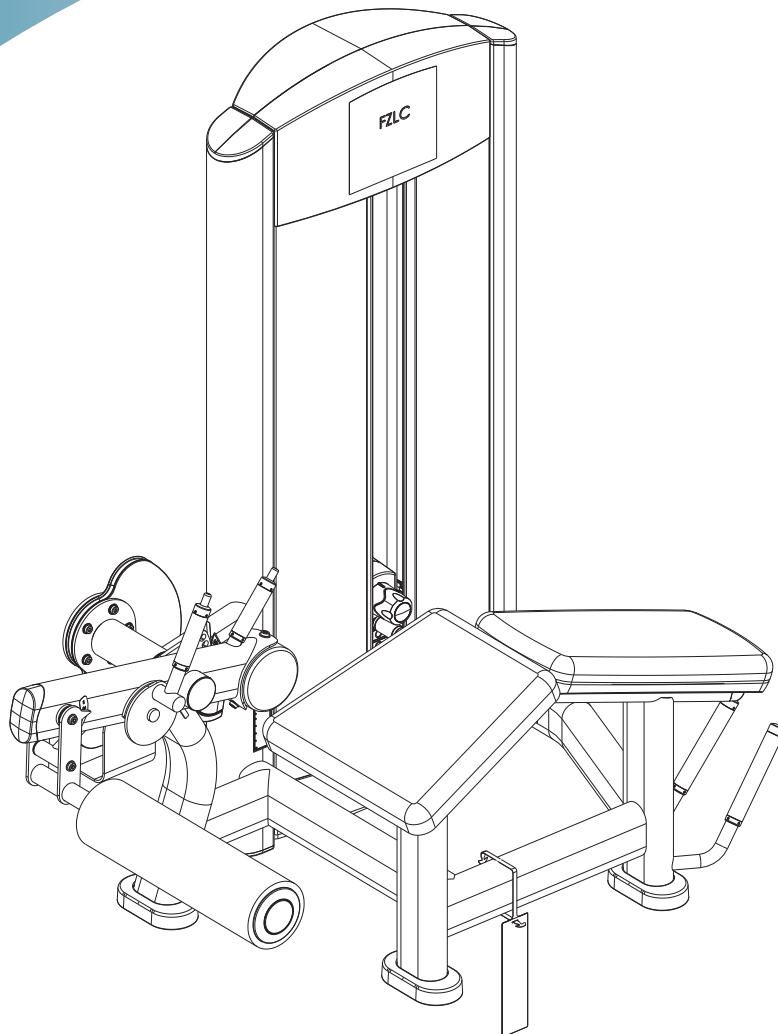


Signature Series Single Station Leg Curl

FZLC

Parts List



FZLC LEG CURL

CONTENTS

FRAME AND UPHOLSTERY COLORS..... 3

SHROUD OPTIONS..... 4

PAINTED FRAME COMPONENTS..... 5

COMPONENT ASSEMBLY..... 6

COMPONENT ASSEMBLY II..... 7

COMPONENT ASSEMBLY LEGEND..... 8

STANDARD PLASTIC TOWER ASSEMBLY..... 9

OPTIONAL WRAPPED SHROUDS..... 10

STANDARD MID-9 WEIGHT STACK ASSEMBLY..... 11

5 LB. INCREMENT WEIGHT ASSEMBLY..... 12

10 LB. INCREMENT WEIGHT ASSEMBLY..... 13

15 LB. INCREMENT WEIGHT ASSEMBLY..... 14

OPTIONAL MID-LIGHT 9 WEIGHT STACK ASSEMBLY... 15

OPTIONAL 2.5 LB. INCREMENT WEIGHT ASSY. 16

OPTIONAL 5 LB. INCREMENT WEIGHT ASSY. 17

OPTIONAL 7.5 LB. INCREMENT WEIGHT ASSY. 18

HEAD PLATE ASSEMBLY..... 19

HEAD PLATE ASSEMBLY LEGEND..... 20

IMAGE..... 21

FZLC LEG CURL FRAME AND UPHOLSTERY COLORS

Strength Frame Colors



Platinum



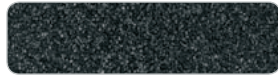
White



Black



Ice Blue Metallic



Midnight Metallic



Nickel



Blue



Red



Yellow



Candy Apple Red

Note: Include frame color in order notes when ordering frame assemblies or weldments.

Strength Upholstery Colors



American Beauty Red 07



Azure 20



Black 01



Cranberry 04



Graphite 22



Hunter Green 13



Regimental Blue 14



Royal Blue 02



Slate 03



Wheat 21



Burgundy 29



Candy Apple Red 28



Chestnut 34



Concord 16



Crocus 19



Dove Gray 37



Emerald 27



Grotto 25



Gun Metal 39



Imperial Blue 33



Jade 26



Navy 32



Northwoods Green 05



Paprika 35



Plum 30



Putty 38



Space Blue 06



Suede 08



Terra Cotta 36



Turquoise 17

Note: Replace XX with above color suffix when ordering pads (ie. 74123XX = 7412301 Black)
Use 99 suffix for custom upholstery.

FZLC LEG CURL SHROUD OPTIONS

STANDARD SHROUD NO WRAP



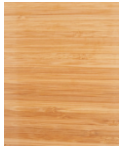
TRANSLUCENT



OPTIONAL StackWraps™

SHROUD + WRAP

BAMBOO



BRONZE



ROSEWOOD



SKY



STAINLESS
STEEL



STEM



CO-BRANDED StackWraps™

SHROUD + WRAP

(refer to co-branded parts list)



PLANET FITNESS



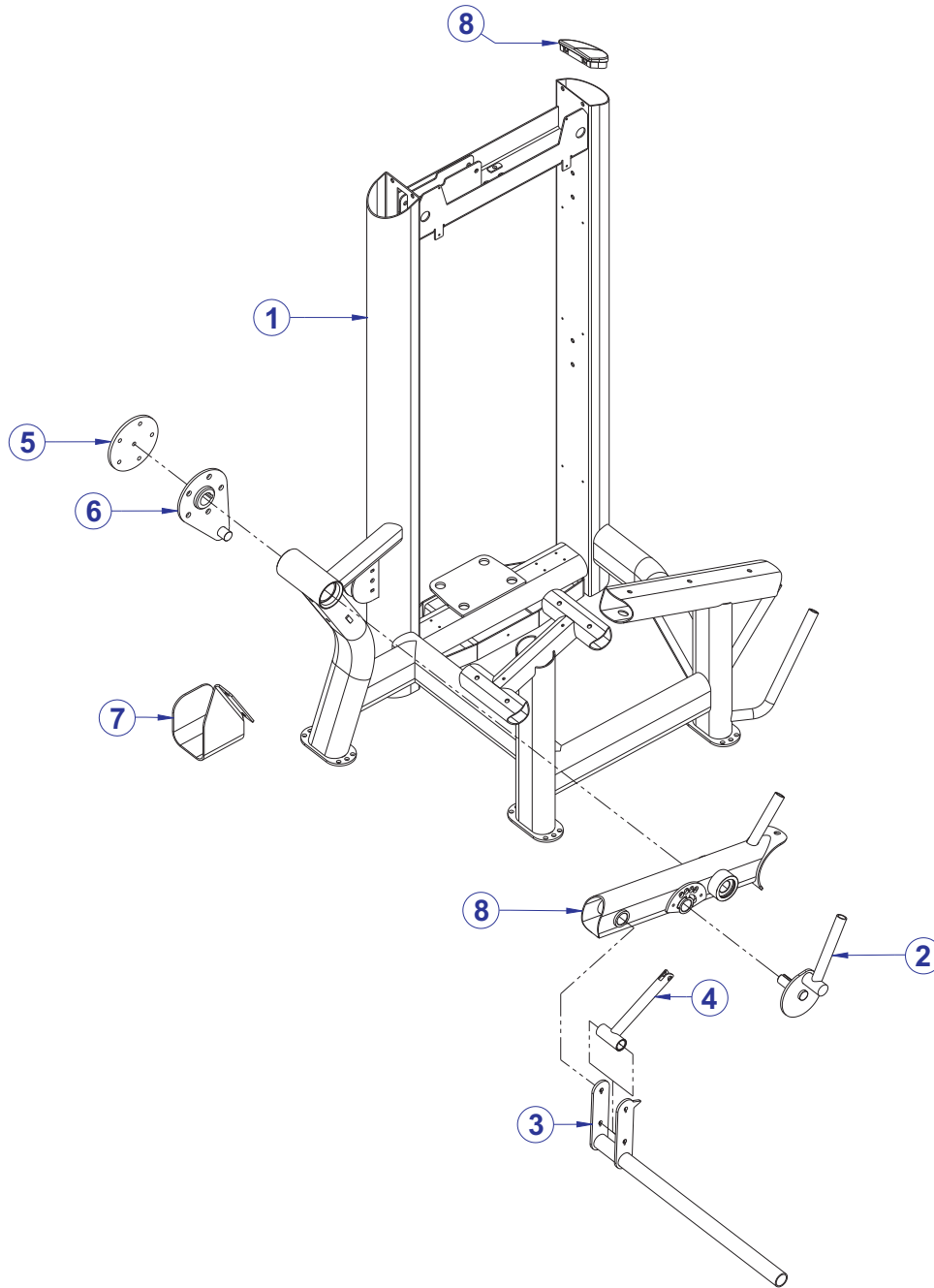
BLINK FITNESS



RETRO FITNESS



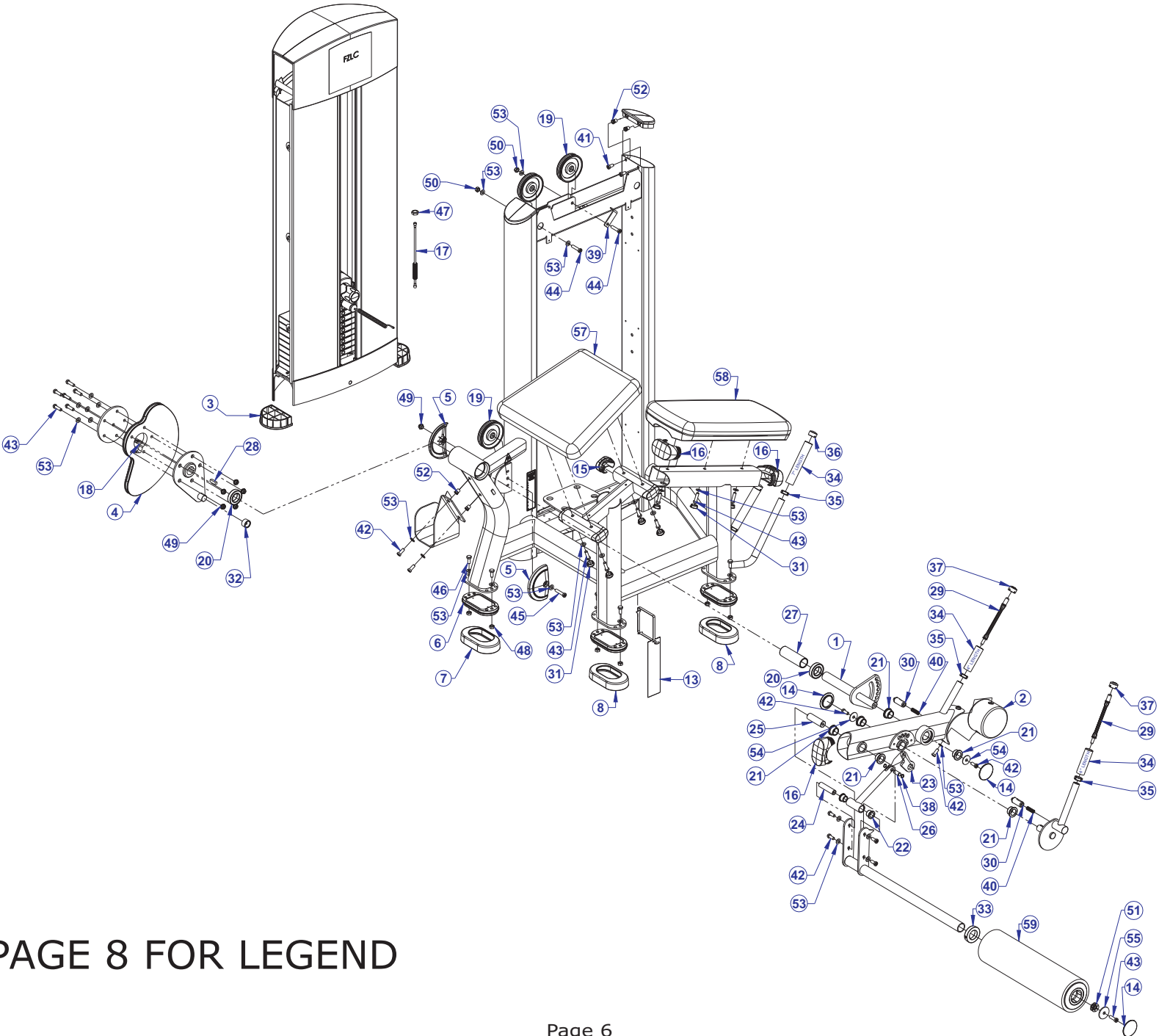
FZLC LEG CURL PAINTED FRAME COMPONENTS



ITEM NO.	QTY.	PART NO.	DESCRIPTION	FRAME COLOR
1	1	RMA	WLDMT, FZLC, FRAME	ANY
2	1	8902000	WLDMT, FZLC, TIBIA ADJ HANDLE	ANY
3	1	8902100	WLDMT, FZLC, ROLLER PAD SPprt	ANY
4	1	7324501	WLDMT, FZLE, TIBIA ADJ LINK	ANY
5	1	7329101	PLATE, FZ, CAM COVER	ANY
6	1	8899200	WLDMT, FZLC, CAM SPprt	ANY
7	1	8899101	BRKT, FZLC, CAM GUARD	ANY
8	1	7320701	WLDMT, FZLE, PIVOT ARM	ANY
9	2	7326201	CAP, D-TUBE-TOP	ANY

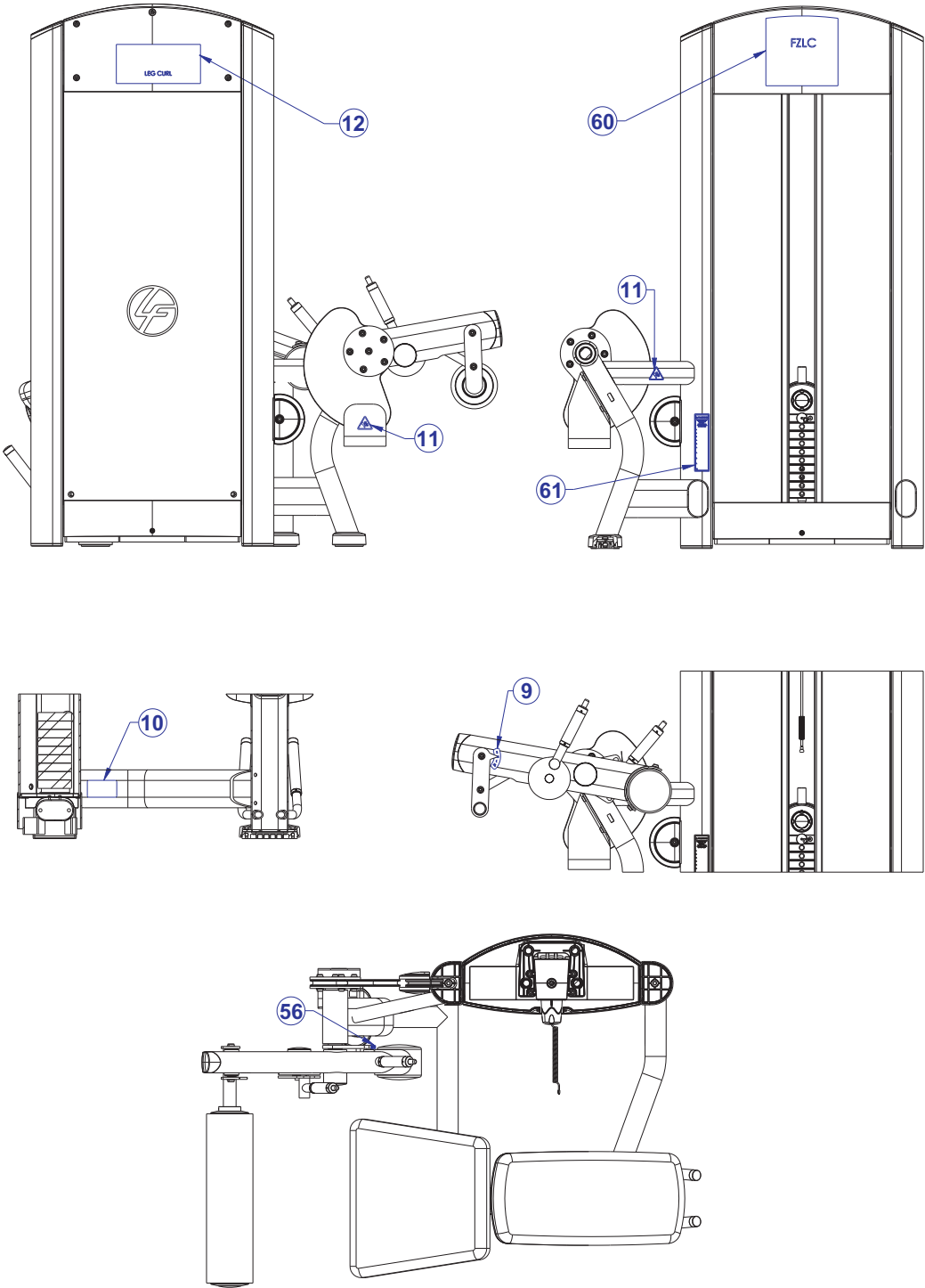
INCLUDE DESIRED PAINT COLOR IN PICK SLIP NOTES FOR ABOVE ITEMS

FZLC LEG CURL COMPONENT ASSEMBLY



SEE PAGE 8 FOR LEGEND

FZLC LEG CURL COMPONENT ASSEMBLY II



SEE PAGE 8 FOR LEGEND

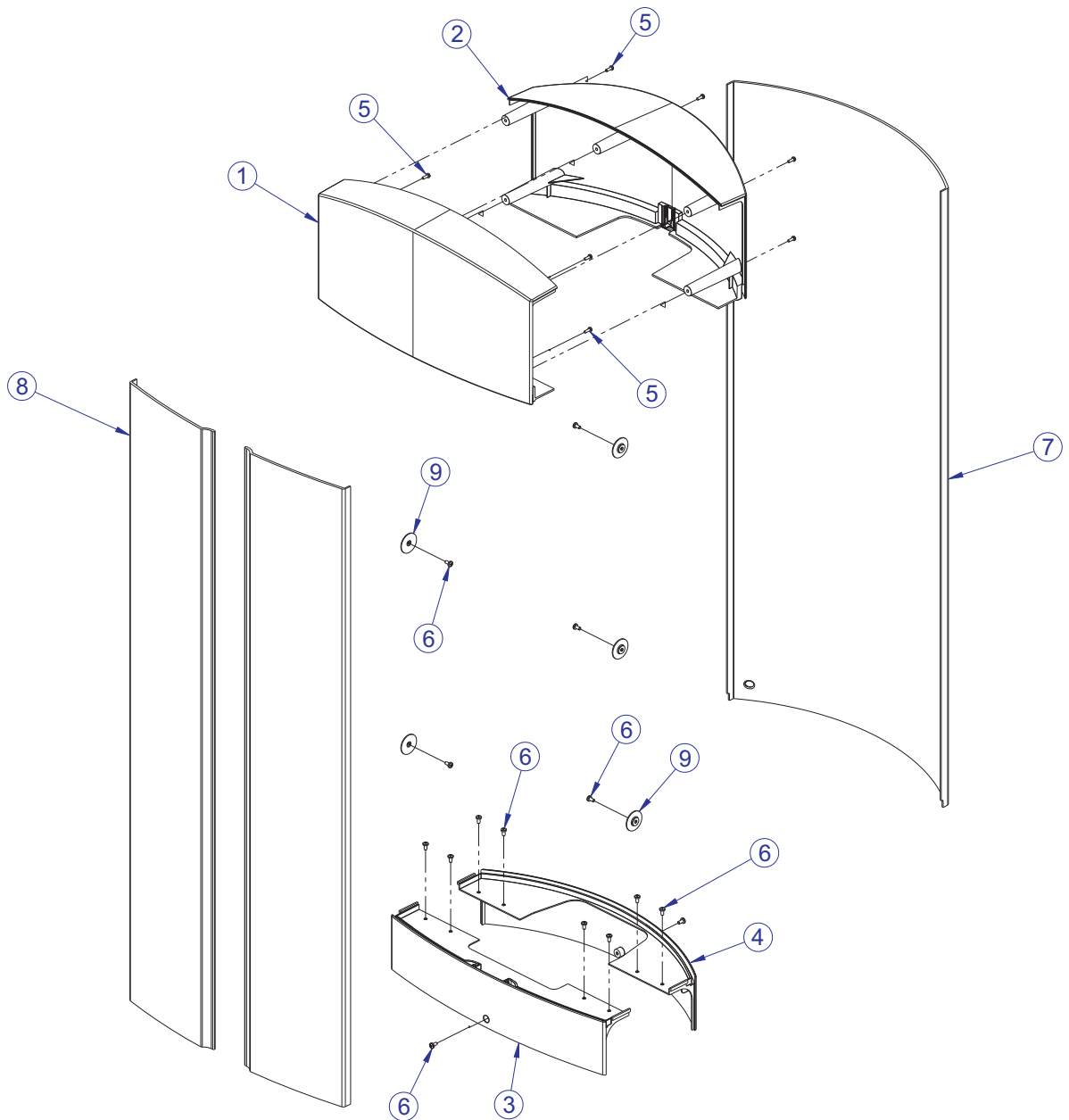
FZLC LEG CURL COMPONENT ASSEMBLY

ITEM NO.	QTY.	PART NO.	DESCRIPTION
1	1	8899001	WLDMT, FZLC ADJ START
2	1	7801901	COUNTER WEIGHT, SMALL - COATED
3	2	7326301	CAP, D-TUBE-BTM
4	1	8897601	CAM, FZLC
5	2	8094101	COVER, PULLEY-BOLTED PARTIAL
6	3	7334001	FOOT, 2.50 X 4.49 FLOV
7	1	7419601	COVER, FOOT-20 DEG.
8	2	7340201	COVER, FOOT - STRAIGHT
9	1	7524201	LABEL, S-XL CURVED
10	1	7571301	LABEL, SERIAL NUMBER, BLANK
11	2	8039501	LABEL, WARNING, TRIANGLE
12	1	8901701	LABEL, FZLC LOGO
13	1	8343101	TAG, BOLT TO FLOOR
14	3	7308701	CAP, BEARING HOUSING
15	4	7333801	CAP, SMALL FLOV- END
16	3	7333901	CAP, LARGE FLOV- END
17	1	7423726	CABLE, FZLC 123-1/2
18	1	7342201	PLATE, CABLE END
19	3	3237801	PULLEY, 4.5" OD
20	2	3243201	BEARING, 6007 BALL
21	6	3104903	1.00" ID 1.25" OD BRONZE BUSHING
22	2	3104901	.75" ID 1.00" OD BRONZE BUSHING
23	1	7329601	PLATE, TIBIA LINK
24	1	7324801	SHAFT, TAPPED 0.75 DIA X 3.330
25	1	7324901	SHAFT, TAPPED 1 DIA X 3.330
26	1	7331702	SHAFT, PIVOT X 1.040
27	1	7511504	SPACER, FZ/PS INTERNAL 4.845
28	1	7511601	KEY, .375 SQUARE X 1.25
29	2	7780101	ROD, PUSH PIN, SHADOW GRAY
		7780103	ROD, PUSH PIN, YELLOW
30	2	8032401	PIN, PUSH
31	7	3237403	PLUG, 1" HOLE
32	1	7690101	BUMPER, SLEEVE - 1 INCH DIA
33	1	7357901	SHAFT COLLAR, 1-1/2" ID ALUM
34	4	3235801	GRIP, 1.25" OD X 4" FZLE, FZSLC, FZCE
35	4	7662801	RING, GRIP 1.25 OD
36	2	7662901	CAP, GRIP 1.25 OD
37	2	7663001	CAP, GRIP W/HOLE 1.25 OD
38	2	3232409	RING, RETAINING, EXTERNAL
39	1	6757701	CLIP, CABLE 2-7/8 X 1 X 1

ITEM NO.	QTY.	PART NO.	DESCRIPTION
40	2	8024501	SPRING, 1/2 OD X 1-1/2
41	4	3236201	SCREW, M10 X1.5 20MM
42	10	3236202	SCREW, M10 X1.5 25MM
43	14	3236204	SCREW, M10 X1.5 35MM
44	2	3236206	SCREW, M10 X1.5 45MM
45	1	3236207	SCREW, M10 X1.5 50MM
46	6	3251202	SCREW, M10 X1.5 X 25MM UNS HEX CS ST ZN
47	1	3236902	NUT, HEX JAM M16 X 2 SS
48	6	3254703	NUT, M10 X 1.5 HEX ZINC
49	6	7335401	NUT, M10 X 1.5 SOCKET HEAD
50	2	3236801	NUT, M10 HEX NYLOCK SS
51	1	7347301	NUT, SPIDER M10 X 1.5
52	6	3238601	M10X1.5 BLIND THREADED INSERT (HEX)
53	31	3236601	WASHER, 3/8 SAE SS
54	2	3236701	WASHER, FENDER 3/8" ID X 1.5" OD SS
55	1	7322301	PLATE, 1.97 OD X .44 ID 10GA
56	1	8944701	LABEL, -3-4 STRAIGHT
57	1	73991XX	PAD, SEAT 17 X 18-5/8
58	1	78140XX	PAD, 24 X 11 FLAT
59	1	73928XX	ASSY, ROLLER PAD LONG
60	1	8901301	LABEL, FZLC PLACARD - ENGLISH
		8901302	LABEL, FZLC PLACARD - GERMAN
		8901303	LABEL, FZLC PLACARD - FRENCH
		8901304	LABEL, FZLC PLACARD - SPANISH
		8901305	LABEL, FZLC PLACARD - ITALIAN
		8901306	LABEL, FZLC PLACARD - DUTCH
		8901307	LABEL, FZLC PLACARD - JAPANESE
		8901308	LABEL, FZLC PLACARD - PORTUGUESE
		8901310	LABEL, FZLC PLACARD - RUSSIAN
		8901311	LABEL, FZLC PLACARD - TURKISH
		61	1
8220002	LABEL, ASTM, SELECT VERT-GERMAN		
8220003	LABEL, ASTM, SELECT VERT-FRENCH		
8220004	LABEL, ASTM, SELECT VERT-SPANISH		
8220005	LABEL, ASTM, SELECT VERT-ITALIAN		
8220006	LABEL, ASTM, SELECT VERT-DUTCH		
8220007	LABEL, ASTM, SELECT VERT-JAPANESE		
8220008	LABEL, ASTM, SELECT VERT-PORTUGUESE		
8220010	LABEL, ASTM, SELECT VERT-RUSSIAN		
8220011	LABEL, ASTM, SELECT VERT-TURKISH		

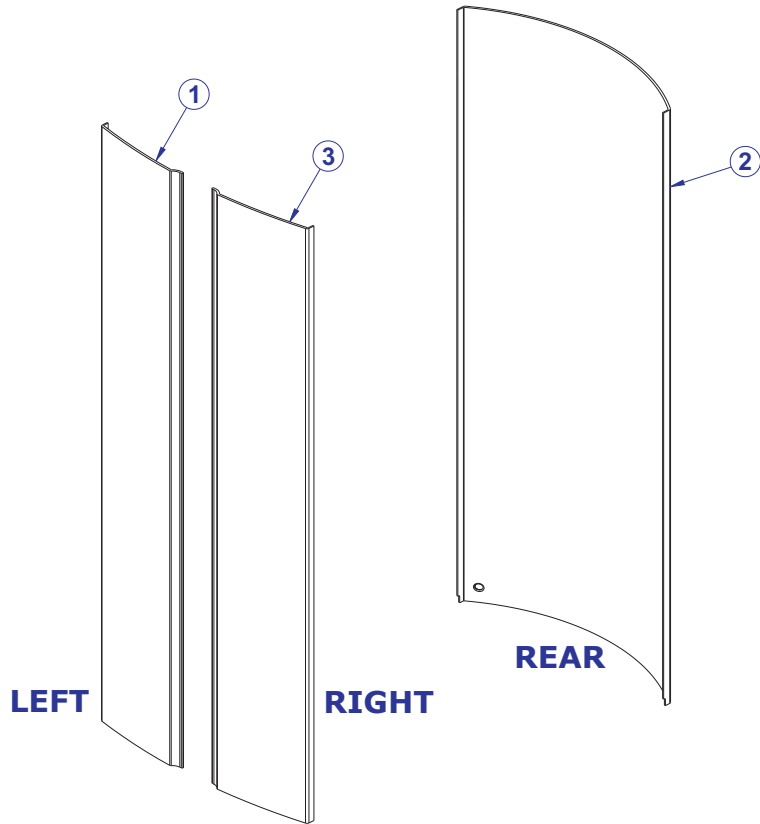
ITEMS ENDING IN XX ARE COLOR SPECIFIC. SEE PAGE 3 FOR COLOR CHART


FZLC LEG CURL STANDARD PLASTIC TOWER ASSEMBLY - 7419801





ITEM NO.	QTY.	PART NO.	DESCRIPTION
1	1	7318601	COVER, TOWER- TOP FRONT
2	1	7318701	COVER, TOWER- TOP REAR
3	1	7318801	COVER, TOWER- BOTTOM FRONT
4	1	7318901	COVER, TOWER- BOTTOM REAR
5	9	3236501	M4 X 0.7 PHL PAN MS ST ZN
6	16	3239101	SCREW, M5X10 PHL PAN TT ST
7	1	7765701	SHROUD, TOWER- REAR SHORT
8	2	7765601	SHROUD, TOWER- FRT SHORT RH
9	6	7583501	RETAINER, FZ SHROUD


FZLC LEG CURL OPTIONAL WRAPPED SHROUDS





BAMBOO		ITEM NO.	QTY.	PART NO.	DESCRIPTION
		1	1	8954201	SHROUD, FZ, FNT, SRT, LT -BAMBOO
		2	1	8949101	SHROUD, FZ, REAR, SRT -BAMBOO
		3	1	8949001	SHROUD, FZ, FNT, SRT, RT -BAMBOO

SKY		ITEM NO.	QTY.	PART NO.	DESCRIPTION
		1	1	8954301	SHROUD, FZ, FNT, SRT, LT -SKY
		2	1	8949301	SHROUD, FZ, REAR, SRT -SKY
		3	1	8949201	SHROUD, FZ, FNT, SRT, RT -SKY

BRONZE		ITEM NO.	QTY.	PART NO.	DESCRIPTION
		1	1	8954401	SHROUD, FZ, FNT, LT - BRONZE
		2	1	8949501	SHROUD, FZ, REAR -BRONZE
		3	1	8949401	SHROUD, FZ, FNT, SRT, RT -BRONZE

STEM		ITEM NO.	QTY.	PART NO.	DESCRIPTION
		1	1	8954501	SHROUD, FZ, FNT, SRT, LT -STEM
		2	1	8949701	SHROUD, FZ, REAR, SRT -STEM
		3	1	8949601	SHROUD, FZ, FNT, SRT, RT -STEM

ROSEWOOD		ITEM NO.	QTY.	PART NO.	DESCRIPTION
		1	1	8954601	SHROUD, FZ, FNT, SRT, LT -ROSEWOOD
		2	1	8949901	SHROUD, FZ, REAR, SRT -ROSEWOOD
		3	1	8949801	SHROUD, FZ, FNT, SRT, RT -ROSEWOOD

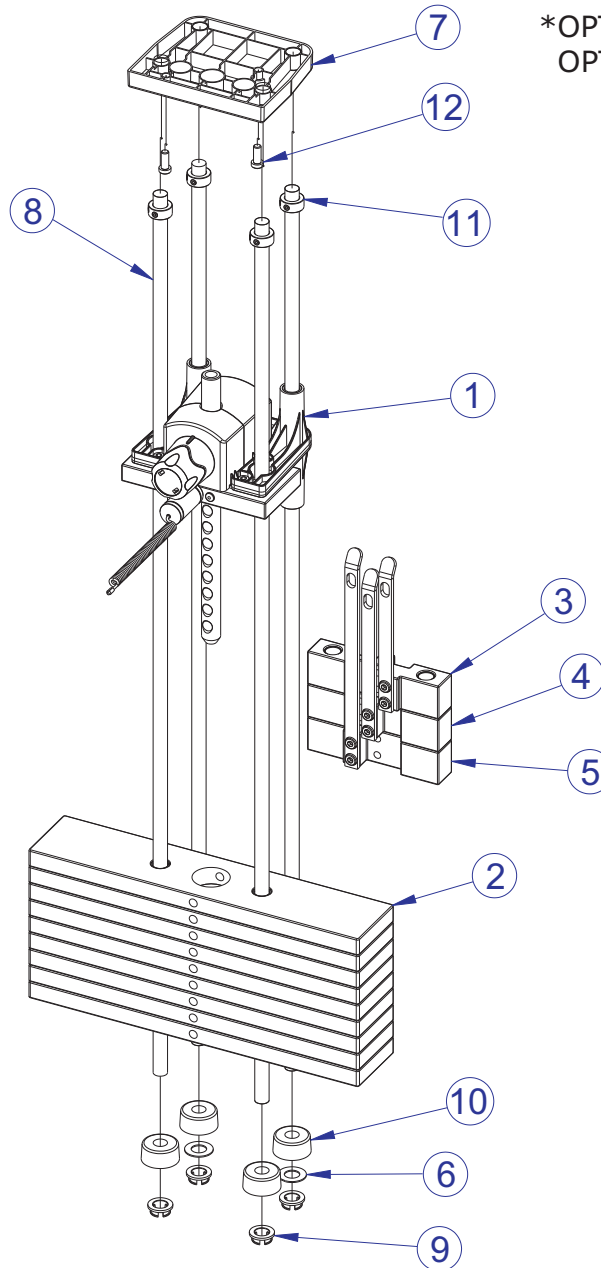
STAINLESS STEEL		ITEM NO.	QTY.	PART NO.	DESCRIPTION
		1	1	8954701	SHROUD, FZ, FNT, SRT, LT -STAINLESS STEEL
		2	1	8950101	SHROUD, FZ, REAR, SRT -STAINLESS STEEL
		3	1	8950001	SHROUD, FZ, FNT, SRT, RT-STAINLESS STEEL

FZLC LEG CURL STANDARD MID-9 WEIGHT STACK ASSEMBLY

WEIGHT STACK LABELS

7927201	LABEL, 390 LB STACK
7927301	LABEL, 195 KG STACK

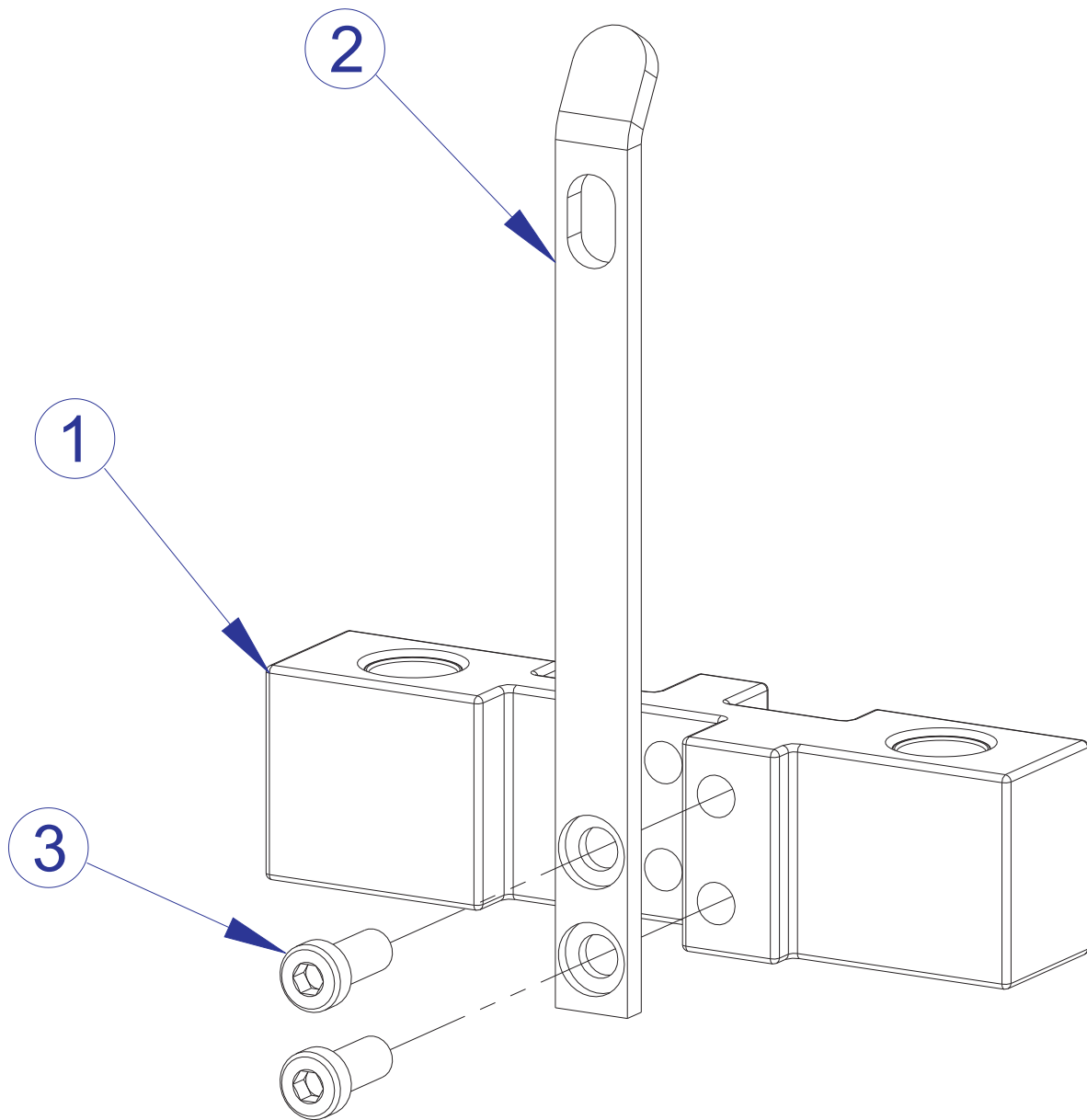
*OPTIONAL LIGHT WEIGHT STACK
OPTION SHOWN ON PAGE 15



ITEM NO.	QTY.	PART NO.	DESCRIPTION
1	1	7350601	ASSY, HEAD PLATE (9)
2	9	7328401	WEIGHT PLATE, 20 LB
3	1	7327601	ASSY, INCREMENT WT-5LB
4	1	7327701	ASSY, INCREMENT WT-10LB
5	1	7327801	ASSY, INCREMENT WT-15LB
6	2	7351001	SPACER, INC WT STACK
7	1	7621101	RETAINER, GUIDE ROD-TOP
8	4	7328602	GUIDE ROD,.75 OD SOLID X 53.50
9	4	7337901	BUSHING, GUIDE ROD
10	4	7352101	CUSHION, WEIGHT STACK
11	4	3103301	SHAFT COLLAR, 3/4" ID ZINC
12	2	3236202	M10 X 1.5 X 25 HXS SOC CS SS

FZLC LEG CURL

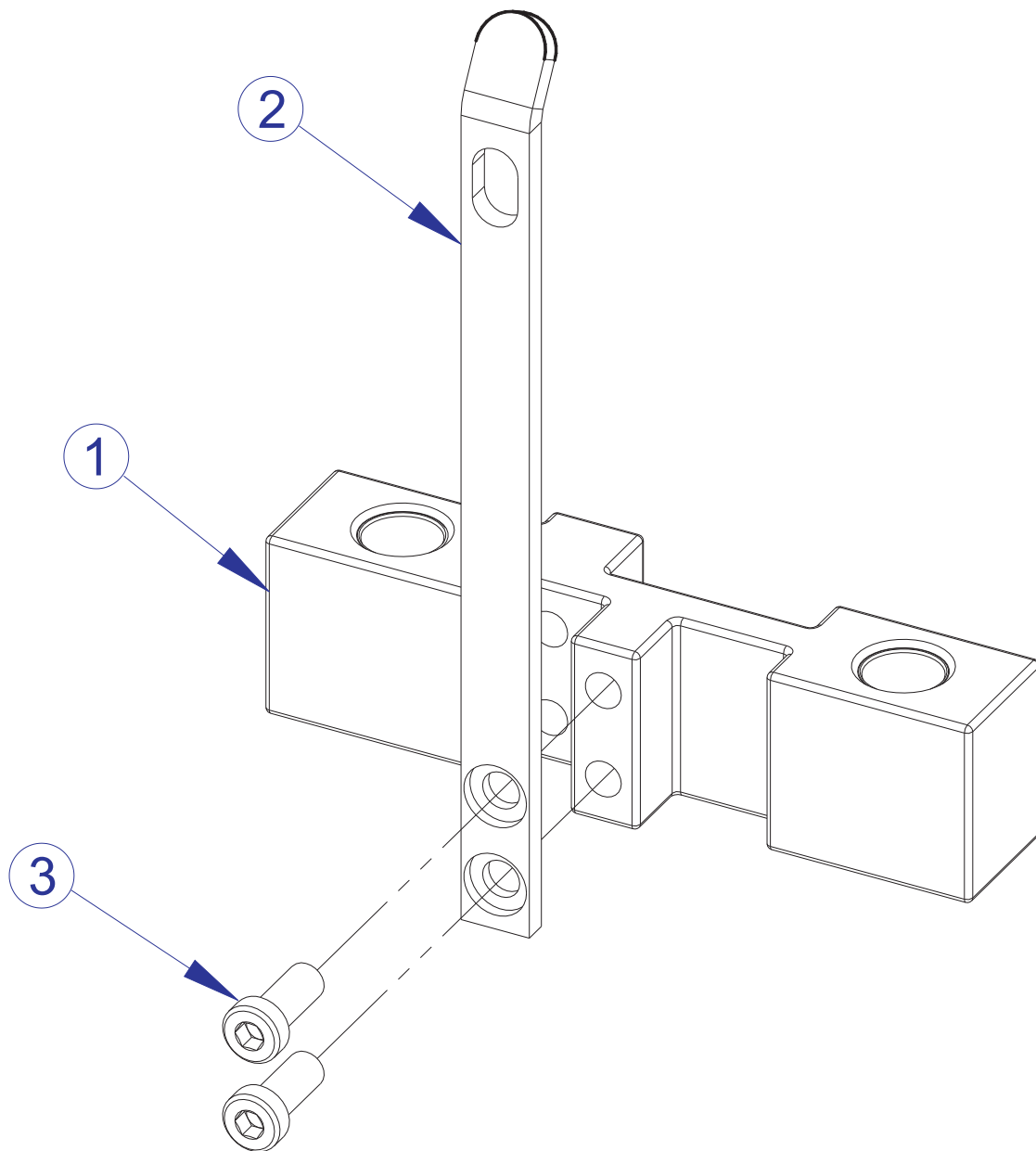
5 LB. INCREMENT WEIGHT ASSEMBLY - 7327601



ITEM NO.	QTY.	PART NO.	DESCRIPTION
1	1	7968501	ASSY, FZ INC WEIGHT 5LB
2	1	7328001	BRKT, INCREMENT WT - 5 LB
3	2	3236202	SCREW, M10 X1.5 25MM

FZLC LEG CURL

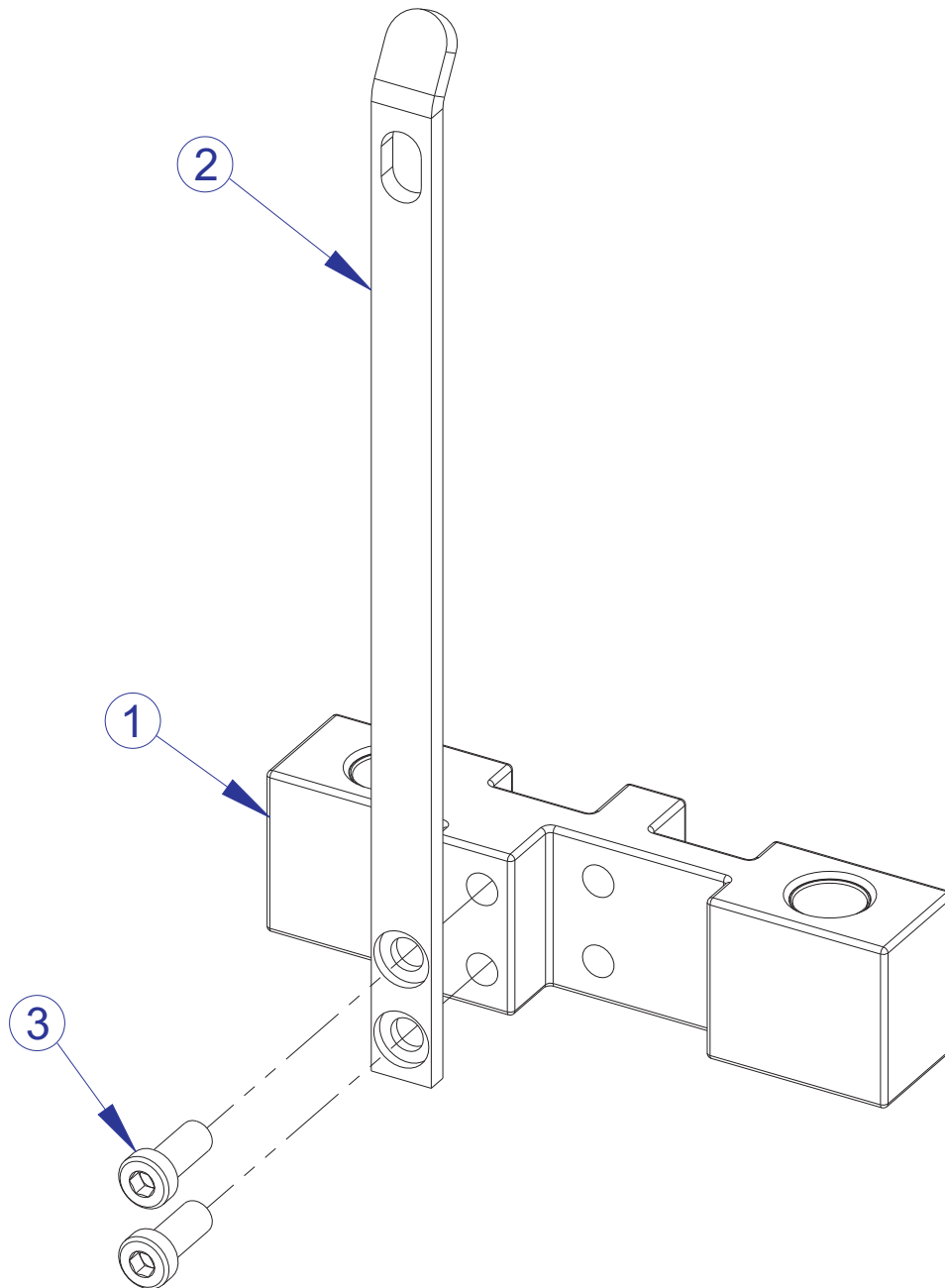
10 LB. INCREMENT WEIGHT ASSEMBLY - 7327701



ITEM NO.	QTY.	PART NO.	DESCRIPTION
1	1	7968501	ASSY, FZ INC WEIGHT 5LB
2	1	7328101	BRKT, INCREMENT WT - 10 LB
3	2	3236202	SCREW, M10 X1.5 25MM

FZLC LEG CURL

15 LB. INCREMENT WEIGHT ASSEMBLY - 7327801

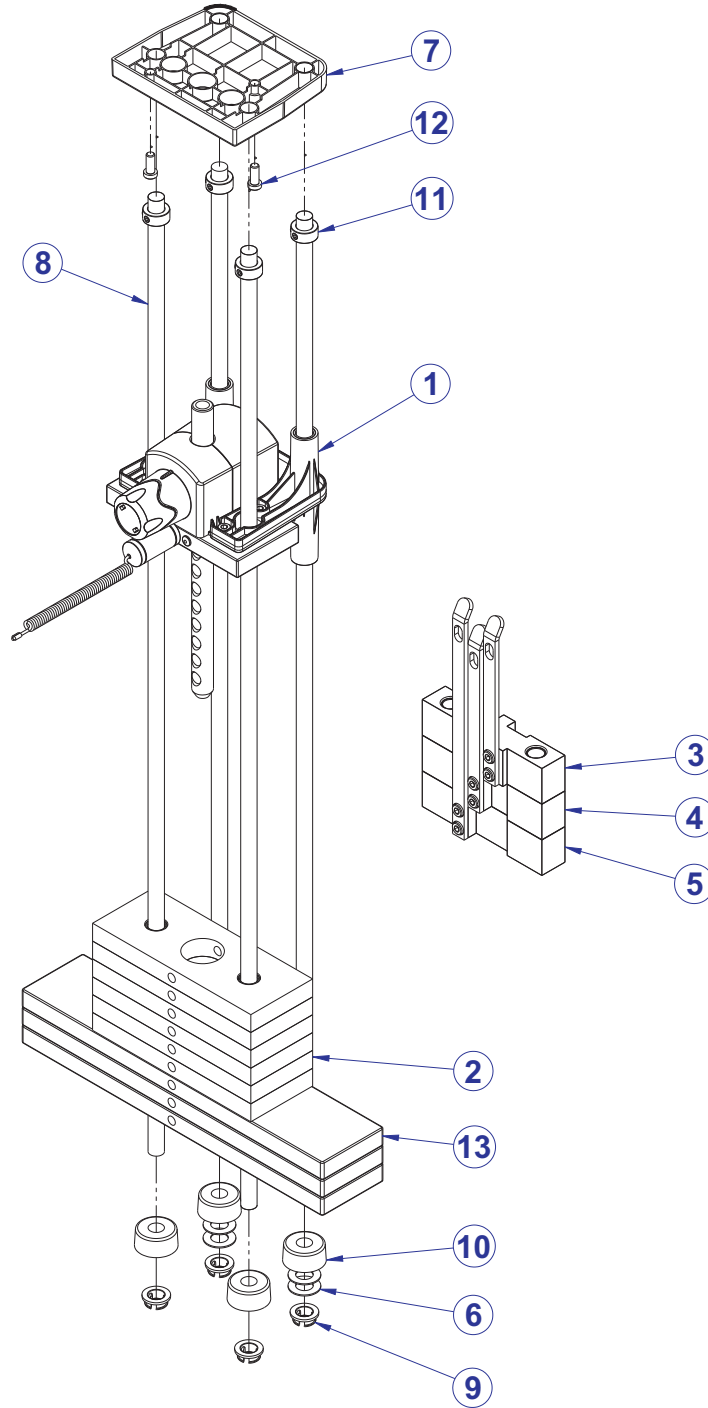


ITEM NO.	QTY.	PART NO.	DESCRIPTION
1	1	7968501	ASSY, FZ INC WEIGHT 5LB
2	1	7328201	BRKT, INCREMENT WT - 15 LB
3	2	3236202	SCREW, M10 X1.5 25MM

FZLC LEG CURL

OPTIONAL MID LIGHT-9 WEIGHT STACK ASSY.

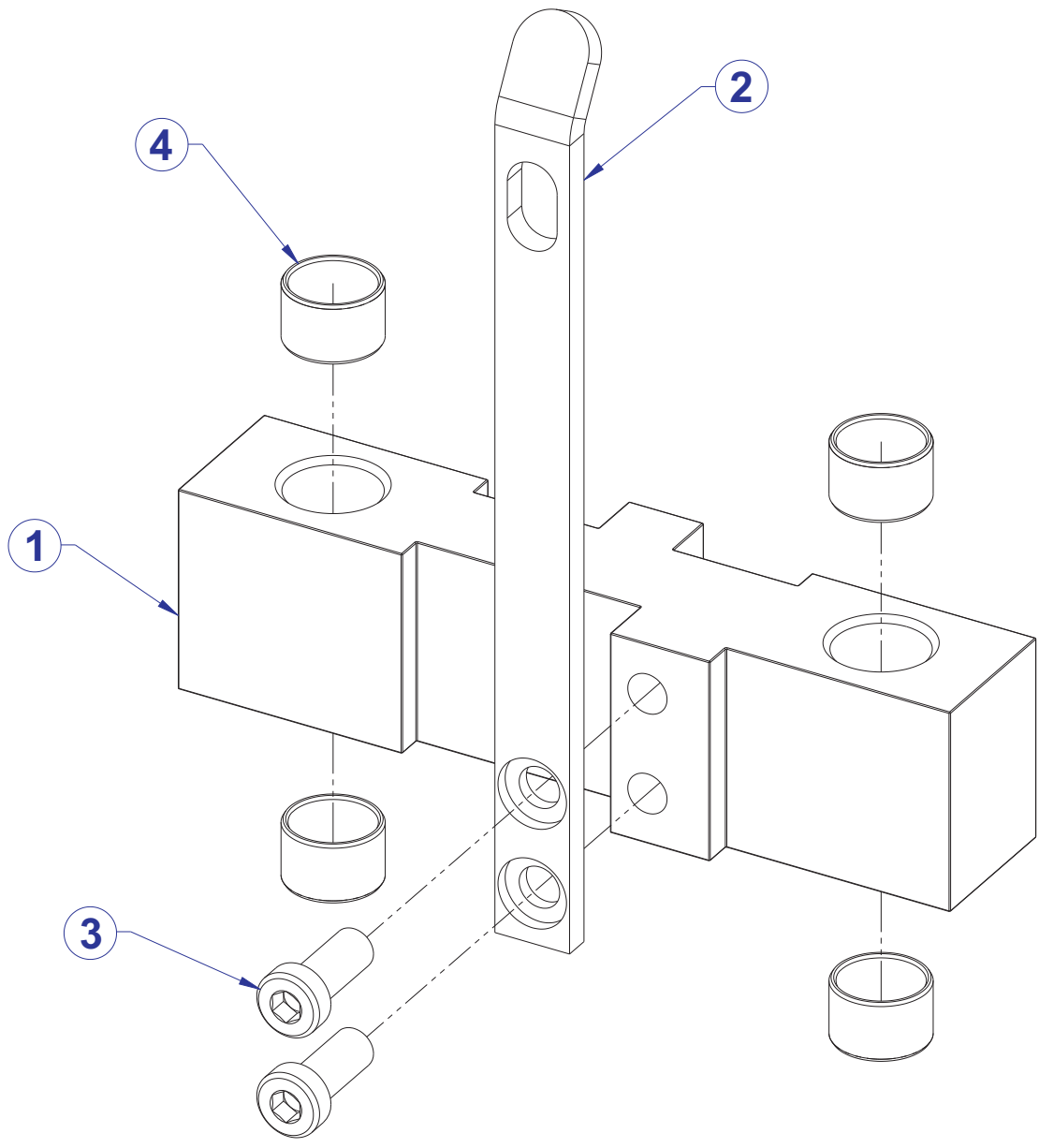
WEIGHT STACK LABELS	
8867101	LABEL, 190 LB STACK



ITEM NO.	QTY.	PART NO.	DESCRIPTION
1	1	7350601	ASSY, HEAD PLATE (9)
2	6	7353701	ASSY, 10 LB PLATE
3	1	8861301	ASSY, FZ INC WEIGHT - 2.5 LB
4	1	8861401	ASSY, FZ INC WEIGHT - 5 LB
5	1	8861501	ASSY, FZ INC WEIGHT - 7.5 LB
6	4	7351001	SPACER, INC WT STACK
7	1	7621101	RETAINER, GUIDE ROD - TOP
8	4	7328602	GUIDE ROD, .75 OD SOLID 53.50
9	4	7337901	BUSHING, GUIDE ROD
10	4	7352101	CUSHION, WEIGHT STACK
11	4	3103301	SHAFT COLLAR, 3/4 I.D. ZINC
12	2	3236202	SCREW, M10 X1.5 25MM
13	3	7328401	WEIGHT PLATE, 20 LB

FZLC LEG CURL

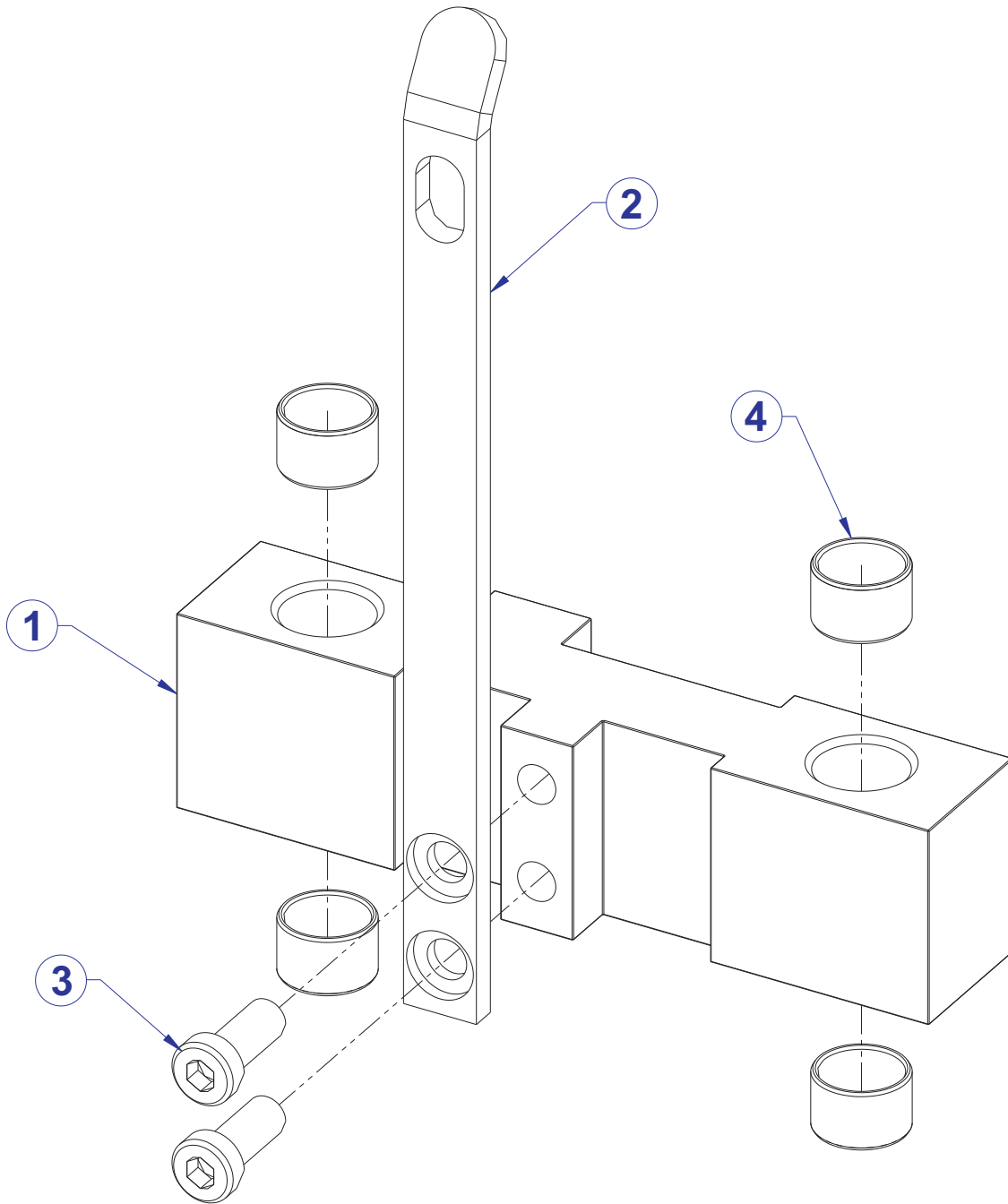
OPTIONAL 2.5 LB. INCREMENT WEIGHT ASSY. - 8861301



ITEM NO.	QTY.	PART NO.	DESCRIPTION
1	1	8861295	INCREMENT WEIGHT, FZ OPTIONAL - SG
2	1	7328001	BRKT, INCREMENT WT - 5 LB
3	2	3236202	SCREW, M10 X1.5 25MM
4	4	3202501	BEARING, SLEEVE 20 ID X 23.00 X 15 MM

FZLC LEG CURL

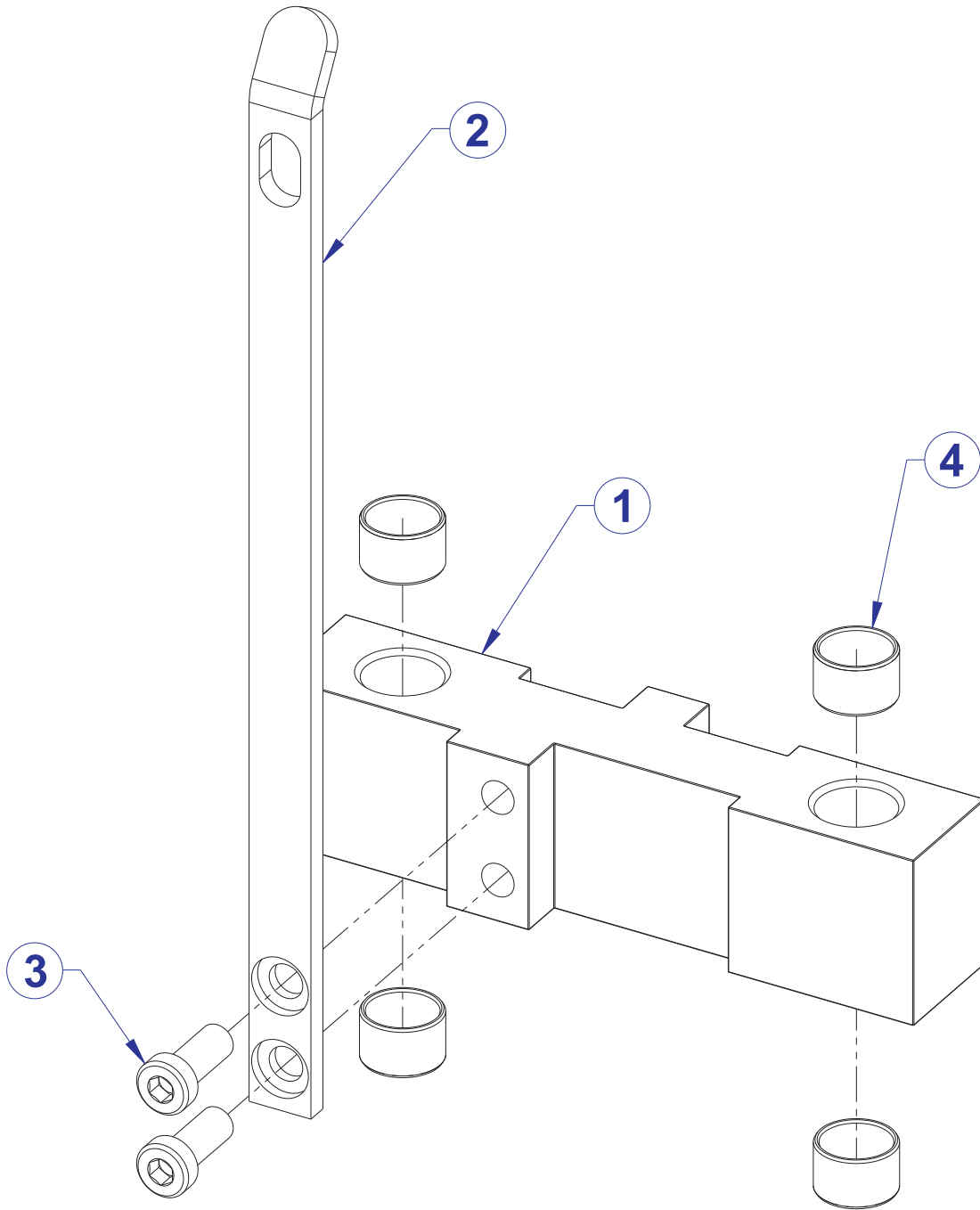
OPTIONAL 5 LB. INCREMENT WEIGHT ASSY. - 8861401



ITEM NO.	QTY.	PART NO.	DESCRIPTION
1	1	8861295	INCREMENT WEIGHT, FZ OPTIONAL - SG
2	1	7328101	BRKT, INCREMENT WT - 10 LB
3	2	3236202	SCREW, M10 X1.5 25MM
4	4	3202501	BEARING, SLEEVE 20 ID X 23.00 X 15 MM

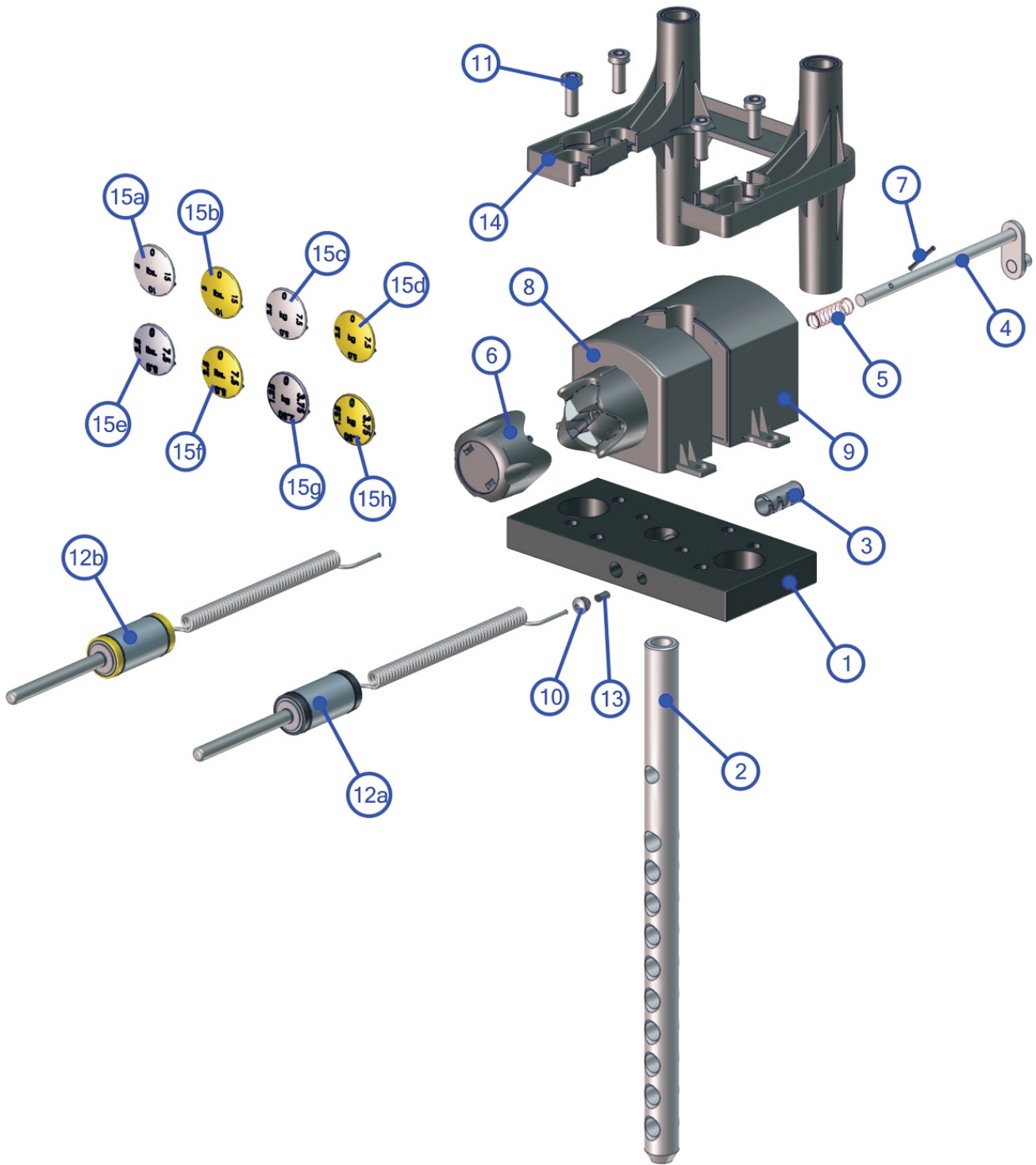
FZLC LEG CURL

OPTIONAL 7.5 LB. INCREMENT WEIGHT ASSY. - 8861501



ITEM NO.	QTY.	PART NO.	DESCRIPTION
1	1	8861295	INCREMENT WEIGHT, FZ OPTIONAL - SG
2	1	7328201	BRKT, INCREMENT WT - 15 LB
3	2	3236202	SCREW, M10 X1.5 25MM
4	4	3202501	BEARING, SLEEVE 20 ID X 23.00 X 15 MM

FZLC LEG CURL HEAD PLATE ASSEMBLY - 7350601



SEE PAGE 20 FOR LEGEND

FZLC LEG CURL HEAD PLATE ASSEMBLY LEGEND

ITEM NO.	QTY.	PART NO.	DESCRIPTION	WHERE USED	
1	1	7326701	HEAD PLATE	-	
2	1	7347801	STEM, 9 PLATE	-	
3	1	3236001	BUSHING, SPRING PIN	-	
4	1	7327201	WLDMT, INCREMENT WT PIN	-	
5	1	8024501	SPRING, 1/2 OD X 1-1/2	-	
6	1	7326101	KNOB, INC WT SELECTOR	-	
7*	1	3110008	ROLL PIN, 1/8 X 1-1/4	-	
8*	1	7326401	HOUSING, SELECTOR - FRONT	-	
9*	1	7326501	HOUSING, SELECTOR - REAR	-	
10	1	7356501	PLUG, LANYARD ATTACHMENT	-	
11	4	3236202	SCREW, M10 X1.5 25MM	-	
12**	a	1	7338101	ASSY, WT STACK SELECTOR PIN-SILVER	-
	b		7338103	ASSY, WT STACK SELECTOR PIN-YELLOW	-
13	1	7523601	CRIMP, CABLE	-	
14	1	8867301	ASSY, FZ, STABILIZER WITH BUSHINGS	-	
15**	a	1	7398601	CAP, SELECTOR KNOB - 5 LBS, SILVER	REG. STACK / LBS.
	b		7398603	CAP, FZ SELECTOR KNOB - 5 LBS, YELLOW	REG. STACK / LBS.
	c		7398701	CAP, FZ SELECTOR KNOB - 2.5 KG, SILVER	REG. STACK / KG.
	d		7398703	CAP, FZ SELECTOR KNOB - 2.5 KG, YELLOW	REG. STACK / KG.
	e		8865801	CAP, FZ SELECTOR KNOB - 2.5 LBS, SILVER	LIGHT STACK / LBS.
	f		8865803	CAP, FZ SELECTOR KNOB - 2.5 LBS, YELLOW	LIGHT STACK / LBS.
	g		8946501	CAP, FZ SELECTOR KNOB - 1.25 KG, SILVER	LIGHT STACK / KG.
	h		8946503	CAP, FZ SELECTOR KNOB - 1.25 KG, YELLOW	LIGHT STACK / KG.

* Kit exists for component set. See bulletin FZ02012701N

** Language specific/Weight stack item. Order separately-not part of assembly.

FZLC LEG CURL IMAGE

