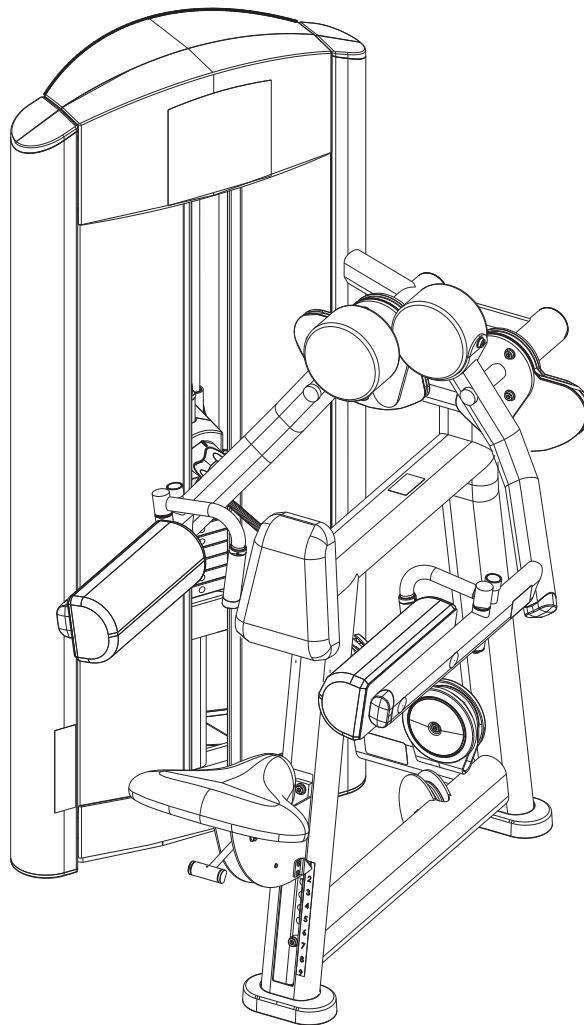


Signature Series Single Station Lat Raise

FZLR

Parts List



FZLR LAT RAISE CONTENTS

FRAME AND UPHOLSTERY COLORS..... 3

SHROUD OPTIONS..... 4

COMPONENT ASSEMBLY..... 5

COMPONENT ASSEMBLY II..... 6

COMPONENT ASSEMBLY LEGEND..... 7

FZ SEAT CARRIAGE ASSEMBLY..... 8

FZ SEAT CARRIAGE ASSEMBLY LEGEND..... 9

FZ ADJUSTER HANDLE ASSEMBLY..... 10

MID-9 SHORT TOWER ASSEMBLY..... 11

PLASTIC TOWER ASSEMBLY..... 12

OPTIONAL WRAPPED SHROUDS..... 13

MID-9 SHORT WEIGHT STACK ASSEMBLY..... 14

5 LB. INCREMENT WEIGHT ASSEMBLY..... 15

10 LB. INCREMENT WEIGHT ASSEMBLY..... 16

15 LB. INCREMENT WEIGHT ASSEMBLY..... 17

OPTIONAL MID-9 SHORT LIGHT WEIGHT STACK ASSEMBLY..... 18

OPTIONAL 2.5 LB. INCREMENT WEIGHT ASSEMBLY..... 19

OPTIONAL 5 LB. INCREMENT WEIGHT ASSEMBLY..... 20

OPTIONAL 7.5 LB. INCREMENT WEIGHT ASSEMBLY..... 21

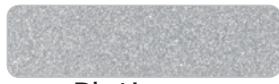
HEAD PLATE ASSEMBLY..... 22

HEAD PLATE ASSEMBLY LEGEND..... 23

IMAGE..... 24

FZLR LAT RAISE FRAME AND UPHOLSTERY COLORS

Strength Frame Colors



Platinum



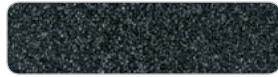
White



Black



Ice Blue Metallic



Midnight Metallic



Nickel



Blue



Red



Yellow



Candy Apple Red

Note: Include frame color in pick-slip notes when ordering frame assemblies or weldments.

Strength Upholstery Colors



American Beauty Red 07



Azure 20



Black 01



Cranberry 04



Graphite 22



Hunter Green 13



Regimental Blue 14



Royal Blue 02



Slate 03



Wheat 21



Burgundy 29



Candy Apple Red 28



Chestnut 34



Concord 16



Crocus 19



Dove Gray 37



Emerald 27



Grotto 25



Gun Metal 39



Imperial Blue 33



Jade 26



Navy 32



Northwoods Green 05



Paprika 35



Plum 30



Putty 38



Space Blue 06



Suede 08



Terra Cotta 36



Turquoise 17

Note: Replace XX with above color suffix when ordering pads (ie. 74123XX = 7412301 Black)
Use 99 suffix for custom upholstery.

FZLR LAT RAISE SHROUD OPTIONS

STANDARD SHROUD NO WRAP



TRANSLUCENT

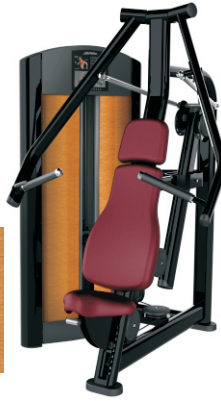


OPTIONAL StackWraps™ SHROUD + WRAP

BAMBOO



BRONZE



ROSEWOOD



SKY



STAINLESS STEEL



STEM



CO-BRANDED StackWraps™

SHROUD + WRAP

(refer to co-branded parts list)



PLANET FITNESS

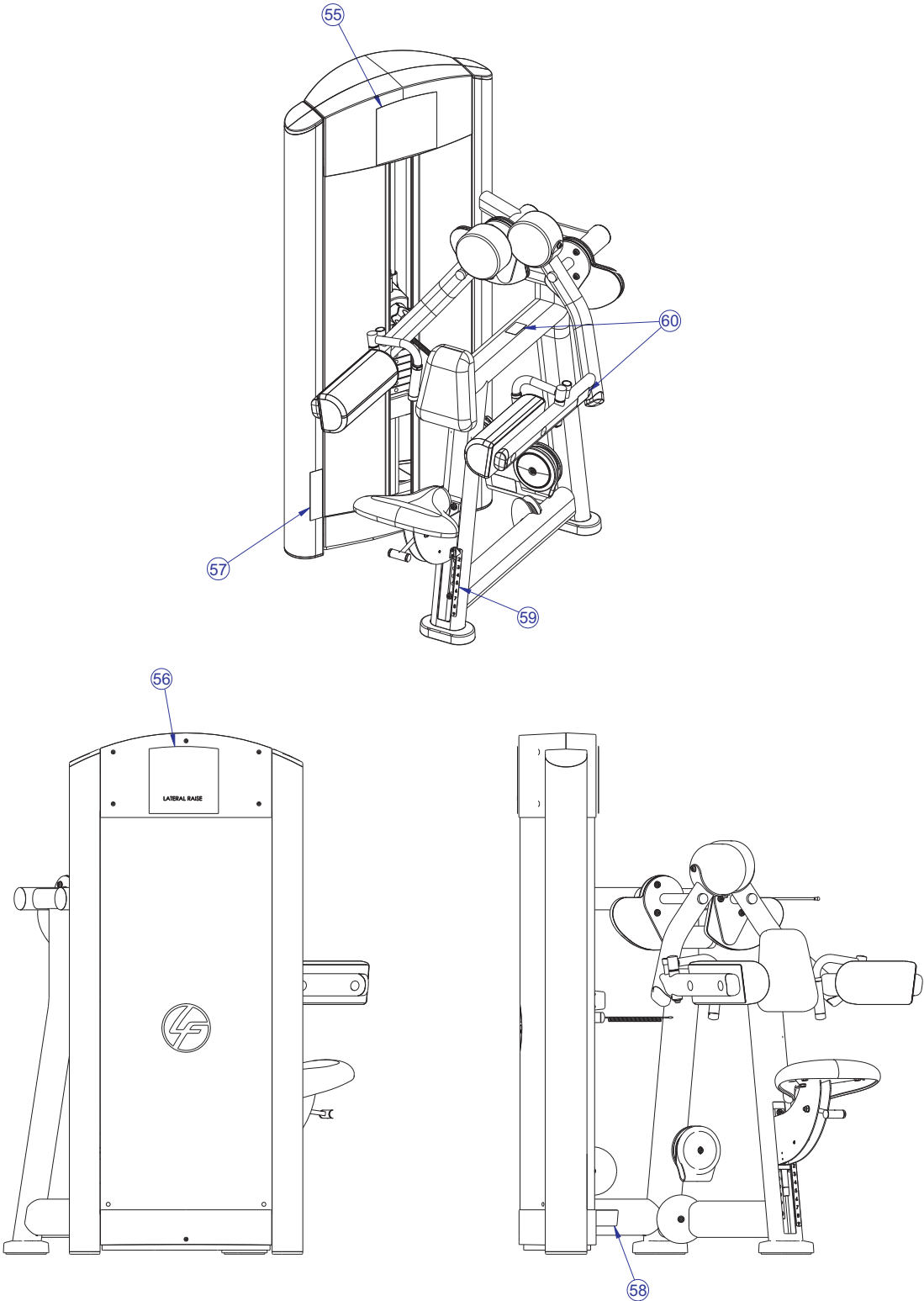


BLINK FITNESS



RETRO FITNESS

FZLR LAT RAISE COMPONENT ASSEMBLY II

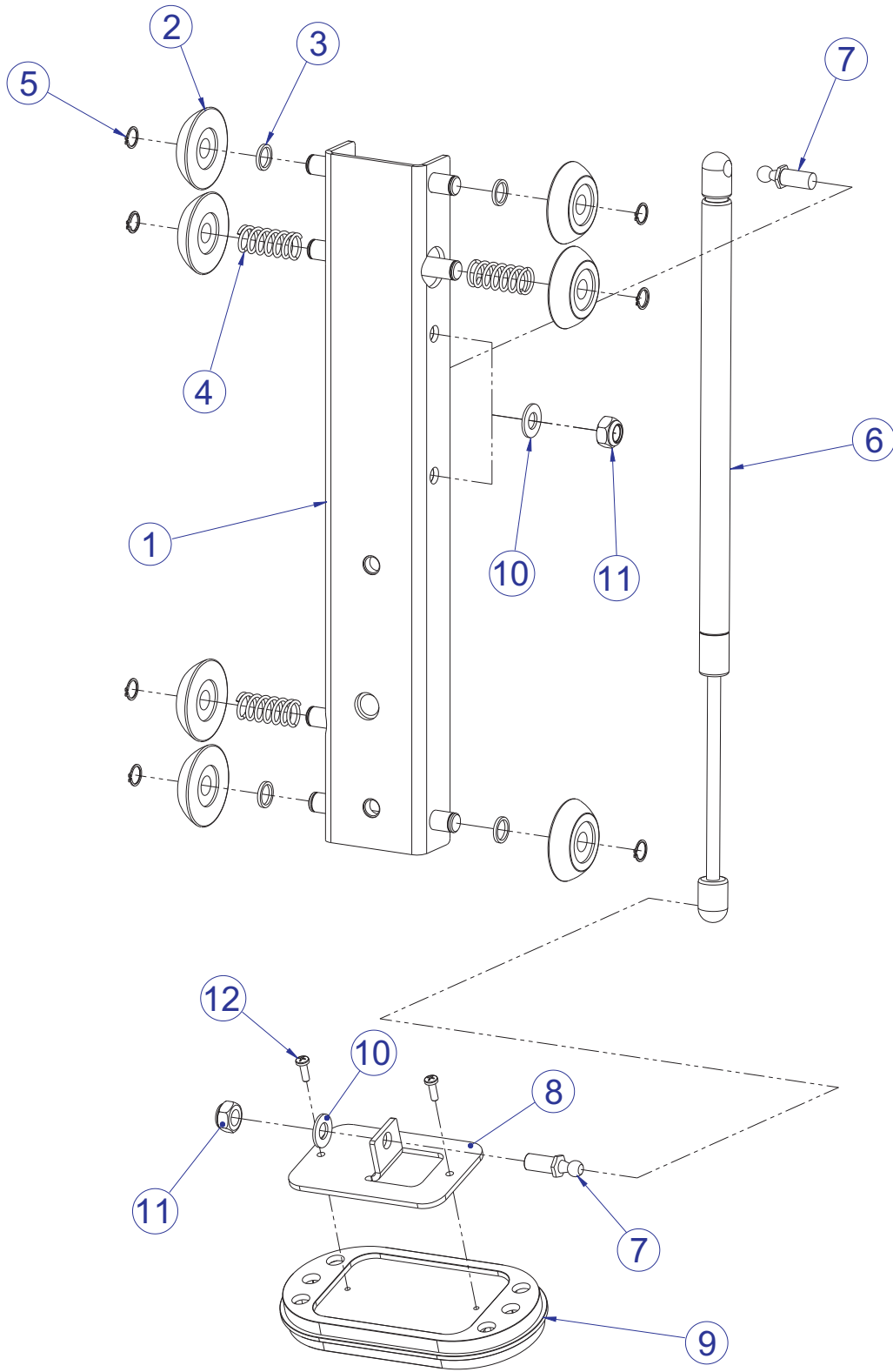


SEE PAGE 7 FOR LEGEND

FZLR LAT RAISE COMPONENT ASSEMBLY LEGEND

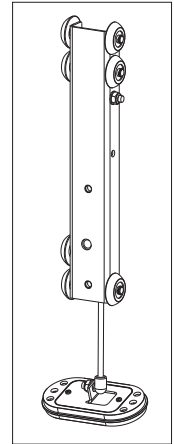
ITEM NO.	QTY.	PART NO.	DESCRIPTION	ITEM NO.	QTY.	PART NO.	DESCRIPTION
1	1		WLDMT, FZLR, FRAME	35	5	3236201	SCREW, M10 X1.5 20MM
2	1	7607801	WLDMT, FZLR, PIVOT ARM RIGHT	36	12	3236202	SCREW, M10 X1.5 25MM
3	1	7608401	WLDMT, FZLR, PIVOT ARM LEFT	37	6	3236204	SCREW, M10 X1.5 35MM
4	2	7608601	WLDMT, FZLR, HANDLE	38	2	3236207	SCREW, M10 X1.5 50MM
5	1	7384701	WLDMT, FZ, SEAT SUPPORT	39	2	7308701	CAP, BEARING HOUSING
6	2	7608901	PLATE, FZLR, ARM PAD	40	2	7342201	PLATE, CABLE END
7	2	7609001	PLATE, FZLR, CAM COVER	41	4	3237403	PLUG, 1" HOLE
8	1	7617101	BRKT, PULLEY, CABLE SLOT	42	3	3236801	NUT, M10 HEX NYLOCK SS
9	1	7911101	ASSY, SEAT CARRIAGE	43	1	3236902	NUT, M16 X 2 HEX JAM SS
10	1	77780XX	ASSY, FZ ADJUSTER HANDLE	44	2	8094101	COVER, PULLEY-BOLTED PARTIAL
11	2	7326201	CAP, D-TUBE - TOP	45	2	8104501	COVER, PULLEY-BOLTED NOTCHED
12	2	7609101	CAM, FZLR	46	1	7625901	ASSY, MID TOWER-9, SHORT
13	2	7802001	COUNTER WEIGHT, LARGE - COATED	47	1	7423717	CABLE, FZLR-1 111-1/2
14	1	76245XX	PAD, CHEST 10 X 7-5/8, NO BACKER	48	1	7423806	CABLE, FZLR-2 82-3/8
15	2	76246XX	PAD, FOREARM, NO BACKER	49	2	7662901	CAP, GRIP 1.25 OD
16	1	72971XX	PAD, SEAT SADDLE	50	2	3235801	GRIP, 1.25" OD X 4" FZLE, FZSLC, FZCE
17	2	7317901	STOP, BUMPER	51	3	3236206	SCREW, M10 X1.5 45MM
18	4	3104901	.75" ID 1.00" OD BRONZE BUSHING	52	2	7662801	RING, GRIP 1.25 OD
19	4	7333801	CAP, SMALL FLOV- END	53	4	3238601	M10X1.5 THREADED INSERT (HEX)
20	5	3237801	PULLEY, 4.5" OD	54	1	3239201	SPRING, EXT, .375 X .049 X 2.00
21	33	3236601	WASHER, 3/8 SAE SS	55	1	7510101	LABEL, FZLR PLACARD
22	2	7419701	COVER, FOOT 10 DEG	56	1	7510201	LABEL, FZLR LOGO
23	1	7334001	FOOT, 2.50 X 4.49 FLOV	57	1	7422004	LABEL, 2" ASTM WARN
24	1	7425295	BRKT, SEAT INDICATOR	58	1	7571301	LABEL, SERIAL NUMBER
25	2	3239101	SCREW, M5X10 PHL PAN TT ST	59	1	7524501	LABEL, 1-9 STRAIGHT
26	1	7407502	PIN, LINK	60	2	7422003	LABEL, MOVING PARTS
27	2	3232401	RING, RETAINING, EXTERNAL	61	12	3251202	SCREW, M10 X1.5 X 25MM HEX ST ZN
28	4	3235601	BEARING, 6205 BALL	62	1	3236901	NUT, M10 X 1.5 JAM
29	8	7335401	NUT, M10 X 1.5 SOCKET HEAD	63	1	7776501	SHAFT, .625 X .406 X 1.200
30	2	7330004	SPACER, INTERNAL X 4.765	64	1	3236208	SCREW, M10 X1.5 55MM
31	1	6757701	CLIP, CABLE 2-7/8 X 1 X 1	65	2	7776401	SPACER, FLANGE .406 X .495 X .81
32	2	7690101	BUMPER, SLEEVE - 1 INCH DIA	66	4	3254703	NUT, M10 X 1.5 HEX ZINC
33	2	3236701	WASHER, FENDER 3/8" ID X 1.5" OD SS	67	2	7630101	RETAINER, CM/MJ, PULLEY
34	1	7385203	SPACER, .406 X .750 X .500				

FZLR LAT RAISE FZ SEAT CARRIAGE ASSEMBLY - 7911101



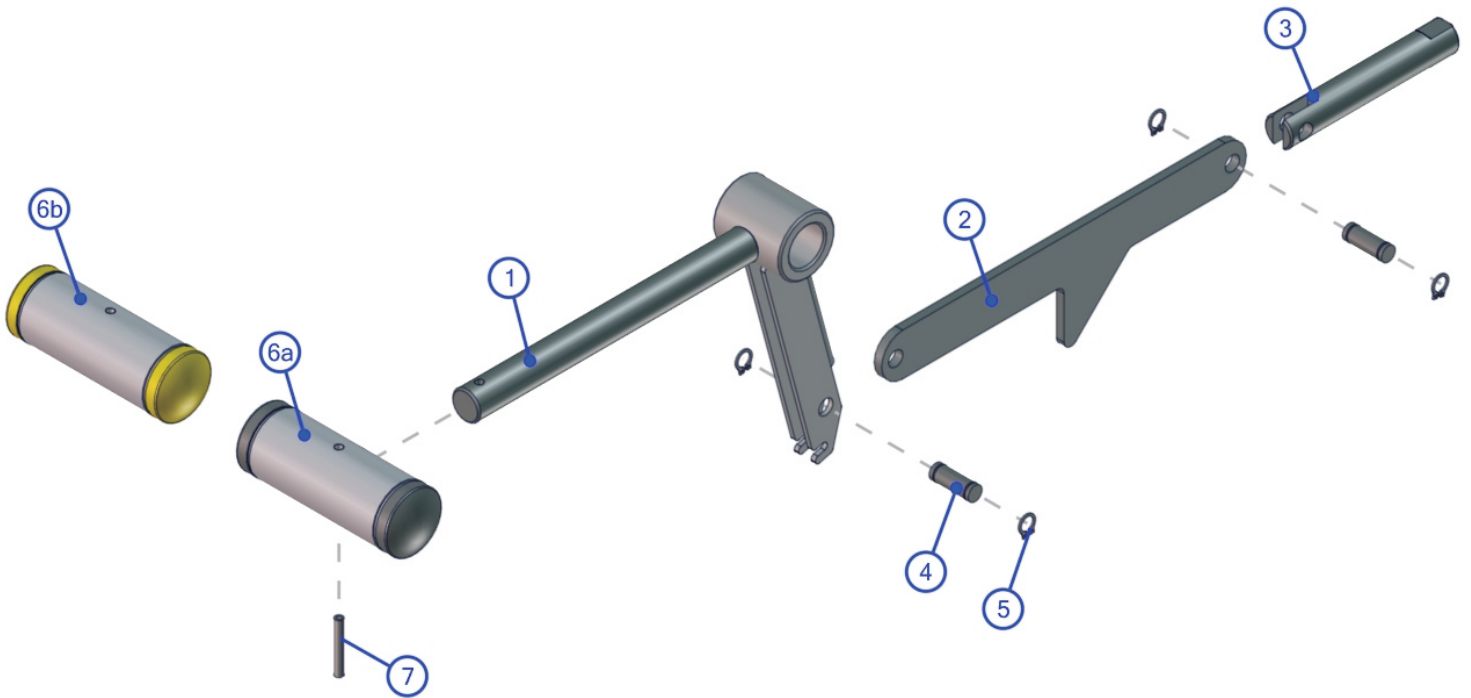
SEE PAGE 9 FOR LEGEND

FZLR LAT RAISE FZ SEAT CARRIAGE ASSEMBLY LEGEND



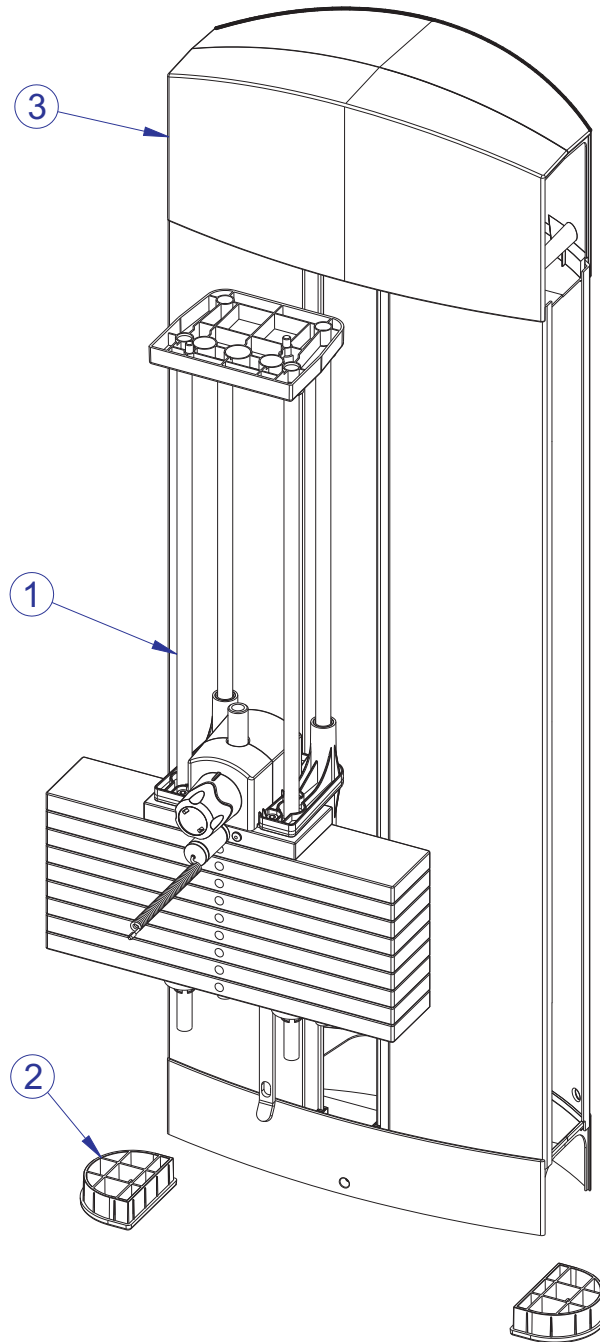
ITEM NO.	QTY.	PART NO.	DESCRIPTION
1	1	7911295	WLDMT, SEAT CARRIAGE SHDW GRAY
2	7	7889701	ROLLER, SEAT CARRIAGE
3	4	7911901	SPACER, .625 DIA X 16 GA.
4	3	7912001	SPRING, SEAT CARRIAGE
5	7	3232408	RING, BRE .443, 5100-46, ST,PP,B
6	1	3235703	SPRING, GAS 80N
7	2	7414301	STUD, M10 BALL END M10 X 1.5
8	1	7339401	BRACKET, GAS SPRING
9	1	7334001	FOOT, 2.50 X 4.49 FLOV
10	2	3236601	WASHER, 3/8 SAE SS
11	2	3236801	NUT, M10 HEX NYLOCK SS
12	2	3241201	M4 PHL PAN F ST ZN

FZLR LAT RAISE FZ ADJUSTER HANDLE ASSEMBLY - 77780XX



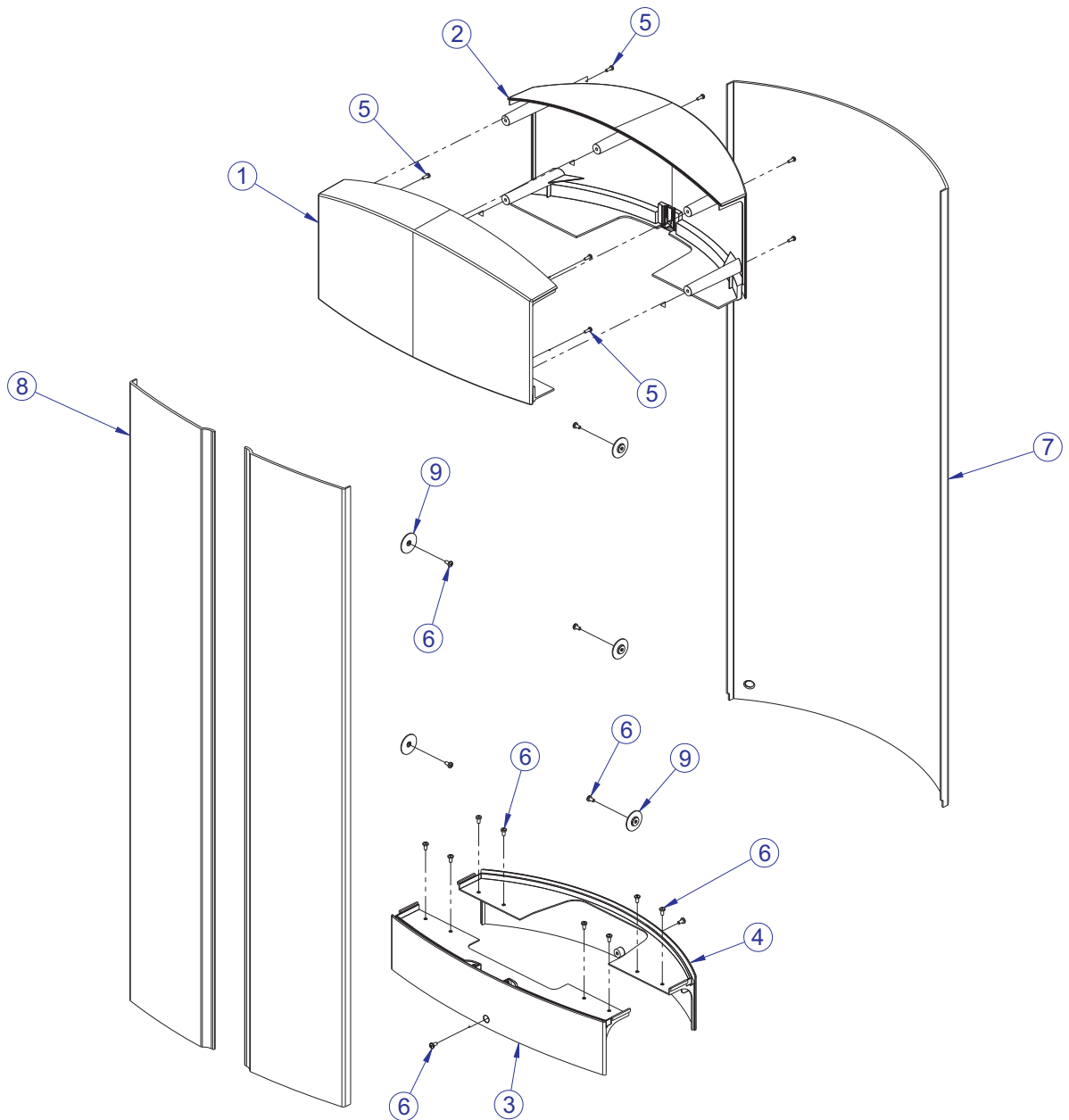
ITEM NO.	QTY.	PART NO.	DESCRIPTION
1	1	7777595	WLDMT, FZ SEAT ADJ HANDLE SHADOW GRAY
2	1	7331801	LINK, ADJUSTER
3	1	7331601	PIN, INDEX
4	2	7407501	PIN, LINK
5	4	3232401	RING, RETAINING, EXTERNAL
6	a	7287901	HANDLE, ADJUSTER - SILVER
	b	7287903	HANDLE, ADJUSTER - YELLOW
7	1	3110010	ROLL PIN, 1/8 X 7/8

FZLR LAT RAISE MID-9 SHORT TOWER ASSEMBLY - 7625901



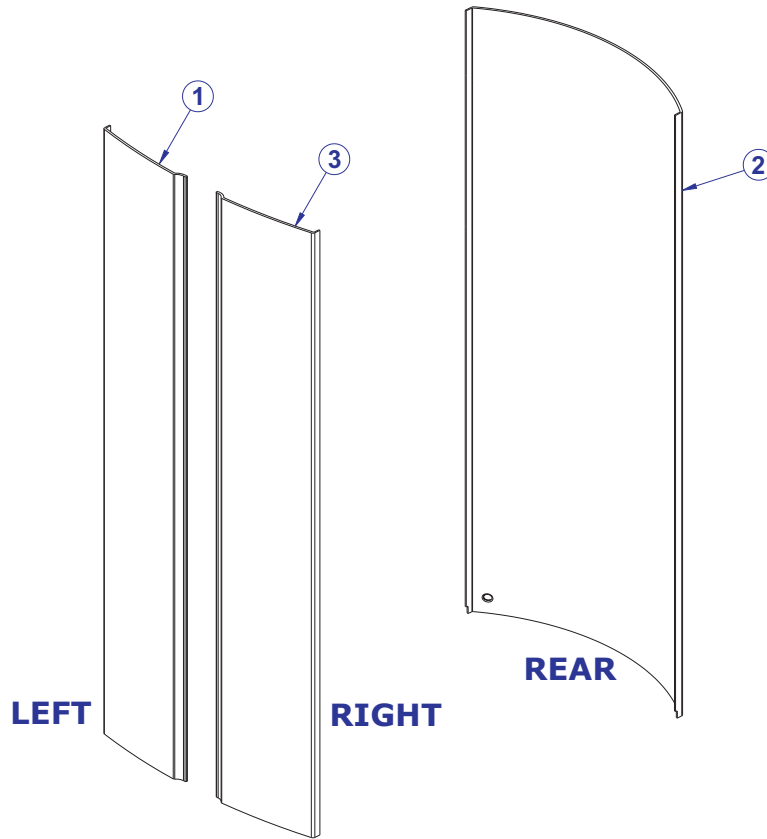
ITEM NO.	QTY.	PART NO.	DESCRIPTION
1	1	7626001	ASSY, WEIGHT STACK MID-9, SHORT
2	2	7326301	CAP, D-TUBE - BOTTOM
3	1	7419801	ASSY, TOWER PLASTICS - MID


FZLR LAT RAISE STANDARD PLASTIC TOWER ASSEMBLY - 7419801





ITEM NO.	QTY.	PART NO.	DESCRIPTION
1	1	7318601	COVER, TOWER- TOP FRONT
2	1	7318701	COVER, TOWER- TOP REAR
3	1	7318801	COVER, TOWER- BOTTOM FRONT
4	1	7318901	COVER, TOWER- BOTTOM REAR
5	9	3236501	M4 X 0.7 PHL PAN MS ST ZN
6	16	3239101	SCREW, M5X10 PHL PAN TT ST
7	1	7765701	SHROUD, TOWER- REAR SHORT
8	2	7765601	SHROUD, TOWER- FRT SHORT RH
9	6	7583501	RETAINER, FZ SHROUD


FZLR LAT RAISE OPTIONAL WRAPPED SHROUDS





BAMBOO		ITEM NO.	QTY.	PART NO.	DESCRIPTION
		1	1	8954201	SHROUD, FZ, FNT, SRT, LT -BAMBOO
		2	1	8949101	SHROUD, FZ, REAR, SRT -BAMBOO
		3	1	8949001	SHROUD, FZ, FNT, SRT, RT -BAMBOO

SKY		ITEM NO.	QTY.	PART NO.	DESCRIPTION
		1	1	8954301	SHROUD, FZ, FNT, SRT, LT -SKY
		2	1	8949301	SHROUD, FZ, REAR, SRT -SKY
		3	1	8949201	SHROUD, FZ, FNT, SRT, RT -SKY

BRONZE		ITEM NO.	QTY.	PART NO.	DESCRIPTION
		1	1	8954401	SHROUD, FZ, FNT, LT - BRONZE
		2	1	8949501	SHROUD, FZ, REAR -BRONZE
		3	1	8949401	SHROUD, FZ, FNT, SRT, RT -BRONZE

STEM		ITEM NO.	QTY.	PART NO.	DESCRIPTION
		1	1	8954501	SHROUD, FZ, FNT, SRT, LT -STEM
		2	1	8949701	SHROUD, FZ, REAR, SRT -STEM
		3	1	8949601	SHROUD, FZ, FNT, SRT, RT -STEM

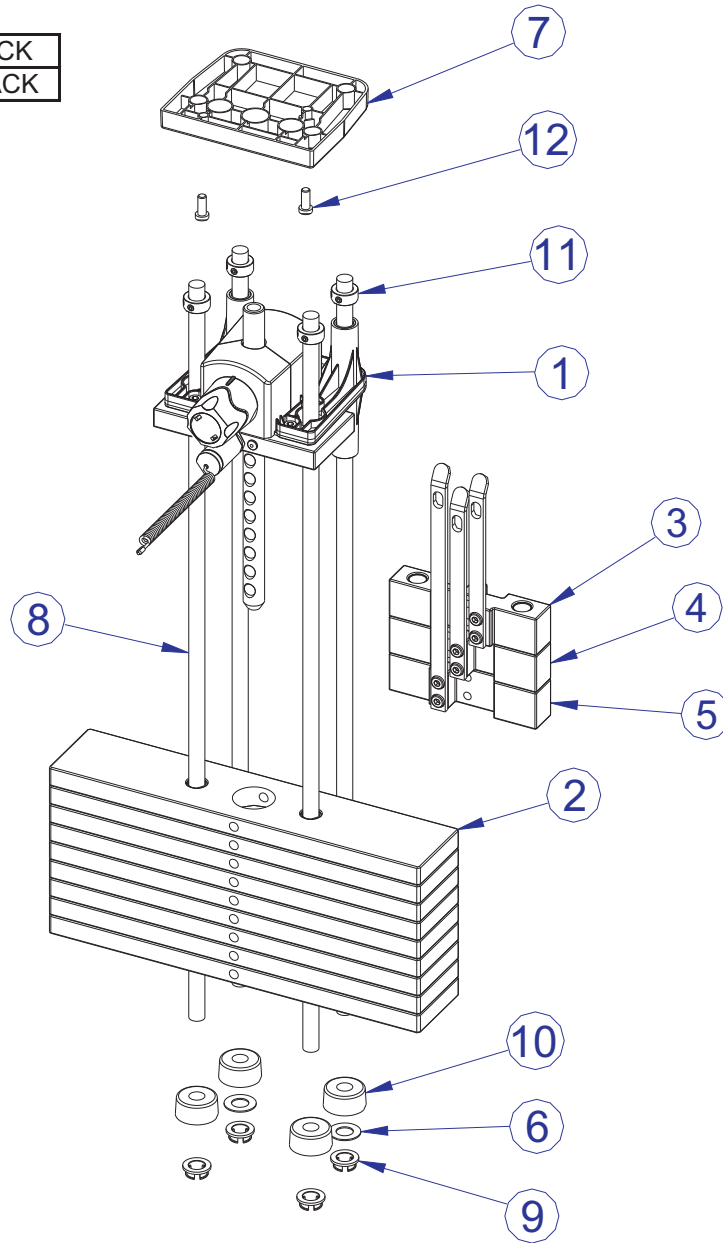
ROSEWOOD		ITEM NO.	QTY.	PART NO.	DESCRIPTION
		1	1	8954601	SHROUD, FZ, FNT, SRT, LT -ROSEWOOD
		2	1	8949901	SHROUD, FZ, REAR, SRT -ROSEWOOD
		3	1	8949801	SHROUD, FZ, FNT, SRT, RT -ROSEWOOD

STAINLESS STEEL		ITEM NO.	QTY.	PART NO.	DESCRIPTION
		1	1	8954701	SHROUD, FZ, FNT, SRT, LT -STAINLESS STEEL
		2	1	8950101	SHROUD, FZ, REAR, SRT -STAINLESS STEEL
		3	1	8950001	SHROUD, FZ, FNT, SRT, RT-STAINLESS STEEL

FZLR LAT RAISE MID-9 SHORT WEIGHT STACK ASSEMBLY - 7626001

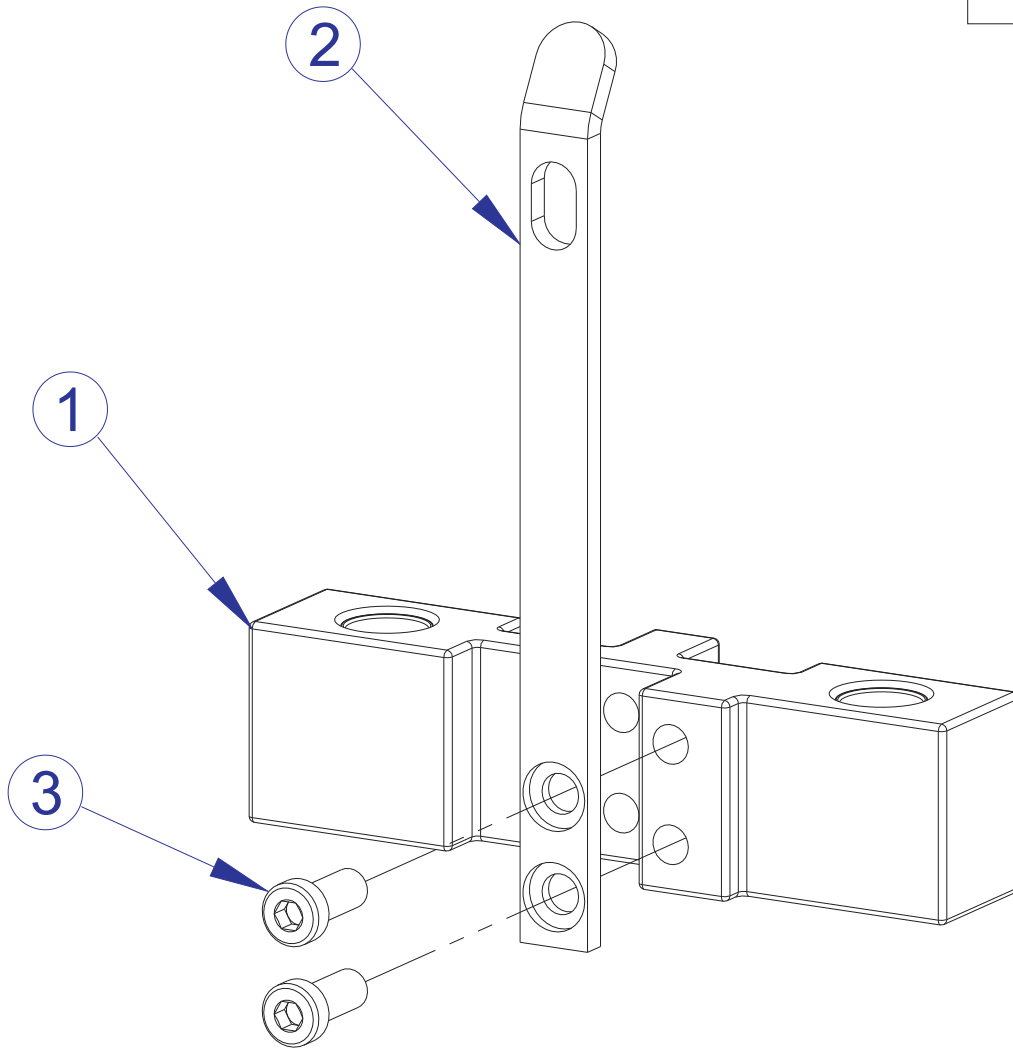
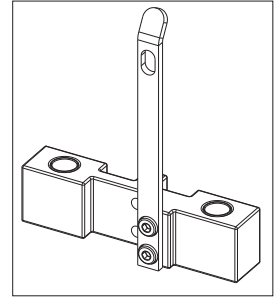
WEIGHT STACK LABELS

7927201	LABEL, 390 LB STACK
7927301	LABEL, 195 KG STACK



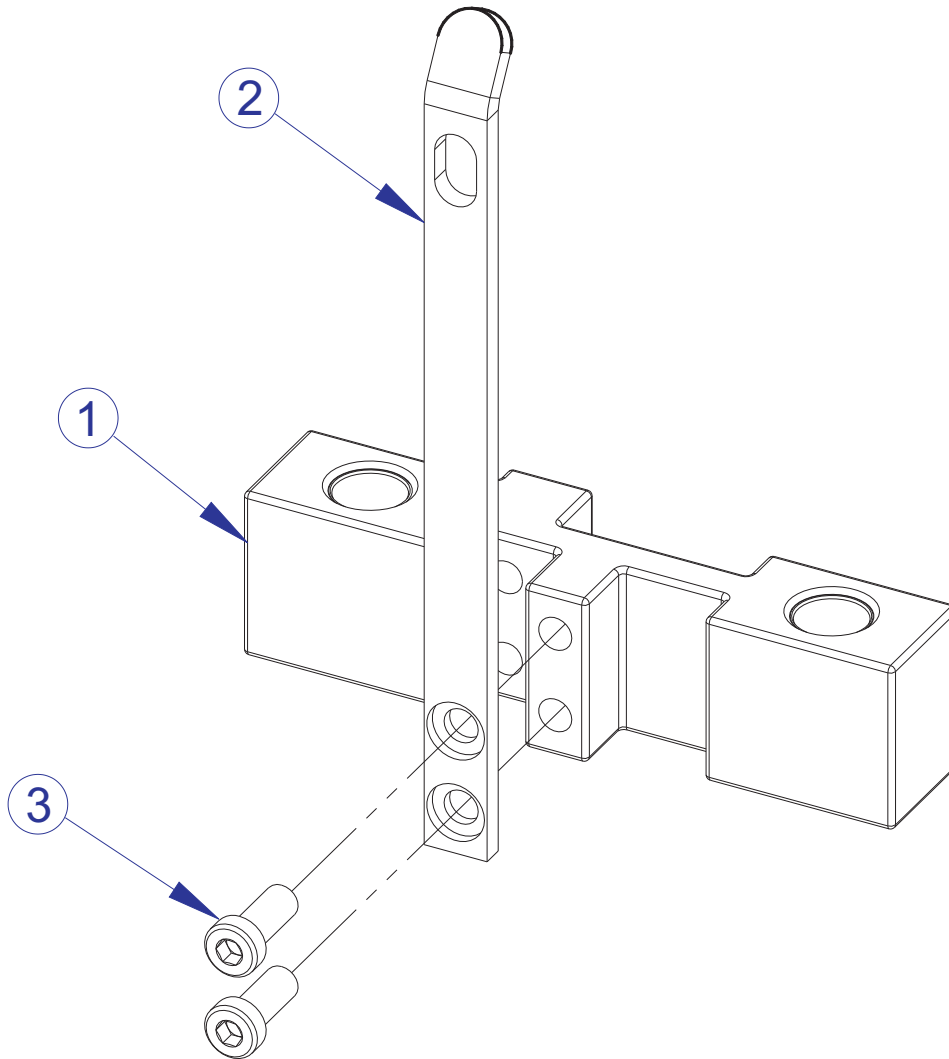
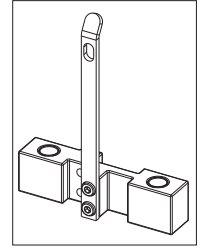
ITEM NO.	QTY.	PART NO.	DESCRIPTION
1	1	7350601	ASSY, HEAD PLATE (9)
2	9	7328401	WEIGHT PLATE, 20 LB
3	1	7327601	ASSY, INCREMENT WT - 5LB
4	1	7327701	ASSY, INCREMENT WT - 10LB
5	1	7327801	ASSY, INCREMENT WT - 15LB
6	2	7351001	SPACER, INC WT STACK
7	1	7621101	RETAINER, GUIDE ROD - TOP
8	4	7328610	GUIDE ROD, .75 OD SOLID 39.75
9	4	7337901	BUSHING, GUIDE ROD
10	4	7352101	CUSHION, WEIGHT STACK
11	4	3103301	SHAFT COLLAR, 3/4 I.D. ZINC
12	2	3236202	SCREW, M10 X1.5 25MM

FZLR LAT RAISE 5 LB. INCREMENT WEIGHT ASSEMBLY - 7327601



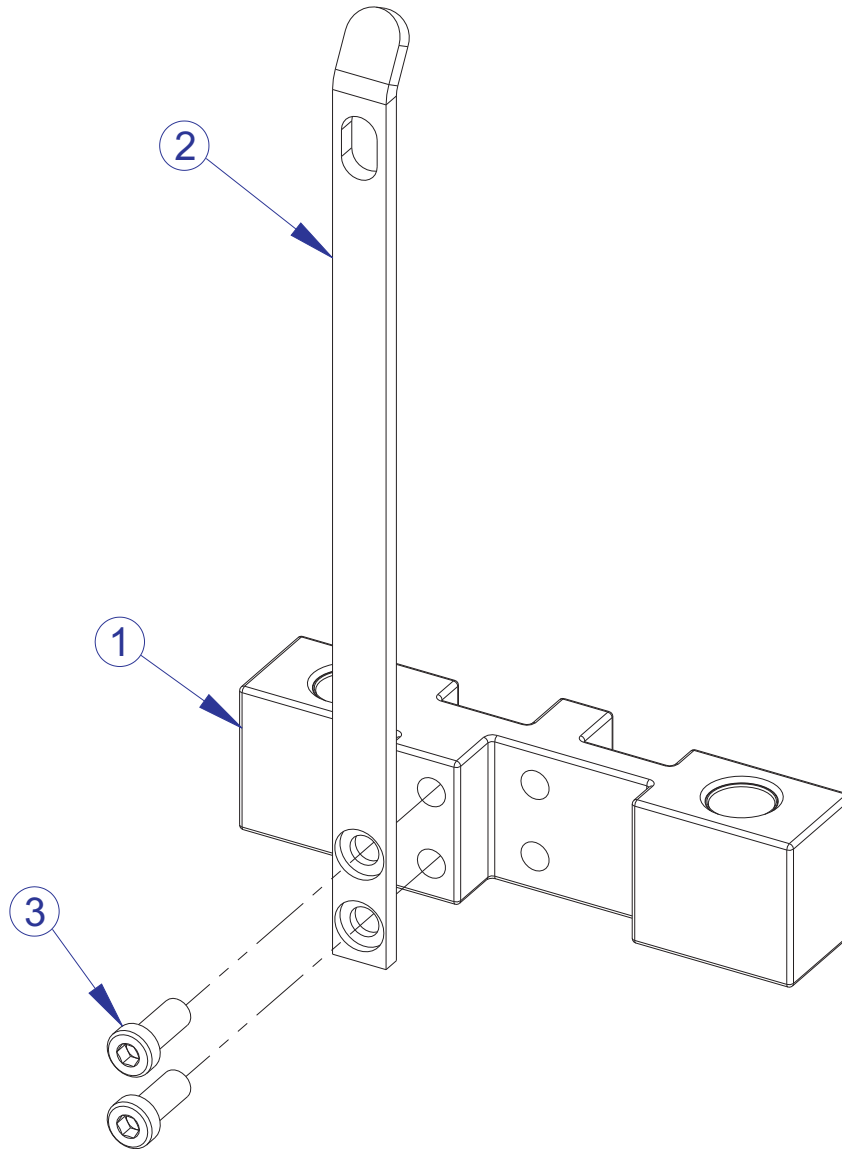
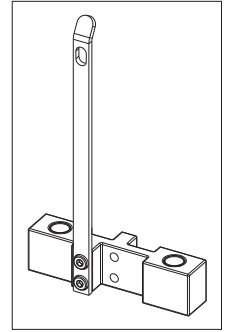
ITEM NO.	QTY.	PART NO.	DESCRIPTION
1	1	7968501	ASSY, FZ INC WEIGHT 5LB
2	1	7328001	BRKT, INCREMENT WT - 5 LB
3	2	3236202	SCREW, M10 X1.5 25MM

FZLR LAT RAISE 10 LB. INCREMENT WEIGHT ASSEMBLY - 7327701



ITEM NO.	QTY.	PART NO.	DESCRIPTION
1	1	7968501	ASSY, FZ INC WEIGHT 5LB
2	1	7328101	BRKT, INCREMENT WT - 10 LB
3	2	3236202	SCREW, M10 X1.5 25MM

FZLR LAT RAISE 15 LB. INCREMENT WEIGHT ASSEMBLY - 7327801

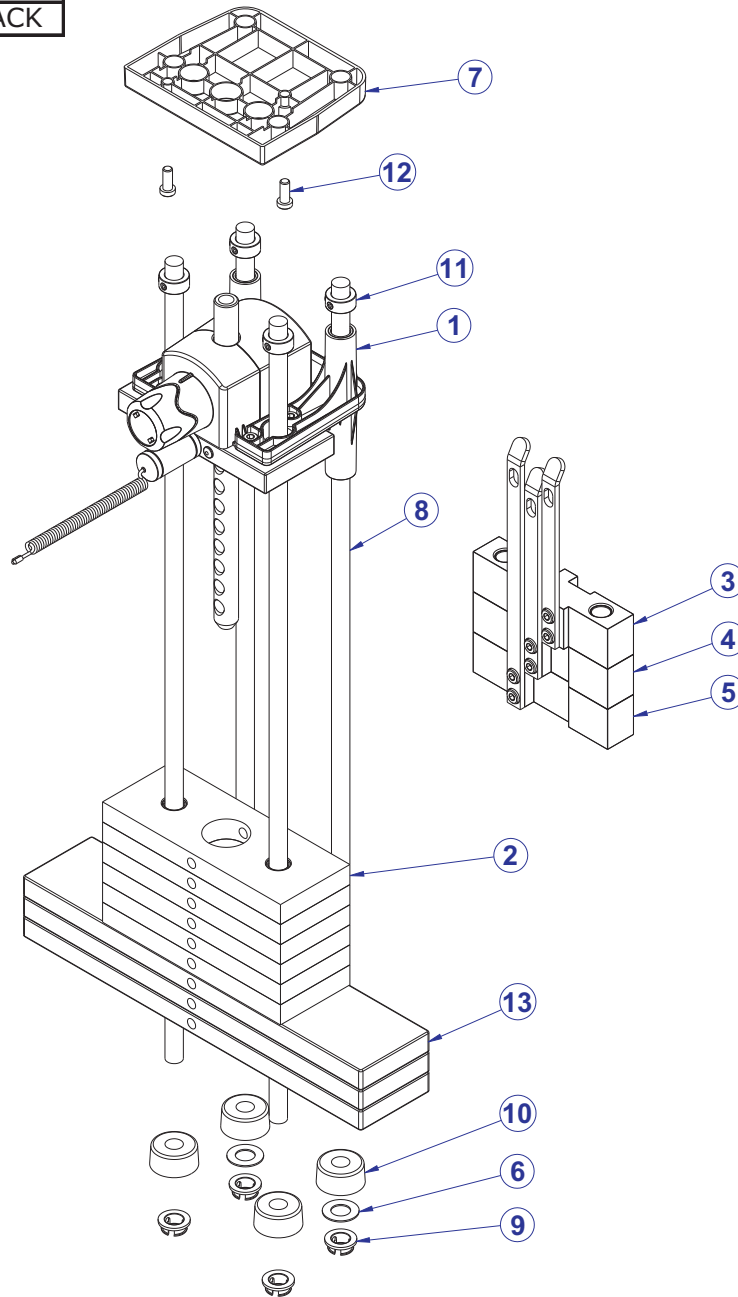


ITEM NO.	QTY.	PART NO.	DESCRIPTION
1	1	7968501	ASSY, FZ INC WEIGHT 5LB
2	1	7328201	BRKT, INCREMENT WT - 15 LB
3	2	3236202	SCREW, M10 X1.5 25MM

FZLR LAT RAISE

OPTIONAL MID SHORT LIGHT-9 WEIGHT STACK ASSY. - 8866501

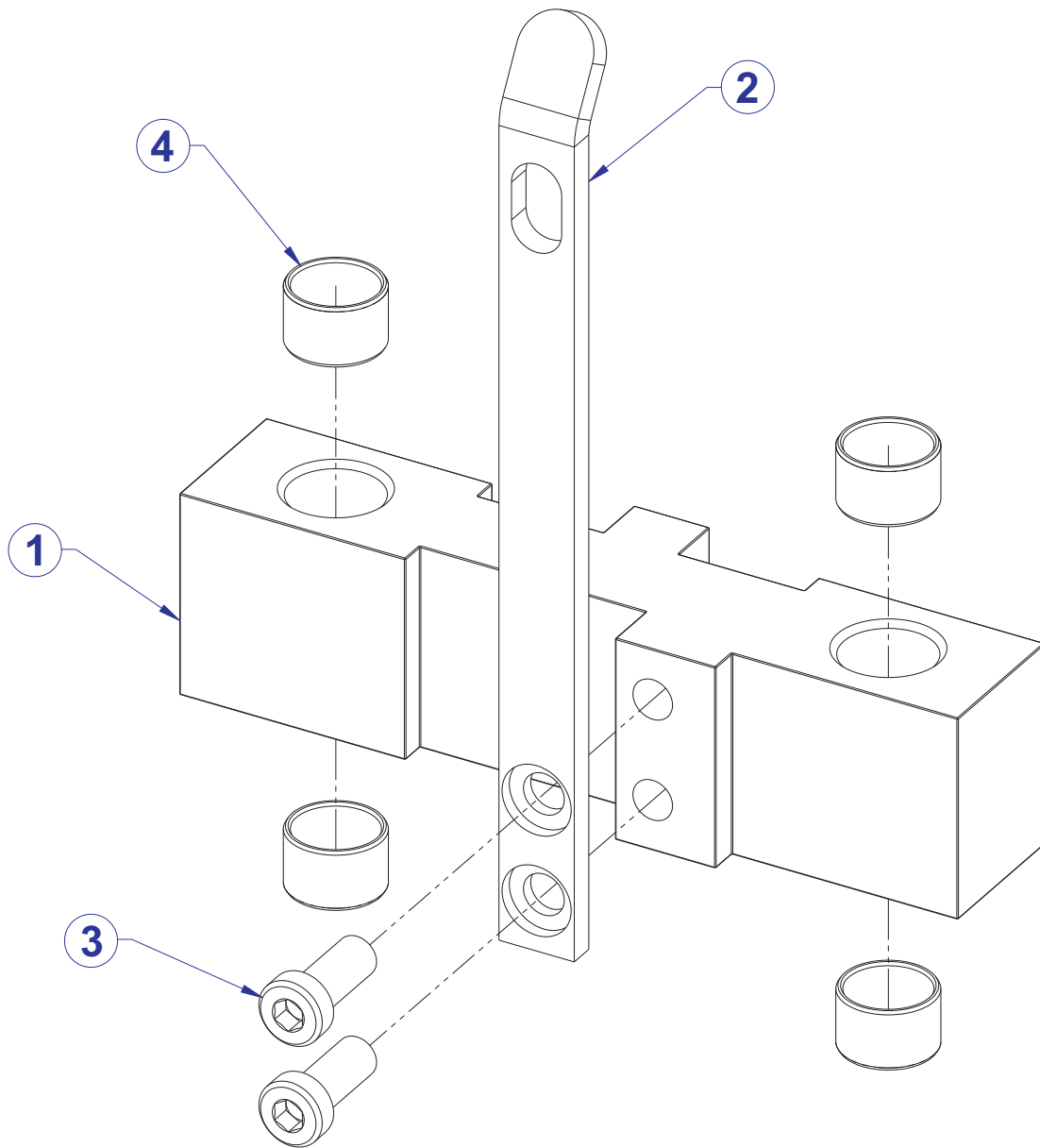
WEIGHT STACK LABEL	
8867101	LABEL, 190 LB STACK



ITEM NO.	QTY.	PART NO.	DESCRIPTION
1	1	7350601	ASSY, HEAD PLATE (9)
2	6	7353701	ASSY, 10 LB PLATE
3	1	8861301	ASSY, FZ INC WEIGHT - 2.5 LB
4	1	8861401	ASSY, FZ INC WEIGHT - 5 LB
5	1	8861501	ASSY, FZ INC WEIGHT - 7.5 LB
6	2	7351001	SPACER, INC WT STACK
7	1	7621101	RETAINER, GUIDE ROD - TOP
8	4	7328610	GUIDE ROD, .75 OD SOLID 39.75
9	4	7337901	BUSHING, GUIDE ROD
10	4	7352101	CUSHION, WEIGHT STACK
11	4	3103301	SHAFT COLLAR, 3/4 I.D. ZINC
12	2	3236202	SCREW, M10 X1.5 25MM
13	3	7328401	WEIGHT PLATE, 20 LB

FZLR LAT RAISE

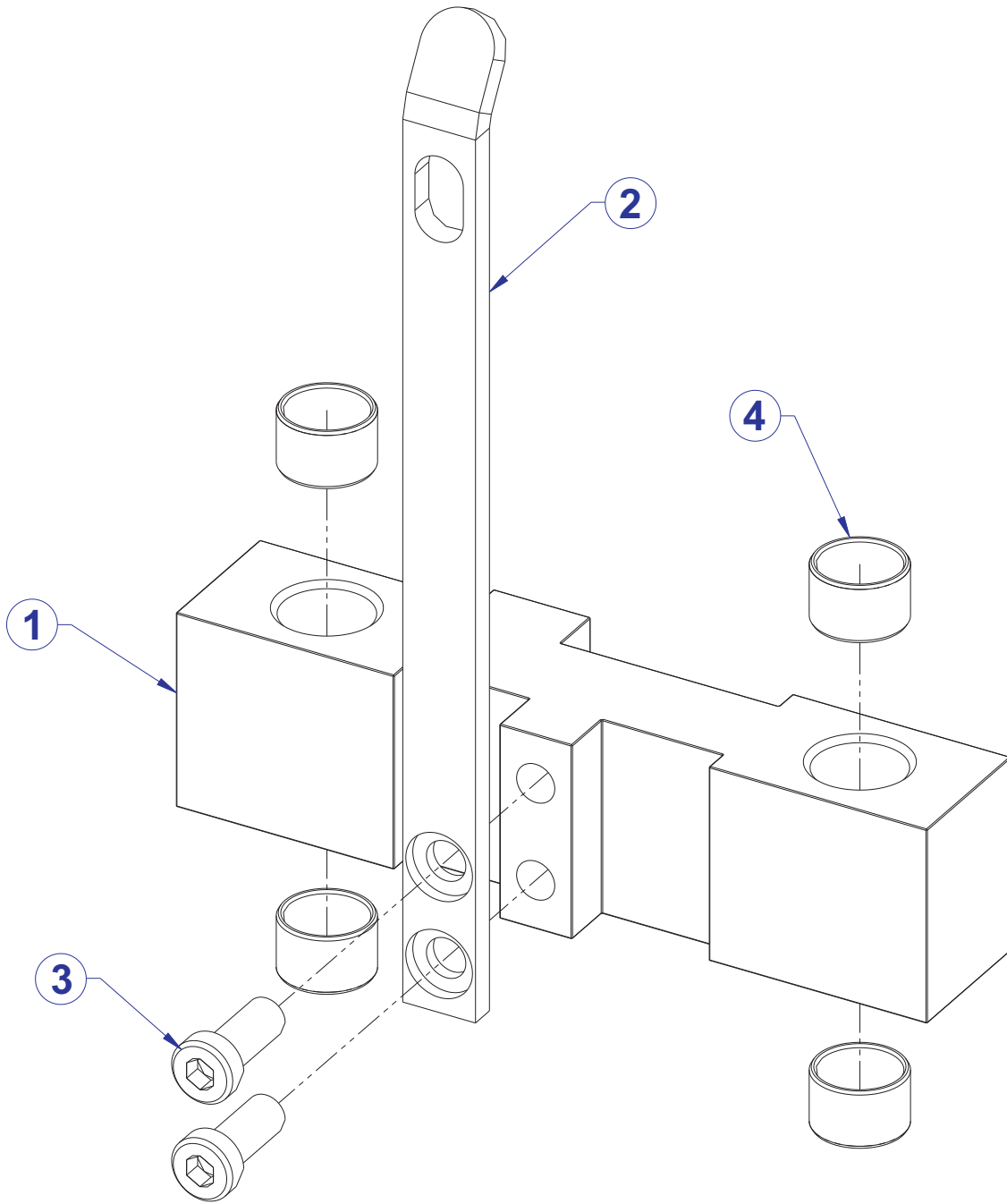
OPTIONAL 2.5 LB. INCREMENT WEIGHT ASSY. - 8861301



ITEM NO.	QTY.	PART NO.	DESCRIPTION
1	1	8861295	INCREMENT WEIGHT, FZ OPTIONAL - SG
2	1	7328001	BRKT, INCREMENT WT - 5 LB
3	2	3236202	SCREW, M10 X1.5 25MM
4	4	3202501	BEARING, SLEEVE 20 ID X 23.00 X 15 MM

FZLR LAT RAISE

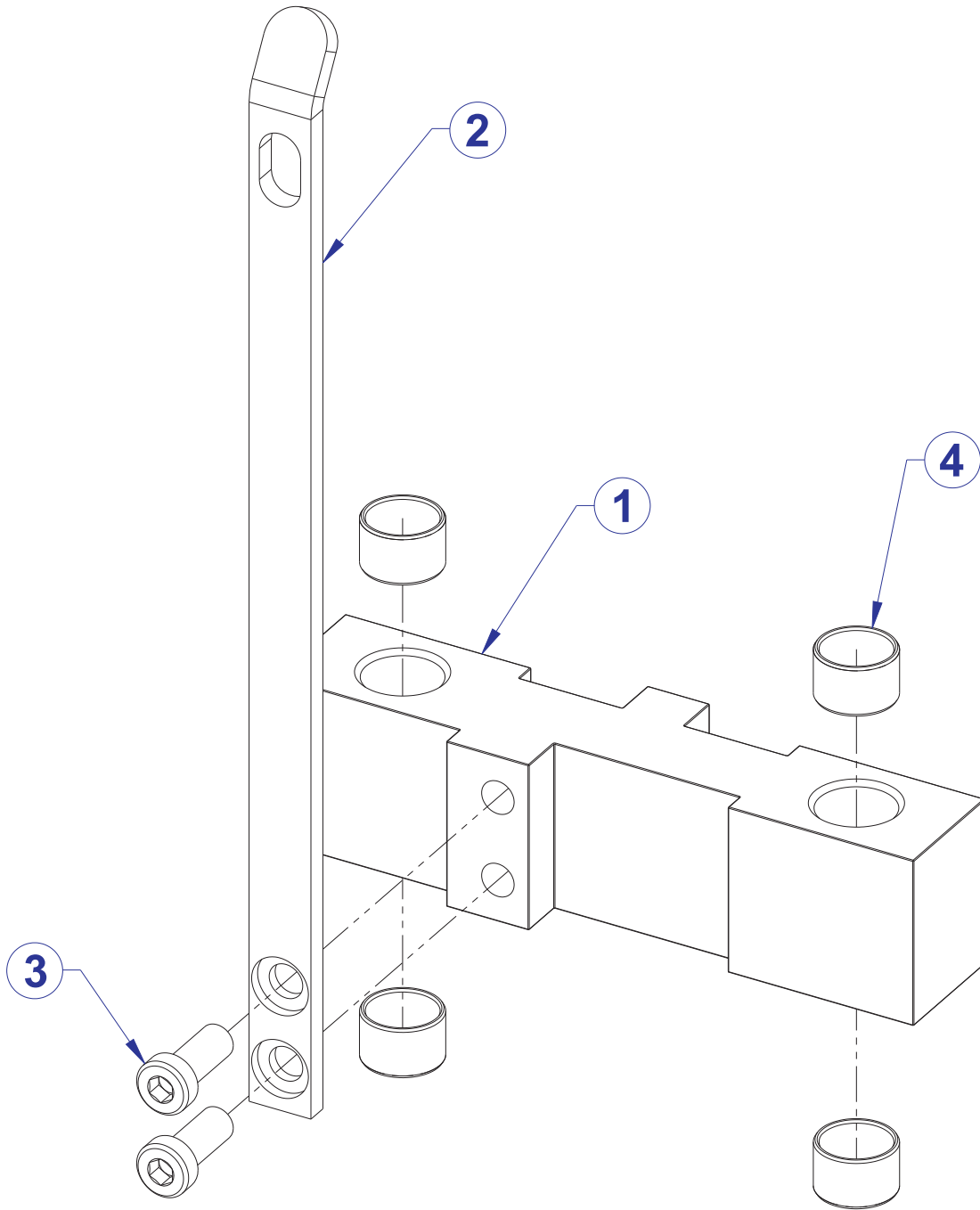
OPTIONAL 5 LB. INCREMENT WEIGHT ASSY. - 8861401



ITEM NO.	QTY.	PART NO.	DESCRIPTION
1	1	8861295	INCREMENT WEIGHT, FZ OPTIONAL - SG
2	1	7328101	BRKT, INCREMENT WT - 10 LB
3	2	3236202	SCREW, M10 X1.5 25MM
4	4	3202501	BEARING, SLEEVE 20 ID X 23.00 X 15 MM

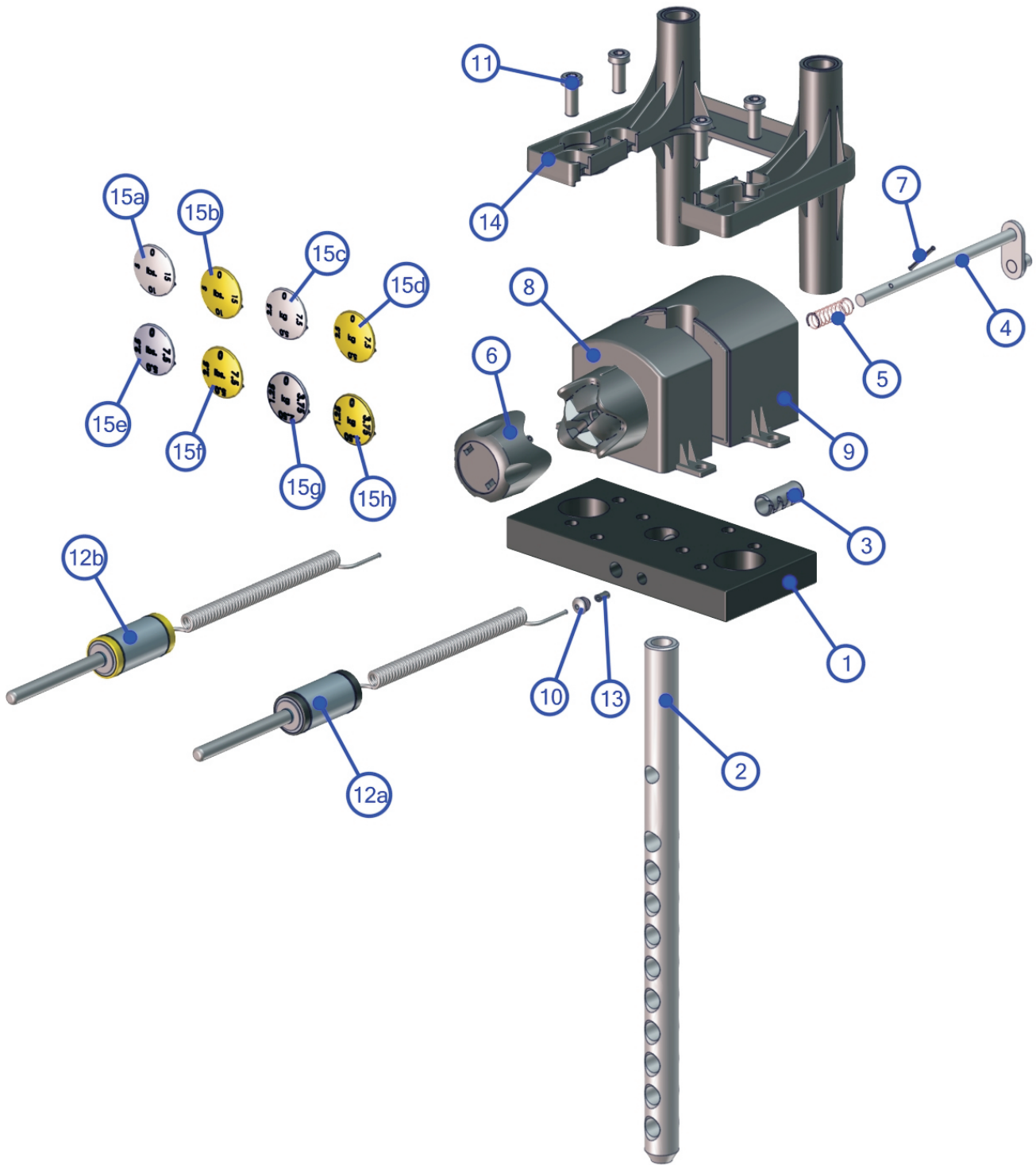
FZLR LAT RAISE

OPTIONAL 7.5 LB. INCREMENT WEIGHT ASSY. - 8861501



ITEM NO.	QTY.	PART NO.	DESCRIPTION
1	1	8861295	INCREMENT WEIGHT, FZ OPTIONAL - SG
2	1	7328201	BRKT, INCREMENT WT - 15 LB
3	2	3236202	SCREW, M10 X1.5 25MM
4	4	3202501	BEARING, SLEEVE 20 ID X 23.00 X 15 MM

FZLR LAT RAISE HEAD PLATE ASSEMBLY - 7350601



SEE PAGE 23 FOR LEGEND

FZLR LAT RAISE HEAD PLATE ASSEMBLY LEGEND

ITEM NO.	QTY.	PART NO.	DESCRIPTION	WHERE USED	
1	1	7326701	HEAD PLATE	-	
2	1	7347801	STEM, 9 PLATE	-	
3	1	3236001	BUSHING, SPRING PIN	-	
4	1	7327201	WLDMT, INCREMENT WT PIN	-	
5	1	8024501	SPRING, 1/2 OD X 1-1/2	-	
6	1	7326101	KNOB, INC WT SELECTOR	-	
7*	1	3110008	ROLL PIN, 1/8 X 1-1/4	-	
8*	1	7326401	HOUSING, SELECTOR - FRONT	-	
9*	1	7326501	HOUSING, SELECTOR - REAR	-	
10	1	7356501	PLUG, LANYARD ATTACHMENT	-	
11	4	3236202	SCREW, M10 X1.5 25MM	-	
12**	a	1	7338101	ASSY, WT STACK SELECTOR PIN-SILVER	-
	b		7338103	ASSY, WT STACK SELECTOR PIN-YELLOW	-
13	1	7523601	CRIMP, CABLE	-	
14	1	8867301	ASSY, FZ, STABILIZER WITH BUSHINGS	-	
15**	a	1	7398601	CAP, SELECTOR KNOB - 5 LBS, SILVER	REG. STACK / LBS.
	b		7398603	CAP, FZ SELECTOR KNOB - 5 LBS, YELLOW	REG. STACK / LBS.
	c		7398701	CAP, FZ SELECTOR KNOB - 2.5 KG, SILVER	REG. STACK / KG.
	d		7398703	CAP, FZ SELECTOR KNOB - 2.5 KG, YELLOW	REG. STACK / KG.
	e		8865801	CAP, FZ SELECTOR KNOB - 2.5 LBS, SILVER	LIGHT STACK / LBS.
	f		8865803	CAP, FZ SELECTOR KNOB - 2.5 LBS, YELLOW	LIGHT STACK / LBS.
	g		8946501	CAP, FZ SELECTOR KNOB - 1.25 KG, SILVER	LIGHT STACK / KG.
	h		8946503	CAP, FZ SELECTOR KNOB - 1.25 KG, YELLOW	LIGHT STACK / KG.

* Kit exists for component set. See bulletin FZ02012701N

** Language specific/Weight stack item. Order separately-not part of assembly.

FZLR LAT RAISE IMAGE

