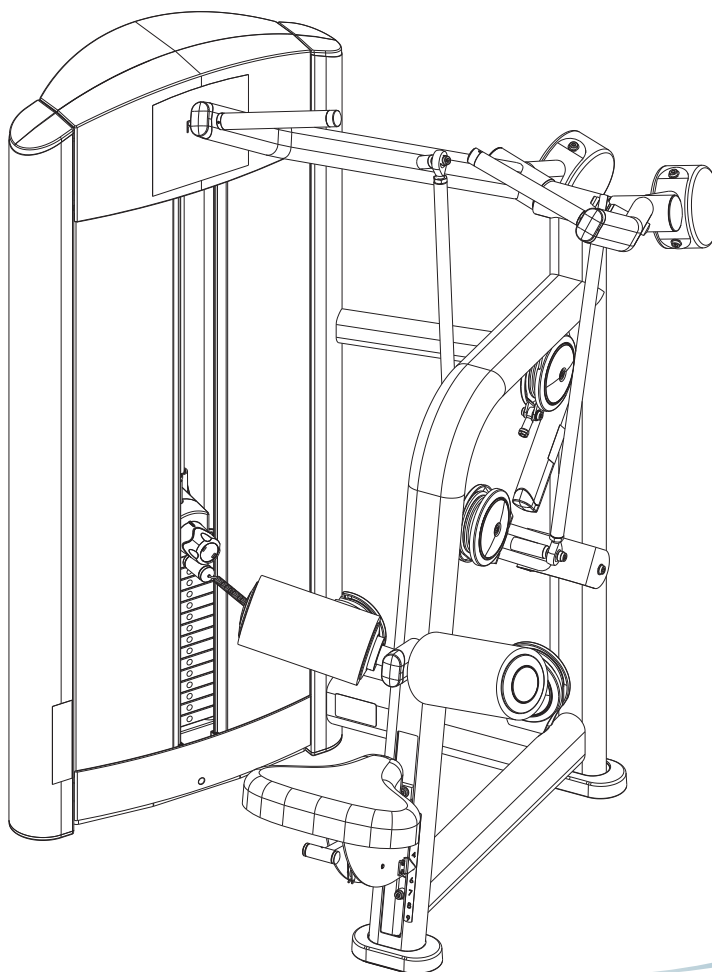


Signature Series Single Station Pull Down

FZPD

Parts List



LifeFitness
WHAT WE LIVE FOR

FZPD PULL DOWN CONTENTS

FRAME AND UPHOLSTERY COLORS..... 3

SHROUD OPTIONS..... 4

COMPONENT ASSEMBLY..... 5

COMPONENT ASSEMBLY II..... 6

COMPONENT ASSEMBLY LEGEND..... 7

SEAT CARRIAGE ASSEMBLY..... 8

SEAT CARRIAGE ASSEMBLY LEGEND..... 9

ADJUSTER HANDLE ASSEMBLY..... 10

MID-14 TOWER ASSEMBLY..... 11

STANDARD PLASTIC TOWER ASSEMBLY..... 12

OPTIONAL WRAPPED SHROUDS..... 13

MID-14 WEIGHT STACK ASSEMBLY..... 14

5 LB. INCREMENT WEIGHT ASSEMBLY..... 15

10 LB. INCREMENT WEIGHT ASSEMBLY..... 16

15 LB. INCREMENT WEIGHT ASSEMBLY..... 17

OPTIONAL LIGHT MID-14 WEIGHT STACK ASSEMBLY..... 18

OPTIONAL 2.5 LB. INCREMENT WEIGHT ASSEMBLY..... 19

OPTIONAL 5 LB. INCREMENT WEIGHT ASSEMBLY..... 20

OPTIONAL 7.5 LB. INCREMENT WEIGHT ASSEMBLY..... 21

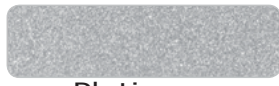
HEAD PLATE ASSEMBLY..... 22

HEAD PLATE ASSEMBLY LEGEND..... 23

IMAGE..... 24

FZPD PULL DOWN FRAME AND UPHOLSTERY COLORS

Strength Frame Colors



Platinum



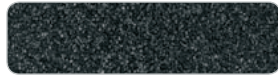
White



Black



Ice Blue Metallic



Midnight Metallic



Nickel



Blue



Red



Yellow



Candy Apple Red

Note: Include frame color in pick-slip notes when ordering frame assemblies or weldments.

Strength Upholstery Colors



American Beauty Red 07



Azure 20



Black 01



Cranberry 04



Graphite 22



Hunter Green 13



Regimental Blue 14



Royal Blue 02



Slate 03



Wheat 21



Burgundy 29



Candy Apple Red 28



Chestnut 34



Concord 16



Crocus 19



Dove Gray 37



Emerald 27



Grotto 25



Gun Metal 39



Imperial Blue 33



Jade 26



Navy 32



Northwoods Green 05



Paprika 35



Plum 30



Putty 38



Space Blue 06



Suede 08



Terra Cotta 36



Turquoise 17

Note: Replace XX with above color suffix when ordering pads (ie. 74123XX = 7412301 Black)
Use 99 suffix for custom upholstery.

FZPD PULL DOWN SHROUD OPTIONS

STANDARD SHROUD NO WRAP



TRANSLUCENT



OPTIONAL StackWraps™ SHROUD + WRAP

BAMBOO



BRONZE



ROSEWOOD



SKY



STAINLESS
STEEL



STEM



CO-BRANDED StackWraps™

SHROUD + WRAP

(refer to co-branded parts list)



PLANET FITNESS

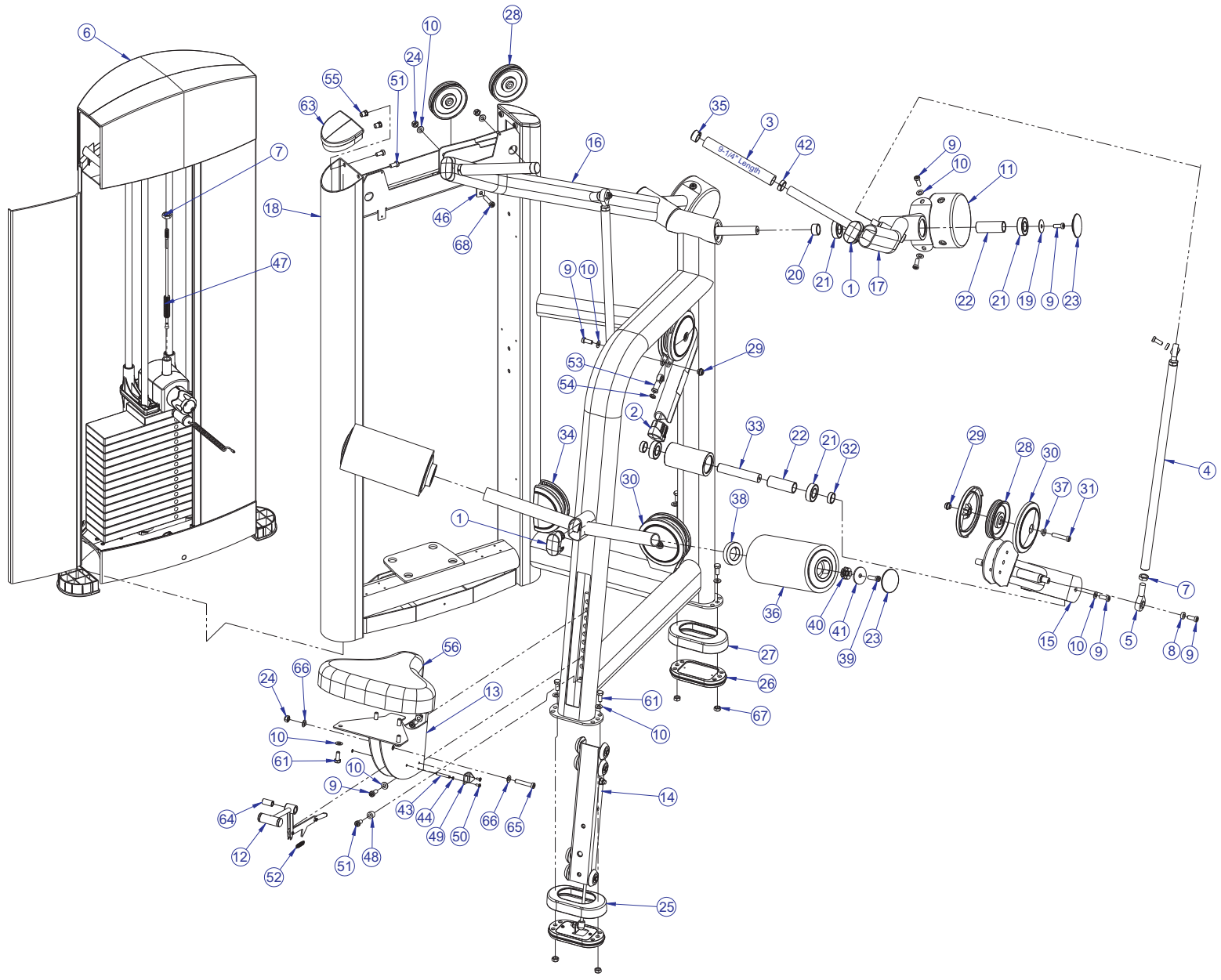


BLINK FITNESS



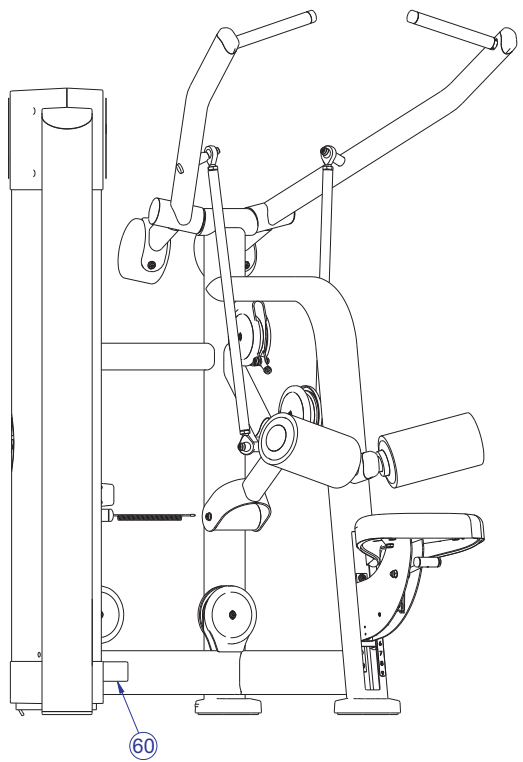
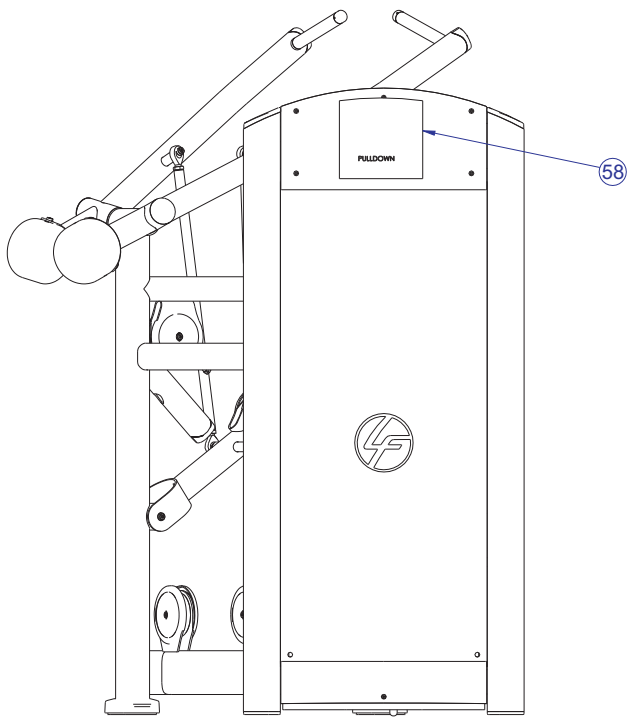
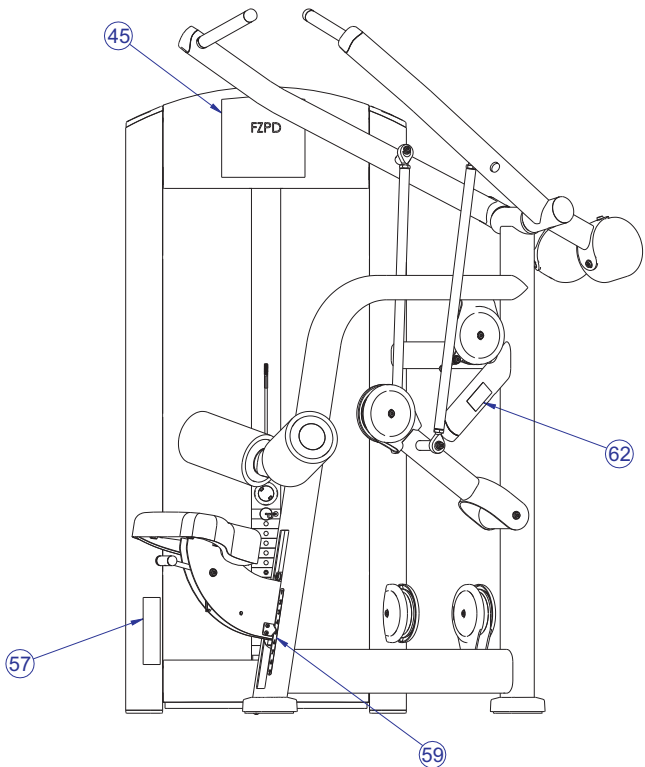
RETRO FITNESS

FZPD PULL DOWN COMPONENT ASSEMBLY



SEE PAGE 7 FOR LEGEND

FZPD PULL DOWN COMPONENT ASSEMBLY II

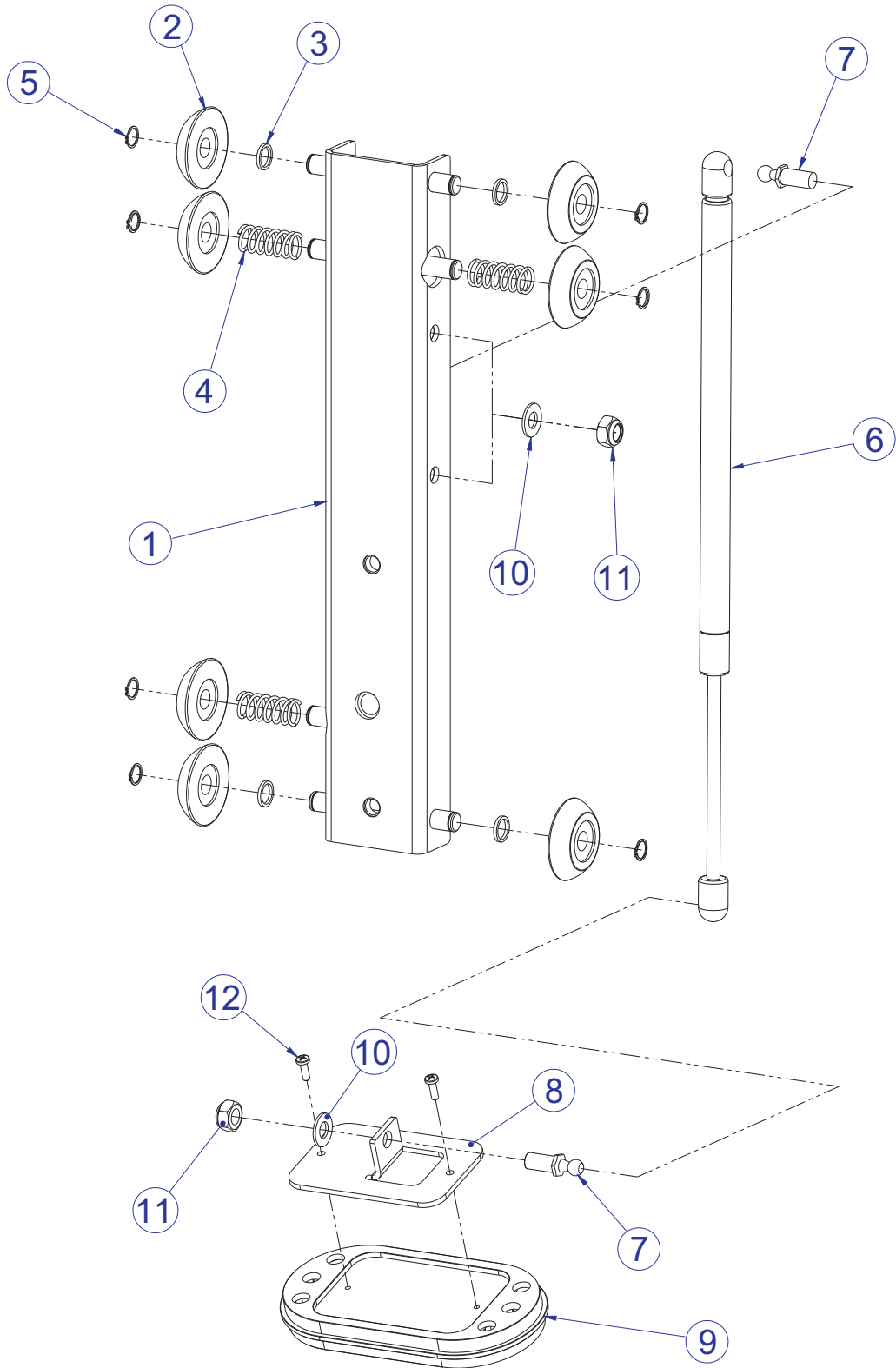


SEE PAGE 7 FOR LEGEND

FZPD PULL DOWN COMPONENT ASSEMBLY LEGEND

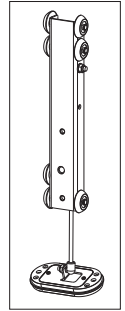
| ITEM NO. | QTY. | PART NO. | DESCRIPTION | ITEM NO. | QTY. | PART NO. | DESCRIPTION |
|----------|------|----------|------------------------------------|----------|------|----------|----------------------------------|
| 1 | 3 | 7333801 | CAP, SMALL FLOV- END | 35 | 2 | 7662901 | CAP, GRIP 1.25 OD |
| 2 | 1 | 7317901 | STOP, BUMPER | 36 | 2 | 74247XX | ASSY, ROLLER PAD - SHORT |
| 3 | 2 | 3235801 | GRIP, SHADOW GRAY 1.25 OD X 9.25 | 37 | 4 | 7630101 | RETAINER, CM/MJ, PULLEY |
| 4 | 2 | 7318004 | TIE ROD, 1 X 27 | 38 | 2 | 7357901 | SHAFT COLLAR, 1-1/2" ID ALUM |
| 5 | 4 | 3238701 | ROD END, METRIC MALE | 39 | 2 | 3236204 | SCREW, M10 X1.5 35MM |
| 6 | 1 | 7420401 | ASSY, MID TOWER-14 | 40 | 2 | 7347301 | NUT, SPIDER M10 X 1.5 |
| 7 | 5 | 3236902 | NUT, M16 X 2 HEX JAM SS | 41 | 2 | 7322301 | PLATE, 1.97 OD X .44 ID 10GA |
| 8 | 4 | 7385201 | SPACER, .406 X .750 X .250 | 42 | 2 | 7662801 | RING, GRIP 1.25 OD |
| 9 | 15 | 3236202 | SCREW, M10 X1.5 25MM | 43 | 1 | 7407502 | PIN, LINK |
| 10 | 20 | 3236601 | WASHER, 3/8 SAE SS | 44 | 2 | 3232401 | RING, RETAINING, EXTERNAL |
| 11 | 2 | 7802001 | COUNTER WEIGHT, LARGE - COATED | 45 | 1 | 7506901 | LABEL, FZPD PLACARD |
| 12 | 1 | 77780XX | ASSY, FZ ADJUSTER HANDLE | 46 | 1 | 6757701 | CLIP, CABLE 2-7/8 X 1 X 1 |
| 13 | 1 | 7384701 | WLDMT, FZ, SEAT SUPPORT | 47 | 1 | 7423603 | CABLE, FZPD |
| 14 | 1 | 7911101 | ASSY, SEAT CARRIAGE | 48 | 1 | 7385203 | SPACER, .406 X .750 X .500 |
| 15 | 1 | 7369801 | WLDMT, FZPD PIVOT ARM | 49 | 1 | 7425295 | BRKT, SEAT INDICATOR |
| 16 | 1 | 7369701 | WLDMT, FZPD WORK ARM LH | 50 | 2 | 3239101 | SCREW, M5X10 PHL PAN TT ST |
| 17 | 1 | 7369601 | WLDMT, FZPD WORK ARM RH | 51 | 5 | 3236201 | SCREW, M10 X1.5 20MM |
| 18 | 1 | | WLDMT, FZPD FRAME | 52 | 1 | 3239201 | SPRING, EXT, .375 X .049 X 2.00 |
| 19 | 2 | 3236701 | WASHER, FENDER 3/8" ID X 1.5" ODSS | 53 | 1 | 3237901 | ROD END, METRIC FEMALE |
| 20 | 2 | 7330002 | SPACER, INTERNAL X .653 | 54 | 1 | 3236901 | NUT, M10 X 1.5 JAM |
| 21 | 6 | 3235601 | BEARING, 6205 BALL | 55 | 4 | 3238601 | M10X1.5 THREADED INSERT (HEX) |
| 22 | 3 | 7330003 | SPACER, INTERNAL X 3.265 | 56 | 1 | 72971XX | PAD, SEAT SADDLE |
| 23 | 4 | 7308701 | CAP, BEARING HOUSING | 57 | 1 | 7422004 | LABEL, 2" ASTM WARN |
| 24 | 3 | 3236801 | NUT, M10 HEX NYLOCK SS | 58 | 1 | 7507001 | LABEL, FZPD LOGO |
| 25 | 1 | 7419701 | COVER, FOOT 10 DEG | 59 | 1 | 7524501 | LABEL, 1-9 STRAIGHT |
| 26 | 1 | 7334001 | FOOT, 2.50 X 4.49 FLOV | 60 | 1 | 7571301 | LABEL, SERIAL NUMBER |
| 27 | 1 | 7340201 | COVER, FOOT - STRAIGHT | 61 | 8 | 3251202 | SCREW, M10 X1.5 X 25MM HEX ZN |
| 28 | 6 | 3237801 | PULLEY, 4.5" OD | 62 | 1 | 7422003 | LABEL, MOVING PARTS |
| 29 | 5 | 7335401 | NUT, M10 X 1.5 SOCKET HEAD | 63 | 2 | 7326201 | CAP, D-TUBE - TOP |
| 30 | 6 | 8104501 | COVER, PULLEY-BOLTED NOTCHED | 64 | 1 | 7776501 | SHAFT, .625 X .406 X 1.200 |
| 31 | 4 | 3236207 | SCREW, M10 X1.5 50MM | 65 | 1 | 3236208 | SCREW, M10 X1.5 55MM |
| 32 | 2 | 7330001 | SPACER, INTERNAL X .403 | 66 | 2 | 7776401 | SPACER, FLANGE .406 X .495 X .81 |
| 33 | 1 | 7316502 | SHAFT, 25MM X 5.250 | 67 | 4 | 3254703 | NUT, M10 X 1.5 HEX ZINC |
| 34 | 2 | 8094101 | COVER, PULLEY-BOLTED PARTIAL | 68 | 2 | 3236206 | SCREW, M10 X1.5 45MM |

FZPD PULL DOWN SEAT CARRIAGE ASSEMBLY - 7911101



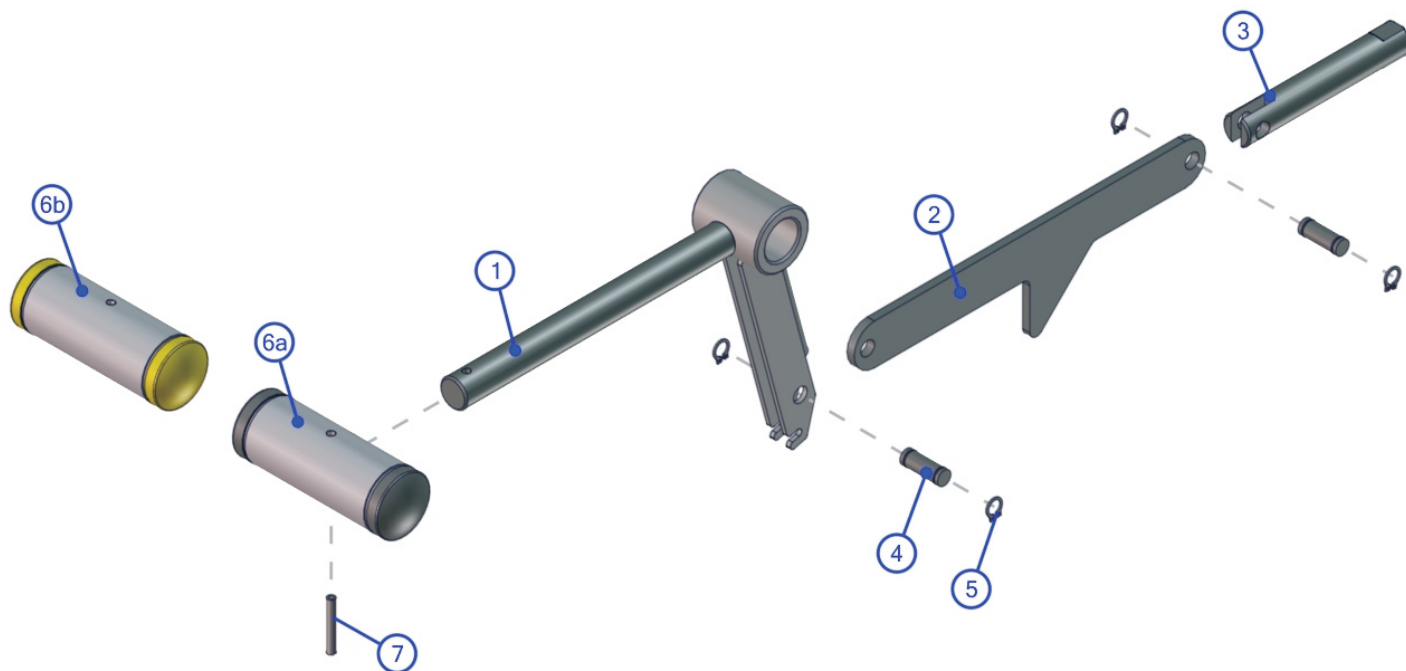
SEE PAGE 9 FOR LEGEND

FZPD PULL DOWN SEAT CARRIAGE ASSEMBLY LEGEND



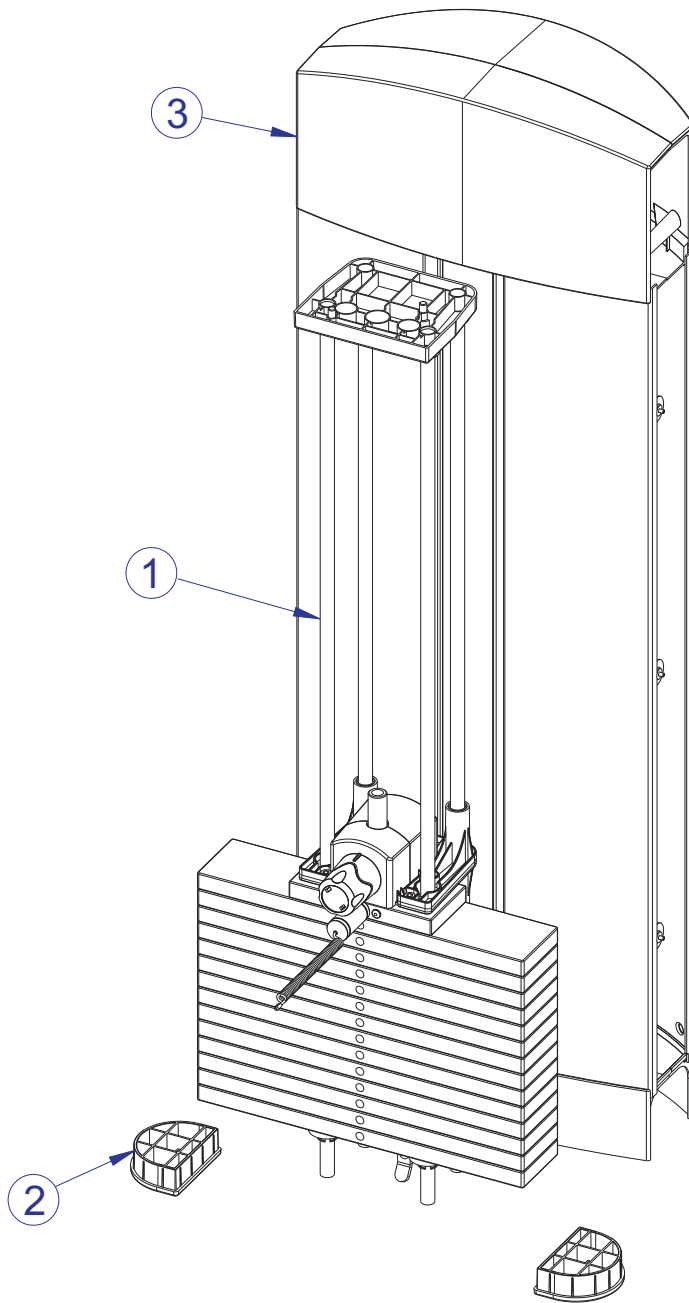
| ITEM NO. | QTY. | PART NO. | DESCRIPTION |
|----------|------|----------|----------------------------------|
| 1 | 1 | 7911295 | WLDMT, SEAT CARRIAGE SHDW GRAY |
| 2 | 7 | 7889701 | ROLLER, SEAT CARRIAGE |
| 3 | 4 | 7911901 | SPACER, .625 DIA X 16 GA. |
| 4 | 3 | 7912001 | SPRING, SEAT CARRIAGE |
| 5 | 7 | 3232408 | RING, BRE .443, 5100-46, ST,PP,B |
| 6 | 1 | 3235703 | SPRING, GAS 80N |
| 7 | 2 | 7414301 | STUD, M10 BALL END M10 X 1.5 |
| 8 | 1 | 7339401 | BRACKET, GAS SPRING |
| 9 | 1 | 7334001 | FOOT, 2.50 X 4.49 FLOV |
| 10 | 2 | 3236601 | WASHER, 3/8 SAE SS |
| 11 | 2 | 3236801 | NUT, M10 HEX NYLOCK SS |
| 12 | 2 | 3241201 | M4 PHL PAN F ST ZN |

FZPD PULL DOWN ADJUSTER HANDLE ASSEMBLY - 77780XX



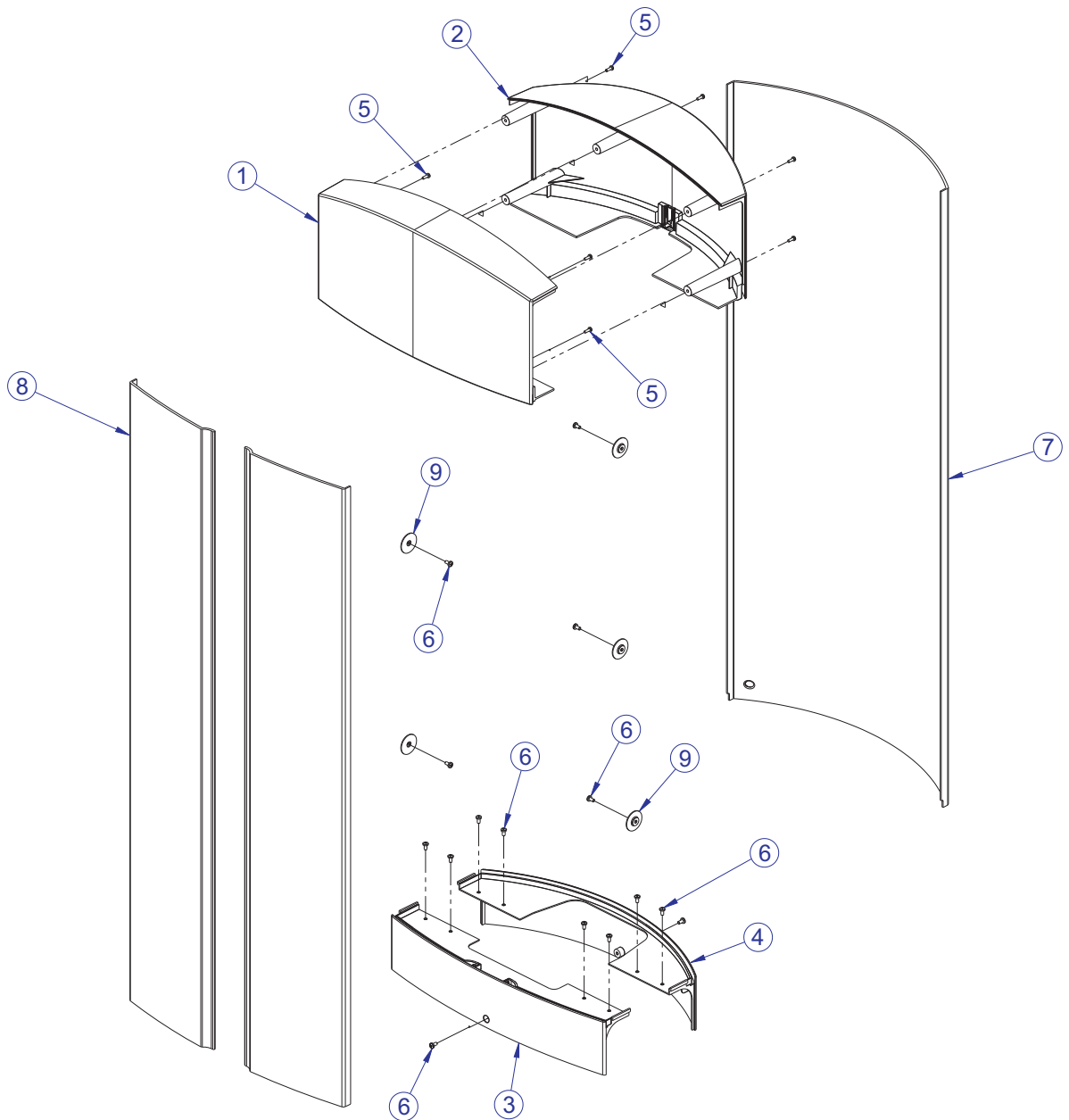
| ITEM NO. | QTY. | PART NO. | DESCRIPTION |
|----------|------|----------|---------------------------------------|
| 1 | 1 | 7777595 | WLDMT, FZ SEAT ADJ HANDLE SHADOW GRAY |
| 2 | 1 | 7331801 | LINK, ADJUSTER |
| 3 | 1 | 7331601 | PIN, INDEX |
| 4 | 2 | 7407501 | PIN, LINK |
| 5 | 4 | 3232401 | RING, RETAINING, EXTERNAL |
| 6 | a | 7287901 | HANDLE, ADJUSTER - SILVER |
| | b | 7287903 | HANDLE, ADJUSTER - YELLOW |
| 7 | 1 | 3110010 | ROLL PIN, 1/8 X 7/8 |

FZPD PULL DOWN MID-14 TOWER ASSEMBLY - 7420401



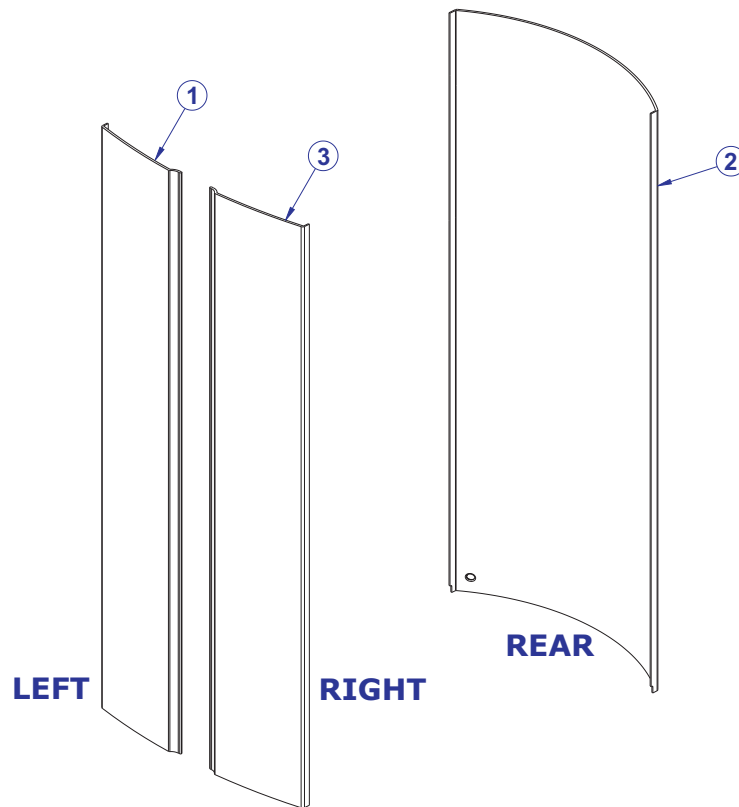
| ITEM NO. | QTY. | PART NO. | DESCRIPTION |
|----------|------|----------|---------------------------|
| 1 | 1 | 7420101 | ASSY, WEIGHT STACK MID-14 |
| 2 | 2 | 7326301 | CAP, D-TUBE-BTM |
| 3 | 1 | 7419801 | ASSY, TOWER PLASTICS-MID |


FZPD PULL DOWN STANDARD PLASTIC TOWER ASSEMBLY - 7419801





| ITEM NO. | QTY. | PART NO. | DESCRIPTION |
|----------|------|----------|-----------------------------|
| 1 | 1 | 7318601 | COVER, TOWER- TOP FRONT |
| 2 | 1 | 7318701 | COVER, TOWER- TOP REAR |
| 3 | 1 | 7318801 | COVER, TOWER- BOTTOM FRONT |
| 4 | 1 | 7318901 | COVER, TOWER- BOTTOM REAR |
| 5 | 9 | 3236501 | M4 X 0.7 PHL PAN MS ST ZN |
| 6 | 16 | 3239101 | SCREW, M5X10 PHL PAN TT ST |
| 7 | 1 | 7765701 | SHROUD, TOWER- REAR SHORT |
| 8 | 2 | 7765601 | SHROUD, TOWER- FRT SHORT RH |
| 9 | 6 | 7583501 | RETAINER, FZ SHROUD |


FZPD PULL DOWN OPTIONAL WRAPPED SHROUDS





| BAMBOO |  | ITEM NO. | QTY. | PART NO. | DESCRIPTION |
|--------|---|----------|------|----------|----------------------------------|
| | | 1 | 1 | 8954201 | SHROUD, FZ, FNT, SRT, LT -BAMBOO |
| | | 2 | 1 | 8949101 | SHROUD, FZ, REAR, SRT -BAMBOO |
| | | 3 | 1 | 8949001 | SHROUD, FZ, FNT, SRT, RT -BAMBOO |

| SKY |  | ITEM NO. | QTY. | PART NO. | DESCRIPTION |
|-----|---|----------|------|----------|-------------------------------|
| | | 1 | 1 | 8954301 | SHROUD, FZ, FNT, SRT, LT -SKY |
| | | 2 | 1 | 8949301 | SHROUD, FZ, REAR, SRT -SKY |
| | | 3 | 1 | 8949201 | SHROUD, FZ, FNT, SRT, RT -SKY |

| BRONZE |  | ITEM NO. | QTY. | PART NO. | DESCRIPTION |
|--------|---|----------|------|----------|----------------------------------|
| | | 1 | 1 | 8954401 | SHROUD, FZ, FNT, LT - BRONZE |
| | | 2 | 1 | 8949501 | SHROUD, FZ, REAR -BRONZE |
| | | 3 | 1 | 8949401 | SHROUD, FZ, FNT, SRT, RT -BRONZE |

| STEM |  | ITEM NO. | QTY. | PART NO. | DESCRIPTION |
|------|---|----------|------|----------|--------------------------------|
| | | 1 | 1 | 8954501 | SHROUD, FZ, FNT, SRT, LT -STEM |
| | | 2 | 1 | 8949701 | SHROUD, FZ, REAR, SRT -STEM |
| | | 3 | 1 | 8949601 | SHROUD, FZ, FNT, SRT, RT -STEM |

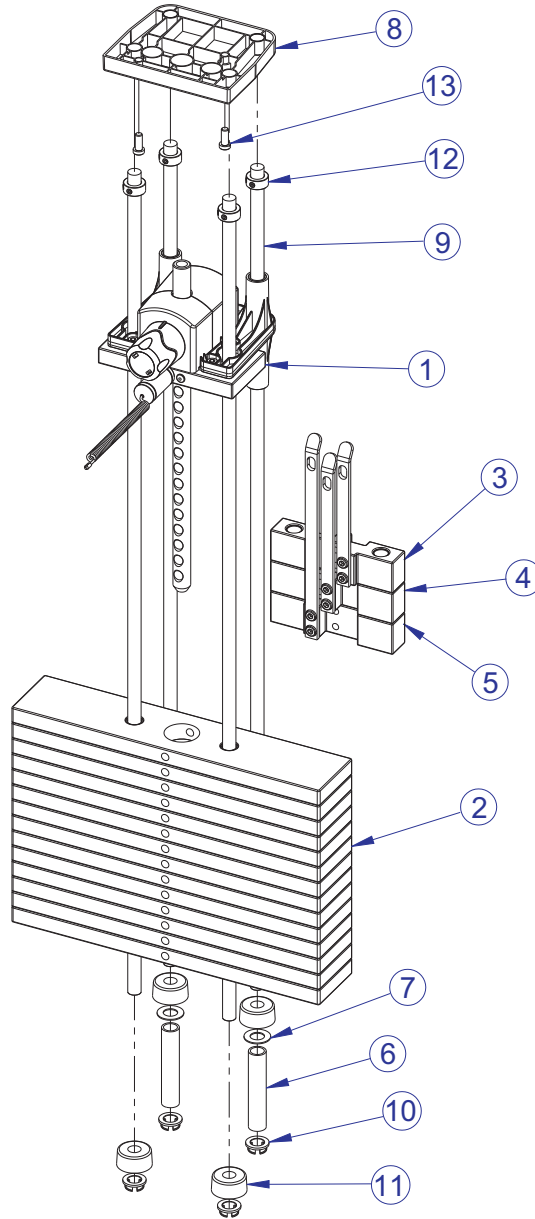
| ROSEWOOD |  | ITEM NO. | QTY. | PART NO. | DESCRIPTION |
|----------|---|----------|------|----------|------------------------------------|
| | | 1 | 1 | 8954601 | SHROUD, FZ, FNT, SRT, LT -ROSEWOOD |
| | | 2 | 1 | 8949901 | SHROUD, FZ, REAR, SRT -ROSEWOOD |
| | | 3 | 1 | 8949801 | SHROUD, FZ, FNT, SRT, RT -ROSEWOOD |

| STAINLESS STEEL |  | ITEM NO. | QTY. | PART NO. | DESCRIPTION |
|--------------------|---|----------|------|----------|---|
| | | 1 | 1 | 8954701 | SHROUD, FZ, FNT, SRT, LT -STAINLESS STEEL |
| | | 2 | 1 | 8950101 | SHROUD, FZ, REAR, SRT -STAINLESS STEEL |
| | | 3 | 1 | 8950001 | SHROUD, FZ, FNT, SRT, RT-STAINLESS STEEL |

FZPD PULL DOWN MID-14 WEIGHT STACK ASSEMBLY - 7420101

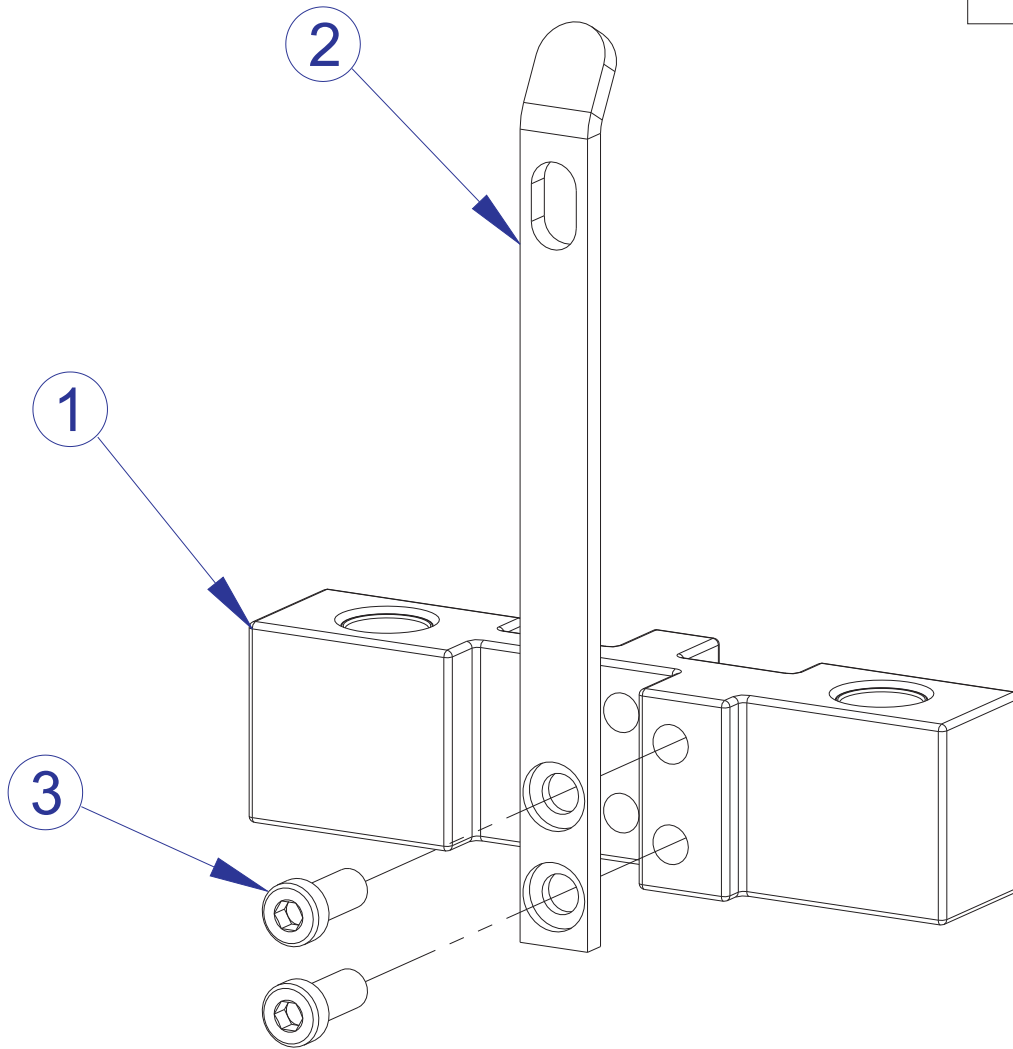
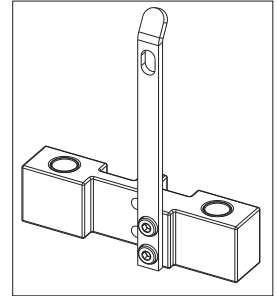
WEIGHT STACK LABELS

| | |
|---------|---------------------|
| 7927201 | LABEL, 390 LB STACK |
| 7927301 | LABEL, 195 KG STACK |



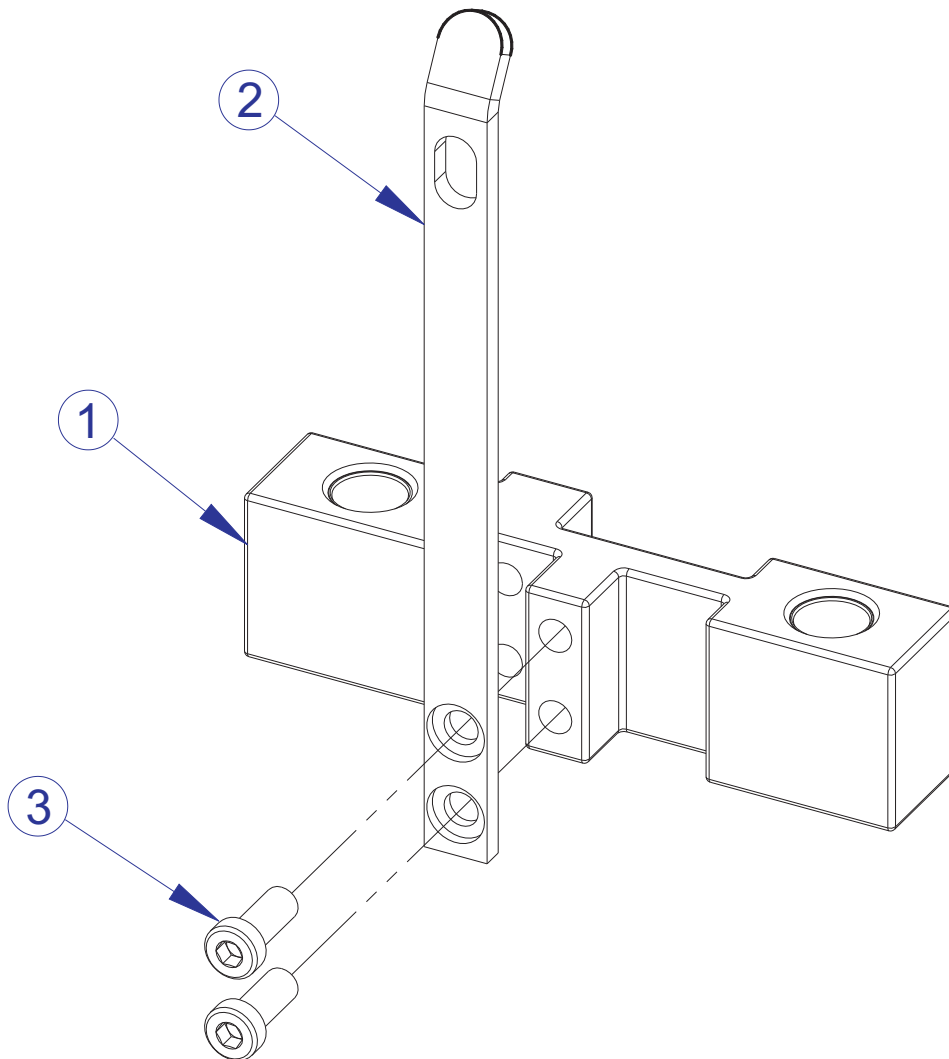
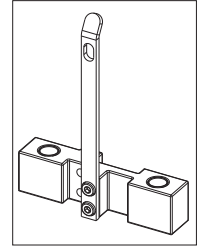
| ITEM NO. | QTY. | PART NO. | DESCRIPTION |
|----------|------|----------|---------------------------------|
| 1 | 1 | 7350701 | ASSY, HEAD PLATE (14) |
| 2 | 14 | 7328401 | WEIGHT PLATE, 20 LB |
| 3 | 1 | 7327601 | ASSY, INCREMENT WT-5LB |
| 4 | 1 | 7327701 | ASSY, INCREMENT WT-10LB |
| 5 | 1 | 7327801 | ASSY, INCREMENT WT-15LB |
| 6 | 2 | 7328701 | SPACER, INC WT STACK 14 PLT |
| 7 | 2 | 7351001 | SPACER, INC WT STACK |
| 8 | 1 | 7621101 | RETAINER, GUIDE ROD-TOP |
| 9 | 4 | 7328602 | GUIDE ROD, .75 OD SOLID X 53.50 |
| 10 | 4 | 7337901 | BUSHING, GUIDE ROD |
| 11 | 4 | 7352101 | CUSHION, WEIGHT STACK |
| 12 | 4 | 3103301 | SHAFT COLLAR, 3/4" ID ZINC |
| 13 | 2 | 3236202 | M10 X 1.5 X 25 HXS SOC CS SS |

FZPD PULL DOWN 5 LB. INCREMENT WEIGHT ASSEMBLY - 7327601



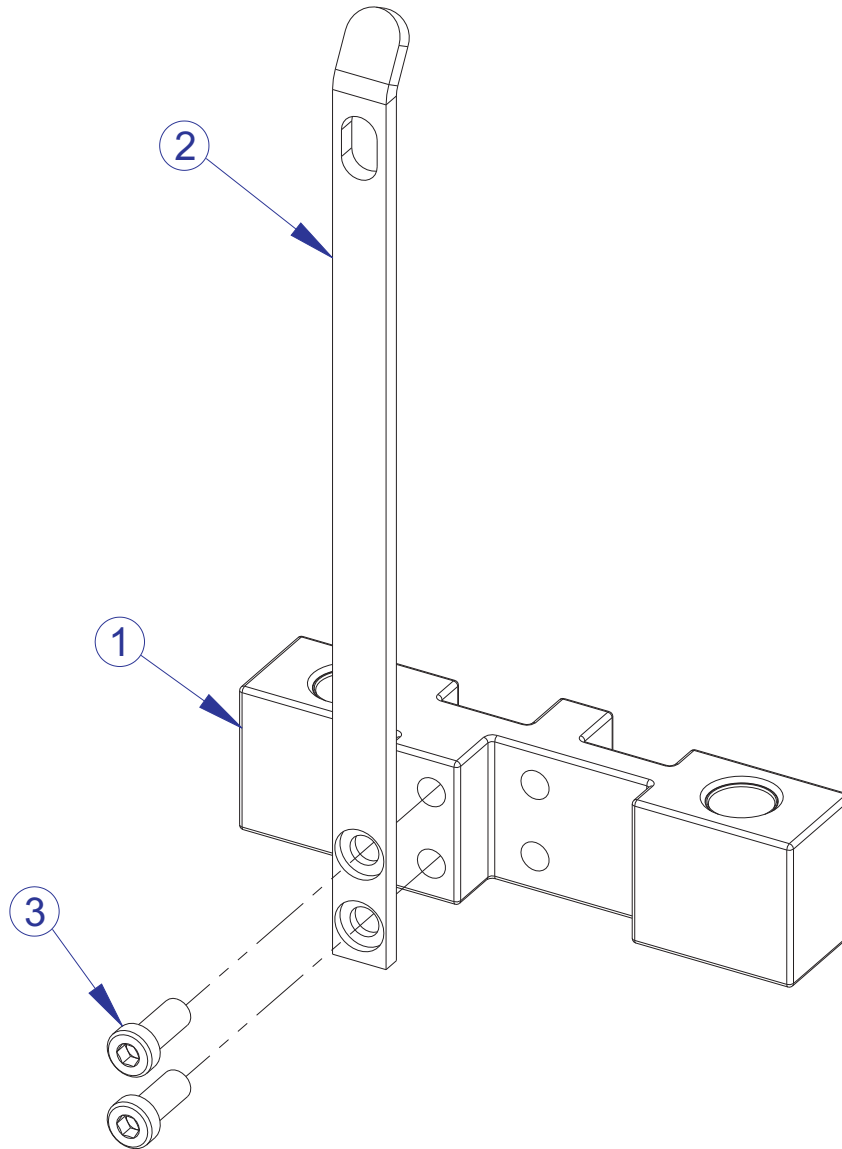
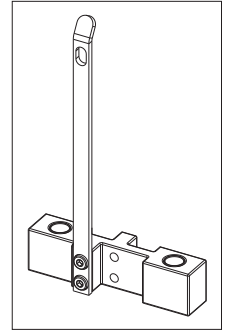
| ITEM NO. | QTY. | PART NO. | DESCRIPTION |
|----------|------|----------|---------------------------|
| 1 | 1 | 7968501 | ASSY, FZ INC WEIGHT 5LB |
| 2 | 1 | 7328001 | BRKT, INCREMENT WT - 5 LB |
| 3 | 2 | 3236202 | SCREW, M10 X1.5 25MM |

FZPD PULL DOWN 10 LB. INCREMENT WEIGHT ASSEMBLY - 7327701



| ITEM NO. | QTY. | PART NO. | DESCRIPTION |
|----------|------|----------|----------------------------|
| 1 | 1 | 7968501 | ASSY, FZ INC WEIGHT 5LB |
| 2 | 1 | 7328101 | BRKT, INCREMENT WT - 10 LB |
| 3 | 2 | 3236202 | SCREW, M10 X1.5 25MM |

FZPD PULL DOWN 15 LB. INCREMENT WEIGHT ASSEMBLY - 7327801

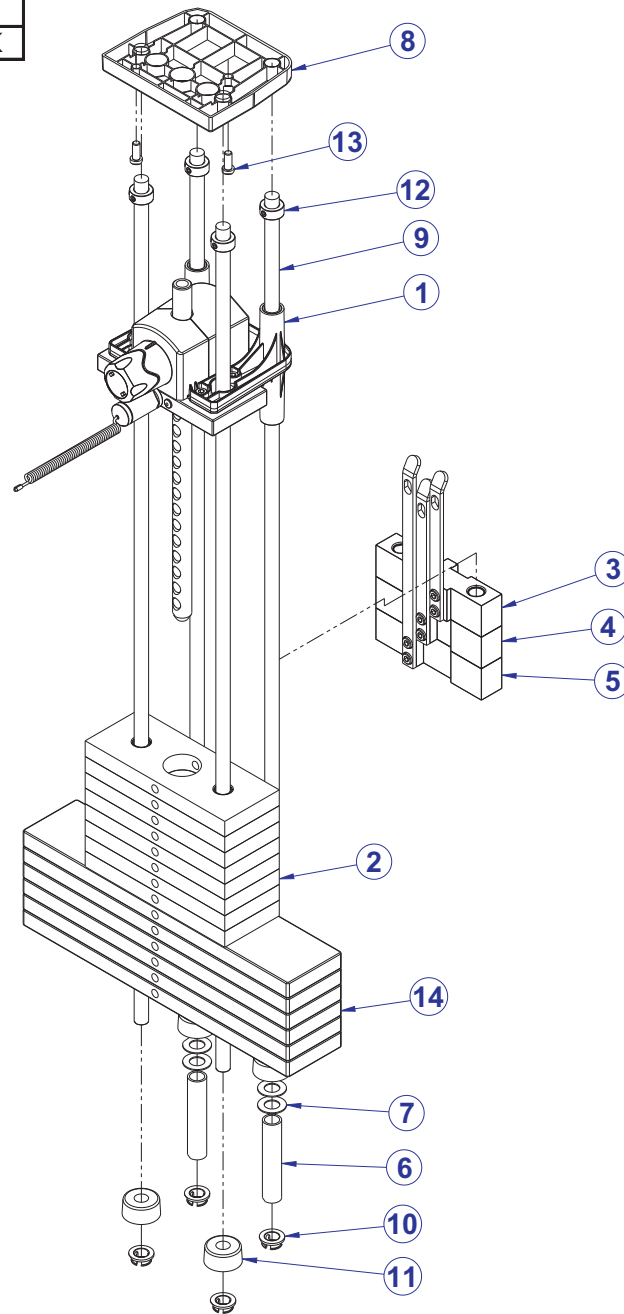


| ITEM NO. | QTY. | PART NO. | DESCRIPTION |
|----------|------|----------|----------------------------|
| 1 | 1 | 7968501 | ASSY, FZ INC WEIGHT 5LB |
| 2 | 1 | 7328201 | BRKT, INCREMENT WT - 15 LB |
| 3 | 2 | 3236202 | SCREW, M10 X1.5 25MM |

FZPD PULL DOWN

OPTIONAL LIGHT MID-14 WEIGHT STACK ASSY. - 8866201

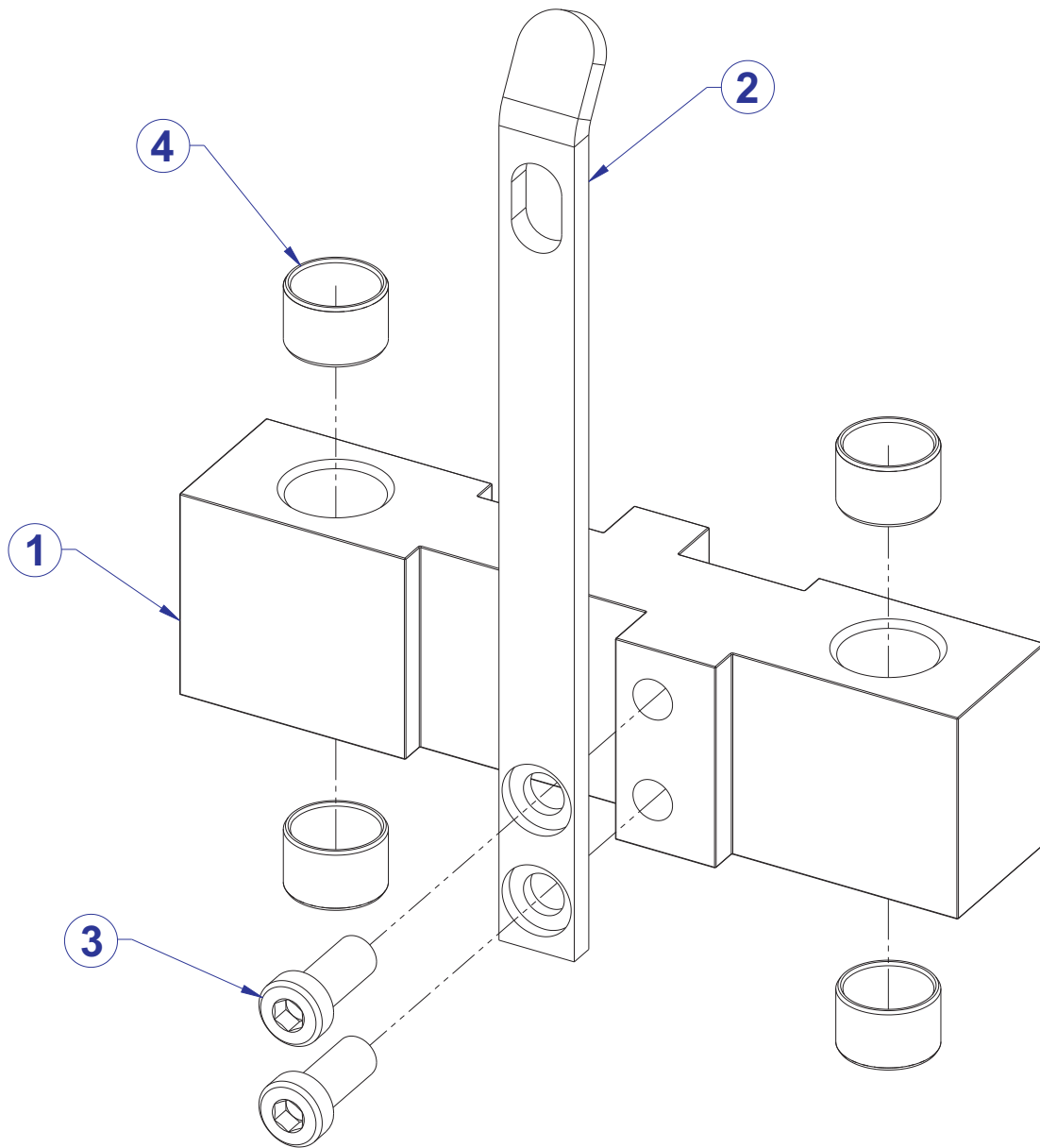
| | |
|---------------------|---------------------|
| WEIGHT STACK LABELS | |
| 8867001 | LABEL, 310 LB STACK |



| ITEM NO. | QTY. | PART NO. | DESCRIPTION |
|----------|------|----------|-------------------------------|
| 1 | 1 | 7350701 | ASSY, HEAD PLATE (14) |
| 2 | 8 | 7353701 | ASSY, 10 LB PLATE |
| 3 | 1 | 8861301 | ASSY, FZ INC WEIGHT - 2.5 LB |
| 4 | 1 | 8861401 | ASSY, FZ INC WEIGHT - 5 LB |
| 5 | 1 | 8861501 | ASSY, FZ INC WEIGHT - 7.5 LB |
| 6 | 2 | 7328701 | SPACER, INC WT STACK - 14 PLT |
| 7 | 4 | 7351001 | SPACER, INC WT STACK |
| 8 | 1 | 7621101 | RETAINER, GUIDE ROD - TOP |
| 9 | 4 | 7328602 | GUIDE ROD, .75 OD SOLID 53.50 |
| 10 | 4 | 7337901 | BUSHING, GUIDE ROD |
| 11 | 4 | 7352101 | CUSHION, WEIGHT STACK |
| 12 | 4 | 3103301 | SHAFT COLLAR, 3/4 I.D. ZINC |
| 13 | 2 | 3236202 | SCREW, M10 X1.5 25MM |
| 14 | 6 | 7328401 | WEIGHT PLATE, 20 LB |

FZPD PULL DOWN

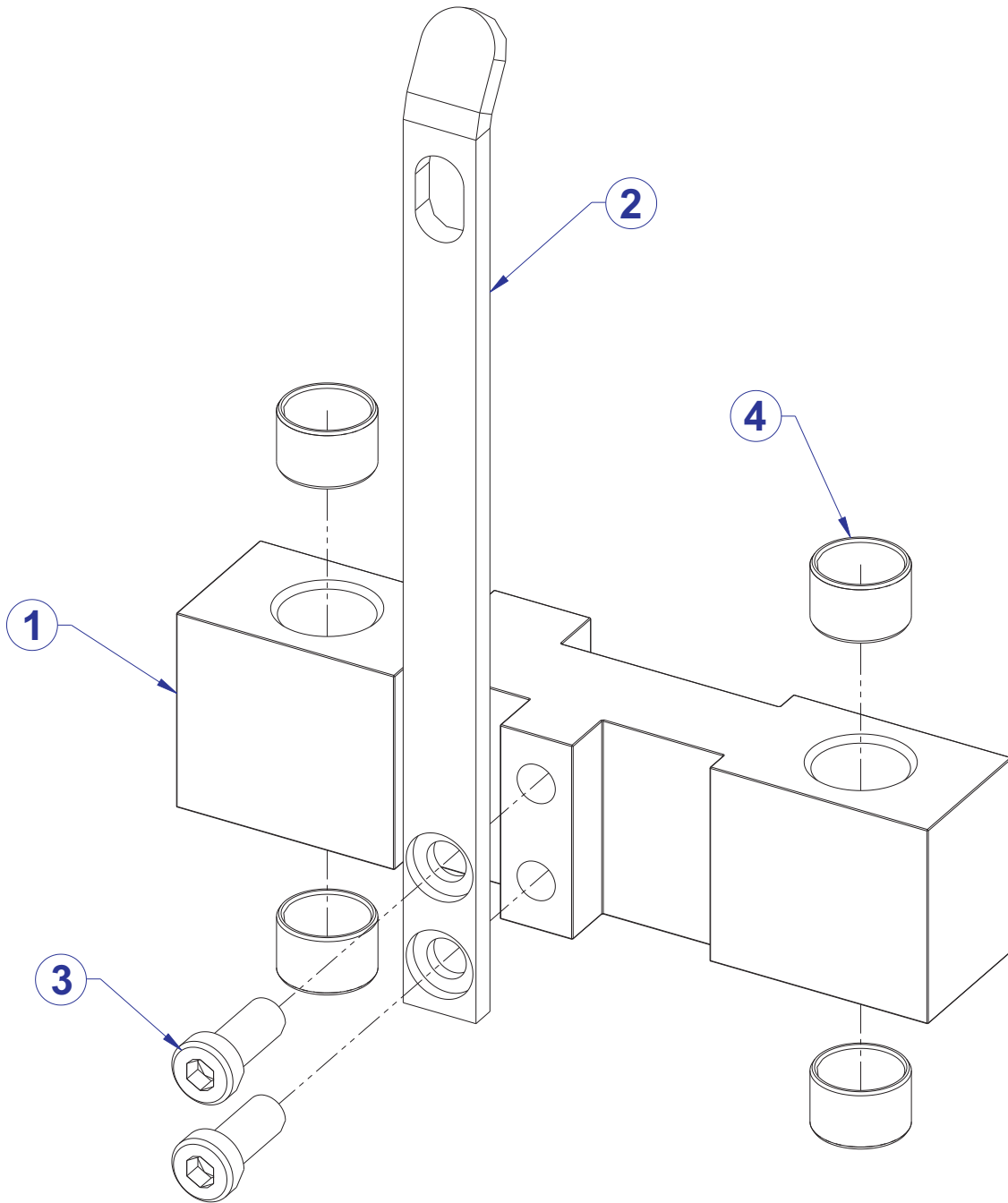
OPTIONAL 2.5 LB. INCREMENT WEIGHT ASSY. - 8861301



| ITEM NO. | QTY. | PART NO. | DESCRIPTION |
|----------|------|----------|---------------------------------------|
| 1 | 1 | 8861295 | INCREMENT WEIGHT, FZ OPTIONAL - SG |
| 2 | 1 | 7328001 | BRKT, INCREMENT WT - 5 LB |
| 3 | 2 | 3236202 | SCREW, M10 X1.5 25MM |
| 4 | 4 | 3202501 | BEARING, SLEEVE 20 ID X 23.00 X 15 MM |

FZPD PULL DOWN

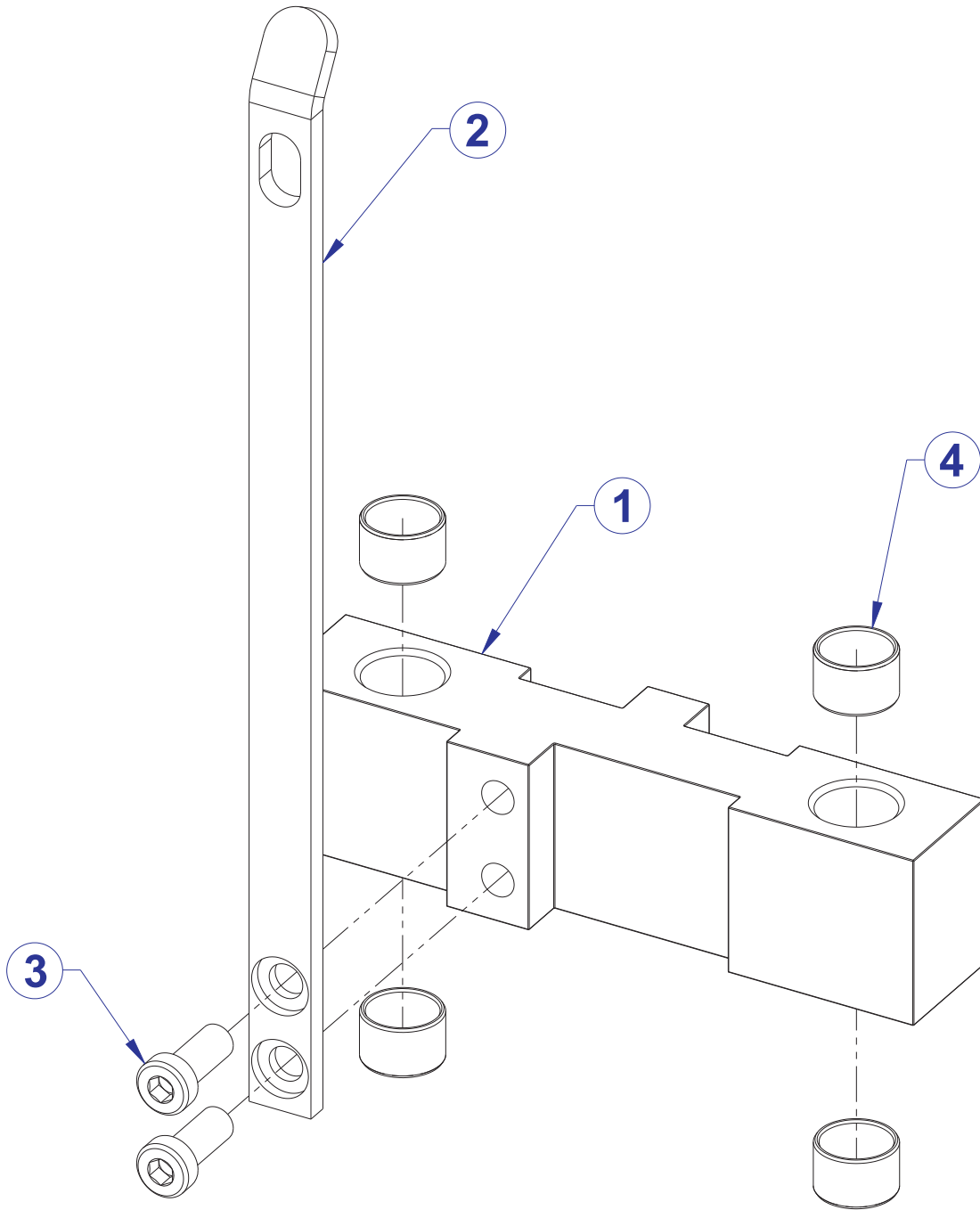
OPTIONAL 5 LB. INCREMENT WEIGHT ASSY. - 8861401



| ITEM NO. | QTY. | PART NO. | DESCRIPTION |
|----------|------|----------|---------------------------------------|
| 1 | 1 | 8861295 | INCREMENT WEIGHT, FZ OPTIONAL - SG |
| 2 | 1 | 7328101 | BRKT, INCREMENT WT - 10 LB |
| 3 | 2 | 3236202 | SCREW, M10 X1.5 25MM |
| 4 | 4 | 3202501 | BEARING, SLEEVE 20 ID X 23.00 X 15 MM |

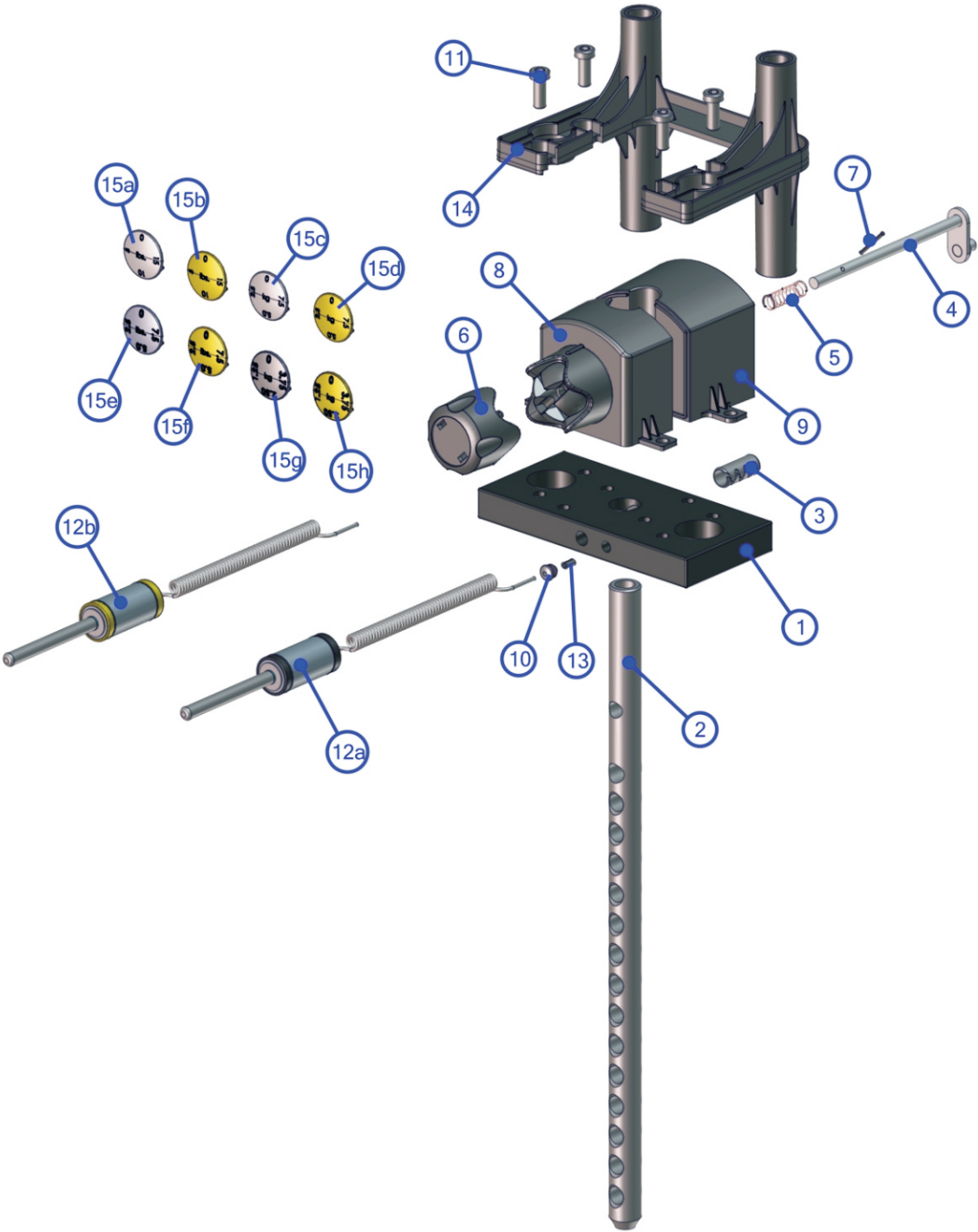
FZPD PULL DOWN

OPTIONAL 7.5 LB. INCREMENT WEIGHT ASSY. - 8861501



| ITEM NO. | QTY. | PART NO. | DESCRIPTION |
|----------|------|----------|---------------------------------------|
| 1 | 1 | 8861295 | INCREMENT WEIGHT, FZ OPTIONAL - SG |
| 2 | 1 | 7328201 | BRKT, INCREMENT WT - 15 LB |
| 3 | 2 | 3236202 | SCREW, M10 X1.5 25MM |
| 4 | 4 | 3202501 | BEARING, SLEEVE 20 ID X 23.00 X 15 MM |

FZPD PULL DOWN HEAD PLATE ASSEMBLY - 7350701



SEE PAGE 22 FOR LEGEND

FZPD PULL DOWN HEAD PLATE ASSEMBLY LEGEND

| ITEM NO. | QTY. | PART NO. | DESCRIPTION | WHERE USED | |
|----------|------|----------|------------------------------------|---|--------------------|
| 1 | 1 | 7326701 | HEAD PLATE | - | |
| 2 | 1 | 7328901 | STEM, 14 PLATE | - | |
| 3 | 1 | 3236001 | BUSHING, SPRING PIN | - | |
| 4 | 1 | 7327201 | WLDMT, INCREMENT WT PIN | - | |
| 5 | 1 | 8024501 | SPRING, 1/2 OD X 1-1/2 | - | |
| 6 | 1 | 7326101 | KNOB, INC WT SELECTOR | - | |
| 7* | 1 | 3110008 | ROLL PIN, 1/8 X 1-1/4 | - | |
| 8* | 1 | 7326401 | HOUSING, SELECTOR - FRONT | - | |
| 9* | 1 | 7326501 | HOUSING, SELECTOR - REAR | - | |
| 10 | 1 | 7356501 | PLUG, LANYARD ATTACHMENT | - | |
| 11 | 4 | 3236202 | SCREW, M10 X1.5 25MM | - | |
| 12** | a | 1 | 7338101 | ASSY, WT STACK SELECTOR PIN-SILVER | - |
| | b | | 7338103 | ASSY, WT STACK SELECTOR PIN-YELLOW | - |
| 13 | 1 | 7523601 | CRIMP, CABLE | - | |
| 14 | 1 | 8867301 | ASSY, FZ, STABILIZER WITH BUSHINGS | - | |
| 15** | a | 1 | 7398601 | CAP, SELECTOR KNOB - 5 LBS, SILVER | REG. STACK / LBS. |
| | b | | 7398603 | CAP, FZ SELECTOR KNOB - 5 LBS, YELLOW | REG. STACK / LBS. |
| | c | | 7398701 | CAP, FZ SELECTOR KNOB - 2.5 KG, SILVER | REG. STACK / KG. |
| | d | | 7398703 | CAP, FZ SELECTOR KNOB - 2.5 KG, YELLOW | REG. STACK / KG. |
| | e | | 8865801 | CAP, FZ SELECTOR KNOB - 2.5 LBS, SILVER | LIGHT STACK / LBS. |
| | f | | 8865803 | CAP, FZ SELECTOR KNOB - 2.5 LBS, YELLOW | LIGHT STACK / LBS. |
| | g | | 8946501 | CAP, FZ SELECTOR KNOB - 1.25 KG, SILVER | LIGHT STACK / KG. |
| | h | | 8946503 | CAP, FZ SELECTOR KNOB - 1.25 KG, YELLOW | LIGHT STACK / KG. |

* Kit exists for component set. See bulletin FZ02012701N

** Language specific/Weight stack item. Order separately-not part of assembly.

FZPD PULL DOWN IMAGE

