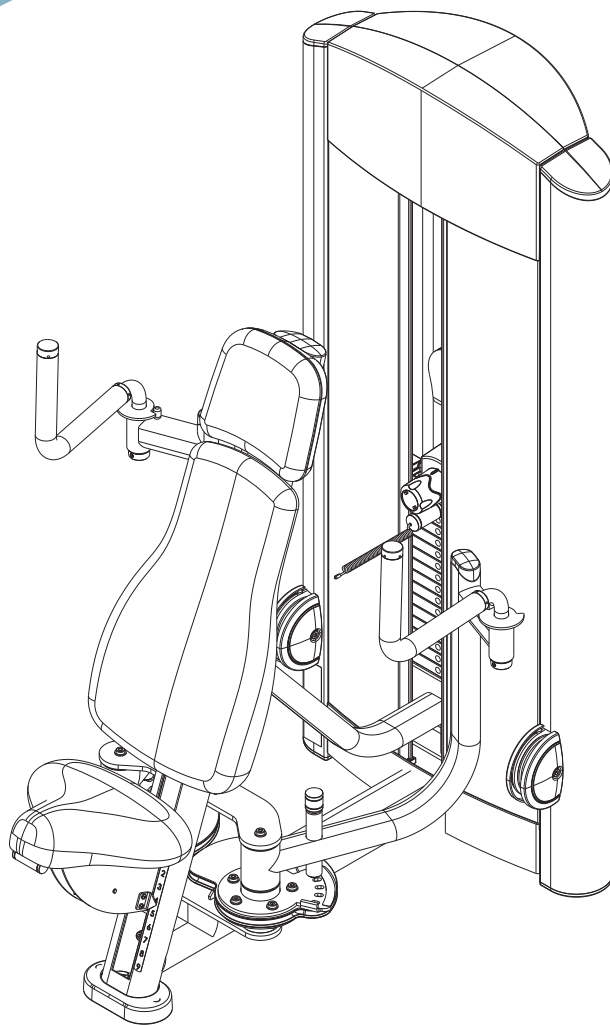


Signature Series Single Station Pectoral Fly

FZPEC

Parts List



LifeFitness
WHAT WE LIVE FOR

FZPEC PECTORAL FLY CONTENTS

FRAME AND UPHOLSTERY COLORS..... 3

OPTIONAL SHROUDS..... 4

COMPONENT ASSEMBLY..... 5

COMPONENT ASSEMBLY II..... 6

COMPONENT ASSEMBLY LEGEND..... 7

SEAT CARRIAGE ASSEMBLY..... 8

SEAT CARRIAGE ASSEMBLY LEGEND..... 9

ADJUSTER HANDLE ASSEMBLY..... 10

PEC-14 TOWER ASSEMBLY..... 11

PEC-14 TOWER ASSEMBLY LEGEND..... 12

OPTIONAL WRAPPED SHROUDS..... 13

5 LB. INCREMENT WEIGHT ASSEMBLY..... 14

10 LB. INCREMENT WEIGHT ASSEMBLY..... 15

15 LB. INCREMENT WEIGHT ASSEMBLY..... 16

OPTIONAL LIGHT PEC-14 TOWER ASSEMBLY..... 17

OPTIONAL LIGHT PEC-14 TOWER ASSEMBLY LEGEND..... 18

OPTIONAL 2.5 LB. INCREMENT WEIGHT ASSEMBLY..... 19

OPTIONAL 5 LB. INCREMENT WEIGHT ASSEMBLY..... 20

OPTIONAL 7.5 LB. INCREMENT WEIGHT ASSEMBLY..... 21

HEAD PLATE ASSEMBLY..... 22

HEAD PLATE ASSEMBLY LEGEND..... 23

IMAGE..... 24

FZPEC PECTORAL FLY FRAME AND UPHOLSTERY COLORS

Strength Frame Colors



Platinum



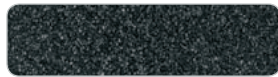
White



Black



Ice Blue Metallic



Midnight Metallic



Nickel



Blue



Red



Yellow



Candy Apple Red

Note: Include frame color in pick-slip notes when ordering frame assemblies or weldments.

Strength Upholstery Colors



American Beauty Red 07



Azure 20



Black 01



Cranberry 04



Graphite 22



Hunter Green 13



Regimental Blue 14



Royal Blue 02



Slate 03



Wheat 21



Burgundy 29



Candy Apple Red 28



Chestnut 34



Concord 16



Crocus 19



Dove Gray 37



Emerald 27



Grotto 25



Gun Metal 39



Imperial Blue 33



Jade 26



Navy 32



Northwoods Green 05



Paprika 35



Plum 30



Putty 38



Space Blue 06



Suede 08



Terra Cotta 36



Turquoise 17

Note: Replace XX with above color suffix when ordering pads (ie. 74123XX = 7412301 Black)
Use 99 suffix for custom upholstery.

FZPEC PECTORAL FLY SHROUD OPTIONS

STANDARD SHROUD NO WRAP



TRANSLUCENT



OPTIONAL StackWraps™ SHROUD + WRAP

BAMBOO



BRONZE



ROSEWOOD



SKY



STAINLESS STEEL



STEM



CO-BRANDED StackWraps™ SHROUD + WRAP

SHROUD + WRAP

(refer to co-branded parts list)



PLANET FITNESS



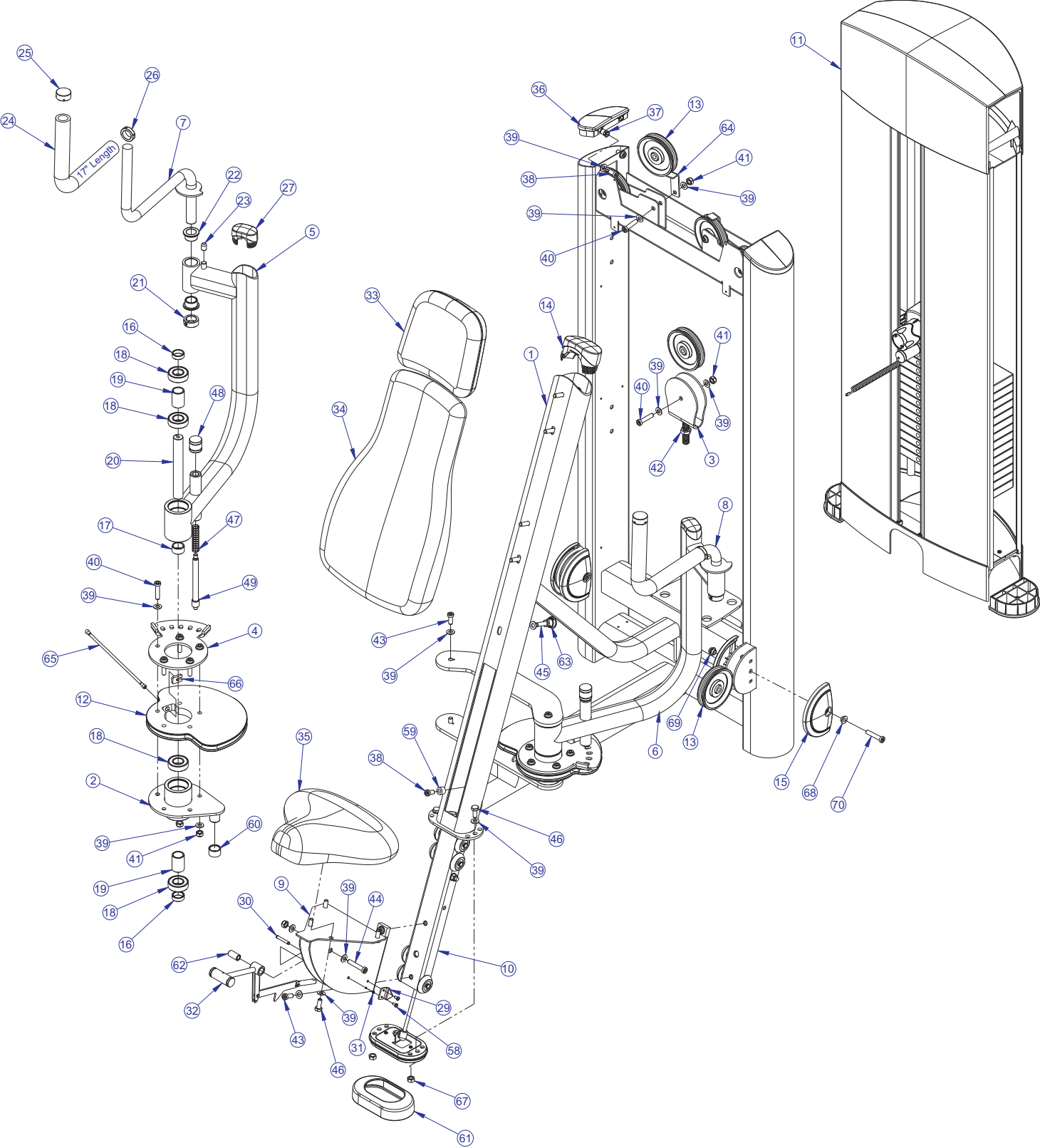
BLINK FITNESS



RETRO FITNESS

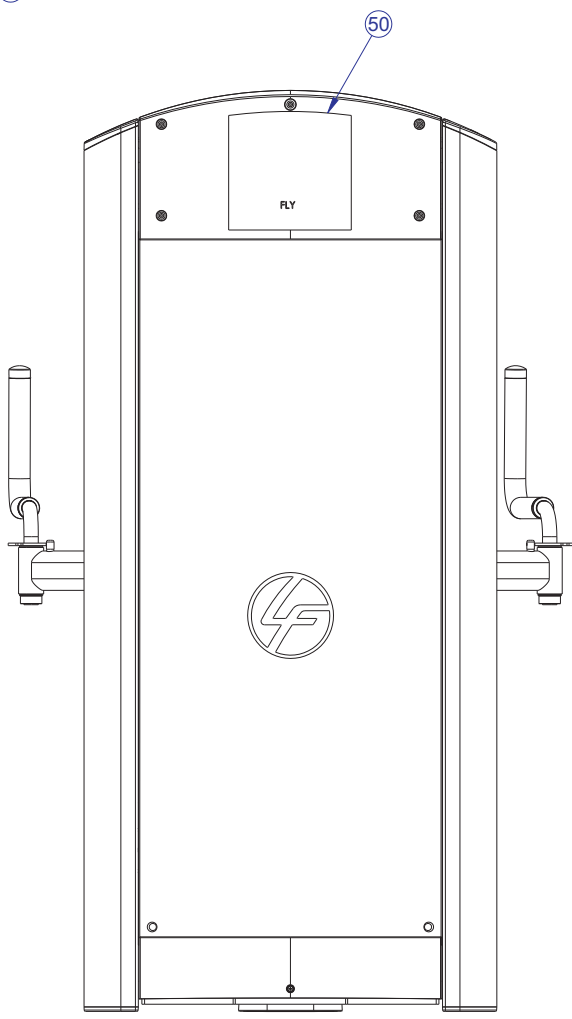
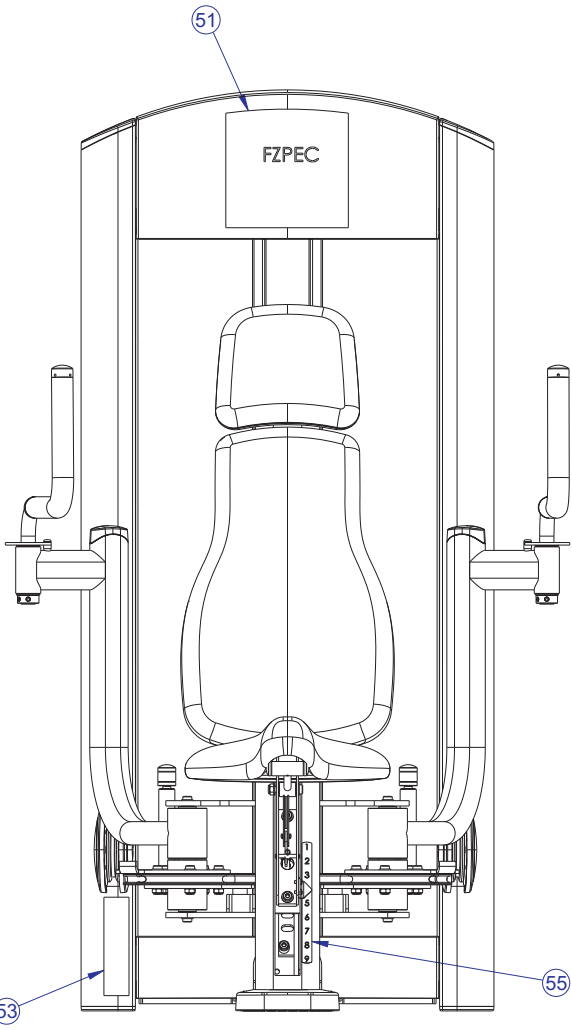
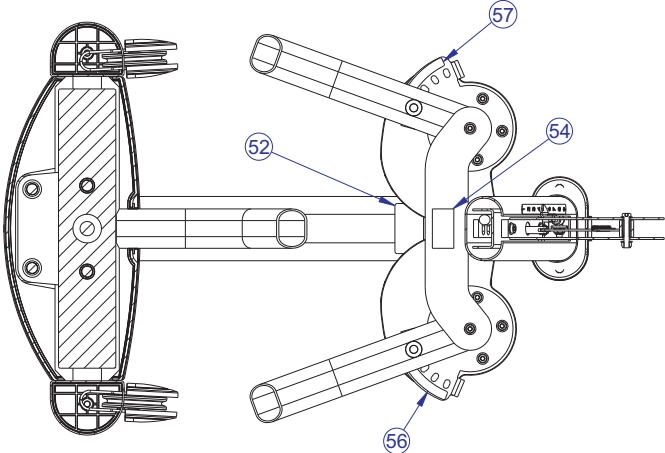


FZPEC PECTORAL FLY COMPONENT ASSEMBLY



SEE PAGE 7 FOR LEGEND

FZPEC PECTORAL FLY COMPONENT ASSEMBLY II

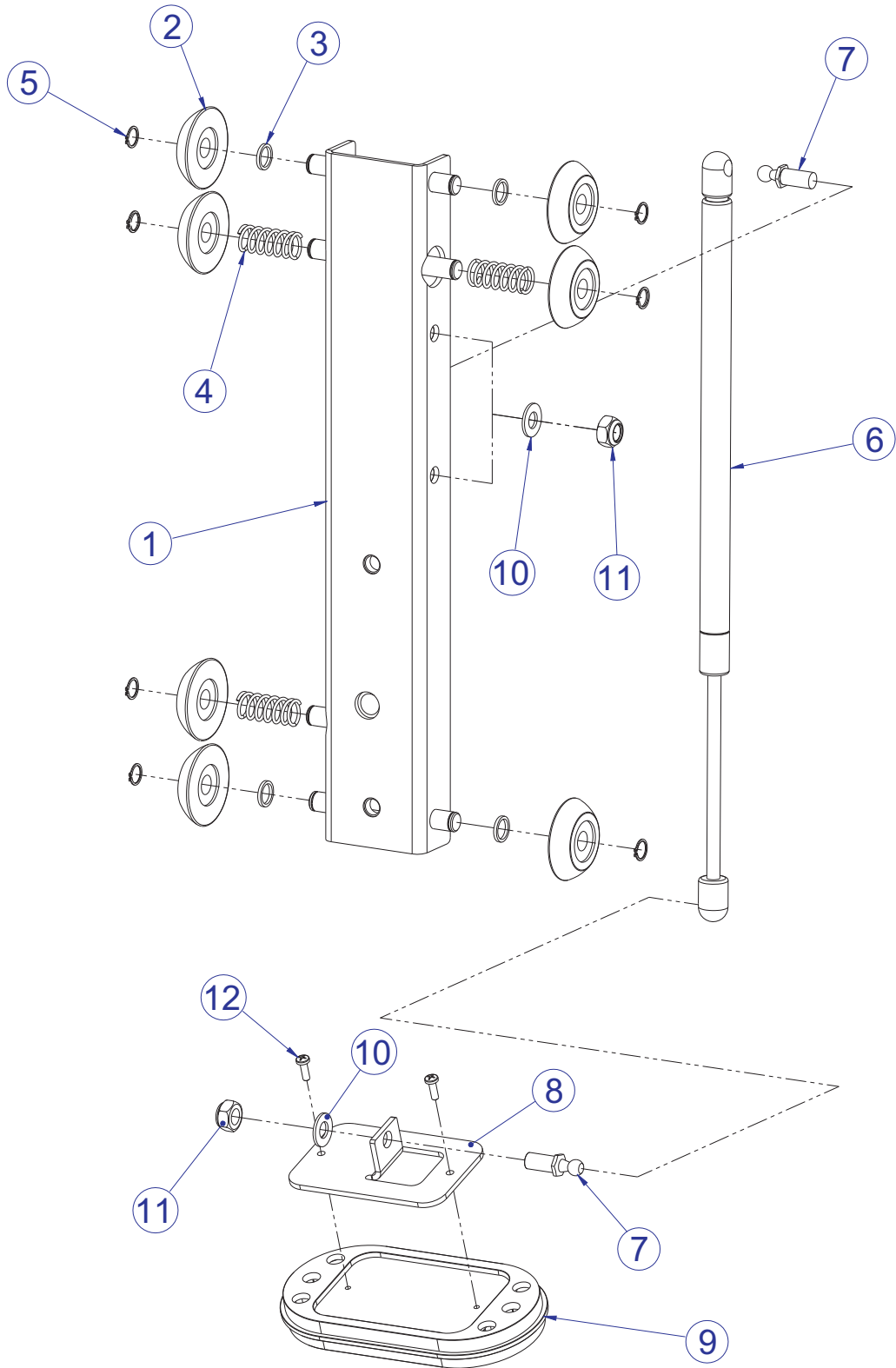


SEE PAGE 7 FOR LEGEND

FZPEC PECTORAL FLY COMPONENT ASSEMBLY LEGEND

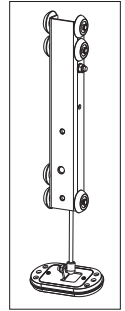
ITEM NO.	QTY.	PART NO.	DESCRIPTION
1	1		WLDMT, FZPEC, MAIN FRAME
2	2	8165001	WLDMT, FZPEC, PIVOT HSNG
3	1	7625095	WLDMT, FZ WT STK PULLEY BRKT
4	2	8165201	BRKT, FZPEC, CAM ADJ.
5	1	8164801	WLDMT, FZPEC, PRESS ARM -RT
6	1	8164601	WLDMT, FZPEC, PRESS ARM - LH
7	1	7486001	WLDMT, FZFLY HANDLE - RT
8	1	7486101	WLDMT, FZFLY HANDLE - LT
9	1	7330501	WLDMT, FZ SEAT SUPPORT
10	1	7911101	ASSY, SEAT CARRIAGE
11	1	8165301	ASSY, FZPEC TOWER - 14
12	2	8165501	CAM, FZPEC
13	7	3237801	PULLEY, 4.5" OD
14	1	7333901	CAP, LARGE FLOV- END
15	4	8094101	COVER, PULLEY-BOLTED PARTIAL
16	4	7330001	SPACER, INTERNAL X .403
17	2	7330002	SPACER, INTERNAL X .653
18	8	3235601	BEARING, 6205 BALL
19	4	7330006	SPACER, INTERNAL X 1.765
20	2	7316509	SHAFT, 25MM X 13.740
21	2	7435301	COLLAR, SHAFT 1.020 ID
22	4	3104903	1.00" ID 1.25" OD BRONZ BUSHING
23	2	3238501	CAP, 1/2 X 5/8
24	2	3235802	GRIP, 1.00 ID X .25 X 17.50
25	2	7662902	CAP, GRIP 1.50 OD
26	2	7662802	RING, GRIP 1.50 OD
27	2	7333801	CAP, SMALL FLOV- END
28	1	3239201	SPRING, EXT, .375 X .049 X 2.00
29	1	7425295	BRKT, SEAT INDICATOR
30	1	7407502	PIN, LINK
31	2	3232401	RING, RETAINING, EXTERNAL
32	1	77780XX	ASSY, FZ ADJUSTER HANDLE
33	1	74743XX	PAD, HEAD REST
34	1	74741XX	PAD, LARGE BACK
35	1	72971XX	PAD, SEAT SADDLE
36	2	7326201	CAP, D-TUBE - TOP
37	4	3238601	M10X1.5 THREADED INSERT (HEX)
38	5	3236201	SCREW, M10 X1.5 20MM
39	54	3236601	WASHER, 3/8 SAE SS
40	15	3236206	SCREW, M10 X1.5 45MM
41	16	3236801	NUT, M10 HEX NYLOCK SS
42	1	3236902	NUT, M16 X 2 HEX JAM SS
43	6	3236202	SCREW, M10 X1.5 25MM
44	1	3236208	SCREW, M10 X1.5 55MM
45	5	3251204	SCREW, M10 X1.5 X 35MM HEX ST ZN
46	6	3251202	SCREW, M10 X1.5 X 25MM HEX ST ZN
47	2	7351501	SPRING; PULL PIN LARGE
48	2	7424801	KNOB, POP PIN, SHADOW GRAY
		7424803	KNOB, POP PIN, YELLOW
49	2	7425102	PIN, PULL X 6.75
50	1	7603001	LABEL, FZFLY LOGO
51	1	8173201	LABEL, FZPEC, PLACARD
52	1	7571301	LABEL, SERIAL NUMBER
53	1	7422004	LABEL, 2" ASTM WARN
54	1	7422003	LABEL, MOVING PARTS
55	1	7524501	LABEL, 1-9 STRAIGHT
56	1	8171401	LABEL, FZPEC, 1-5 CURVED LH
57	1	8171301	LABEL, FZPEC 1-5 CURVED RT
58	2	3239101	SCREW, M5X10 PHL PAN TT ST
59	1	7385203	SPACER, .406 X .750 X .500
60	2	7690101	BUMPER, SLEEVE - 1 INCH DIA
61	1	7419601	COVER, FOOT-20 DEG.
62	1	7776501	SHAFT, .625 X .406 X 1.200
63	5	3237403	PLUG, 1" HOLE
64	2	6757701	CLIP, CABLE 2-7/8 X 1 X 1
65	1	7423809	CABLE, FZPEC 224-1/2
66	2	7342201	PLATE, CABLE END
67	2	3254703	NUT, M10 X 1.5 HEX ZINC
68	2	7630101	RETAINER, CM/MJ, PULLEY
69	2	7335401	NUT, M10 X 1.5 SOCKET HEAD
70	2	3236207	SCREW, M10 X1.5 50MM

FZPEC PECTORAL FLY SEAT CARRIAGE ASSEMBLY - 7911101



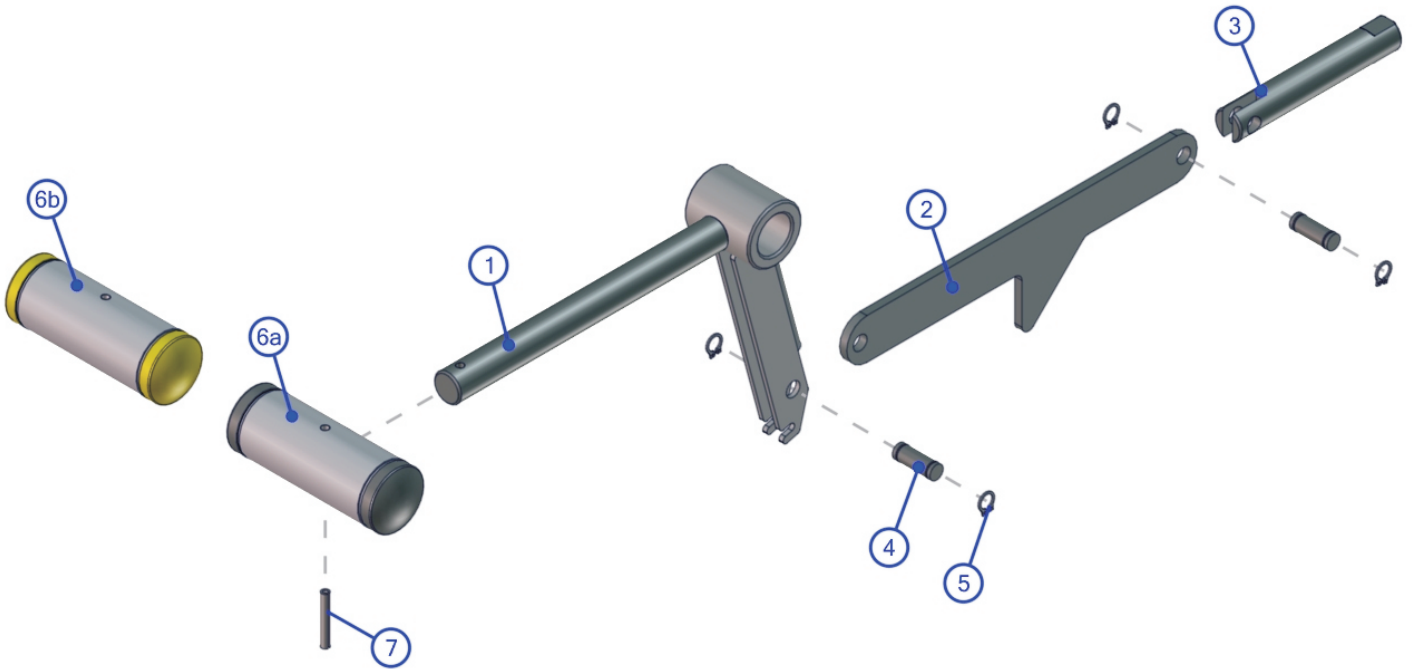
SEE PAGE 9 FOR LEGEND

FZPEC PECTORAL FLY SEAT CARRIAGE ASSEMBLY LEGEND



ITEM NO.	QTY.	PART NO.	DESCRIPTION
1	1	7911295	WLDMT, SEAT CARRIAGE SHDW GRAY
2	7	7889701	ROLLER, SEAT CARRIAGE
3	4	7911901	SPACER, .625 DIA X 16 GA
4	3	7912001	SPRING, SEAT CARRIAGE
5	7	3232408	RNG, BRE .443,5100-46,ST,PP,B
6	1	3235703	SPRING, GAS 80N
7	2	7414301	STUD, M10 BALL END M10 X 1.5
8	1	7339401	BRACKET, GAS SPRING
9	1	7334001	FOOT, 2.50 X 4.49 FLOV, 10-0074-046, BNR
10	2	3236601	WASHER,3/8 SAE STAINLESS STEEL
11	2	3236801	NUT, NYLOCK M10 X 1.5 SS
12	2	3241201	M4 X 13 PHL PAN F ST ZN

FZPEC PECTORAL FLY ADJUSTER HANDLE ASSEMBLY - 77780XX

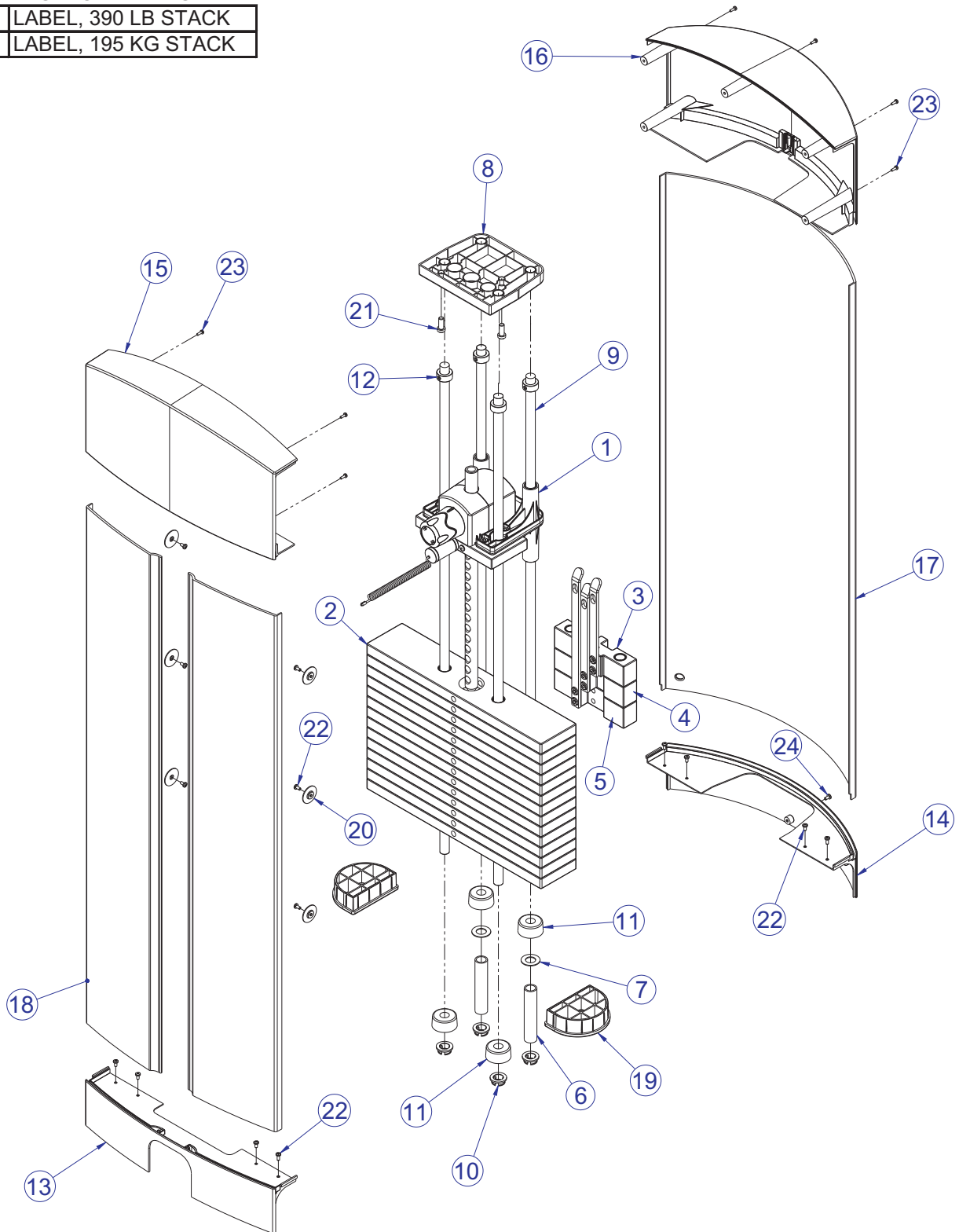


ITEM NO.	QTY.	PART NO.	DESCRIPTION
1	1	7777595	WLDMT, FZ SEAT ADJ HANDLE SHADOW GRAY
2	1	7331801	LINK, ADJUSTER
3	1	7331601	PIN, INDEX
4	2	7407501	PIN, LINK
5	4	3232401	RING, RETAINING, EXTERNAL
6	a	7287901	HANDLE, ADJUSTER - SILVER
	b	7287903	HANDLE, ADJUSTER - YELLOW
7	1	3110010	ROLL PIN, 1/8 X 7/8

FZPEC PECTORAL FLY PEC-14 TOWER ASSEMBLY - 8165301

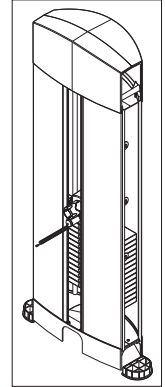
WEIGHT STACK LABELS

7927201	LABEL, 390 LB STACK
7927301	LABEL, 195 KG STACK



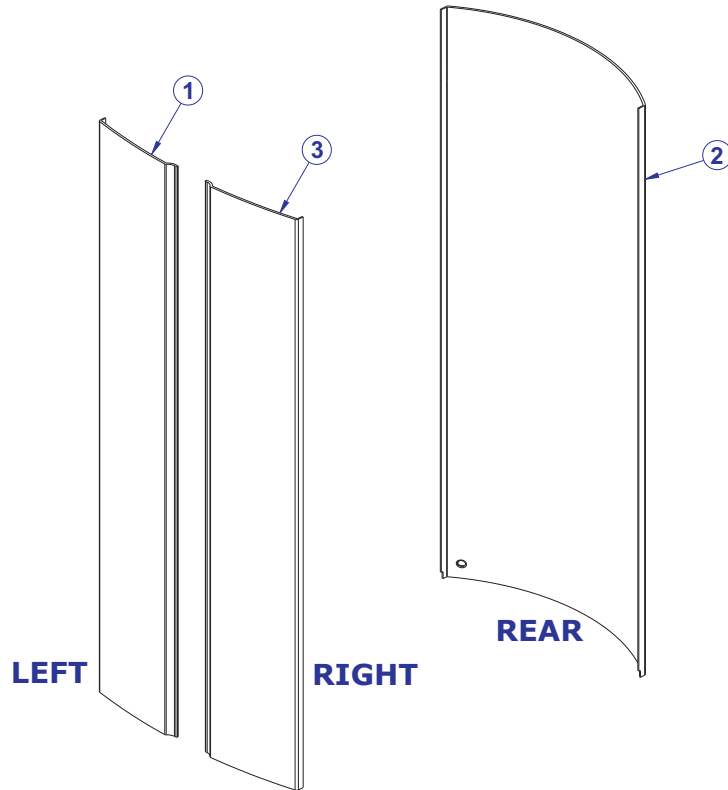
SEE PAGE 12 FOR LEGEND


FZPEC PECTORAL FLY PEC-14 TOWER ASSEMBLY LEGEND





ITEM NO.	QTY.	PART NO.	DESCRIPTION
1	1	7350701	ASSY, HEAD PLATE (14)
2	14	7328401	WEIGHT PLATE, 20 LB
3	1	7327601	ASSY, INCREMENT WT - 5 LB
4	1	7327701	ASSY, INCREMENT WT - 10 LB
5	1	7327801	ASSY, INCREMENT WT - 15 LB
6	2	7328701	SPACER, INC WT STACK - 14 PLT
7	2	7351001	SPACER, INC WT STACK
8	1	7621101	RETAINER, GUIDE ROD - TOP
9	4	7328619	GUIDE ROD, .75 OD SOLID 47.00
10	4	7337901	BUSHING, GUIDE ROD
11	4	7352101	CUSHION, WEIGHT STACK
12	4	3103301	SHAFT COLLAR, 3/4 I.D. ZINC
13	1	8170301	COVER, FZPEC, TOWER- BOTTOM FRONT
14	1	7318901	COVER, TOWER- BOTTOM REAR
15	1	7318601	COVER, TOWER- TOP FRONT
16	1	7318701	COVER, TOWER- TOP REAR
17	1	7765701	SHROUD, TOWER- REAR SHORT
18	2	7765601	SHROUD, TOWER- FRT SHORT RH
19	2	7326301	CAP, D-TUBE - BOTTOM
20	6	7583501	RETAINER, FZ SHROUD
21	2	3236202	SCREW, M10 X1.5 25MM
22	13	3239101	SCREW, M5X10 PHL PAN TT ST
23	9	3236501	M4 X 0.7 PHL PAN MS ST ZN
24	2	3239102	SCREW, M5X12 PHL PAN TT ST BZ


FZPEC PECTORAL FLY OPTIONAL WRAPPED SHROUDS





BAMBOO		ITEM NO.	QTY.	PART NO.	DESCRIPTION
		1	1	8954201	SHROUD, FZ, FNT, SRT, LT -BAMBOO
		2	1	8949101	SHROUD, FZ, REAR, SRT -BAMBOO
		3	1	8949001	SHROUD, FZ, FNT, SRT, RT -BAMBOO

SKY		ITEM NO.	QTY.	PART NO.	DESCRIPTION
		1	1	8954301	SHROUD, FZ, FNT, SRT, LT -SKY
		2	1	8949301	SHROUD, FZ, REAR, SRT -SKY
		3	1	8949201	SHROUD, FZ, FNT, SRT, RT -SKY

BRONZE		ITEM NO.	QTY.	PART NO.	DESCRIPTION
		1	1	8954401	SHROUD, FZ, FNT, LT - BRONZE
		2	1	8949501	SHROUD, FZ, REAR -BRONZE
		3	1	8949401	SHROUD, FZ, FNT, SRT, RT -BRONZE

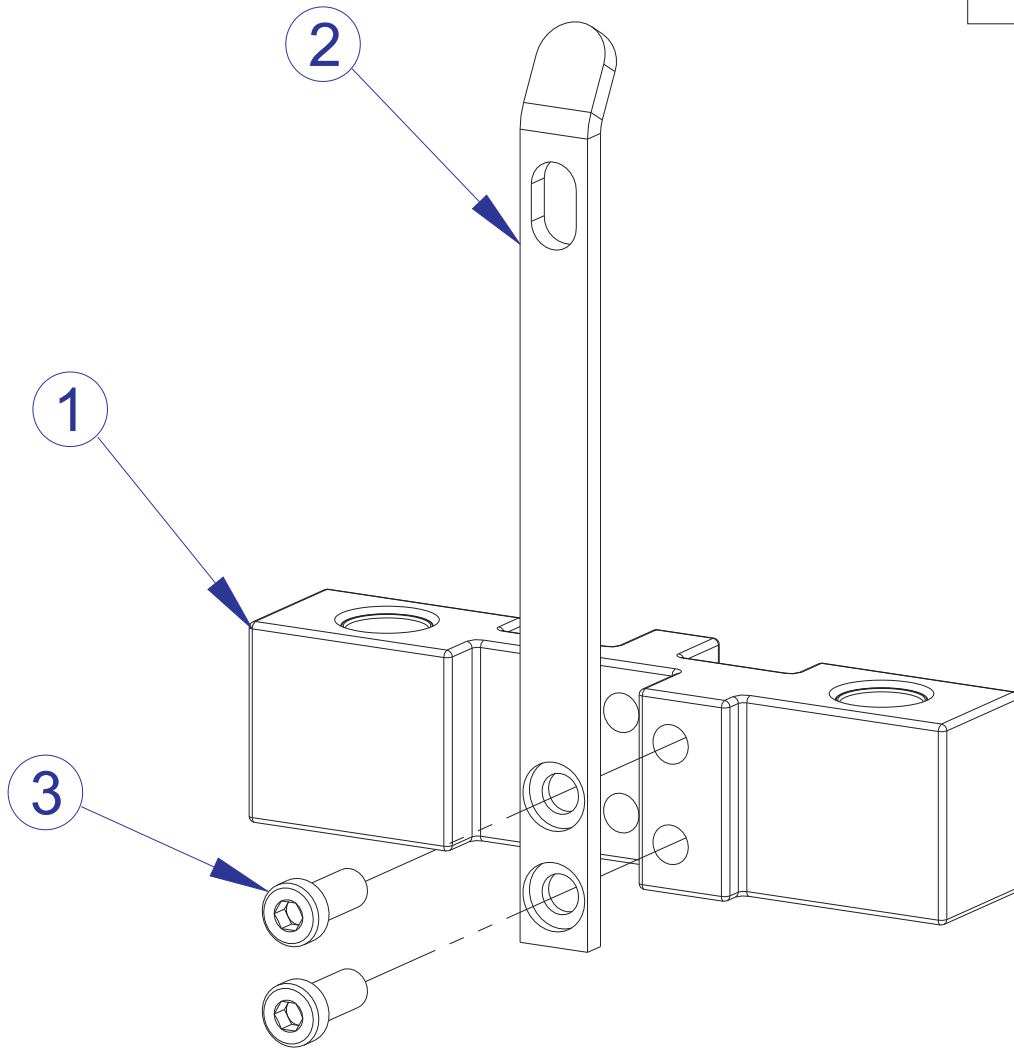
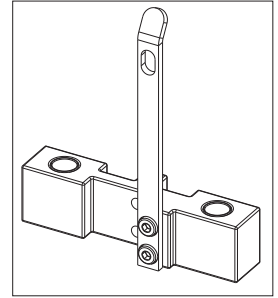
STEM		ITEM NO.	QTY.	PART NO.	DESCRIPTION
		1	1	8954501	SHROUD, FZ, FNT, SRT, LT -STEM
		2	1	8949701	SHROUD, FZ, REAR, SRT -STEM
		3	1	8949601	SHROUD, FZ, FNT, SRT, RT -STEM

ROSEWOOD		ITEM NO.	QTY.	PART NO.	DESCRIPTION
		1	1	8954601	SHROUD, FZ, FNT, SRT, LT -ROSEWOOD
		2	1	8949901	SHROUD, FZ, REAR, SRT -ROSEWOOD
		3	1	8949801	SHROUD, FZ, FNT, SRT, RT -ROSEWOOD

STAINLESS STEEL		ITEM NO.	QTY.	PART NO.	DESCRIPTION
		1	1	8954701	SHROUD, FZ, FNT, SRT, LT -STAINLESS STEEL
		2	1	8950101	SHROUD, FZ, REAR, SRT -STAINLESS STEEL
		3	1	8950001	SHROUD, FZ, FNT, SRT, RT-STAINLESS STEEL

FZPEC PECTORAL FLY

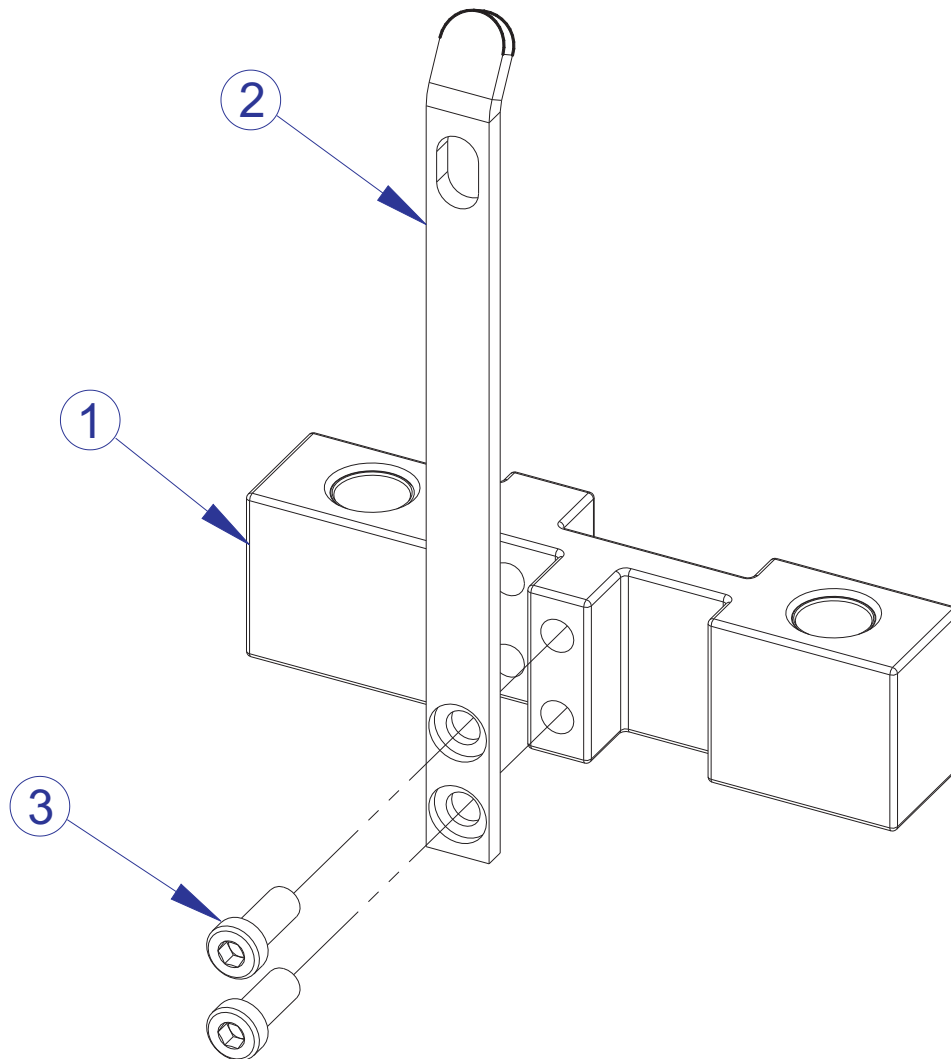
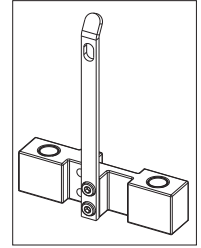
5 LB. INCREMENT WEIGHT ASSEMBLY - 7327601



ITEM NO.	QTY.	PART NO.	DESCRIPTION
1	1	7968501	ASSY, FZ INC WEIGHT 5LB
2	1	7328001	BRKT, INCREMENT WT - 5 LB
3	2	3236202	SCREW, M10 X1.5 25MM

FZPEC PECTORAL FLY

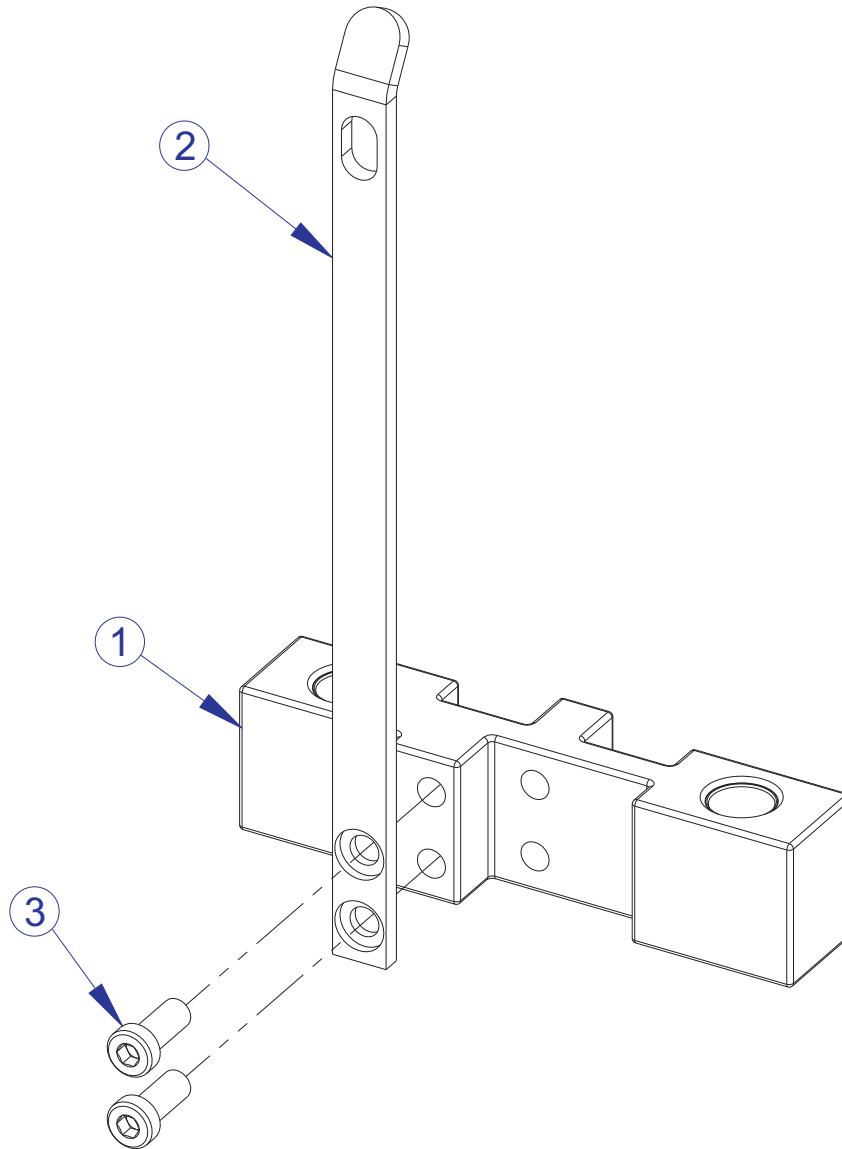
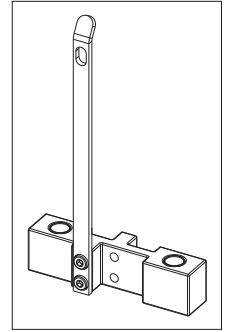
10 LB. INCREMENT WEIGHT ASSEMBLY - 7327701



ITEM NO.	QTY.	PART NO.	DESCRIPTION
1	1	7968501	ASSY, FZ INC WEIGHT 5LB
2	1	7328101	BRKT, INCREMENT WT - 10 LB
3	2	3236202	SCREW, M10 X1.5 25MM

FZPEC PECTORAL FLY

15 LB. INCREMENT WEIGHT ASSEMBLY - 7327801

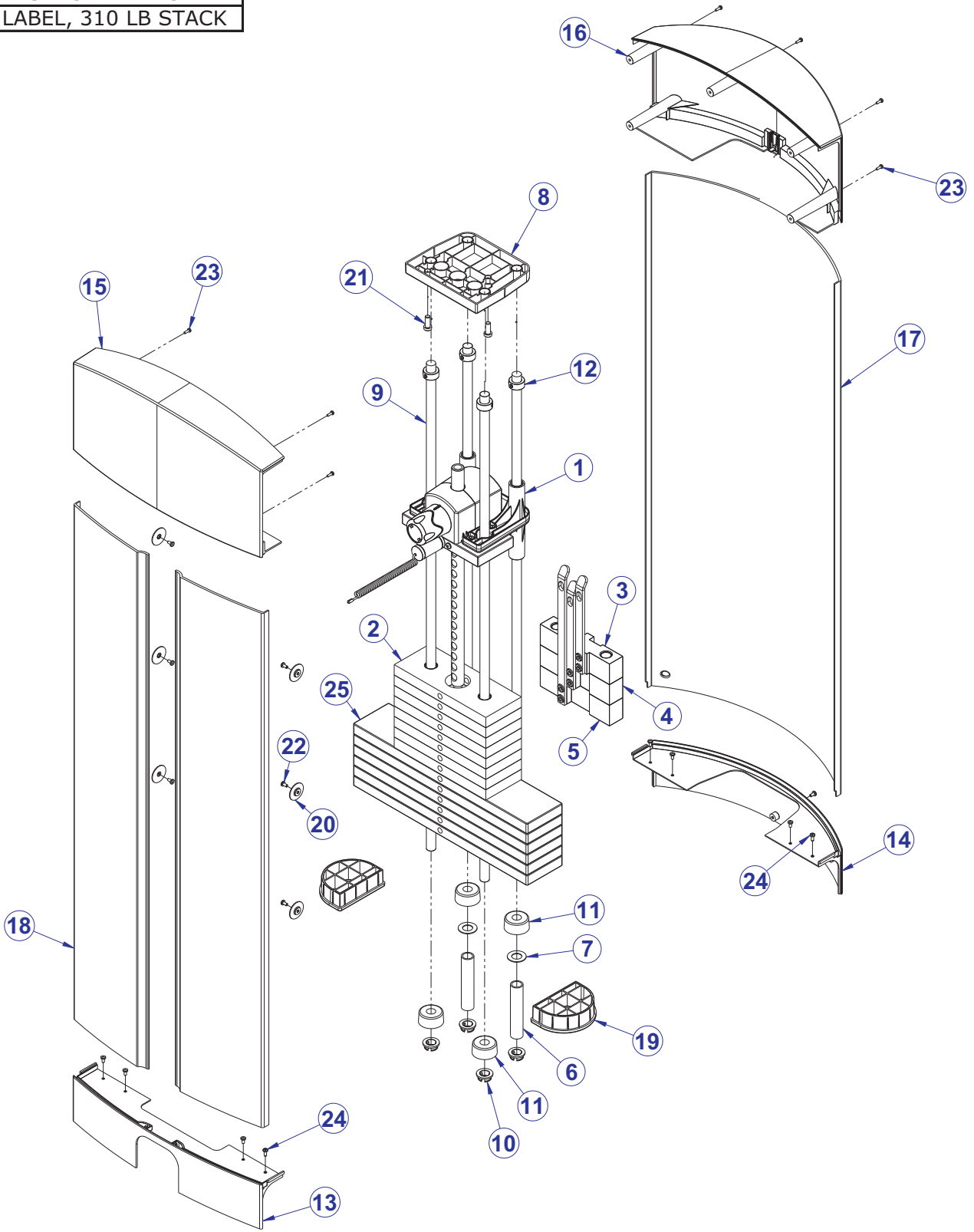


ITEM NO.	QTY.	PART NO.	DESCRIPTION
1	1	7968501	ASSY, FZ INC WEIGHT 5LB
2	1	7328201	BRKT, INCREMENT WT - 15 LB
3	2	3236202	SCREW, M10 X1.5 25MM

FZPEC PECTORAL FLY

OPTIONAL LIGHT PEC-14 TOWER ASSEMBLY - 8866701

WEIGHT STACK LABELS	
8867001	LABEL, 310 LB STACK



SEE PAGE 18 FOR LEGEND

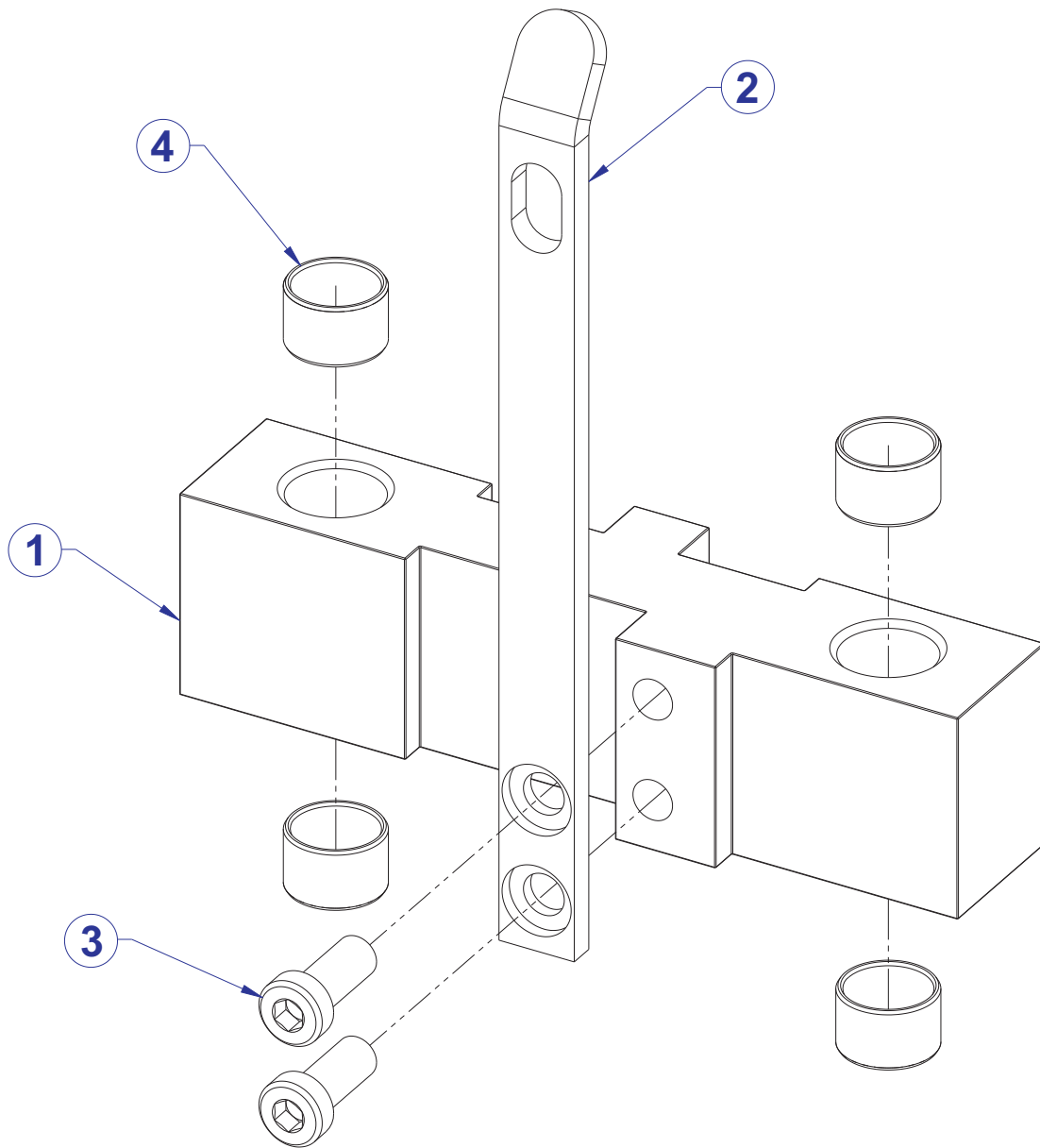
FZPEC PECTORAL FLY

OPTIONAL LIGHT PEC-14 TOWER ASSEMBLY LEGEND

ITEM NO.	QTY.	PART NO.	DESCRIPTION
1	1	7350701	ASSY, HEAD PLATE (14)
2	8	7353701	ASSY, 10 LB PLATE
3	1	8861301	ASSY, FZ INC WEIGHT - 2.5 LB
4	1	8861401	ASSY, FZ INC WEIGHT - 5 LB
5	1	8861501	ASSY, FZ INC WEIGHT - 7.5 LB
6	2	7328701	SPACER, INC WT STACK - 14 PLT
7	2	7351001	SPACER, INC WT STACK
8	1	7621101	RETAINER, GUIDE ROD - TOP
9	4	7328619	GUIDE ROD, .75 OD SOLID 47.00
10	4	7337901	BUSHING, GUIDE ROD
11	4	7352101	CUSHION, WEIGHT STACK
12	4	3103301	SHAFT COLLAR, 3/4 I.D. ZINC
13	1	8170301	COVER, FZPEC, TOWER- BOTTOM FRONT
14	1	7318901	COVER, TOWER- BOTTOM REAR
15	1	7318601	COVER, TOWER- TOP FRONT
16	1	7318701	COVER, TOWER- TOP REAR
17	1	7765701	SHROUD, TOWER- REAR SHORT
18	2	7765601	SHROUD, TOWER- FRT SHORT
19	2	7326301	CAP, D-TUBE - BOTTOM
20	6	7583501	RETAINER, FZ SHROUD
21	2	3236202	SCREW, M10 X1.5 25MM
22	13	3239101	SCREW, M5X10 PHL PAN TT ST
23	9	3236501	M4 X 0.7 PHL PAN MS ST ZN
24	2	3239102	SCREW, M5X12 PHL PAN TT ST BZ
25	6	7328401	WEIGHT PLATE, 20 LB

FZPEC PECTORAL FLY

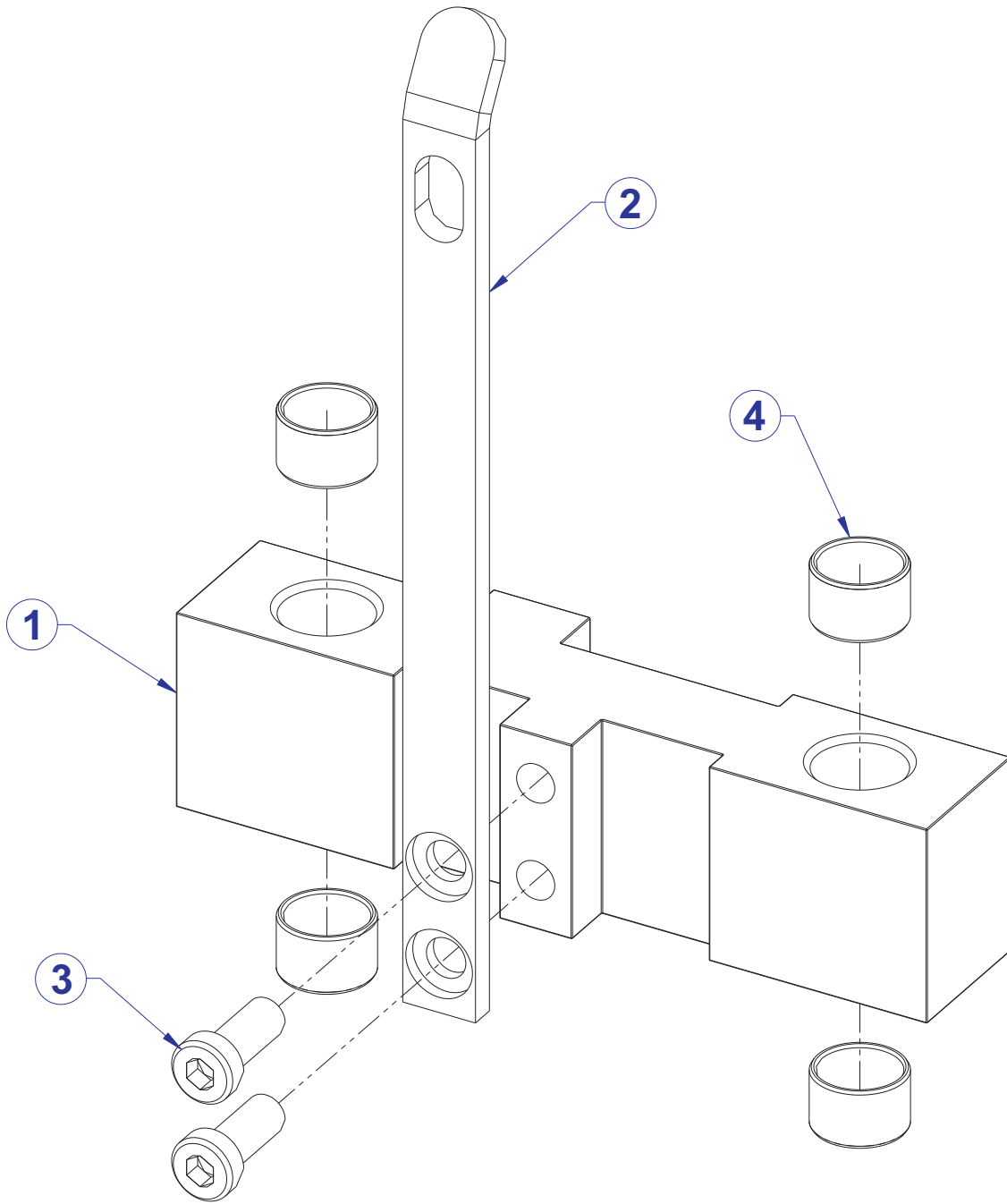
OPTIONAL 2.5 LB. INCREMENT WEIGHT ASSY. - 8861301



ITEM NO.	QTY.	PART NO.	DESCRIPTION
1	1	8861295	INCREMENT WEIGHT, FZ OPTIONAL - SG
2	1	7328001	BRKT, INCREMENT WT - 5 LB
3	2	3236202	SCREW, M10 X1.5 25MM
4	4	3202501	BEARING, SLEEVE 20 ID X 23.00 X 15 MM

FZPEC PECTORAL FLY

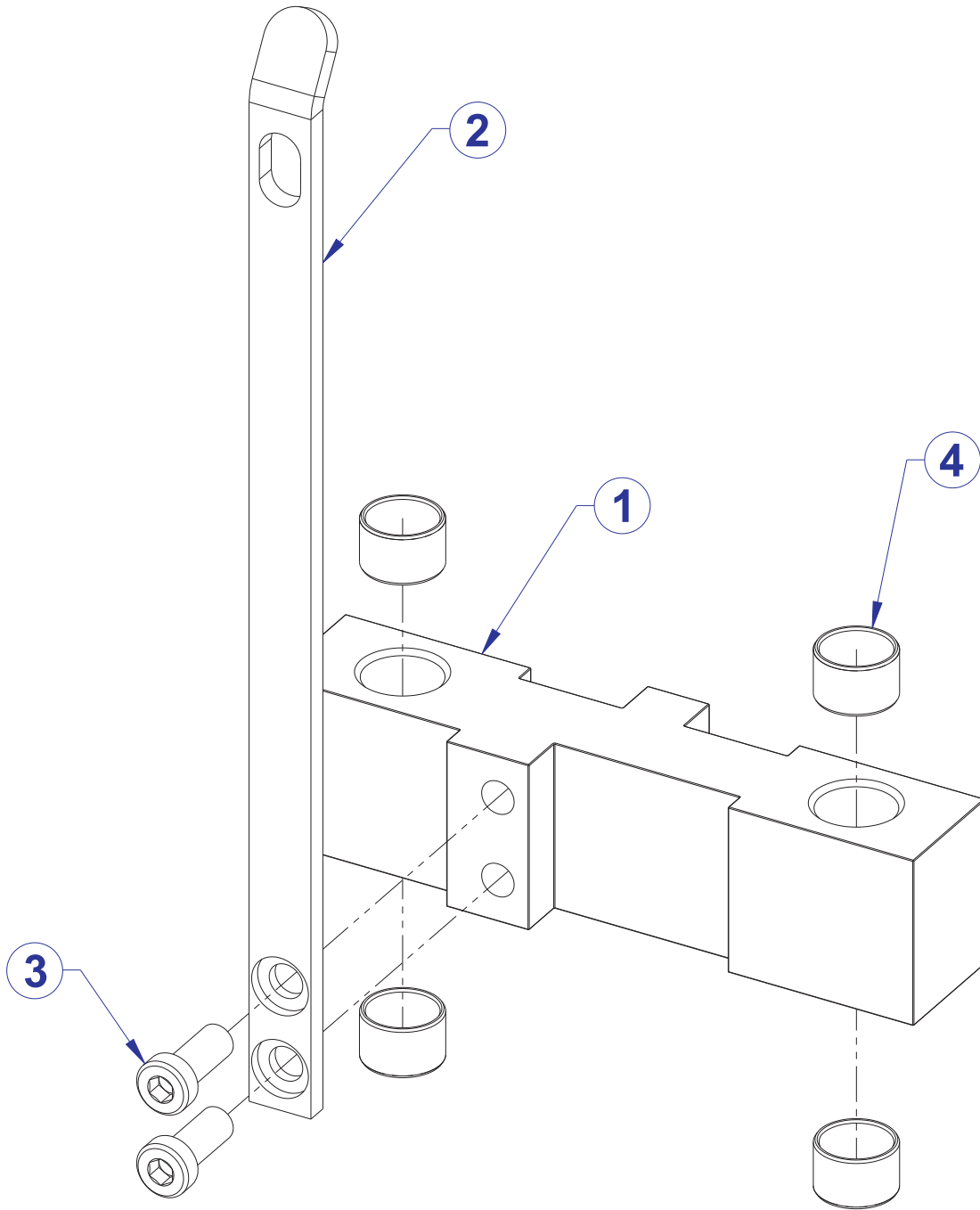
OPTIONAL 5 LB. INCREMENT WEIGHT ASSY. - 8861401



ITEM NO.	QTY.	PART NO.	DESCRIPTION
1	1	8861295	INCREMENT WEIGHT, FZ OPTIONAL - SG
2	1	7328101	BRKT, INCREMENT WT - 10 LB
3	2	3236202	SCREW, M10 X1.5 25MM
4	4	3202501	BEARING, SLEEVE 20 ID X 23.00 X 15 MM

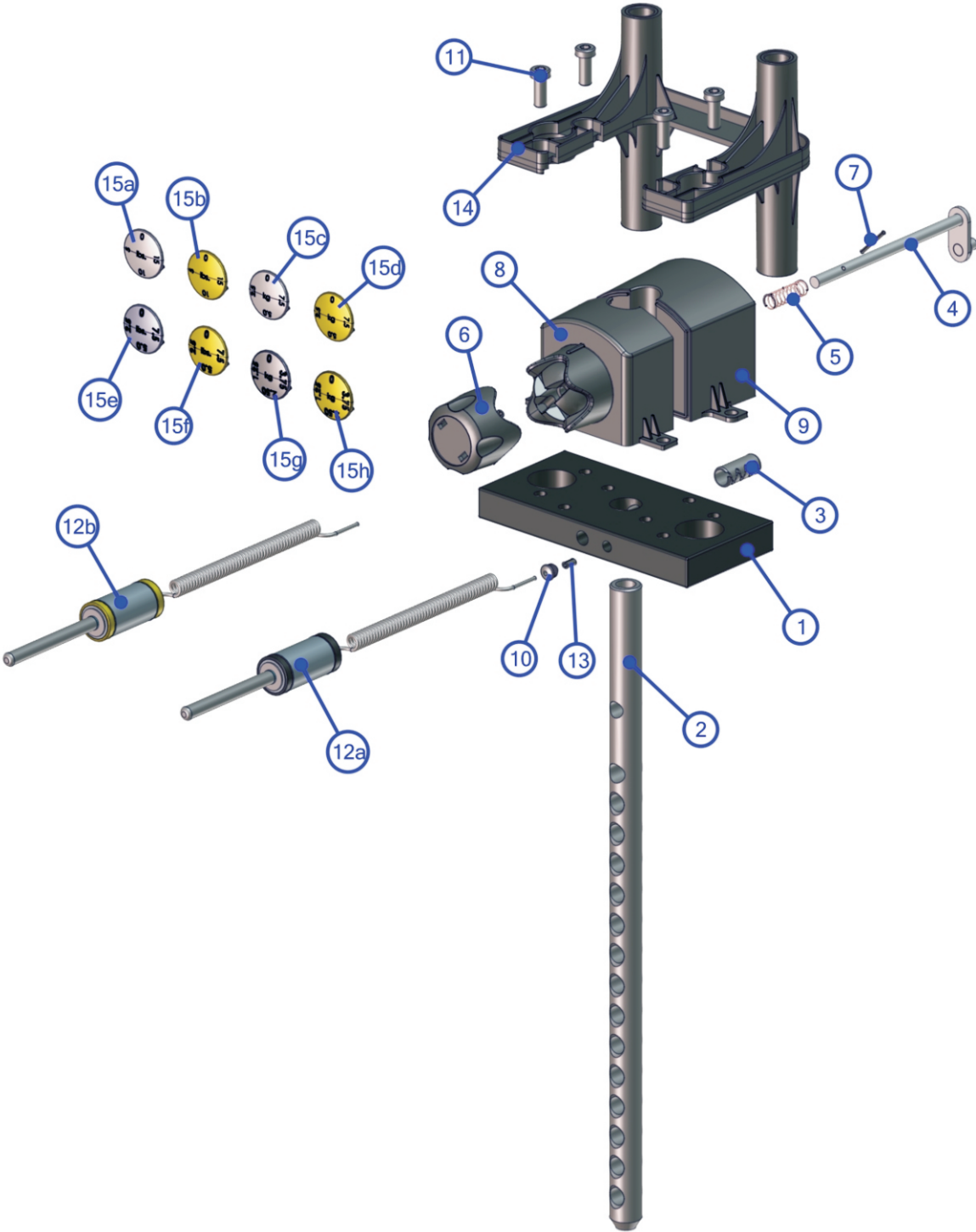
FZPEC PECTORAL FLY

OPTIONAL 7.5 LB. INCREMENT WEIGHT ASSY. - 8861501



ITEM NO.	QTY.	PART NO.	DESCRIPTION
1	1	8861295	INCREMENT WEIGHT, FZ OPTIONAL - SG
2	1	7328201	BRKT, INCREMENT WT - 15 LB
3	2	3236202	SCREW, M10 X1.5 25MM
4	4	3202501	BEARING, SLEEVE 20 ID X 23.00 X 15 MM

FZPEC PECTORAL FLY HEAD PLATE ASSEMBLY - 7350701



SEE PAGE 23 FOR LEGEND

FZPEC PECTORAL FLY HEAD PLATE ASSEMBLY LEGEND

ITEM NO.	QTY.	PART NO.	DESCRIPTION	WHERE USED	
1	1	7326701	HEAD PLATE	-	
2	1	7328901	STEM, 14 PLATE	-	
3	1	3236001	BUSHING, SPRING PIN	-	
4	1	7327201	WLDMT, INCREMENT WT PIN	-	
5	1	8024501	SPRING, 1/2 OD X 1-1/2	-	
6	1	7326101	KNOB, INC WT SELECTOR	-	
7*	1	3110008	ROLL PIN, 1/8 X 1-1/4	-	
8*	1	7326401	HOUSING, SELECTOR - FRONT	-	
9*	1	7326501	HOUSING, SELECTOR - REAR	-	
10	1	7356501	PLUG, LANYARD ATTACHMENT	-	
11	4	3236202	SCREW, M10 X1.5 25MM	-	
12**	a	1	7338101	ASSY, WT STACK SELECTOR PIN-SILVER	-
	b		7338103	ASSY, WT STACK SELECTOR PIN-YELLOW	-
13	1	7523601	CRIMP, CABLE	-	
14	1	8867301	ASSY, FZ, STABILIZER WITH BUSHINGS	-	
15**	a	1	7398601	CAP, SELECTOR KNOB - 5 LBS, SILVER	REG. STACK / LBS.
	b		7398603	CAP, FZ SELECTOR KNOB - 5 LBS, YELLOW	REG. STACK / LBS.
	c		7398701	CAP, FZ SELECTOR KNOB - 2.5 KG, SILVER	REG. STACK / KG.
	d		7398703	CAP, FZ SELECTOR KNOB - 2.5 KG, YELLOW	REG. STACK / KG.
	e		8865801	CAP, FZ SELECTOR KNOB - 2.5 LBS, SILVER	LIGHT STACK / LBS.
	f		8865803	CAP, FZ SELECTOR KNOB - 2.5 LBS, YELLOW	LIGHT STACK / LBS.
	g		8946501	CAP, FZ SELECTOR KNOB - 1.25 KG, SILVER	LIGHT STACK / KG.
	h		8946503	CAP, FZ SELECTOR KNOB - 1.25 KG, YELLOW	LIGHT STACK / KG.

* Kit exists for component set. See bulletin FZ02012701N

** Language specific/Weight stack item. Order separately-not part of assembly.

FZPEC PECTORAL FLY
IMAGE

