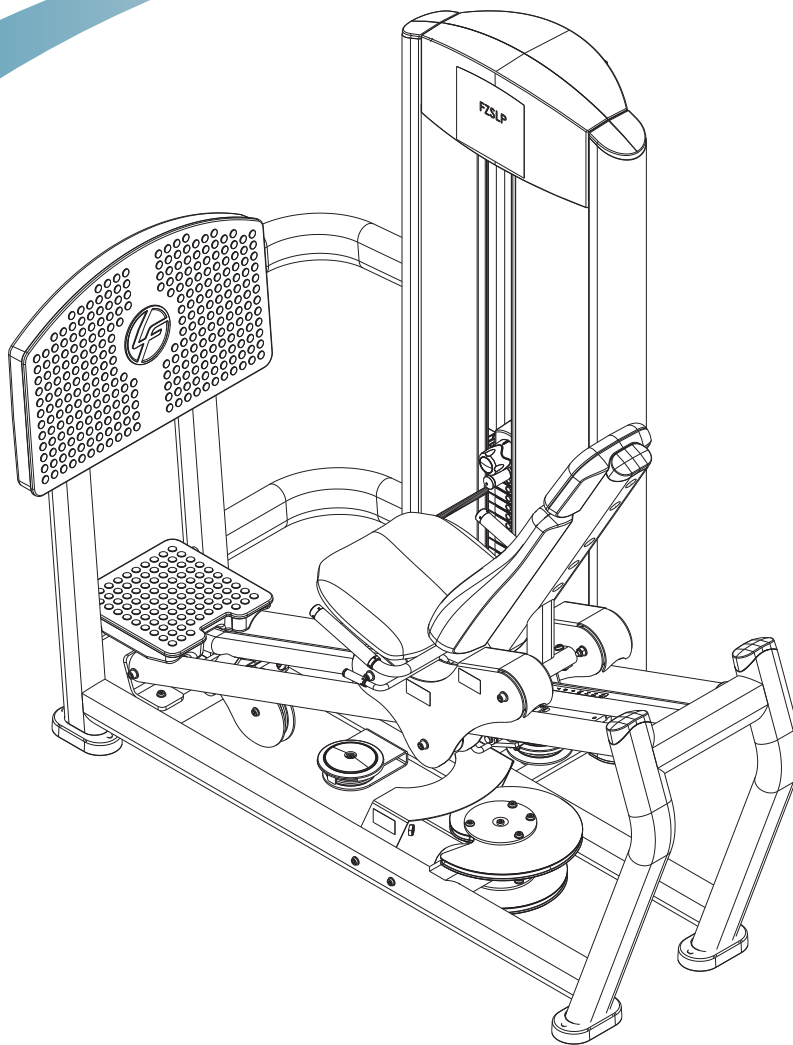


# Signature Series Single Station Seated Leg Press

FZSLP

## Parts List



# FZSLP SEATED LEG PRESS

## CONTENTS

---

FRAME AND UPHOLSTERY COLORS..... 3

SHROUD OPTIONS..... 4

COMPONENT ASSEMBLY..... 5

COMPONENT ASSEMBLY II..... 6

COMPONENT ASSEMBLY LEGEND..... 7

SEAT ADJUSTMENT ASSEMBLY..... 8

SEAT ADJUSTMENT ASSEMBLY LEGEND..... 9

ADJUSTER HANDLE ASSEMBLY..... 10

LOWER CABLE ASSEMBLY..... 11

HIGH-19 TOWER ASSEMBLY..... 12

STANDARD PLASTIC TOWER ASSEMBLY..... 13

OPTIONAL WRAPPED SHROUDS..... 14

HIGH-19 WEIGHT STACK ASSEMBLY..... 15

5 LB. INCREMENT WEIGHT ASSEMBLY..... 16

10 LB. INCREMENT WEIGHT ASSEMBLY..... 17

15 LB. INCREMENT WEIGHT ASSEMBLY..... 18

OPTIONAL HIGH-19 LIGHT WEIGHT STACK ASSEMBLY..... 19

OPTIONAL 2.5 LB. INCREMENT WEIGHT ASSEMBLY..... 20

OPTIONAL 5 LB. INCREMENT WEIGHT ASSEMBLY..... 21

OPTIONAL 7.5 LB. INCREMENT WEIGHT ASSEMBLY..... 22

HEAD PLATE ASSEMBLY..... 23

HEAD PLATE ASSEMBLY LEGEND..... 24

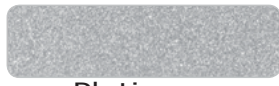
CABLE ROUTING..... 25

IMAGE..... 26

# FZSLP SEATED LEG PRESS FRAME AND UPHOLSTERY COLORS

---

## Strength Frame Colors



Platinum



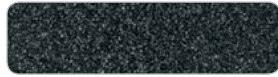
White



Black



Ice Blue Metallic



Midnight Metallic



Nickel



Blue



Red



Yellow



Candy Apple Red

Note: Include frame color in pick-slip notes when ordering frame assemblies or weldments.

## Strength Upholstery Colors



American Beauty Red 07



Azure 20



Black 01



Cranberry 04



Graphite 22



Hunter Green 13



Regimental Blue 14



Royal Blue 02



Slate 03



Wheat 21



Burgundy 29



Candy Apple Red 28



Chestnut 34



Concord 16



Crocus 19



Dove Gray 37



Emerald 27



Grotto 25



Gun Metal 39



Imperial Blue 33



Jade 26



Navy 32



Northwoods Green 05



Paprika 35



Plum 30



Putty 38



Space Blue 06



Suede 08



Terra Cotta 36



Turquoise 17

Note: Replace XX with above color suffix when ordering pads (ie. 74123XX = 7412301 Black)  
Use 99 suffix for custom upholstery.

# FZSLP SEATED LEG PRESS SHROUD OPTIONS

## STANDARD SHROUD NO WRAP

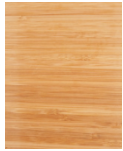


TRANSLUCENT



## OPTIONAL StackWraps™ SHROUD + WRAP

BAMBOO



BRONZE



ROSEWOOD



SKY



STAINLESS STEEL



STEM



## CO-BRANDED StackWraps™

SHROUD + WRAP

(refer to co-branded parts list)



PLANET FITNESS



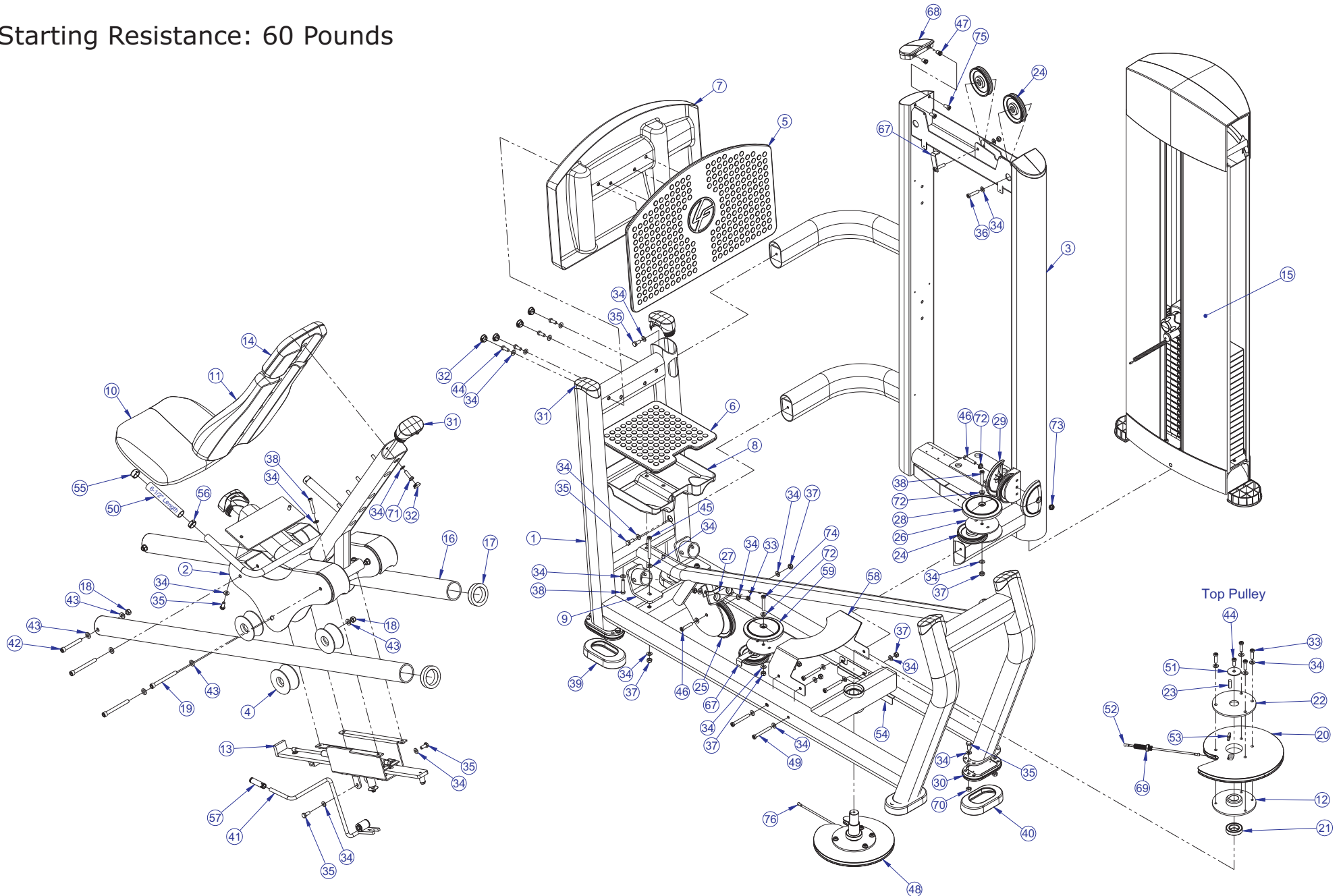
BLINK FITNESS



RETRO FITNESS

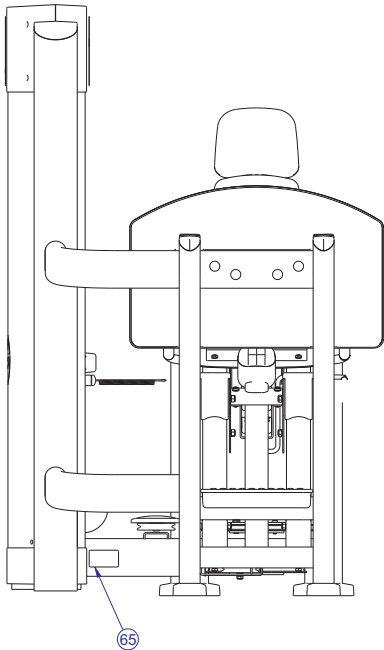
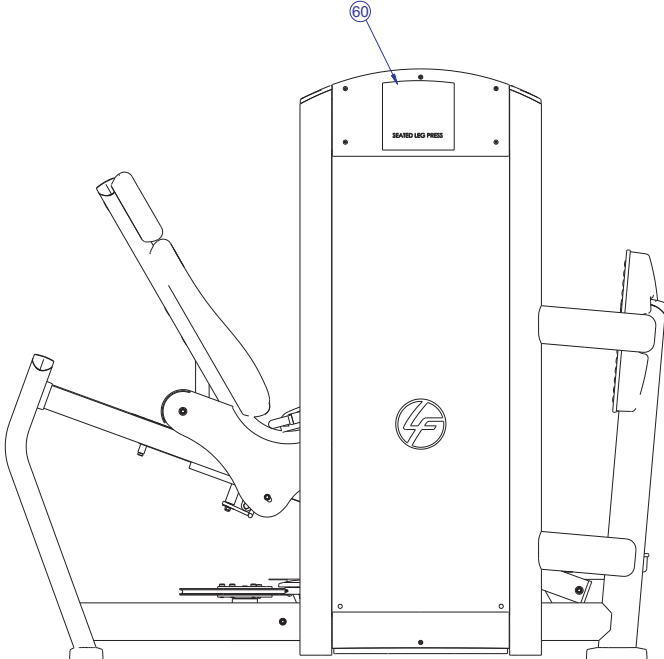
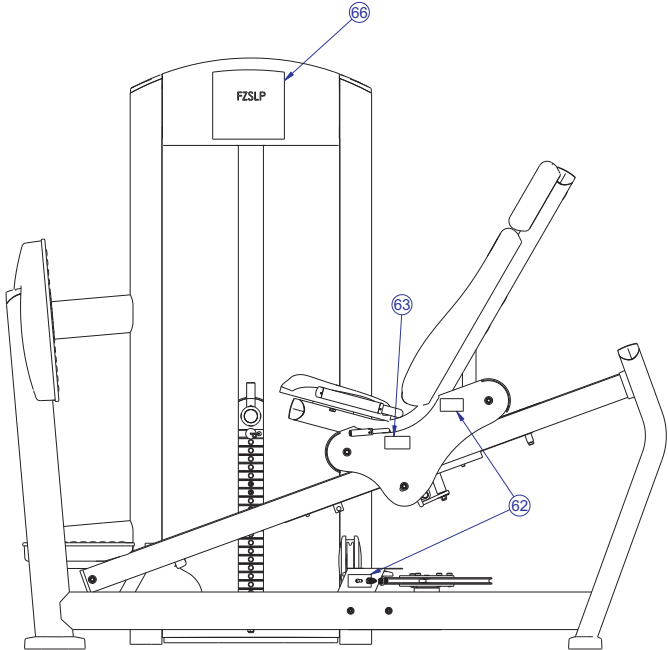
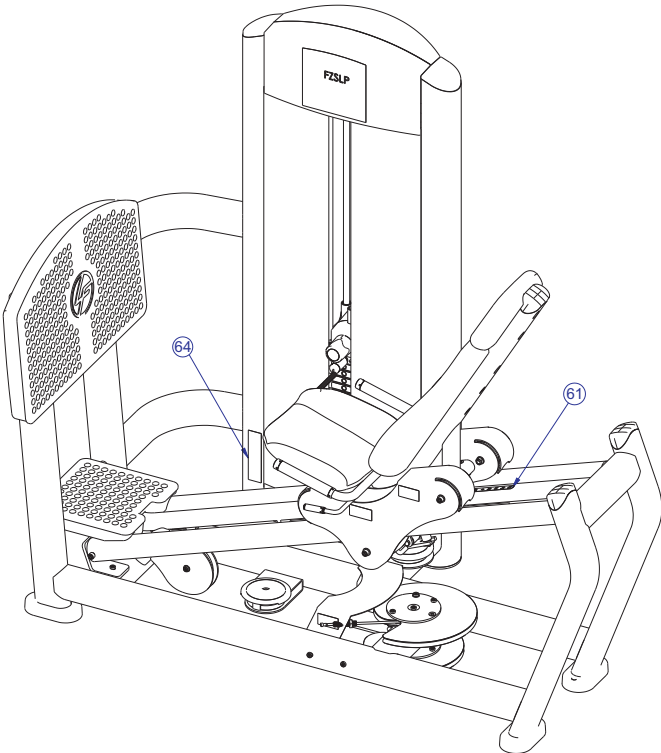
# FZSLP SEATED LEG PRESS COMPONENT ASSEMBLY

Starting Resistance: 60 Pounds



SEE PAGE 7 FOR LEGEND

# FZSLP SEATED LEG PRESS COMPONENT ASSEMBLY II



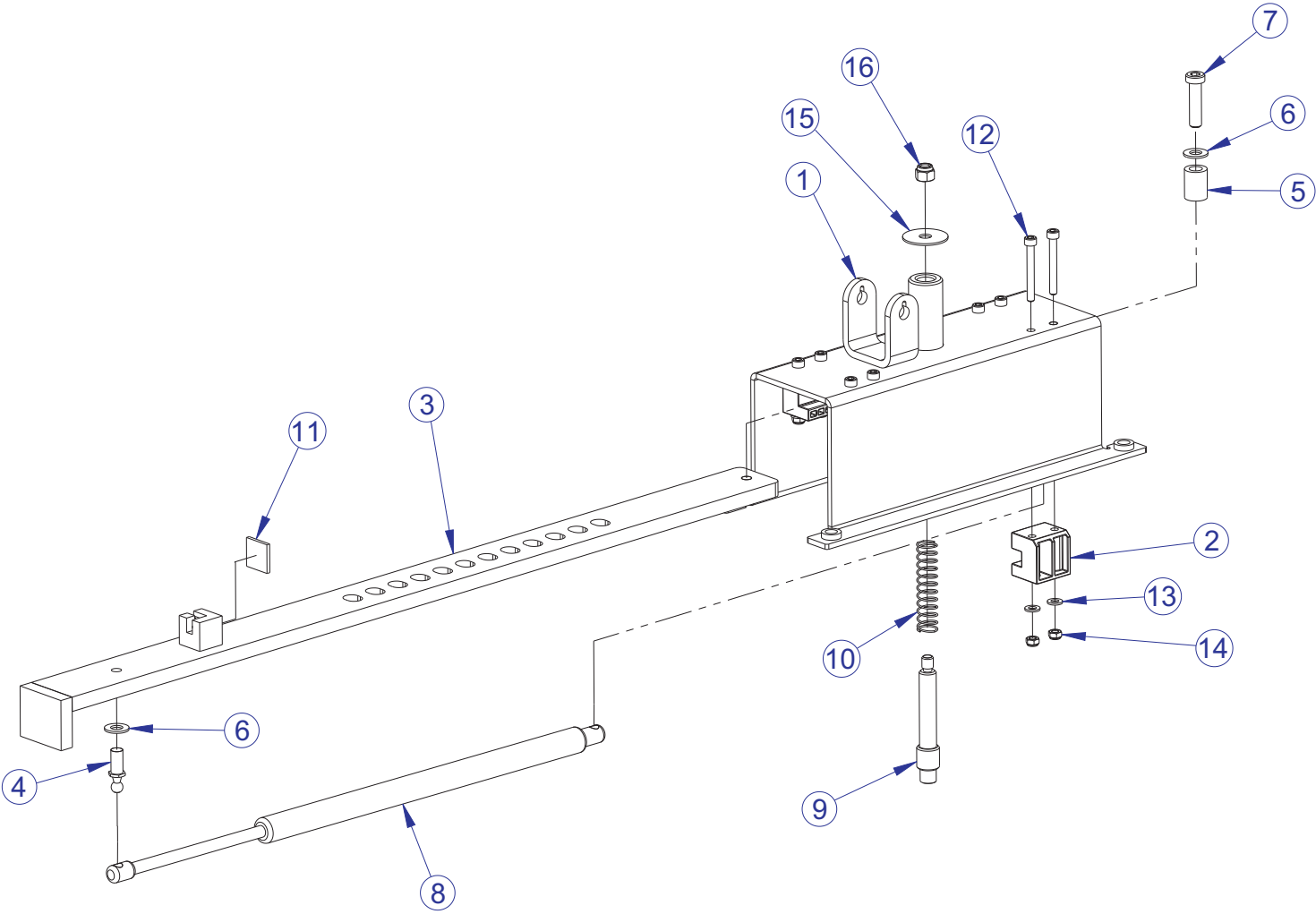
SEE PAGE 7 FOR LEGEND

# FZSLP SEATED LEG PRESS COMPONENT ASSEMBLY LEGEND

ITEM NO.	QTY.	PART NO.	DESCRIPTION
1	1		WLDMT, FZSLP-FRAME
2	1	7408101	WLDMT, FZSLP-SEAT
3	1		WLDMT, FZSLP HIGH TOWER
4	6	3251501	ROLLER ASSY
5	1	7429601	FT.PLATE,FZSLP-OVERMOLDED
6	1	7438301	STEP PLATE,FZSLP- OVERMOLDED
7	1	7429501	COVER,FZSLP-FT. PLATE
8	1	7438201	COVER,FZSLP-STEP
9	2	7408895	WLDMT, FZ/PS-SLP RAIL BRKT SG
10	1	72972XX	PAD, LARGE CHAIR
11	1	74741XX	PAD, LARGE BACK
12	1	7511395	WLDMT, FZ/PS-SLP HUB SG
13	1	7422901	ASSY, FZ/PS-SLP SEAT ADJ
14	1	74743XX	PAD, HEAD REST
15	1	7420501	ASSY, HIGH TOWER-19
16	2	7961101	TUBE, RAIL
17	2	7444601	BUMBER, DONUT
18	8	3236803	NUT, M12 HEX NYLOCK SS
19	6	3241320	SCREW, M12 X1.75 120MM
20	1	7414501	CAM, FZ/PS-SLP OBLONG
21	1	3243201	BEARING, 6007 BALL
22	1	7511295	PLATE, FZ/PS-SLP TORQUE SG
23	1	7511601	KEY, .375 SQUARE X 1.25
24	5	3237801	PULLEY, 4.5" OD
25	1	3239601	PULLEY, 6" OD x 10MM ID
26	1	7318201	PLATE, PULLEY
27	1	7352001	BUMPER, 2-1/8 X 4-5/8
28	1	8102901	COVER, PULLEY-BOLTED FULL
29	2	8094101	COVER, PULLEY-BOLTED PARTIAL
30	4	7334001	FOOT, 2.50 X 4.49 FLOV
31	6	7333901	CAP, LARGE FLOV- END
32	9	3237403	PLUG, 1" HOLE
33	6	3236204	SCREW, M10 X1.5 35MM
34	55	3236601	WASHER, 3/8 SAE SS
35	14	3251202	SCREW, M10 X1.5 X 25MM HEX ZN
36	2	3236206	SCREW, M10 X1.5 45MM
37	12	3236801	NUT, M10 HEX NYLOCK SS
38	7	3236208	SCREW, M10 X1.5 55MM
39	2	7340201	COVER, FOOT - STRAIGHT
40	2	7419701	COVER, FOOT 10 DEG
41	1	7450701	ASSY, FZ/PS-SLP SEAT HANDLE
42	2	3241315	SCREW, M12 X1.75 90MM
43	16	3241401	WASHER, FLAT 12MM SS
44	5	3236202	SCREW, M10 X1.5 25MM
45	2	3236215	SCREW, M10 X1.5 90MM
46	2	3236207	SCREW, M10 X1.5 50MM
47	4	3238601	M10X1.5 THREADED INSERT (HEX)
48	1	7592601	ASSY, FZSLP RND CAM (LOWER)
49	4	3236214	SCREW, M10 X1.5 85MM
50	2	3235801	GRIP, 1.00 ID X .125 X 7
51	1	7322301	PLATE, 1.97 OD X .44 ID 10GA
52	1	7423709	CABLE, FZSLP 137-1/4 UPPER
53	1	7342201	PLATE, CABLE END
54	1	8161195	BRKT, FZ/PSSLP CABLE RETAINER
55	2	7662901	CAP, GRIP 1.25 OD
56	2	7662801	RING, GRIP 1.25 OD
57	1	7681901	HANDLE, REMOTE, SHADOW GRAY
		7681903	HANDLE, REMOTE, YELLOW
58	1	7409895	SHIELD, FZ/PS-SLP CAM SG
59	1	8104501	COVER, PULLEY-BOLTED NOTCHED
60	1	7508001	LABEL, FZSLP LOGO
61	1	7524401	LABEL, 1-13 STRAIGHT
62	2	7422003	LABEL, MOVING PARTS
63	1	7422001	LABEL, SEAT INST
64	1	7422004	LABEL, 2" ASTM WARN
65	1	7571301	LABEL, SERIAL NUMBER
66	1	7507901	LABEL, FZSLP PLACARD
67	2	6757701	CLIP, CABLE 2-7/8 X 1 X 1
68	2	7326201	CAP, D-TUBE - TOP
69	1	3236902	NUT, M16 X 2 HEX JAM SS
70	8	3254703	NUT, M10 X 1.5 HEX ZINC
71	5	3251204	SCREW, M10 X1.5 X 35MM HEX ZN
72	3	7630101	RETAINER, CM/MJ, PULLEY
73	1	7335401	NUT, M10 X 1.5 SOCKET HEAD
74	1	3236209	SCREW, M10 X1.5 60MM
75	4	3236201	SCREW, M10 X1.5 20MM
76	1	7423805	CABLE, FZSLP-2 80-1/8 LOWER

# FZSLP SEATED LEG PRESS SEAT ADJUSTMENT ASSEMBLY - 7422901

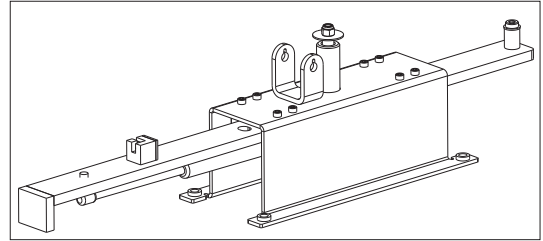
---



SEE PAGE 9 FOR LEGEND

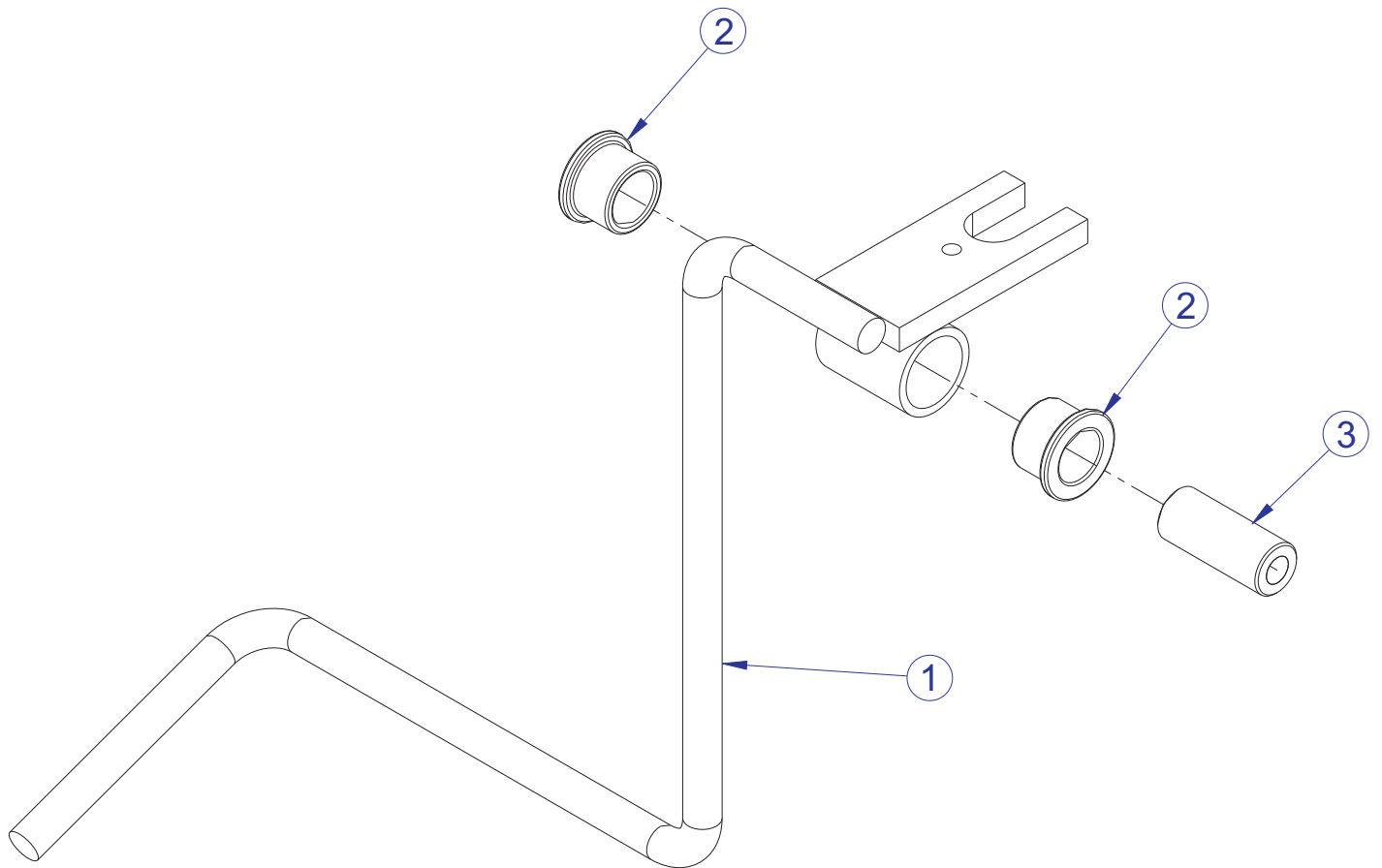
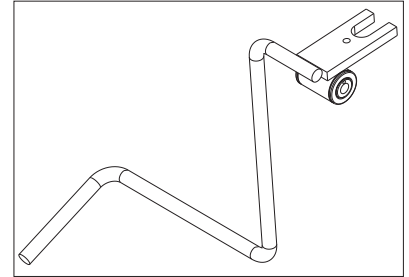


# FZSLP SEATED LEG PRESS SEAT ADJUSTMENT ASSEMBLY LEGEND



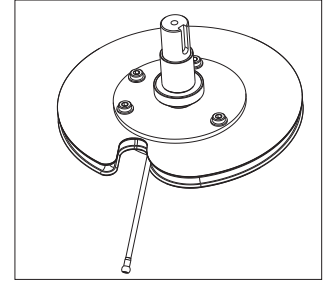
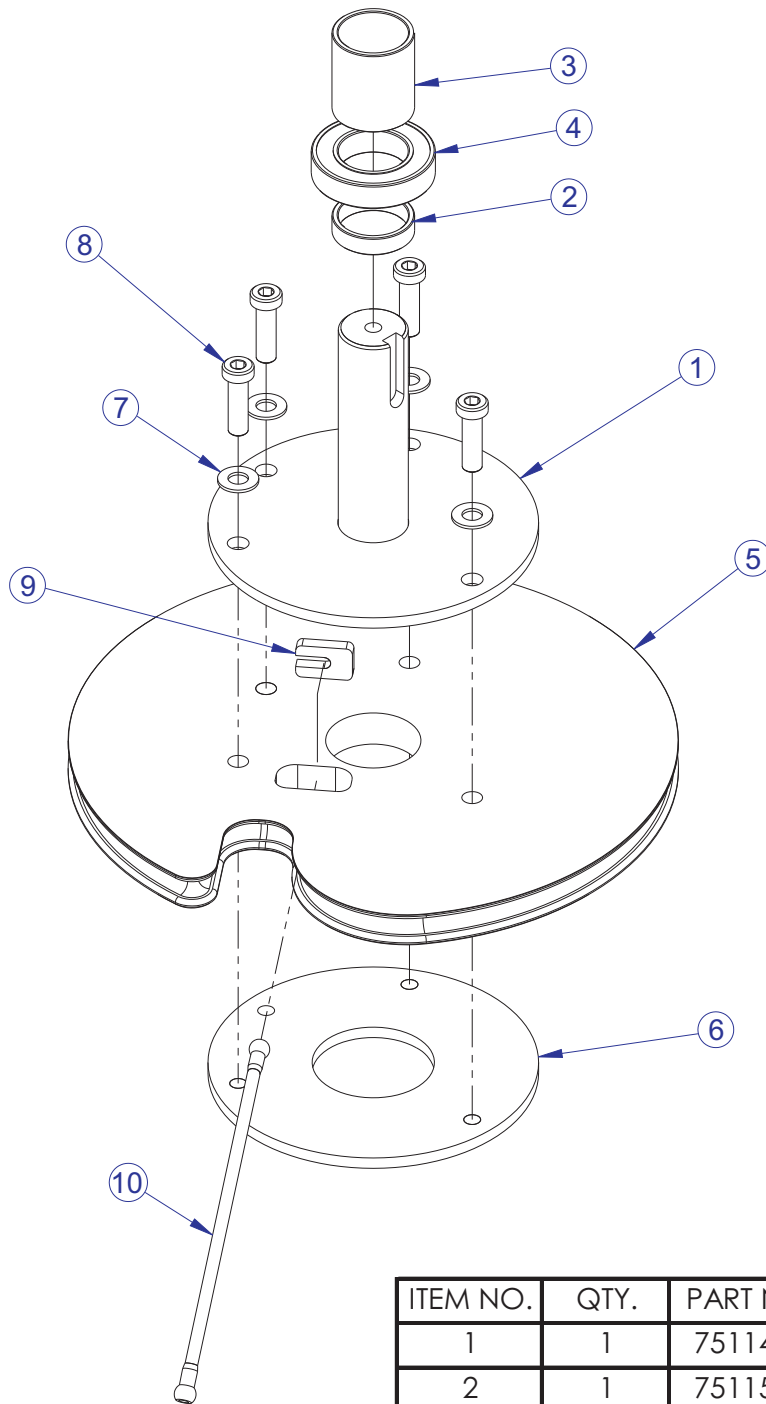
ITEM NO.	QTY.	PART NO.	DESCRIPTION
1	1	7409095	WLDMT, FZ/PS-SLP SEAT ADJ SG
2	4	7778501	BLOCK, FZ/PS-SLP DELRIN
3	1	7409502	WLDMT, FZ/PS-SLP ADJ PLATED
4	1	7414301	STUD, M10 BALL END M10 X 1.5
5	1	7354301	SPACER, 7/16 ID X .75 OD X 1
6	2	3236601	WASHER, 3/8 SAE SS
7	1	3236205	SCREW, M10 X1.5 40MM
8	1	3239401	SPRING,GAS-135N- 300
9	1	7351301	PIN, PULL X 4.375
10	1	7351501	SPRING; PULL PIN LARGE
11	1	6140701	GLIDE 1 X 1
12	8	3241707	SCREW, M6 X1 50MM
13	8	3241801	WASHER, FLAT 6MM SS
14	8	3236802	NUT, M6 HEX NYLOCK SS
15	1	3236701	WASHER, FENDER 3/8" ID X 1.5" OD SS
16	1	3102802	NUT, NYLOCK 3/8-16

# FZSLP SEATED LEG PRESS ADJUSTER HANDLE ASSEMBLY - 7450701



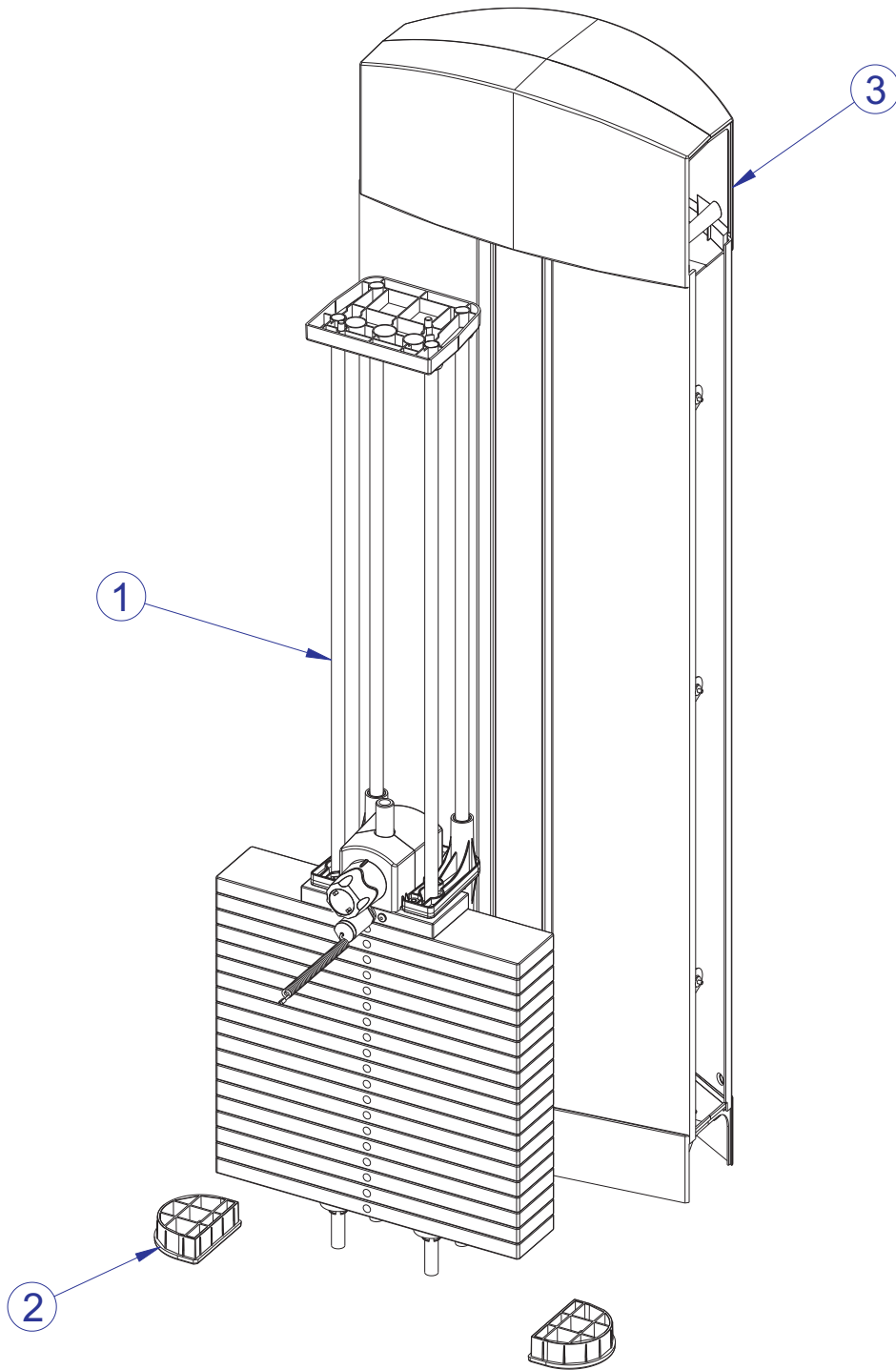
ITEM NO.	QTY.	PART NO.	DESCRIPTION
1	1	7412295	WLDMT, FZ/PS-SLP LEVER SG
2	2	3104901	.75" ID 1.00" OD BRONZE BUSHING
3	1	7324802	SHAFT, TAPPED 0.75 DIA X 1.800

# FZSLP SEATED LEG PRESS LOWER CAM ASSEMBLY - 7592601



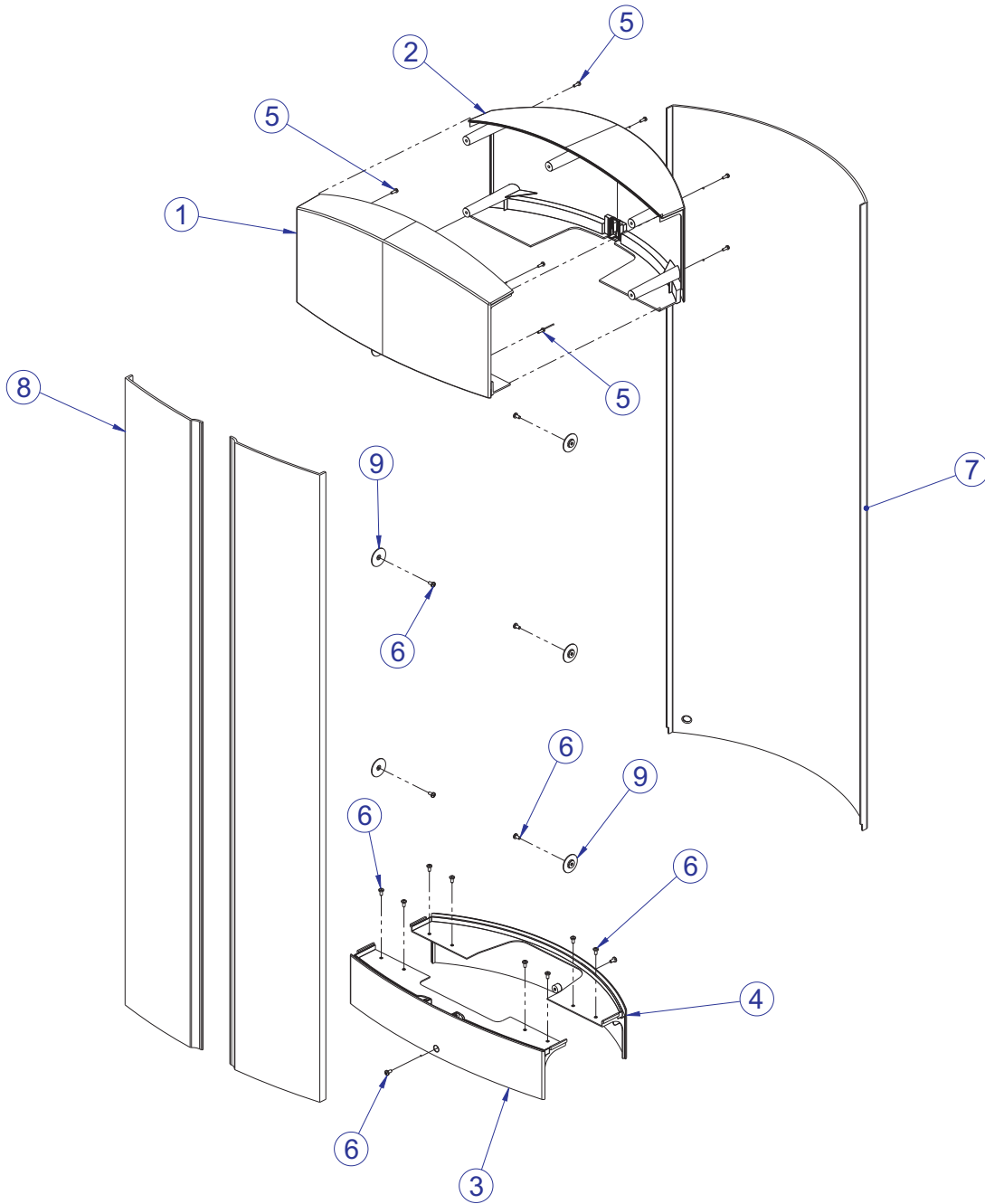
ITEM NO.	QTY.	PART NO.	DESCRIPTION
1	1	7511495	WLDMT, FZ/PS-SLP CAM SHAFT SG
2	1	7511501	SPACER, FZ/PS INTERNAL .403
3	1	7511502	SPACER, FZ/PS INTERNAL 1.845
4	1	3243201	BEARING, 6007 BALL
5	1	7414401	CAM, FZ/PS-SLP RND
6	1	7511195	PLATE, FZ/PS-SLP CAM THRD SG
7	4	3236601	WASHER, 3/8 SAE SS
8	4	3236204	SCREW, M10 X1.5 35MM
9	1	7342201	PLATE, CABLE END
10	1	7423805	CABLE, FZSLP-2 80-1/8

# FZSLP SEATED LEG PRESS HIGH-19 TOWER ASSEMBLY - 7420501



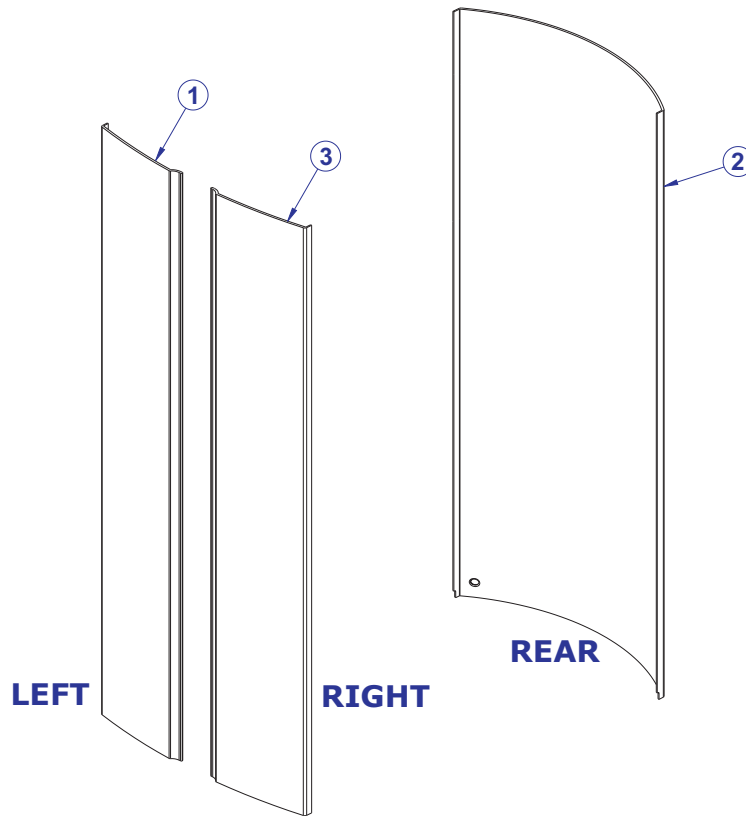
ITEM NO.	QTY.	PART NO.	DESCRIPTION
1	1	7420201	ASSY, WEIGHT STACK HIGH-19
2	2	7326301	CAP, D-TUBE-BTM
3	1	7419901	ASSY, TOWER PLASTICS-HIGH


# FZSLP SEATED LEG PRESS STANDARD PLASTIC TOWER ASSEMBLY - 7419901





ITEM NO.	QTY.	PART NO.	DESCRIPTION
1	1	7318601	COVER, TOWER- TOP FRONT
2	1	7318701	COVER, TOWER- TOP REAR
3	1	7318801	COVER, TOWER- BOTTOM FRONT
4	1	7318901	COVER, TOWER- BOTTOM REAR
5	9	3236501	M4 X 0.7 PHL PAN MS ST ZN
6	16	3239101	SCREW, M5X10 PHL PAN TT ST
7	1	7765702	SHROUD, TOWER- REAR LONG
8	2	7765602	SHROUD, TOWER- FRT SHORT LH
9	6	7583501	RETAINER, FZ SHROUD


# FZSLP SEATED LEG PRESS OPTIONAL WRAPPED SHROUDS





BAMBOO		ITEM NO.	QTY.	PART NO.	DESCRIPTION
		1	1	8954202	SHROUD, FZ, FNT, TLL, LT -BAMBOO
		2	1	8949102	SHROUD, FZ, REAR, TLL -BAMBOO
		3	1	8949002	SHROUD, FZ, FNT, TLL, RT -BAMBOO

SKY		ITEM NO.	QTY.	PART NO.	DESCRIPTION
		1	1	8954302	SHROUD, FZ, FNT, TLL, LT -SKY
		2	1	8949302	SHROUD, FZ, REAR, TLL -SKY
		3	1	8949202	SHROUD, FZ, FNT, TLL, RT -SKY

BRONZE		ITEM NO.	QTY.	PART NO.	DESCRIPTION
		1	1	8954402	SHROUD, FZ, FNT, TLL, LT -BRONZE
		2	1	8949502	SHROUD, FZ, REAR, TLL -BRONZE
		3	1	8949402	SHROUD, FZ, FNT, TLL, RT -BRONZE

STEM		ITEM NO.	QTY.	PART NO.	DESCRIPTION
		1	1	8954502	SHROUD, FZ, FNT, TLL, LT -STEM
		2	1	8949702	SHROUD, FZ, REAR, TLL -STEM
		3	1	8949602	SHROUD, FZ, FNT, TLL, RT -STEM

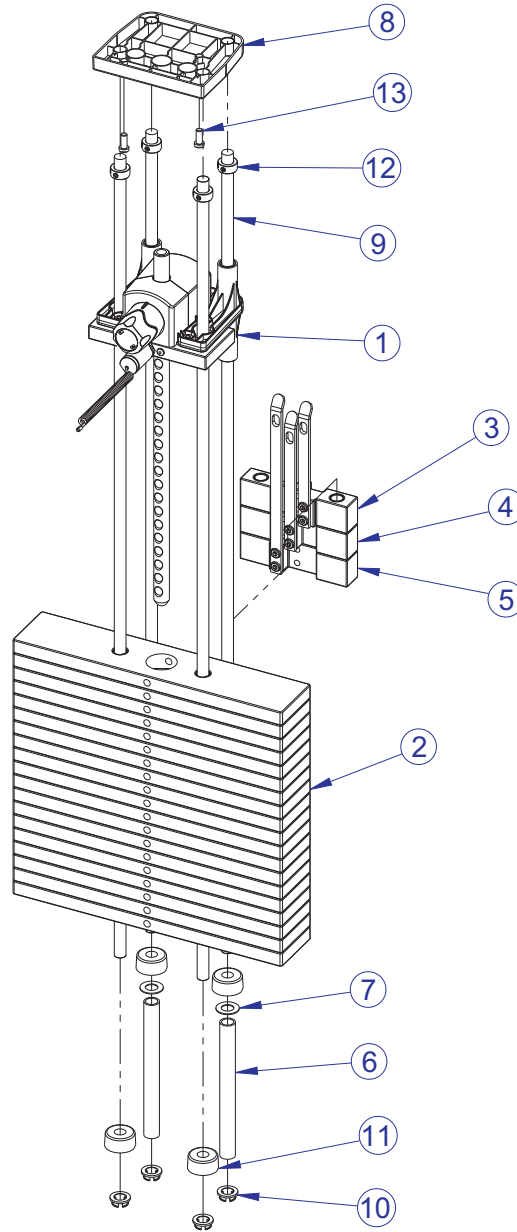
ROSEWOOD		ITEM NO.	QTY.	PART NO.	DESCRIPTION
		1	1	8954602	SHROUD, FZ, FNT, TLL, LT -ROSEWOOD
		2	1	8949902	SHROUD, FZ, REAR, TLL -ROSEWOOD
		3	1	8949802	SHROUD, FZ, FNT, TLL, RT -ROSEWOOD

STAINLESS STEEL		ITEM NO.	QTY.	PART NO.	DESCRIPTION
		1	1	8954702	SHROUD, FZ, FNT, TLL, LT -STAINLESS STEEL
		2	1	8950102	SHROUD, FZ, REAR, TLL -STAINLESS STEEL
		3	1	8950002	SHROUD, FZ, FNT, TLL, RT -STAINLESS STEEL

# FZSLP SEATED LEG PRESS HIGH-19 WEIGHT STACK ASSEMBLY - 7420201

## WEIGHT STACK LABELS

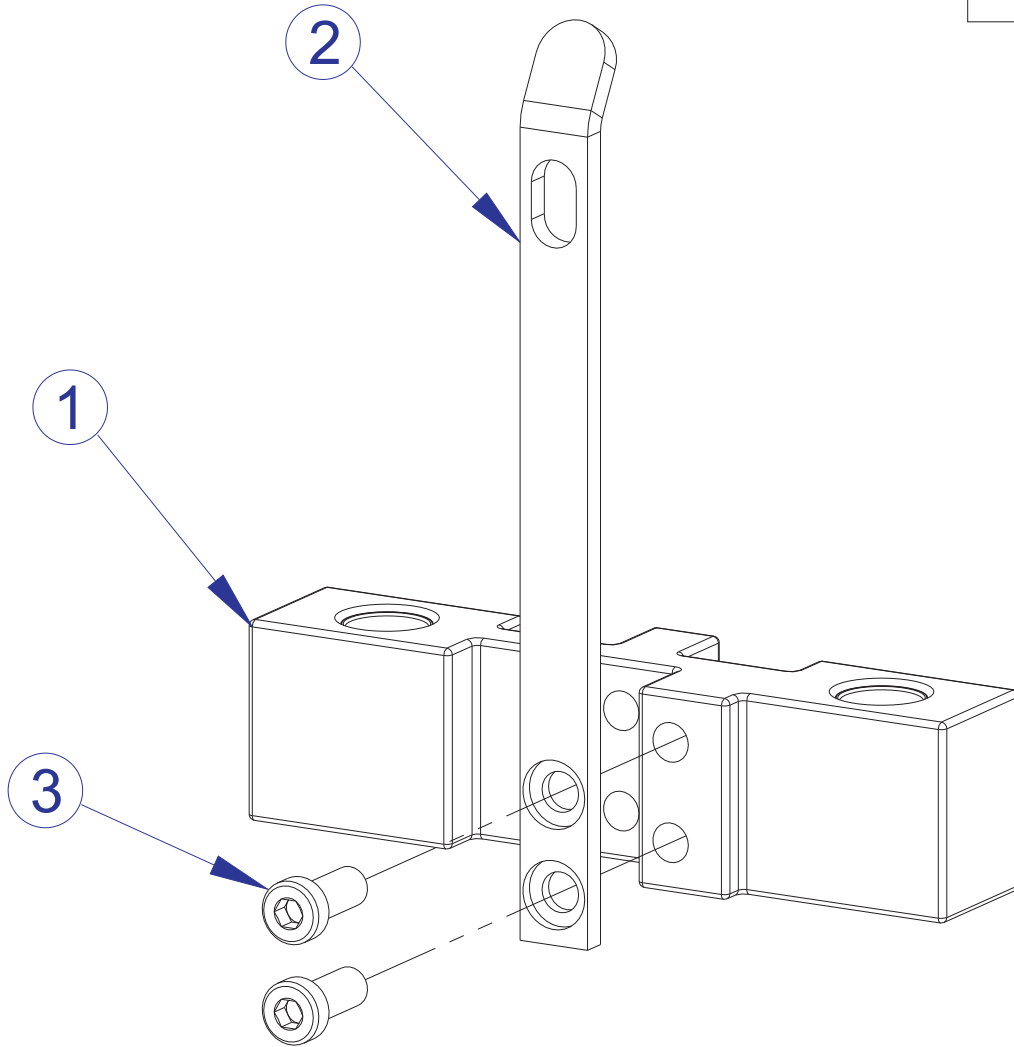
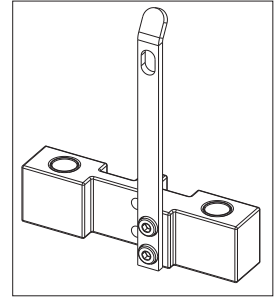
7927201	LABEL, 390 LB STACK
7927301	LABEL, 195 KG STACK



ITEM NO.	QTY.	PART NO.	DESCRIPTION
1	1	7350801	ASSY, HEAD PLATE (19)
2	19	7328401	WEIGHT PLATE, 20 LB
3	1	7327601	ASSY, INCREMENT WT - 5 LB
4	1	7327701	ASSY, INCREMENT WT - 10 LB
5	1	7327801	ASSY, INCREMENT WT - 15 LB
6	2	7328702	SPACER, INC WT STACK - 19 PLT
7	2	7351001	SPACER, INC WT STACK
8	1	7621101	RETAINER, GUIDE ROD - TOP
9	4	7328606	GUIDE ROD, .75 OD SOLID 59.63
10	4	7337901	BUSHING, GUIDE ROD
11	4	7352101	CUSHION, WEIGHT STACK
12	4	3103301	SHAFT COLLAR, 3/4 I.D. ZINC
13	2	3236202	SCREW, M10 X1.5 25MM

# FZSLP SEATED LEG PRESS

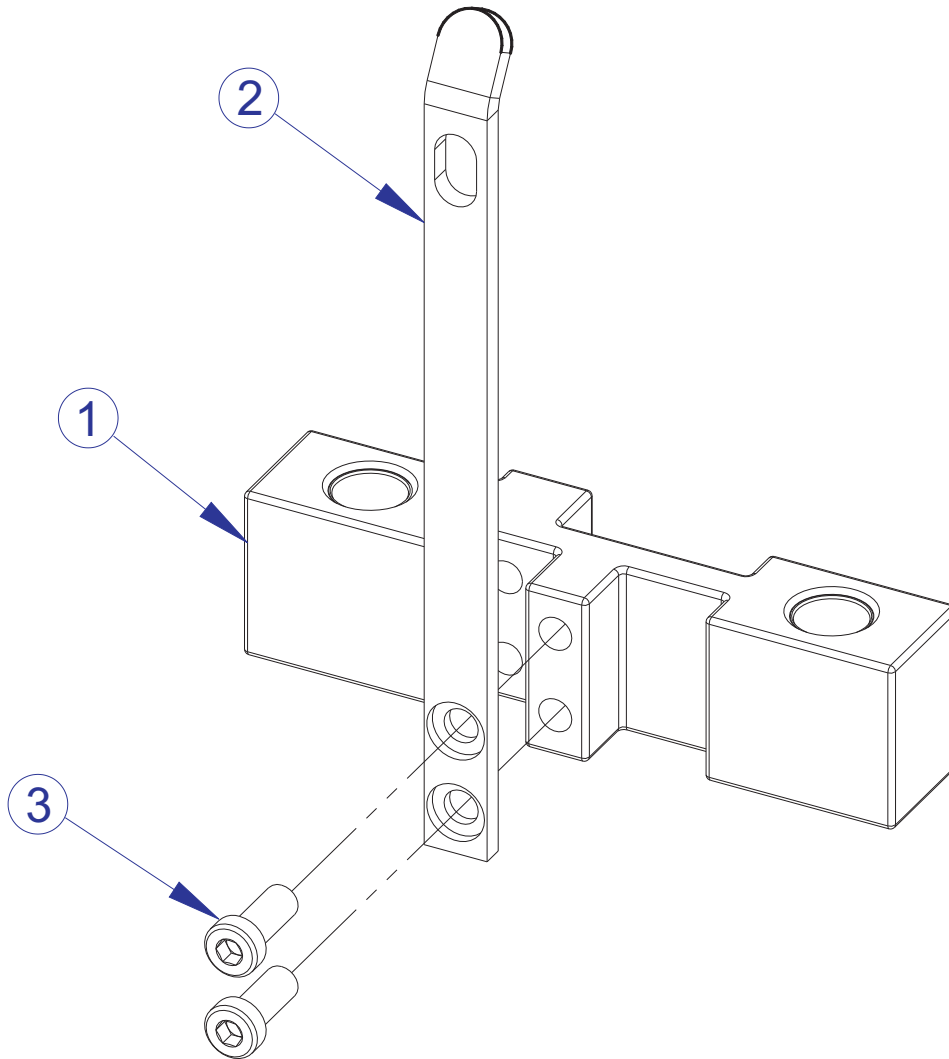
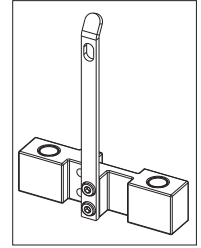
## 5 LB. INCREMENT WEIGHT ASSEMBLY - 7327601



ITEM NO.	QTY.	PART NO.	DESCRIPTION
1	1	7968501	ASSY, FZ INC WEIGHT 5LB
2	1	7328001	BRKT, INCREMENT WT - 5 LB
3	2	3236202	SCREW, M10 X1.5 25MM

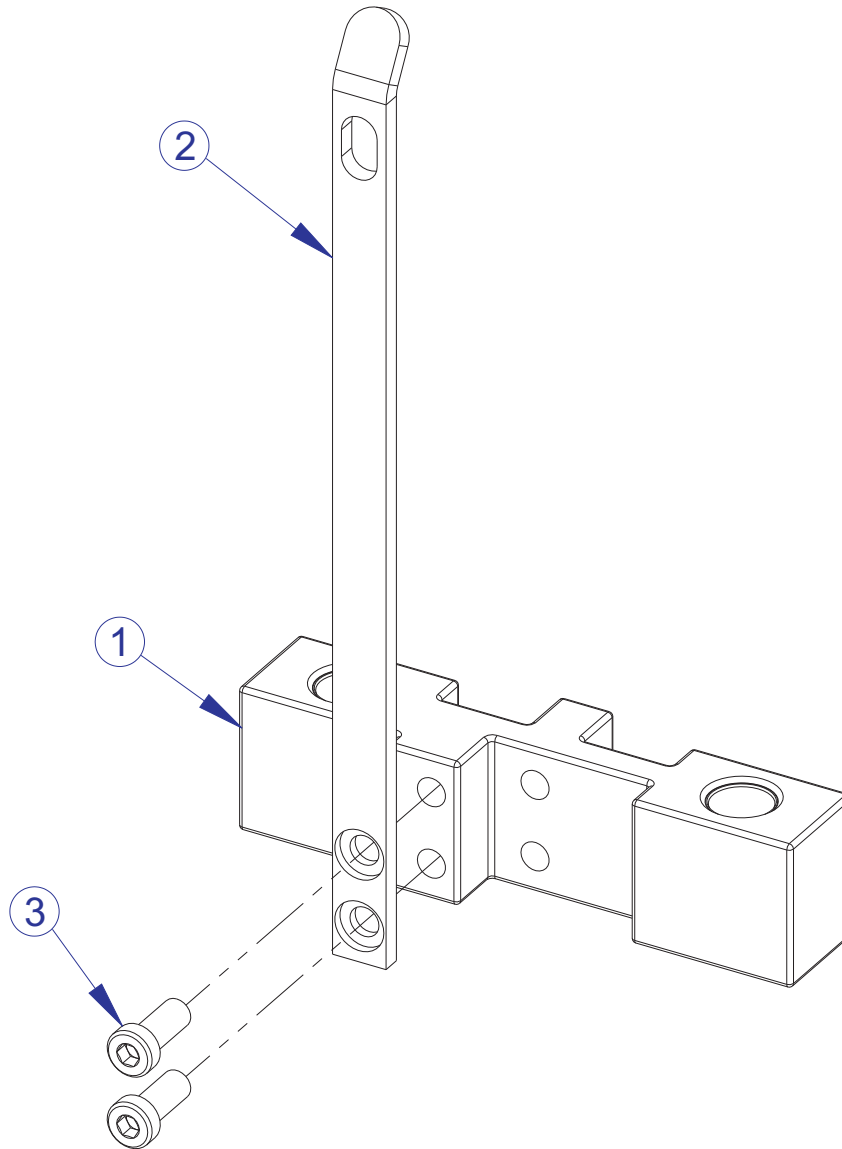
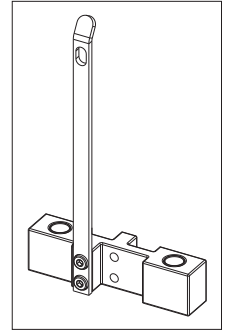


# FZSLP SEATED LEG PRESS 10 LB. INCREMENT WEIGHT ASSEMBLY - 7327701



ITEM NO.	QTY.	PART NO.	DESCRIPTION
1	1	7968501	ASSY, FZ INC WEIGHT 5LB
2	1	7328101	BRKT, INCREMENT WT - 10 LB
3	2	3236202	SCREW, M10 X1.5 25MM

# FZSLP SEATED LEG PRESS 15 LB. INCREMENT WEIGHT ASSEMBLY - 7327801

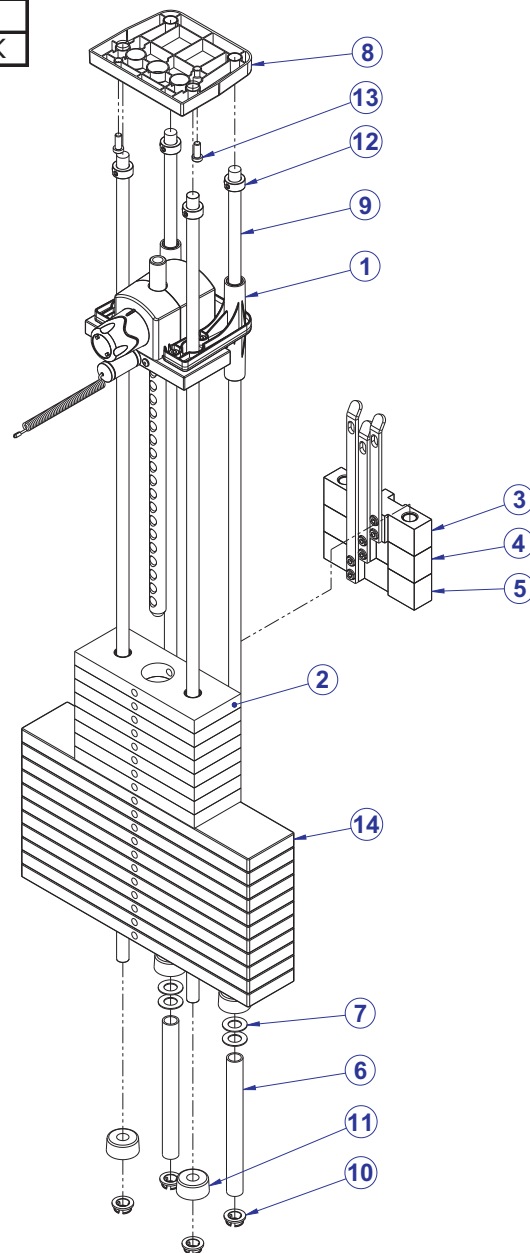


ITEM NO.	QTY.	PART NO.	DESCRIPTION
1	1	7968501	ASSY, FZ INC WEIGHT 5LB
2	1	7328201	BRKT, INCREMENT WT - 15 LB
3	2	3236202	SCREW, M10 X1.5 25MM

# FZSLP SEATED LEG PRESS

OPTIONAL HIGH LIGHT-14 WEIGHT STACK ASSY. - 8866301

WEIGHT STACK LABEL	
8867001	LABEL, 310 LB STACK

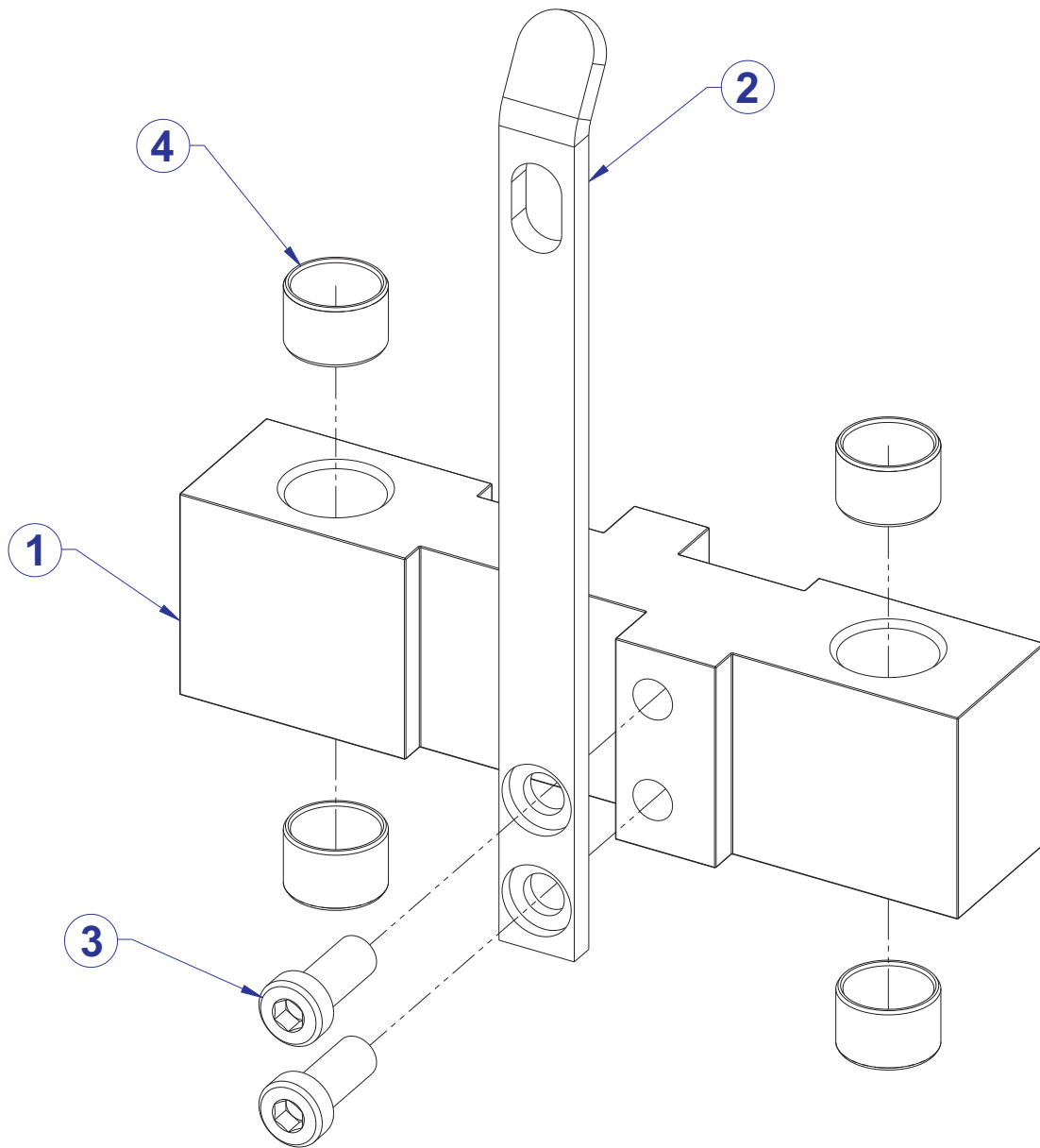


ITEM NO.	QTY.	PART NO.	DESCRIPTION
1	1	7350801	ASSY, HEAD PLATE (19)
2	8	7353701	ASSY, 10 LB PLATE
3	1	8861301	ASSY, FZ INC WEIGHT - 2.5 LB
4	1	8861401	ASSY, FZ INC WEIGHT - 5 LB
5	1	8861501	ASSY, FZ INC WEIGHT - 7.5 LB
6	2	7328702	SPACER, INC WT STACK - 19 PLT
7	4	7351001	SPACER, INC WT STACK
8	1	7621101	RETAINER, GUIDE ROD - TOP
9	4	7328606	GUIDE ROD, .75 OD SOLID 59.63
10	4	7337901	BUSHING, GUIDE ROD
11	4	7352101	CUSHION, WEIGHT STACK
12	4	3103301	SHAFT COLLAR, 3/4 I.D. ZINC
13	2	3236202	SCREW, M10 X1.5 25MM
14	11	7328401	WEIGHT PLATE, 20 LB

# FZSLP SEATED LEG PRESS

## OPTIONAL 2.5 LB. INCREMENT WEIGHT ASSY. - 8861301

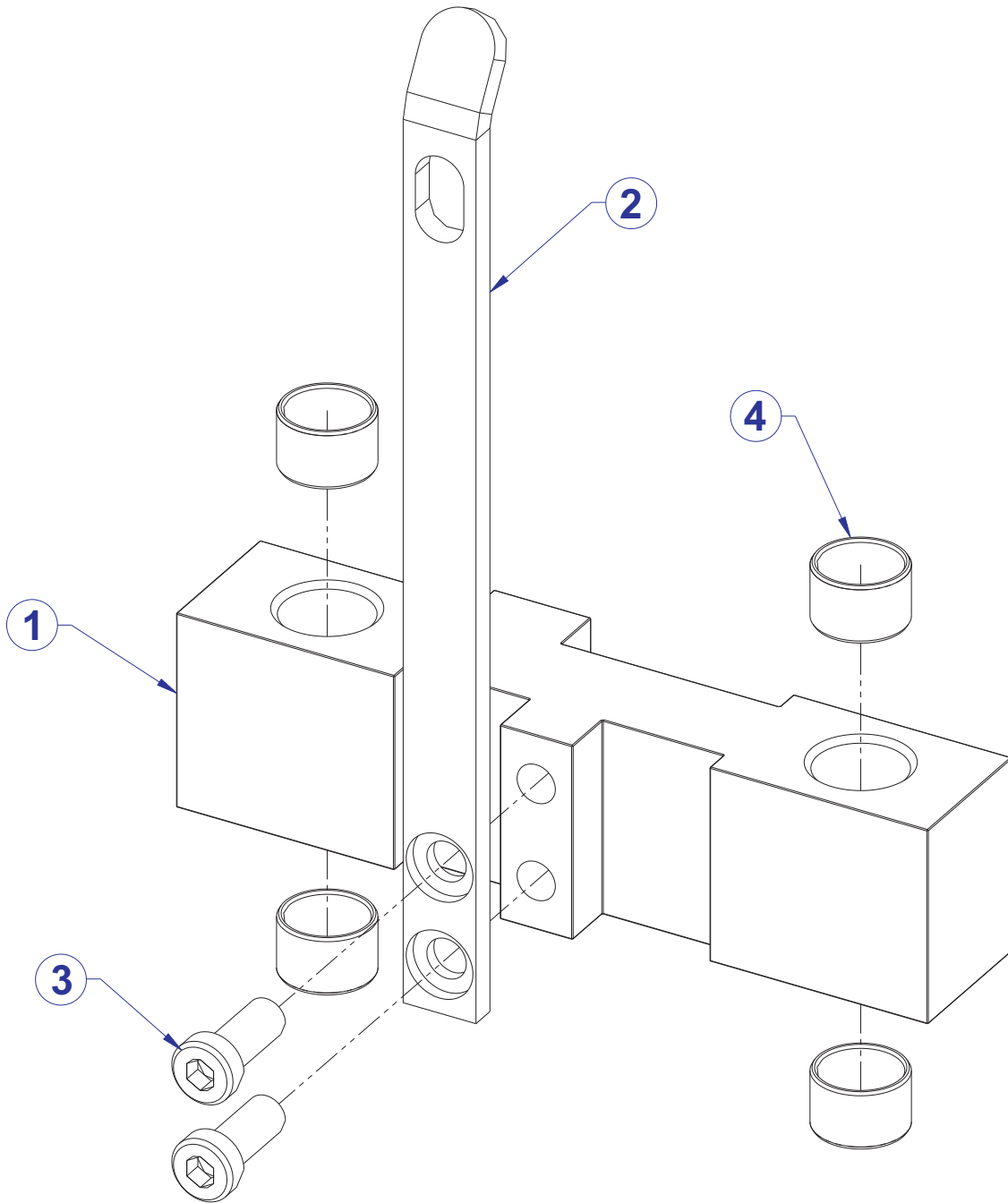
---



ITEM NO.	QTY.	PART NO.	DESCRIPTION
1	1	8861295	INCREMENT WEIGHT, FZ OPTIONAL - SG
2	1	7328001	BRKT, INCREMENT WT - 5 LB
3	2	3236202	SCREW, M10 X1.5 25MM
4	4	3202501	BEARING, SLEEVE 20 ID X 23.00 X 15 MM

# FZSLP SEATED LEG PRESS

## OPTIONAL 5 LB. INCREMENT WEIGHT ASSY. - 8861401

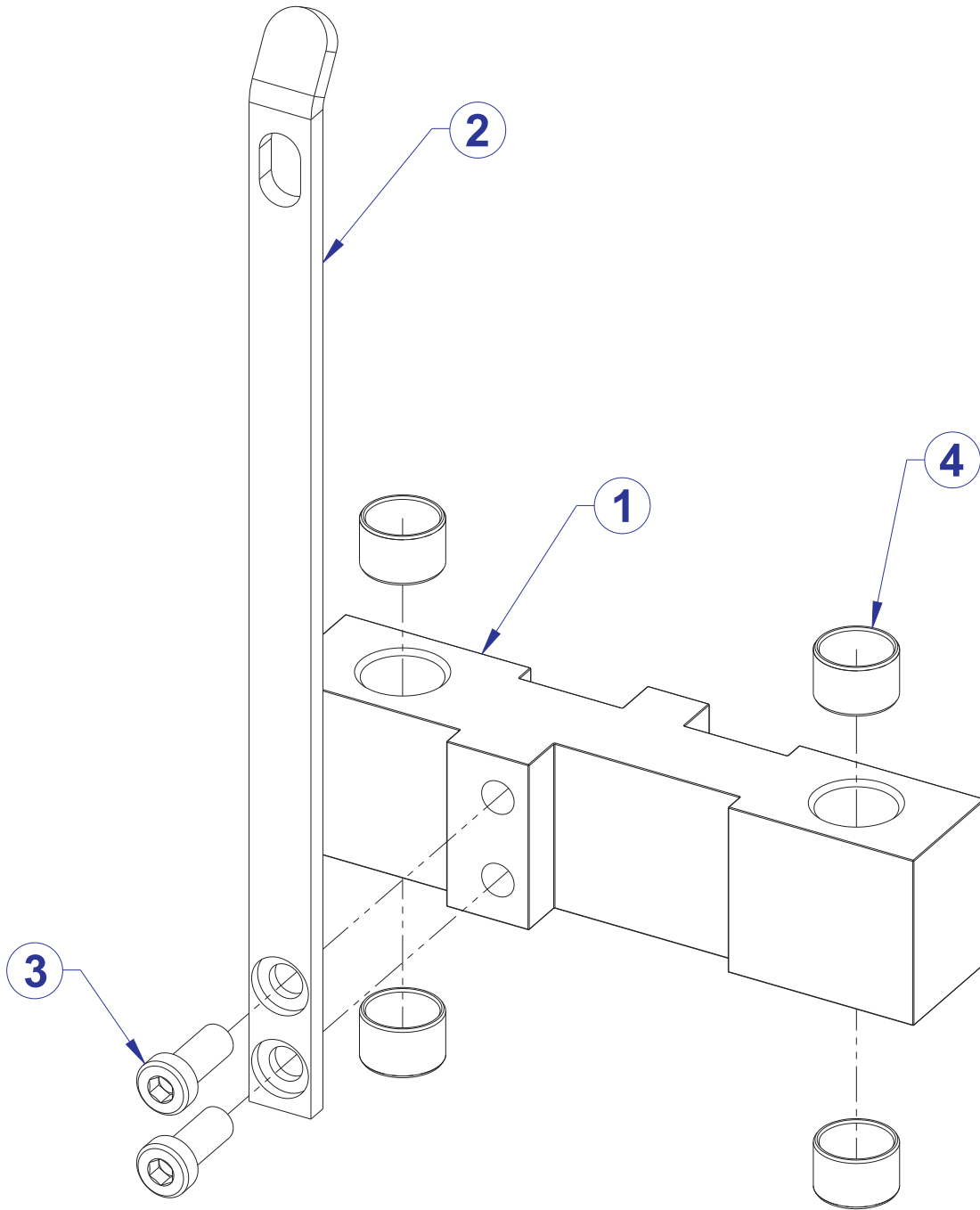


ITEM NO.	QTY.	PART NO.	DESCRIPTION
1	1	8861295	INCREMENT WEIGHT, FZ OPTIONAL - SG
2	1	7328101	BRKT, INCREMENT WT - 10 LB
3	2	3236202	SCREW, M10 X1.5 25MM
4	4	3202501	BEARING, SLEEVE 20 ID X 23.00 X 15 MM

# FZSLP SEATED LEG PRESS

OPTIONAL 7.5 LB. INCREMENT WEIGHT ASSY. - 8861501

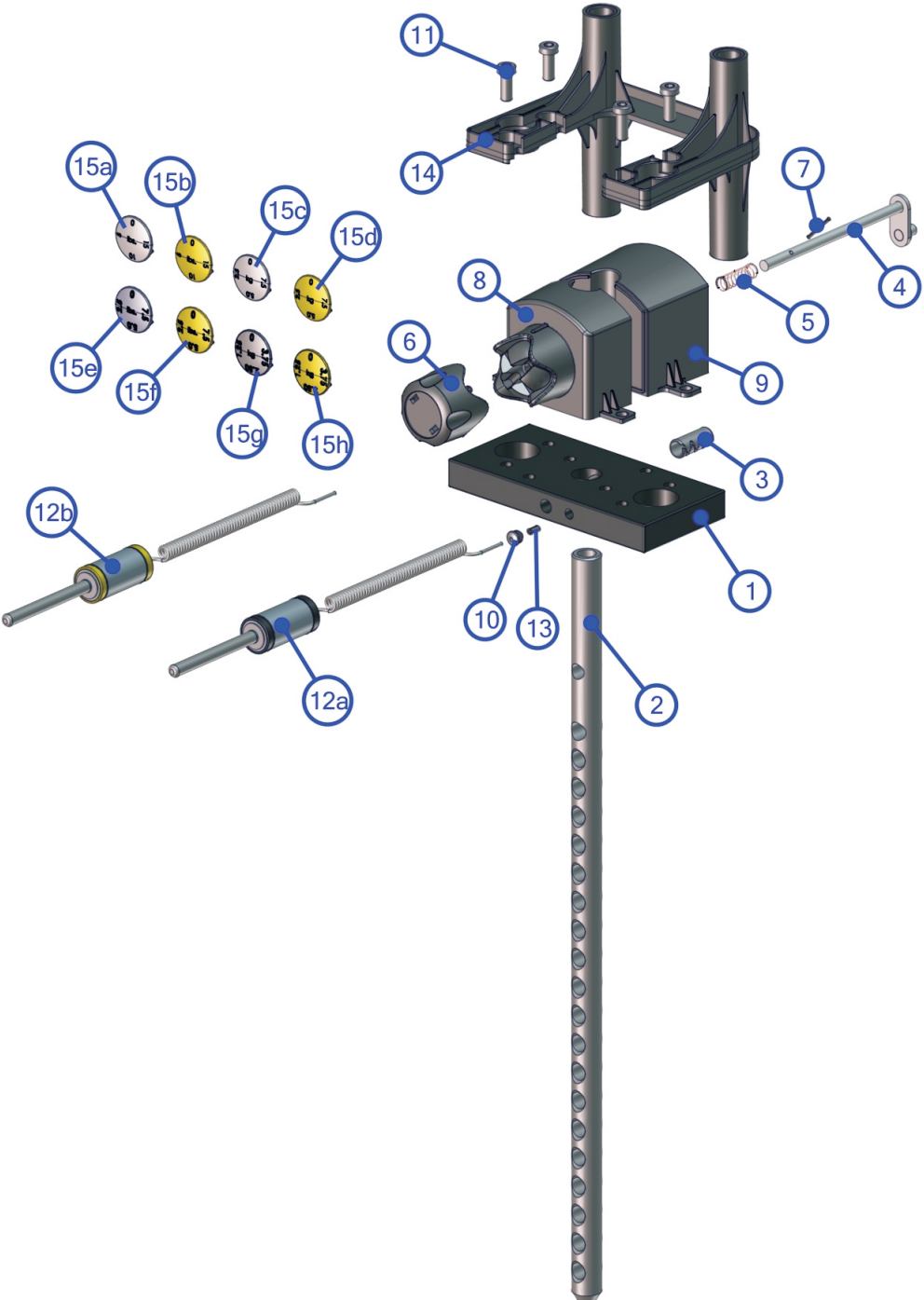
---



ITEM NO.	QTY.	PART NO.	DESCRIPTION
1	1	8861295	INCREMENT WEIGHT, FZ OPTIONAL - SG
2	1	7328201	BRKT, INCREMENT WT - 15 LB
3	2	3236202	SCREW, M10 X1.5 25MM
4	4	3202501	BEARING, SLEEVE 20 ID X 23.00 X 15 MM

# FZSLP SEATED LEG PRESS HEAD PLATE ASSEMBLY - 7350801

---



SEE PAGE 24 FOR LEGEND

# FZSLP SEATED LEG PRESS HEAD PLATE ASSEMBLY LEGEND

---

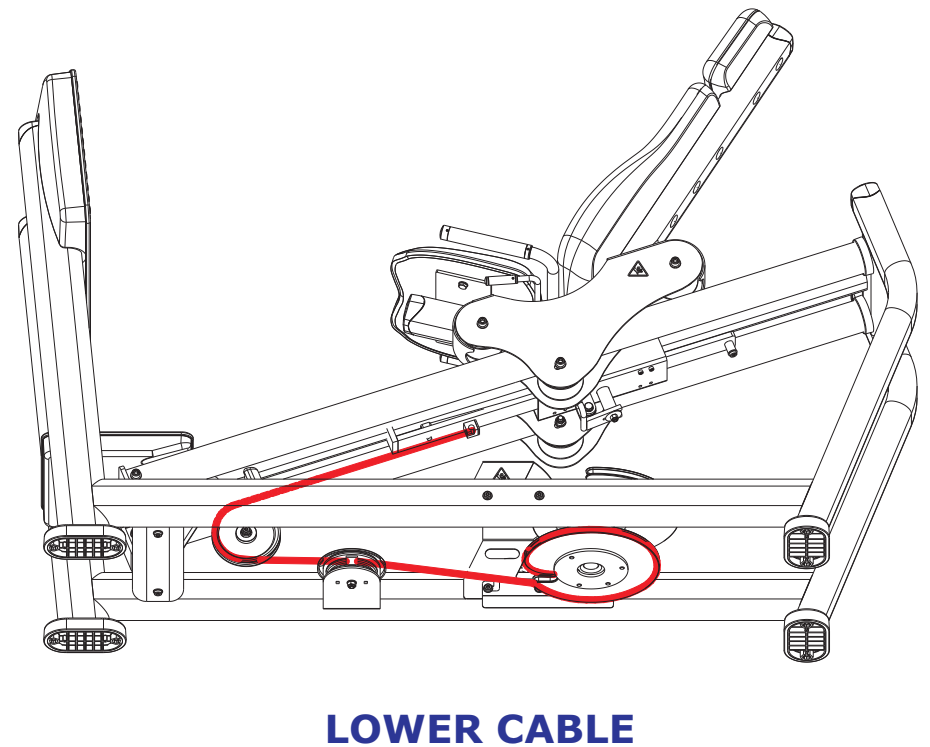
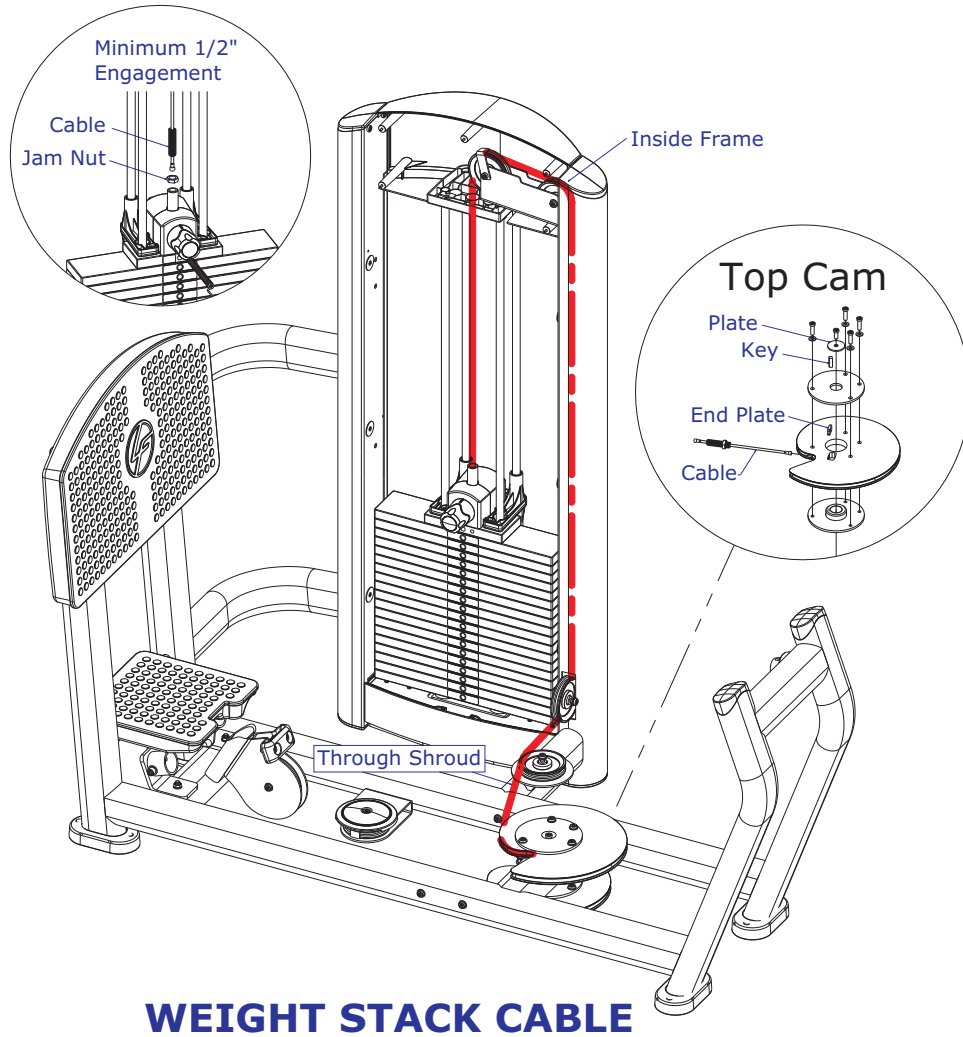
ITEM NO.	QTY.	PART NO.	DESCRIPTION	WHERE USED	
1	1	7326701	HEAD PLATE	-	
2	1	7349501	STEM, 19 PLATE	-	
3	1	3236001	BUSHING, SPRING PIN	-	
4	1	7327201	WLDMT, INCREMENT WT PIN	-	
5	1	8024501	SPRING, 1/2 OD X 1-1/2	-	
6	1	7326101	KNOB, INC WT SELECTOR	-	
7*	1	3110008	ROLL PIN, 1/8 X 1-1/4	-	
8*	1	7326401	HOUSING, SELECTOR - FRONT	-	
9*	1	7326501	HOUSING, SELECTOR - REAR	-	
10	1	7356501	PLUG, LANYARD ATTACHMENT	-	
11	4	3236202	SCREW, M10 X1.5 25MM	-	
12**	a	1	7338101	ASSY, WT STACK SELECTOR PIN-SILVER	-
	b		7338103	ASSY, WT STACK SELECTOR PIN-YELLOW	-
13	1	7523601	CRIMP, CABLE	-	
14	1	8867301	ASSY, FZ, STABILIZER WITH BUSHINGS	-	
15**	a	1	7398601	CAP, SELECTOR KNOB - 5 LBS, SILVER	REG. STACK / LBS.
	b		7398603	CAP, FZ SELECTOR KNOB - 5 LBS, YELLOW	REG. STACK / LBS.
	c		7398701	CAP, FZ SELECTOR KNOB - 2.5 KG, SILVER	REG. STACK / KG.
	d		7398703	CAP, FZ SELECTOR KNOB - 2.5 KG, YELLOW	REG. STACK / KG.
	e		8865801	CAP, FZ SELECTOR KNOB - 2.5 LBS, SILVER	LIGHT STACK / LBS.
	f		8865803	CAP, FZ SELECTOR KNOB - 2.5 LBS, YELLOW	LIGHT STACK / LBS.
	g		8946501	CAP, FZ SELECTOR KNOB - 1.25 KG, SILVER	LIGHT STACK / KG.
	h		8946503	CAP, FZ SELECTOR KNOB - 1.25 KG, YELLOW	LIGHT STACK / KG.

\* Kit exists for component set. See bulletin FZ02012701N

\*\* Language specific/Weight stack item. Order separately-not part of assembly.



# FZSLP SEATED LEG PRESS CABLE ROUTING



# FZSLP SEATED LEG PRESS IMAGE

---

