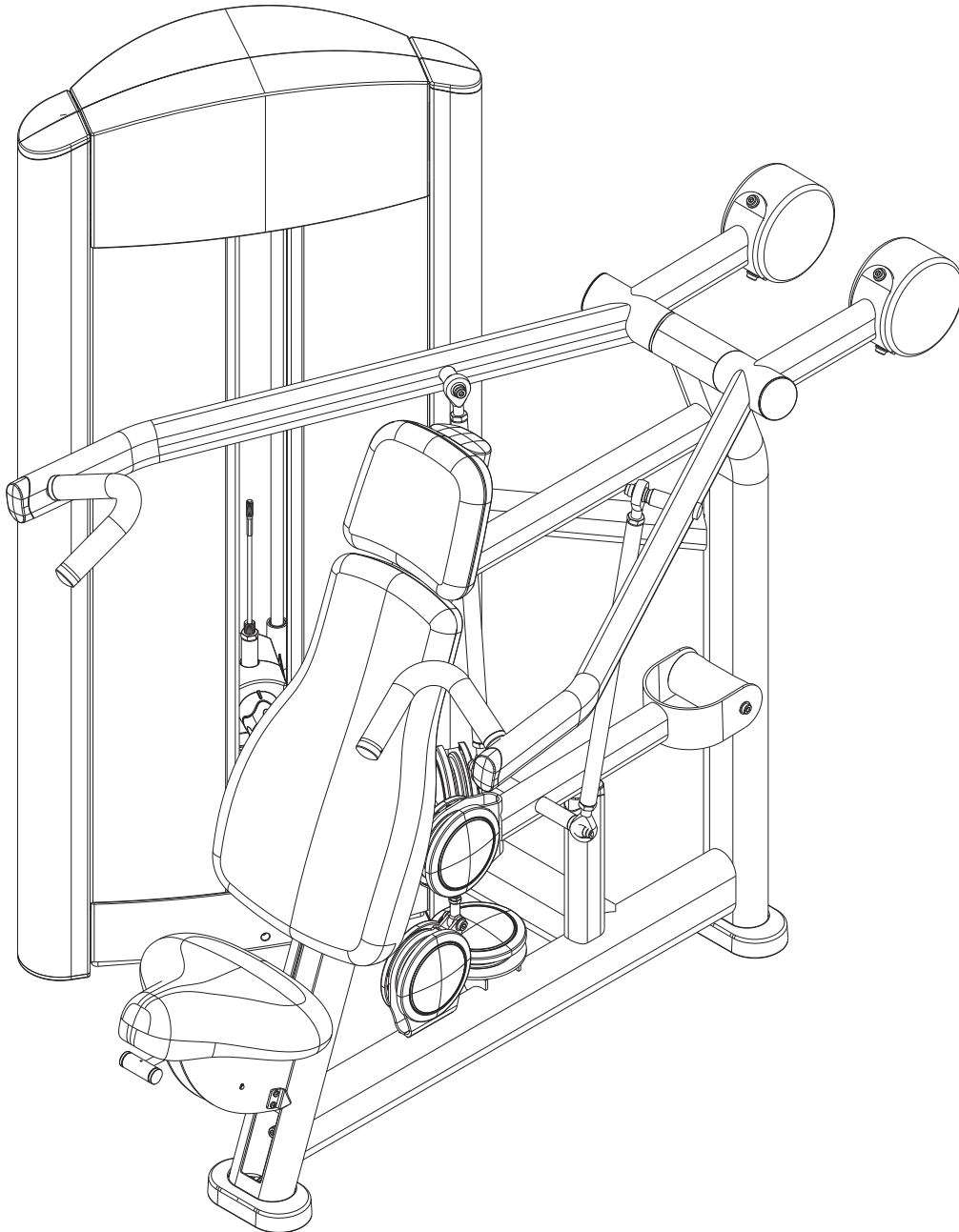




SIGNATURE SERIES
FZSP
SHOULDER PRESS



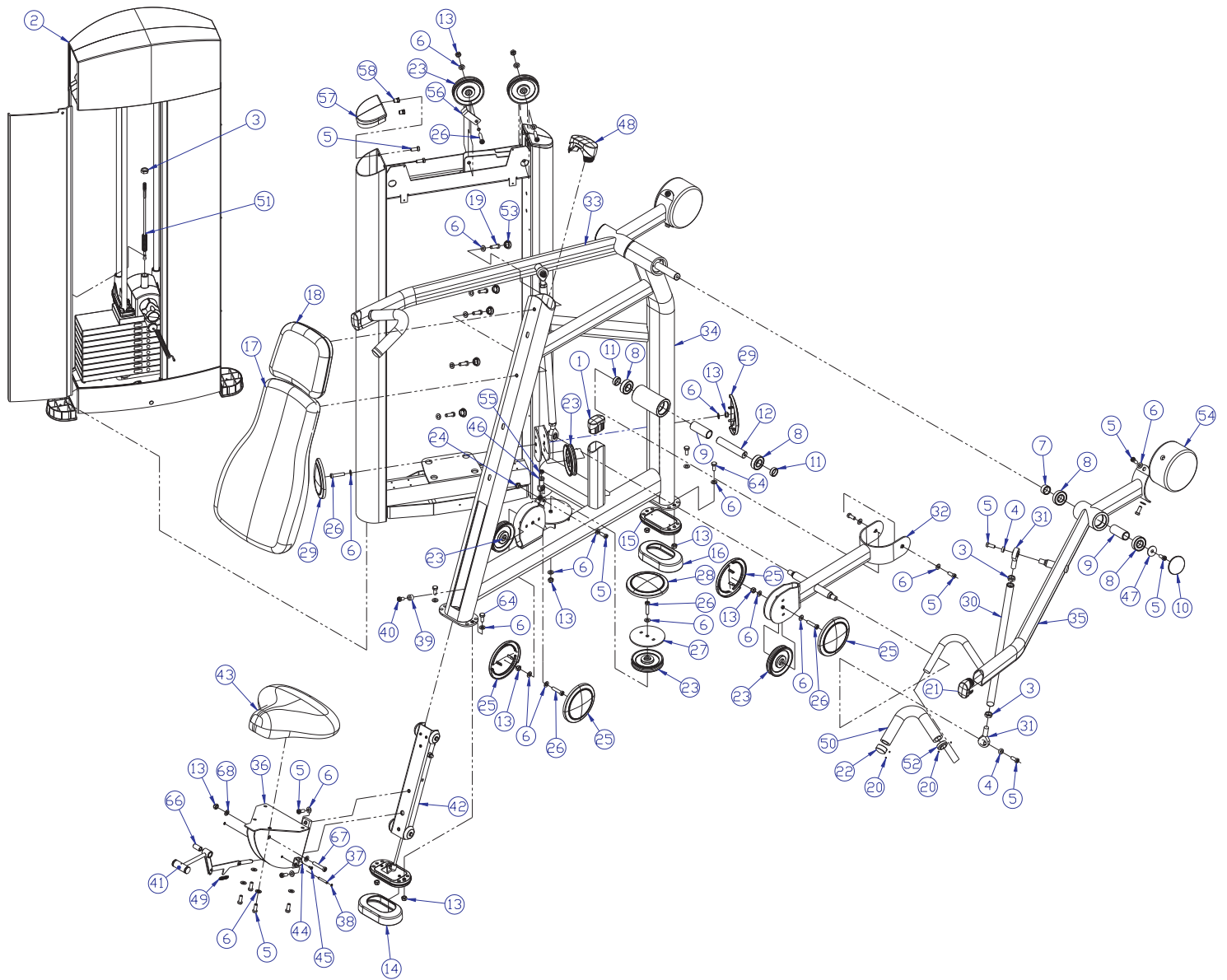
Customer Support Services
PARTS LIST

FZSP SHOULDER PRESS

Contents

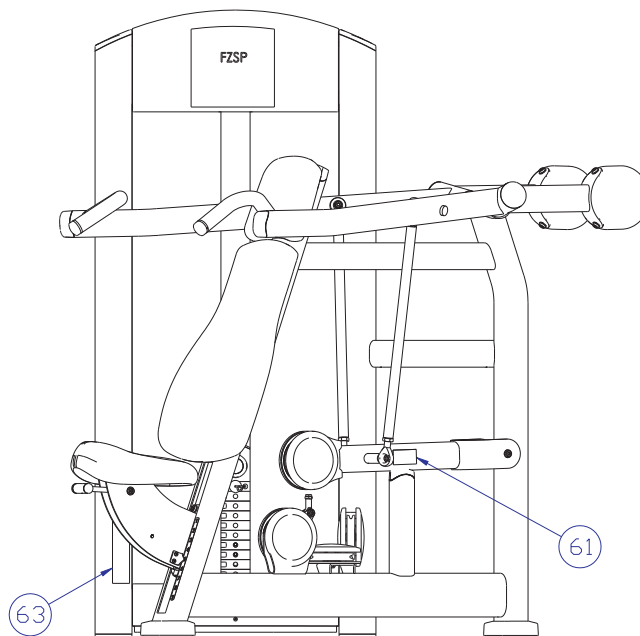
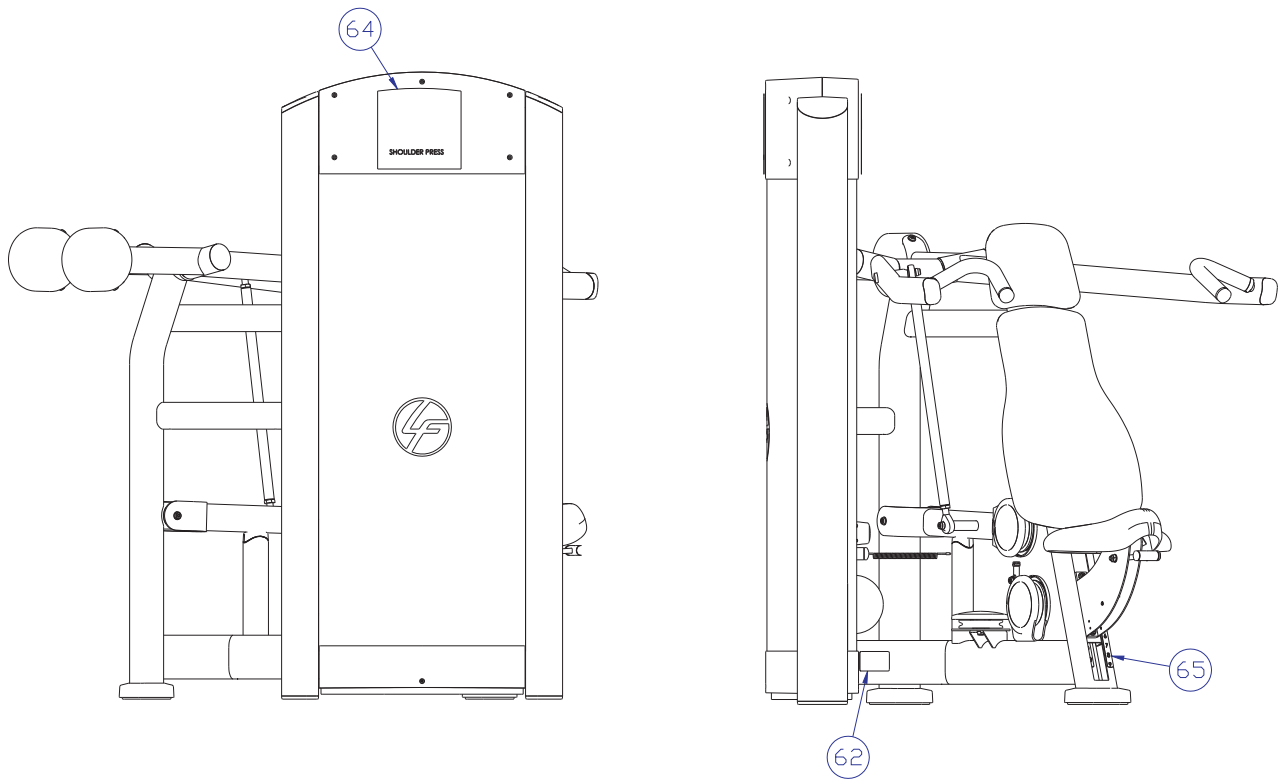
	PAGE
COMPONENT ASSEMBLY	3
COMPONENT ASSEMBLY II	4
COMPONENT ASSEMBLY LEGEND	5
FZ SEAT CARRIAGE ASSEMBLY	6
FZSP ADJUSTER HANDLE ASSEMBLY	7
MID-9 TOWER ASSEMBLY	8
PLASTIC TOWER ASSEMBLY	9
MID-9 WEIGHT STACK ASSEMBLY	10
5 LB INCREMENT WEIGHT ASSEMBLY	11
10 LB INCREMENT WEIGHT ASSEMBLY	12
15 LB INCREMENT WEIGHT ASSEMBLY	13
HEAD PLATE ASSEMBLY	14
IMAGE	15

FZSP SHOULDER PRESS COMPONENT ASSEMBLY



SEE PAGE 5 FOR LEGEND

FZSP SHOULDER PRESS COMPONENT ASSEMBLY II

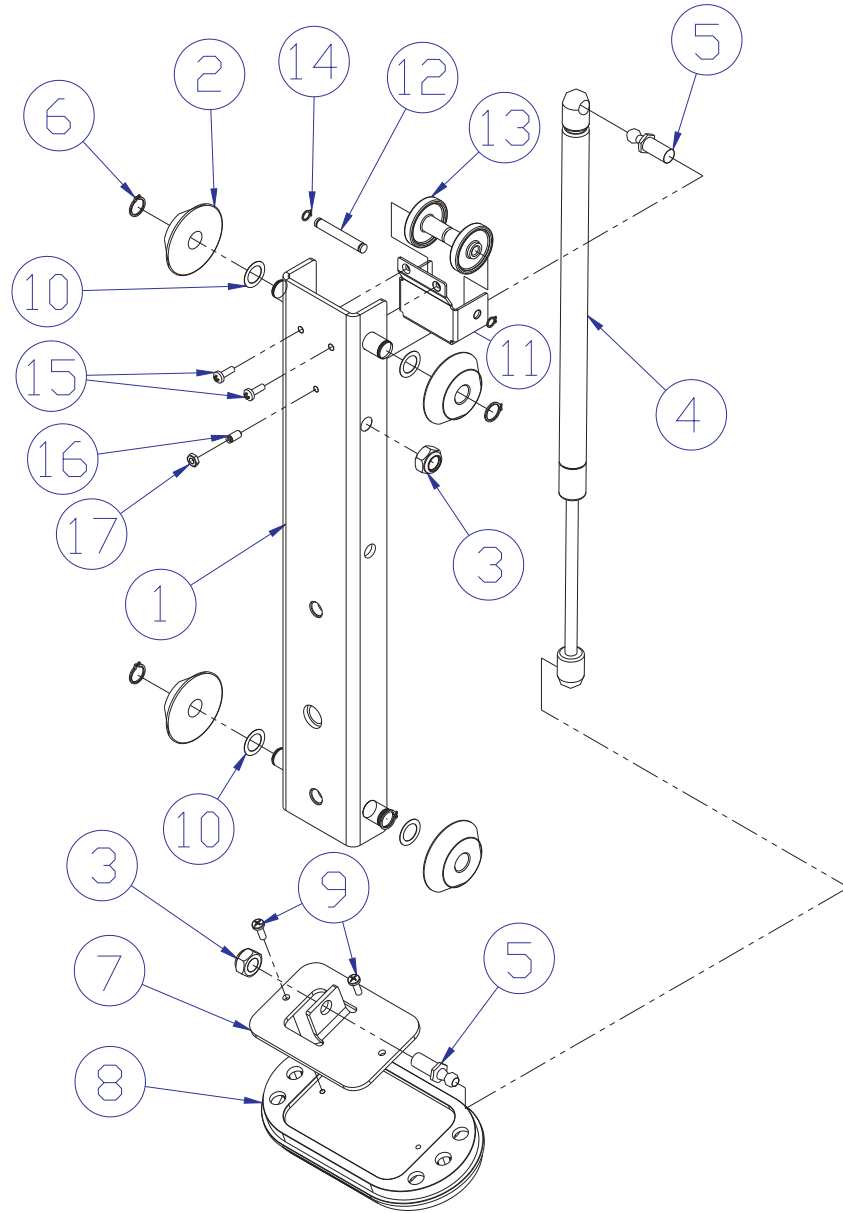


SEE PAGE 5 FOR LEGEND

FZSP SHOULDER PRESS COMPONENT ASSEMBLY LEGEND

ITEM NO	QTY	PART NO	DESCRIPTION	ITEM NO	QTY	PART NO	DESCRIPTION
1	1	7317901	STOP, BUMPER	35	1	7761401	WELDMNT, FZSP PRESS ARM LH
2	1	7420301	ASSY, MID TOWER-9	36	1	7330501	WLDMT, FZ SEAT SUPPORT
3	5	3236902	NUT, M16 X 2 HEX JAM SS	37	1	7407502	PIN, LINK
4	4	7385201	SPACER, .406 X .750 X .250	38	2	3232401	RING, RETAINING, EXTERNAL
5	23	3236202	SCREW, M10 X1.5 25MM	39	1	7385203	SPACER, .406 X .750 X .500
6	33	3236601	WASHER, 3/8 SAE SS	40	1	3236201	SCREW, M10 X1.5 20MM
7	2	7330002	SPACER, INTERNAL X .653	41	1	7778001	ASSY, FZ ADJUSTER HANDLE
8	6	3235601	BEARING, 6205 BALL	42	1	7670501	ASSY, FZ SEAT CARRIAGE
9	3	7330003	SPACER, INTERNAL X 3.265	43	1	7297101	PAD, SEAT SADDLE
10	2	7308701	CAP, BEARING HOUSING	44	1	7425295	BRKT, SEAT INDICATOR
11	2	7330001	SPACER, INTERNAL X .403	45	2	3239101	SCREW, M5X10 PHL PAN TT ST
12	1	7316502	SHAFT, 25MM X 5.250	46	1	3237901	ROD END, METRIC FEMALE
13	11	3236801	NUT, M10 HEX NYLOCK SS	47	2	3236701	WASHER, FENDER 3/8" ID X 1.5" OD SS
14	1	7419601	COVER, FOOT-20 DEG.	48	1	7333901	CAP, LARGE FLOV- END
15	1	7334001	FOOT, 2.50 X 4.49 FLOV	49	1	3239201	SPRING, EXT, .375 X .049 X 2.00
16	1	7340201	COVER, FOOT - STRAIGHT	50	2	3235802	GRIP, 1.5 OD X 4.75"
17	1	7474101	PAD, LARGE BACK	51	1	7423601	CABLE, FZSP
18	1	7474301	PAD, HEAD REST	52	2	7662802	RING, GRIP 1.50 OD
19	5	3236204	SCREW, M10 X1.5 35MM	53	5	3237403	PLUG, 1" HOLE
20	8	3247701	M4 X .7 HXS NO CUP ST BO	54	2	7444701	COUNTER WEIGHT, LARGE - COATED
21	2	7333801	CAP, SMALL FLOV- END	55	1	3236901	NUT, M10 X 1.5 JAM
22	2	7662902	CAP, GRIP 1.50 OD	56	1	6757701	CLIP, CABLE 2-7/8 X 1 X 1
23	6	3237801	PULLEY, 4.5" OD	57	2	7326201	CAP, D-TUBE - TOP
24	1	7335401	NUT, M10 X 1.5 SOCKET HEAD	58	4	3238601	M10X1.5 BLIND THREADED INSERT (HEX)
25	4	7340001	COVER, PULLEY- NOTCHED	59	1	7422003	LABEL, MOVING PARTS
26	6	3236206	SCREW, M10 X1.5 45MM	60	1	7571301	LABEL, SERIAL NUMBER
27	1	7318201	PLATE, PULLEY	61	1	7422004	LABEL, 2" ASTM WARN
28	1	7333701	COVER, PULLEY- FLUSH	62	1	7506801	LABEL, FZSP LOGO
29	2	7333601	COVER, PULLEY- PARTIAL	63	1	7524501	LABEL, 1-9 STRAIGHT
30	2	7318002	TIE ROD, 1 X 22	64	4	3251202	SCREW, M10 X1.5 X 25MM UNS HEX CS ST ZN
31	4	3238701	ROD END, METRIC MALE	65	1	7506701	LABEL, FZSP PLACARD
32	1	7315501	WLDMT-FZSP-PIVOT ARM	66	1	7776501	SHAFT, .625 X .406 X 1.200
33	1	7761301	WLDMT, FZSP PRESS ARM RH	67	1	3236208	SCREW, M10 X1.5 55MM
34	1		WLDMT, FZSP FRAME	68	2	7776401	SPACER, FLANGE .406 X .495 X .81

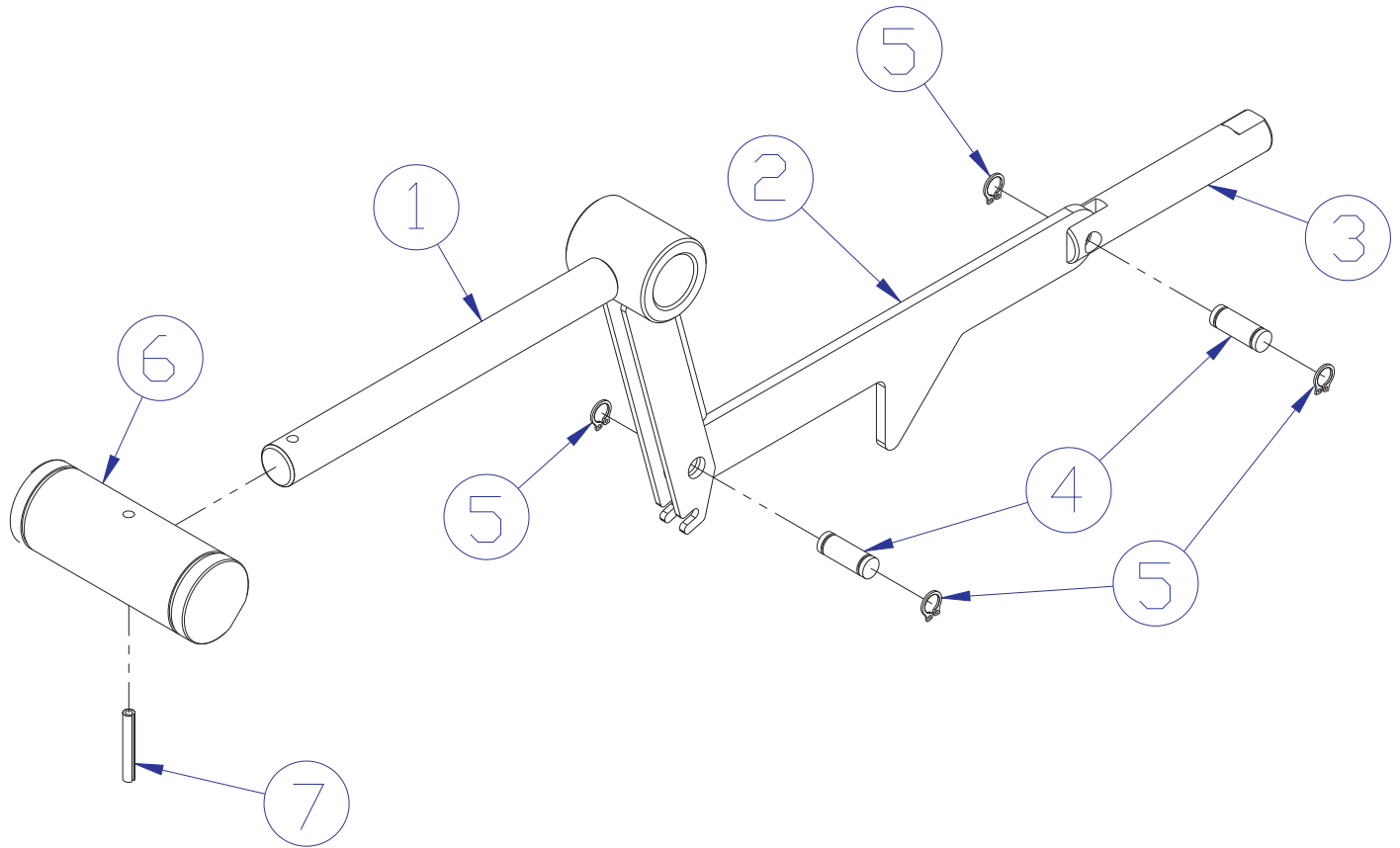
FZSP SHOULDER PRESS FZ SEAT CARRIAGE ASSEMBLY - 7670501



SHOWN IN HIGH MOUNT POSITION

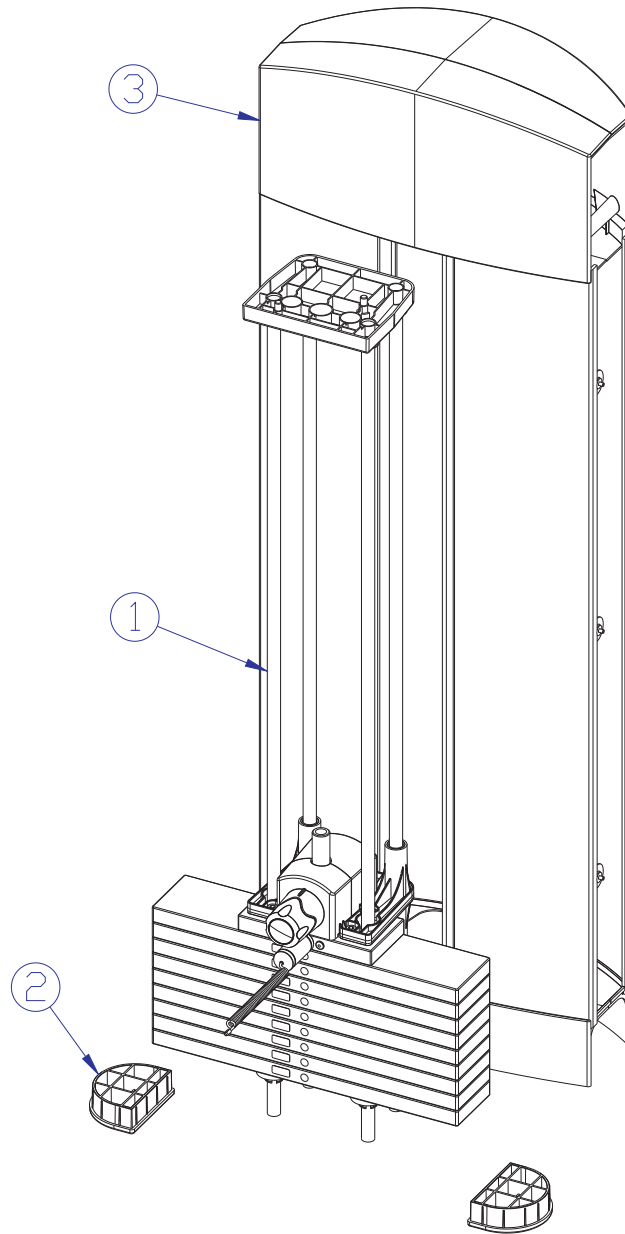
ITEM NO	QTY	PART NO	DESCRIPTION
1	1	7626901	WLDMT, FZ SEAT CARRIAGE
2	4	7331501	ROLLER, SEAT CARRIAGE
3	2	3236801	NUT, M10 HEX NYLOCK SS
4	1	3235702	SPRING, GAS 100N
5	2	7414301	STUD, M10 BALL END M10 X 1.5
6	4	3232409	RING, RETAINING, EXTERNAL
7	1	7339401	BRACKET, GAS SPRING
8	1	7334001	FOOT, 2.50 X 4.49 FLOV
9	2	3241201	M4 PHL PAN F ST ZN
10	4	3243801	WASHER, .500 X .750 X .010 SHIM
11	1	7617401	BRKT, ROLLER
12	1	7407502	PIN, LINK
13	2	7617501	ROLLER, FLANGE
14	2	3232401	RING, RETAINING, EXTERNAL
15	2	3236501	M4 X 0.7 PHL PAN MS ST ZN
16	1	3247402	M5 X 0.8 X 10 HXS NO CUP ST BO
17	1	3247501	NUT, M5 X 0.8 HEX JAM ST ZN

FZSP SHOULDER PRESS FZSP ADJUSTER HANDLE ASSEMBLY - 7778001



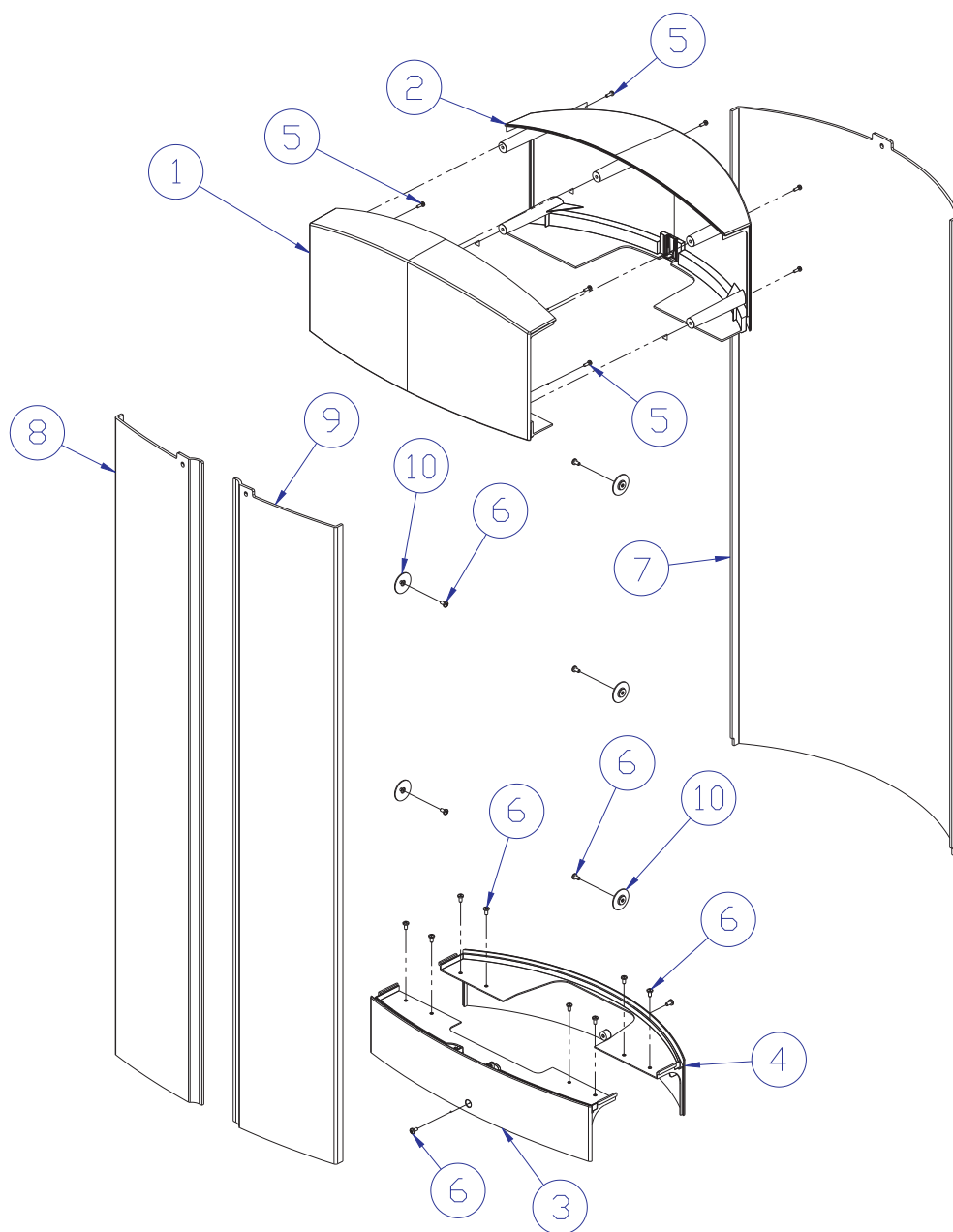
ITEM NO	QTY	PART NO	DESCRIPTION
1	1	7777595	WLDMT, FZ SEAT ADJ HANDLE SHADOW GRAY
2	1	7331801	LINK, ADJUSTER
3	1	7331601	PIN, INDEX
4	2	7407501	PIN, LINK
5	4	3232401	RING, RETAINING, EXTERNAL
6	1	7287901	HANDLE, ADJUSTER
7	1	3110010	ROLL PIN, 1/8 X 7/8

FZSP SHOULDER PRESS MID-9 TOWER ASSEMBLY - 7420301



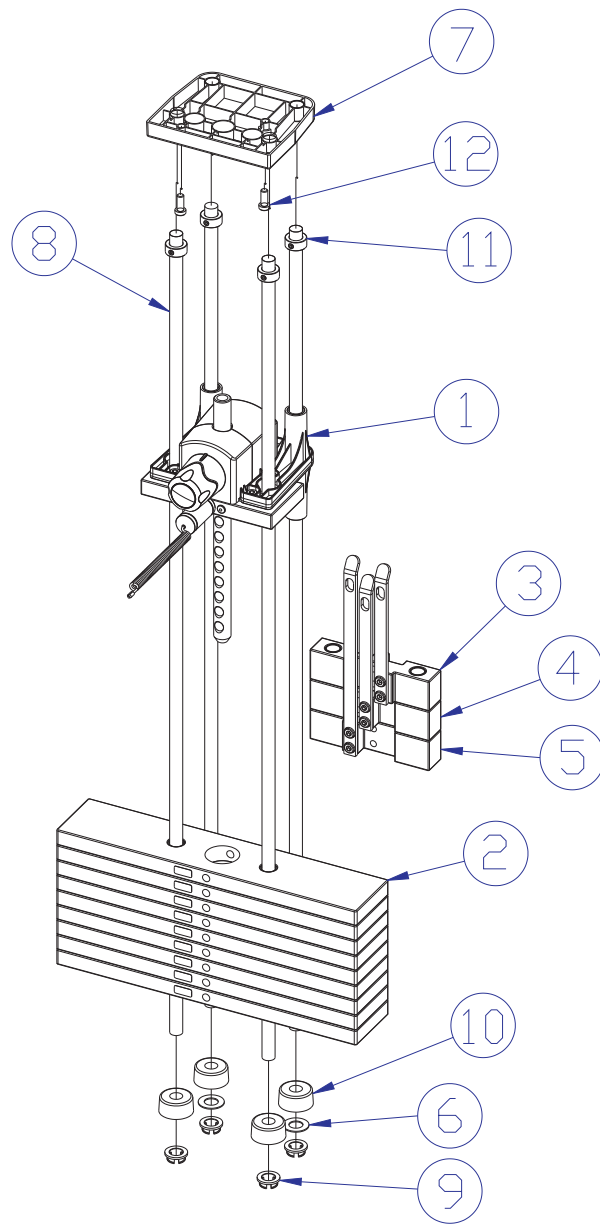
ITEM NO	QTY	PART NO	DESCRIPTION
1	1	7420001	ASSY, WEIGHT STACK MID-9
2	2	7326301	CAP, D-TUBE-BTM
3	1	7419801	ASSY, TOWER PLASTICS-MID

FZSP SHOULDER PRESS PLASTIC TOWER ASSEMBLY - 7419801



ITEM NO	QTY	PART NO	DESCRIPTION
1	1	7318601	COVER, TOWER- TOP FRONT
2	1	7318701	COVER, TOWER- TOP REAR
3	1	7318801	COVER, TOWER- BOTTOM FRONT
4	1	7318901	COVER, TOWER- BOTTOM REAR
5	9	3236501	M4 X 0.7 PHL PAN MS ST ZN
6	16	3239101	SCREW, M5X10 PHL PAN TT ST
7	1	7318301	SHROUD, TOWER- REAR SHORT
8	1	7318401	SHROUD, TOWER- FRT SHORT RH
9	1	7318402	SHROUD, TOWER- FRT SHORT LH
10	6	7583501	RETAINER, FZ SHROUD

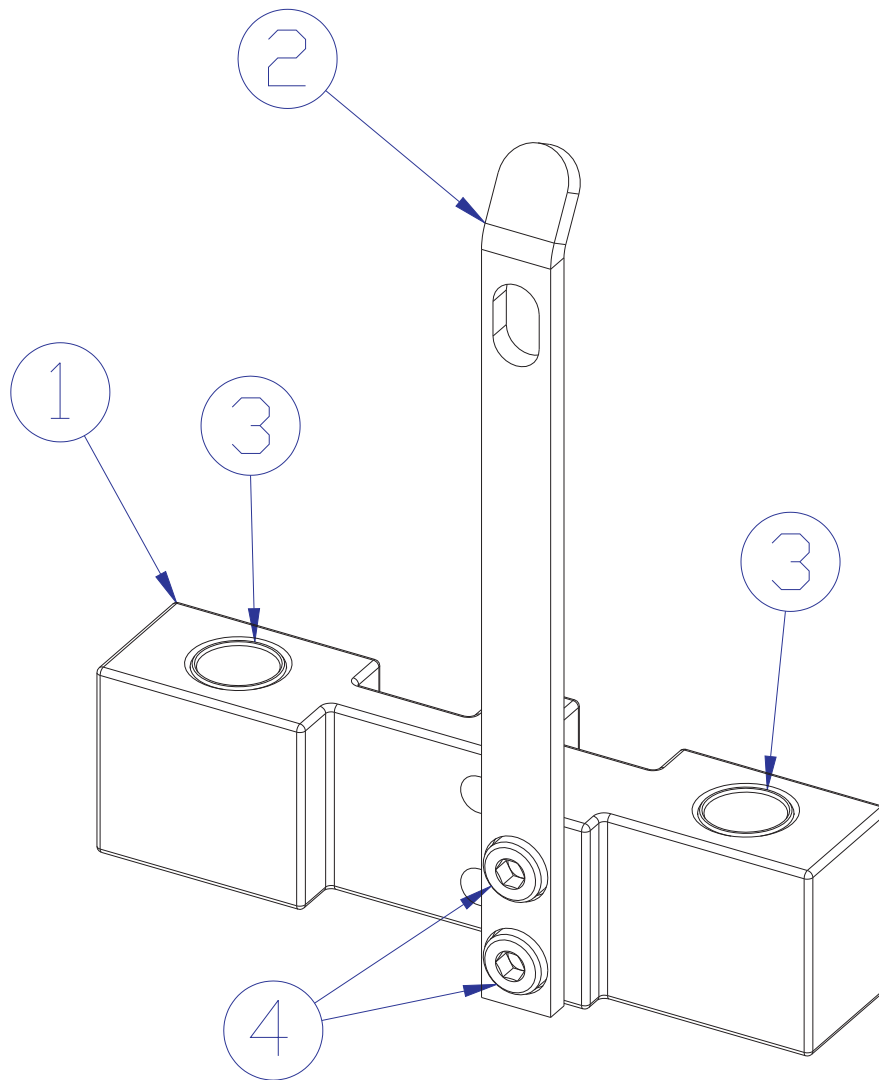
FZSP SHOULDER PRESS MID-9 WEIGHT STACK ASSEMBLY - 7420001



ITEM NO	QTY	PART NO	DESCRIPTION
1	1	7350601	ASSY, HEAD PLATE (9)
2	9	7328401	WEIGHT PLATE, 20 LB
3	1	7327601	ASSY, INCREMENT WT-5LB
4	1	7327701	ASSY, INCREMENT WT-10LB
5	1	7327801	ASSY, INCREMENT WT-15LB
6	2	7351001	SPACER, INC WT STACK
7	1	7621101	RETAINER, GUIDE ROD-TOP
8	4	7328602	GUIDE ROD, .75 OD SOLID X 53.50
9	4	7337901	BUSHING, GUIDE ROD
10	4	7352101	CUSHION, WEIGHT STACK
11	4	3103301	SHAFT COLLAR, 3/4" ID ZINC
12	2	3236202	M10 X 1.5 X 25 HXS SOC CS SS

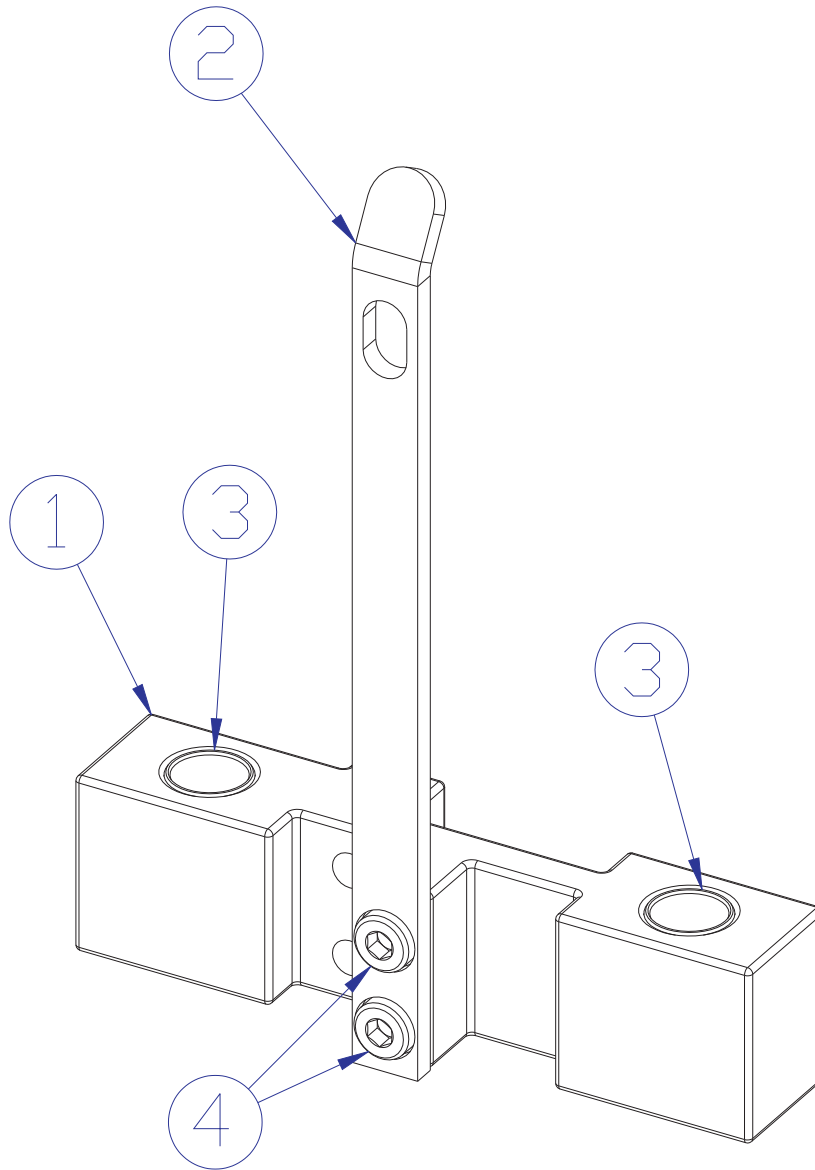
FZSP SHOULDER PRESS

5 LB INCREMENT WEIGHT ASSEMBLY - 7327601



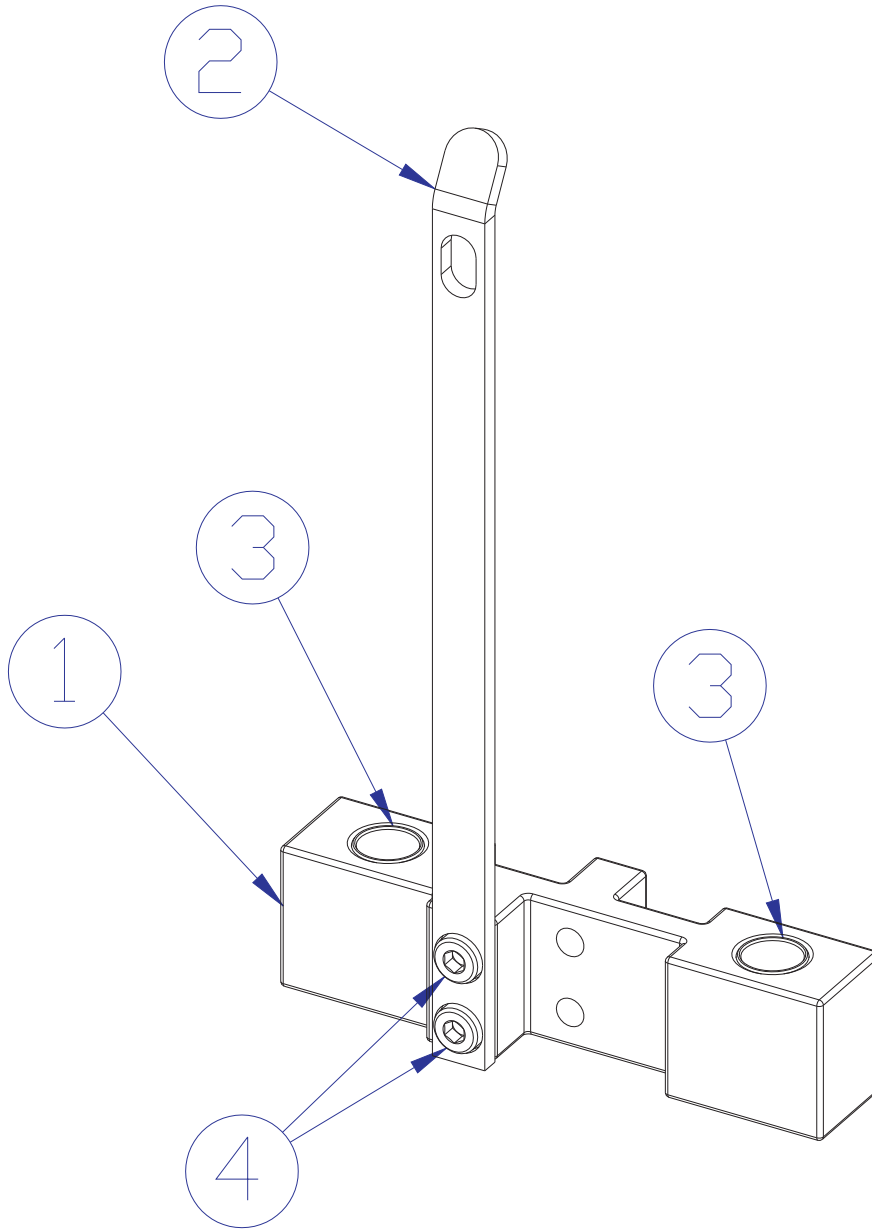
ITEM NO	QTY	PART NO	DESCRIPTION
1	1	7327901	INCREMENT WEIGHT, 5 LB
2	1	7328001	BRKT, INCREMENT WT - 5 LB
3	4	3202501	BEARING, SLEEVE 20 ID X 23.00 X 15 MM
4	2	3236202	SCREW, M10 X1.5 25MM

FZSP SHOULDER PRESS 10 LB INCREMENT WEIGHT ASSEMBLY - 7327701



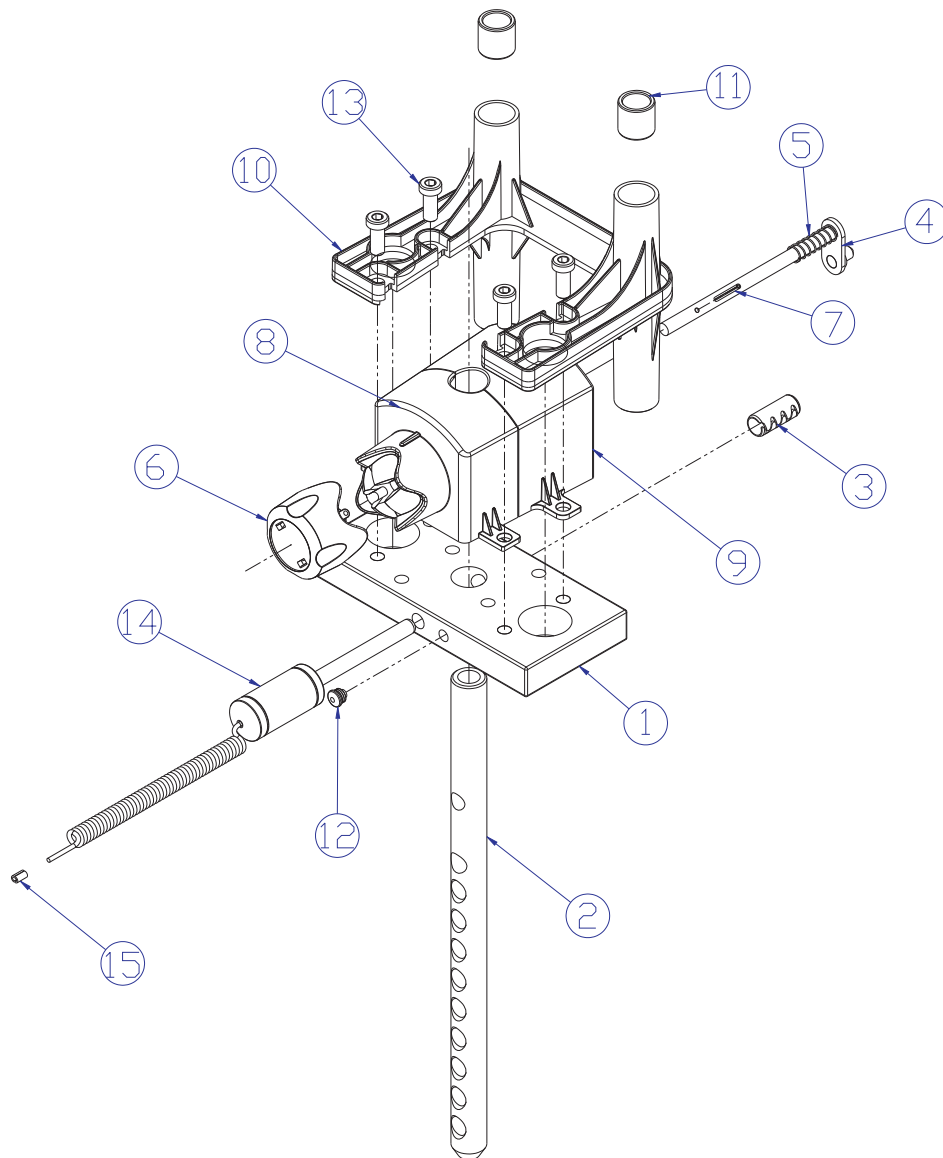
ITEM NO	QTY	PART NO	DESCRIPTION
1	1	7327901	INCREMENT W EIGHT, 5 LB
2	1	7328101	BRKT, INCREMENT WT - 10 LB
3	4	3202501	BEARING, SLEEVE 20 ID X 23.00 X 15 MM
4	2	3236202	SCREW , M10 X1.5 25MM

FZSP SHOULDER PRESS 15 LB INCREMENT WEIGHT ASSEMBLY - 7327801



ITEM NO	QTY	PART NO	DESCRIPTION
1	1	7327901	INCREMENT WEIGHT, 5 LB
2	1	7328201	BRKT, INCREMENT WT - 15 LB
3	4	3202501	BEARING, SLEEVE 20 ID X 23.00 X 15 MM
4	2	3236202	SCREW, M10 X1.5 25MM

FZSP SHOULDER PRESS HEAD PLATE ASSEMBLY - 7350601



ITEM NO	QTY	PART NO	DESCRIPTION
1	1	7326701	HEAD PLATE
2	1	7347801	STEM, 9 PLATE
3	1	3236001	BUSHING, SPRING PIN
4	1	7327201	WLDMT, INCREMENT WT PIN
5	1	6411801	SPRING, POP PIN 3/8 DIA X 2-3/4
6	1	7326101	KNOB, INC WT SELECTOR
7	1	3110008	ROLL PIN, 1/8 X 1-1/4
8	1	7326401	HOUSING, SELECTOR - FRONT
9	1	7326501	HOUSING, SELECTOR - REAR
10	1	7362101	STABILIZER, HEAD PLATE
11	4	7459601	BUSHING, HEAD PLT STABILIZER
12	1	7356501	PLUG, LANYARD ATTACHMENT
13	4	3236202	SCREW, M10 X1.5 25MM
14	1	7338101	ASSY, WT STACK SELECTOR PIN
15	1	7523601	CRIMP, CABLE

FZSP SHOULDER PRESS IMAGE

