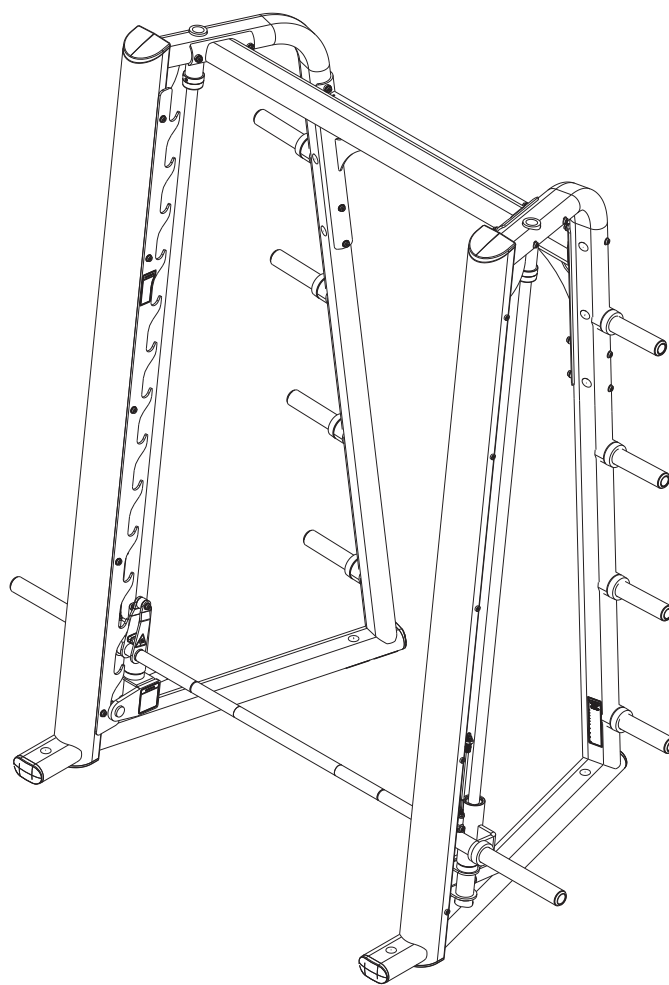


Signature Series Benches & Racks Smith Machine

SSM

Parts List



LifeFitness
WHAT WE LIVE FOR

SSM SIGNATURE SMITH MACHINE CONTENTS

FRAME COLORS.....	3
COMPONENT ASSEMBLY.....	4
COMPONENT ASSEMBLY LEGEND.....	5
HARDWARE BAG.....	6
IMAGE.....	7

SSM SPEC'S

MACHINE WEIGHT:	581 Lbs. (263.5 Kg.)
SIZE:	49" D (124.5cm) x 86.6" W (220cm) x 92.8" H (235.7cm)
LIVE AREA:	10' L (3.0m) x 10' W (3.0m)
MAX TRAINING WEIGHT:	650 Lbs. (309Kg.)
MAX PLATE CAPACITY:	7-45Lb. PLATES PER SIDE + 20Lb. LIFT BAR = 650Lbs. 6-25Kg. PLATES PER SIDE + 9Kg. LIFT BAR = 309Kg.

SSM SIGNATURE SMITH MACHINE FRAME COLORS

Strength Frame Colors



Platinum



White



Black



Ice Blue Metallic



Midnight Metallic



Nickel



Blue



Red



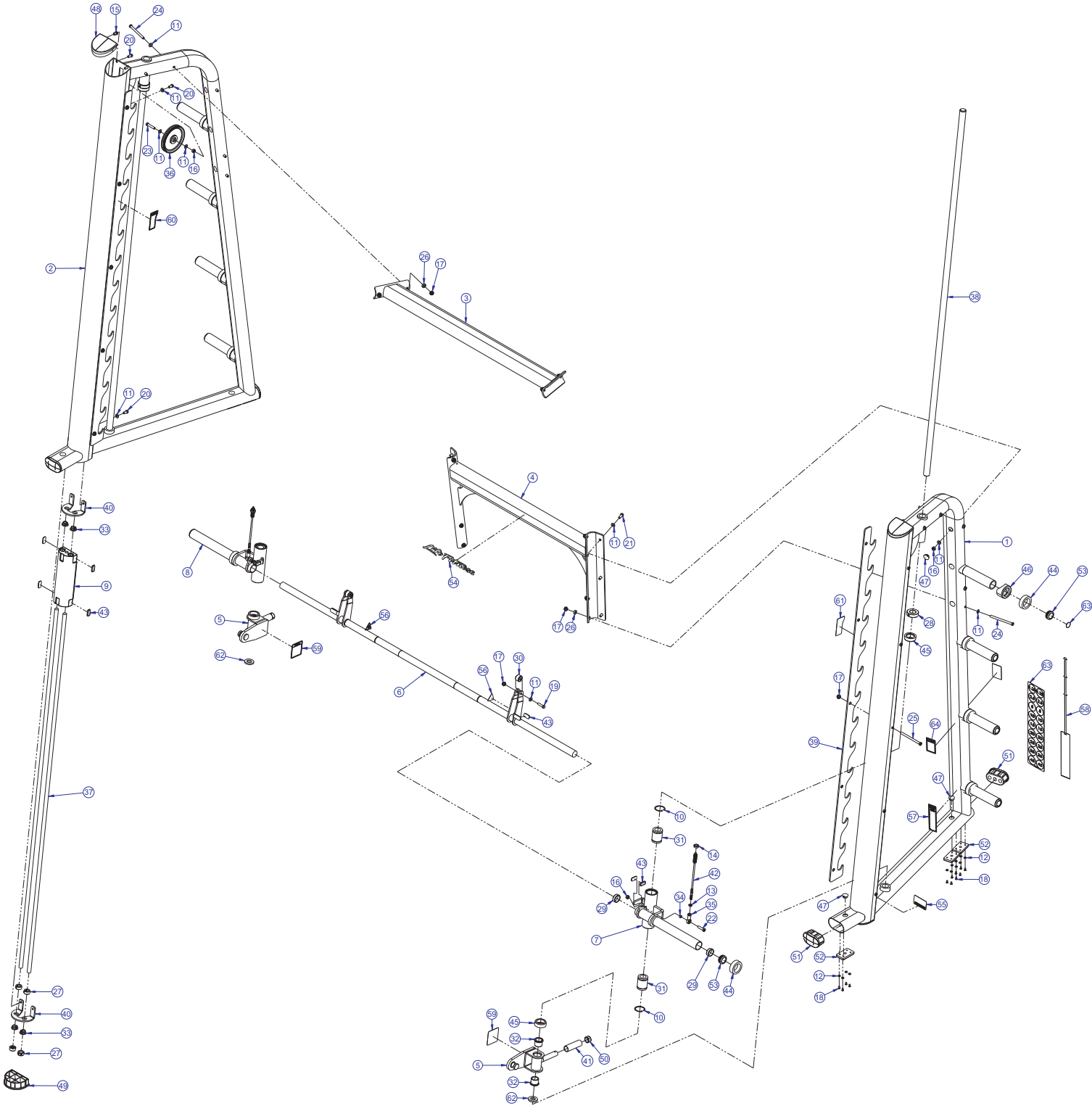
Yellow



Candy Apple Red

Note: Include frame color in pick-slip notes when ordering frame assemblies or weldments.

SSM SIGNATURE SMITH MACHINE COMPONANT ASSEMBLY



LEGEND ON PAGE 4

SSM SIGNATURE SMITH MACHINE COMPONANT ASSEMBLY LEGEND

ITEM NO.	QTY.	PART NO.	DESCRIPTION	FRAME COLOR
1	1	8294200	WLDMT, SSM, FRAME LEFT	ANY
2	1	8294300	WLDMT, SSM, FRAME RIGHT	ANY
3	1	8294700	WLDMT, SSM, BRACE FRONT	ANY
4	1	8294900	WLDMT, SSM, BRACE BACK	ANY
5	2	8295695	WLDMT, SSM, BAR STOP	SD GRAY
6	1	8296395	WLDMT, SSM, BAR	SD GRAY
7	1	9209401	KIT, SSM, CARRIAGE, LT	SD GRAY
8	1	9209501	KIT, SSM, CARRIAGE, RT	SD GRAY
9	2	8328001	ASSY, D-TUBE COUNTER WEIGHT	SD GRAY
10	4	3202602	RING, INCH SERIES INT RETAINING	-
11	36	3236601	WASHER, 3/8 SAE SS	-
12	24	3114407	WASHER, SAE #10	-
13	2	3236901	NUT, M10 X 1.5 JAM	-
14	2	3236902	NUT, M16 X 2 HEX JAM SS	-
15	4	3238601	M10X1.5 BLIND THREADED INSERT (HEX)	-
16	10	3236801	NUT, M10 HEX NYLOCK SS	-
17	22	7335401	NUT, M10 X 1.5 SOCKET HEAD	-
18	24	3239101	SCREW, M5X10 PHL PAN TT ST	-
19	2	3223303	3/8-16 X 1.50 HEX HEAD BOLT	-
20	12	3236201	SCREW, M10 X1.5 20MM	-
21	6	3236202	SCREW, M10 X1.5 25MM	-
22	2	3236205	SCREW, M10 X1.5 40MM	-
23	2	3236207	SCREW, M10 X1.5 50MM	-
24	10	3236220	SCREW, M10 X1.5 130MM	-
25	10	3236221	SCREW, M10 X1.5 140MM	-
26	10	7634701	SPACER, CM/ML .565 X .815	-
27	8	3103301	SHAFT COLLAR, 3/4 I.D. ZINC	-
28	2	3265501	SHAFT COLLAR, 1.25 I.D. ZINC	-
29			USE CARRIAGE KITS - ITEMS 7 & 8	
30	2	3248401	CAM FOLLOWER TORRINGTON YCR-20	-
31	4	8271101	BEARING, LINEAR BALL <MOD-DIAM>1.25	-
32	4	3104907	1.25" ID 1.50" OD BRONZE BUSHING	-
33	8	7337901	BUSHING, GUIDE ROD	-
34	2	7489402	BSHNG, .500 OD X .402 ID	-
35	2	3237901	ROD END, METRIC FEMALE	-
36	2	3239601	PULLEY, 6" OD x 10MM ID	-
37	4	7328620	GUIDE ROD, .75 OD SOLID 85.00	-
38	2	8274402	GUIDE ROD, 1.25 OD SOLID X 86.63	-
39	2	8299101	PLATE, SSM, GUN RACK	-
40	4	8299401	BRKT, SSM, GUIDE ROD	SD GRAY
41	2	3235801	GRIP, 1.25 OD X .125 WALL OPEN END	-
42	2	8328401	CABLE, SSM	-
43	14	7570801	GUARD, PAINT 1.25"x.75"x.25"	-
44	10	7671601	BUMPER, WEIGHT HORN/ROD	-
45	4	7767601	BUMPER, PS INCREMENT WT	-
46	8	8031801	RING, CONTOURED, WEIGHT HORN	-
47	10	3237403	PLUG, 1" HOLE	-
48	2	7326201	CAP, D-TUBE - TOP	ANY
49	2	7326301	CAP, D-TUBE - BOTTOM	-
50	2	7662901	CAP, GRIP 1.25 OD	-
51	4	7800401	CAP, LRG FLOV END	-
52	6	7810801	PAD, RUBBER FOOT	-
53	10	8078001	CAP, FND 1.75 DIA RD 14-20 GA	-
54	1	7348001	LABEL, LIFE FITNESS LOGO	-
55	1	7571301	LABEL, SERIAL NUMBER, BLANK	-
56	2	8039501	LABEL, WARNING, TRIANGLE	-
57	1	82200XX	LABEL, ASTM WARNING SELECT	-
58	1	8343101	TAG, BOLT TO FLOOR	-
59	2	83493XX	LABEL, SSM, BAR STOP	-
60	1	83495XX	LABEL, SSM, BAR RACK RIGHT	-
61	1	83496XX	LABEL, SSM, BAR RACK LEFT	-
62	2	7713801	BUMPER, 1.00 IDX1.88 ODX.25	-
63	1	8351801	LABEL, WEIGHT HORN, SHEET	-
64	2	91411XX	LABEL, WARNING, STRAP TRAINING	-

9209401 KIT, SSM CARRIAGE, LEFT		
Qty	Part No.	Description
1	-	WLDMT, SSM, CARRIAGE LEFT- SHW GRY
2	-	BEARING, NEEDLE 1.375 ID X 1.625 OD .5L
2	7570801	GUARD, PAINT 1.25 X .75 X .25
1	8078001	CAP, END, 1.75OD, W/EMBOSS, 10-0125-011, BNR

9209501 KIT, SSM CARRIAGE, RIGHT		
Qty	Part No.	Description
1	-	WLDMT, SSM, CARRIAGE RIGHT- SHW GRY
2	-	BEARING, NEEDLE 1.375 ID X 1.625 OD .5L
2	7570801	GUARD, PAINT 1.25 X .75 X .25
1	8078001	CAP, END, 1.75OD, W/EMBOSS, 10-0125-011, BNR

SSM SIGNATURE SMITH MACHINE HARDWARE BAG

If hardware bag is missing at install, order part number SSM-HDWR.

SSM-HDWR Contains:

ITEM NO.	QTY.	DESCRIPTION
3202602	4	RET RING, 2- 1/4 DIA X 1/16
3236601	22	WASHER, 3/8 SAE STAINLESS STEEL
7348101	6	WASHER, SPACER
3236901	2	NUT, HEX JAM M10 X 1.5 SS
3236801	8	NUT, NYLOCK M10 X 1.5 SS
7335401	10	NUT, SOCKET HEAD M10 X 1.5 SS
3236204	6	M10 X 1.5 X 35 SHCS, LOW HEAD
3236205	2	M10 X 1.5 X 40 SHCS, LOW HEAD
3236220	10	M10 X 1.5 X 130 SHCS, LOW HEAD
7634701	10	SPACER, CM/MJ, .565 X .815
7489402	2	BSHNG, .500 OD X .402 ID X .235

SSM SIGNATURE SMITH MACHINE IMAGE



BENCH NOT INCLUDED