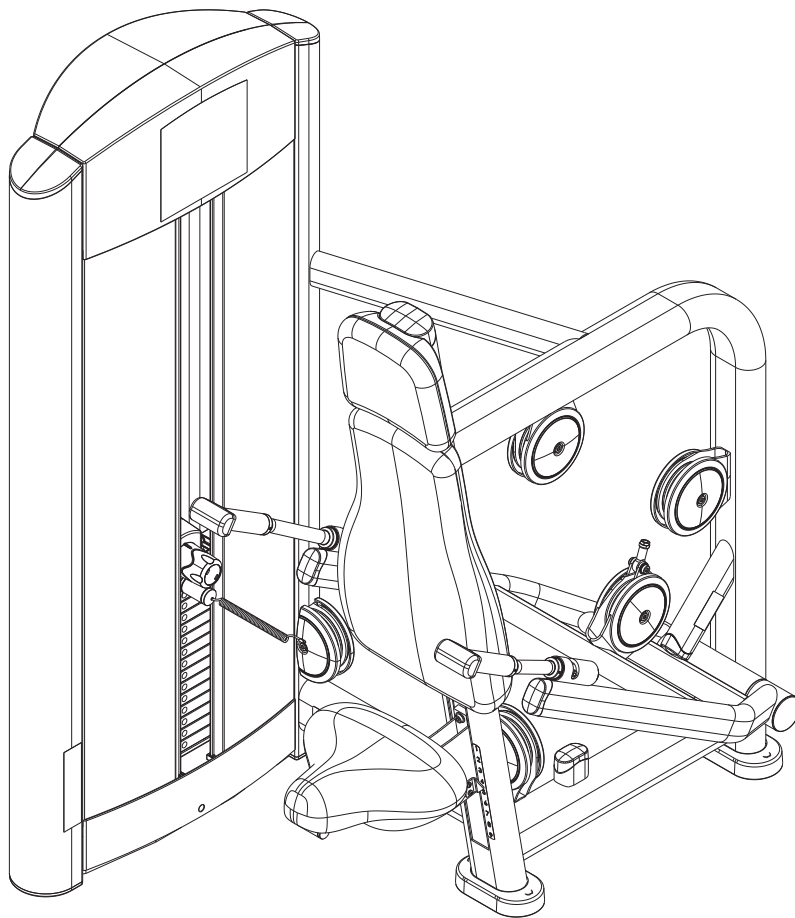


Signature Series Single Station Triceps Press

FZTP

Parts List



LifeFitness
WHAT WE LIVE FOR

FZTP TRICEPS PRESS

CONTENTS

FRAME AND UPHOLSTERY COLORS..... 3

SHROUD OPTIONS..... 4

COMPONENT ASSEMBLY..... 5

COMPONENT ASSEMBLY II..... 6

COMPONENT ASSEMBLY LEGEND..... 7

SEAT CARRIAGE ASSEMBLY..... 8

SEAT CARRIAGE ASSEMBLY LEGEND..... 9

ADJUSTER HANDLE ASSEMBLY..... 10

MID-14 TOWER ASSEMBLY..... 11

STANDARD PLASTIC TOWER ASSEMBLY..... 12

OPTIONAL WRAPPED SHROUDS..... 13

MID-14 WEIGHT STACK ASSEMBLY..... 14

5 LB. INCREMENT WEIGHT ASSEMBLY..... 15

10 LB. INCREMENT WEIGHT ASSEMBLY..... 16

15 LB. INCREMENT WEIGHT ASSEMBLY..... 17

OPTIONAL MID-14 WEIGHT STACK ASSEMBLY..... 18

OPTIONAL 2.5 LB. INCREMENT WEIGHT ASSEMBLY..... 19

OPTIONAL 5 LB. INCREMENT WEIGHT ASSEMBLY..... 20

OPTIONAL 7.5 LB. INCREMENT WEIGHT ASSEMBLY..... 21

HEAD PLATE ASSEMBLY..... 22

HEAD PLATE ASSEMBLY LEGEND..... 23

IMAGE..... 24

FZTP TRICEPS PRESS FRAME AND UPHOLSTERY COLORS

Strength Frame Colors



Platinum



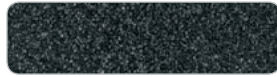
White



Black



Ice Blue Metallic



Midnight Metallic



Nickel



Blue



Red



Yellow



Candy Apple Red

Note: Include frame color in pick-slip notes when ordering frame assemblies or weldments.

Strength Upholstery Colors



American Beauty Red 07



Azure 20



Black 01



Cranberry 04



Graphite 22



Hunter Green 13



Regimental Blue 14



Royal Blue 02



Slate 03



Wheat 21



Burgundy 29



Candy Apple Red 28



Chestnut 34



Concord 16



Crocus 19



Dove Gray 37



Emerald 27



Grotto 25



Gun Metal 39



Imperial Blue 33



Jade 26



Navy 32



Northwoods Green 05



Paprika 35



Plum 30



Putty 38



Space Blue 06



Suede 08



Terra Cotta 36



Turquoise 17

Note: Replace XX with above color suffix when ordering pads (ie. 74123XX = 7412301 Black)
Use 99 suffix for custom upholstery.

FZTP TRICEPS PRESS SHROUD OPTIONS

STANDARD SHROUD NO WRAP

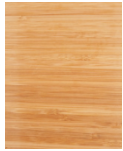


TRANSLUCENT



OPTIONAL StackWraps™ SHROUD + WRAP

BAMBOO



BRONZE



ROSEWOOD



SKY



STAINLESS STEEL



STEM



CO-BRANDED StackWraps™ SHROUD + WRAP

SHROUD + WRAP

(refer to co-branded parts list)



PLANET FITNESS

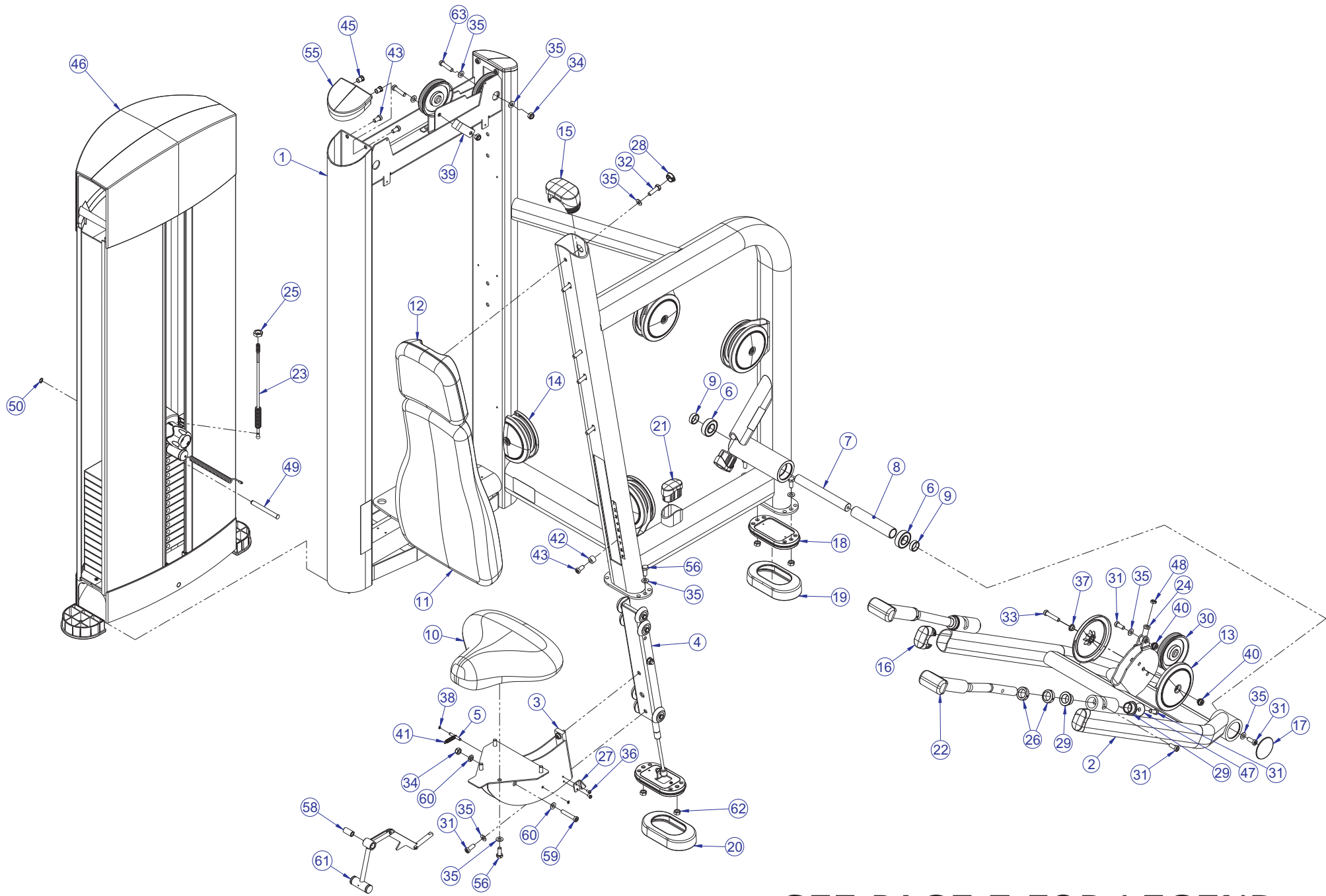


BLINK FITNESS



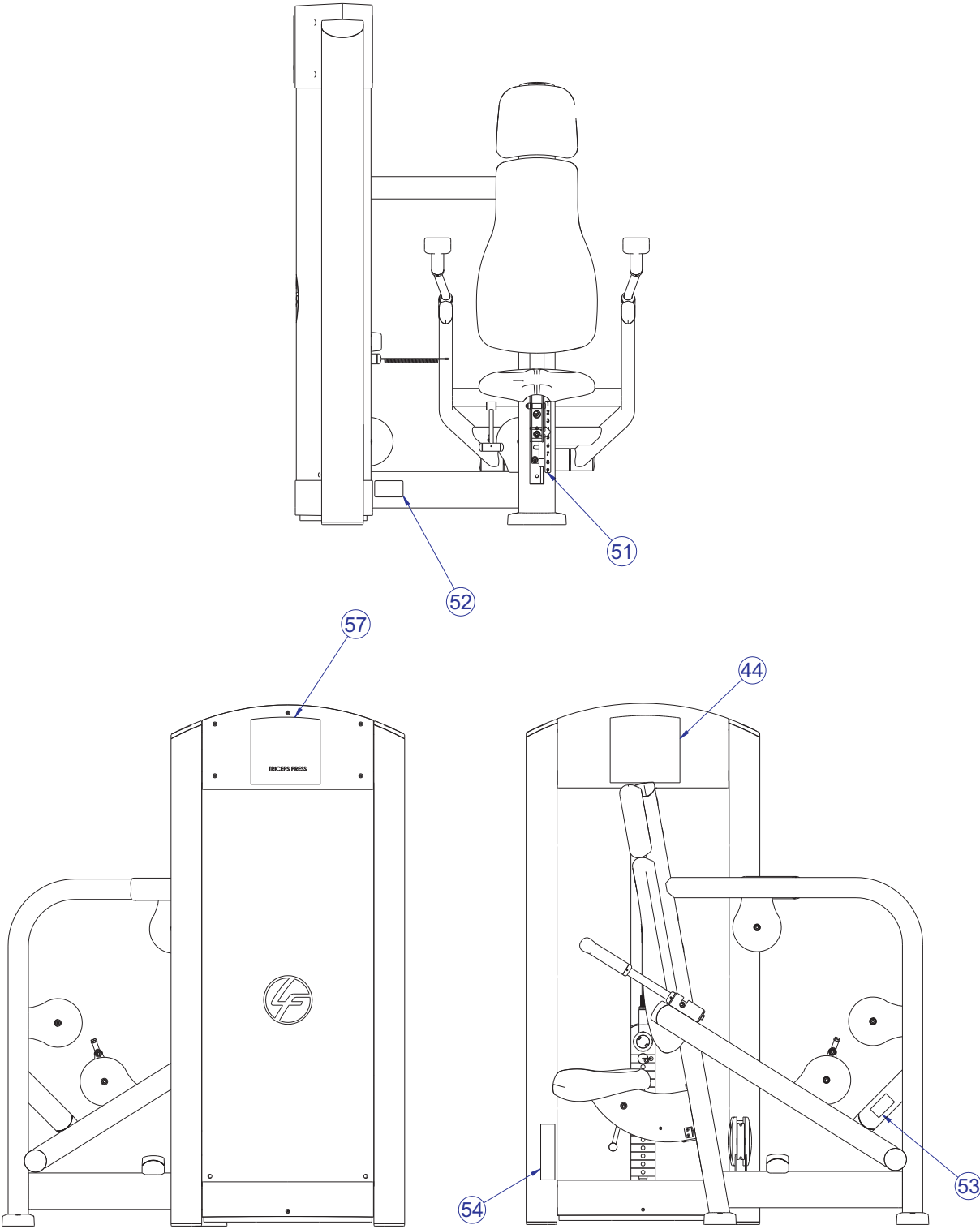
RETRO FITNESS

FZTP TRICEPS PRESS COMPONENT ASSEMBLY



SEE PAGE 7 FOR LEGEND

FZTP TRICEPS PRESS COMPONENT ASSEMBLY II



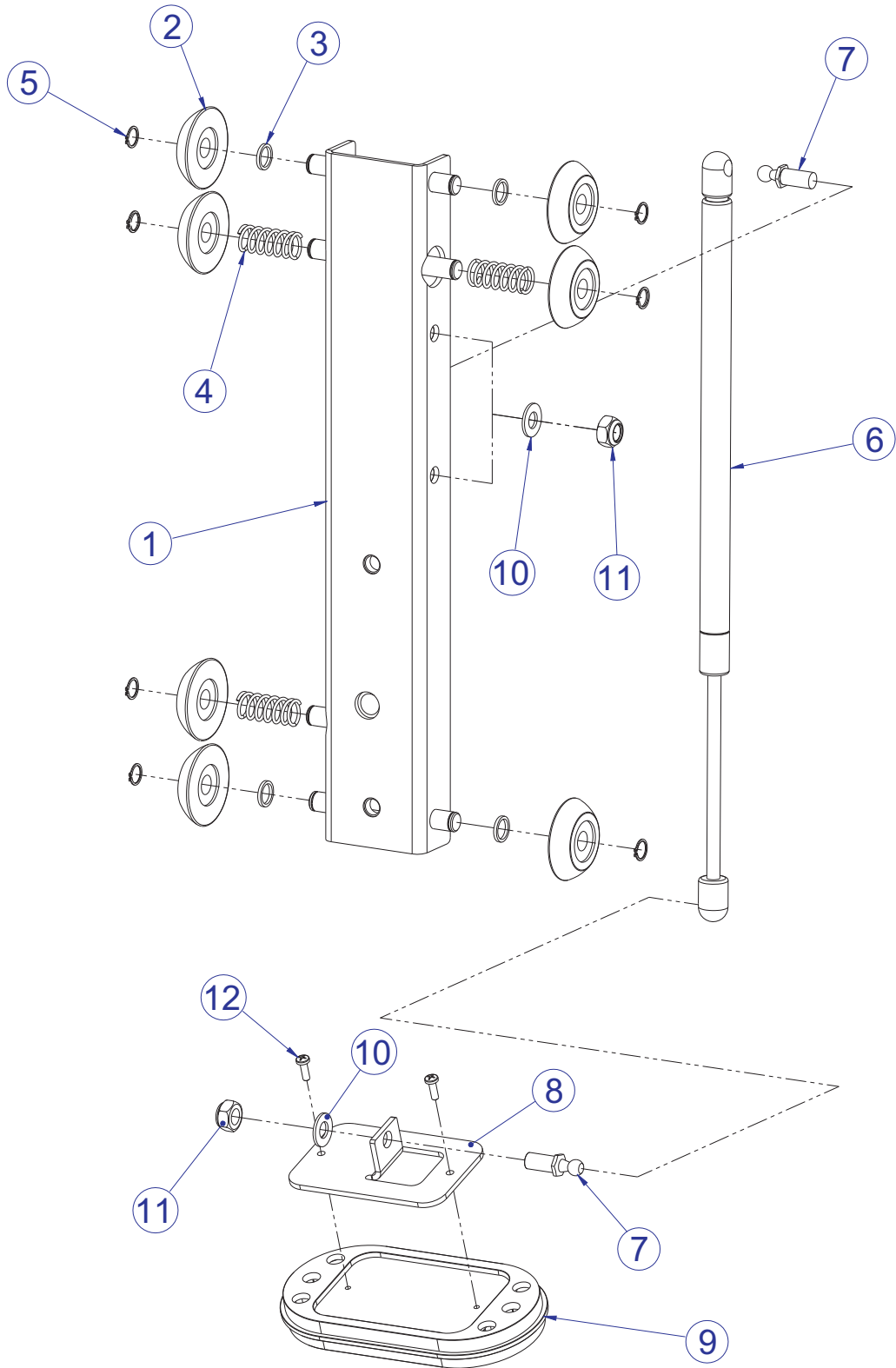
SEE PAGE 7 FOR LEGEND

FZTP TRICEPS PRESS COMPONENT ASSEMBLY LEGEND

ITEM NO.	QTY.	PART NO.	DESCRIPTION
1	1		WLDMT, FZTP FRAME
2	1	7344601	WLDMT, FZTP PRESS ARM
3	1	7360301	WLDMT, SEAT SUPPORT
4	1	7911101	ASSY, SEAT CARRIAGE
5	1	7407502	PIN, LINK
6	2	3235601	BEARING, 6205 BALL
7	1	7316504	SHAFT, 25MM X 8.250
8	1	7330005	SPACER, INTERNAL X 6.265
9	2	7330001	SPACER, INTERNAL X .403
10	1	72971XX	PAD, SEAT SADDLE
11	1	74741XX	PAD, LARGE BACK
12	1	74743XX	PAD, HEAD REST
13	8	8104501	COVER, PULLEY-BOLTED NOTCHED
14	2	8094101	COVER, PULLEY-BOLTED PARTIAL
15	1	7333901	CAP, LARGE FLOV- END
16	2	7333801	CAP, SMALL FLOV- END
17	2	7308701	CAP, BEARING HOUSING
18	1	7334001	FOOT, 2.50 X 4.49 FLOV
19	1	7340201	COVER, FOOT - STRAIGHT
20	1	7419701	COVER, FOOT 10 DEG
21	2	7317901	STOP, BUMPER
22	2	7412301	ASSY, TRICEPS HANDLE
23	1	7423605	CABLE, FZTP
24	1	3237901	ROD END, METRIC FEMALE
25	1	3236902	NUT, M16 X 2 HEX JAM SS
26	4	7662802	RING, GRIP 1.50 OD
27	1	7425295	BRKT, SEAT INDICATOR
28	5	3237403	PLUG, 1" HOLE
29	4	3104903	1.00" ID 1.25" OD BRONZ BUSHING
30	7	3237801	PULLEY, 4.5" OD
31	9	3236202	SCREW, M10 X1.5 25MM
32	5	3251204	SCREW, M10 X1.5 X 35MM HEX ST

ITEM NO.	QTY.	PART NO.	DESCRIPTION
33	5	3236207	SCREW, M10 X1.5 50MM
34	3	3236801	NUT, M10 HEX NYLOCK SS
35	21	3236601	WASHER, 3/8 SAE SS
36	2	3239101	SCREW, M5X10 PHL PAN TT ST
37	5	7630101	RETAINER, CM/MJ, PULLEY
38	2	3232401	RING, RETAINING, EXTERNAL
39	1	6757701	CLIP, CABLE 2-7/8 X 1 X 1
40	6	7335401	NUT, M10 X 1.5 SOCKET HEAD
41	1	3239201	SPRING, EXT, .375 X .049 X 2.00
42	1	7385203	SPACER, .406 X .750 X .500
43	5	3236201	SCREW, M10 X1.5 20MM
44	1	7507301	LABEL, FZTP PLACARD
45	4	3238601	M10X1.5 THREADED INSERT (HEX)
46	1	7420401	ASSY, MID TOWER-14
47	2	3236701	WASHER, 3/8" ID X 1.5" OD SS
48	1	3236901	NUT, M10 X 1.5 JAM
49	1	7564501	PIN, FZ/PS, WEIGHT PLATE
50	1	3243901	RING, BRE M11, ST, PP
51	1	7524501	LABEL, 1-9 STRAIGHT
52	1	7571301	LABEL, SERIAL NUMBER
53	1	7422003	LABEL, MOVING PARTS
54	1	7422004	LABEL, 2" ASTM WARN
55	2	7326201	CAP, D-TUBE - TOP
56	8	3251202	SCREW, M10 X1.5 X 25MM HEX ST
57	1	7507401	LABEL, FZTP LOGO
58	1	7776501	SHAFT, .625 X .406 X 1.200
59	1	3236208	SCREW, M10 X1.5 55MM
60	2	7776401	SPACER, FLANGE .406 X .495 X .81
61	1	7778001	ASSY, FZ ADJUSTER HANDLE -GRAY
		7778003	ASSY, FZ ADJUSTER HANDLE -YELLOW
62	4	3254703	NUT, M10 X 1.5 HEX ZINC
63	2	3236206	SCREW, M10 X1.5 45MM

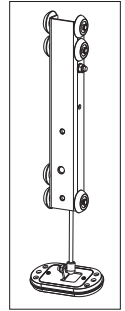
FZTP TRICEPS PRESS SEAT CARRIAGE ASSEMBLY - 7911101



SEE PAGE 9 FOR LEGEND

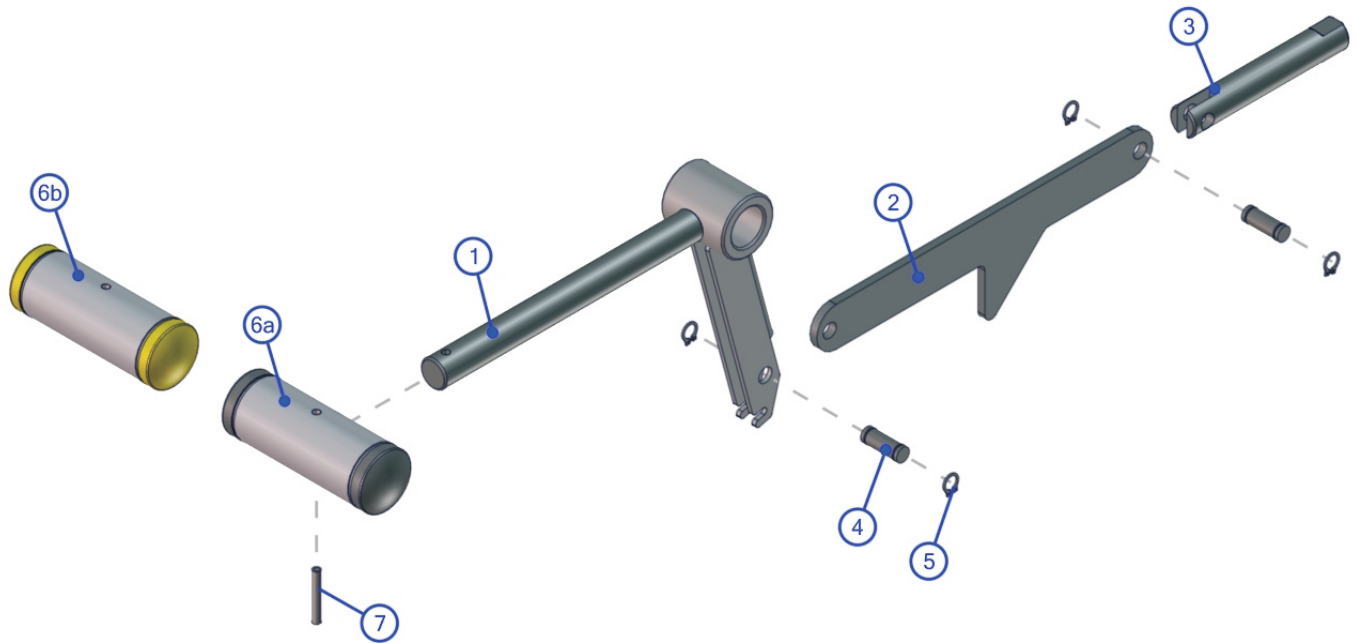
FZTP TRICEPS PRESS

SEAT CARRIAGE ASSEMBLY LEGEND



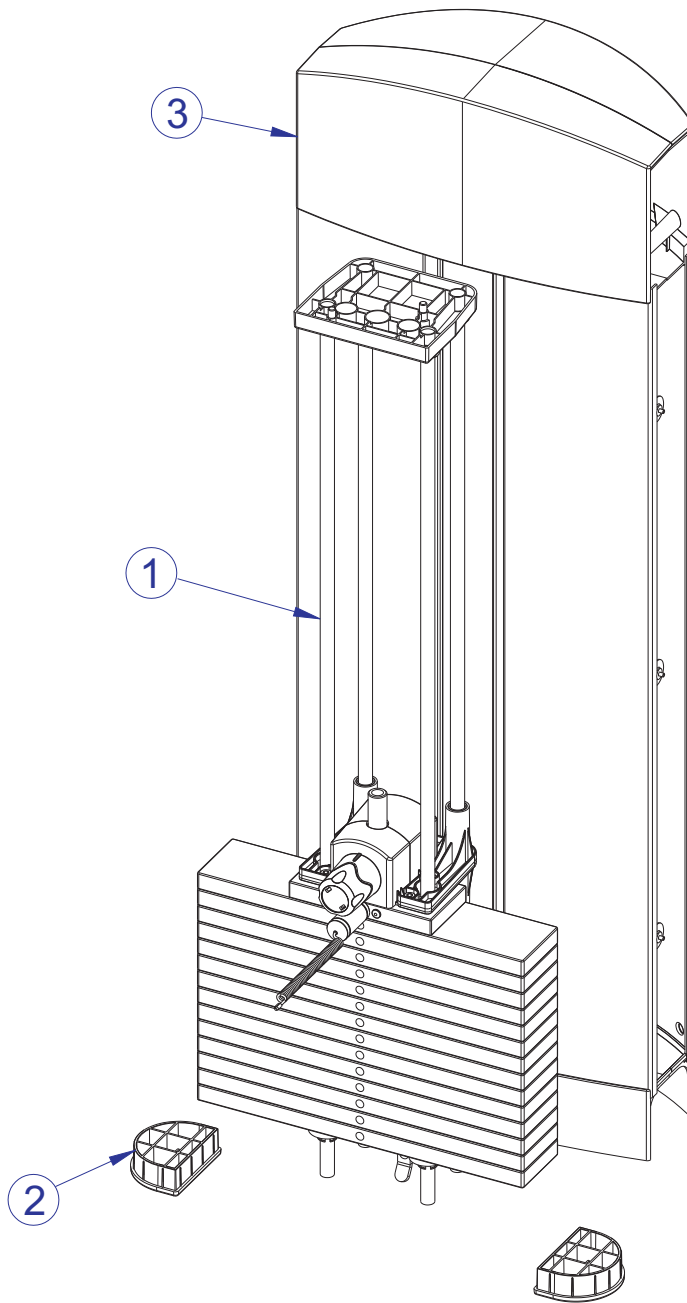
ITEM NO.	QTY.	PART NO.	DESCRIPTION
1	1	7911295	WLDMT, SEAT CARRIAGE SHDW GRAY
2	7	7889701	ROLLER, SEAT CARRIAGE
3	4	7911901	SPACER, .625 DIA X 16 GA.
4	3	7912001	SPRING, SEAT CARRIAGE
5	7	3232408	RING, BRE .443, 5100-46, ST,PP,B
6	1	3235703	SPRING, GAS 80N
7	2	7414301	STUD, M10 BALL END M10 X 1.5
8	1	7339401	BRACKET, GAS SPRING
9	1	7334001	FOOT, 2.50 X 4.49 FLOV
10	2	3236601	WASHER, 3/8 SAE SS
11	2	3236801	NUT, M10 HEX NYLOCK SS
12	2	3241201	M4 PHL PAN F ST ZN

FZTP TRICEPS PRESS ADJUSTER HANDLE ASSEMBLY - 77780XX



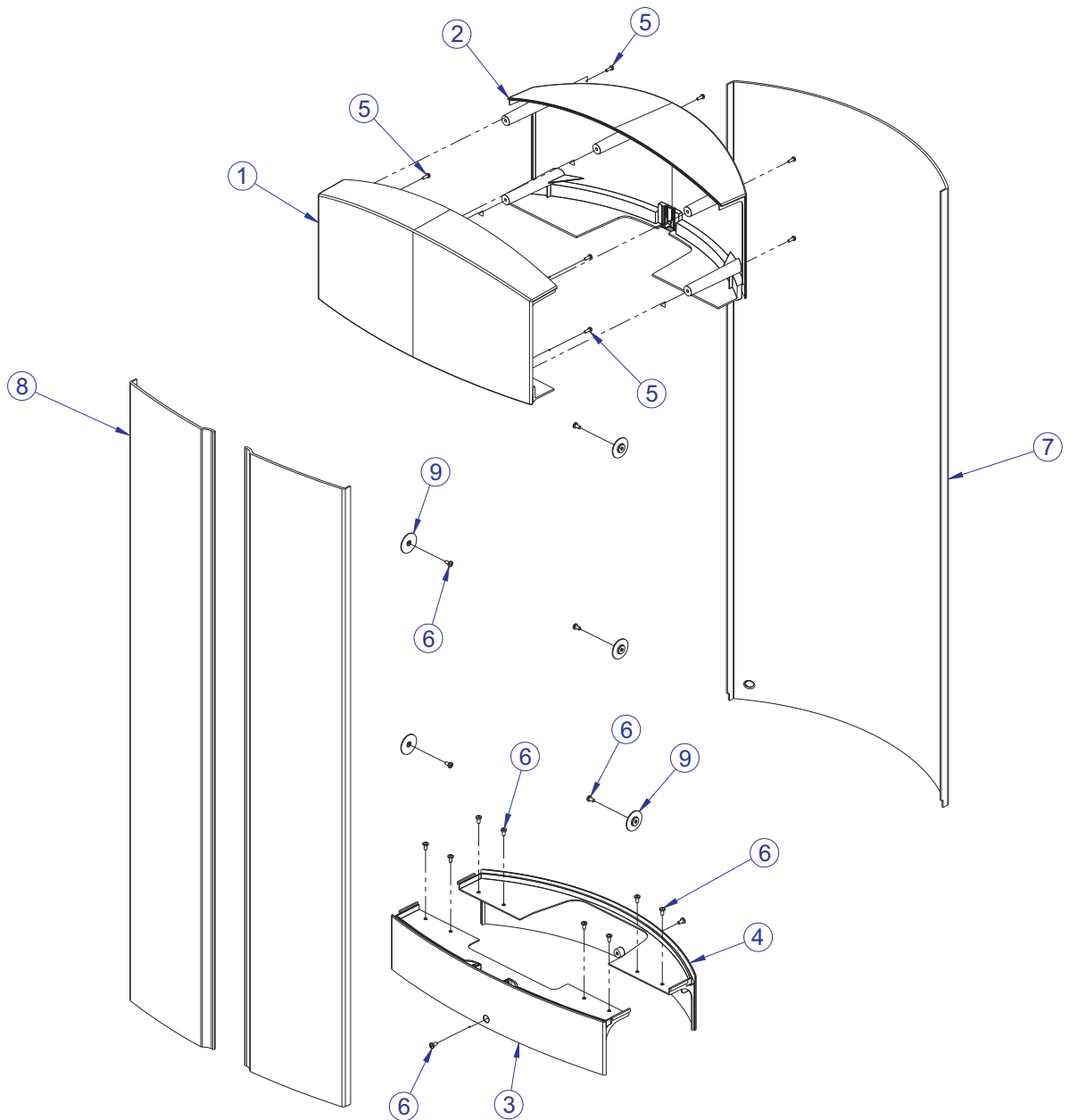
ITEM NO.	QTY.	PART NO.	DESCRIPTION
1	1	7777595	WLDMT, FZ SEAT ADJ HANDLE SHADOW GRAY
2	1	7331801	LINK, ADJUSTER
3	1	7331601	PIN, INDEX
4	2	7407501	PIN, LINK
5	4	3232401	RING, RETAINING, EXTERNAL
6	a	7287901	HANDLE, ADJUSTER - SILVER
	b	7287903	HANDLE, ADJUSTER - YELLOW
7	1	3110010	ROLL PIN, 1/8 X 7/8

FZTP TRICEPS PRESS MID-14 TOWER ASSEMBLY - 7420401



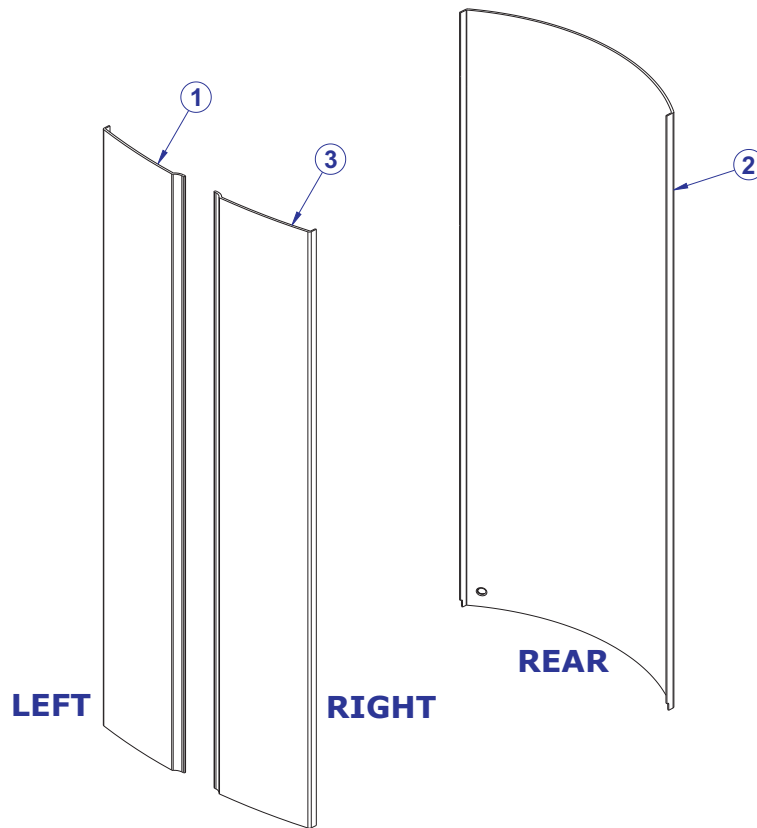
ITEM NO.	QTY.	PART NO.	DESCRIPTION
1	1	7420101	ASSY, WEIGHT STACK MID-14
2	2	7326301	CAP, D-TUBE-BTM
3	1	7419801	ASSY, TOWER PLASTICS-MID


FZTP TRICEPS PRESS STANDARD PLASTIC TOWER ASSEMBLY - 7419801




ITEM NO.	QTY.	PART NO.	DESCRIPTION
1	1	7318601	COVER, TOWER- TOP FRONT
2	1	7318701	COVER, TOWER- TOP REAR
3	1	7318801	COVER, TOWER- BOTTOM FRONT
4	1	7318901	COVER, TOWER- BOTTOM REAR
5	9	3236501	M4 X 0.7 PHL PAN MS ST ZN
6	16	3239101	SCREW, M5X10 PHL PAN TT ST
7	1	7765701	SHROUD, TOWER- REAR SHORT
8	2	7765601	SHROUD, TOWER- FRT SHORT RH
9	6	7583501	RETAINER, FZ SHROUD


FZTP TRICEPS PRESS OPTIONAL WRAPPED SHROUDS





BAMBOO		ITEM NO.	QTY.	PART NO.	DESCRIPTION
		1	1	8954201	SHROUD, FZ, FNT, SRT, LT -BAMBOO
		2	1	8949101	SHROUD, FZ, REAR, SRT -BAMBOO
		3	1	8949001	SHROUD, FZ, FNT, SRT, RT -BAMBOO

SKY		ITEM NO.	QTY.	PART NO.	DESCRIPTION
		1	1	8954301	SHROUD, FZ, FNT, SRT, LT -SKY
		2	1	8949301	SHROUD, FZ, REAR, SRT -SKY
		3	1	8949201	SHROUD, FZ, FNT, SRT, RT -SKY

BRONZE		ITEM NO.	QTY.	PART NO.	DESCRIPTION
		1	1	8954401	SHROUD, FZ, FNT, LT - BRONZE
		2	1	8949501	SHROUD, FZ, REAR -BRONZE
		3	1	8949401	SHROUD, FZ, FNT, SRT, RT -BRONZE

STEM		ITEM NO.	QTY.	PART NO.	DESCRIPTION
		1	1	8954501	SHROUD, FZ, FNT, SRT, LT -STEM
		2	1	8949701	SHROUD, FZ, REAR, SRT -STEM
		3	1	8949601	SHROUD, FZ, FNT, SRT, RT -STEM

ROSEWOOD		ITEM NO.	QTY.	PART NO.	DESCRIPTION
		1	1	8954601	SHROUD, FZ, FNT, SRT, LT -ROSEWOOD
		2	1	8949901	SHROUD, FZ, REAR, SRT -ROSEWOOD
		3	1	8949801	SHROUD, FZ, FNT, SRT, RT -ROSEWOOD

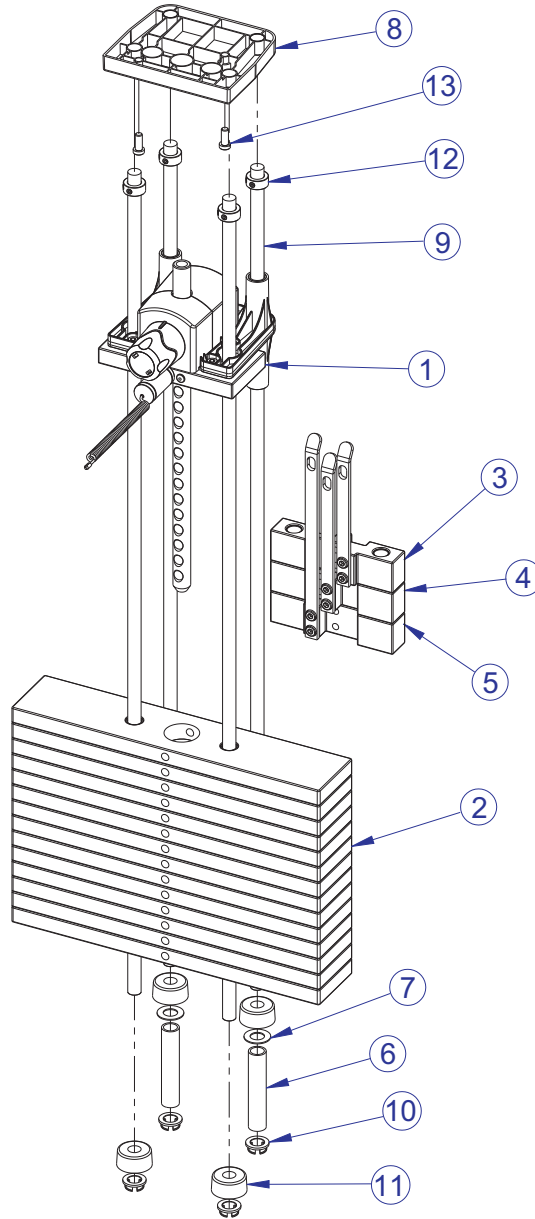
STAINLESS STEEL		ITEM NO.	QTY.	PART NO.	DESCRIPTION
		1	1	8954701	SHROUD, FZ, FNT, SRT, LT -STAINLESS STEEL
		2	1	8950101	SHROUD, FZ, REAR, SRT -STAINLESS STEEL
		3	1	8950001	SHROUD, FZ, FNT, SRT, RT-STAINLESS STEEL

FZTP TRICEPS PRESS

MID-14 WEIGHT STACK ASSEMBLY - 7420101

WEIGHT STACK LABELS

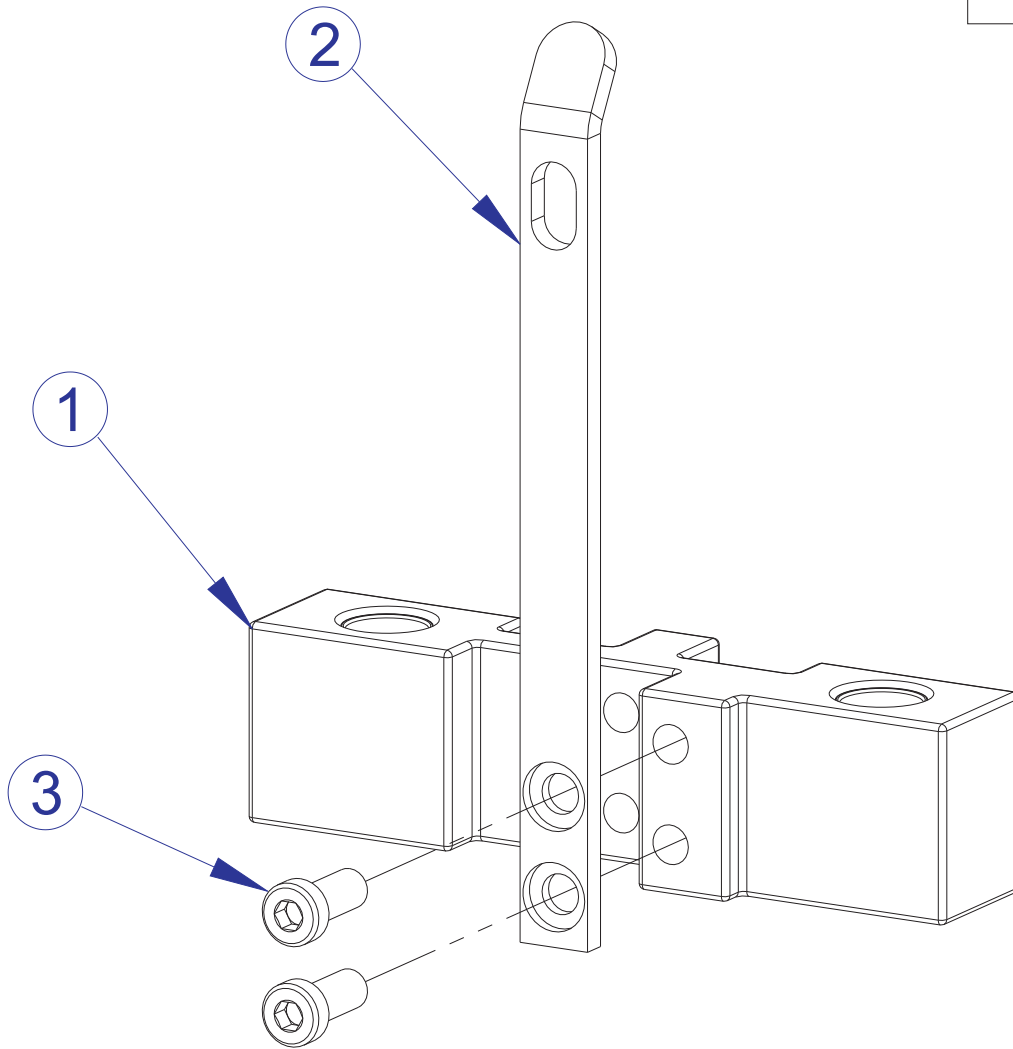
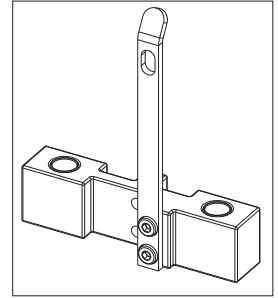
7927201	LABEL, 390 LB STACK
7927301	LABEL, 195 KG STACK



ITEM NO.	QTY.	PART NO.	DESCRIPTION
1	1	7350701	ASSY, HEAD PLATE (14)
2	14	7328401	WEIGHT PLATE, 20 LB
3	1	7327601	ASSY, INCREMENT WT-5LB
4	1	7327701	ASSY, INCREMENT WT-10LB
5	1	7327801	ASSY, INCREMENT WT-15LB
6	2	7328701	SPACER, INC WT STACK 14 PLT
7	2	7351001	SPACER, INC WT STACK
8	1	7621101	RETAINER, GUIDE ROD-TOP
9	4	7328602	GUIDE ROD, .75 OD SOLID X 53.50
10	4	7337901	BUSHING, GUIDE ROD
11	4	7352101	CUSHION, WEIGHT STACK
12	4	3103301	SHAFT COLLAR, 3/4" ID ZINC
13	2	3236202	M10 X 1.5 X 25 HXS SOC CS SS

FZTP TRICEPS PRESS

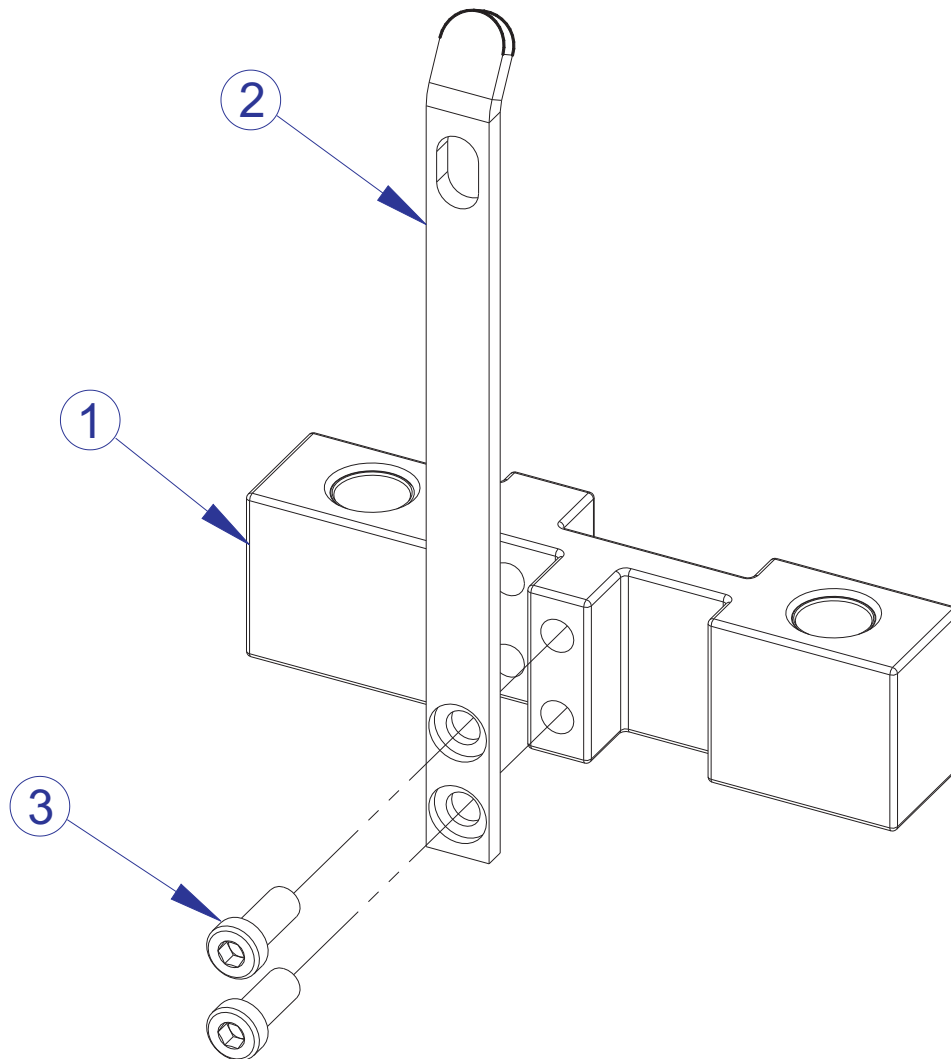
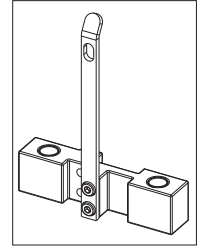
5 LB. INCREMENT WEIGHT ASSEMBLY - 7327601



ITEM NO.	QTY.	PART NO.	DESCRIPTION
1	1	7968501	ASSY, FZ INC WEIGHT 5LB
2	1	7328001	BRKT, INCREMENT WT - 5 LB
3	2	3236202	SCREW, M10 X1.5 25MM

FZTP TRICEPS PRESS

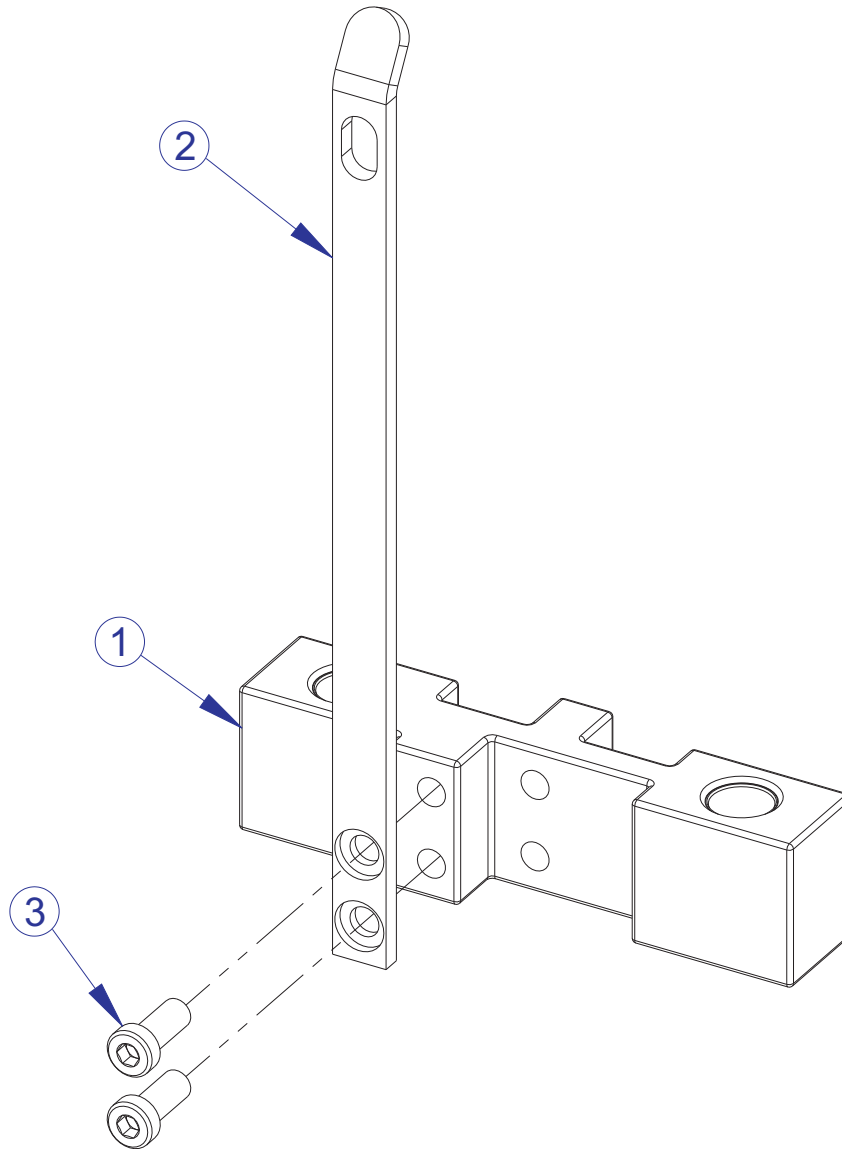
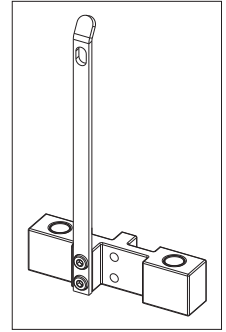
10 LB. INCREMENT WEIGHT ASSEMBLY - 7327701



ITEM NO.	QTY.	PART NO.	DESCRIPTION
1	1	7968501	ASSY, FZ INC WEIGHT 5LB
2	1	7328101	BRKT, INCREMENT WT - 10 LB
3	2	3236202	SCREW, M10 X1.5 25MM

FZTP TRICEPS PRESS

15 LB. INCREMENT WEIGHT ASSEMBLY - 7327801

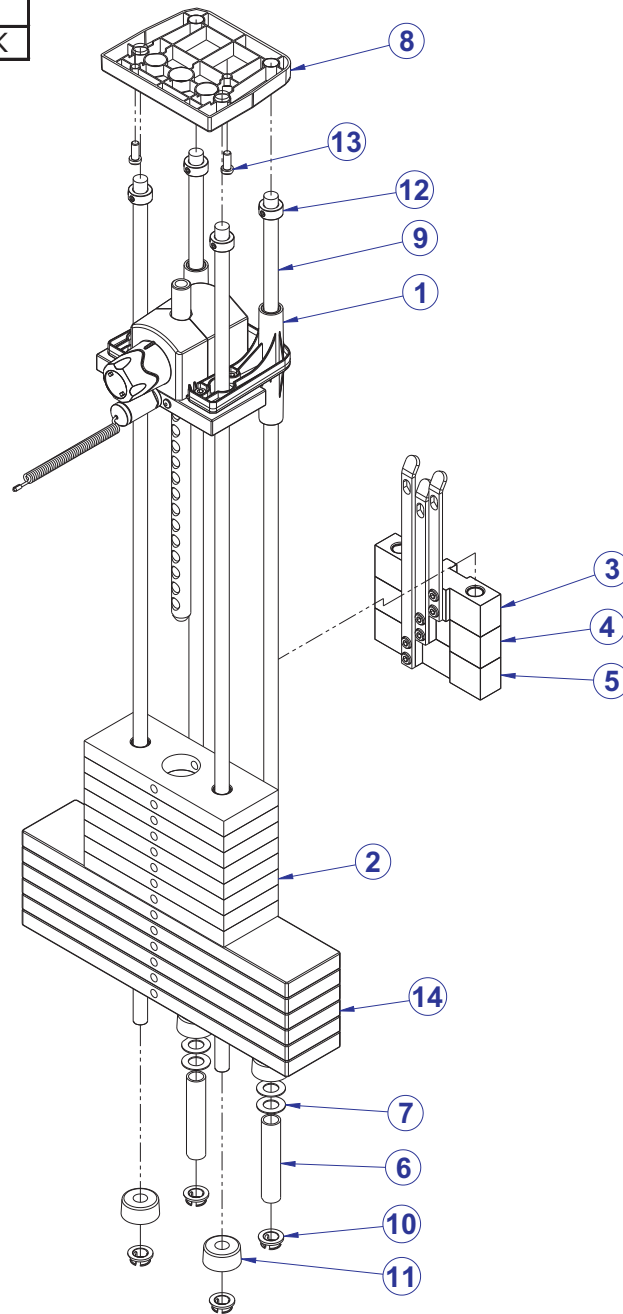


ITEM NO.	QTY.	PART NO.	DESCRIPTION
1	1	7968501	ASSY, FZ INC WEIGHT 5LB
2	1	7328201	BRKT, INCREMENT WT - 15 LB
3	2	3236202	SCREW, M10 X1.5 25MM

FZTP TRICEPS PRESS

OPTIONAL LIGHT MID-14 WEIGHT STACK ASSY. - 8866201

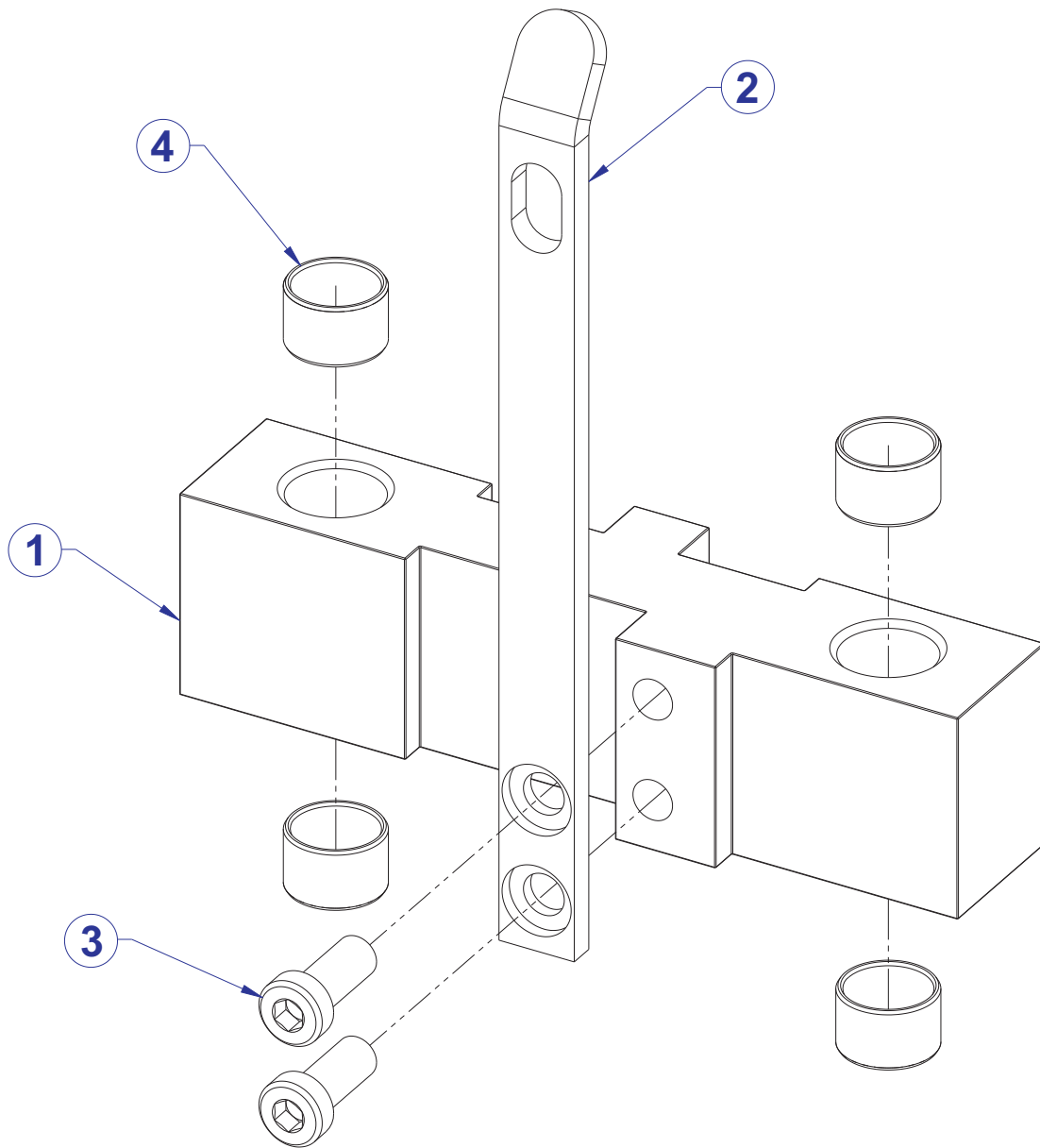
WEIGHT STACK LABELS	
8867101	LABEL, 190 LB STACK



ITEM NO.	QTY.	PART NO.	DESCRIPTION
1	1	7350701	ASSY, HEAD PLATE (14)
2	8	7353701	ASSY, 10 LB PLATE
3	1	8861301	ASSY, FZ INC WEIGHT - 2.5 LB
4	1	8861401	ASSY, FZ INC WEIGHT - 5 LB
5	1	8861501	ASSY, FZ INC WEIGHT - 7.5 LB
6	2	7328701	SPACER, INC WT STACK - 14 PLT
7	4	7351001	SPACER, INC WT STACK
8	1	7621101	RETAINER, GUIDE ROD - TOP
9	4	7328602	GUIDE ROD, .75 OD SOLID 53.50
10	4	7337901	BUSHING, GUIDE ROD
11	4	7352101	CUSHION, WEIGHT STACK
12	4	3103301	SHAFT COLLAR, 3/4 I.D. ZINC
13	2	3236202	SCREW, M10 X1.5 25MM
14	6	7328401	WEIGHT PLATE, 20 LB

FZTP TRICEPS PRESS

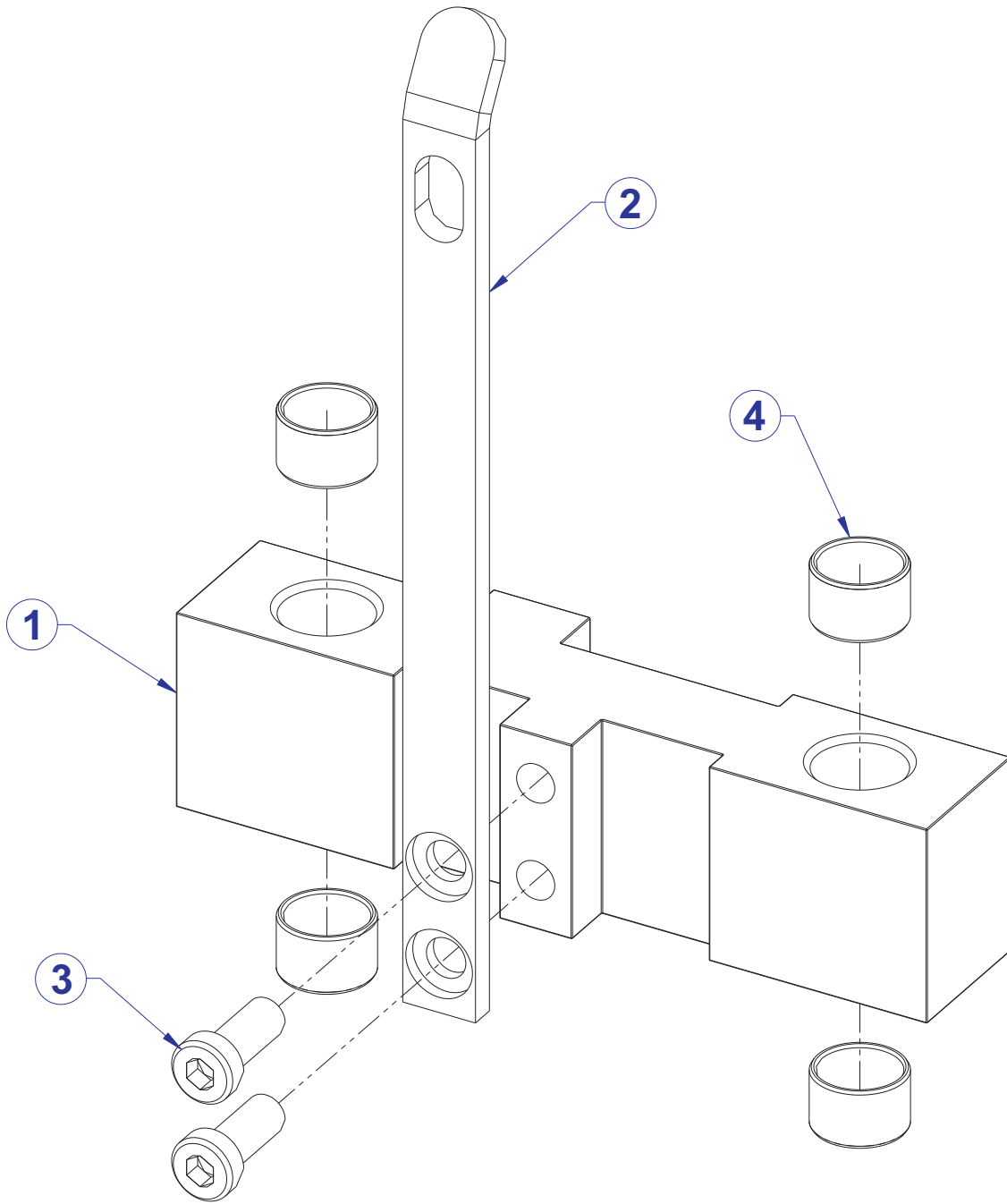
OPTIONAL 2.5 LB. INCREMENT WEIGHT ASSY. - 8861301



ITEM NO.	QTY.	PART NO.	DESCRIPTION
1	1	8861295	INCREMENT WEIGHT, FZ OPTIONAL - SG
2	1	7328001	BRKT, INCREMENT WT - 5 LB
3	2	3236202	SCREW, M10 X1.5 25MM
4	4	3202501	BEARING, SLEEVE 20 ID X 23.00 X 15 MM

FZTP TRICEPS PRESS

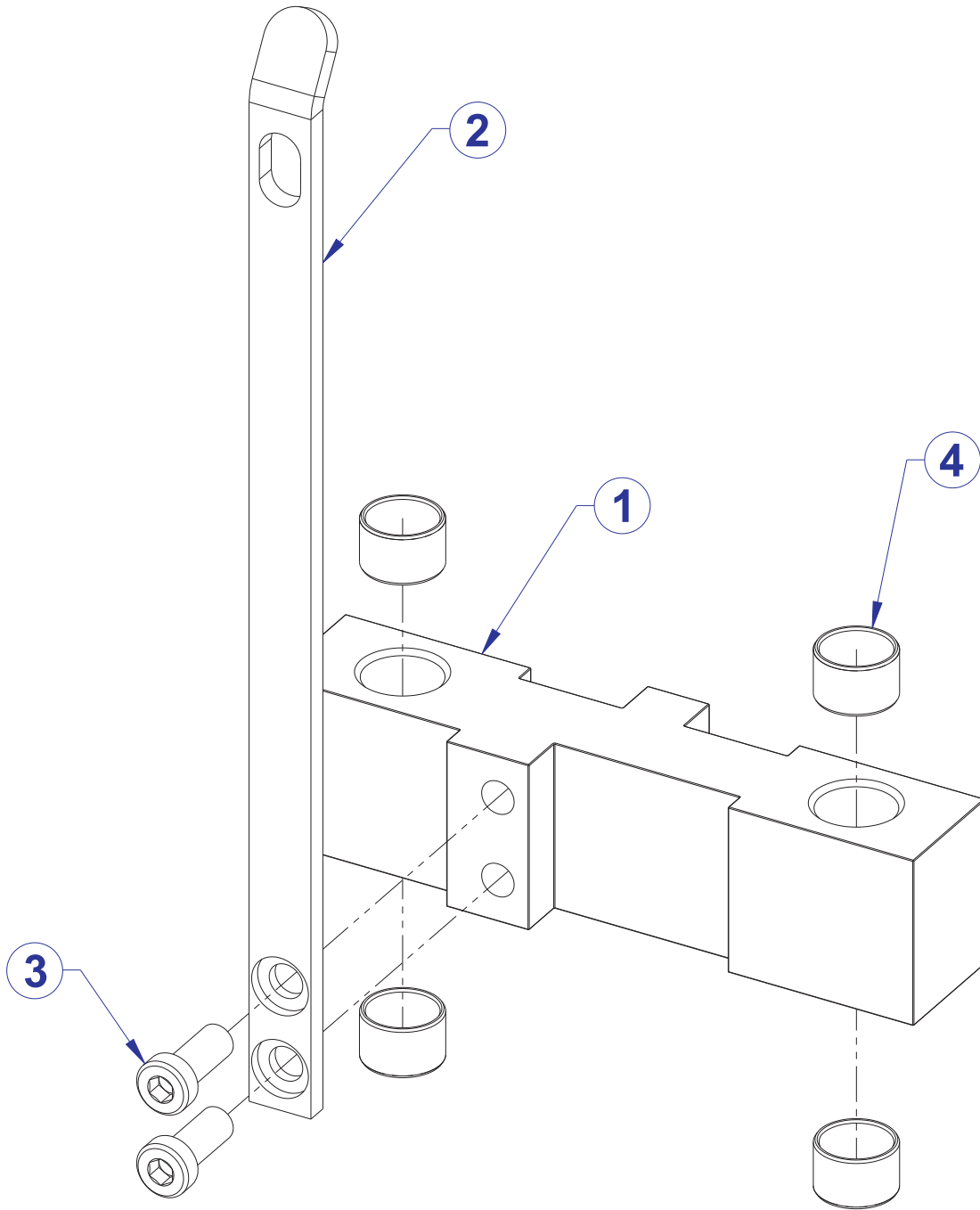
OPTIONAL 5 LB. INCREMENT WEIGHT ASSY. - 8861401



ITEM NO.	QTY.	PART NO.	DESCRIPTION
1	1	8861295	INCREMENT WEIGHT, FZ OPTIONAL - SG
2	1	7328101	BRKT, INCREMENT WT - 10 LB
3	2	3236202	SCREW, M10 X1.5 25MM
4	4	3202501	BEARING, SLEEVE 20 ID X 23.00 X 15 MM

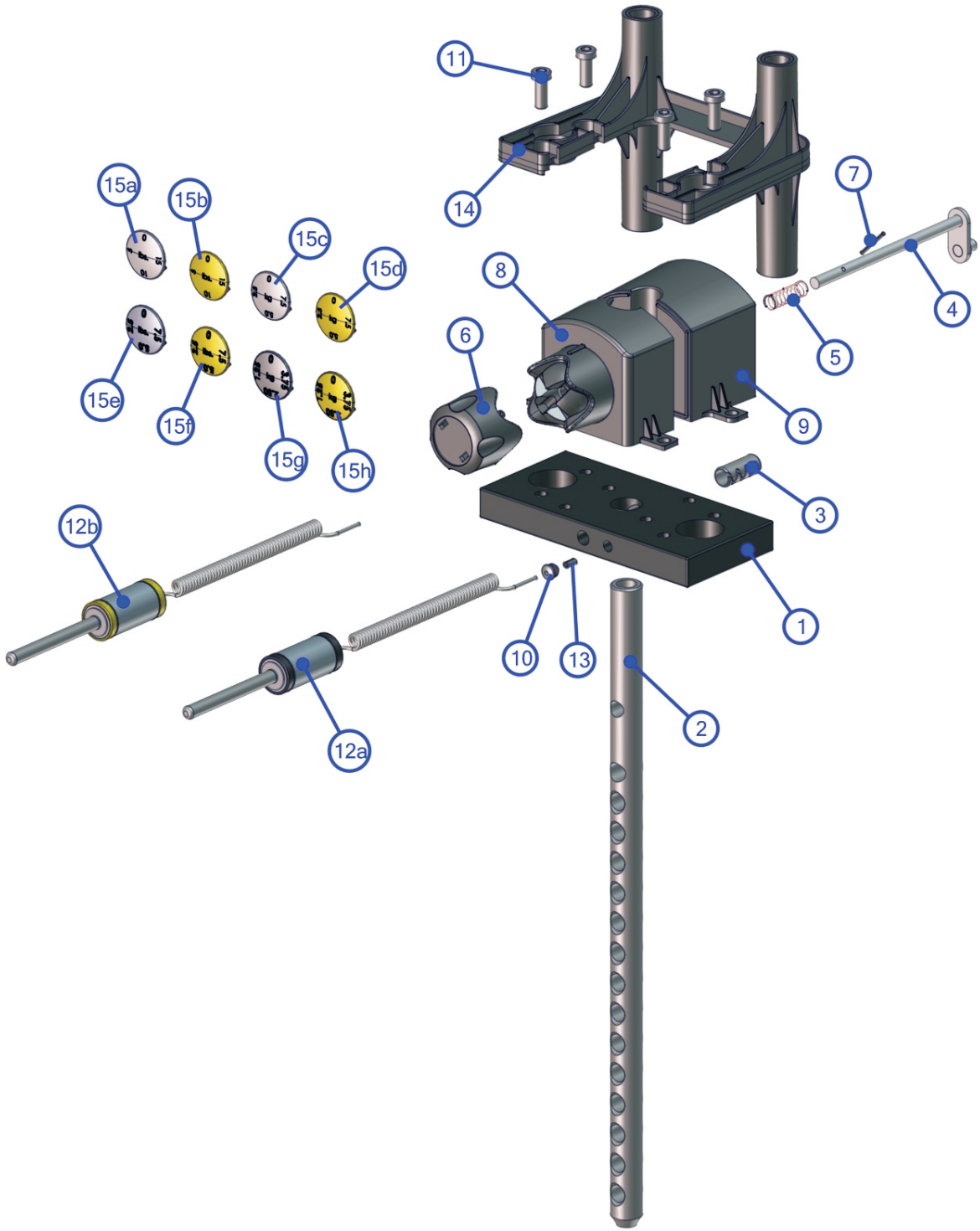
FZTP TRICEPS PRESS

OPTIONAL 7.5 LB. INCREMENT WEIGHT ASSY. - 8861501



ITEM NO.	QTY.	PART NO.	DESCRIPTION
1	1	8861295	INCREMENT WEIGHT, FZ OPTIONAL - SG
2	1	7328201	BRKT, INCREMENT WT - 15 LB
3	2	3236202	SCREW, M10 X1.5 25MM
4	4	3202501	BEARING, SLEEVE 20 ID X 23.00 X 15 MM

FZTP TRICEPS PRESS HEAD PLATE ASSEMBLY - 7350701



SEE PAGE 23 FOR LEGEND

FZTP TRICEPS PRESS HEAD PLATE ASSEMBLY LEGEND

ITEM NO.	QTY.	PART NO.	DESCRIPTION	WHERE USED	
1	1	7326701	HEAD PLATE	-	
2	1	7328901	STEM, 14 PLATE	-	
3	1	3236001	BUSHING, SPRING PIN	-	
4	1	7327201	WLDMT, INCREMENT WT PIN	-	
5	1	8024501	SPRING, 1/2 OD X 1-1/2	-	
6	1	7326101	KNOB, INC WT SELECTOR	-	
7*	1	3110008	ROLL PIN, 1/8 X 1-1/4	-	
8*	1	7326401	HOUSING, SELECTOR - FRONT	-	
9*	1	7326501	HOUSING, SELECTOR - REAR	-	
10	1	7356501	PLUG, LANYARD ATTACHMENT	-	
11	4	3236202	SCREW, M10 X1.5 25MM	-	
12**	a	1	7338101	ASSY, WT STACK SELECTOR PIN-SILVER	-
	b		7338103	ASSY, WT STACK SELECTOR PIN-YELLOW	-
13	1	7523601	CRIMP, CABLE	-	
14	1	8867301	ASSY, FZ, STABILIZER WITH BUSHINGS	-	
15**	a	1	7398601	CAP, SELECTOR KNOB - 5 LBS, SILVER	REG. STACK / LBS.
	b		7398603	CAP, FZ SELECTOR KNOB - 5 LBS, YELLOW	REG. STACK / LBS.
	c		7398701	CAP, FZ SELECTOR KNOB - 2.5 KG, SILVER	REG. STACK / KG.
	d		7398703	CAP, FZ SELECTOR KNOB - 2.5 KG, YELLOW	REG. STACK / KG.
	e		8865801	CAP, FZ SELECTOR KNOB - 2.5 LBS, SILVER	LIGHT STACK / LBS.
	f		8865803	CAP, FZ SELECTOR KNOB - 2.5 LBS, YELLOW	LIGHT STACK / LBS.
	g		8946501	CAP, FZ SELECTOR KNOB - 1.25 KG, SILVER	LIGHT STACK / KG.
	h		8946503	CAP, FZ SELECTOR KNOB - 1.25 KG, YELLOW	LIGHT STACK / KG.

* Kit exists for component set. See bulletin FZ02012701N

** Language specific/Weight stack item. Order separately-not part of assembly.

FZTP TRICEPS PRESS IMAGE

