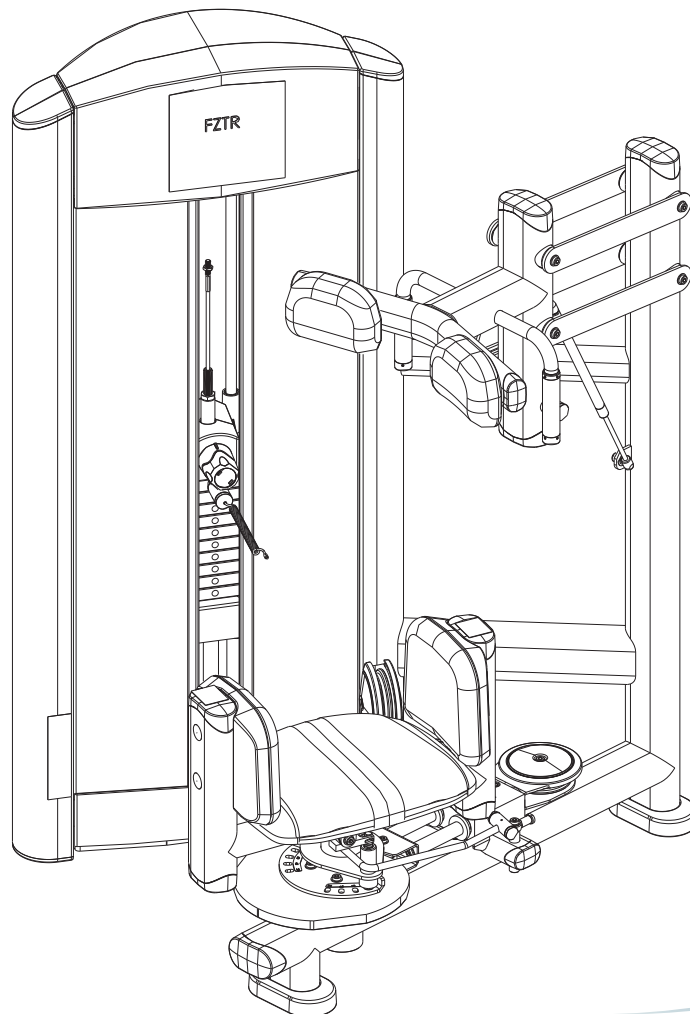


Signature Series Single Station Torso Rotation

FZTR

Parts List



LifeFitness
WHAT WE LIVE FOR

FZTR TORSO ROTATION CONTENTS

FRAME AND UPHOLSTERY COLORS..... 3

SHROUD OPTIONS..... 4

COMPONENT ASSEMBLY..... 5

COMPONENT ASSEMBLY II..... 6

COMPONENT ASSEMBLY LEGEND..... 7

MID-9 TOWER ASSEMBLY..... 8

STANDARD PLASTIC TOWER ASSEMBLY..... 9

OPTIONAL WRAPPED SHROUDS..... 10

MID-9 WEIGHT STACK ASSEMBLY..... 11

5 LB. INCREMENT WEIGHT ASSEMBLY..... 12

10 LB. INCREMENT WEIGHT ASSEMBLY..... 13

15 LB. INCREMENT WEIGHT ASSEMBLY..... 14

OPTIONAL MID-9 SHORT LIGHT WEIGHT STACK ASSEMBLY..... 15

OPTIONAL 2.5 LB. INCREMENT WEIGHT ASSEMBLY..... 16

OPTIONAL 5 LB. INCREMENT WEIGHT ASSEMBLY..... 17

OPTIONAL 7.5 LB. INCREMENT WEIGHT ASSEMBLY..... 18

HEAD PLATE ASSEMBLY..... 19

HEAD PLATE ASSEMBLY LEGEND..... 20

IMAGE..... 21

FZTR TORSO ROTATION FRAME AND UPHOLSTERY COLORS

Strength Frame Colors



Platinum



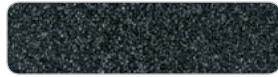
White



Black



Ice Blue Metallic



Midnight Metallic



Nickel



Blue



Red



Yellow



Candy Apple Red

Note: Include frame color in pick-slip notes when ordering frame assemblies or weldments.

Strength Upholstery Colors



American Beauty Red 07



Azure 20



Black 01



Cranberry 04



Graphite 22



Hunter Green 13



Regimental Blue 14



Royal Blue 02



Slate 03



Wheat 21



Burgundy 29



Candy Apple Red 28



Chestnut 34



Concord 16



Crocus 19



Dove Gray 37



Emerald 27



Grotto 25



Gun Metal 39



Imperial Blue 33



Jade 26



Navy 32



Northwoods Green 05



Paprika 35



Plum 30



Putty 38



Space Blue 06



Suede 08



Terra Cotta 36



Turquoise 17

Note: Replace XX with above color suffix when ordering pads (ie. 74123XX = 7412301 Black)
Use 99 suffix for custom upholstery.

FZTR TORSO ROTATION SHROUD OPTIONS

STANDARD SHROUD NO WRAP



TRANSLUCENT

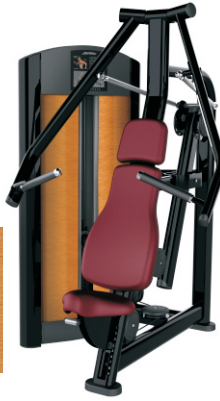


OPTIONAL StackWraps™ SHROUD + WRAP

BAMBOO



BRONZE



ROSEWOOD



SKY



STAINLESS STEEL



STEM



CO-BRANDED StackWraps™

SHROUD + WRAP

(refer to co-branded parts list)



PLANET FITNESS

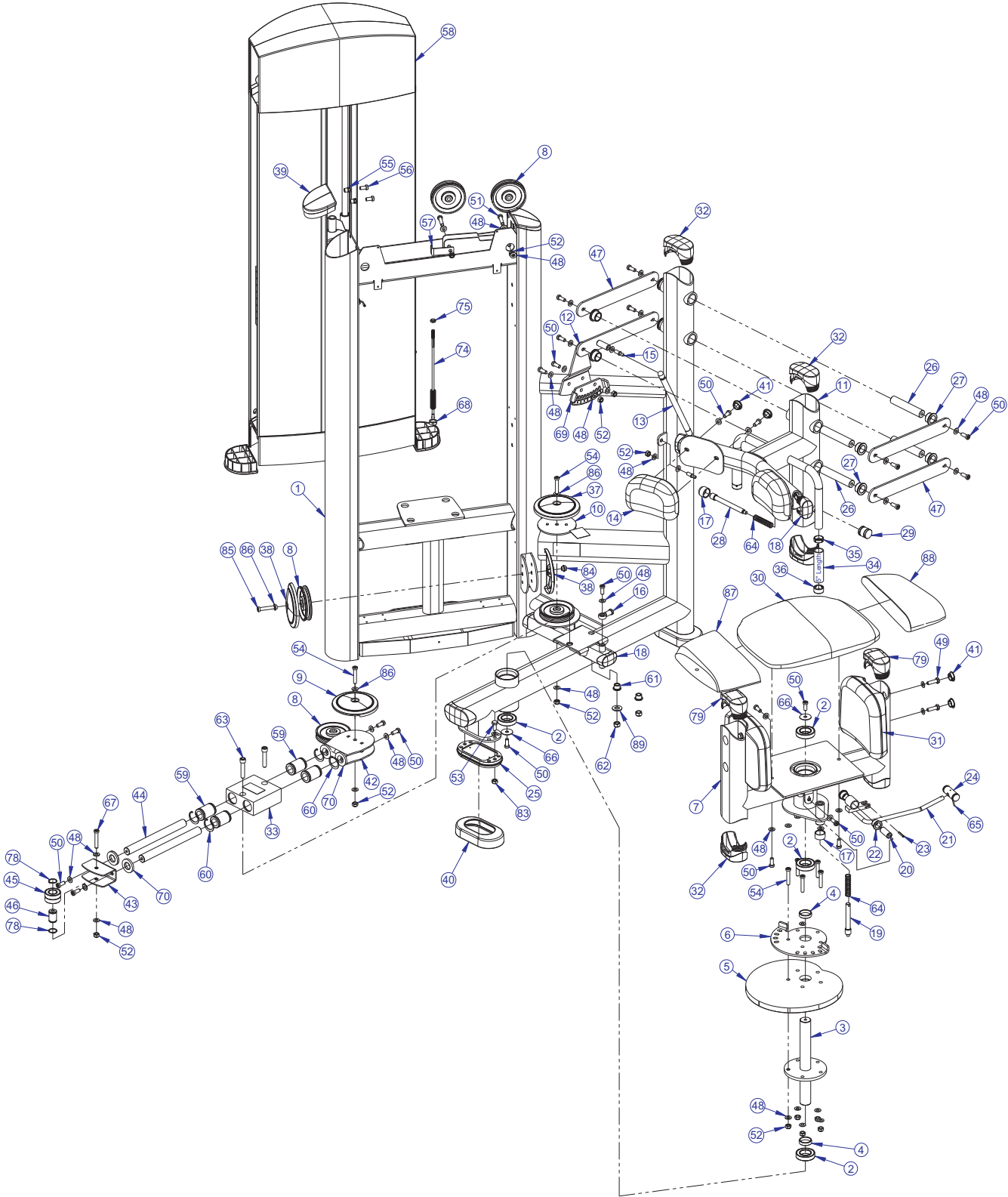


BLINK FITNESS



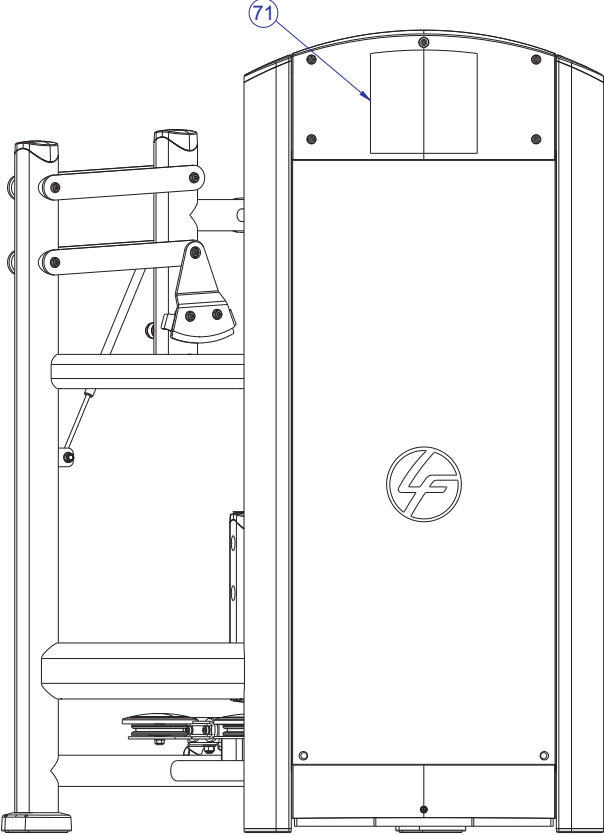
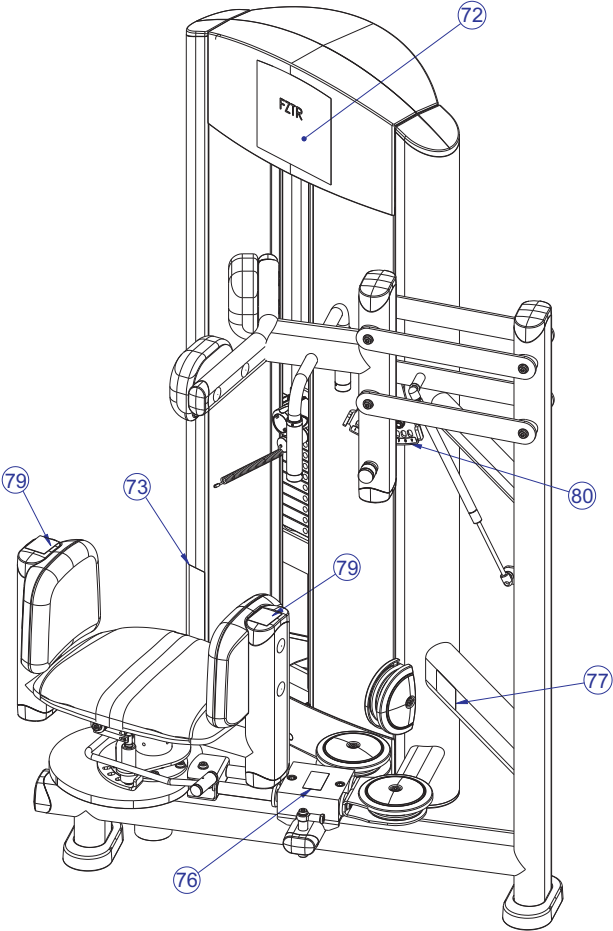
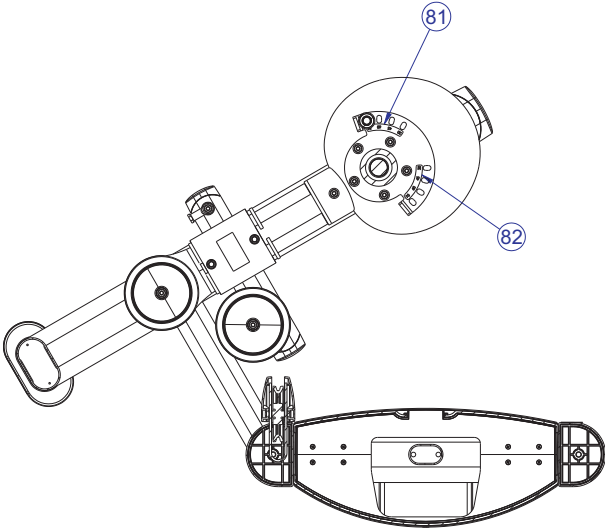
RETRO FITNESS

FZTR TORSO ROTATION COMPONENT ASSEMBLY



SEE PAGE 7 FOR LEGEND

FZTR TORSO ROTATION COMPONENT ASSEMBLY II



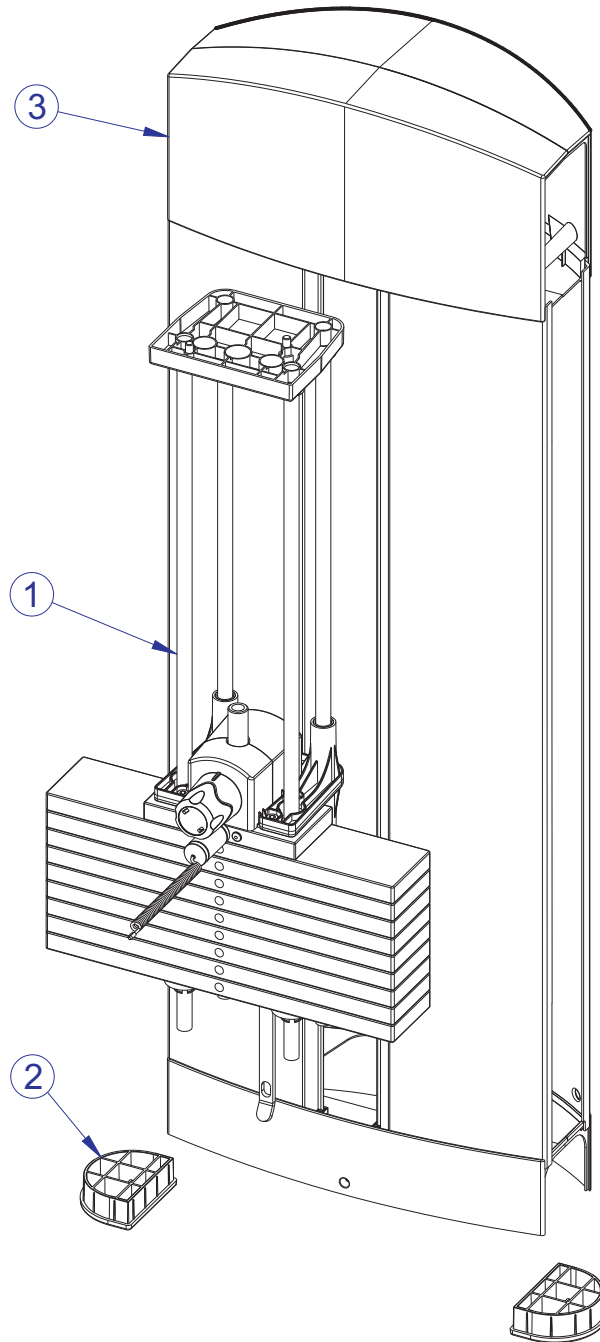
SEE PAGE 7 FOR LEGEND

FZTR TORSO ROTATION COMPONENT ASSEMBLY LEGEND

ITEM NO.	QTY.	PART NO.	DESCRIPTION
1	1		WLDMT, FZTR FRAME
2	4	3243201	BEARING, 6007 BALL
3	1	7685501	WLDMT, FZTR PIVOT SHAFT
4	2	7511501	SPACER, FZ/PS INTERNAL .403
5	1	7775201	CAM, FZTR-MOLDED
6	1	7763501	PLATE, CAM INDEX
7	1	7685301	WLDMT, FZTR KNEE SUPPORT
8	5	3237801	PULLEY, 4.5" OD
9	1	8104501	COVER, PULLEY-BOLTED NOTCHED
10	1	7318201	PLATE, PULLEY
11	1	7700501	WLDMT, FZTR SHOULDER SUPPORT
12	1	7685401	WLDMT, FZTR, 4-BAR INDEX
13	1	3235701	SPRING, GAS 150N
14	2	73933XX	PAD, ARM REST
15	2	7414301	STUD, M10 BALL END M10 X 1.5
16	1	3237901	ROD END, METRIC FEMALE
17	2	7690201	BUMPER, SLEEVE - 1.125 INCH DIA
18	4	7333801	CAP, SMALL FLOV- END
19	1	7600102	PIN, PULL X 4.88
20	1	7324802	SHAFT, TAPPED 0.75 DIA X 1.800
21	1	7700495	WLDMT, FZTR ADJ. HANDLE
22	2	3104901	.75" ID 1.00" OD BRONZE BUSHING
23	1	3110011	ROLL PIN, 3/16 X 1-1/4
24	1	7287901	HANDLE, ADJUSTER, SILVER
		7287903	HANDLE, ADJUSTER, YELLOW
25	2	7334001	FOOT, 2.50 X 4.49 FLOV
26	4	7324902	SHAFT, TAPPED 1 DIA X 5.330
27	8	3104903	1.00" ID 1.25" OD BRONZ BUSHING
28	1	7425102	PIN, PULL X 6.75
		7424801	KNOB, POP PIN, SILVER
29	1	7424803	KNOB, POP PIN, YELLOW
30	1	80315XX	PAD, LARGE CHAIR, FZTR
31	2	74743XX	PAD, HEAD REST
32	6	7333901	CAP, LARGE FLOV- END
33	1	7690001	BLOCK, LINEAR SLIDE
34	2	3235801	GRIP, SHADOW GRAY, 5.00"
35	2	7662801	RING, GRIP 1.25 OD
36	2	7662901	CAP, GRIP 1.25 OD
37	1	8102901	COVER, PULLEY-BOLTED FULL
38	2	8094101	COVER, PULLEY-BOLTED PARTIAL
39	2	7326201	CAP, D-TUBE - TOP
40	2	7340201	COVER, FOOT - STRAIGHT
41	10	3237403	PLUG, 1" HOLE
42	1	7687001	BRKT, LINEAR SLIDE PULLEY
43	1	7686801	BRKT, CAM FOLLOWER
44	2	7702401	GUIDE ROD, FZTR LINEAR

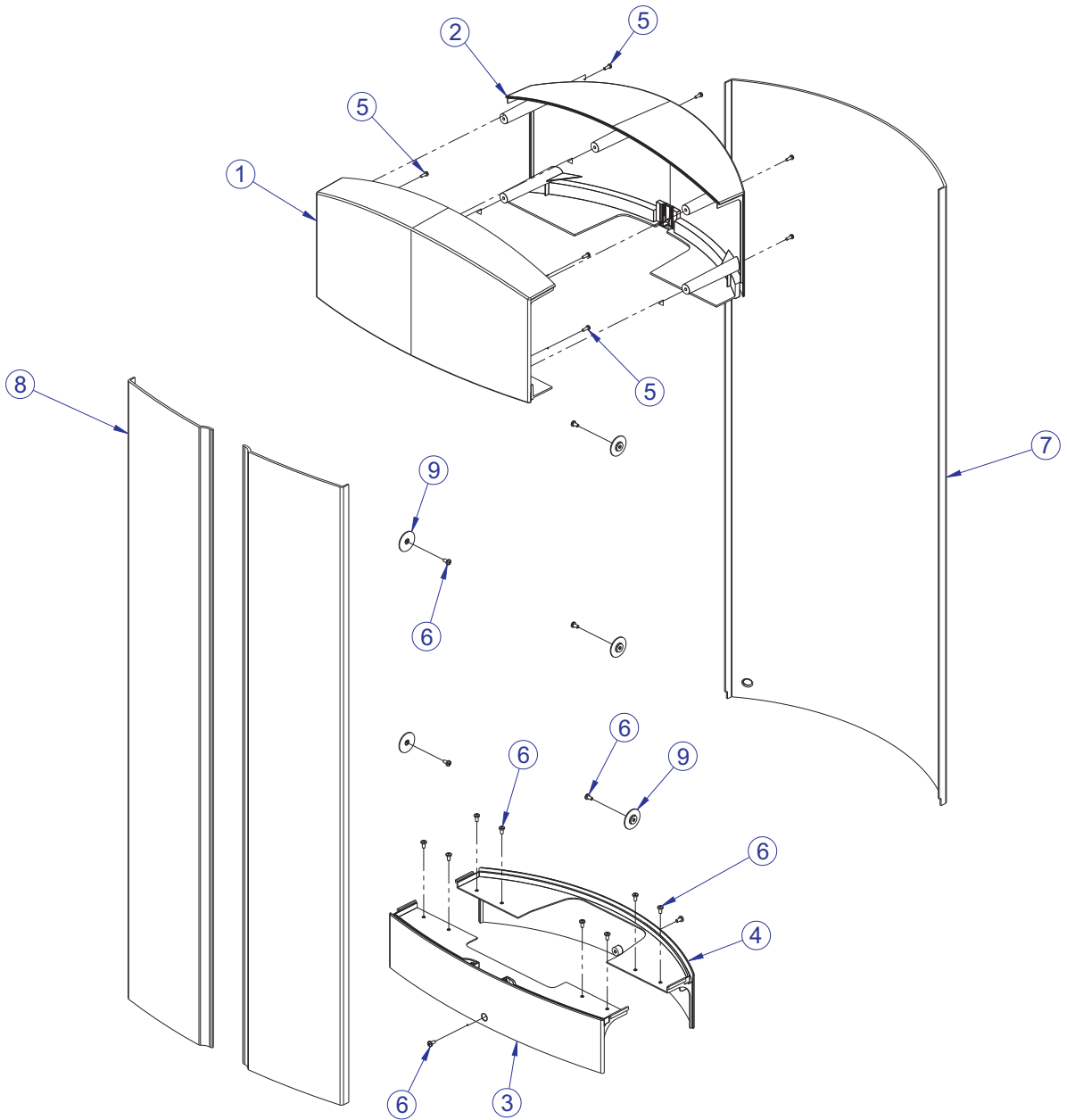
ITEM NO.	QTY.	PART NO.	DESCRIPTION
45	2	3235601	BEARING, 6205 BALL
46	1	7686901	SHAFT, BEARING
47	3	7407201	PLATE, .25 X 2 4-BAR
48	53	3236601	WASHER, 3/8 SAE SS
49	4	3251204	SCREW, M10 X1.5 X 35MM HEX ST ZN
50	25	3236202	SCREW, M10 X1.5 25MM
51	2	3236206	SCREW, M10 X1.5 45MM
52	13	3236801	NUT, M10 HEX NYLOCK SS
53	4	3251202	SCREW, M10 X1.5 X 25MM HEX ST ZN
54	7	3236208	SCREW, M10 X1.5 55MM
55	4	3238601	M10X1.5 THREADED INSERT (HEX)
56	4	3236201	SCREW, M10 X1.5 20MM
57	1	6757701	CLIP, CABLE 2-7/8 X 1 X 1
58	1	7625901	ASSY, MID TOWER-9, SHORT
59	4	3245601	BEARING, LINEAR 1" ID
60	4	3202601	RET RING, INT 1-3/4 DIA X1/16
61	2	7702101	BUSHING, .750 OD X .500 ID X .500
62	2	3236803	NUT, M12 HEX NYLOCK SS
63	2	3241309	SCREW, M12 X1.75 60MM
64	2	7351501	SPRING; PULL PIN LARGE
65	1	3110010	ROLL PIN, 1/8 X 7/8
66	2	3236701	WASHER, FENDER 3/8" ID X 1.5" OD SS
67	1	3236209	SCREW, M10 X1.5 60MM
68	1	3236902	NUT, M16 X 2 HEX JAM SS
69	1	7821101	BRKT, SELECTOR
70	4	7713801	BUMPER, 1.00 IDX1.88 ODX.25
71	1	7714601	LABEL, FZTR LOGO
72	1	7509101	LABEL, FZTR PLACARD
73	1	7422004	LABEL, 2" ASTM WARN
74	1	7423614	CABLE, M16TP, M10TS
75	1	3236901	NUT, M10 X 1.5 JAM
76	1	7422003	LABEL, MOVING PARTS
77	1	7571301	LABEL, SERIAL NUMBER
78	2	3232420	RING, BRE .926, 5100-98 ST PP B
79	2	8652701	TRANSFERRED FZTR FACE FORWARD LABEL/D-CAP
80	1	7853601	LABEL, FZTR 1-9
81	1	7801601	LABEL, FZTR CAM ADJ - RIGHT
82	1	7801701	LABEL, FZTR CAM ADJ - LEFT
83	4	3254703	NUT, M10 X 1.5 HEX ZINC
84	1	7335401	NUT, M10 X 1.5 SOCKET HEAD
85	1	3236207	SCREW, M10 X1.5 50MM
86	3	7630101	RETAINER, CM/MJ, PULLEY
87	1	80314XX	WEAR COVER, PAD, FZTR, LEFT
88	1	80313XX	WEAR COVER, PAD, FZTR, RIGHT
89	2	3241401	WASHER, FLAT 12MM SS

FZTR TORSO ROTATION MID-9 SHORT TOWER ASSEMBLY - 7625901



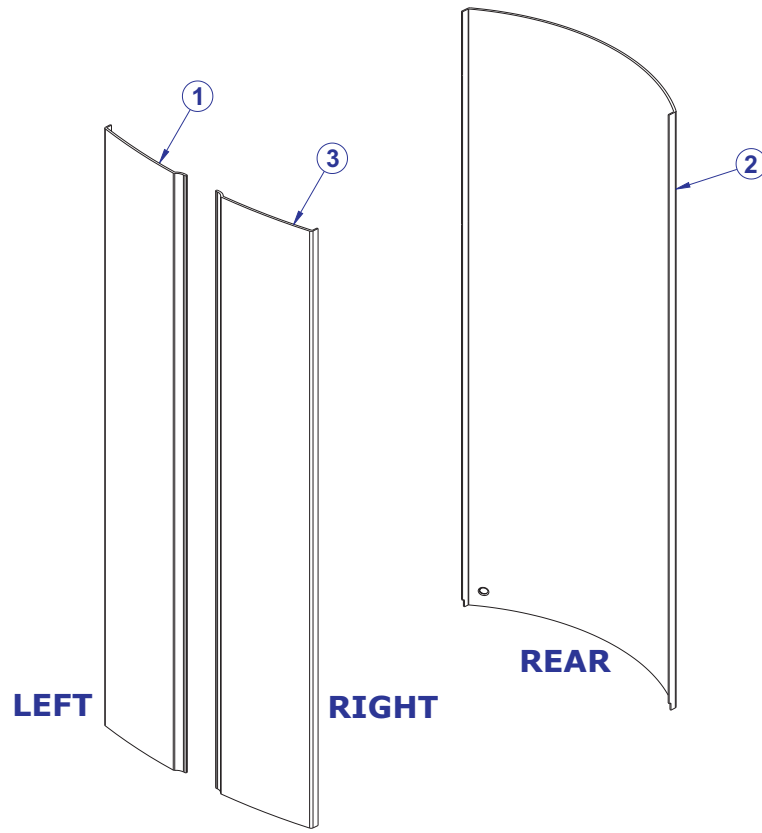
ITEM NO.	QTY.	PART NO.	DESCRIPTION
1	1	7626001	ASSY, WEIGHT STACK MID-9, SHORT
2	2	7326301	CAP, D-TUBE - BOTTOM
3	1	7419801	ASSY, TOWER PLASTICS - MID


FZTR TORSO ROTATION STANDARD PLASTIC TOWER ASSEMBLY - 7419801





ITEM NO.	QTY.	PART NO.	DESCRIPTION
1	1	7318601	COVER, TOWER- TOP FRONT
2	1	7318701	COVER, TOWER- TOP REAR
3	1	7318801	COVER, TOWER- BOTTOM FRONT
4	1	7318901	COVER, TOWER- BOTTOM REAR
5	9	3236501	M4 X 0.7 PHL PAN MS ST ZN
6	16	3239101	SCREW, M5X10 PHL PAN TT ST
7	1	7765701	SHROUD, TOWER- REAR SHORT
8	2	7765601	SHROUD, TOWER- FRT SHORT RH
9	6	7583501	RETAINER, FZ SHROUD


FZTR TORSO ROTATION OPTIONAL WRAPPED SHROUDS





BAMBOO		ITEM NO.	QTY.	PART NO.	DESCRIPTION
		1	1	8954201	SHROUD, FZ, FNT, SRT, LT -BAMBOO
		2	1	8949101	SHROUD, FZ, REAR, SRT -BAMBOO
		3	1	8949001	SHROUD, FZ, FNT, SRT, RT -BAMBOO

SKY		ITEM NO.	QTY.	PART NO.	DESCRIPTION
		1	1	8954301	SHROUD, FZ, FNT, SRT, LT -SKY
		2	1	8949301	SHROUD, FZ, REAR, SRT -SKY
		3	1	8949201	SHROUD, FZ, FNT, SRT, RT -SKY

BRONZE		ITEM NO.	QTY.	PART NO.	DESCRIPTION
		1	1	8954401	SHROUD, FZ, FNT, LT - BRONZE
		2	1	8949501	SHROUD, FZ, REAR -BRONZE
		3	1	8949401	SHROUD, FZ, FNT, SRT, RT -BRONZE

STEM		ITEM NO.	QTY.	PART NO.	DESCRIPTION
		1	1	8954501	SHROUD, FZ, FNT, SRT, LT -STEM
		2	1	8949701	SHROUD, FZ, REAR, SRT -STEM
		3	1	8949601	SHROUD, FZ, FNT, SRT, RT -STEM

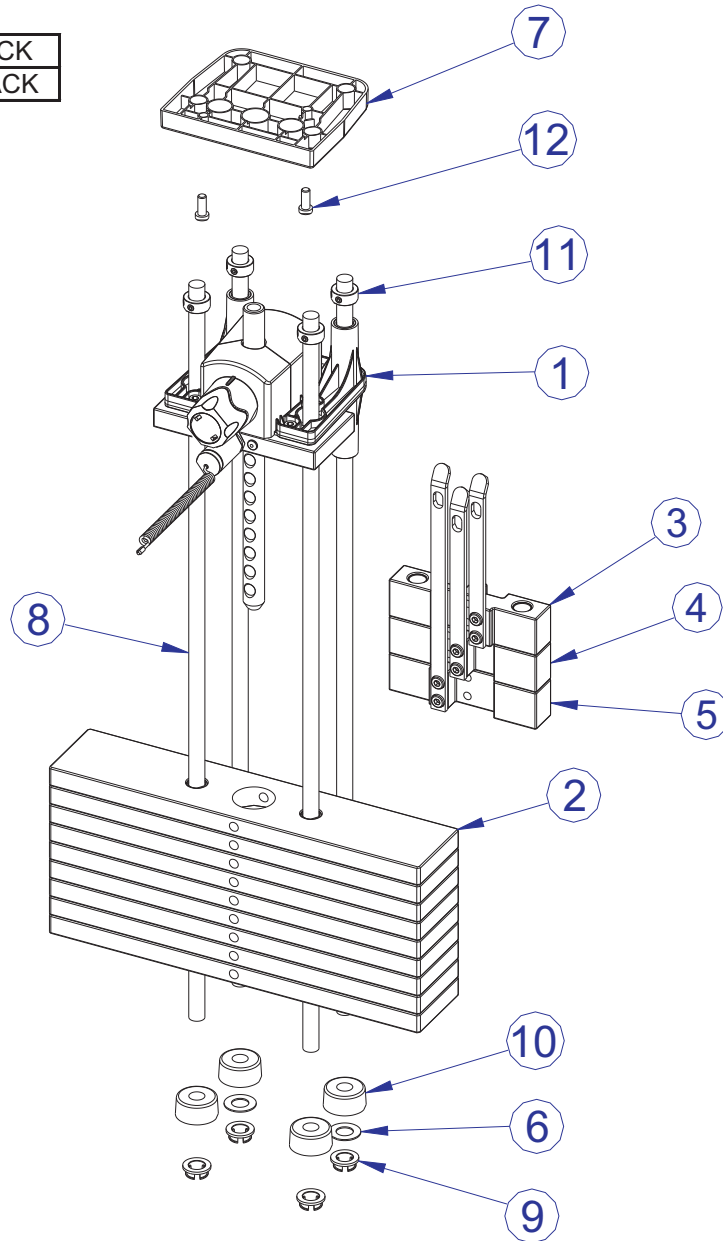
ROSEWOOD		ITEM NO.	QTY.	PART NO.	DESCRIPTION
		1	1	8954601	SHROUD, FZ, FNT, SRT, LT -ROSEWOOD
		2	1	8949901	SHROUD, FZ, REAR, SRT -ROSEWOOD
		3	1	8949801	SHROUD, FZ, FNT, SRT, RT -ROSEWOOD

STAINLESS STEEL		ITEM NO.	QTY.	PART NO.	DESCRIPTION
		1	1	8954701	SHROUD, FZ, FNT, SRT, LT -STAINLESS STEEL
		2	1	8950101	SHROUD, FZ, REAR, SRT -STAINLESS STEEL
		3	1	8950001	SHROUD, FZ, FNT, SRT, RT-STAINLESS STEEL

FZTR TORSO ROTATION MID-9 SHORT WEIGHT STACK ASSEMBLY - 7626001

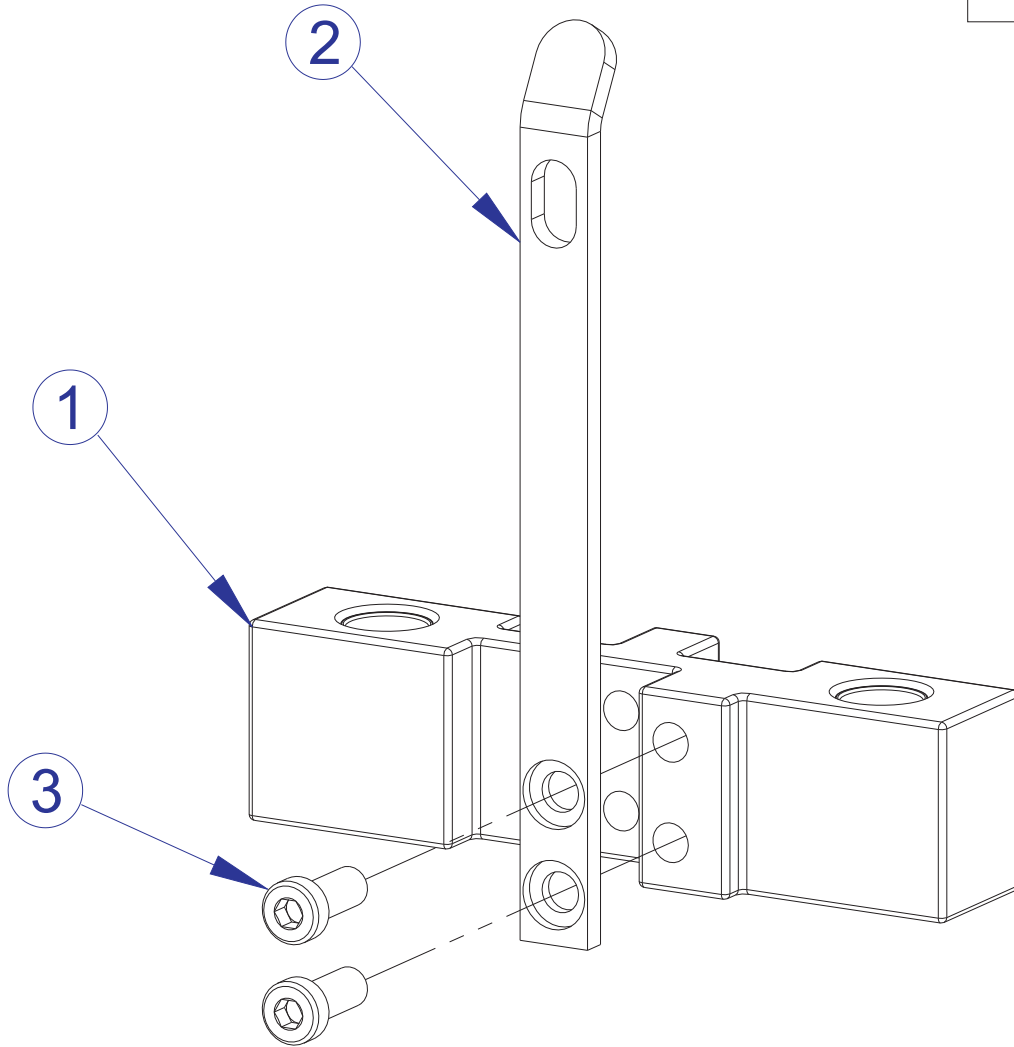
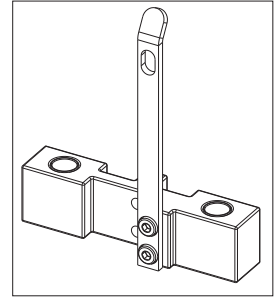
WEIGHT STACK LABELS

7927201	LABEL, 390 LB STACK
7927301	LABEL, 195 KG STACK



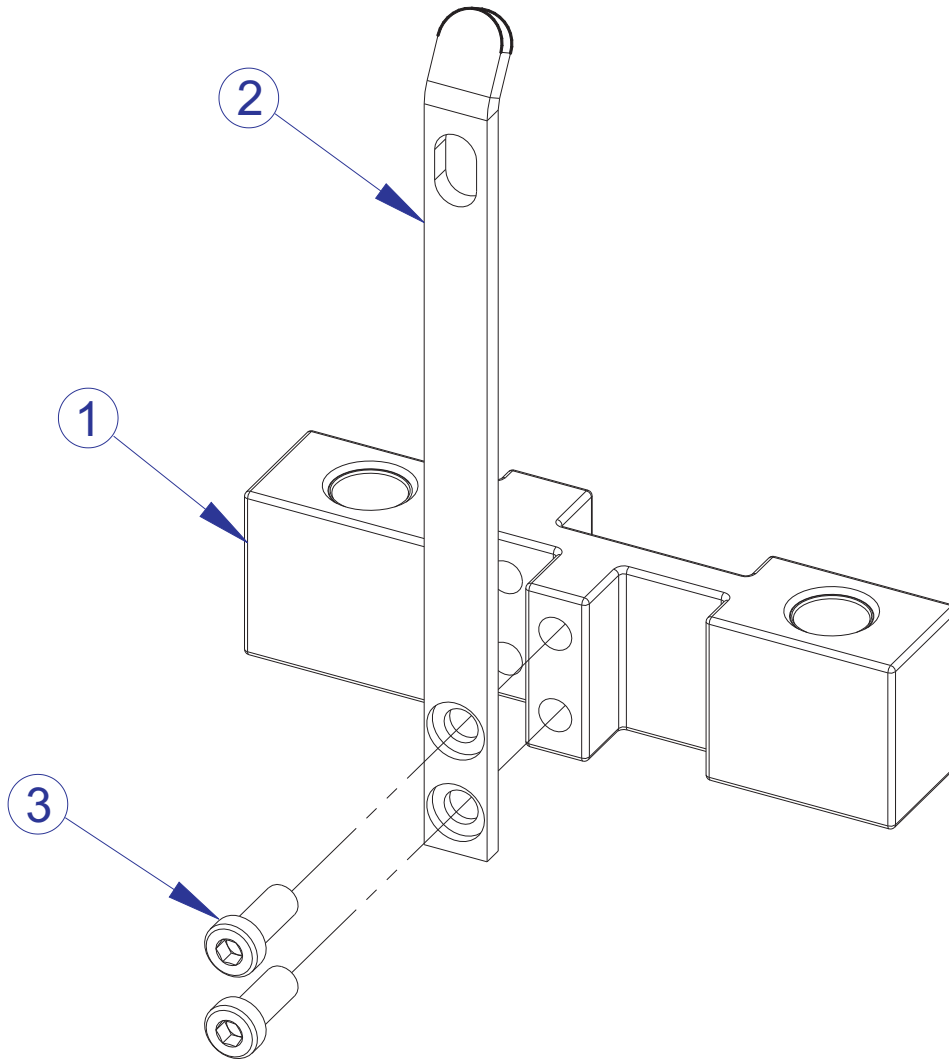
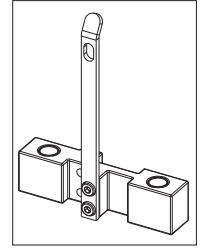
ITEM NO.	QTY.	PART NO.	DESCRIPTION
1	1	7350601	ASSY, HEAD PLATE (9)
2	9	7328401	WEIGHT PLATE, 20 LB
3	1	7327601	ASSY, INCREMENT WT - 5LB
4	1	7327701	ASSY, INCREMENT WT - 10LB
5	1	7327801	ASSY, INCREMENT WT - 15LB
6	2	7351001	SPACER, INC WT STACK
7	1	7621101	RETAINER, GUIDE ROD - TOP
8	4	7328610	GUIDE ROD, .75 OD SOLID 39.75
9	4	7337901	BUSHING, GUIDE ROD
10	4	7352101	CUSHION, WEIGHT STACK
11	4	3103301	SHAFT COLLAR, 3/4 I.D. ZINC
12	2	3236202	SCREW, M10 X1.5 25MM

FZTR TORSO ROTATION 5 LB. INCREMENT WEIGHT ASSEMBLY - 7327601



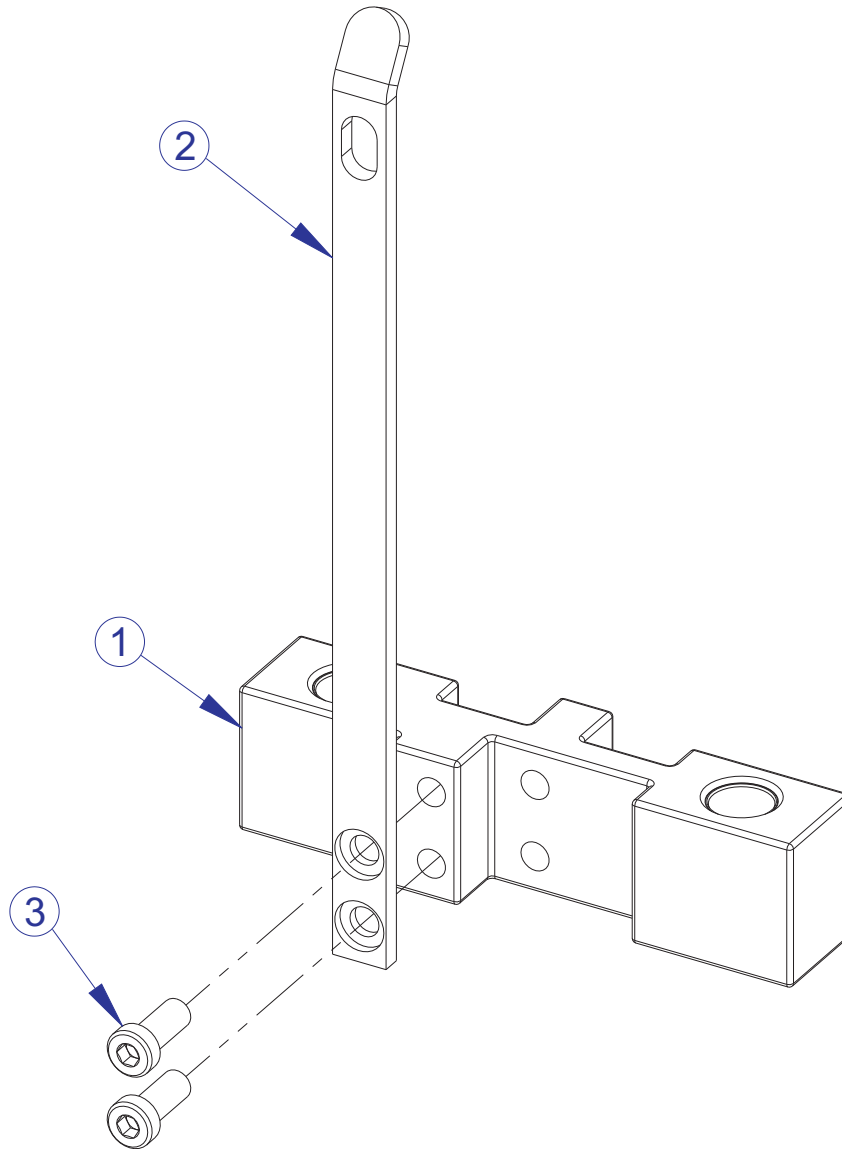
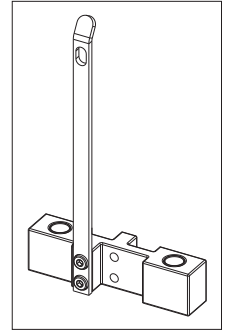
ITEM NO.	QTY.	PART NO.	DESCRIPTION
1	1	7968501	ASSY, FZ INC WEIGHT 5LB
2	1	7328001	BRKT, INCREMENT WT - 5 LB
3	2	3236202	SCREW, M10 X1.5 25MM

FZTR TORSO ROTATION 10 LB. INCREMENT WEIGHT ASSEMBLY - 7327701



ITEM NO.	QTY.	PART NO.	DESCRIPTION
1	1	7968501	ASSY, FZ INC WEIGHT 5LB
2	1	7328101	BRKT, INCREMENT WT - 10 LB
3	2	3236202	SCREW, M10 X1.5 25MM

FZTR TORSO ROTATION 15 LB. INCREMENT WEIGHT ASSEMBLY - 7327801

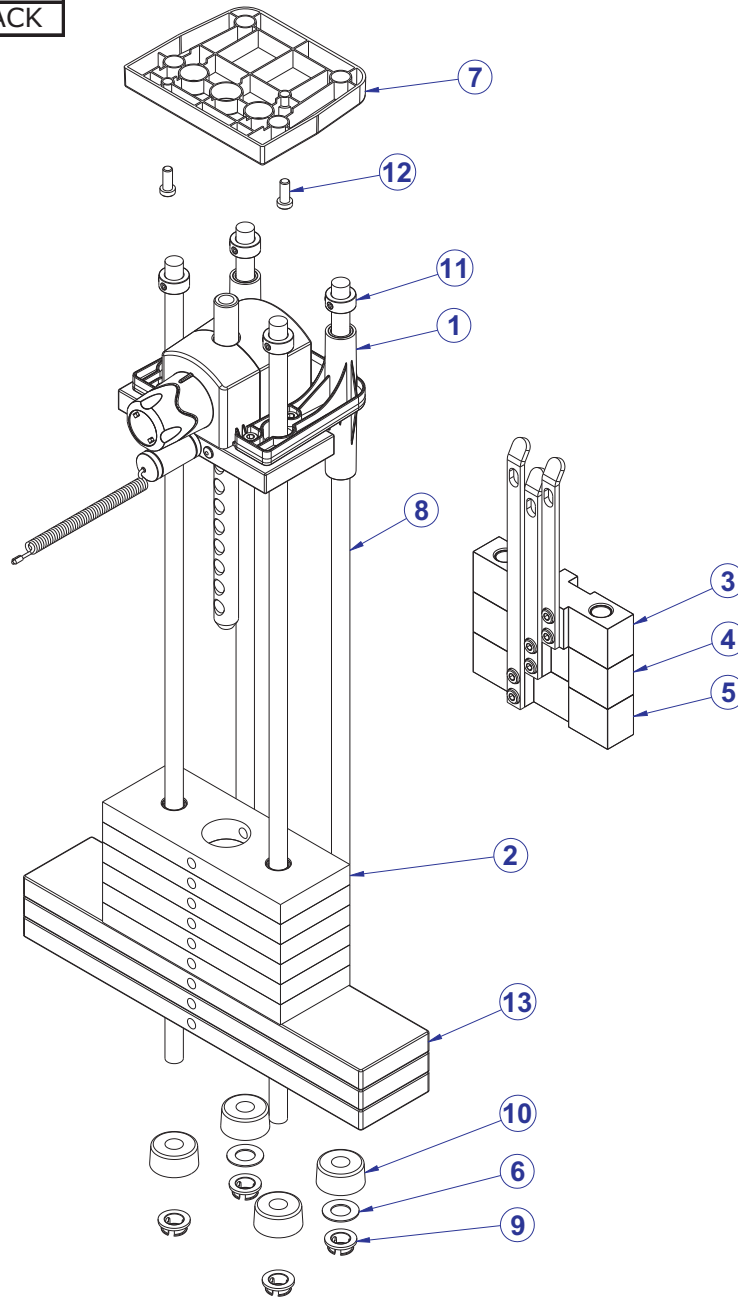


ITEM NO.	QTY.	PART NO.	DESCRIPTION
1	1	7968501	ASSY, FZ INC WEIGHT 5LB
2	1	7328201	BRKT, INCREMENT WT - 15 LB
3	2	3236202	SCREW, M10 X1.5 25MM

FZTR TORSO ROTATION

OPTIONAL MID SHORT LIGHT-9 WEIGHT STACK ASSY. - 8866501

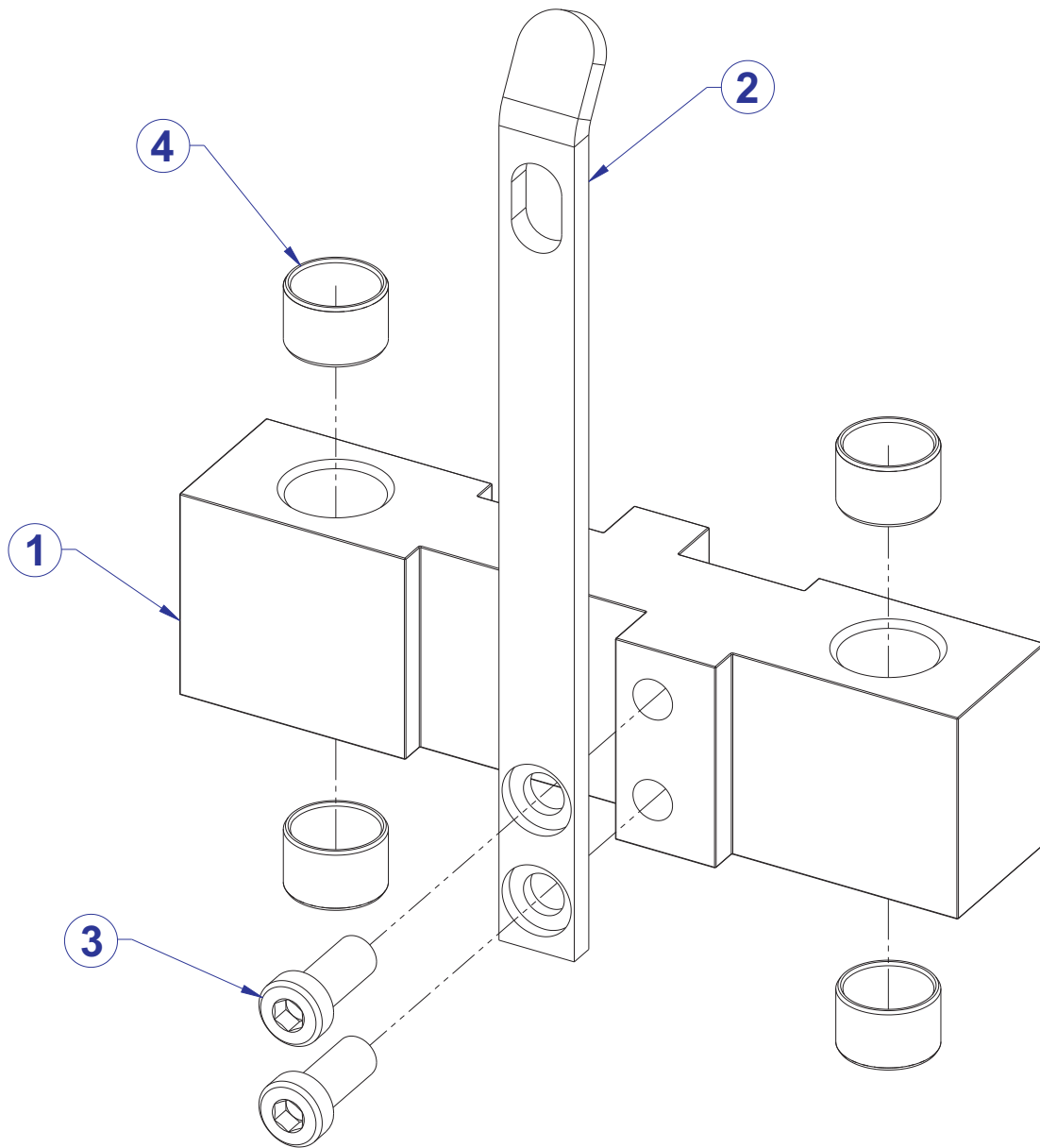
WEIGHT STACK LABEL	
8867101	LABEL, 190 LB STACK



ITEM NO.	QTY.	PART NO.	DESCRIPTION
1	1	7350601	ASSY, HEAD PLATE (9)
2	6	7353701	ASSY, 10 LB PLATE
3	1	8861301	ASSY, FZ INC WEIGHT - 2.5 LB
4	1	8861401	ASSY, FZ INC WEIGHT - 5 LB
5	1	8861501	ASSY, FZ INC WEIGHT - 7.5 LB
6	2	7351001	SPACER, INC WT STACK
7	1	7621101	RETAINER, GUIDE ROD - TOP
8	4	7328610	GUIDE ROD, .75 OD SOLID 39.75
9	4	7337901	BUSHING, GUIDE ROD
10	4	7352101	CUSHION, WEIGHT STACK
11	4	3103301	SHAFT COLLAR, 3/4 I.D. ZINC
12	2	3236202	SCREW, M10 X1.5 25MM
13	3	7328401	WEIGHT PLATE, 20 LB

FZTR TORSO ROTATION

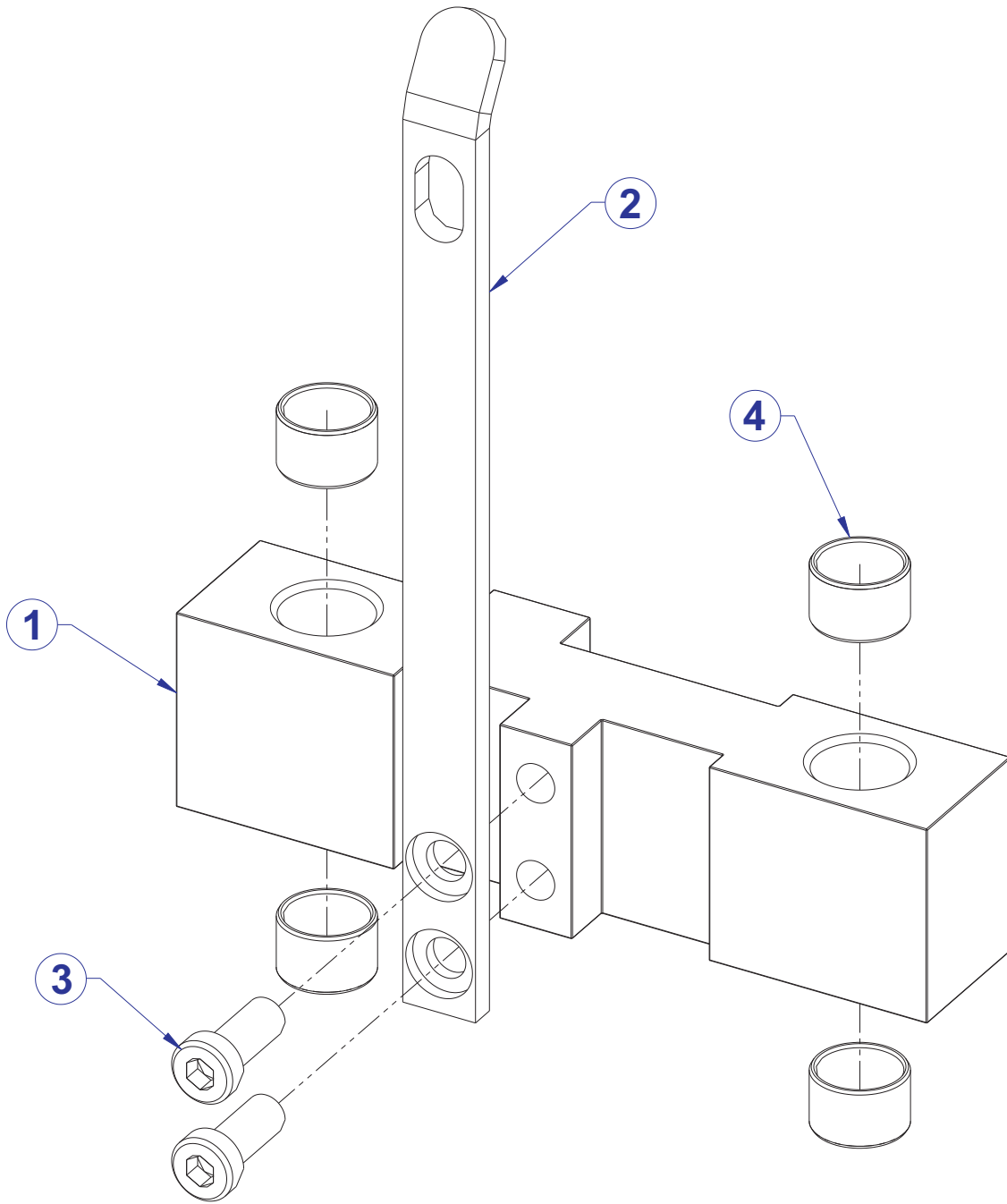
OPTIONAL 2.5 LB. INCREMENT WEIGHT ASSY. - 8861301



ITEM NO.	QTY.	PART NO.	DESCRIPTION
1	1	8861295	INCREMENT WEIGHT, FZ OPTIONAL - SG
2	1	7328001	BRKT, INCREMENT WT - 5 LB
3	2	3236202	SCREW, M10 X1.5 25MM
4	4	3202501	BEARING, SLEEVE 20 ID X 23.00 X 15 MM

FZTR TORSO ROTATION

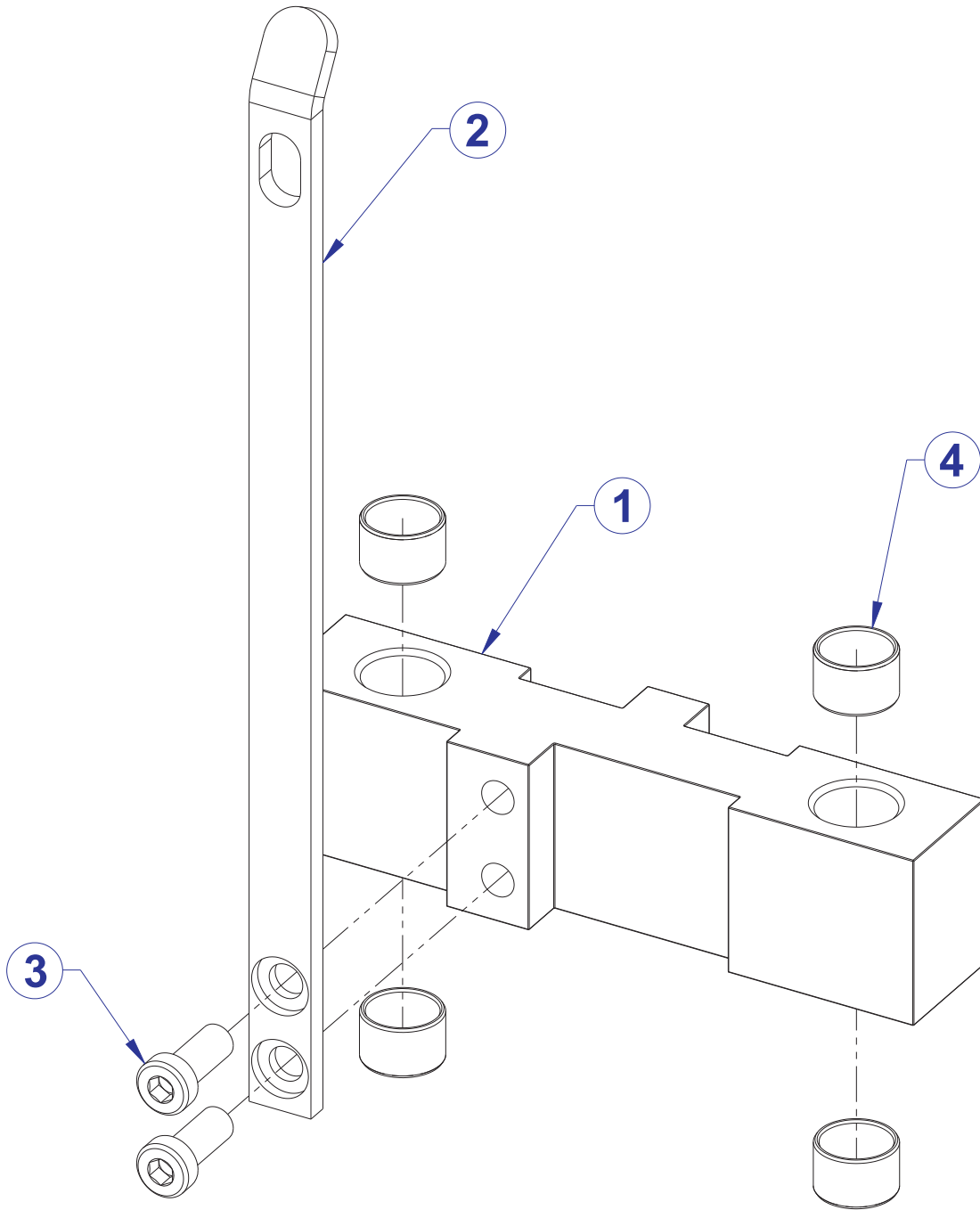
OPTIONAL 5 LB. INCREMENT WEIGHT ASSY. - 8861401



ITEM NO.	QTY.	PART NO.	DESCRIPTION
1	1	8861295	INCREMENT WEIGHT, FZ OPTIONAL - SG
2	1	7328101	BRKT, INCREMENT WT - 10 LB
3	2	3236202	SCREW, M10 X1.5 25MM
4	4	3202501	BEARING, SLEEVE 20 ID X 23.00 X 15 MM

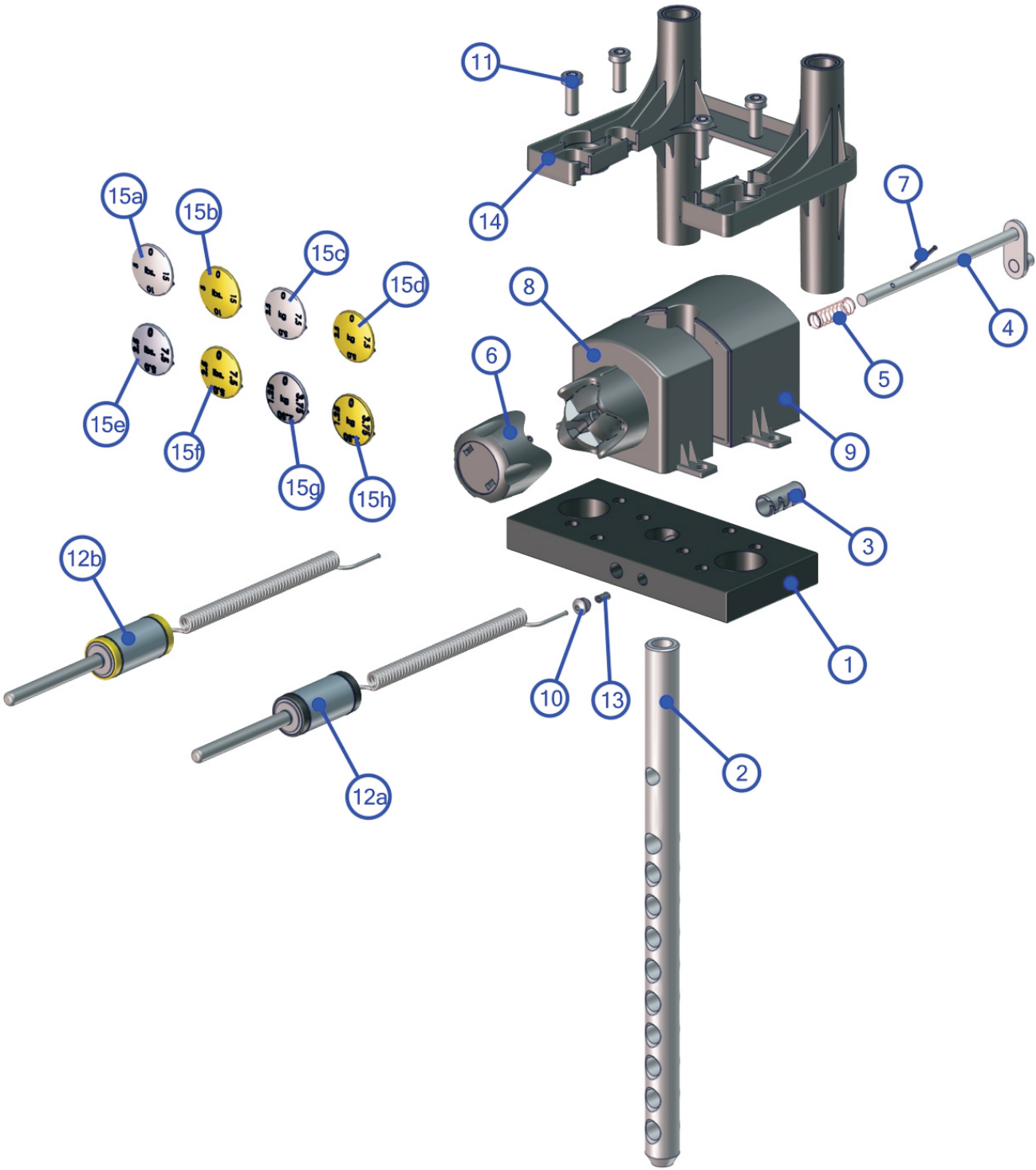
FZTR TORSO ROTATION

OPTIONAL 7.5 LB. INCREMENT WEIGHT ASSY. - 8861501



ITEM NO.	QTY.	PART NO.	DESCRIPTION
1	1	8861295	INCREMENT WEIGHT, FZ OPTIONAL - SG
2	1	7328201	BRKT, INCREMENT WT - 15 LB
3	2	3236202	SCREW, M10 X1.5 25MM
4	4	3202501	BEARING, SLEEVE 20 ID X 23.00 X 15 MM

FZTR TORSO ROTATION HEAD PLATE ASSEMBLY - 7350601



SEE PAGE 20 FOR LEGEND

FZTR TORSO ROTATION HEAD PLATE ASSEMBLY LEGEND

ITEM NO.	QTY.	PART NO.	DESCRIPTION	WHERE USED	
1	1	7326701	HEAD PLATE	-	
2	1	7347801	STEM, 9 PLATE	-	
3	1	3236001	BUSHING, SPRING PIN	-	
4	1	7327201	WLDMT, INCREMENT WT PIN	-	
5	1	8024501	SPRING, 1/2 OD X 1-1/2	-	
6	1	7326101	KNOB, INC WT SELECTOR	-	
7*	1	3110008	ROLL PIN, 1/8 X 1-1/4	-	
8*	1	7326401	HOUSING, SELECTOR - FRONT	-	
9*	1	7326501	HOUSING, SELECTOR - REAR	-	
10	1	7356501	PLUG, LANYARD ATTACHMENT	-	
11	4	3236202	SCREW, M10 X1.5 25MM	-	
12**	a	1	7338101	ASSY, WT STACK SELECTOR PIN-SILVER	-
	b		7338103	ASSY, WT STACK SELECTOR PIN-YELLOW	-
13	1	7523601	CRIMP, CABLE	-	
14	1	8867301	ASSY, FZ, STABILIZER WITH BUSHINGS	-	
15**	a	1	7398601	CAP, SELECTOR KNOB - 5 LBS, SILVER	REG. STACK / LBS.
	b		7398603	CAP, FZ SELECTOR KNOB - 5 LBS, YELLOW	REG. STACK / LBS.
	c		7398701	CAP, FZ SELECTOR KNOB - 2.5 KG, SILVER	REG. STACK / KG.
	d		7398703	CAP, FZ SELECTOR KNOB - 2.5 KG, YELLOW	REG. STACK / KG.
	e		8865801	CAP, FZ SELECTOR KNOB - 2.5 LBS, SILVER	LIGHT STACK / LBS.
	f		8865803	CAP, FZ SELECTOR KNOB - 2.5 LBS, YELLOW	LIGHT STACK / LBS.
	g		8946501	CAP, FZ SELECTOR KNOB - 1.25 KG, SILVER	LIGHT STACK / KG.
	h		8946503	CAP, FZ SELECTOR KNOB - 1.25 KG, YELLOW	LIGHT STACK / KG.

* Kit exists for component set. See bulletin FZ02012701N

** Language specific/Weight stack item. Order separately-not part of assembly.

FZTR TORSO ROTATION IMAGE

