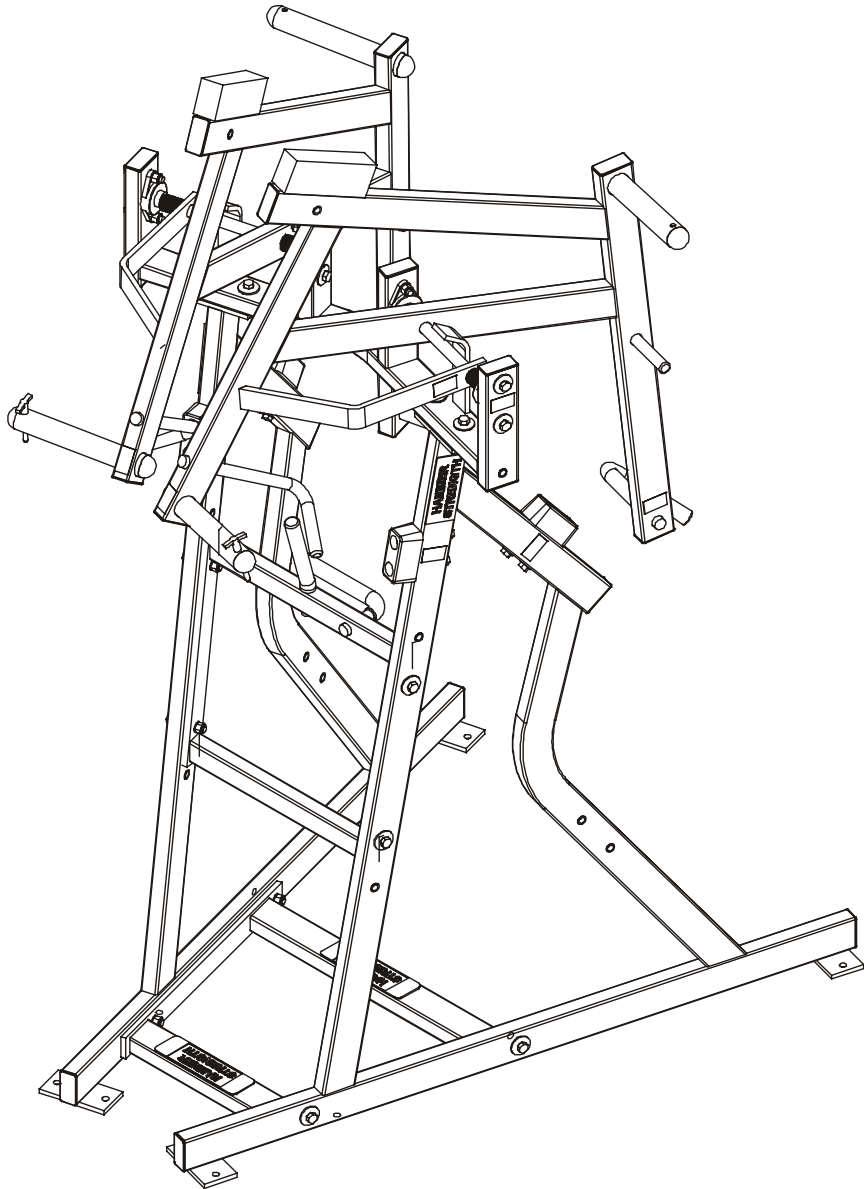


LifeFitness

HAMMER STRENGTH GROUND BASE COMBO DECLINE



Customer Support Services ***PARTS MANUAL***

GROUND BASE COMBO DECLINE

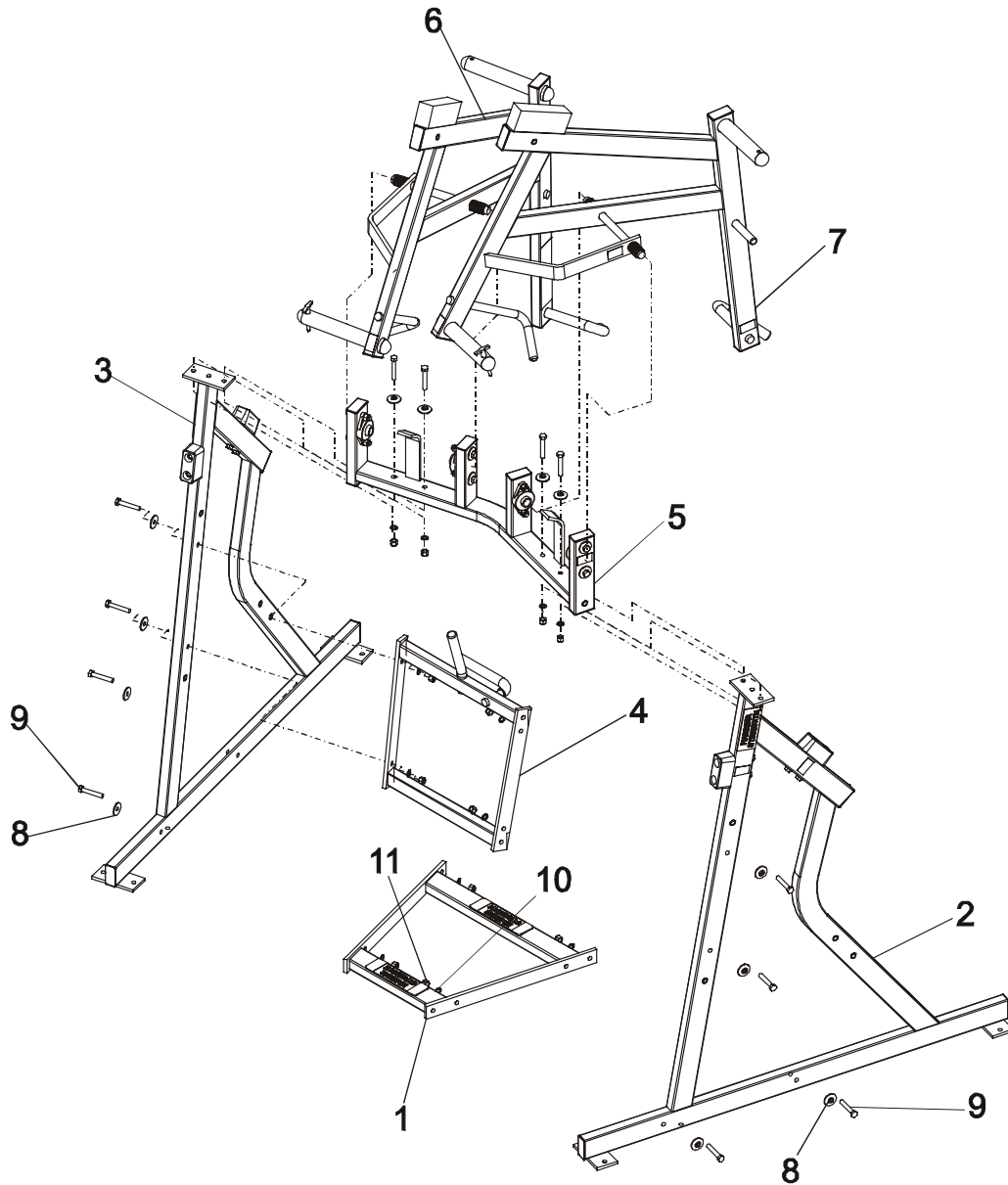
Notes:

GROUND BASE COMBO DECLINE

Contents

	PAGE
COMPONENT ASSEMBLY.....	4
LEFT MOVEMENT ARM.....	5
LEFT SIDE FRAME.....	6
RIGHT SIDE FRAME	7
TOP CROSS MEMBER.....	8
BOTTOM CROSS MEMBER	9
FRONT FRAME.....	10

GROUND BASE COMBO DECLINE COMPONENT ASSEMBLY

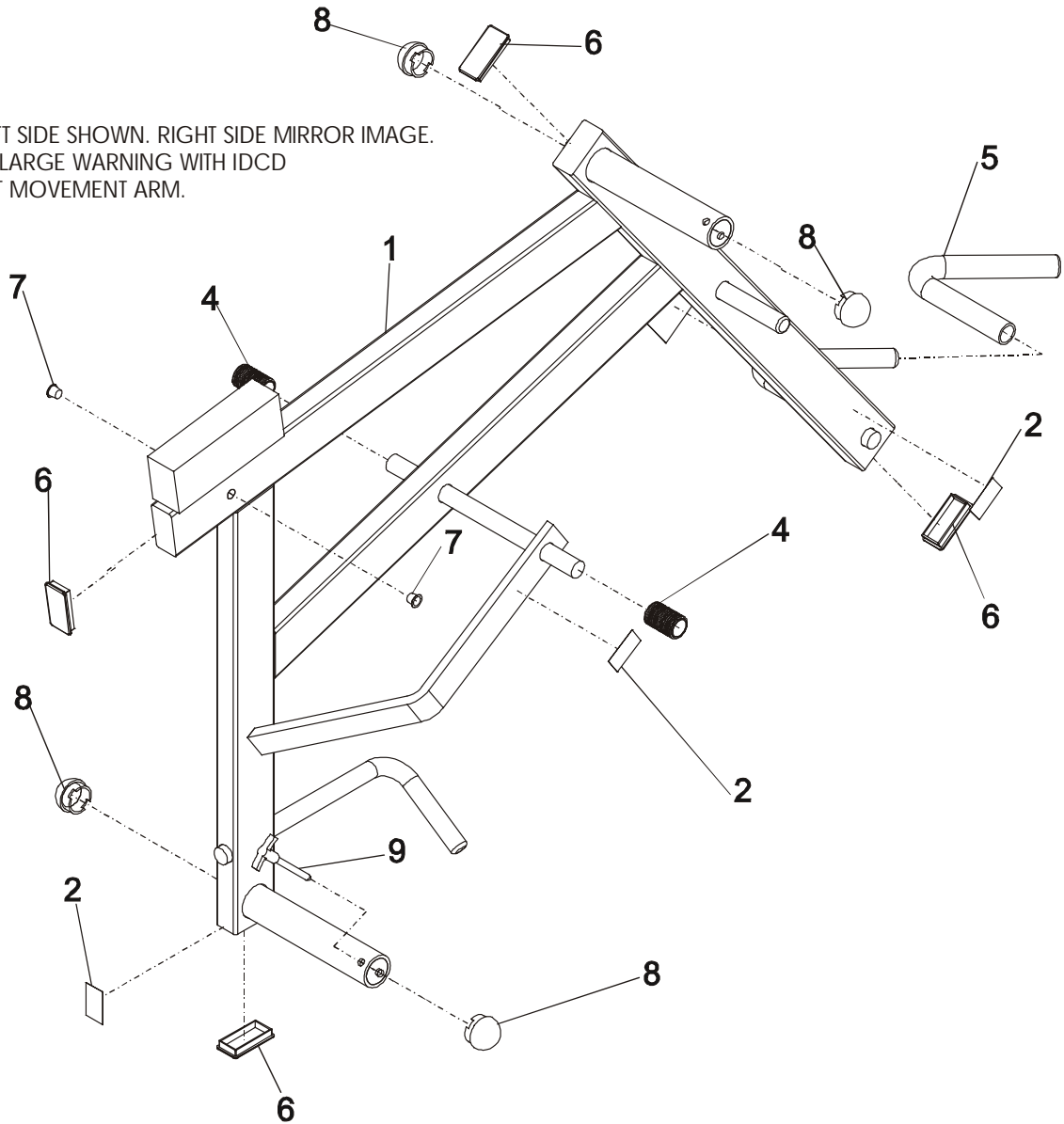


ITEM NO.	QTY	PART NO.	DESCRIPTION
1	1	GBCD-CBX-0	Bottom Crossmember Assembly
2	1	GBCD-CSFL-0	Left Side Frame Assembly
3	1	GBCD-CSFR-0	Right Side Frame Assembly
4	1	GBCD-CFX-0	Front Crossmember Assembly
5	1	GBCD-CTX-0	Top Crossmember Assembly
6	1	IDCD	
7	1	GBCD-CMAL-0	Left Movement Arm Assembly
8	12	H-BACK WASH	Backing Washer
9	12	HHB.5X3	1/2 X 3 Bolt
10	12	WASH.5STAR	1/2" Internal Lock Washer
11	12	NUT.5LOCK	1/2" Thick Lock Nut

GROUND BASE COMBO DECLINE

LEFT MOVEMENT ARM

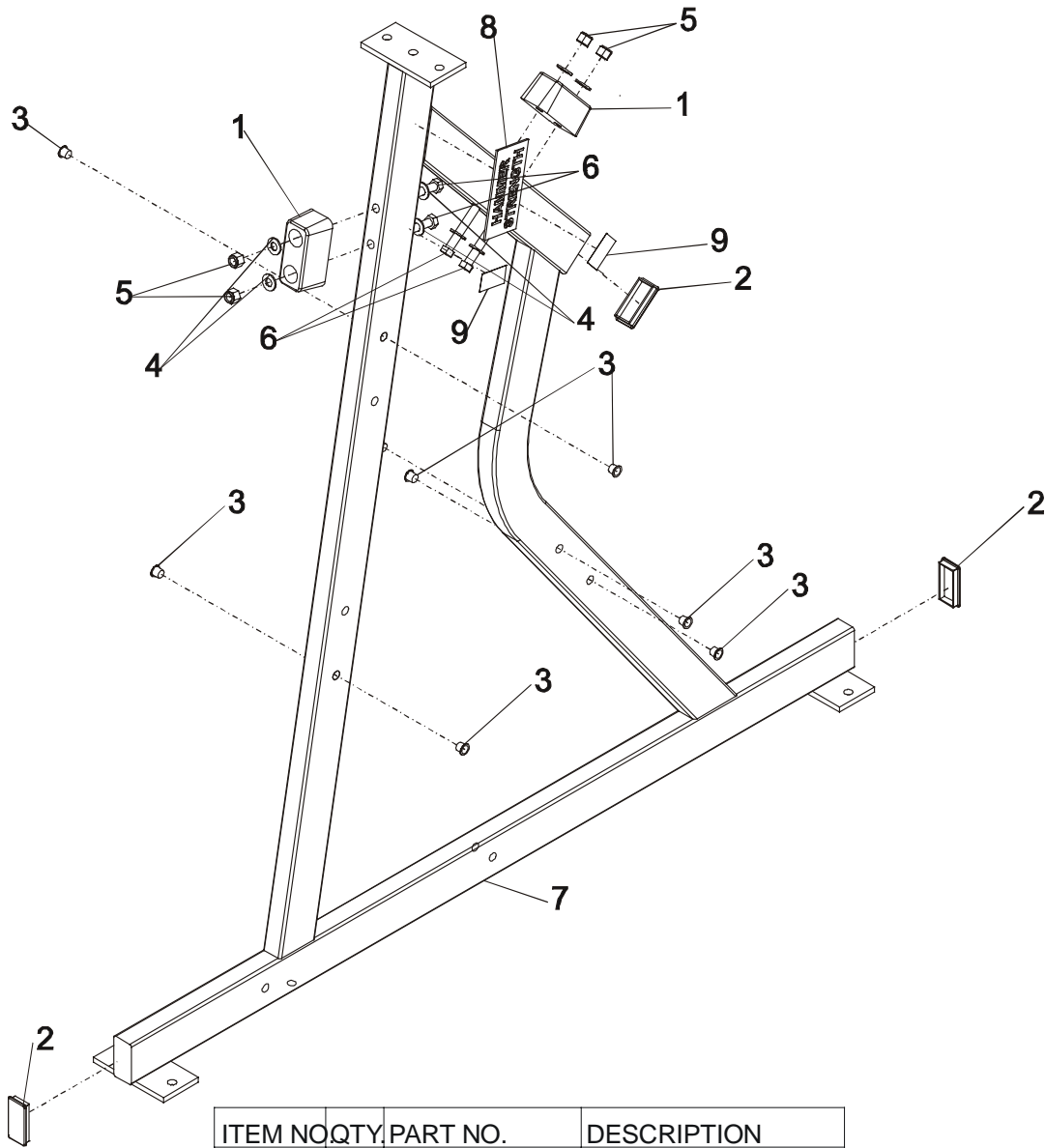
NOTE: LEFT SIDE SHOWN. RIGHT SIDE MIRROR IMAGE.
 REPLACE LARGE WARNING WITH IDCD
 ON RIGHT MOVEMENT ARM.



ITEM NO	QTY	PART NO.	DESCRIPTION
1	1	GBCD-MAL-0	Left Movement Arm
2	3	STAY CLEAR	Stay Clear Decal
3	1	WARNING LARGE-V	Large Warning Vert.
4	2	ACCORDIAN	Shaft Guard
5	1	1" GRIP	GRIP
6	4	H-PEND3	1 1/2 X 3 End Cap
7	2	H-HPLUG(REG)	Hole Plug
8	4	H-BENDCAP	Bullet Cap
9	1	SELECTOR PIN-4	SELECTOR PIN 4"

GROUND BASE COMBO DECLINE

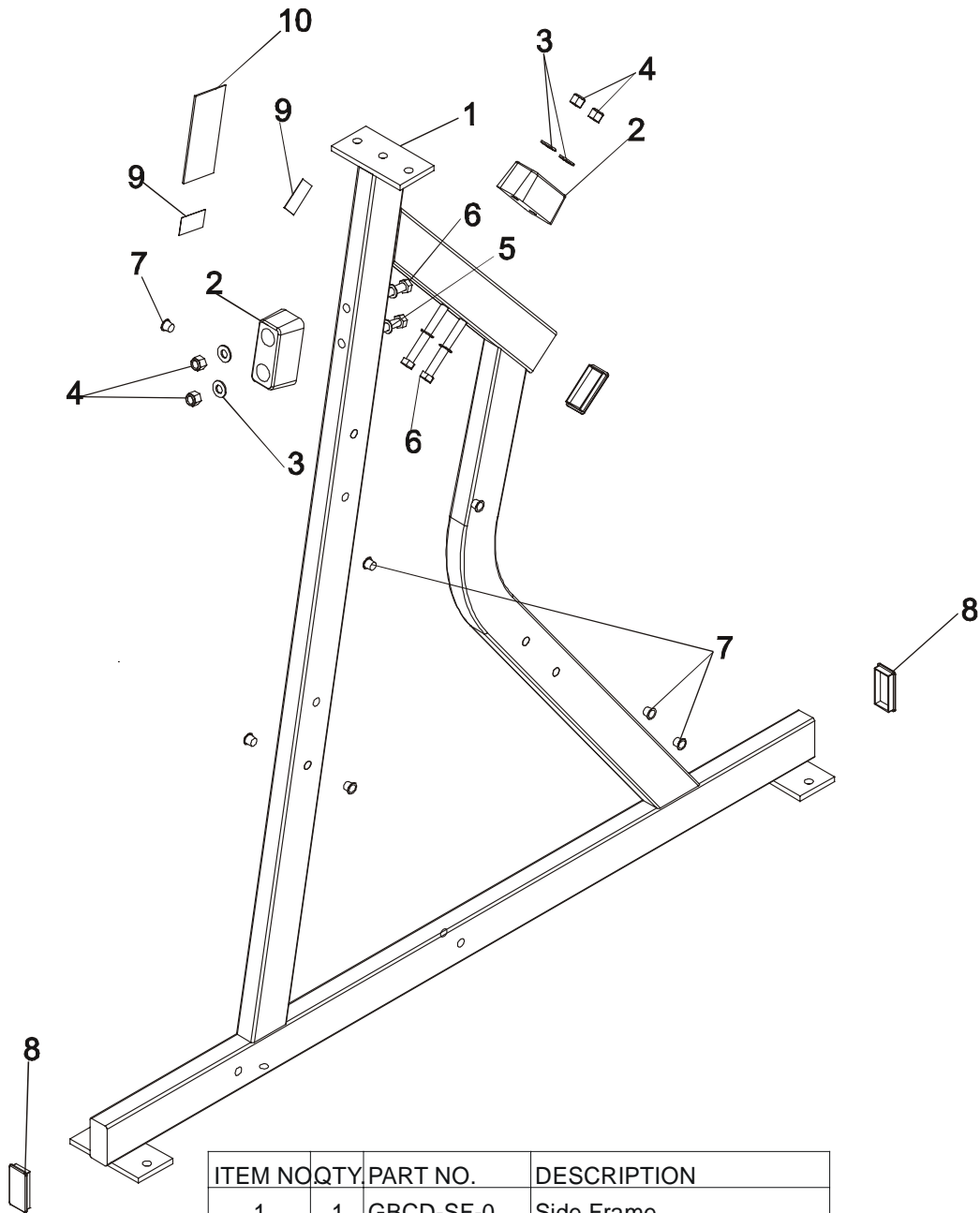
LEFT SIDE FRAME



ITEM NO	QTY	PART NO.	DESCRIPTION
1	2	H-BUMP-MED	MM2 Medium
2	3	H-PEND3	1 1/2 X 3 End Cap
3	8	H-HPLUG(REG)	Hole Plug
4	8	WASH.5SAE	1/2" SAE Flat Washer
5	4	NUT.5LOCK	1/2" Thick Lock Nut
6	4	HHB.5X4.5	1/2 X 4 1/2 Bolt
7	1	GBCD-SF-0	Side Frame
8	1	H-NAMEPLATE	Name Plate
9	2	STAY CLEAR	Stay Clear Decal
10	1	PATENT	Patent Decal

GROUND BASE COMBO DECLINE

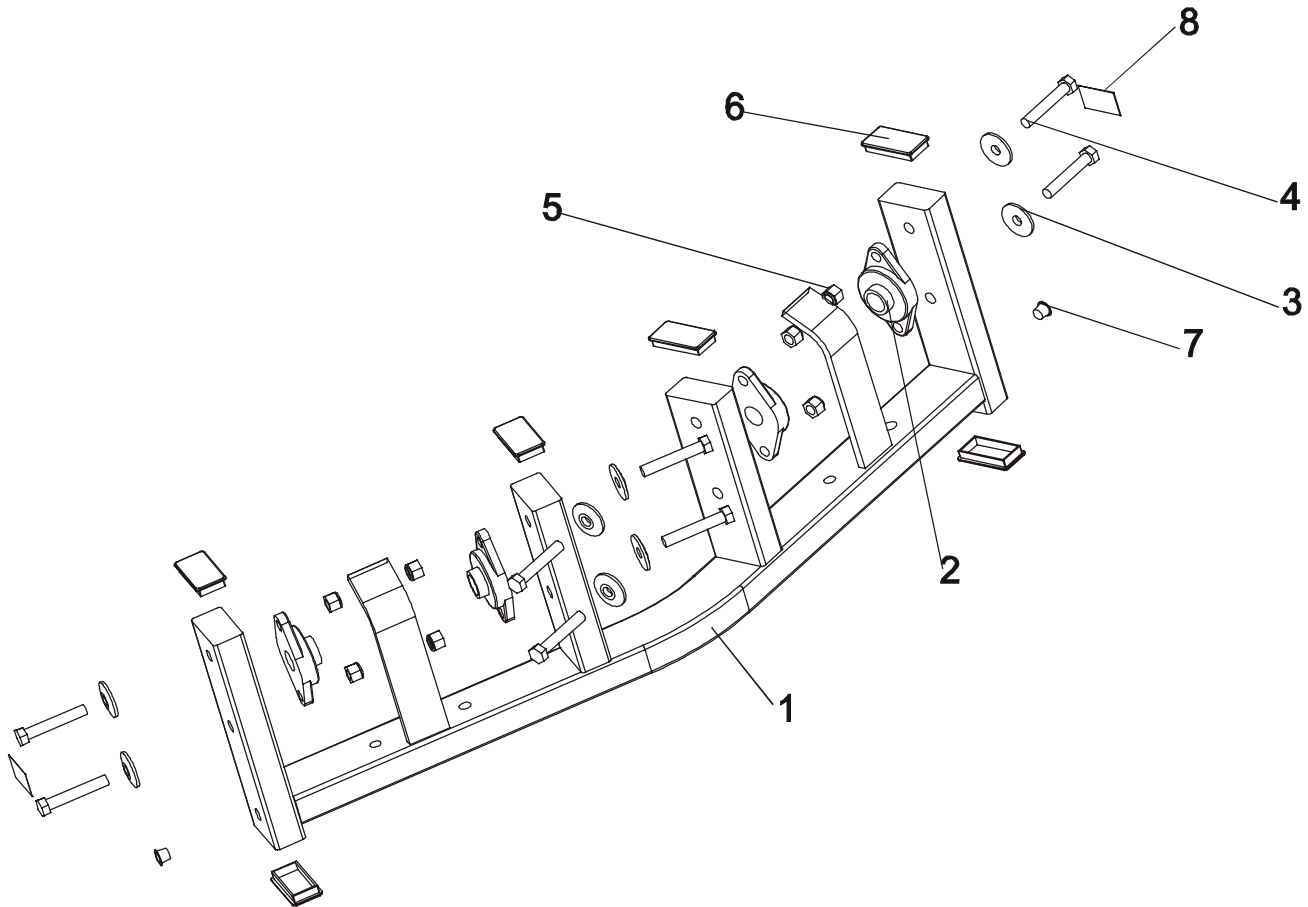
RIGHT SIDE FRAME



ITEM NO	QTY	PART NO.	DESCRIPTION
1	1	GBCD-SF-0	Side Frame
2	2	H-BUMP-MED	MM2 Medium
3	4	WASH.5SAE	1/2" SAE Flat Washer
4	4	NUT.5LOCK	1/2" Thick Lock Nut
5	4	WASH.5STAR	1/2" Internal Lock Washer
6	4	HHB.5X4.5	1/2 X 4 1/2 Bolt
7	8	H-HPLUG(REG)	Hole Plug
8	3	H-PEND3	1 1/2 X 3 End Cap
9	2	STAY CLEAR	Stay Clear Decal
10	1	H-NAMEPLATE	Name Plate

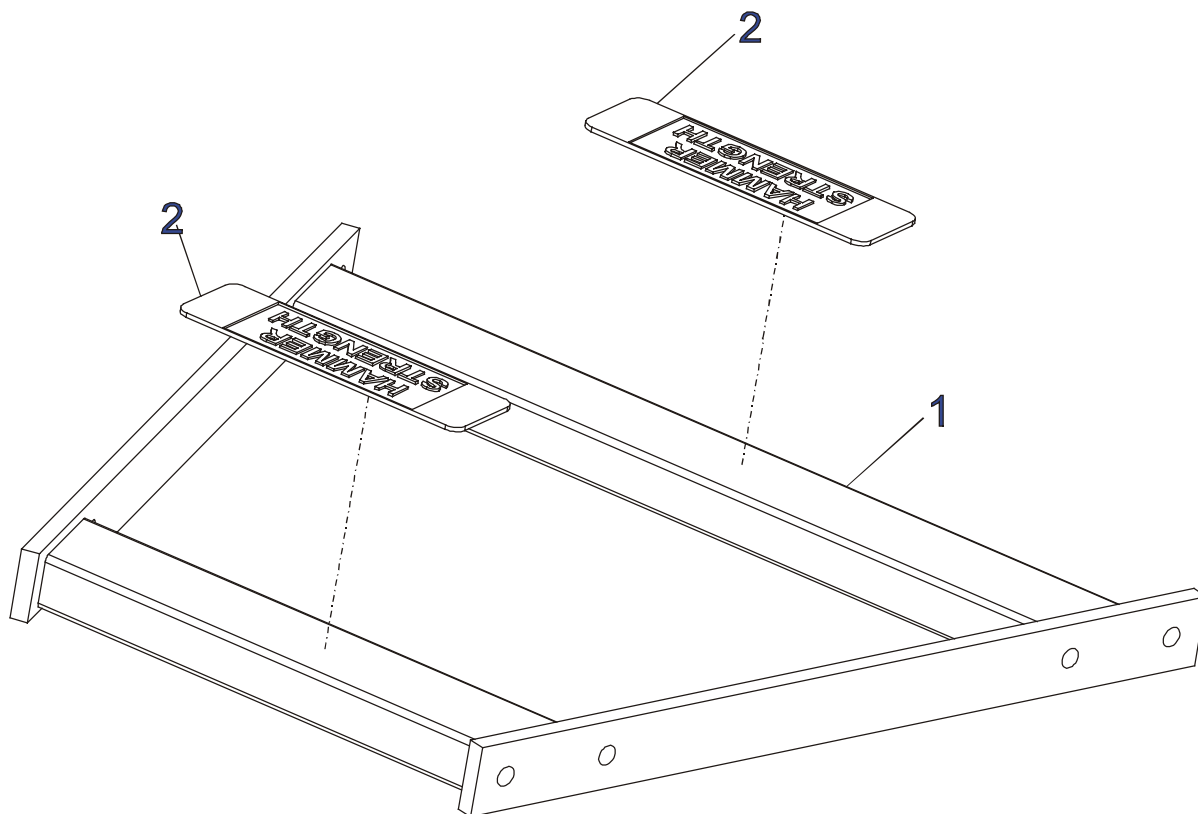
GROUND BASE COMBO DECLINE

TOP CROSS MEMBER



ITEM NO	QTY.	PART NO.	DESCRIPTION
1	1	GBCD-TX-0	Top Crossmember
2	4	H-BEAR-SML	Small Bearing
3	8	H-BACK WASH	Backing Washer
4	8	HHB.5X3	1/2 X 3 Bolt
5	8	NUT.5LOCK	1/2" Thick Lock Nut
6	6	H-PEND3	1 1/2 X 3 End Cap
7	2	H-HPLUG(REG)	Hole Plug
8	2	STAY CLEAR	Stay Clear Decal

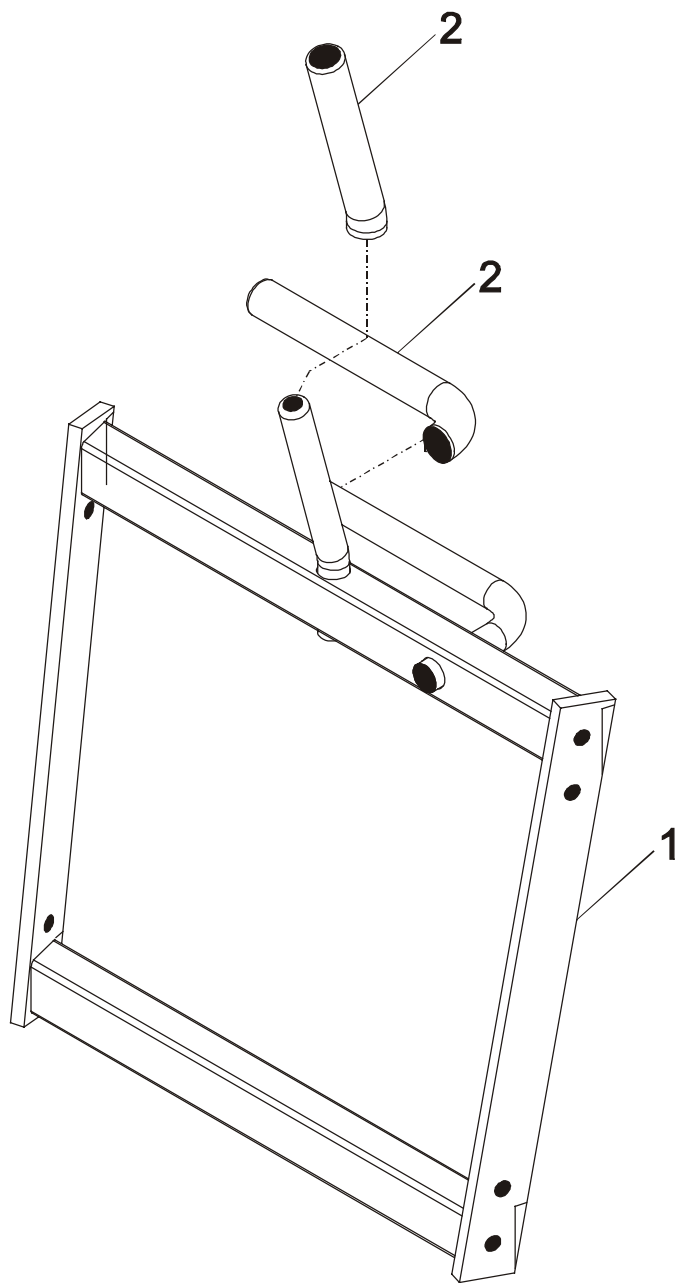
GROUND BASE COMBO DECLINE BOTTOM CROSS MEMBER



ITEM NO.	QTY.	PART NO.	DESCRIPTION
1	1	GBCD-BX-0	Bottom Crossmember
2	2	H-NONSKID-3 X 92 5/8 X 9	Nonskid

GROUND BASE COMBO DECLINE

FRONT FRAME



ITEM NO.	QTY.	PART NO.	DESCRIPTION
1	1	GBCD-FX-A00	FRONT FRAME
2	2	1" GRIP	GRIP