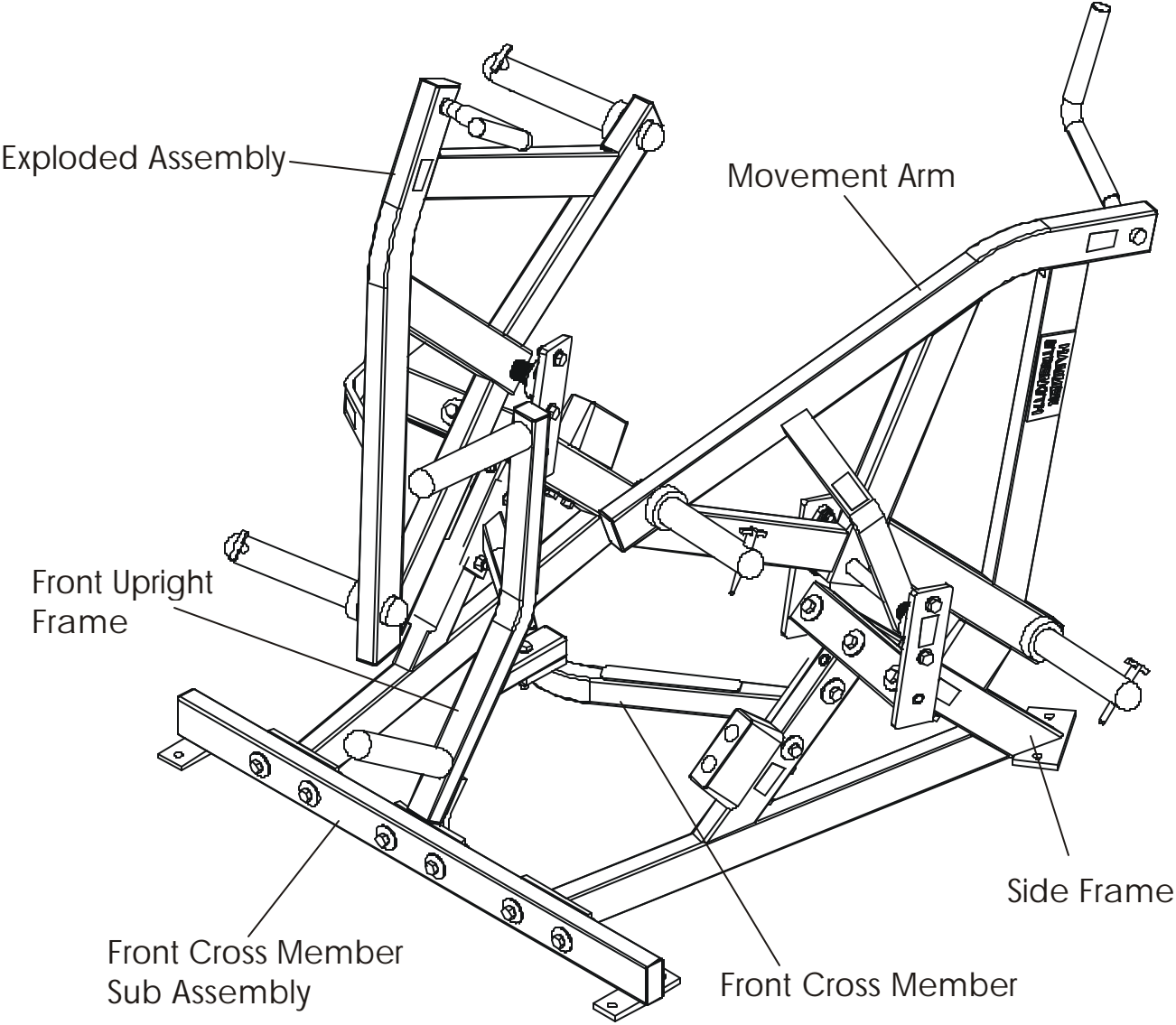
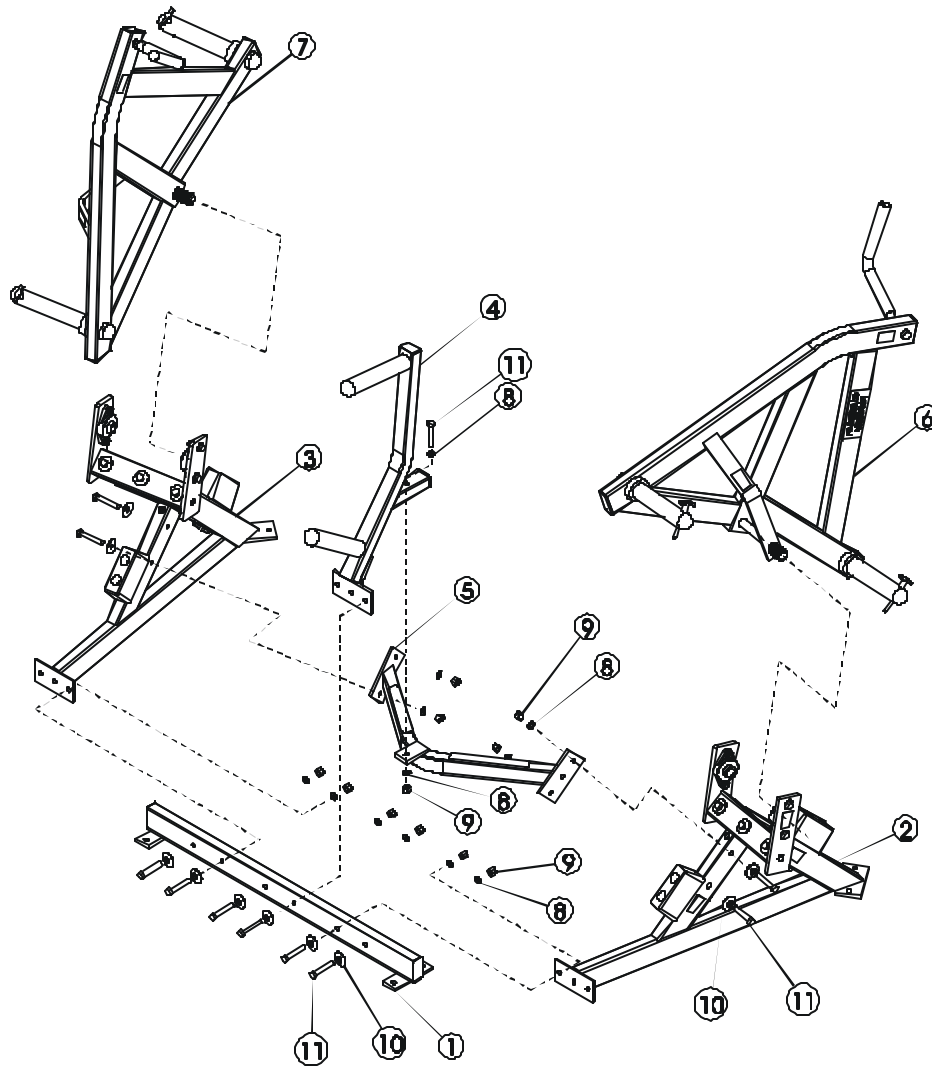


HAMMER STRENGTH EQUIPMENT
GBCT - Ground Based Combo Twist



HAMMER STRENGTH EQUIPMENT

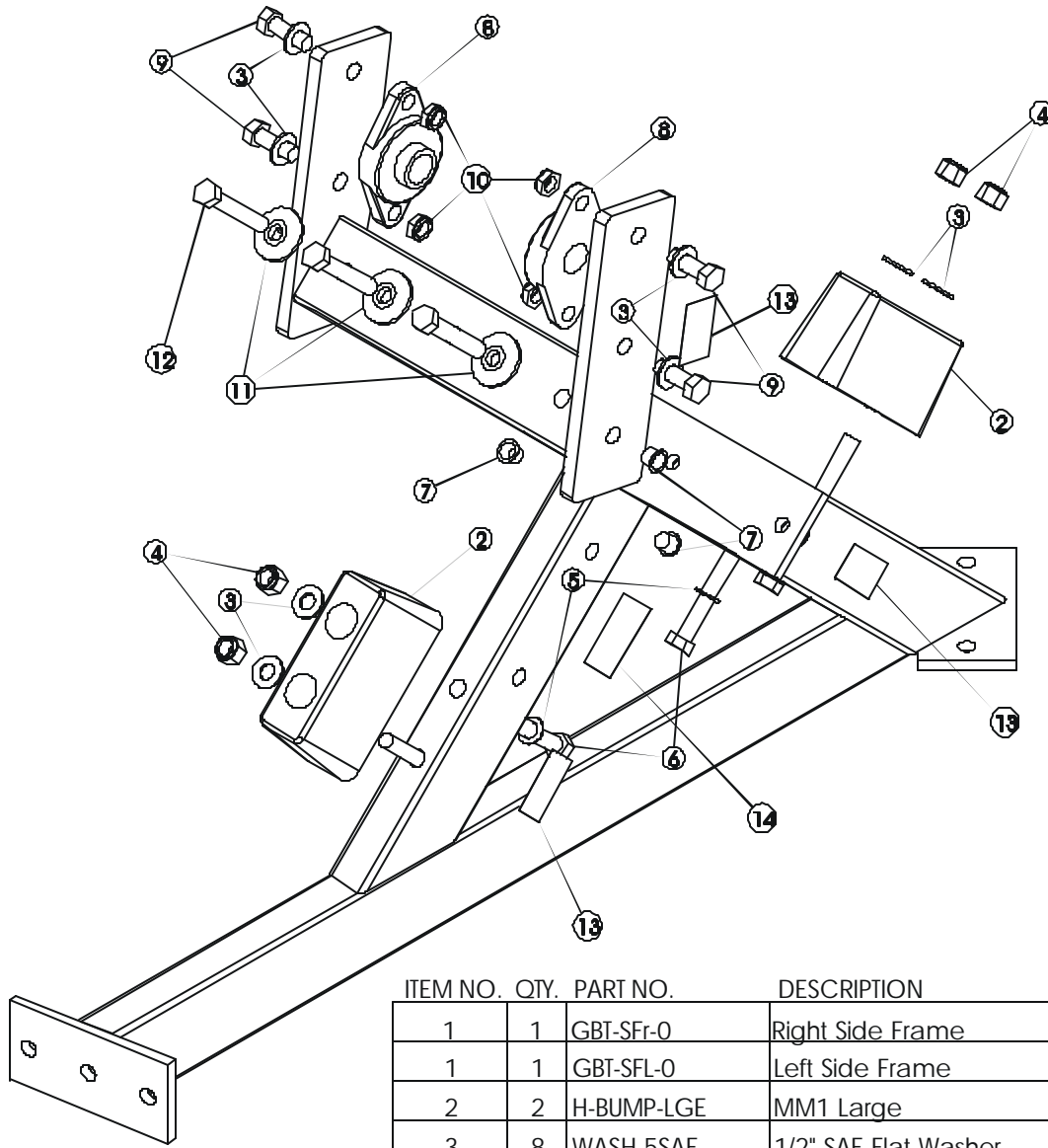
GBCT - Exploded Assembly



ITEM NO.	QTY.	PART NO.	DESCRIPTION
1	1	GBCT-CFX-0	Front Frame Assembly
2	1	GBCT-CSFL-0	Left Side Frame Assembly
3	1	GBCT-CSFR-0	Right Side Frame Assembly
4	1	GBCT-CHX-0	Front Upright Assembly
5	1	GBCT-CTX-0	Front C-Mem Assembly
6	1	GBCT-CMAL-1	Left Movement Arm Assembly
7	1	GBCT-CMAR-1	Right Movement Arm Assembly
8	12	WASH.5STAR	1/2" Internal Lock Washer
9	11	NUT.5LOCK	1/2" Thick Lock Nut
10	10	H-BACK-WASH	Backing Washer
11	11	HHB.5X3	1/2 X 3 Bolt

HAMMER STRENGTH EQUIPMENT

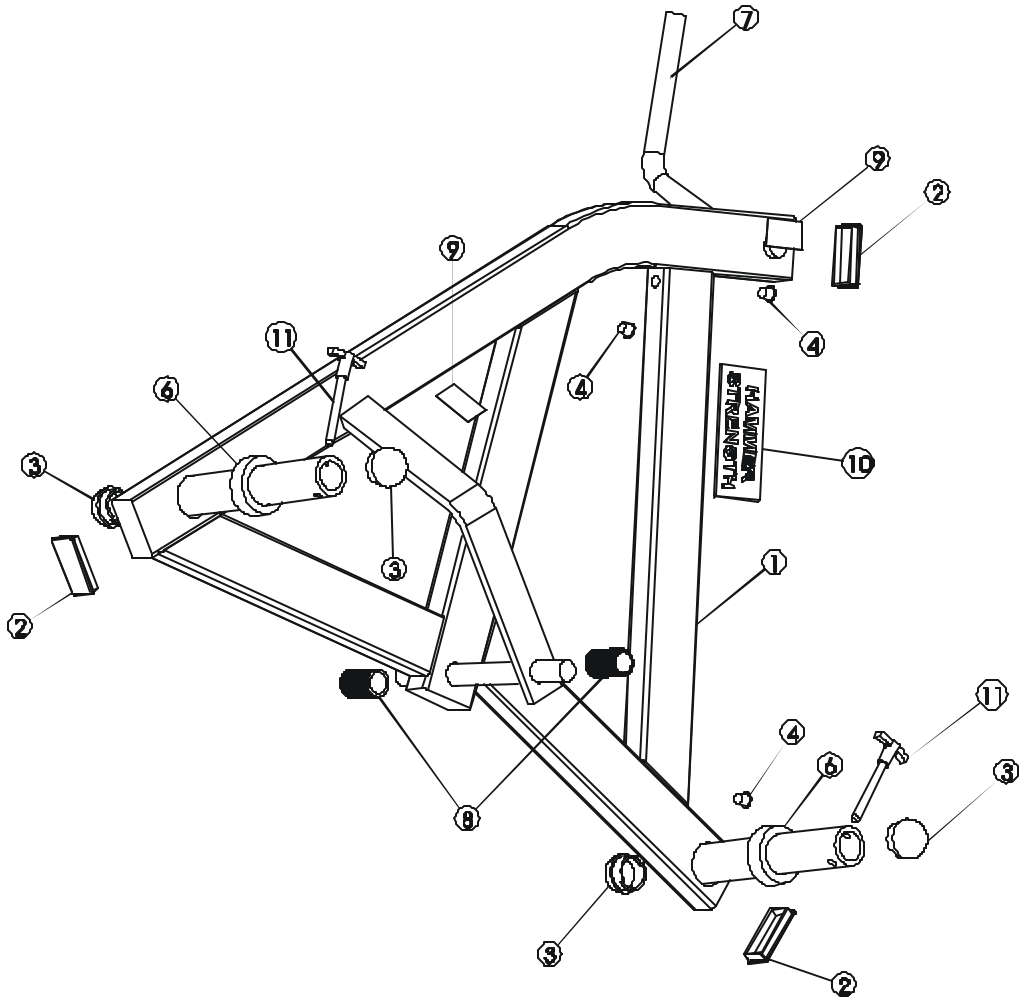
GBCT - Side Frame



ITEM NO.	QTY.	PART NO.	DESCRIPTION
1	1	GBT-SFr-0	Right Side Frame
1	1	GBT-SFL-0	Left Side Frame
2	2	H-BUMP-LGE	MM1 Large
3	8	WASH.5SAE	1/2" SAE Flat Washer
4	7	NUT.5LOCK	1/2" Thick Lock Nut
5	7	WASH.5STAR	1/2" Internal Lock Washer
6	4	HHB.5X5	1/2 X 5 Bolt
7	6	H-HPLUG	9/16" Hole Plug
8	2	H-BEAR-SML	Small Bearing
9	4	HHB.5X1.5	1/2 X 1 1/2 Bolt
10	4	NUT.5JAMLOCK	1/2" Thin Lock Nut
11	3	H-BACK-WASH	Backing Washer
12	3	HHB.5X3	1/2 X 3 Bolt
13	3	STAY CLEAR	Stay Clear Decal
14	1	SERIAL NUMBER	Serial Number
15	1	GBT-WB-0	Workbox

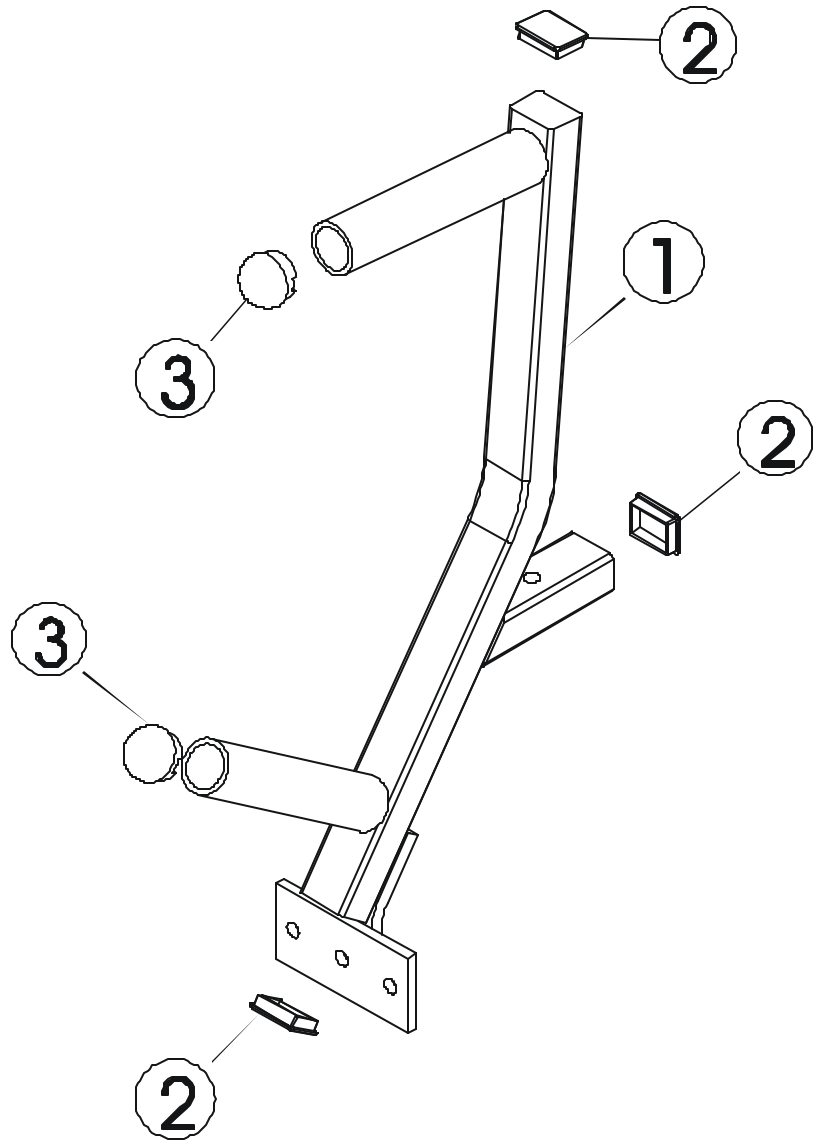
HAMMER STRENGTH EQUIPMENT

GBCT - Movement Arm



ITEM NO.	QTY.	PART NO.	DESCRIPTION
1	1	GBT-MARC-0	Movement Arm Right
1	1	GBT-MALC-0	Movement Arm Left
2	3	H-PEND3	1 1/2 X 3 End Cap
3	4	H-BENDCAP	Bullet Cap
4	3	H-HPLUG	9/16" Hole Plug
6	2	H-RUBRNG	MM5 Ring
7	1	H-GRIP(GBCT-A00)	HandGrip
8	2	ACCORDIAN	Shaft Guard
9	2	STAY CLEAR	Stay Clear Decal
10	1	H-NAMEPLATE	Name Plate
11	2	SELECTOR PIN-4	SELECTOR PIN 4 INCH

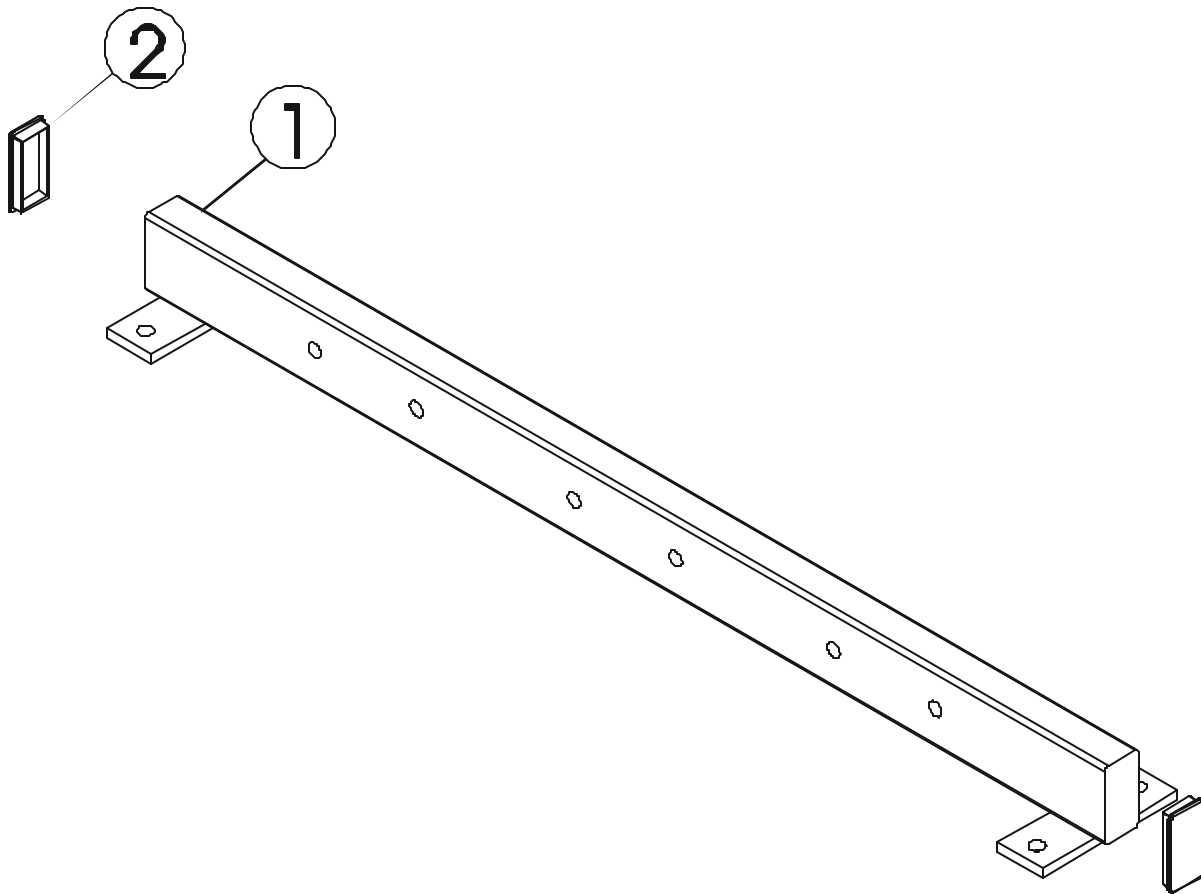
HAMMER STRENGTH EQUIPMENT
GBCT - Front Upright Frame



ITEM NO.	QTY.	PART NO.	DESCRIPTION
1	1	GBT-HX-0	Front Upright Frame
2	3	H-PEND2	1 1/2 X 2 Endcap
3	2	H-BENDCAP	Bullet Cap

HAMMER STRENGTH EQUIPMENT

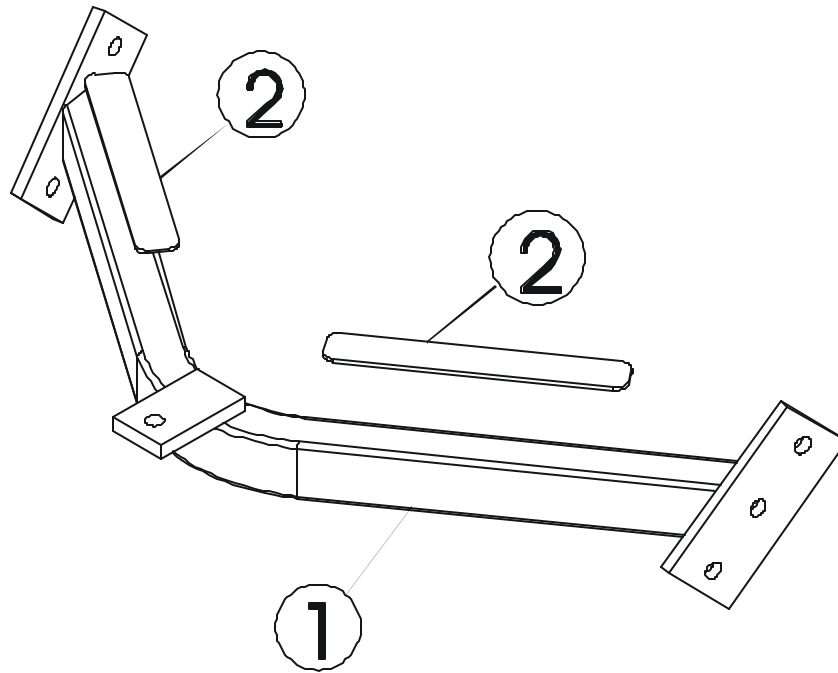
GBCT - Front Cross Member Sub Assembly



ITEM NO.	QTY.	PART NO.	DESCRIPTION
1	1	GBT-FX-0	Front C-mem SubAssembly
2	2	H-PEND3	1 1/2 X 3 End Cap

HAMMER STRENGTH EQUIPMENT

GBCT - Front Cross Member



ITEM NO.	QTY.	PART NO.	DESCRIPTION
1	1	GBT-TX-0	Front C-member
2	2	H-NONSKID1	1 1/4 X 9 Nonskid