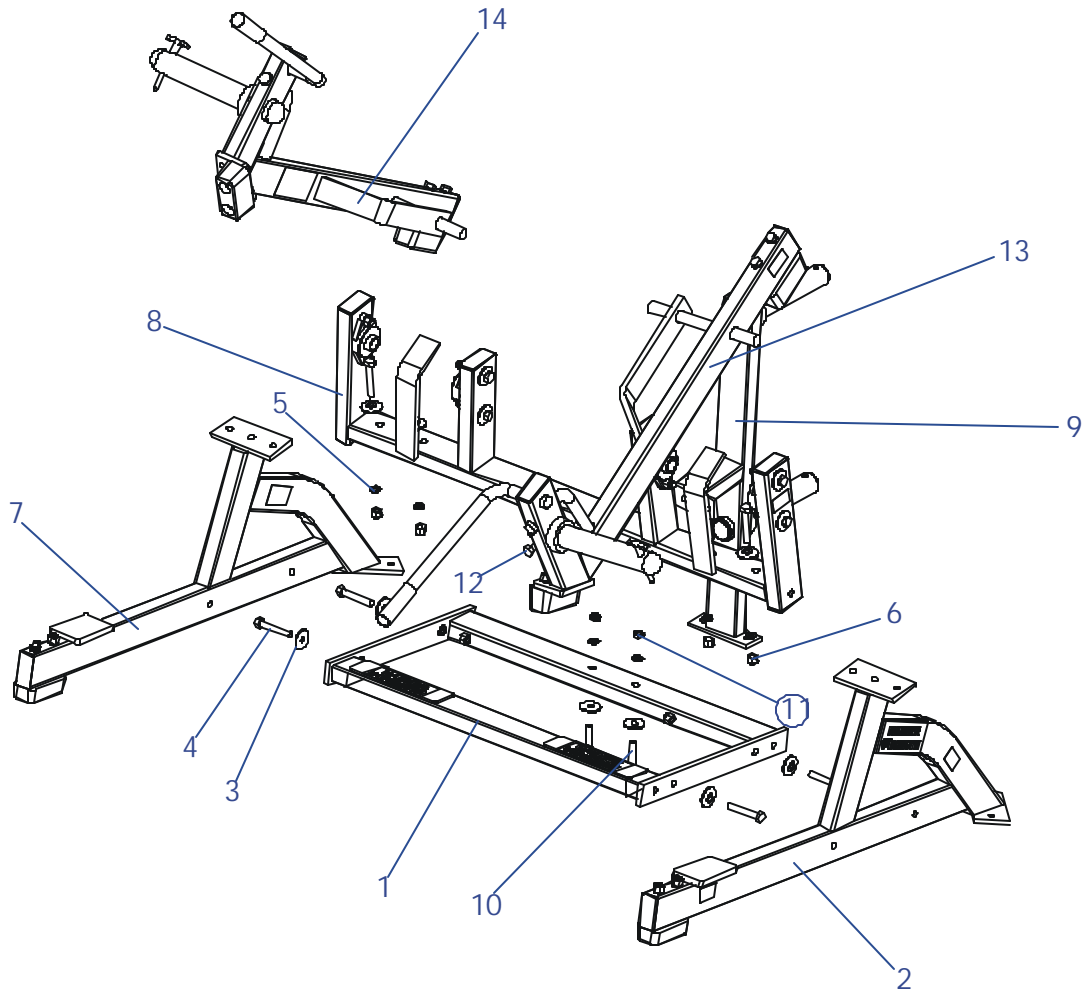


# GBSHP - Ground-Base Squat High Pull



| ITEM | QTY | PART NO      | DESCRIPTION                 |
|------|-----|--------------|-----------------------------|
| 1    | 1   | GBSHP-CBX-0  | Base frame assembly         |
| 2    | 1   | GBSHP-CSFL-0 | Left side frame assembly    |
| 3    | 10  | H-BACK-WASH  | Backing washer              |
| 4    | 8   | HHB.5x3      | 1/2x3bolt                   |
| 5    | 12  | WASH.5STAR   | 1/2" Internal lock washer   |
| 6    | 10  | NUT.5LOCK    | 1/2" Thick lock nut         |
| 7    | 1   | GBSHP-CSFR-0 | Right side frame assembly   |
| 8    | 1   | GBSHP-CTX-0  | Top cross frame assembly    |
| 9    | 1   | GBSHP-CMX-0  | Weight tree assembly        |
| 10   | 2   | HHB.5x2.5    | 1/2x2-1/2 bolt              |
| 11   | 2   | NUT.5JAMLOCK | 1/2" Thin lock nut          |
| 12   | 2   | HHB.5x4      | 1/2x4 bolt                  |
| 13   | 1   | GBSHP-CMAL-0 | Left movement arm assembly  |
| 14   | 1   | GBSHP-CMAR-0 | Right movement arm assembly |