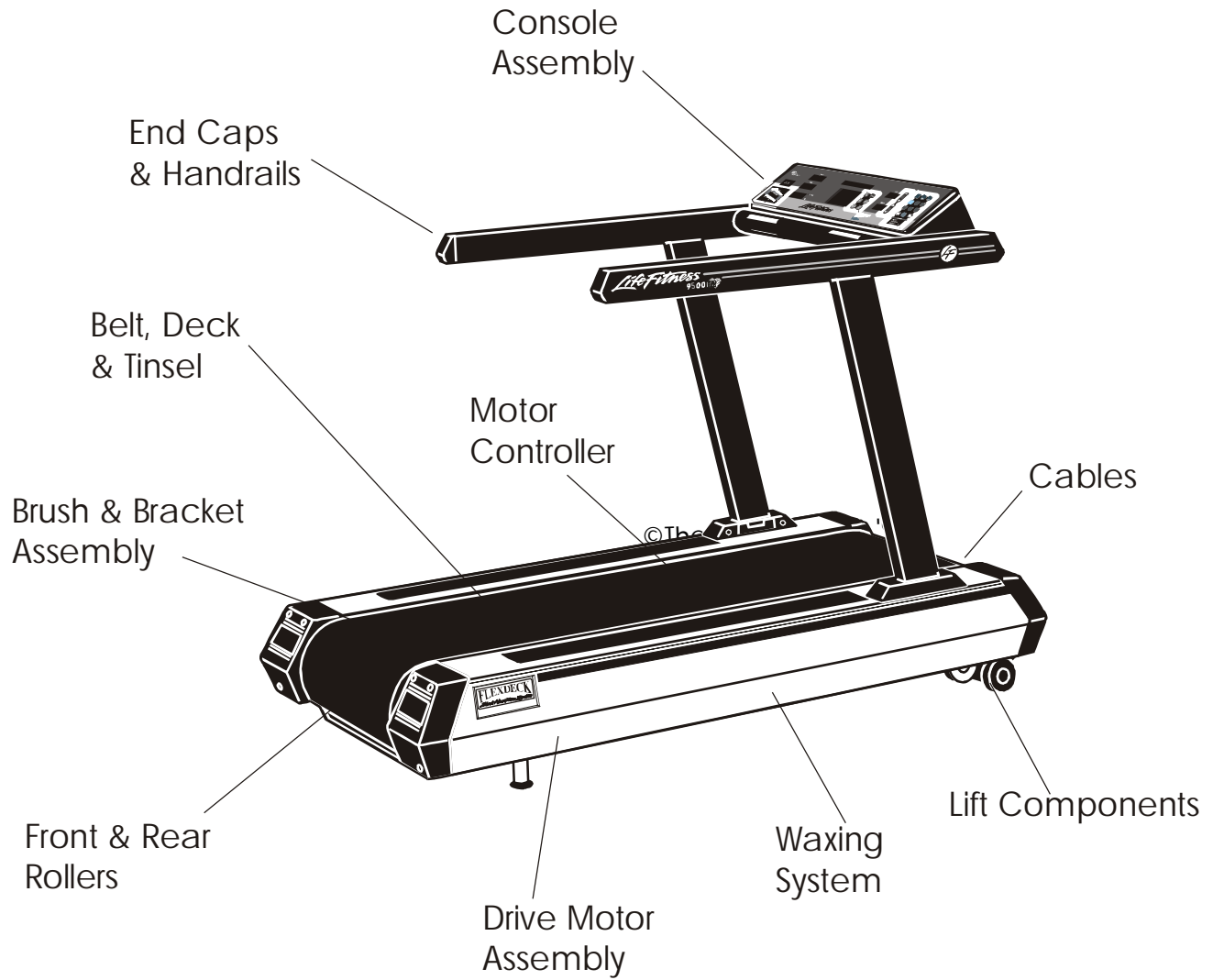


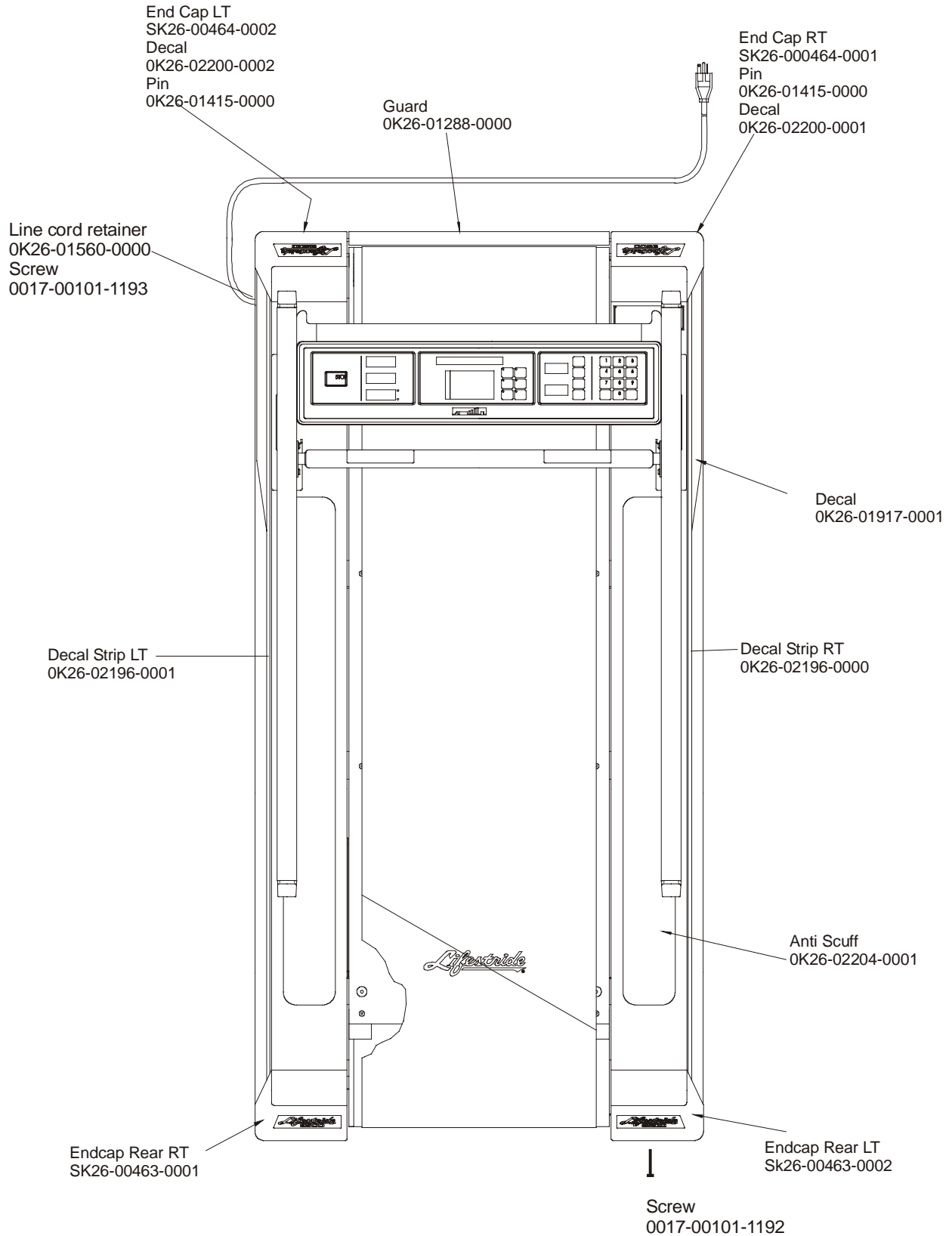
TR9500HRT
General Assembly

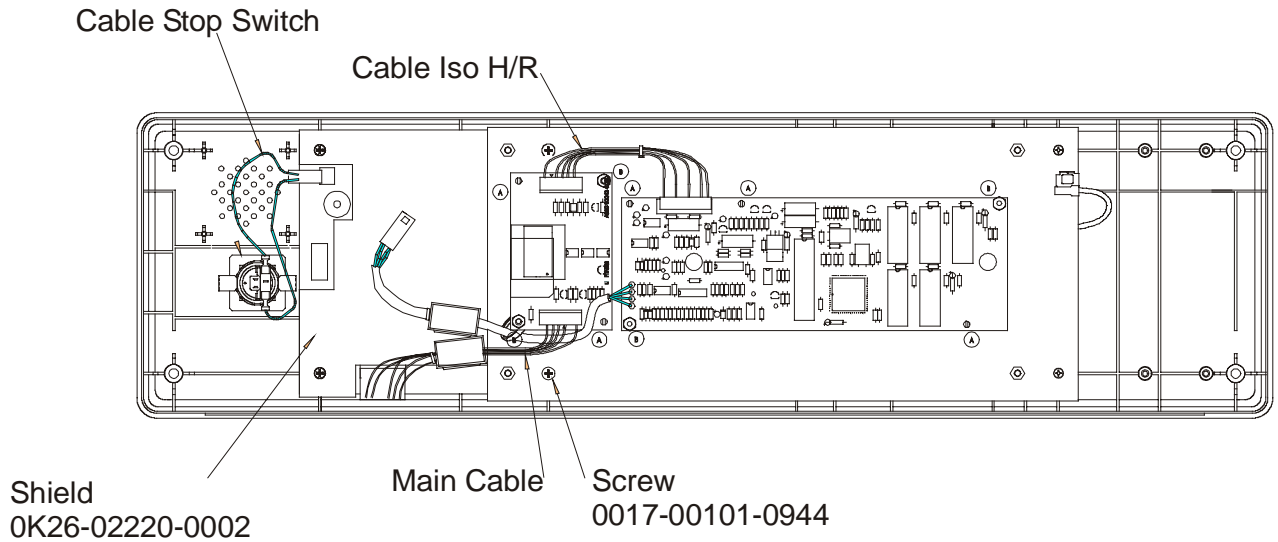
GK26-00021-XXXX
S/N 307688-309478



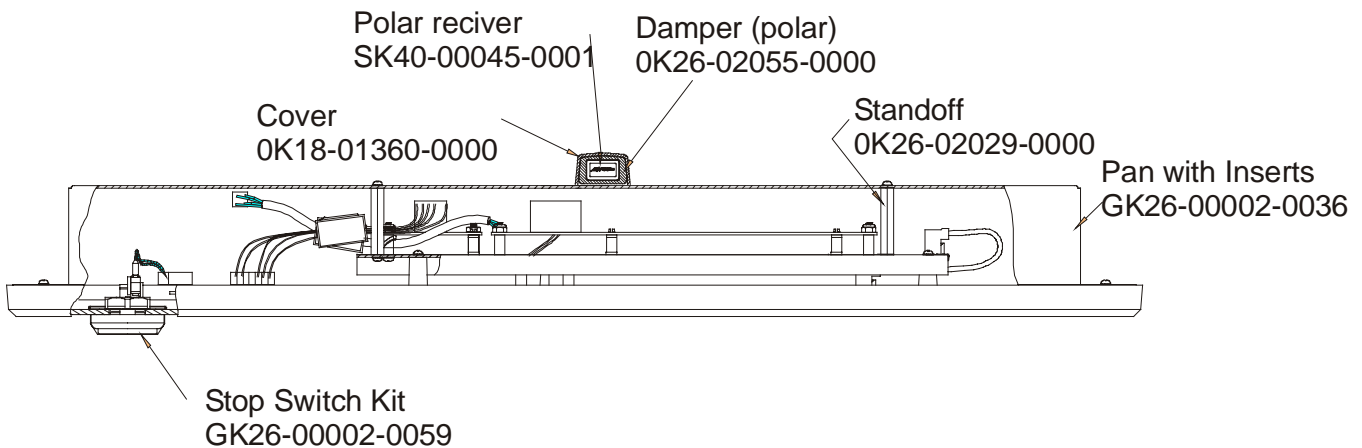
TR9500HRT
End Caps & Handrails

GK26-00021-XXXX
S/N 307688-309478



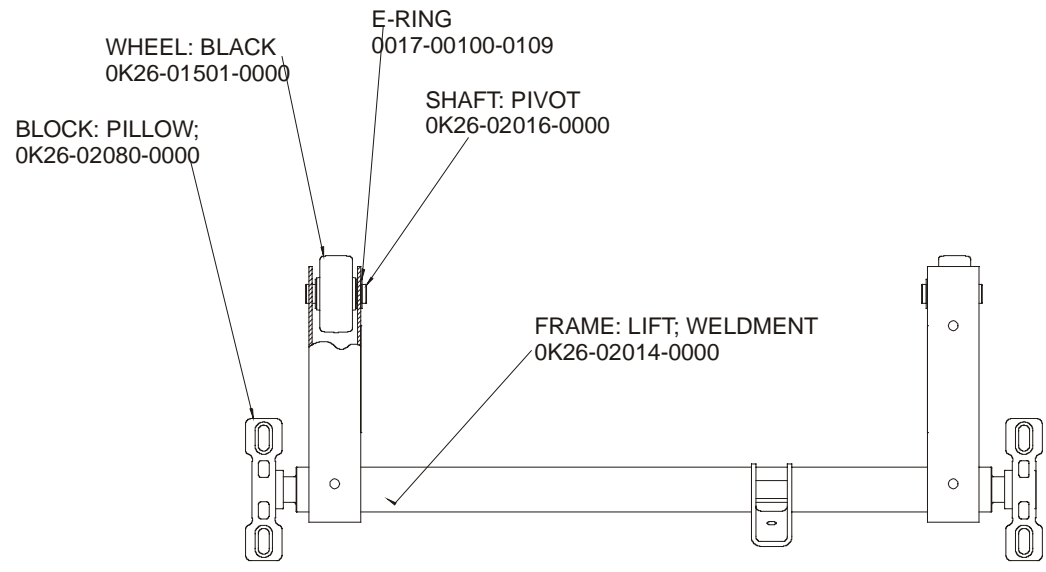
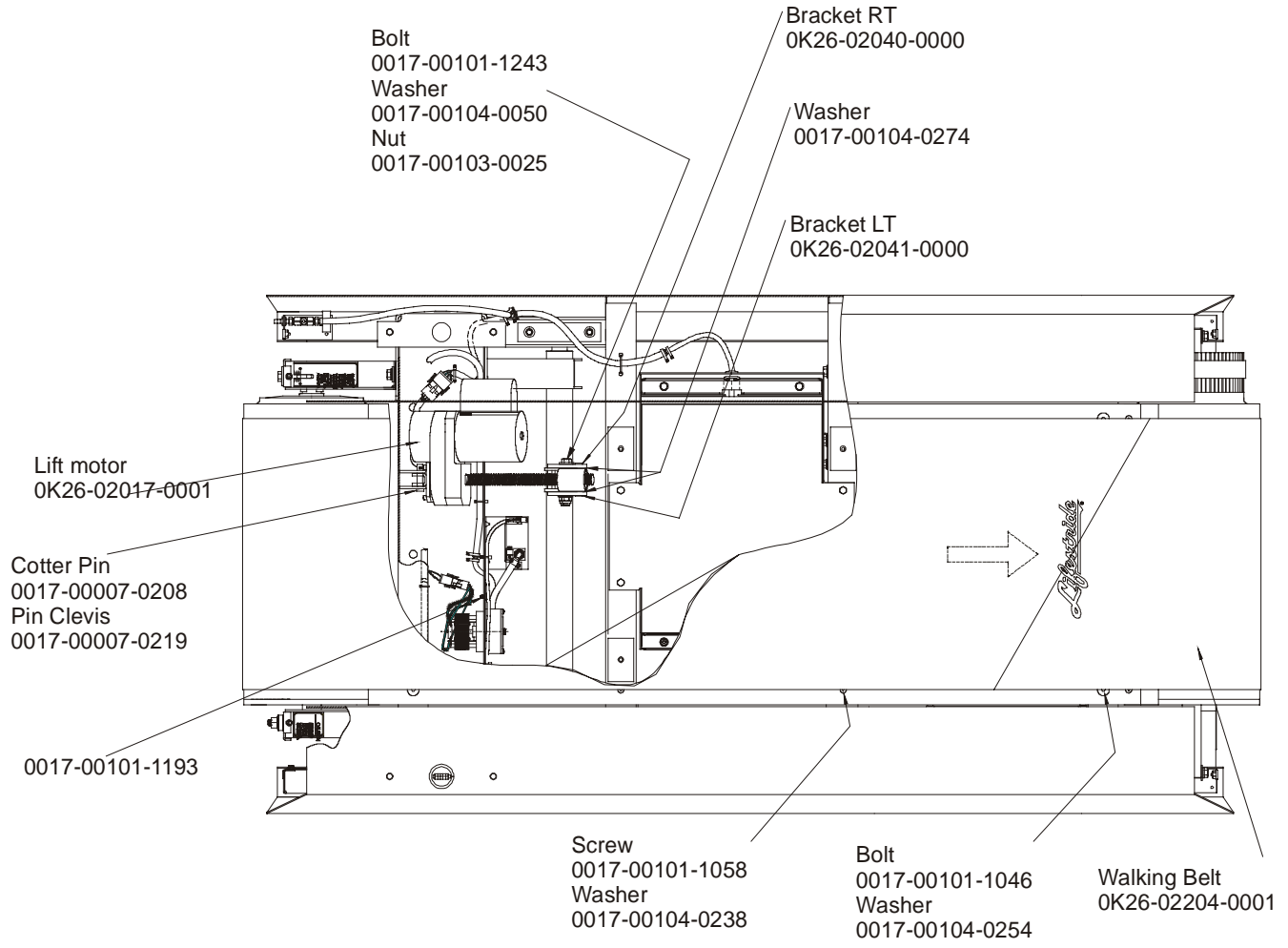


- | | |
|-----------------|-----------------|
| Console | Overlay Bezel |
| AK26-00613-0001 | AK26-00643-0001 |
| AK26-00613-0002 | AK26-00643-0002 |
| AK26-00613-0003 | AK26-00643-0003 |
| AK26-00613-0004 | AK26-00643-0004 |
| AK26-00613-0005 | AK26-00643-0005 |
| AK26-00613-0006 | AK26-00643-0006 |
| AK26-00613-0007 | AK26-00643-0007 |
| AK26-00613-0010 | AK26-00643-0010 |
| AK26-00613-0017 | AK26-00643-0017 |



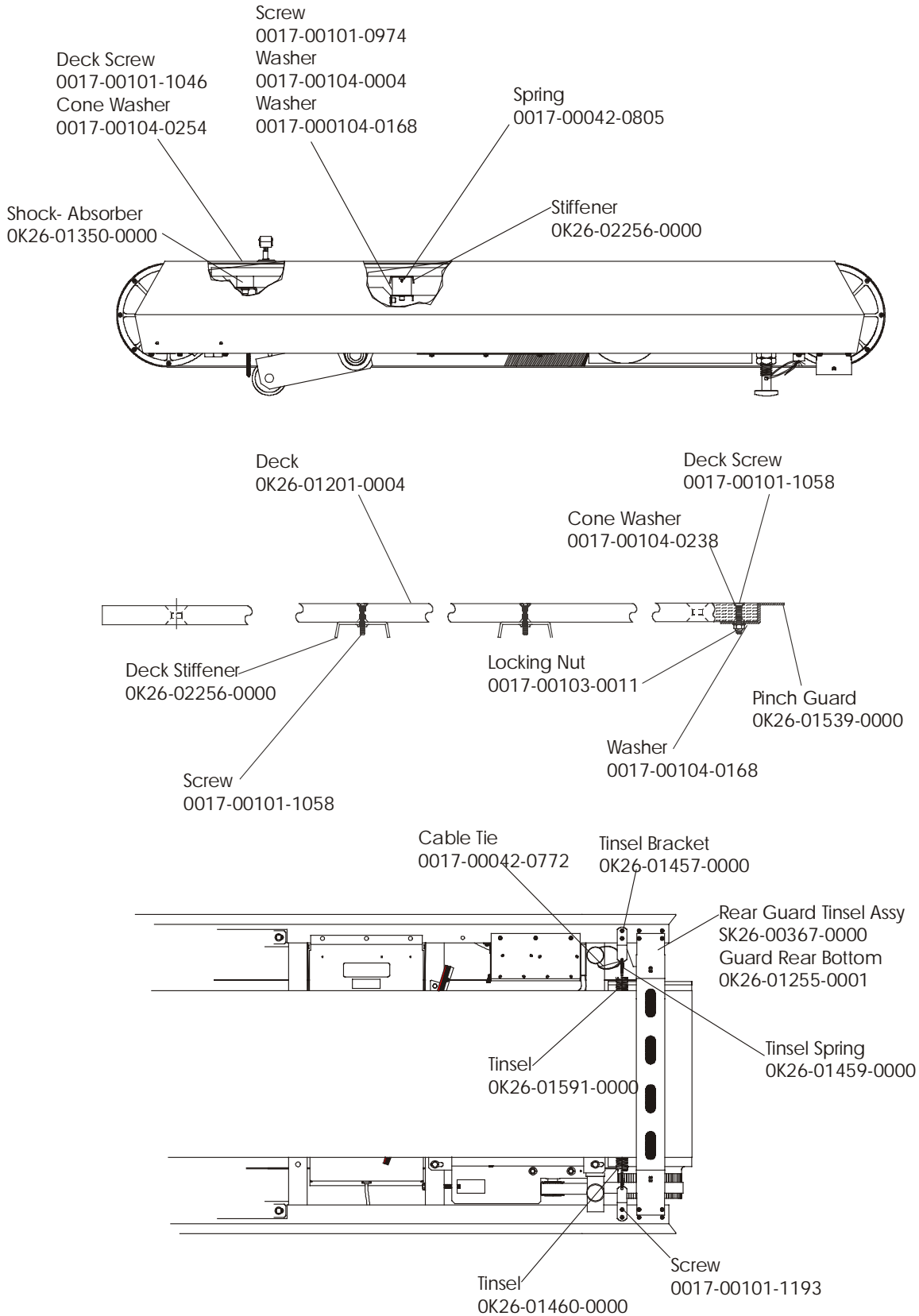
TR9500HRT
Lift Components

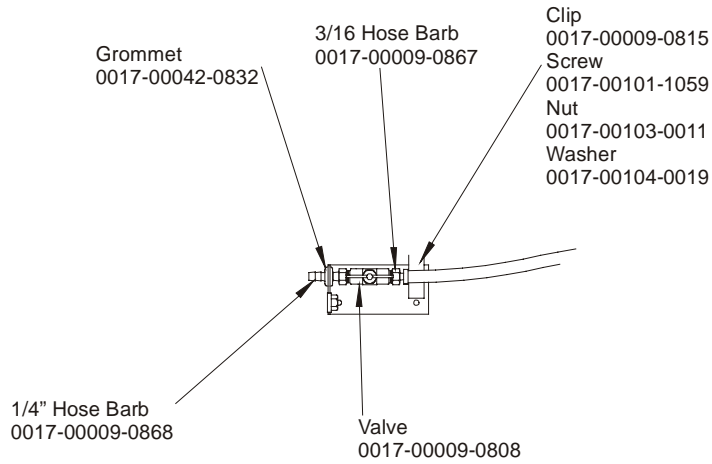
GK26-00021-XXXX
S/N 307688-309478



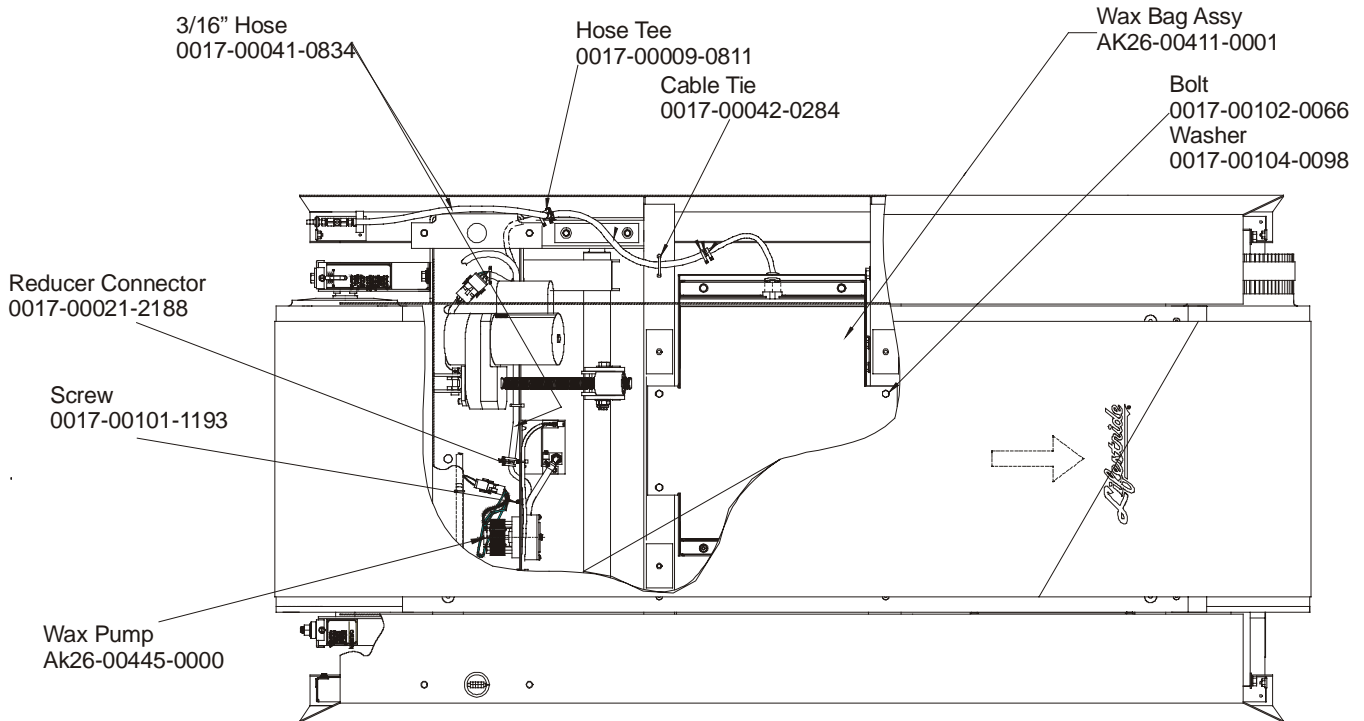
TR9500HRT
Belt, Deck, & Tinsel

GK26-00021-XXXX
S/N 307688-309478



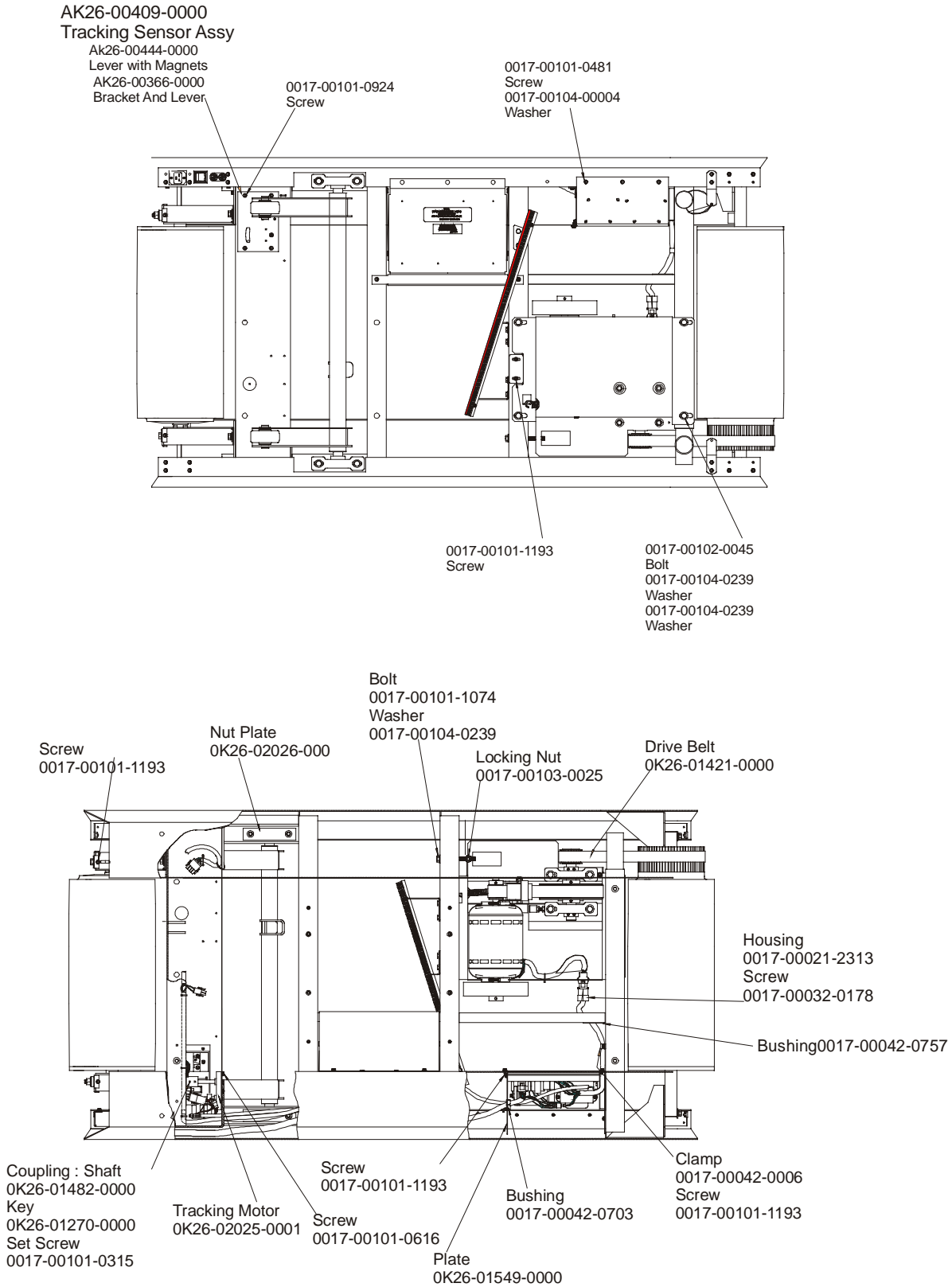


Waxer Fill Kit GK26-00002-0054

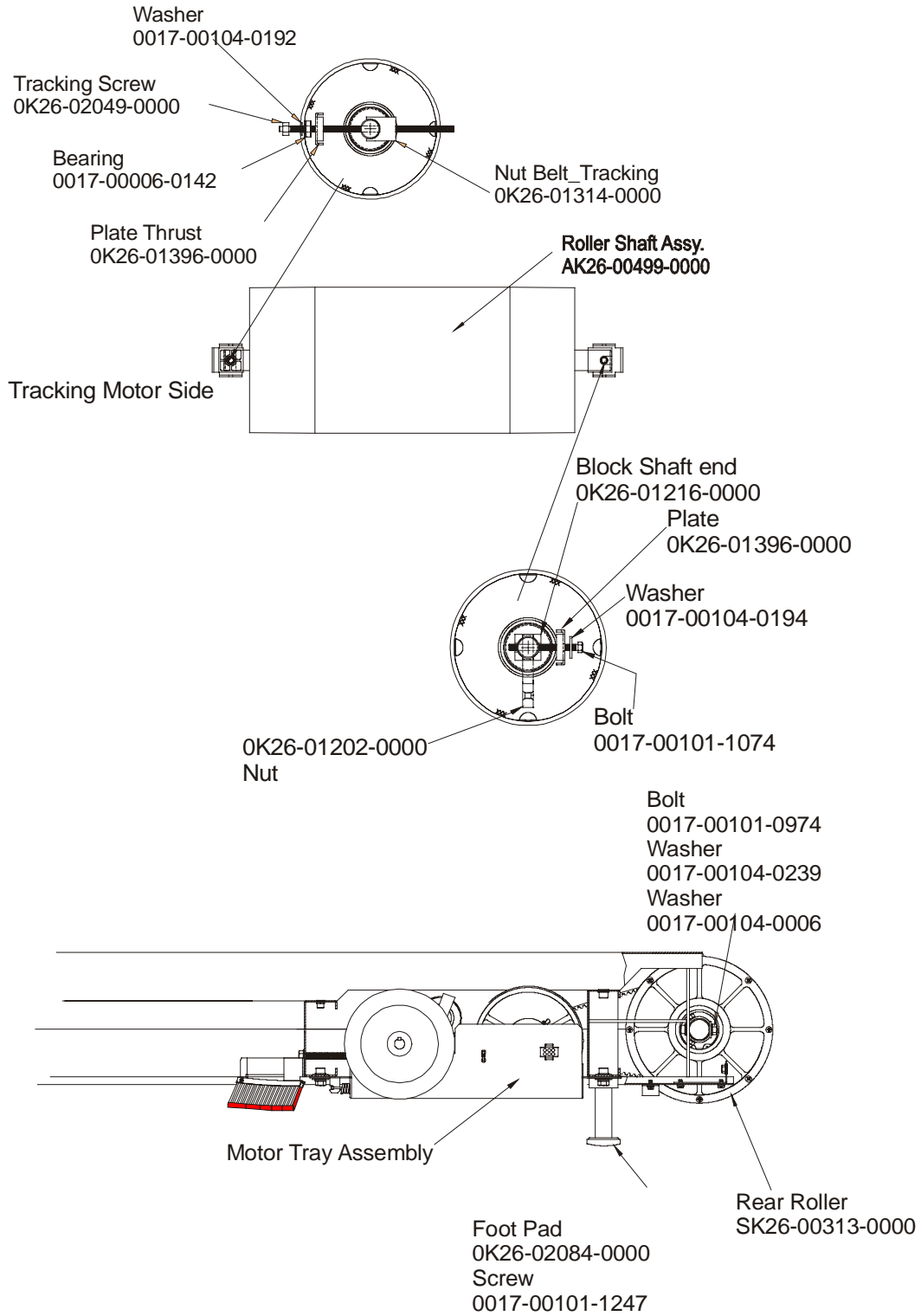


TR9500HRT
Motor Controller/Tracking Assembly

GK26-00021-XXXX
S/N 307688-309478

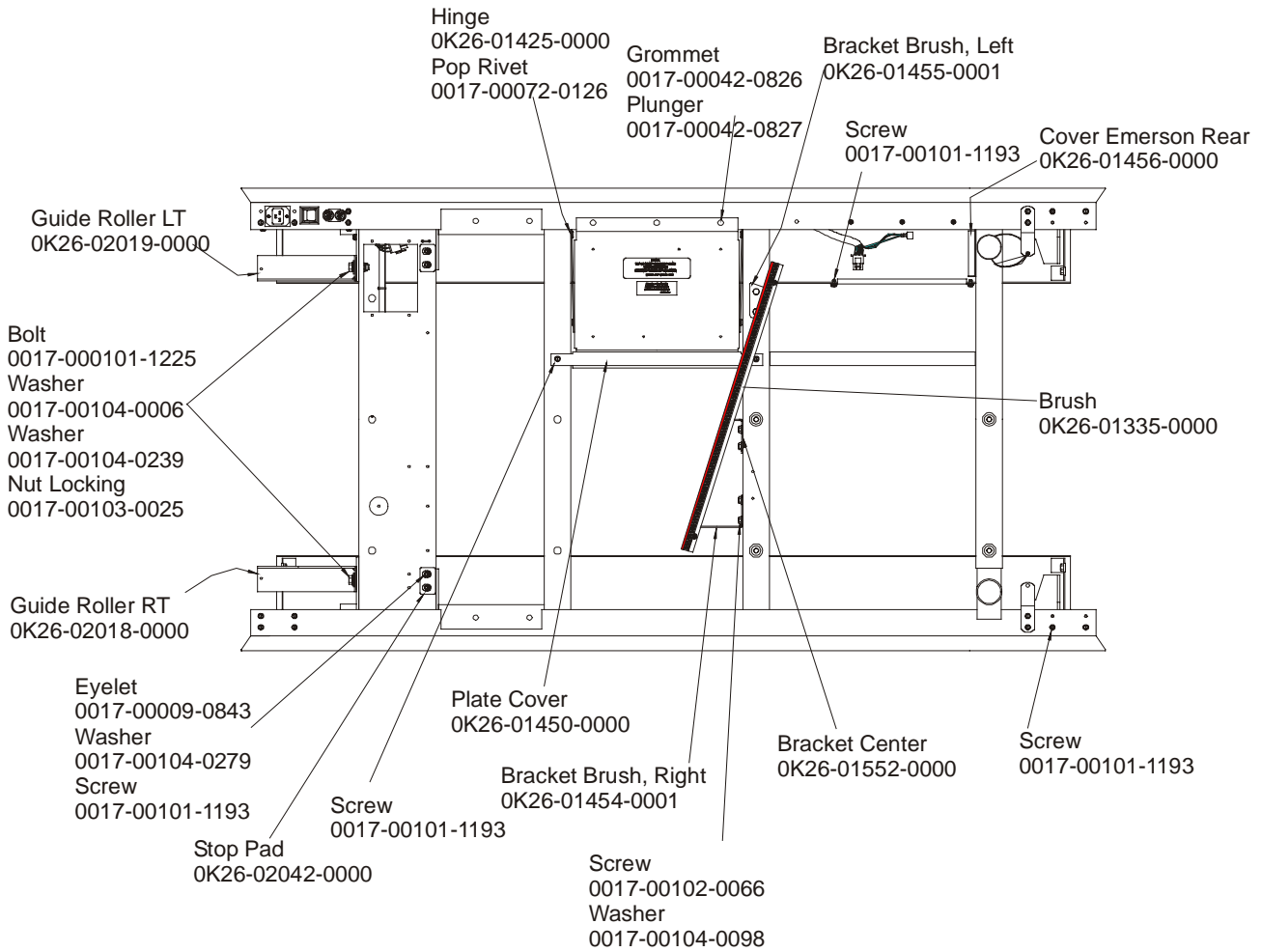
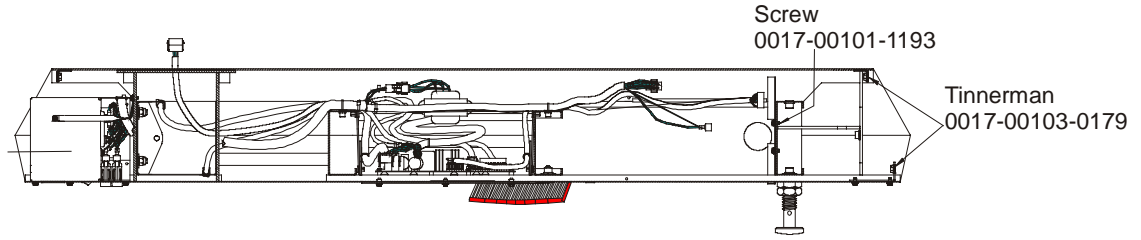


AK26-00499-0000 ROLLER/SHAFT ASSEMBLY FRONT (MFG)



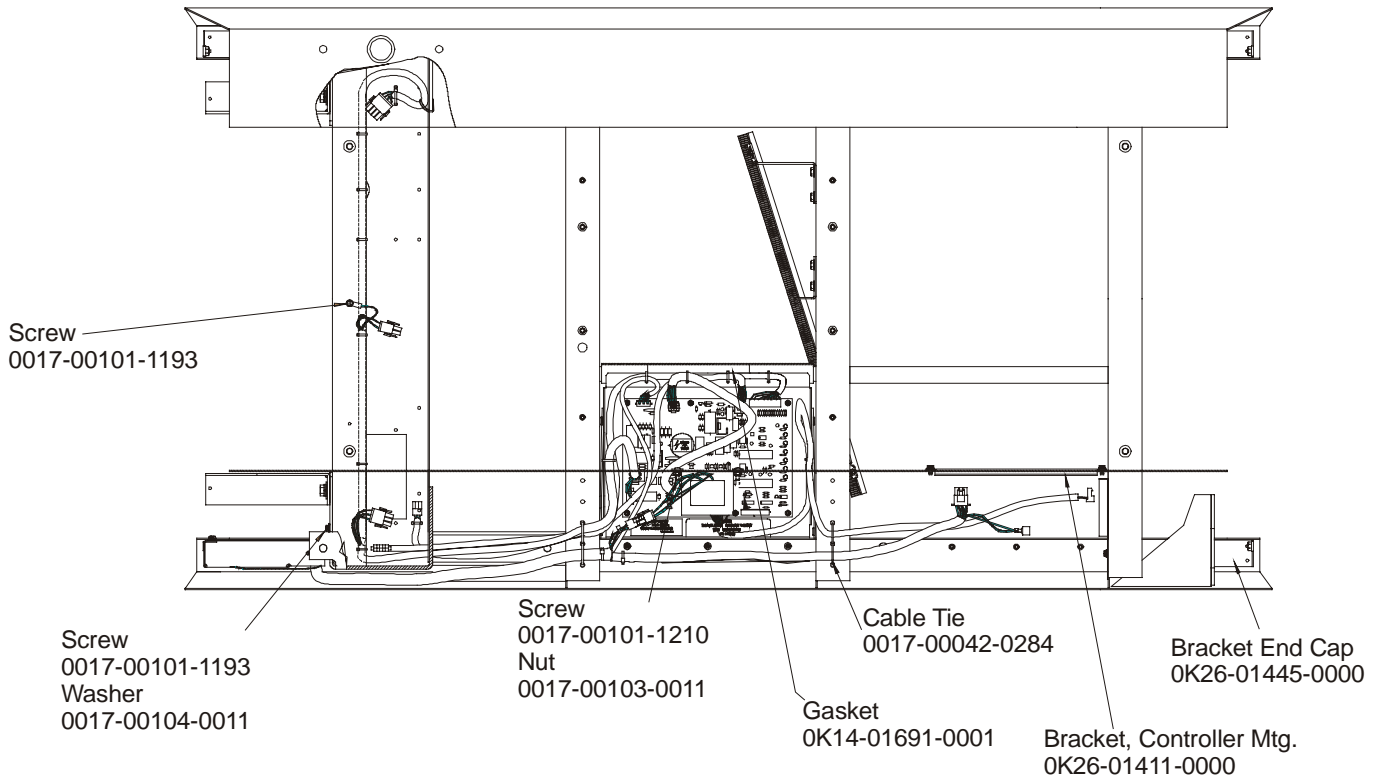
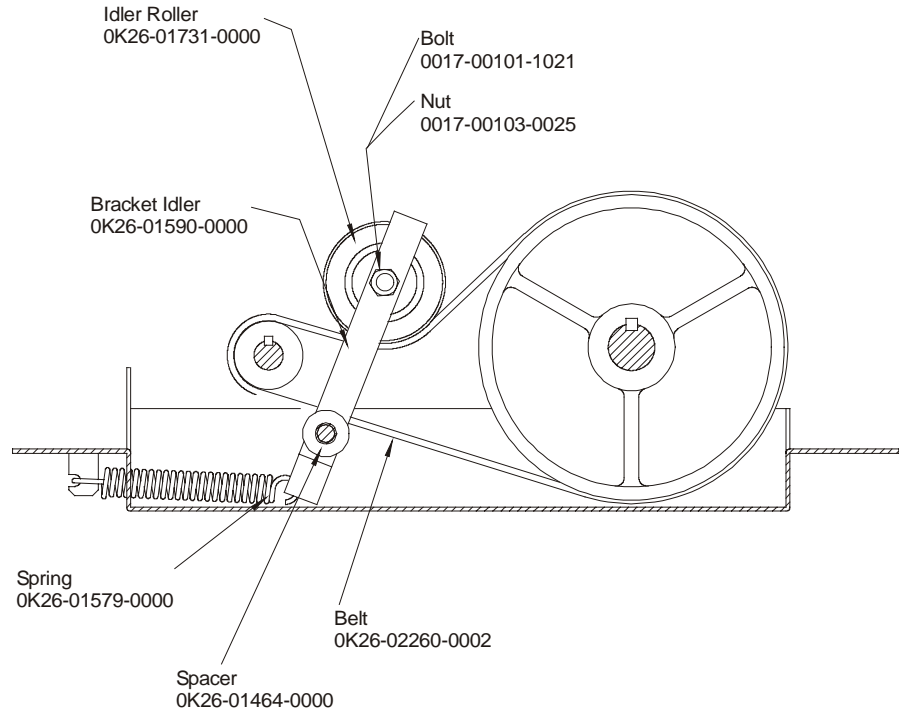
TR9500HRT
Brush and Bracket Assembly

GK26-00021-XXXX
S/N 307688-309478



TR9500HRT
Drive Motor Assy – AK26-00408-0001

GK26-00021-XXXX
S/N 307688-309478



TR9500HRT
Cables

GK26-00021-XXXX
S/N 307688-309478

