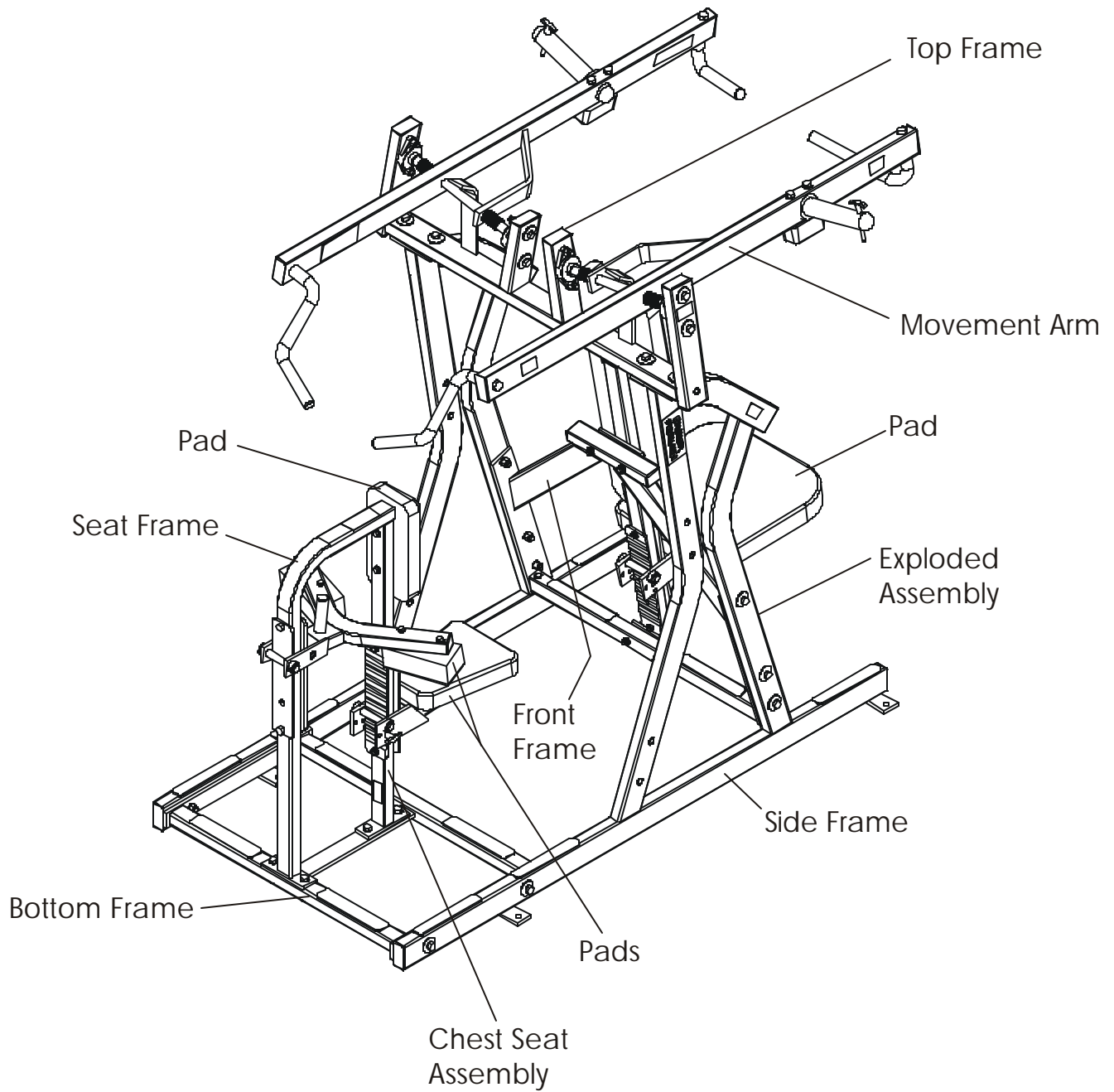


# HAMMER STRENGTH EQUIPMENT

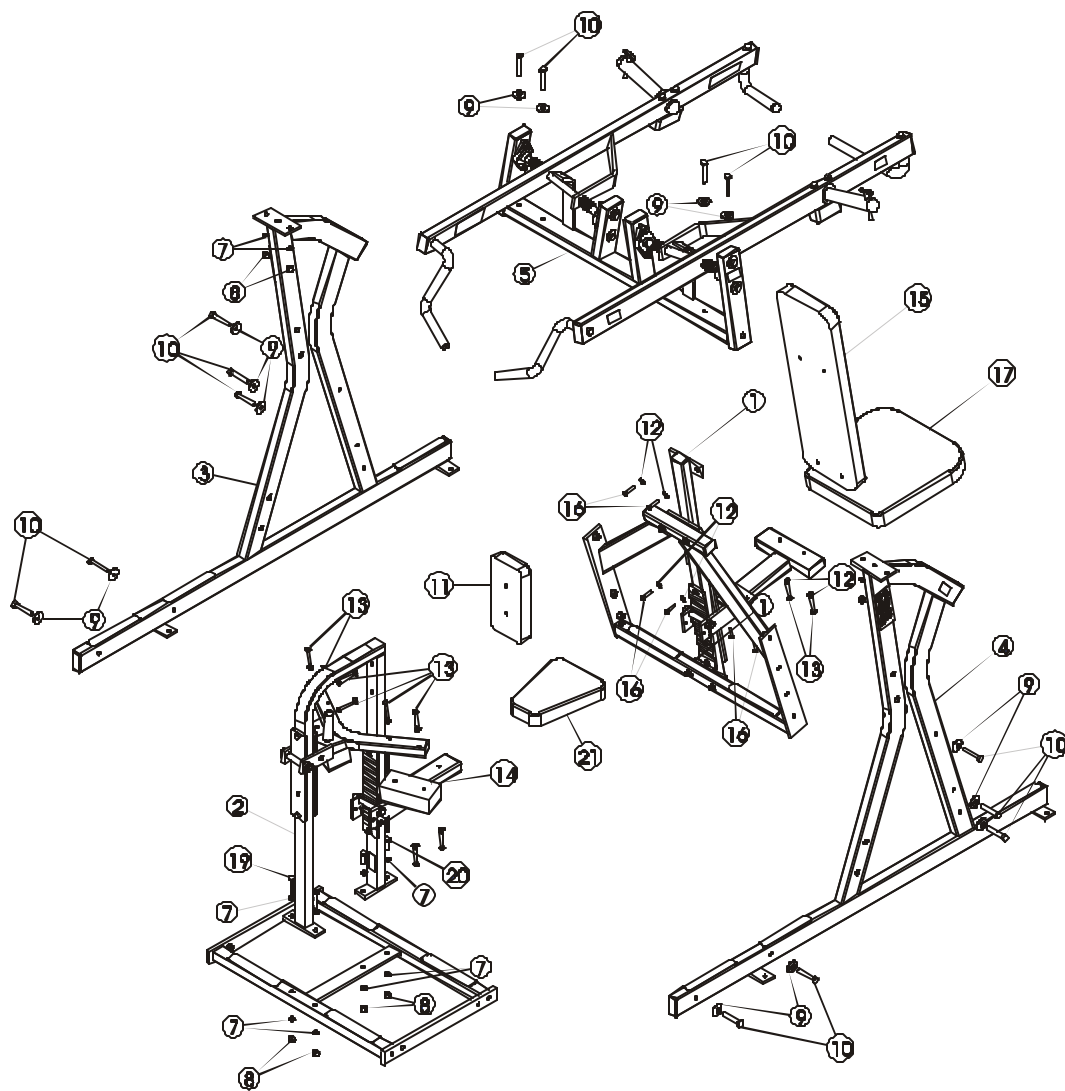
## ILCB - ISO Lateral Chest Back Rev. A

---



# HAMMER STRENGTH EQUIPMENT

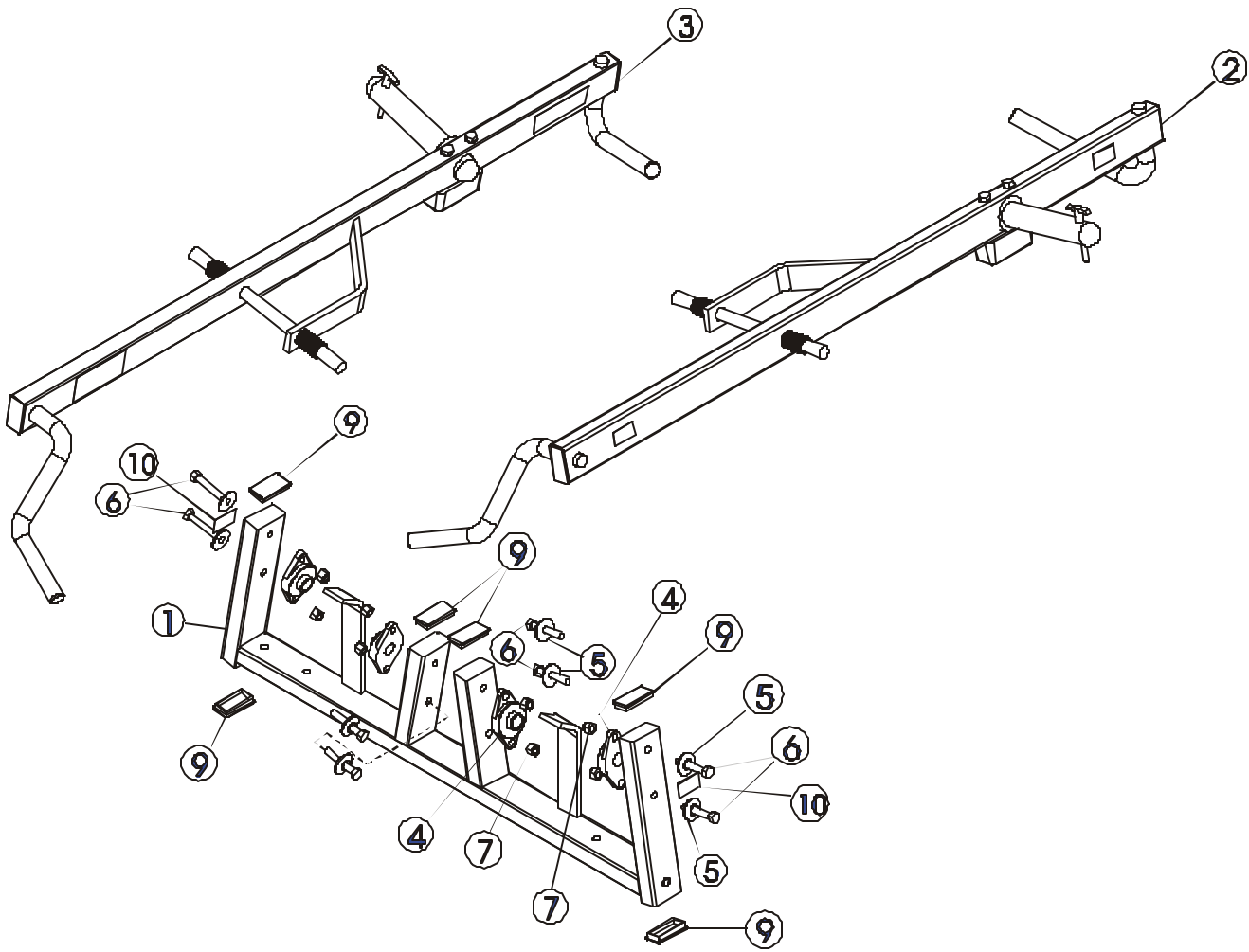
## ILCB - Exploded Assembly



ITEM NO.	QTY.	PART NO.	DESCRIPTION
1	1	ILCB-CFX-0	Front Frame Assembly
2	1	ILCB-CST-0	Back Seat Assembly
3	1	ILCB-CSFR-0	Right Side Frame Assembly
4	1	ILCB-CSFL-0	Left Side Frame Assembly
5	1	ILCB-CTX-0	Marm Workbox Asm
6	1	ILCB-CBX-0	Bottom Frame Assembly
7	22	WASH.5STAR	1/2" Internal Lock Washer
8	18	NUT.5LOCK	1/2" Thick Lock Nut
9	14	H-BACK-WASH	Backing Washer
10	14	HHB.5X3	1/2 X 3 Bolt
11	1	U12-4.5 S-WC	12" Rectangular Pad
12	16	WASH.375SAE	3/8" SAE Flat Washer
13	10	HHB.375X2.5	3/8 X 2 1/2 Bolt
14	2	U4W	Knee Pad
15	1	U33-19	Standard 33" Pad
16	6	HHB.375X1.5	3/8 X 1 1/2 Bolt
17	1	U16-11	Standard 16" Pad
19	2	HHB.5X2.5	1/2 X 2 1/2 Bolt
20	2	HHB.5X1.5	1/2 X 1 1/2 Bolt
21	1	U12-5	12" Triangular Pad

# HAMMER STRENGTH EQUIPMENT

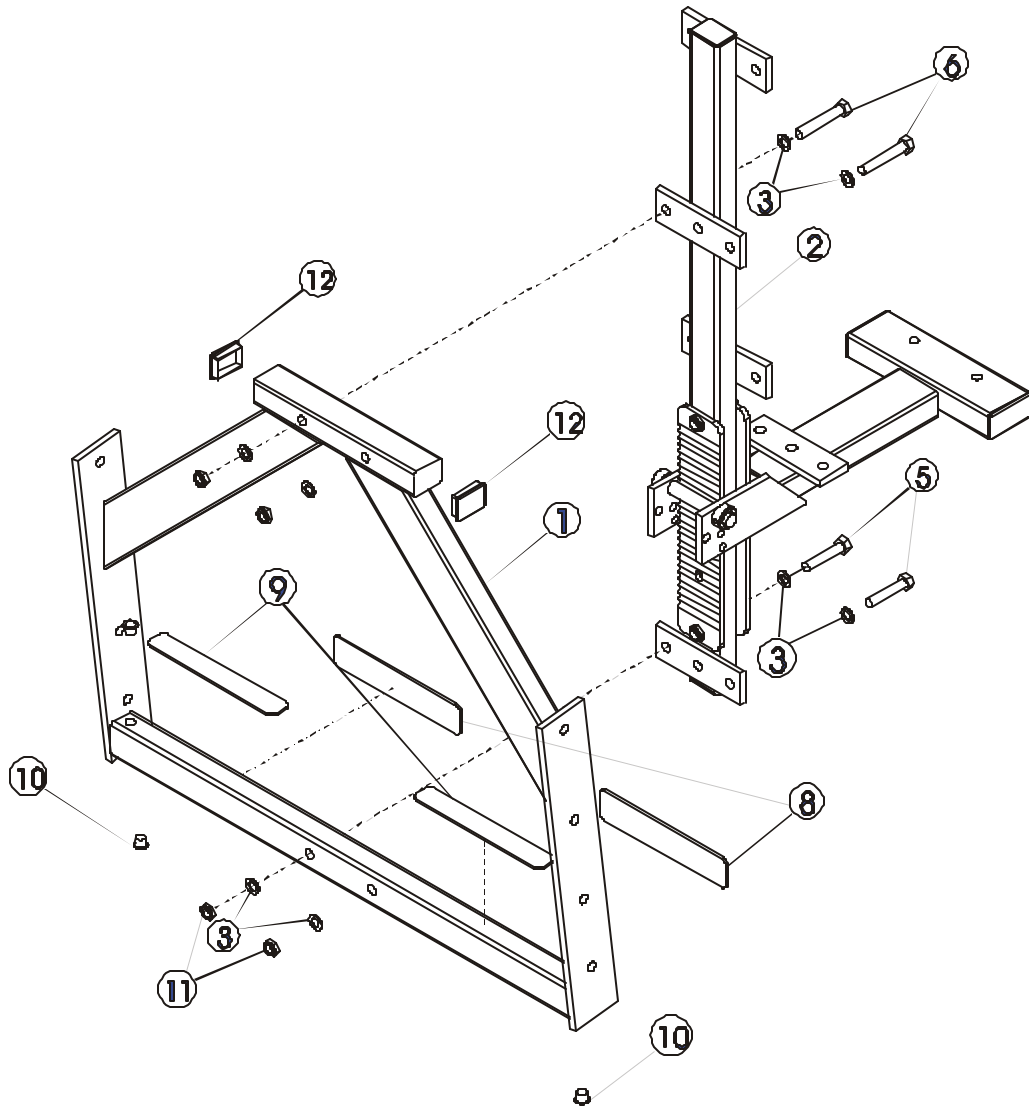
## ILCB - Top Frame



ITEM NO.	QTY.	PART NO.	DESCRIPTION
1	1	ILCB-TX-0	Top Frame
2	1	ILCB-CMAL-0	Left Marm Asm
3	1	ILCB-CMAR-0	Right Marm Asm
4	4	H-BEAR-SML	Small Bearing
5	8	H-BACK-WASH	Backing Washer
6	8	HHB.5X3	1/2 X 3 Bolt
7	8	NUT.5LOCK	1/2" Thick Lock Nut
8	2	1-2holeplug	1/2" Hole Plug
9	6	H-PEND3	1 1/2 X 3 End Cap
10	2	STAY CLEAR	Stay Clear Decal

# HAMMER STRENGTH EQUIPMENT

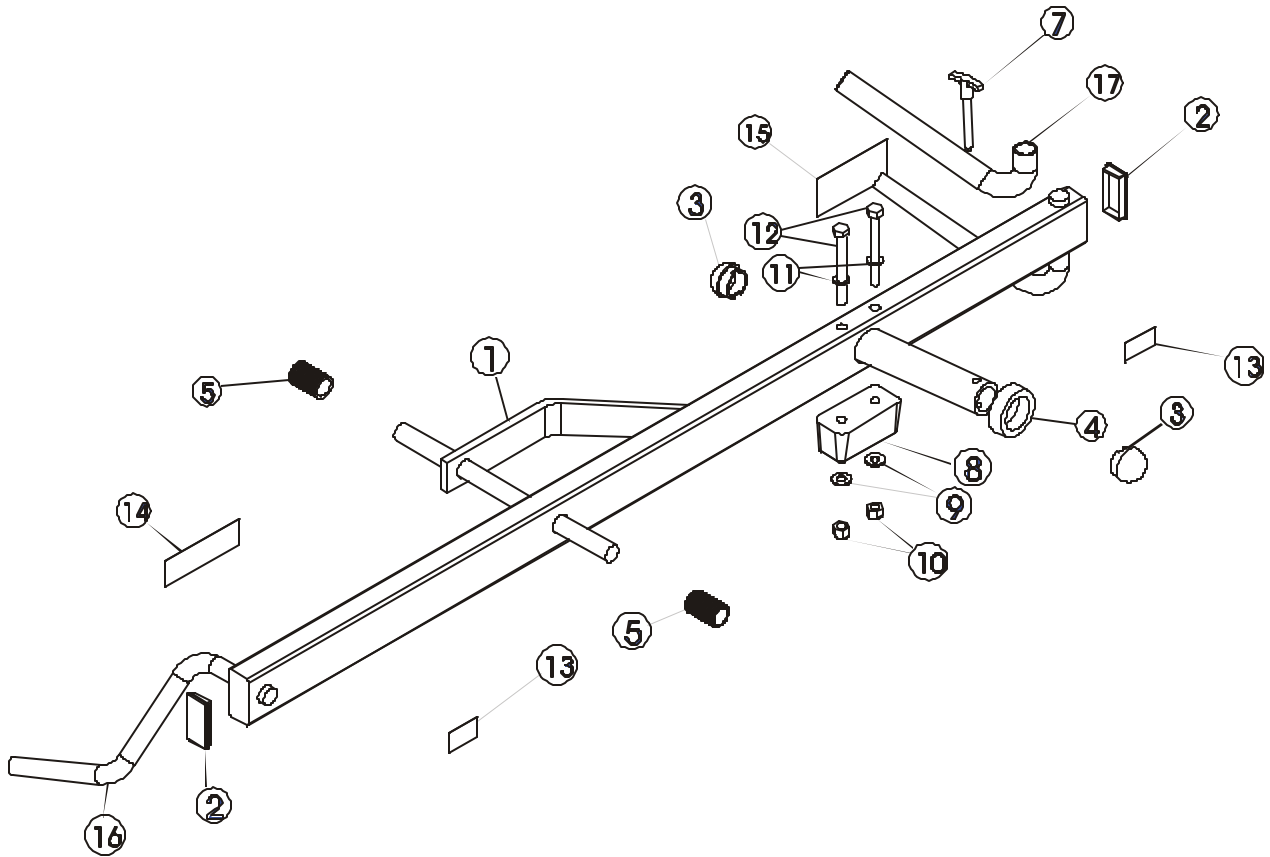
## ILCB - Front Frame



ITEM NO.	QTY.	PART NO.	DESCRIPTION
1	1	ILCB-FX-0	Front Frame
2	1	ILCB-CST2-0	Chest Seat Assembly
3	8	WASH.5STAR	1/2" Internal Lock Washer
5	2	HHB.5X2.5	1/2 X 2 1/2 Bolt
6	2	HHB.5X3	1/2 X 3 Bolt
8	2	H-NONSKID2	1 3/4 X 9 Nonskid
9	2	H-NONSKID1	1 1/4 X 9 Nonskid
10	4	H-HPLUG	9/16" Hole Plug
11	4	NUT.5JAMLOCK	1/2" Thin Lock Nut
12	2	H-PEND2	1 1/2 X 2 Endcap

# HAMMER STRENGTH EQUIPMENT

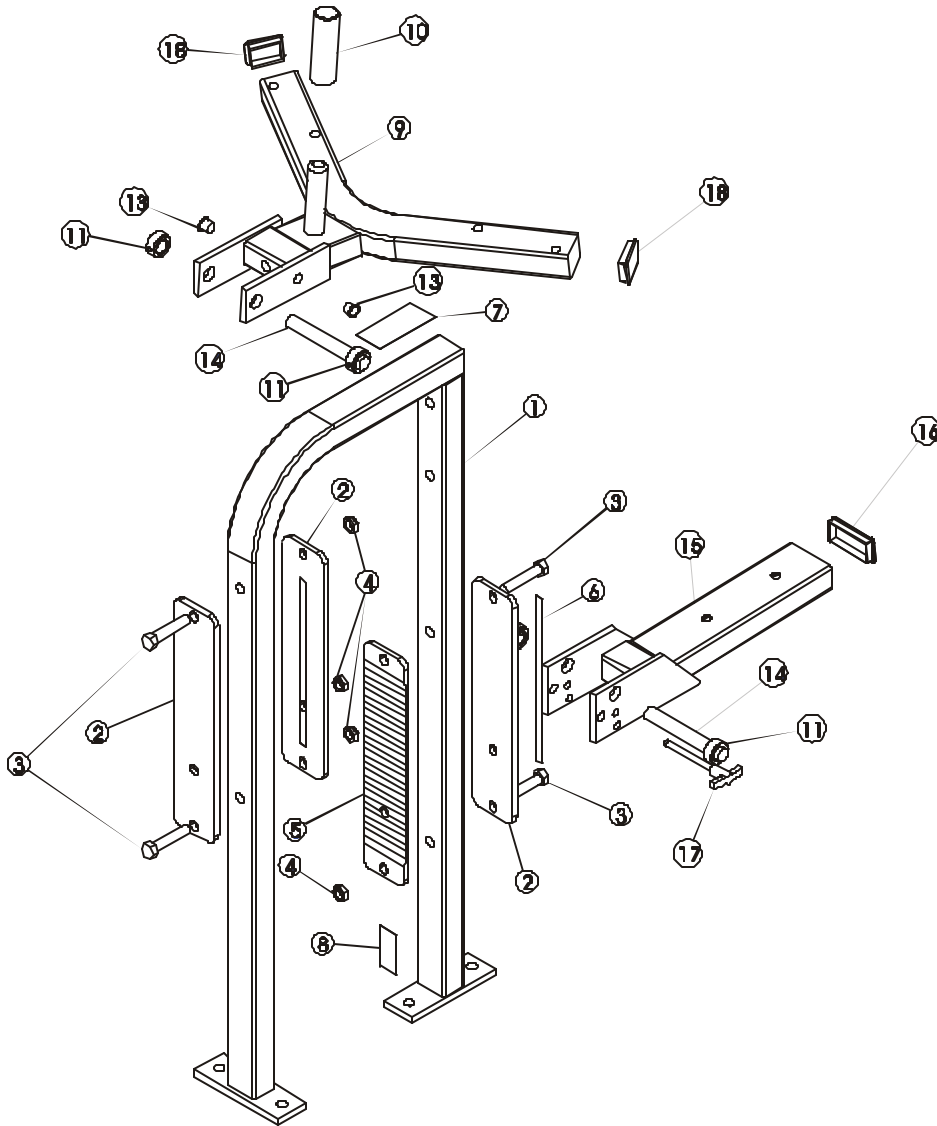
## ILCB - Movement Arm



ITEM NO.	QTY.	PART NO.	DESCRIPTION
1	1	ILCB-MAL-0	Left Movement Arm
2	2	H-PEND3	1 1/2 X 3 End Cap
3	2	H-BENDCAP	Bullet Cap
4	1	H-RUBRNG	MM5 Ring
5	2	ACCORDIAN	Shaft Guard
7	1	SELECTORPIN-4	Selector Pin
8	1	H-BUMP-MED	MM2 Medium
9	2	WASH.5SAE	1/2" SAE Flat Washer
10	2	NUT.5LOCK	1/2" Thick Lock Nut
11	2	WASH.5STAR	1/2" Internal Lock Washer
12	2	HHB.5X4.5	1/2 X 4 1/2 Bolt
13	2	STAY CLEAR	Stay Clear Decal
14	1	ISO CHEST BACK	Product Decal
15	1	WARNING LARGE-H	Large Warning
16	1	H-GRIP(ILCB-A00-2)	ILCB Handlebar 2
17	1	H-GRIP(ILCB-A00)	HandGrip

# HAMMER STRENGTH EQUIPMENT

## ILCB - Seat Frame

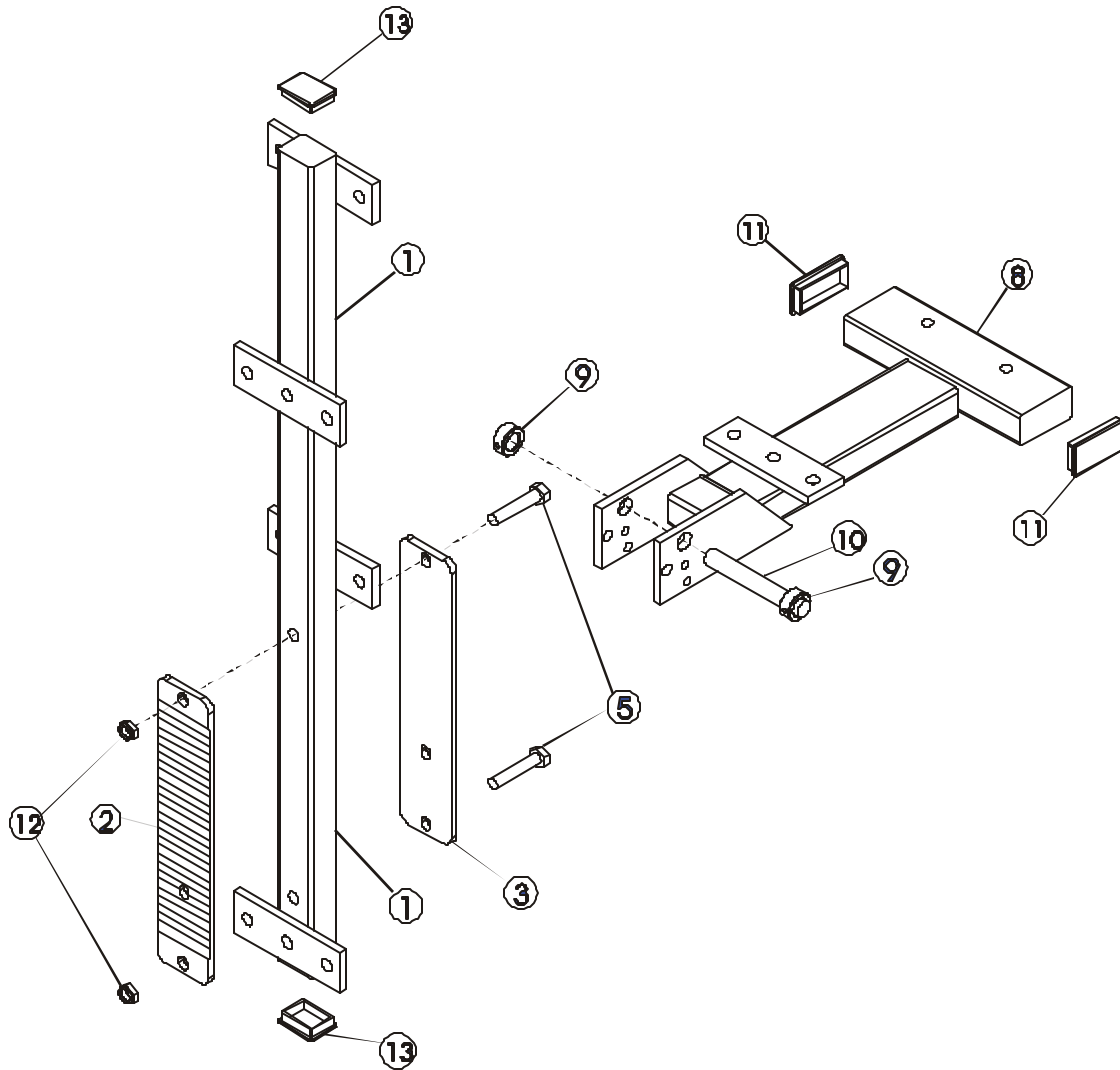


ITEM NO.	QTY.	PART NO.	DESCRIPTION
1	1	ILCB-ST-0	Seat Frame
2	3	H-SEATRCKS	Seatrack Front
3	4	HHB.5X2.5	1/2 X 2 1/2 Bolt
4	4	NUT.5JAMLOCK	1/2" Thin Lock Nut
5	1	H-SEATRCKS-RIB	Seatrack Back
6	1	SEAT NUMBER	Seat Adj. Number
7	1	WARNING SMALL	Small Warning
8	1	SERIAL NUMBER	Serial Number
9	1	ST4-C01	THIGH HOLD DOWN PAD
10	1	H-GRIP(ILCB-A00-2)	HandGrip
11	4	H-LCOLLAR75	3/4" Lock Collar
13	2	H-HPLUG	9/16" Hole Plug
14	2	STshft	Seat Shaft
15	1	STD-ST	Standard Seat #1
16	1	H-PEND3	1 1/2 X 3 End Cap
17	1	SELECTORPIN	Selector Pin
18	2	H-PEND2	1 1/2 X 2 Endcap

# HAMMER STRENGTH EQUIPMENT

## ILCB - Chest Seat Assembly

---

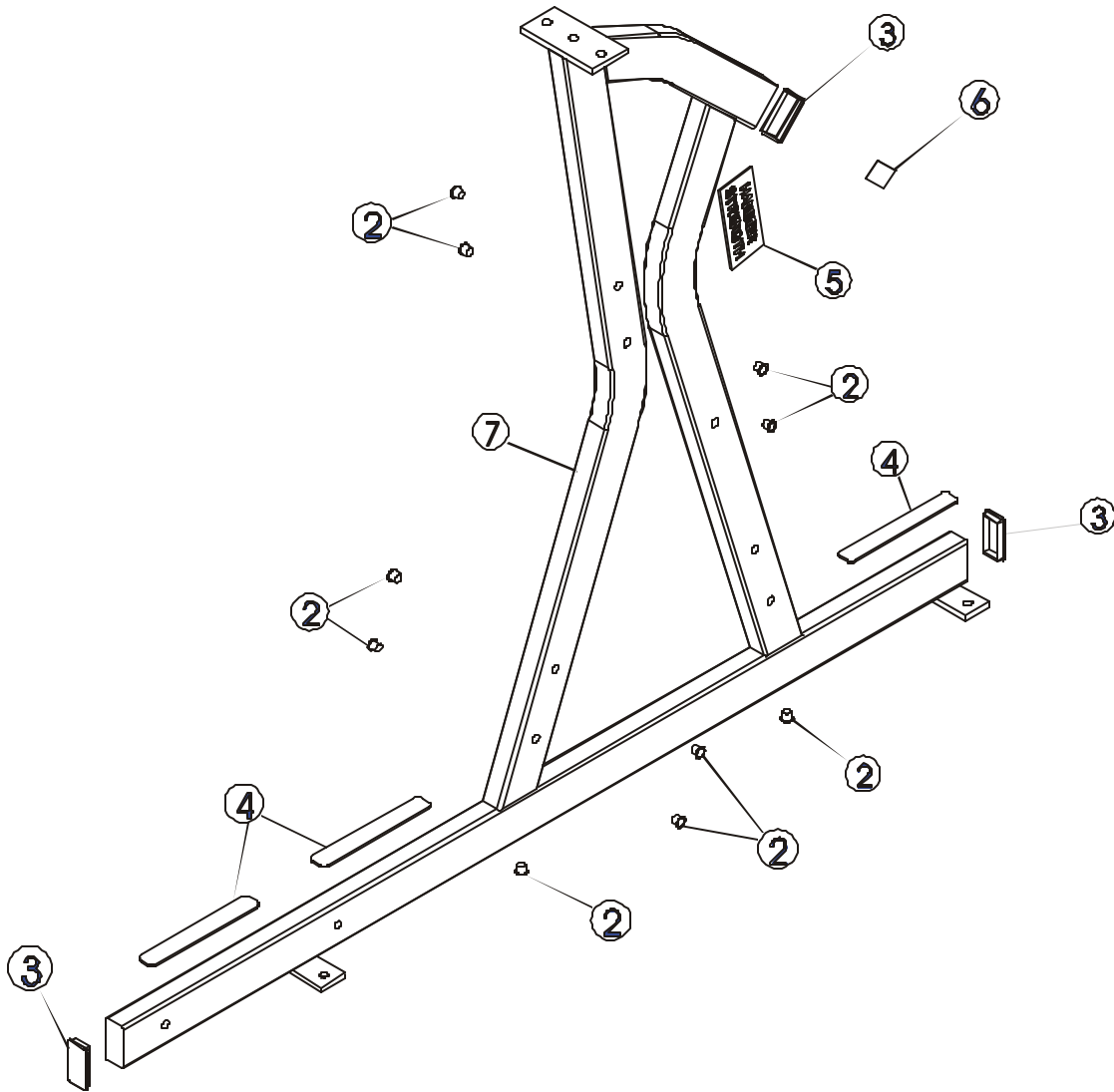


ITEM NO.	QTY.	PART NO.	DESCRIPTION
1	1	ILCB-ST2-0	Chest Seat
2	1	H-SEATRCKS-RIB	Seatrack Back
3	1	H-SEATRCKS	Seatrack Front
5	2	HHB.5X2.5	1/2 X 2 1/2 Bolt
7	1	SEAT NUMBER	Seat Adj. Number
8	1	STD-ST2	Standard Seat #2
9	2	H-LCOLLAR75	3/4" Lock Collar
10	1	STshft	Seat Shaft
11	2	H-PEND3	1 1/2 X 3 End Cap
12	2	NUT.5JAMLOCK	1/2" Thin Lock Nut
13	2	H-PEND2	1 1/2 X 2 Endcap

# HAMMER STRENGTH EQUIPMENT

## ILCB - Side Frame

---



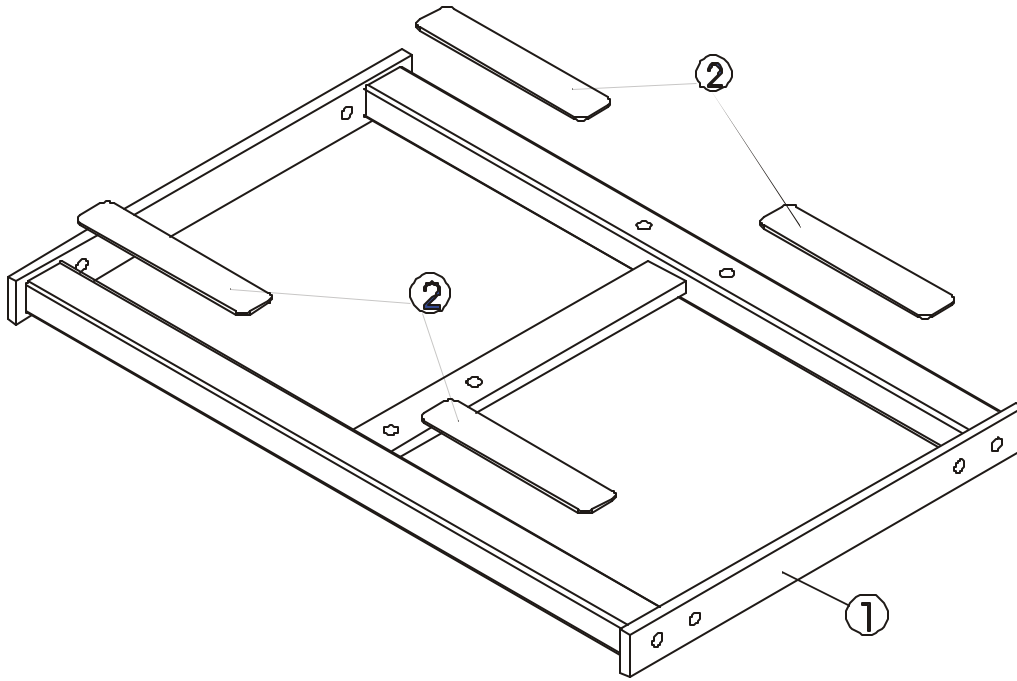
ITEM NO.	QTY.	PART NO.	DESCRIPTION
2	10	H-HPLUG	9/16" Hole Plug
3	3	H-PEND3	1 1/2 X 3 End Cap
4	3	H-NONSKID1	1 1/4 X 9 Nonskid
5	1	H-NAMEPLATE	Name Plate
6	1	STAY CLEAR	H-DECAL-STAY-CLEAR
7	1	ILCB-SF-0	Side Frame



# HAMMER STRENGTH EQUIPMENT

## ILCB - Bottom Frame

---



ITEM NO.	QTY.	PART NO.	DESCRIPTION
1	1	ILCB-BX-0	Bottom Frame
2	4	H-NONSKID2	1 3/4 X 9 Nonskid