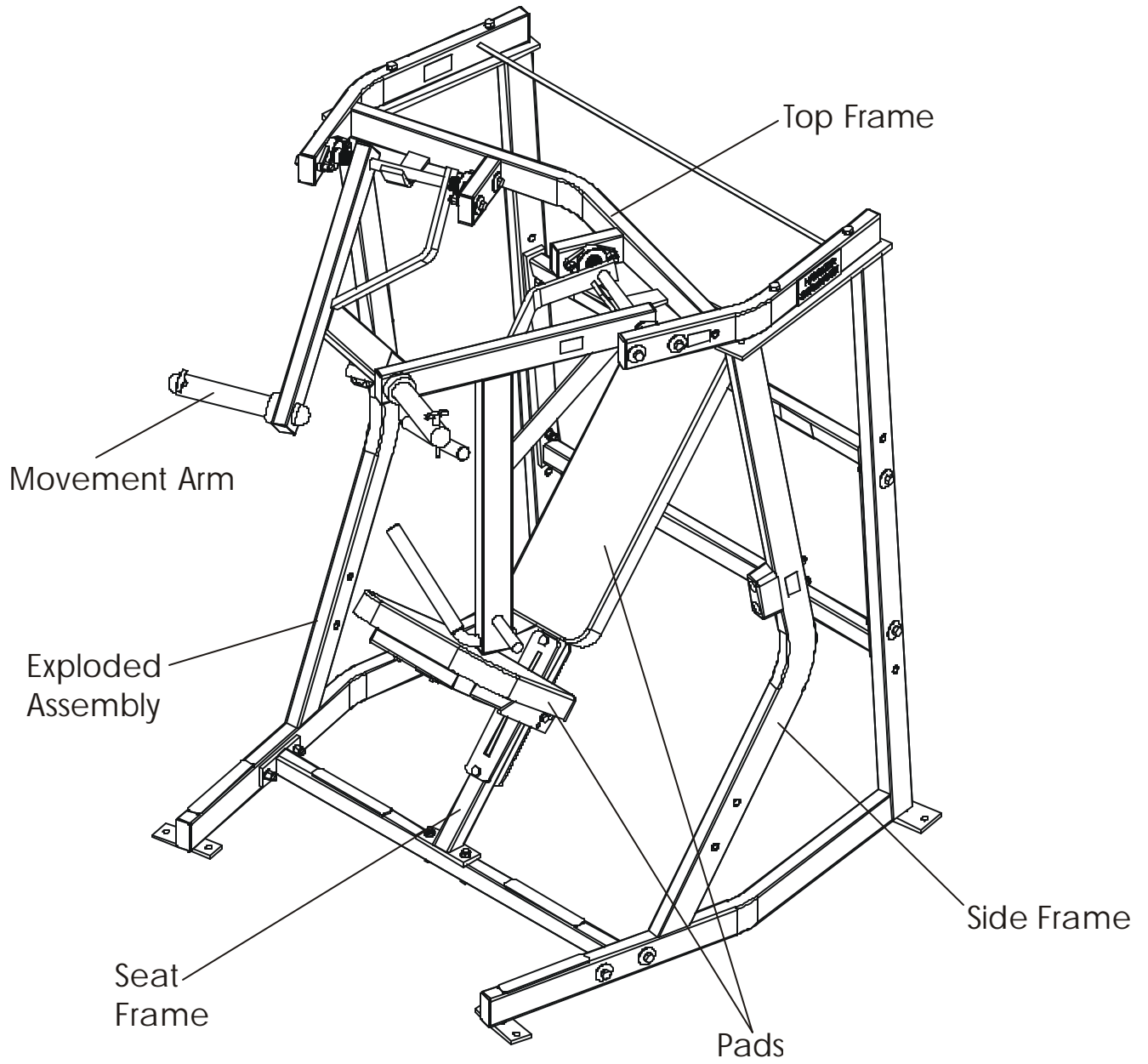
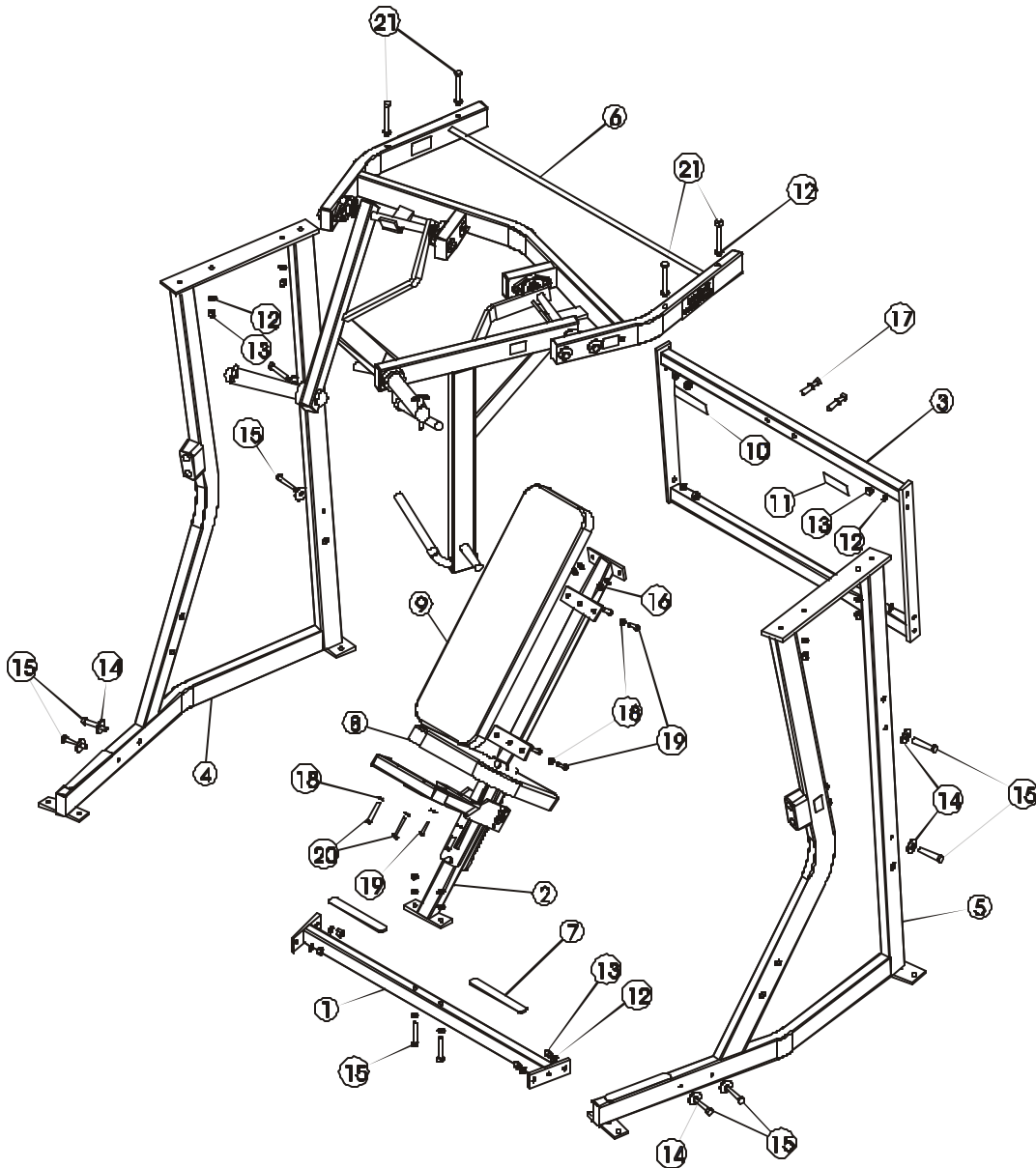


HAMMER STRENGTH EQUIPMENT
ILDCP - ISO Lateral Decline Press Rev. C



HAMMER STRENGTH EQUIPMENT

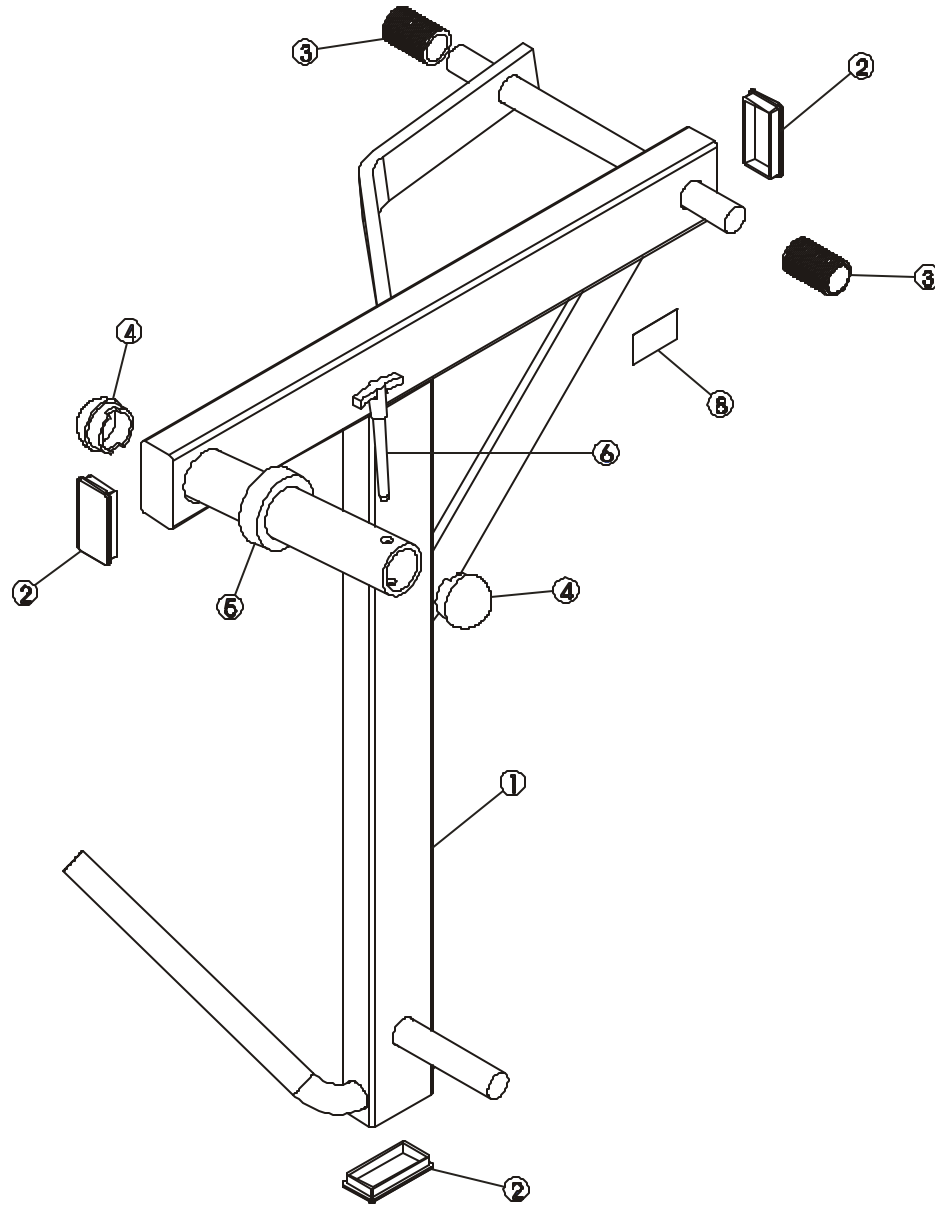
ILDCP - Exploded Assembly



ITEM NO.	QTY.	PART NO.	DESCRIPTION	ITEM NO.	QTY.	PART NO.	DESCRIPTION
1	1	ILDCP-FX-0	Front Frame	12	24	WASH.5STAR	1/2" Internal Lock Washer
2	1	ILDCP-CST-0	Seat Frame Assembly	13	12	NUT.5LOCK	1/2" Thick Lock Nut
3	1	ILDCP-BX-0	Back Frame	14	8	H-BACK-WASH	Backing Washer
4	1	ILDCP-CSFR-0	Left Side Frame	15	10	HHB.5X3	1/2 X 3 Bolt
5	1	ILDCP-CSFL-0	SFL Assembly	16	4	NUT.5JAMLOCK	1/2" Thin Lock Nut
6	1	ILDCP-CTX-0	Top Frame Assembly	17	2	HHB.5X2.5	1/2 X 2 1/2 Bolt
7	2	H-NONSKID1	1 1/4 X 9 Nonskid	18	8	WASH.375SAE	3/8" SAE Flat Washer
8	1	U16-11	Standard 16" Pad	19	6	HHB.375X1.5	3/8 X 1 1/2 Bolt
9	1	U33-19	Standard 33" Pad	20	2	HHB.375X2.5	3/8 X 2 1/2 Bolt
10	1	ISO DECLINE PRESS	Product Decal	21	4	HHB.5X4.5	1/2 X 4 1/2 Bolt
11	1	WARNING SMALL-H	Small Warning				

HAMMER STRENGTH EQUIPMENT

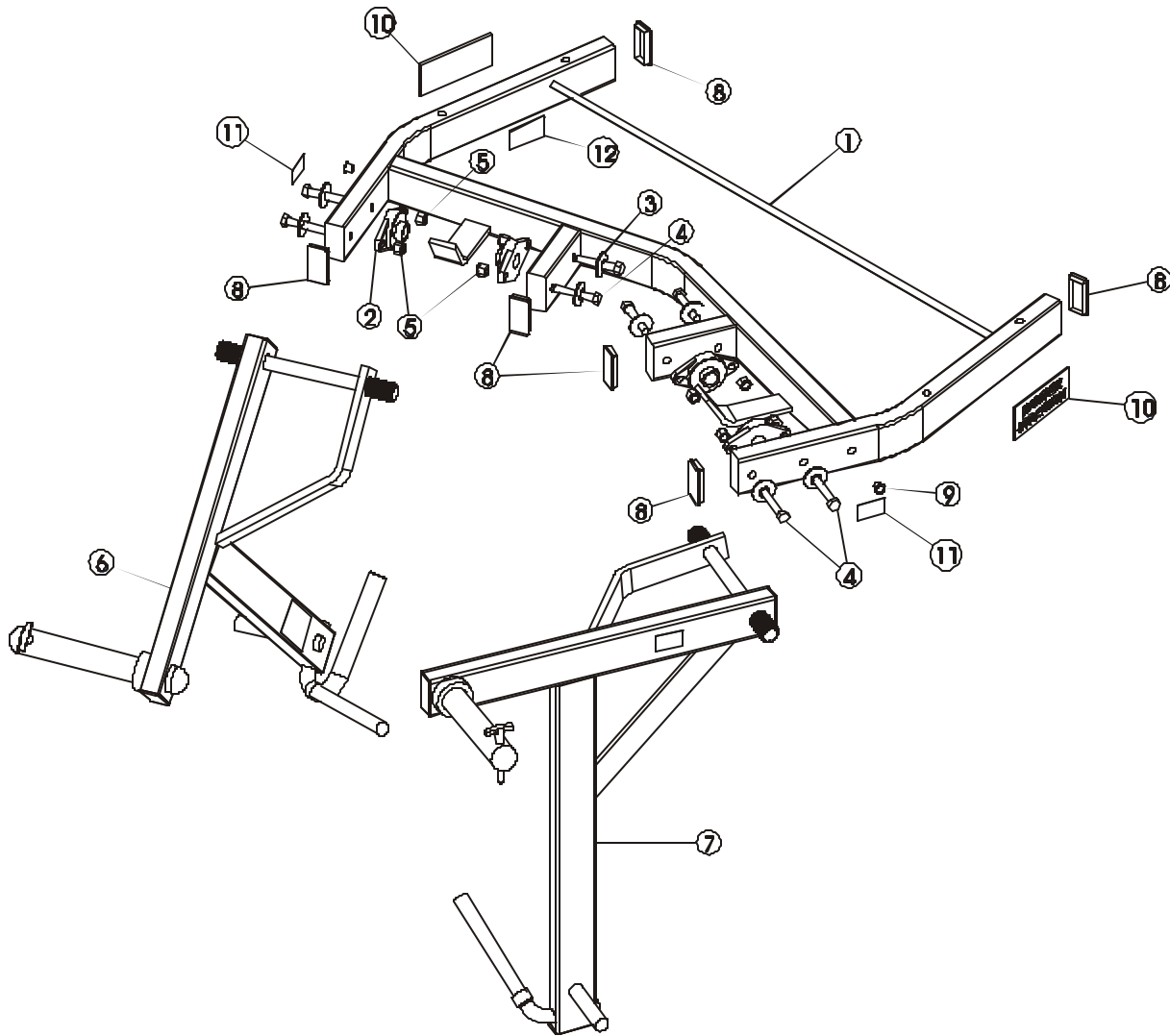
ILDCP - Movement Arm



ITEM NO.	QTY.	PART NO.	DESCRIPTION
1	1	ILDCP-MAR-0	Right Marm
1	1	ILDCP-MAL-0	Left Marm
2	3	H-PEND3	1 1/2 X 3 End Cap
3	2	ACCORDIAN	Shaft Cover
4	2	H-BENDCAP	Bullet Cap
5	1	H-RUBRNG	MM5 Ring
6	1	SELECTORPIN-4	Selector Pin
8	1	STAY CLEAR	Stay Clear Decal
9	1	H-GRIP(GBTLR2-A00)	HandGrip

HAMMER STRENGTH EQUIPMENT

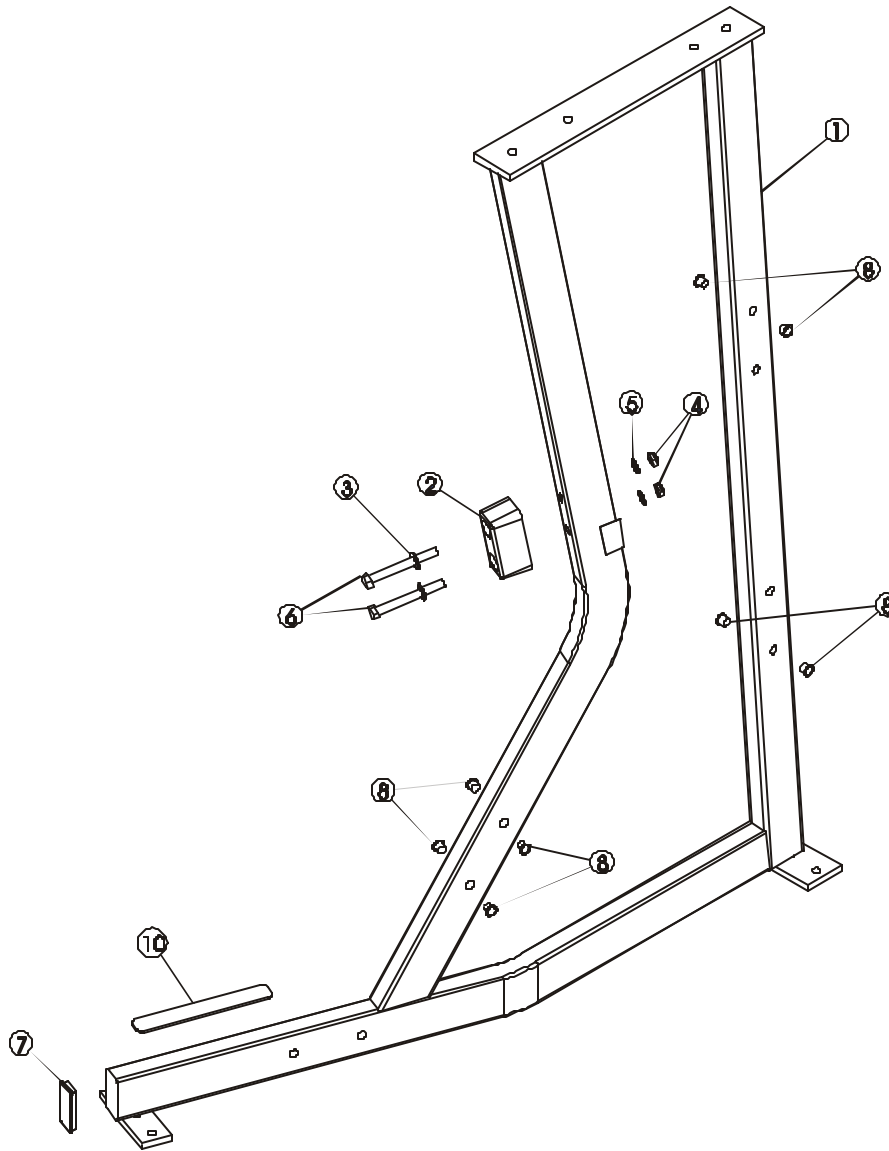
ILDCP - Top Frame



ITEM NO.	QTY.	PART NO.	DESCRIPTION
1	1	ILDCP-TX-0	Top frame
2	4	H-BEAR-SML	Small Bearing
3	8	H-BACK-WASH	Backing Washer
4	8	HHB.5X3	1/2 X 3 Bolt
5	8	NUT.5LOCK	1/2" Thick Lock Nut
6	1	ILDCP-CMAR-0	Right Marm Assembly
7	1	ILDCP-CMAL-0	Right Marm Assembly
8	6	H-PEND3	1 1/2 X 3 End Cap
9	2	H-HPLUG	9/16" Hole Plug
10	2	H-NAMEPLATE	Name Plate
11	2	STAY CLEAR	Stay Clear Decal
12	1	PATENT	Patent Decal

HAMMER STRENGTH EQUIPMENT

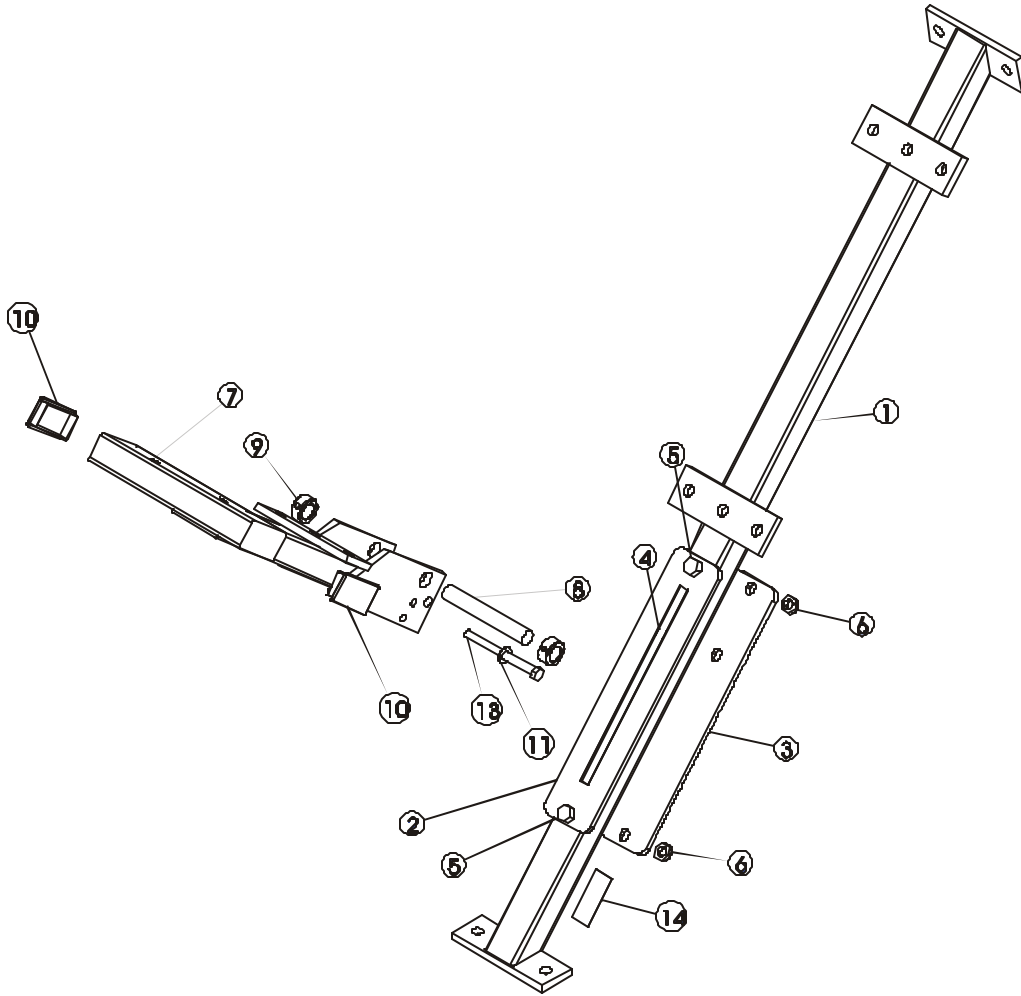
ILDCP - Side Frame



ITEM NO.	QTY.	PART NO.	DESCRIPTION
1	1	ILDSP-SFR-0	Right Side Frame
1	1	ILDSP-SFL-0	Left Side Frame
2	1	H-BUMP-MED	MM2 Medium
3	2	WASH.5SAE	1/2" SAE Flat Washer
4	2	NUT.5JAMLOCK	1/2" Thin Lock Nut
5	2	WASH.5STAR	1/2" Internal Lock Washer
6	2	HHB.5X4.5	1/2 X 4 1/2 Bolt
7	1	H-PEND3	1 1/2 X 3 End Cap
8	8	H-HPLUG	9/16" Hole Plug
9	1	STAY CLEAR	Stay Clear Decal
10	1	H-NONSKID1	1 1/4 X 9 Nonskid

HAMMER STRENGTH EQUIPMENT

ILDCP - Seat Frame



ITEM NO.	QTY.	PART NO.	DESCRIPTION
1	1	ILDCP-ST-0	Seat Frame
2	1	H-SEATRCKS	Seatrack Front
3	1	H-SEATRCKS-RIB	Seatrack Back
4	1	SEAT NUMBER	Seat Adj. Number
5	2	HHB.5X2.5	1/2 X 2 1/2 Bolt
6	2	NUT.5JAMLOCK	1/2" Thin Lock Nut
7	1	STD-ST2	
8	1	STshft	Seat Shaft
9	2	H-LCOLLAR75	3/4" Lock Collar
10	2	H-PEND3	1 1/2 X 3 End Cap
11	2	WASH.375SAE	3/8" SAE Flat Washer
12	1	NUT.375LOCK	3/8" Thick Lock Nut
13	1	HHB.375X4.5	3/8 X 4.5 Bolt
14	1	SERIAL NUMBER	Serial Number