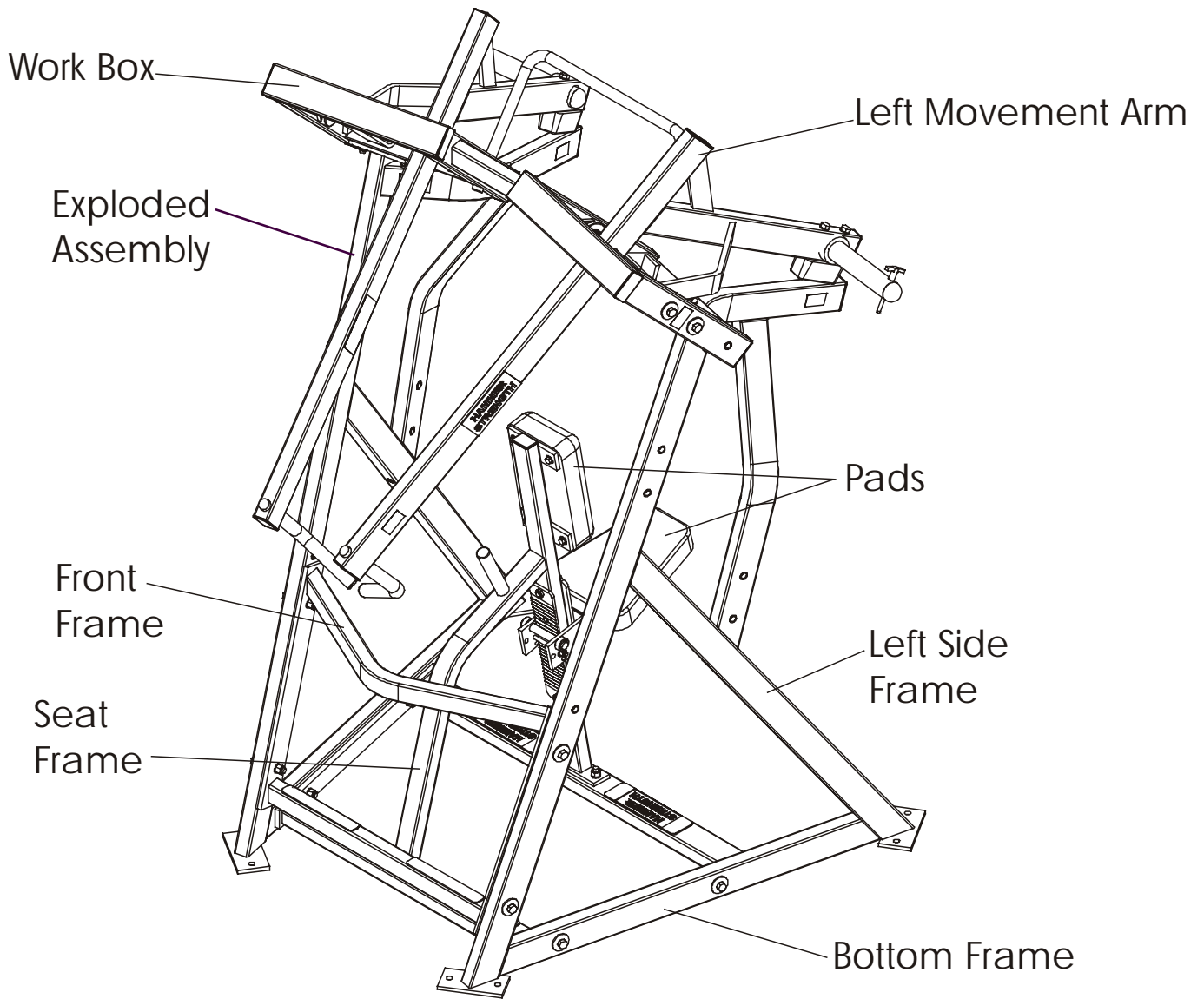


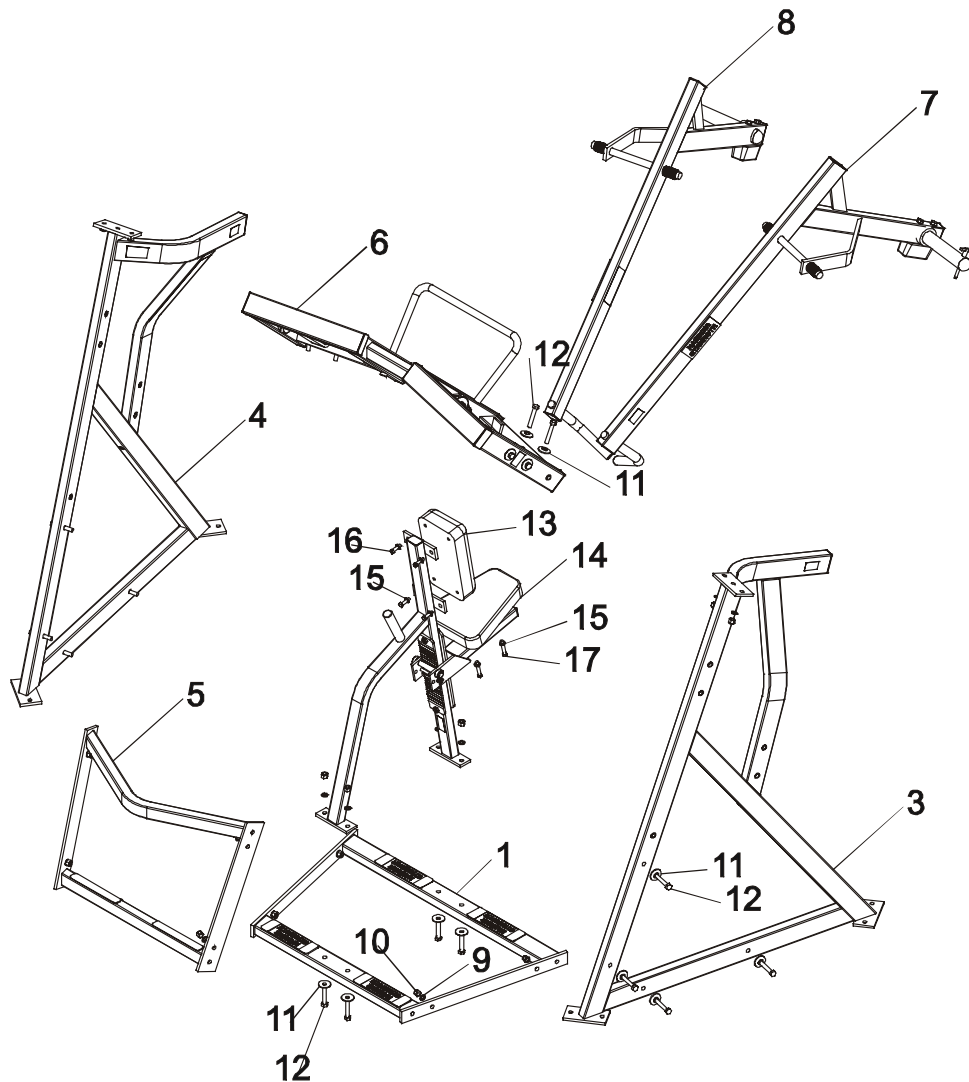
HAMMER STRENGTH EQUIPMENT

ILDROW – B00 ISO-Lateral D.Y. Row Assembly



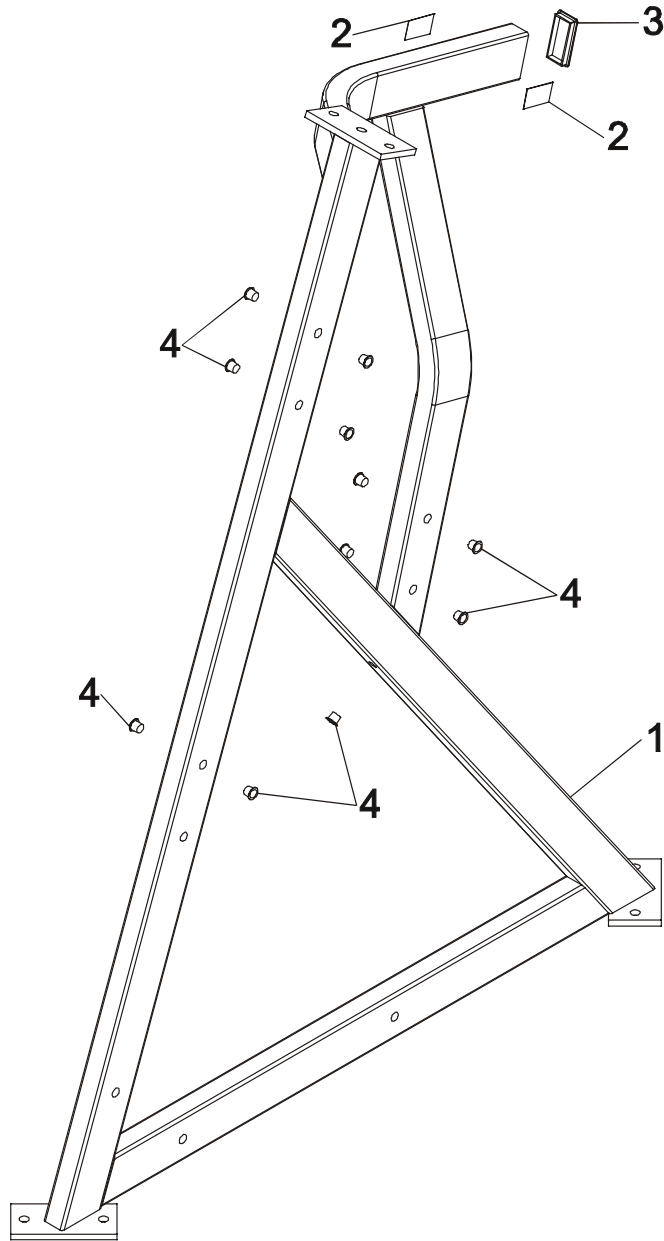
HAMMER STRENGTH EQUIPMENT

ILDRW – B00 Exploded Assembly



ITEM NO.	QTY.	PART NO.	DESCRIPTION
1	1	ILDRW-CBX-0	Bottom Frame Assembly
2	1	ILDRW-CST-0	Seat Frame Assembly
3	1	ILDRW-CSFL-0	LSF Assembly
4	1	ILDRW-CSFR-0	RSF Assembly
5	1	ILDRW-CFX-0	FX Assembly
6	1	ILDRW-CTX-0	TX Assembly
7	1	ILDRW-CMAL-0	Left Marm Assembly
8	1	ILDRW-CMAR-0	Right Marm Assembly
9	16	WASH.5STAR	1/2" Internal Lock Washer
10	16	NUT.5LOCK	1/2" Thick Lock Nut
11	16	H-BACK WASH	Backing Washer
12	16	HHB.5X3	1/2 X 3 Bolt
13	1	UROw	ROW CHEST PAD
14	1	U12-5 REG	12" Triangular Pad
15	6	WASH.375SAE	3/8" SAE Flat Washer
16	4	HHB.375X1.5	3/8 X 1 1/2 Bolt
17	2	HHB.375X2.5	3/8 X 2 1/2 Bolt

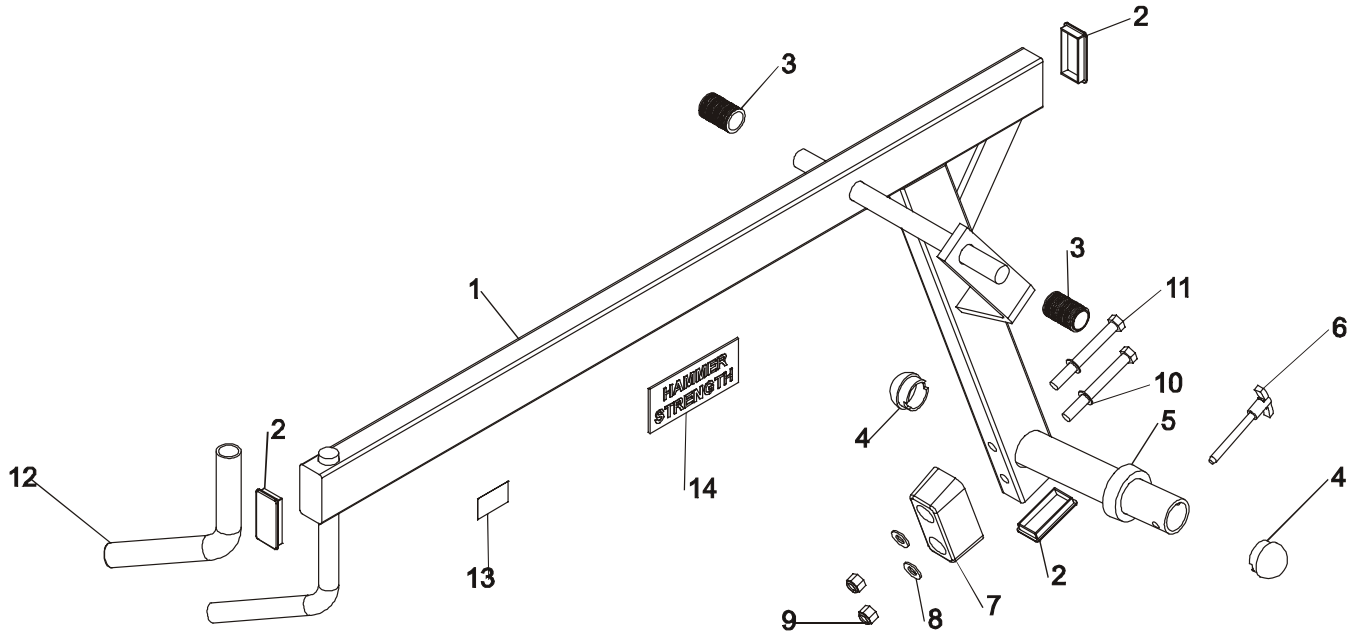
HAMMER STRENGTH EQUIPMENT
ILDRW – B00 Left Side Frame



ITEM NO.	QTY.	PART NO.	DESCRIPTION
1	1	ILDRW-SFL-0	Left Side Frame
2	2	STAY CLEAR	Stay Clear Decal
3	1	H-PEND3	1 1/2 X 3 End Cap
4	11	H-HPLUG	Hole Plug

HAMMER STRENGTH EQUIPMENT

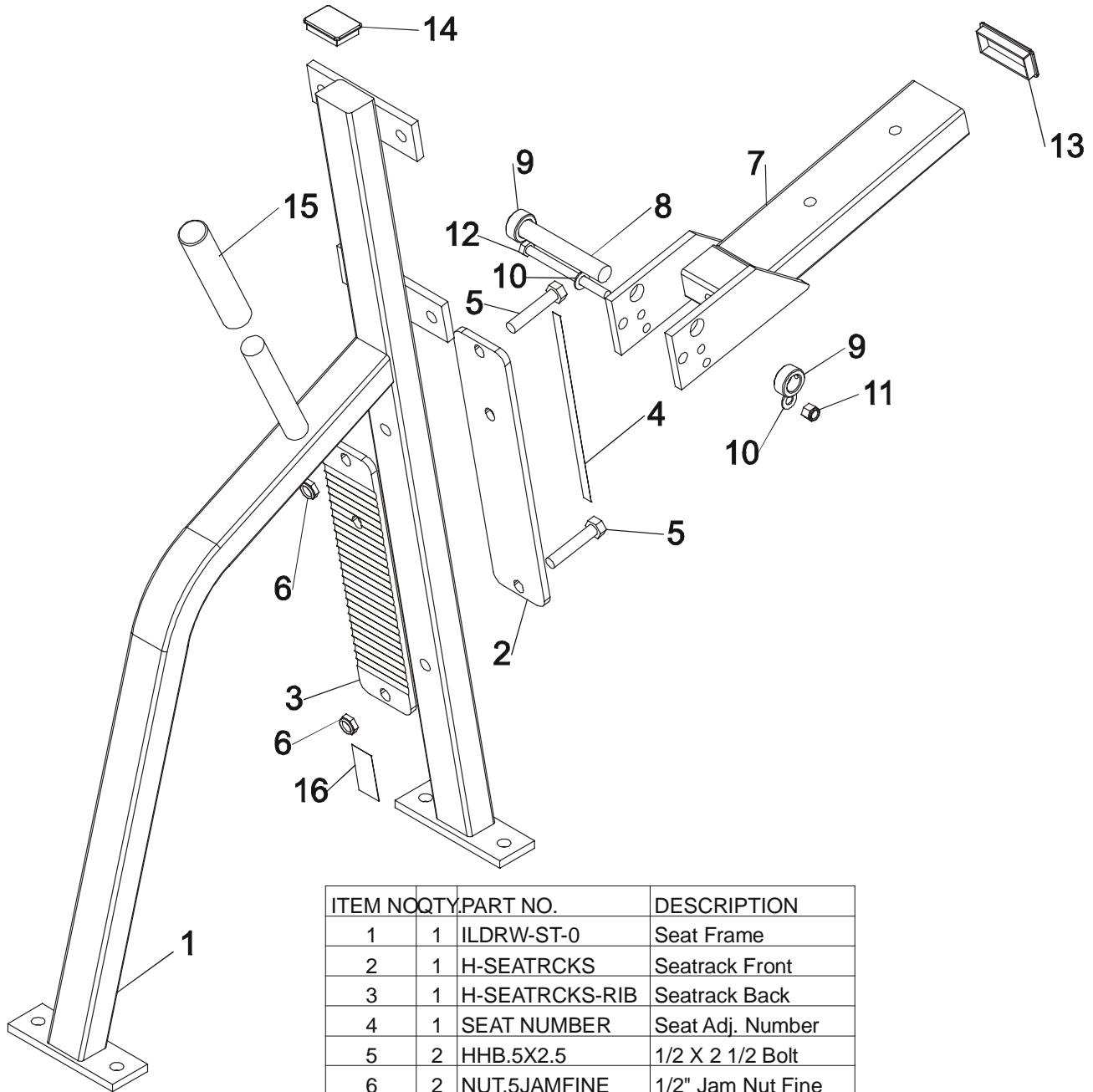
ILDRW – B00 Left Movement Arm



ITEM NO.	QTY	PART NO.	DESCRIPTION
1	1	ILDRW-MAL-0	Left Movement Arm
2	3	H-PEND3	1 1/2 X 3 End Cap
3	2	ACCORDIAN	Shaft Guard
4	2	H-BENDCAP	Bullet Cap
5	1	H-RUBRNG	MM5 Ring
6	1	SELECTOR PIN-4	SELECTOR PIN 4 INCH
7	1	H-BUMP-MED	MM2 Medium
8	2	WASH.5SAE	1/2" SAE Flat Washer
9	2	NUT.5LOCK	1/2" Thick Lock Nut
10	2	WASH.5STAR	1/2" Internal Lock Washer
11	2	HHB.5X4.5	1/2 X 4 1/2 Bolt
12	1	H-GRIP(ILDRW-2-B00)	HandGrip
13	1	STAY CLEAR	Stay Clear Decal
14	1	H-NAMEPLATE	Name Plate

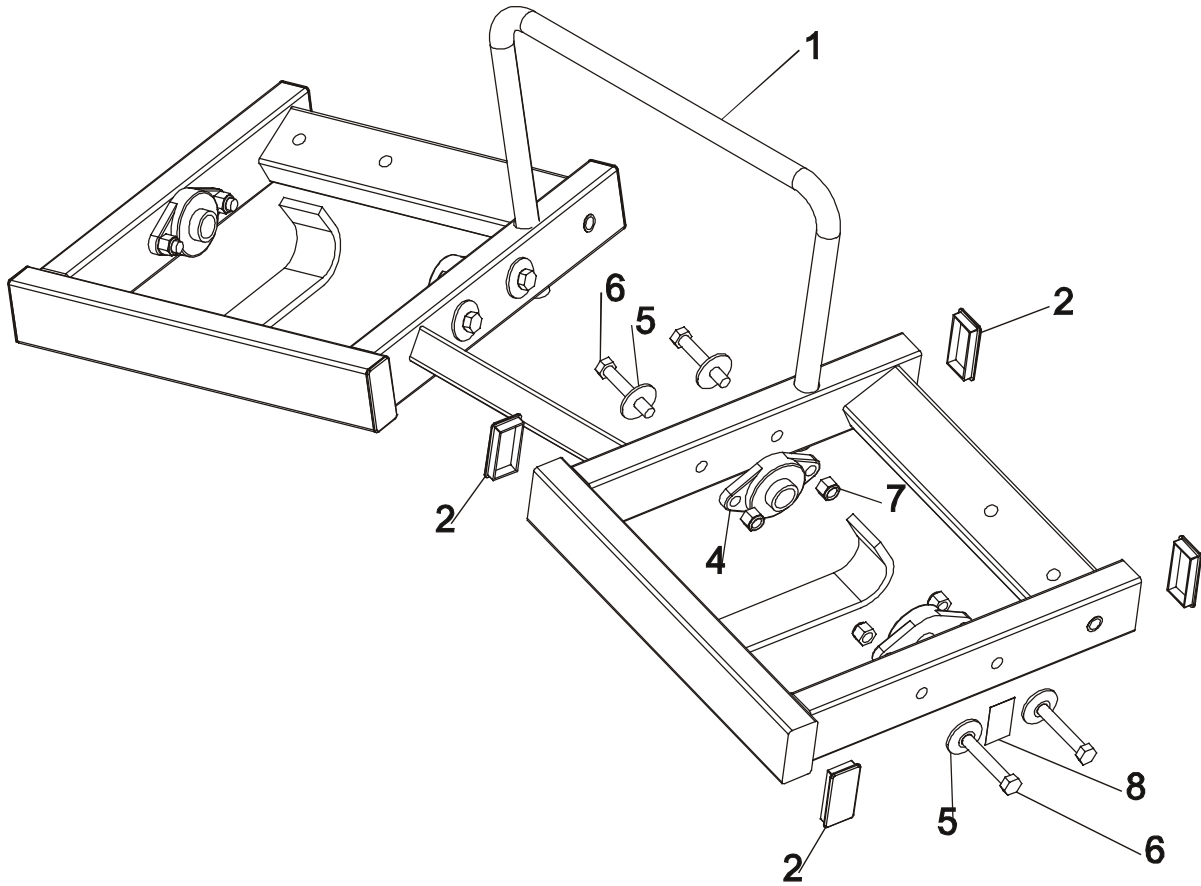
HAMMER STRENGTH EQUIPMENT

ILDRW – B00 Seat Frame



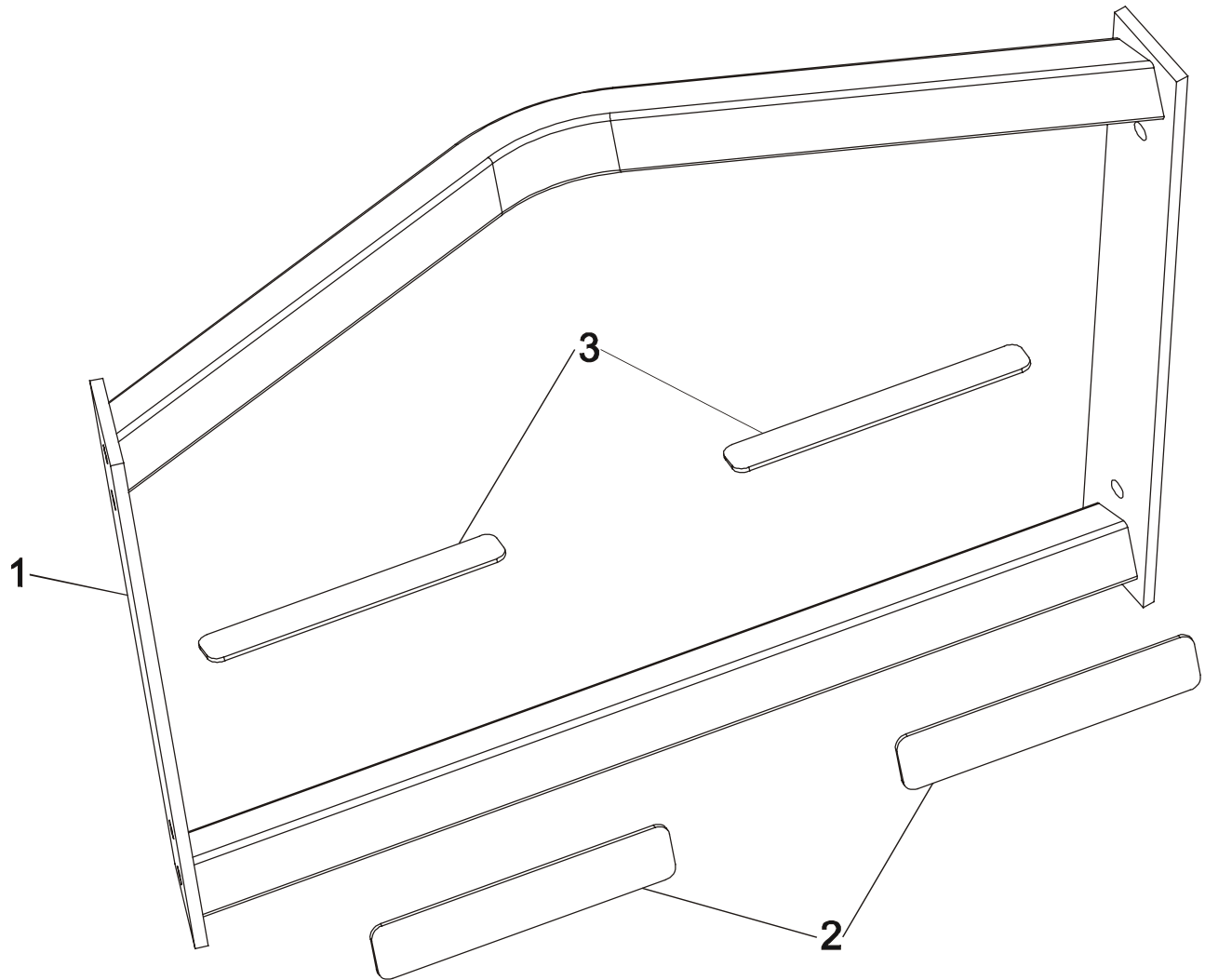
ITEM NO	QTY	PART NO.	DESCRIPTION
1	1	ILDRW-ST-0	Seat Frame
2	1	H-SEATRCKS	Seatrack Front
3	1	H-SEATRCKS-RIB	Seatrack Back
4	1	SEAT NUMBER	Seat Adj. Number
5	2	HHB.5X2.5	1/2 X 2 1/2 Bolt
6	2	NUT.5JAMFINE	1/2" Jam Nut Fine
7	1	STD-ST	Standard Seat #1
8	1	STSHFT	Seat Shaft
9	2	H-LCOLLAR75	3/4" Lock Collar
10	2	WASH.375SAE	3/8" SAE Flat Washer
11	1	NUT.375LOCK	3/8" Thick Lock Nut
12	1	HHB.375X4.5	3/8 X 4.5 Bolt
13	1	H-PEND3	1 1/2 X 3 End Cap
14	1	H-PEND2	1 1/2 X 2 Endcap
15	1	H-GRIP(ILDRW-B00)	HandGrip
16	1	SERIAL NUMBER	Serial Number

HAMMER STRENGTH EQUIPMENT
ILDRW – B00 Work Box



ITEM NO.	QTY.	PART NO.	DESCRIPTION
1	1	ILDRW-TX-0	Workbox
2	8	H-PEND3	1 1/2 X 3 End Cap
3	4	H-HPLUG	Hole Plug
4	4	H-BEAR-SML	Small Bearing
5	8	H-BACK WASH	Backing Washer
6	8	HHB.5X3	1/2 X 3 Bolt
7	8	NUT.5LOCK	1/2" Thick Lock Nut
8	2	STAY CLEAR	Stay Clear Decal

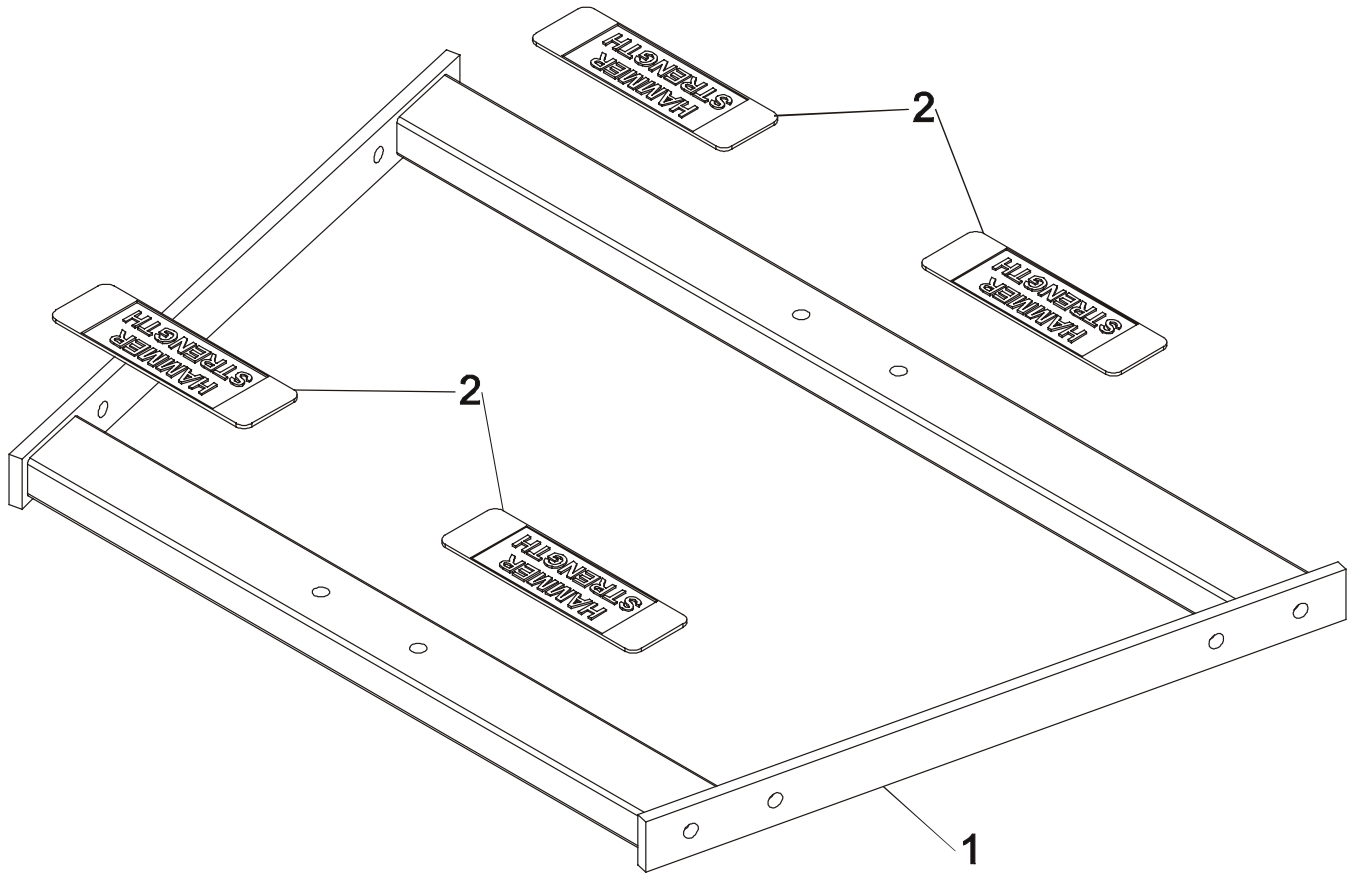
HAMMER STRENGTH EQUIPMENT
ILDRW – B00 Front Frame



ITEM NO.	QTY.	PART NO.	DESCRIPTION
1	1	ILDRW-FX-0	Front Frame
2	2	H-NONSKID-2 X 9	1 3/4 X 9 Nonskid
3	2	PLASTIC NONSKID STRIP 1 X 9	1 1/4 X 9 Nonskid

HAMMER STRENGTH EQUIPMENT

ILDRW – B00 Bottom Frame



ITEM NO.	QTY.	PART NO.	DESCRIPTION
1	1	ILDRW-BX-0	Bottom Frame
2	4	H-NONSKID-3 X 9	2 5/8 X 9 Nonskid