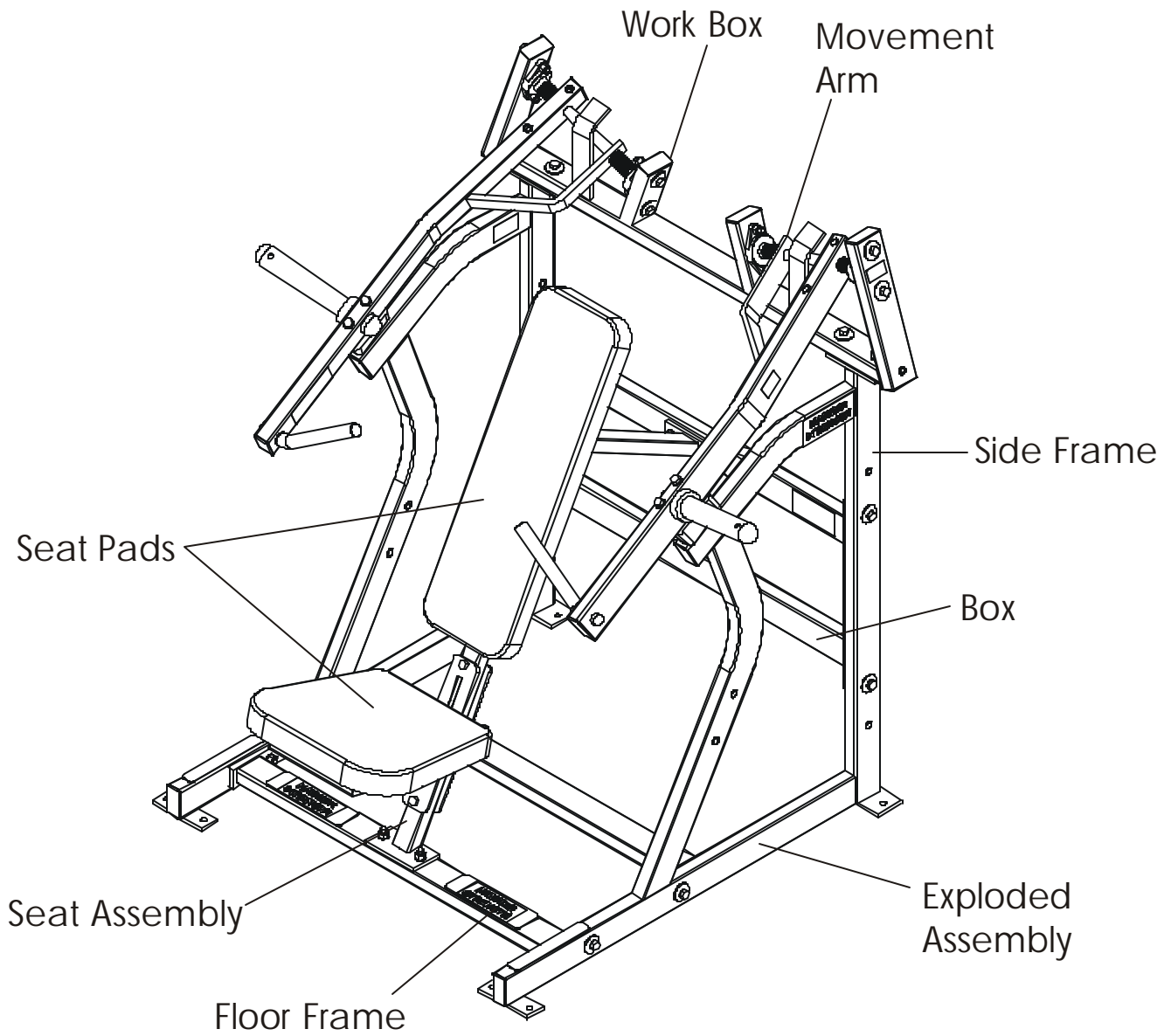


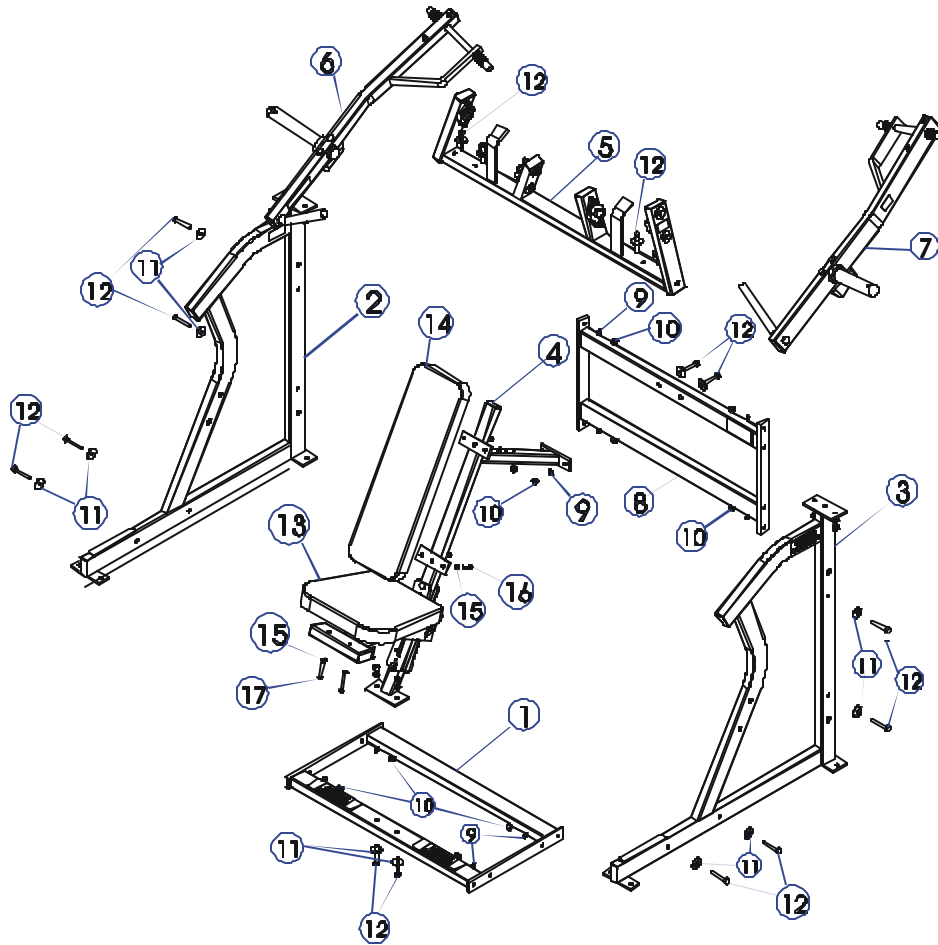
**HAMMER STRENGTH EQUIPMENT**  
**ILFMP - ISO Front Military Press Assembly Rev. B**

---



# HAMMER STRENGTH EQUIPMENT

## ILFMP - Exploded Assembly

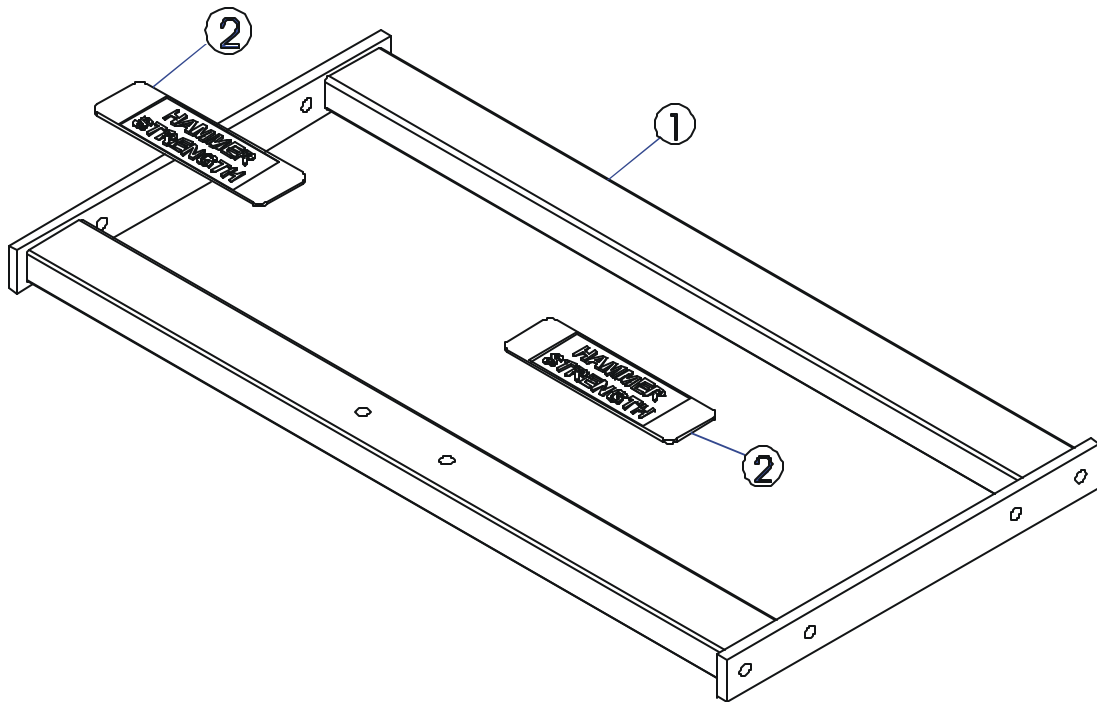


ITEM NO.	QTY.	PART NO.	DESCRIPTION
1	1	ILFMP-CFX-0	Floor Frame Assembly
2	1	ILFMP-CSFR-0	Right Side Frame Assembly
3	1	ILFMP-CSFL-0	Left Side Frame Assembly
4	1	ILFMP-CST-0	Seat Frame Assembly
5	1	ILFMP-CTX-0	Workbox Assembly
6	1	ILFMP-CMAR-0	Right Marm Assembly
7	1	ILFMP-CMAL-0	Left Marm Assembly
8	1	ILFMP-CBX-0	Back Frame Assembly
9	16	WASH.5STAR	1/2" Internal Lock Washer
10	16	NUT.5LOCK	1/2" Thick Lock Nut
11	16	H-BACK-WASH	Backing Washer
12	16	HHB.5X3	1/2 X 3 Bolt
13	1	U16-11	Standard 16" Pad
14	1	U33-19	Standard 33" Pad
15	8	WASH.375SAE	3/8" SAE Flat Washer
16	6	HHB.375X1.5	3/8 X 1 1/2 Bolt
17	2	HHB.375X2.5	3/8 X 2 1/2 Bolt

# HAMMER STRENGTH EQUIPMENT

## ILFMP - Floor Frame

---

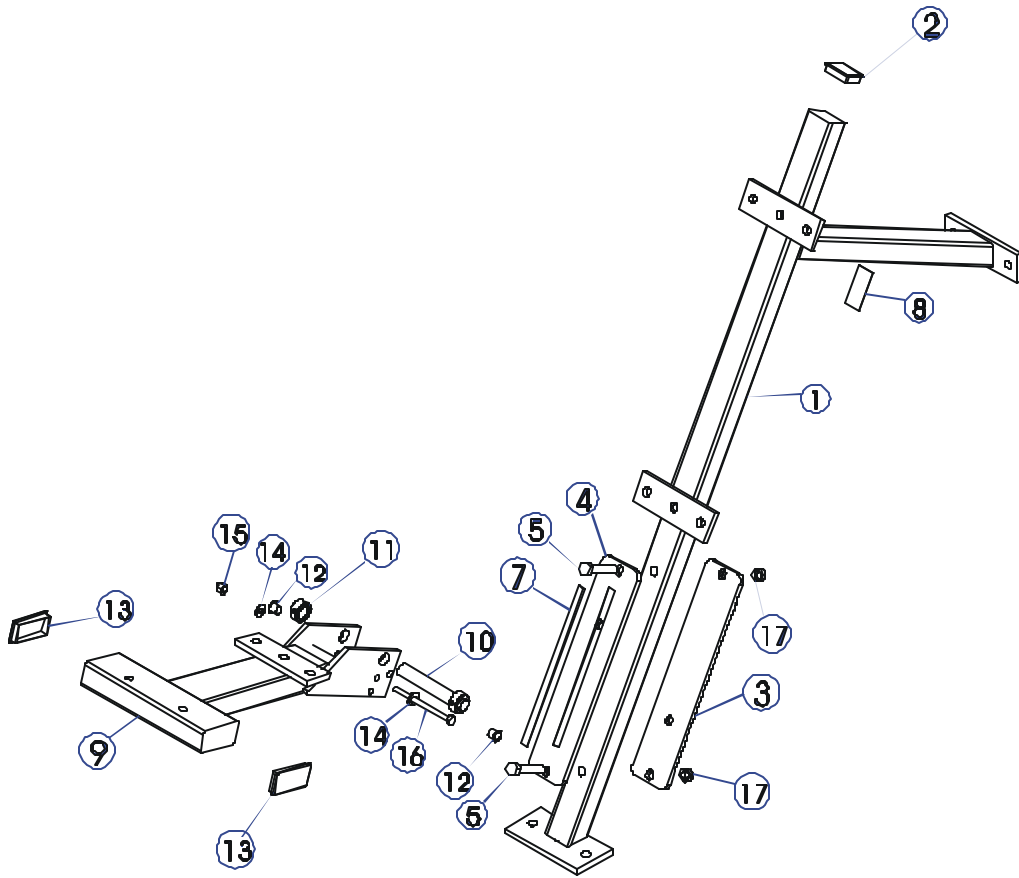


ITEM NO.	QTY.	PART NO.	DESCRIPTION
1	1	ILFMP-FX-0	Floor Frame
2	2	H-NONSKID3	2 5/8 X 9 Nonskid

# HAMMER STRENGTH EQUIPMENT

## ILFMP - Seat Assembly

---

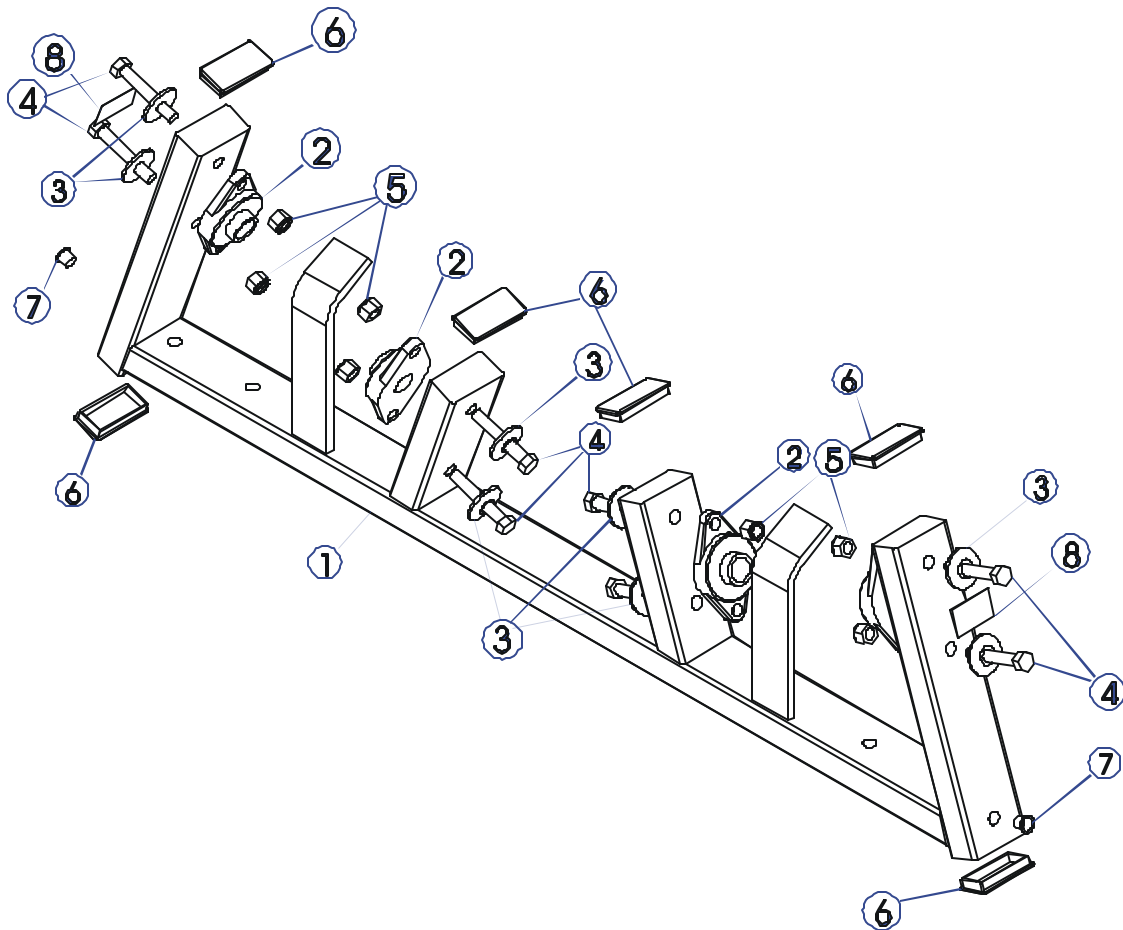


ITEM NO.	QTY.	PART NO.	DESCRIPTION
1	1	ILFMP-ST-0	Seat Frame
2	1	H-PEND2	1 1/2 X 2 Endcap
3	1	H-SEATRCKS-RIB	Seatrack Back
4	1	H-SEATRCKS	Seatrack Front
5	2	HHB.5X2.5	1/2 X 2 1/2 Bolt
7	1	SEAT NUMBER	Seat Adj. Number
8	1	SERIAL NUMBER	Serial Number
9	1	STD-ST3	Standard Seat 3
10	1	STshft	Seat Shaft
11	2	H-LCOLLAR75	3/4" Lock Collar
12	2	H-HPLUG	9/16" Hole Plug
13	2	H-PEND3	1 1/2 X 3 End Cap
14	2	WASH.375SAE	3/8" SAE Flat Washer
15	1	NUT.375LOCK	3/8" Thick Lock Nut
16	1	HHB.375X4.5	3/8 X 4.5 Bolt
17	2	NUT.5JAM	1/2" Thin Lock Nut

# HAMMER STRENGTH EQUIPMENT

## ILFMP - Workbox

---

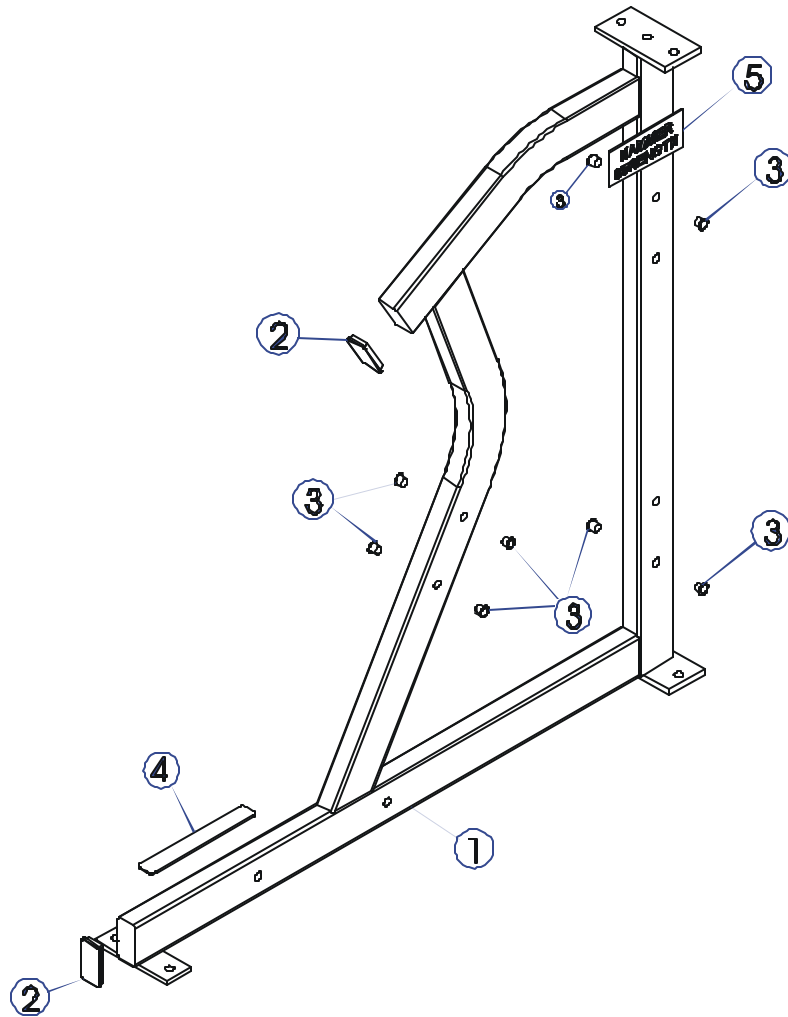


ITEM NO.	QTY.	PART NO.	DESCRIPTION
1	1	ILFMP-TX-0	Workbox
2	4	H-BEAR-SML	Small Bearing
3	8	H-BACK-WASH	Backing Washer
4	8	HHB.5X3	1/2 X 3 Bolt
5	8	NUT.5LOCK	1/2" Thick Lock Nut
6	6	H-PEND3	1 1/2 X 3 End Cap
7	2	H-HPLUG	9/16" Hole Plug
8	2	STAY CLEAR	Stay Clear Decal

# HAMMER STRENGTH EQUIPMENT

## ILFMP - Side Frame

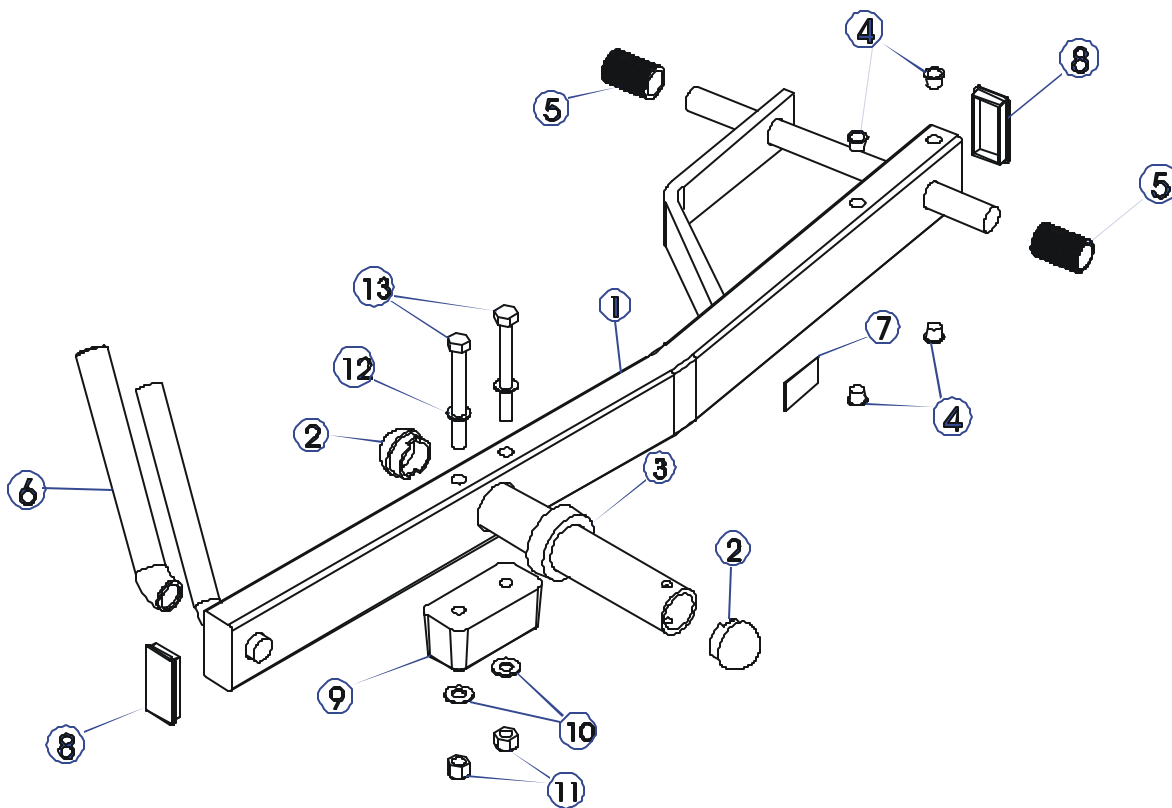
---



ITEM NO.	QTY.	PART NO.	DESCRIPTION
1	1	ILFMP-SF-0	Side Frame
2	2	H-PEND3	1 1/2 X 3 End Cap
3	8	H-HPLUG	9/16" Hole Plug
4	1	H-NONSKID1	1 1/4 X 9 Nonskid
5	1	H-NAMEPLATE	Name Plate

# HAMMER STRENGTH EQUIPMENT

## ILFMP - Movement Arm

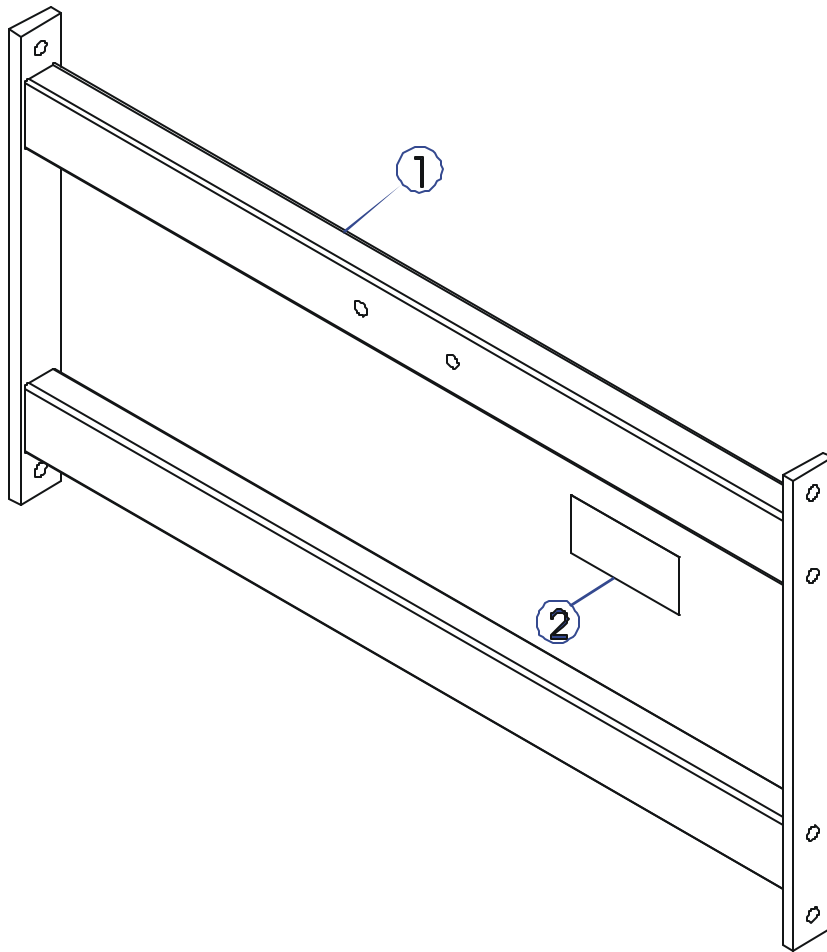


ITEM NO.	QTY.	PART NO.	DESCRIPTION
1	1	ILFMP-MAR-0	Right Movement Arm
1	1	ILFMP-MAL-0	Left Movement Arm
2	2	H-BENDCAP	Bullet Cap
3	1	H-RUBRNG	MM5 Ring
4	4	H-HPLUG	9/16" Hole Plug
5	2	ACCORDIAN	Shaft Guard
6	1	H-GRIP(ILFMP-B00)	HandGrip
7	1	STAY CLEAR	Stay Clear Decal
8	2	H-PEND3	1 1/2 X 3 End Cap
9	1	H-BUMP-MED	MM2 Medium
10	2	WASH.5SAE	1/2" SAE Flat Washer
11	2	NUT.5LOCK	1/2" Thick Lock Nut
12	2	WASH.5STAR	1/2" Internal Lock Washer
13	2	HHB.5X4.5	1/2 X 4 1/2 Bolt

# HAMMER STRENGTH EQUIPMENT

## ILFMP - Box

---



ITEM NO.	QTY.	PART NO.	DESCRIPTION
1	1	ILFMP-BX-0	BX
2	1	WARNING LARGE-H	Large Warning