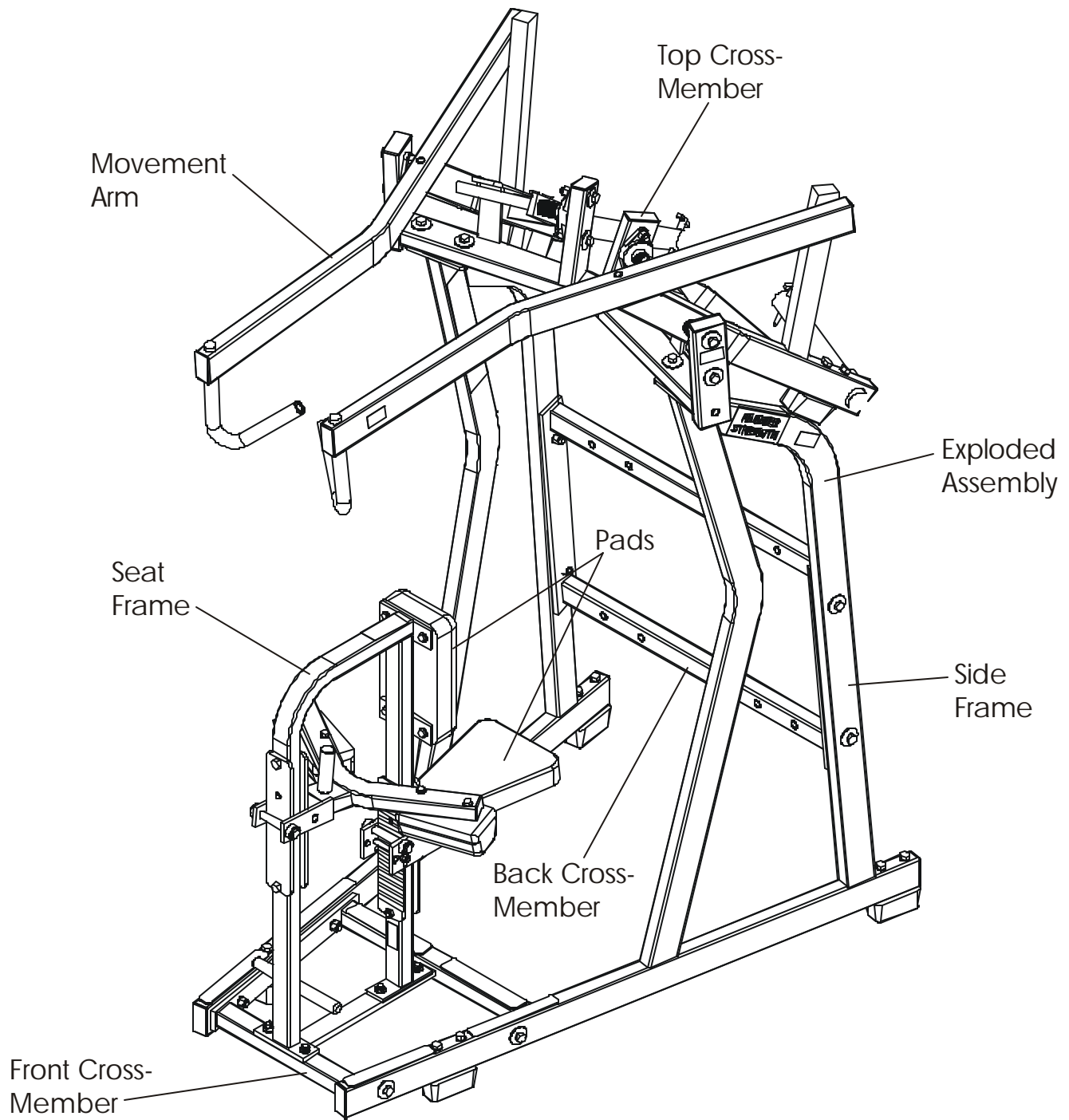


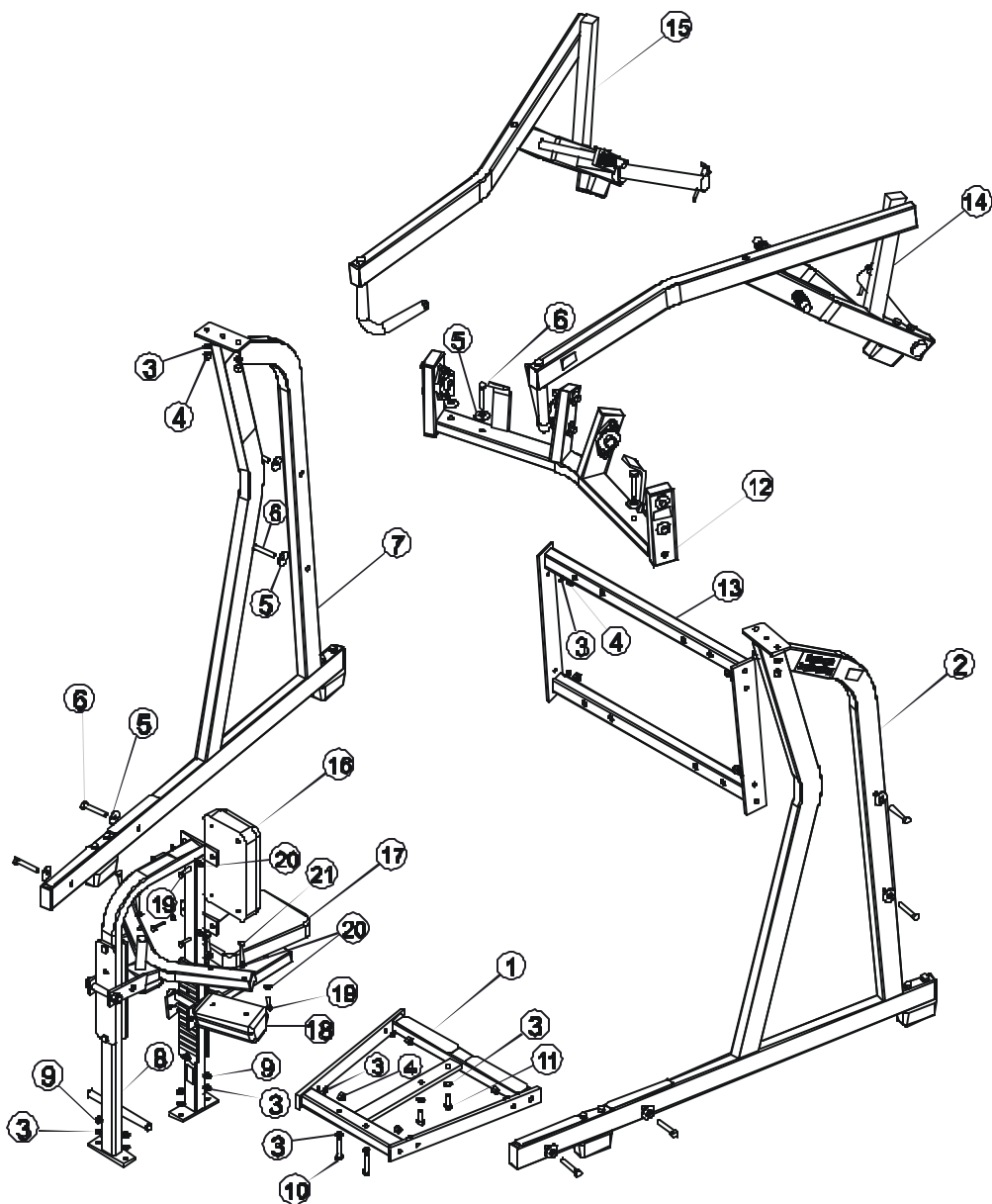
HAMMER STRENGTH EQUIPMENT

ILHR - ISO Lateral High Row Assembly



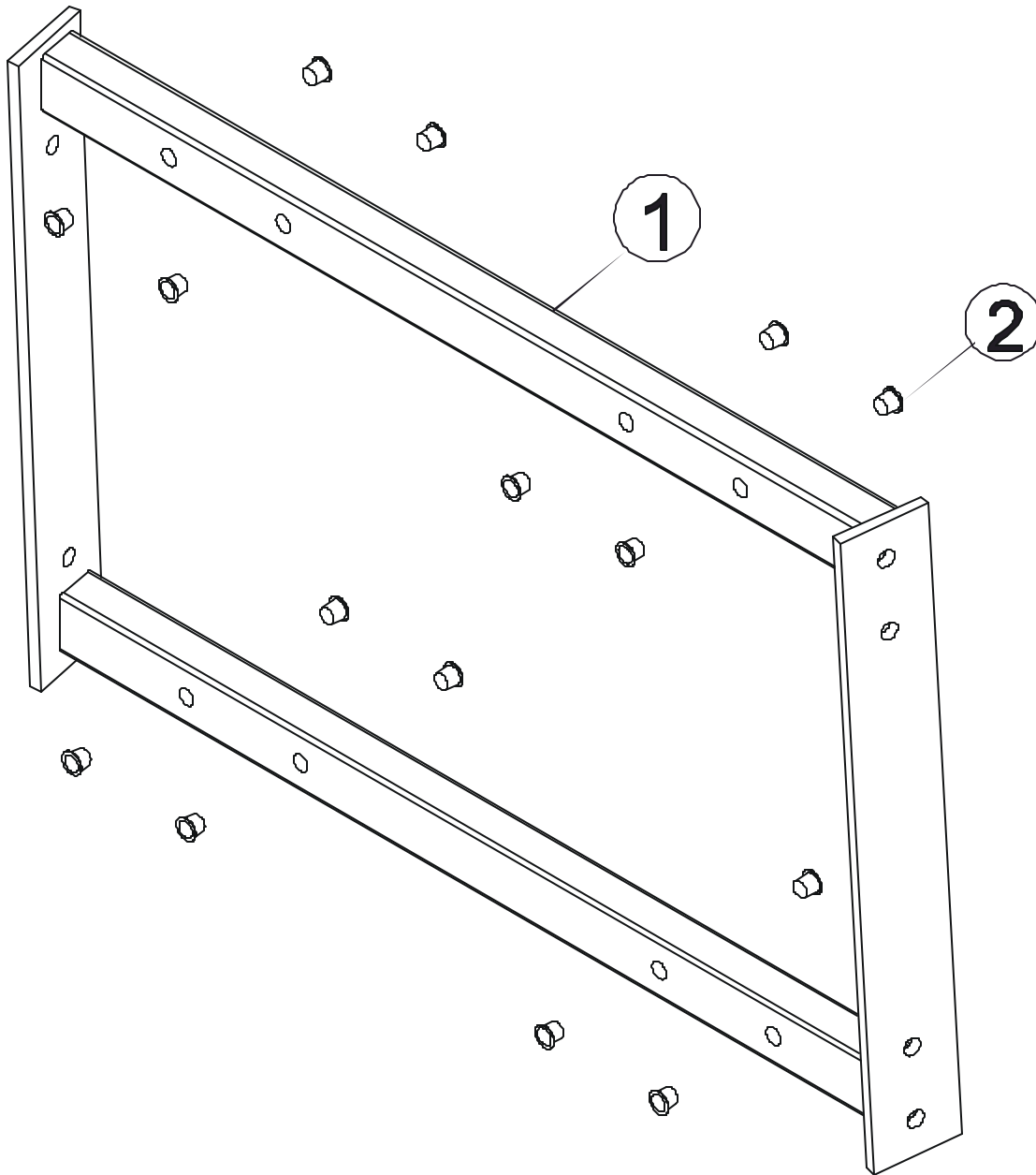
HAMMER STRENGTH EQUIPMENT

ILHR - Exploded Assembly



ITEM NO.	QTY	PART NO.	DESCRIPTION	ITEM NO.	QTY	PART NO.	DESCRIPTION
1	1	ILHR-CFX-0	ASSM FRONT CROSSMEMBER	12	1	ILHR-CTX-0	ASSM TOP CROSSMEMBER
2	1	ILHR-CSFL-0	ASSM LEFT SIDE FRAME	13	1	ILHR-CBX-0	ASSM BACK CROSSMEMBER
3	20	WASH.5STAR	1/2" Internal Lock Washer	14	1	ILHR-CMAL-0	ASSM LEFT MOVEMENT ARM
4	12	NUT.5LOCK	1/2" Thick Lock Nut	15	1	ILHR-CMAR-0	ASSM RIGHT MA
5	12	H-BACK-WASH	Backing Washer	16	1	UROW	ROW CHEST PAD
6	12	HHB.5X3	1/2 X 3 Bolt	17	1	U12-5 REG	12" Triangular Pad
7	1	ILHR-CSFR-0	ASSM RIGHT SIDE FRAME	18	2	U4W	Knee Pad
8	1	ILHR-CST-0	ASSM SEAT FRAME	19	6	HHB.375X1.5	3/8 X 1 1/2 Bolt
9	4	NUT.5JAMLOCK	1/2" Thin Lock Nut	20	10	WASH.375SAE	3/8" SAE Flat Washer
10	2	HHB.5X2.5	1/2 X 2 1/2 Bolt	21	4	HHB.375X2.5	3/8 X 2 1/2 Bolt
11	2	HHB.5X1.5	1/2 X 1 1/2 Bolt				

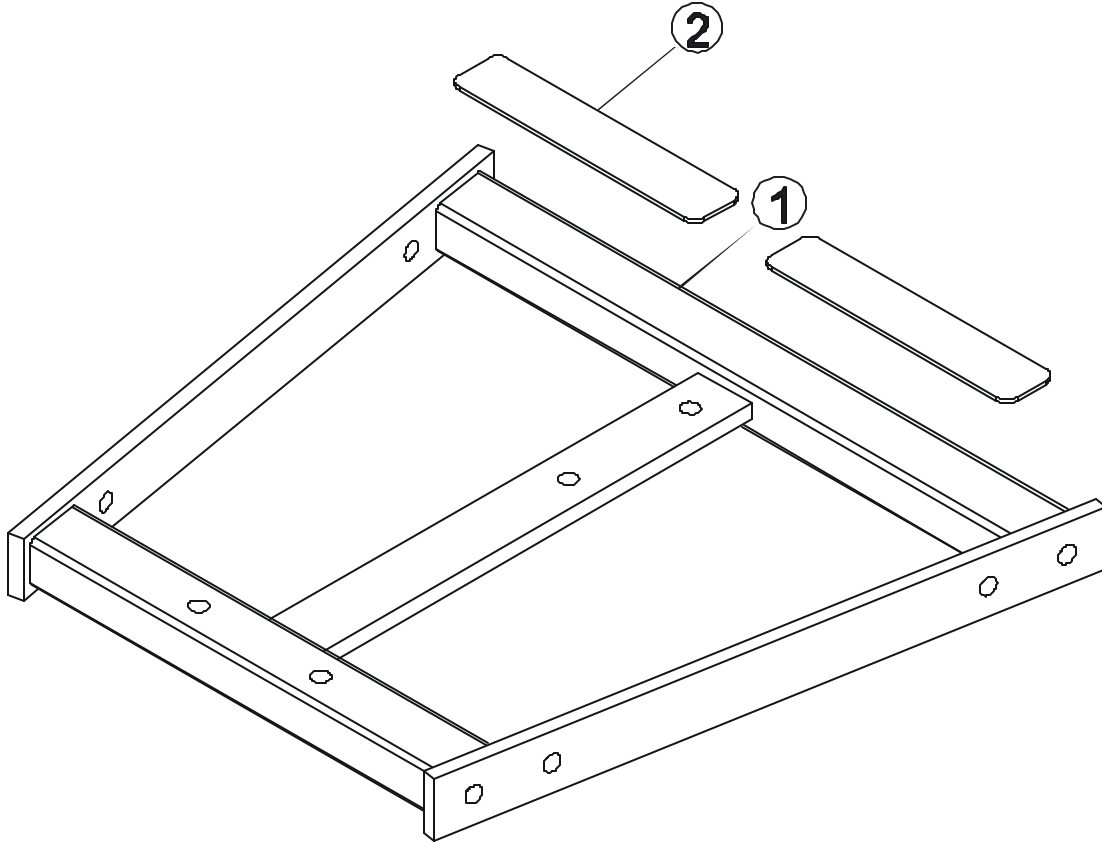
HAMMER STRENGTH EQUIPMENT
ILHR - Back Cross-Member



ITEM NO.	QTY.	PART NO.	DESCRIPTION
1	1	ILHR-BX-0	BACK CROSSMEMBER
2	16	H-HPLUG(REG)	9/16" Hole Plug

HAMMER STRENGTH EQUIPMENT

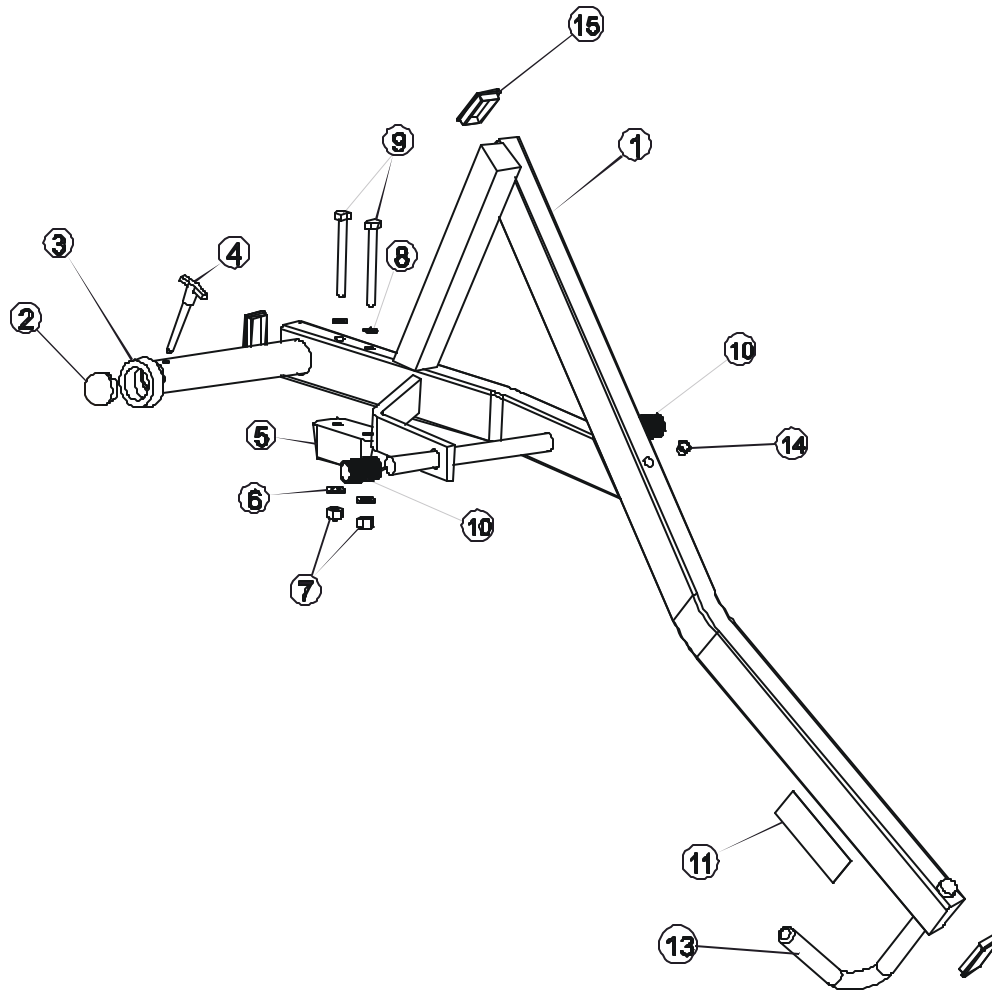
ILHR – Front Cross-Member



ITEM NO.	QTY.	PART NO.	DESCRIPTION
1	1	ILHR-FX-0	FRONT CROSSMEMBER
2	2	H-NONSKID2	1 3/4 X 9 Nonskid

HAMMER STRENGTH EQUIPMENT

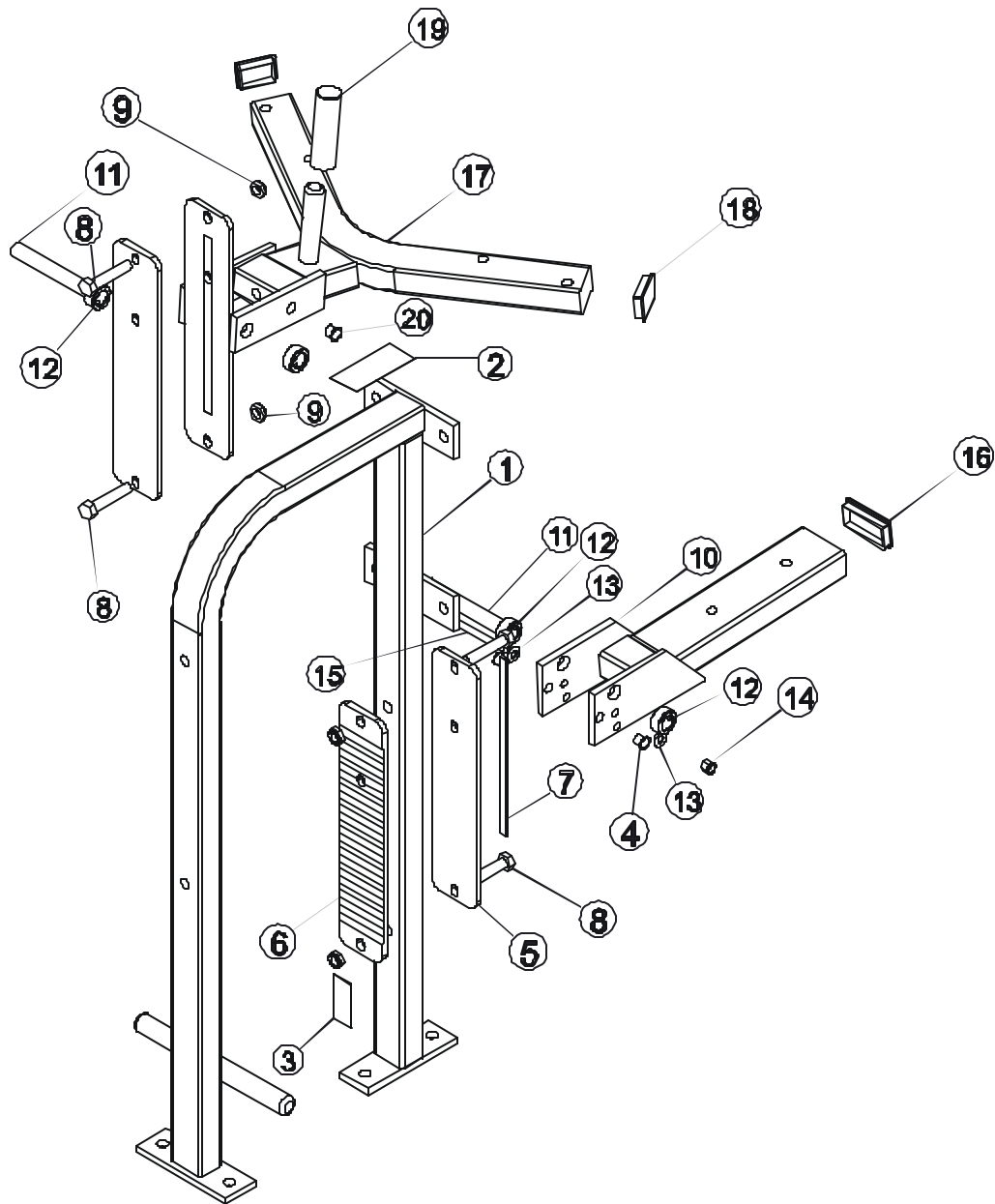
ILHR – Movement Arm



ITEM NO.	QTY.	PART NO.	DESCRIPTION
1	1	ILHR-MAL-0	LEFT MOVEMENT ARM
2	2	H-BENDCAP	Bullet Cap
3	1	H-RUBRNG	MM5 Ring
4	1	SELECTOR PIN-4	SELECTOR PIN 4 INCH
5	1	H-BUMP-MED	MM2 Medium
6	2	WASH.5SAE	1/2" SAE Flat Washer
7	2	NUT.5LOCK	1/2" Thick Lock Nut
8	2	WASH.5STAR	1/2" Internal Lock Washer
9	2	HHB.5X4.5	1/2 X 4 1/2 Bolt
10	2	ACCORDIAN	Shaft Guard
11	1	WARNING LARGE-H	Large Warning Hor
12	1	STAY CLEAR	Stay Clear Decal
13	1	H-GRIP(ILHR-B00)	HandGrip
14	1	H-HPLUG(REG)	9/16" Hole Plug
15	3	H-PEND3	1 1/2 X 3 End Cap

HAMMER STRENGTH EQUIPMENT

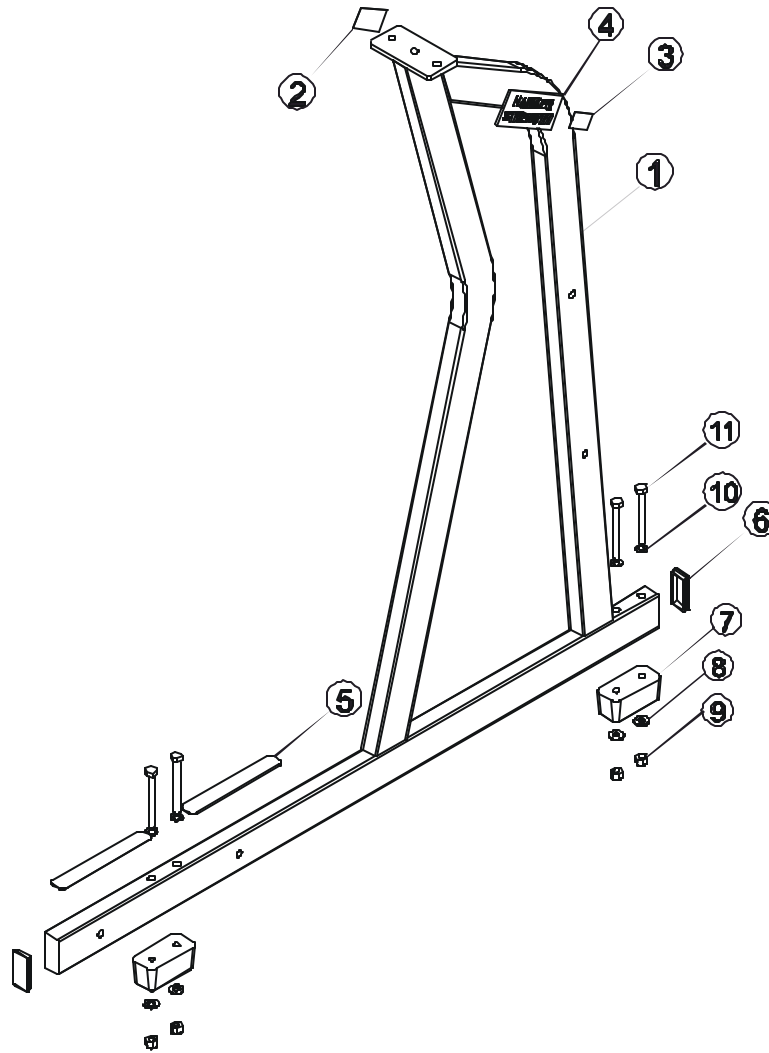
ILHR – Seat Frame



ITEM NO.	QTY	PART NO.	DESCRIPTION	ITEM NO.	QTY	PART NO.	DESCRIPTION
1	1	ILHR-ST-0	SEAT FRAME	11	2	STshft	Seat Shaft
2	1	WARNING SMALL-V	Small Warning Vert.	12	4	H-LCOLLAR75	3/4" Lock Collar
3	1	SERIAL NUMBER	Serial Number	13	2	WASH.375SAE	3/8" SAE Flat Washer
4	2	H-HPLUG(SMALL)	9/16" Hole Plug	14	1	NUT.375LOCK	3/8" Thick Lock Nut
5	3	H-SEATRCKS	Seatrack Front	15	1	HHB.375X4.5	3/8 X 4.5 Bolt
6	1	H-SEATRCKS-RIB	Seatrack Back	16	1	H-PEND3	1 1/2 X 3 End Cap
7	1	SEAT NUMBER	Seat Adj. Number	17	1	ST4-C01	Std. Seat #4
8	4	HHB.5X2.5	1/2 X 2 1/2 Bolt	18	2	H-PEND2	1 1/2 X 2 Endcap
9	4	NUT.5JAMLOCK	1/2" Thin Lock Nut	19	1	H-GRIP(ST4-A00)	HandGrip
10	1	STD-ST	Standard Seat #1	20	2	H-HPLUG(REG)	9/16" Hole Plug

HAMMER STRENGTH EQUIPMENT

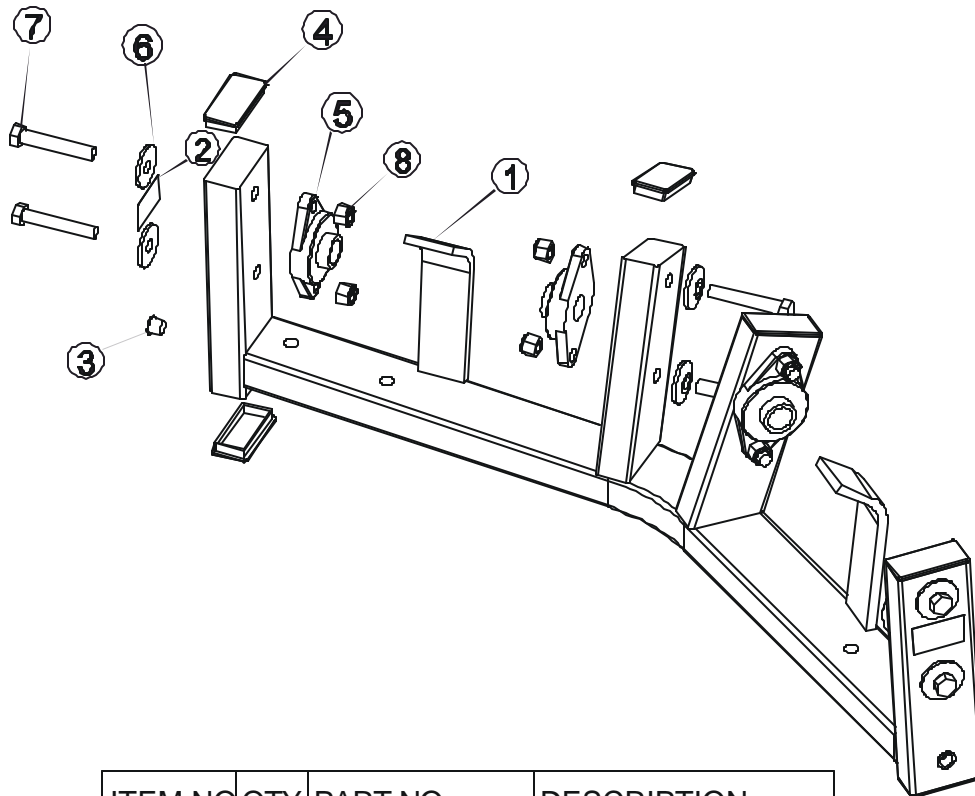
ILHR – Side Frame



ITEM NO.	QTY.	PART NO.	DESCRIPTION
1	1	ILHR-SF-0	SIDE FRAME
2	1	PATENT	Patent Decal
3	1	STAY CLEAR	Stay Clear Decal
4	1	H-NAMEPLATE	Name Plate
5	2	H-NONSKID1	1 1/4 X 9 Nonskid
6	2	H-PEND3	1 1/2 X 3 End Cap
7	2	H-BUMP-MED	MM2 Medium
8	4	WASH.5SAE	1/2" SAE Flat Washer
9	4	NUT.5LOCK	1/2" Thick Lock Nut
10	4	WASH.5STAR	1/2" Internal Lock Washer
11	4	HHB.5X4.5	1/2 X 4 1/2 Bolt

HAMMER STRENGTH EQUIPMENT

ILHR – Top Cross-Member



ITEM NO.	QTY.	PART NO.	DESCRIPTION
1	1	ILHR-TX-0	TOP CROSSMEMBER
2	2	STAY CLEAR	Stay Clear Decal
3	2	H-HPLUG(REG)	9/16" Hole Plug
4	6	H-PEND3	1 1/2 X 3 End Cap
5	4	H-BEAR-SML	Small Bearing
6	8	H-BACK-WASH	Backing Washer
7	8	HHB.5X3	1/2 X 3 Bolt
8	8	NUT.5LOCK	1/2" Thick Lock Nut