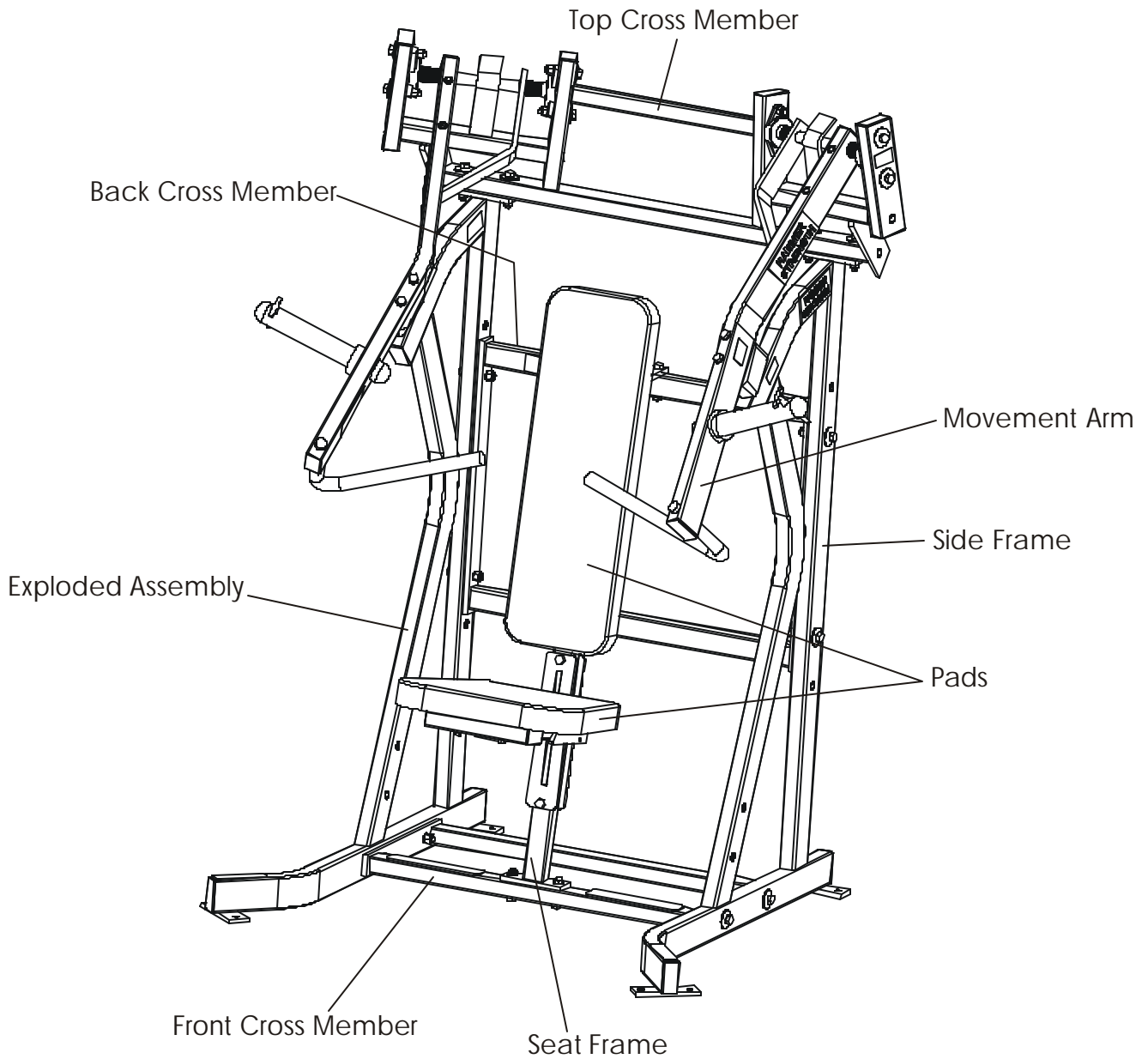


# HAMMER STRENGTH EQUIPMENT

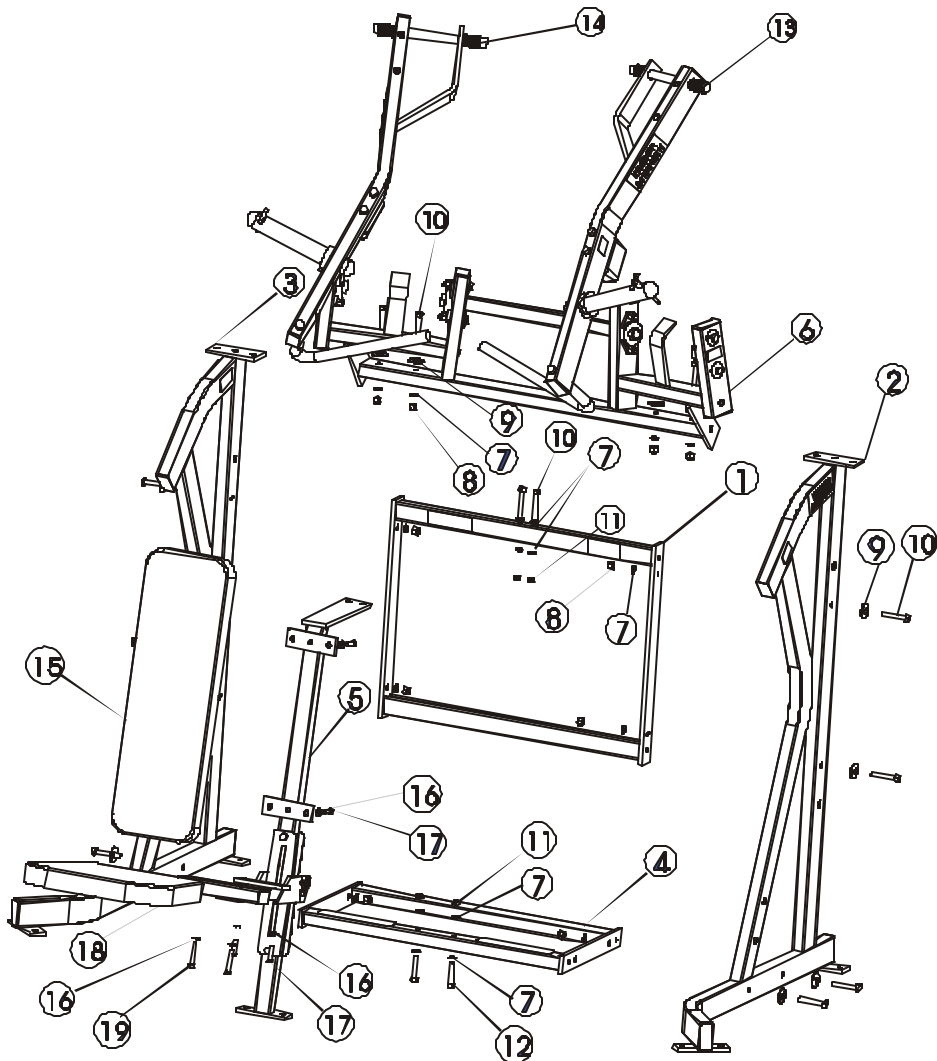
## ILIP-H - ISO Lateral Incline Press Rev. D

---



# HAMMER STRENGTH EQUIPMENT

## ILIP-H - Exploded Assembly

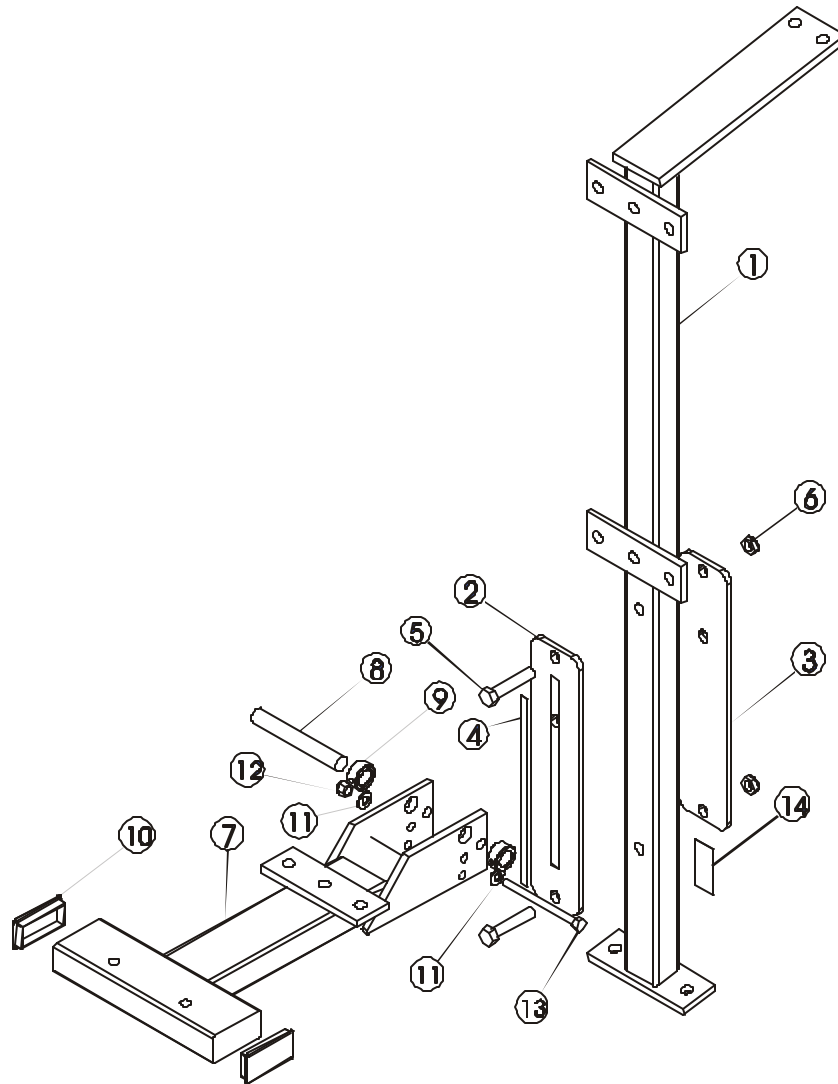


ITEM NO.	QTY.	PART NO.	DESCRIPTION
1	1	ILIP-CBX-0	ASSM. BACK X-MEMBER
2	1	ILIP-CSFL-0	ASSM. LEFT SIDE FRAME
3	1	ILIP-CSFR-0	ASSEM. RIGHT SIDE FRAME
4	1	ILIP-CFX-0	ASSM. FRONT X-MEMBER
5	1	ILIP-CST-0	ASSM. SEAT FRAME
6	1	ILIP-CTX-0	ASSM. TOP X-MEMBER
7	20	WASH.5STAR	1/2" Internal Lock Washer
8	12	NUT.5LOCK	1/2" Thick Lock Nut
9	12	H-BACK-WASH	Backing Washer
10	14	HHB.5X3	1/2 X 3 Bolt
11	4	NUT.5JAMLOCK	1/2" Thin Lock Nut
12	2	HHB.5X2.5	1/2 X 2 1/2 Bolt
13	1	ILIP-CMALH-0	ASSEM. LEFT MOVEMENT ARM HOR. HANDLE
14	1	ILIP-CMARH-0	ASSEM. RIGHT MOVEMENT ARM HOR. HANDLE
15	1	U33-19	Standard 33" Pad
16	8	WASH.375SAE	3/8" SAE Flat Washer
17	6	HHB.375X1.5	3/8 X 1 1/2 Bolt
18	1	U16-11	Standard 16" Pad
19	2	HHB.375X2.5	3/8 X 2 1/2 Bolt

# HAMMER STRENGTH EQUIPMENT

## ILIP-H - Seat Frame

---

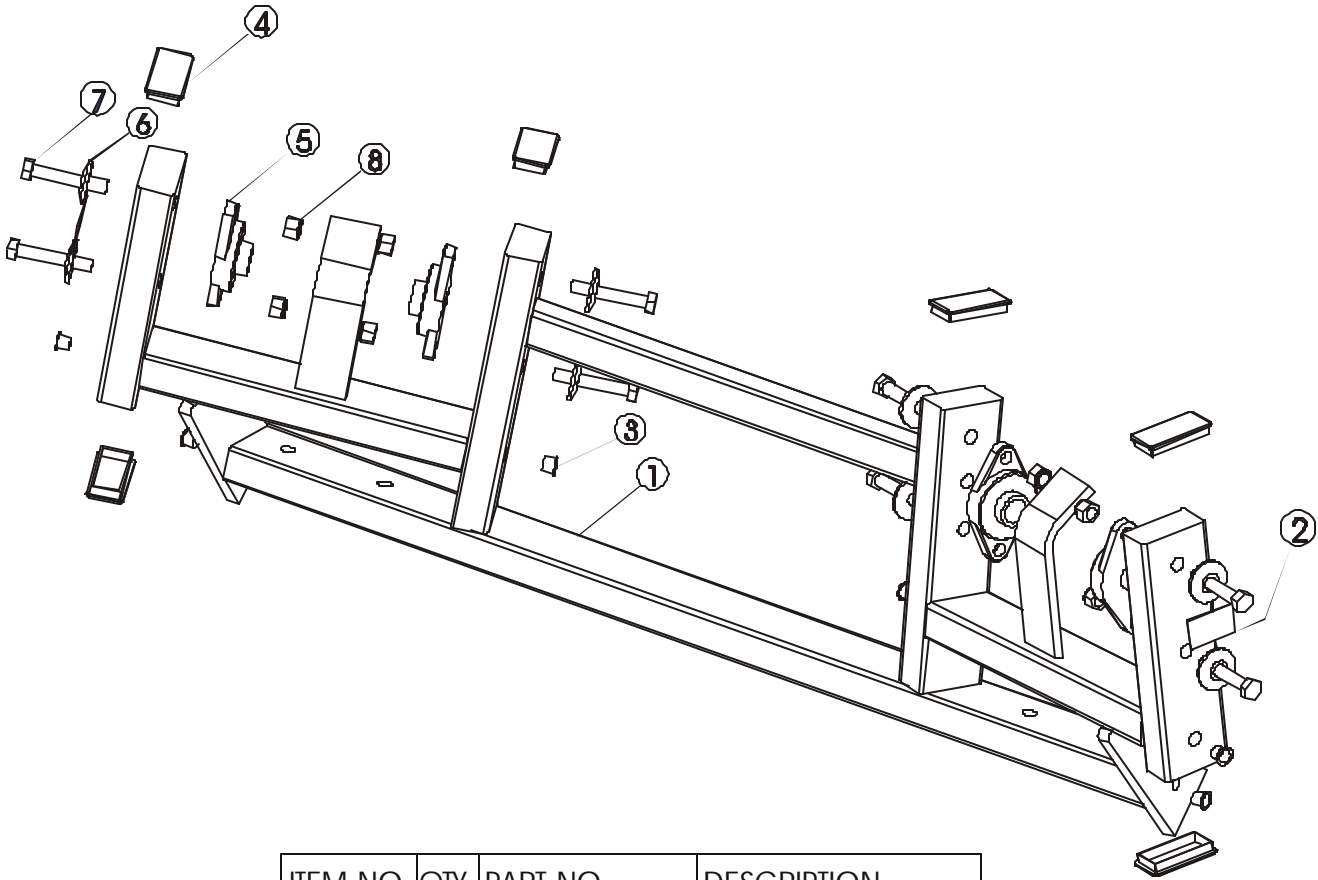


ITEM NO.	QTY.	PART NO.	DESCRIPTION
1	1	ILIP-ST-0	SEAT FRAME
2	1	H-SEATRCKS	Seatrack Front
3	1	H-SEATRCKS-RIB	Seatrack Back
4	1	SEAT NUMBER	Seat Adj. Number
5	2	HHB.5X2.5	1/2 X 2 1/2 Bolt
6	2	NUT.5JAMLOCK	1/2" Thin Lock Nut
7	1	STD-ST2	Standard Seat #2
8	1	STshft	Seat Shaft
9	2	H-LCOLLAR75	3/4" Lock Collar
10	2	H-PEND3	1 1/2 X 3 End Cap
11	2	WASH.375SAE	3/8" SAE Flat Washer
12	1	NUT.375LOCK	3/8" Thick Lock Nut
13	1	HHB.375X4.5	3/8 X 4.5 Bolt
14	1	SERIAL NUMBER	Serial Number

# HAMMER STRENGTH EQUIPMENT

## ILIP-H - Top Cross Assembly

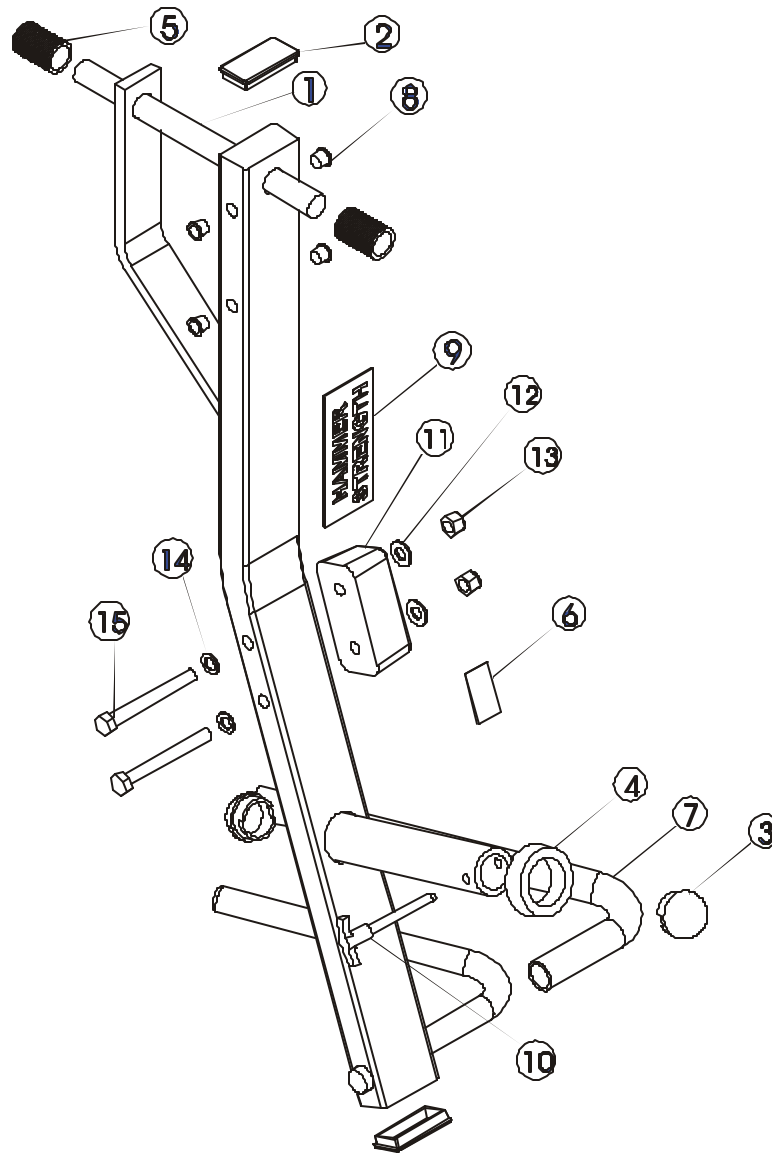
---



ITEM NO.	QTY.	PART NO.	DESCRIPTION
1	1	ILIP-TX-0	TOP X -MEMBER
2	2	STAY CLEAR	Stay Clear Decal
3	6	H-HPLUG	9/16" Hole Plug
4	6	H-PEND3	1 1/2 X 3 End Cap
5	4	H-BEAR-SML	Small Bearing
6	8	H-BACK-WASH	Backing Washer
7	8	HHB.5X3	1/2 X 3 Bolt
8	8	NUT.5LOCK	1/2" Thick Lock Nut

# HAMMER STRENGTH EQUIPMENT

## ILIP-H - Movement Arm

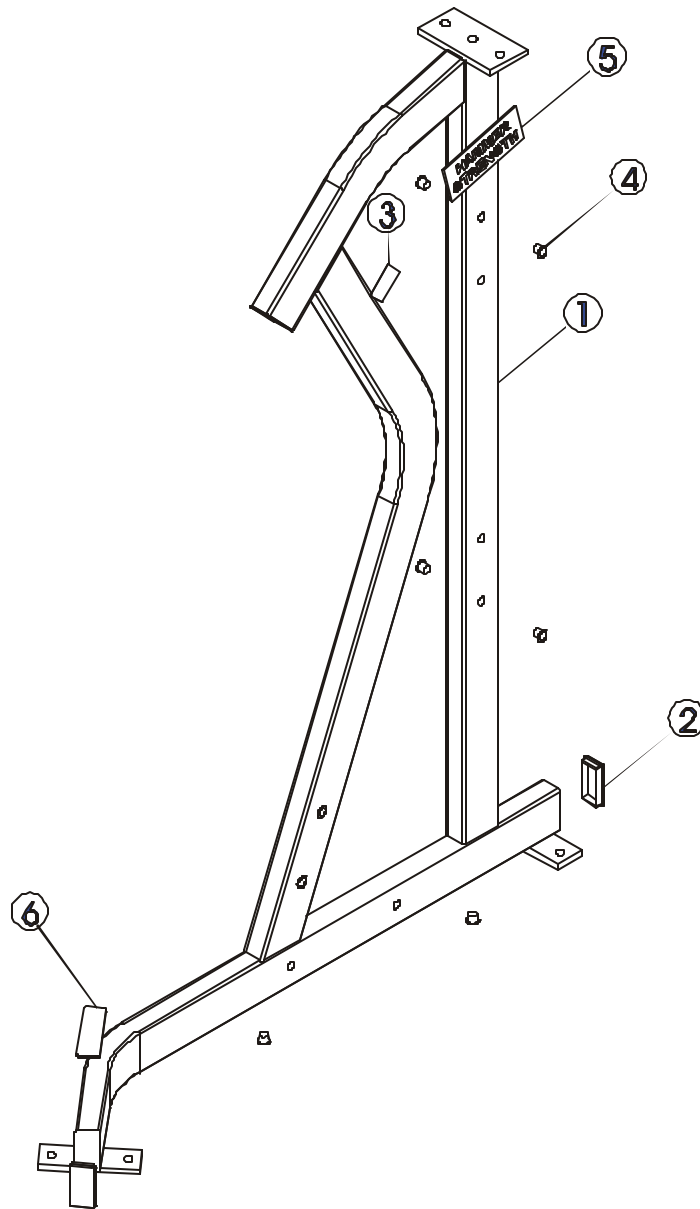


ITEM NO.	QTY.	PART NO.	DESCRIPTION
1	1	ILIP-MALH-0	LEFT MOVEMENT ARM HOR. HANDLE
2	2	H-PEND3	1 1/2 X 3 End Cap
3	2	H-BENDCAP	Bullet Cap
4	1	H-RUBRNG	MM5 Ring
5	2	ACCORDIAN	Shaft Guard
6	1	STAY CLEAR	Stay Clear Decal
7	1	H-GRIP(ILIP-B00)	HandGrip
8	4	H-HPLUG	9/16" Hole Plug
9	1	H-NAMEPLATE	Name Plate
10	1	SELECTORPIN-4	Selector Pin
11	1	H-BUMP-MED	MM2 Medium
12	2	WASH.5SAE	1/2" SAE Flat Washer
13	2	NUT.5LOCK	1/2" Thick Lock Nut
14	2	WASH.5STAR	1/2" Internal Lock Washer
15	2	HBB.5X4.5	1/2 X 4 1/2 Bolt

# HAMMER STRENGTH EQUIPMENT

## ILIP - Side Frame

---

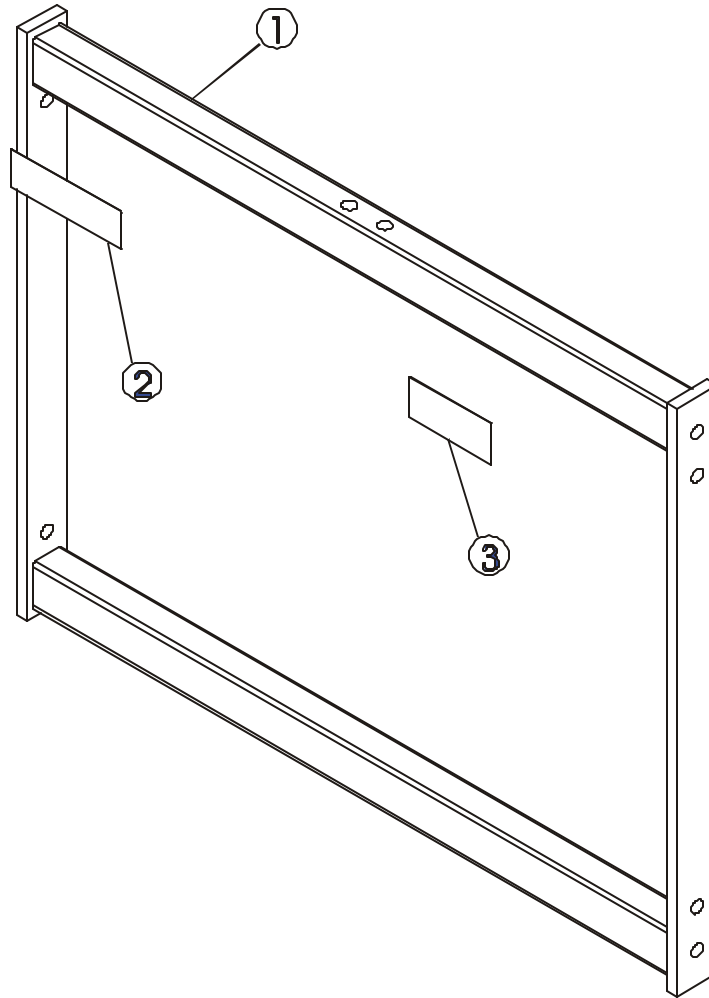


ITEM NO.	QTY.	PART NO.	DESCRIPTION
1	1	ILIP-SFR-0	Right SIDE FRAME
1	1	ILIP-SFL-0	LEFT SIDE FRAME
2	3	H-PEND3	1 1/2 X 3 End Cap
3	1	STAY CLEAR	Stay Clear Decal
4	10	H-HPLUG	9/16" Hole Plug
5	1	H-NAMEPLATE	Name Plate
6	1	H-PLATE-G1	Small Plate Guard

# HAMMER STRENGTH EQUIPMENT

## ILIP - Back Cross Member

---

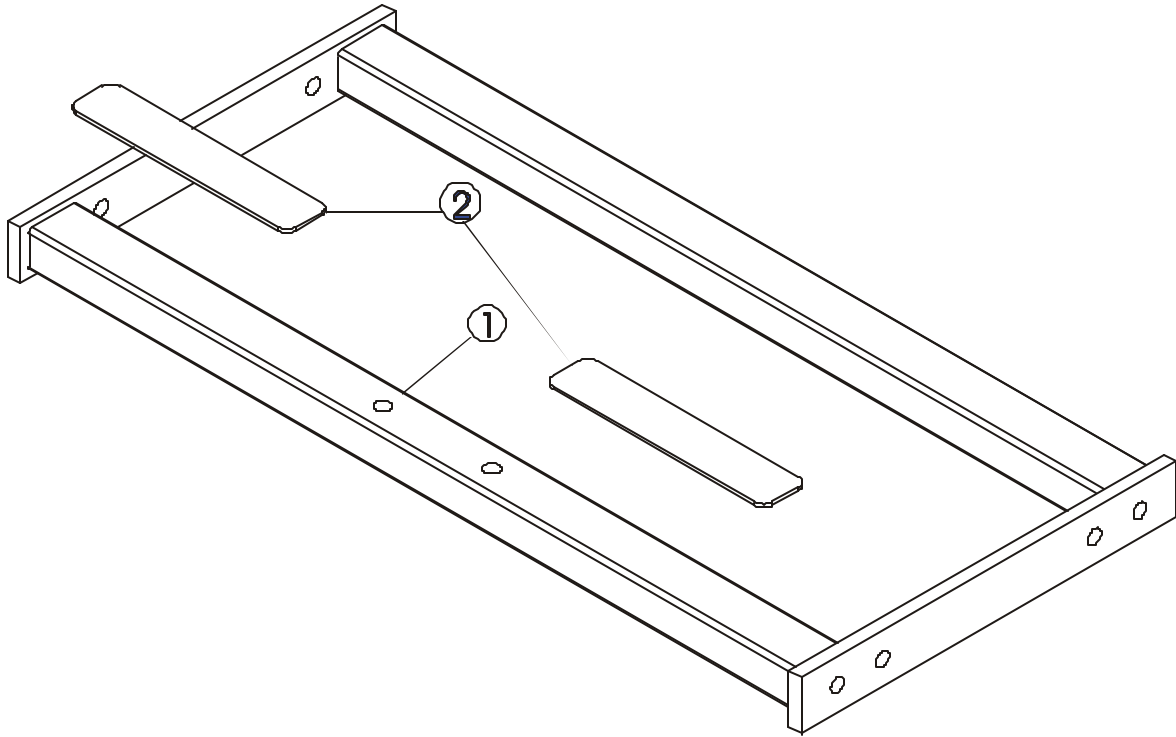


ITEM NO.	QTY.	PART NO.	DESCRIPTION
1	1	ILIP-BX-0	BACK X-MEMBER
2	1	ISO INCLINE PRESS	Product Decal
3	1	WARNING SMALL-4	Small Warning

# HAMMER STRENGTH EQUIPMENT

## ILIP-H - Front Cross Member

---



ITEM NO.	QTY.	PART NO.	DESCRIPTION
1	1	ILIP-FX-0	FRONT X-MEMBER
2	2	H-NONSKID2	1 3/4 X 9 Nonskid