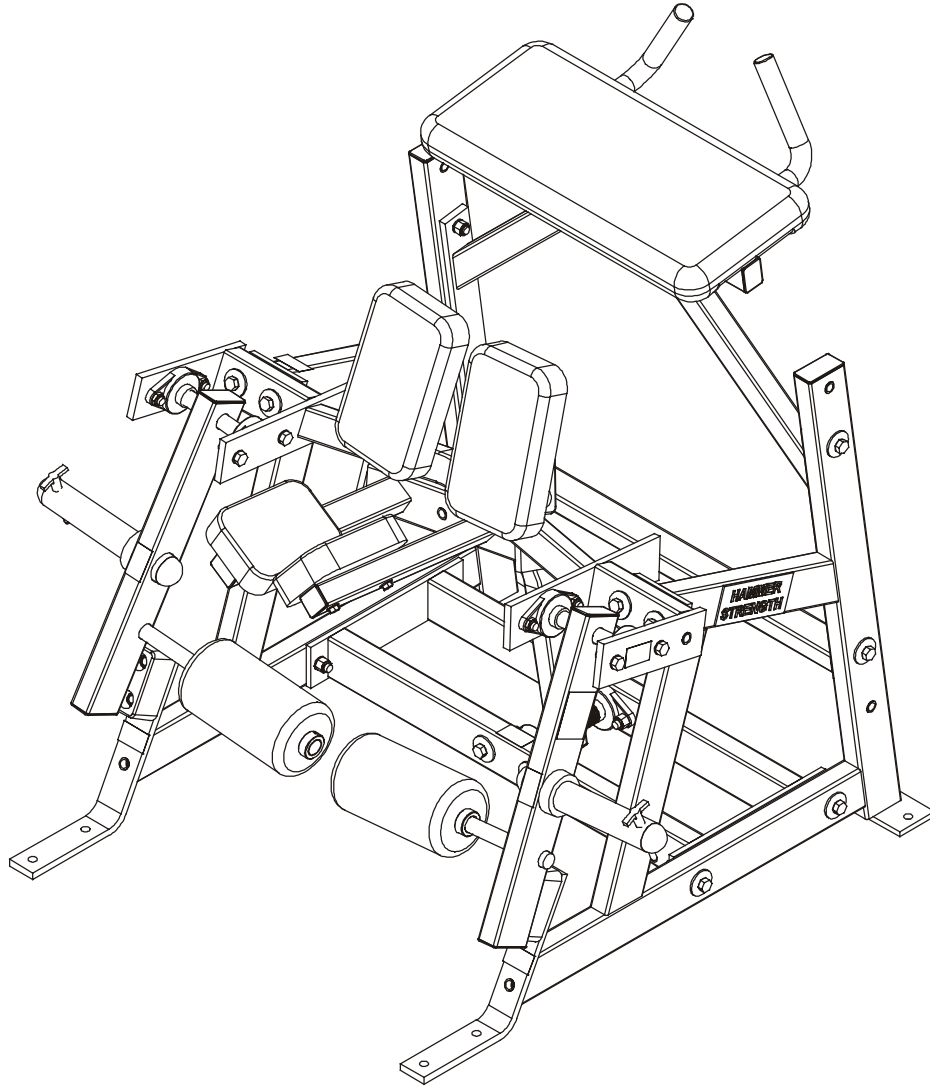


# *LifeFitness*

## HAMMER STRENGTH EQUIPMENT ISO Lateral Kneeling Leg Curl Assembly



## Customer Support Services ***PARTS MANUAL***

**HAMMER STRENGTH EQUIPMENT**  
**ISO Lateral Kneeling Leg Curl Assembly**  
**NOTES:**

---

# HAMMER STRENGTH EQUIPMENT

## ISO Lateral Kneeling Leg Curl Assembly

### TABLE OF CONTENTS

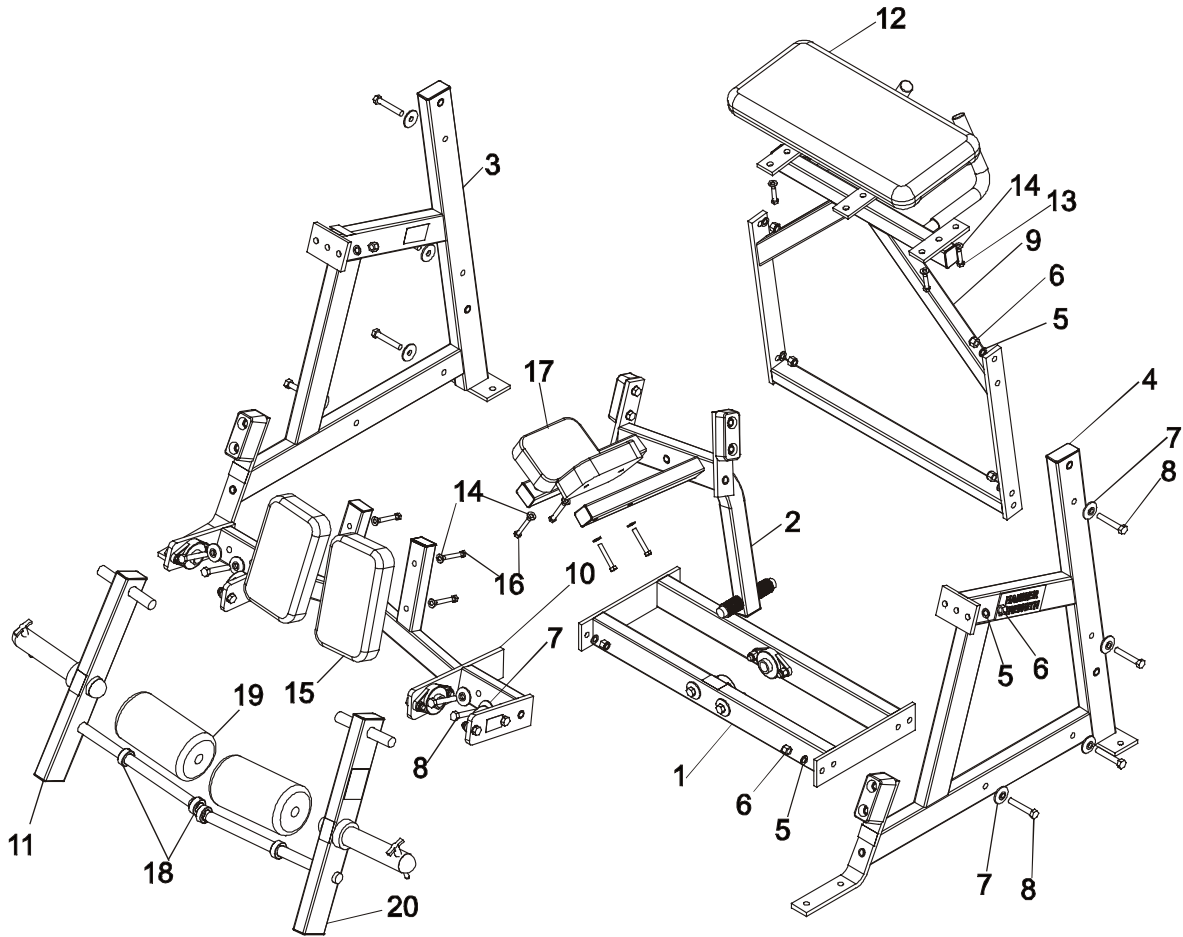
---

	PAGE
EXPLODED ASSEMBLY .....	4
KNEE PAD ASSEMBLY .....	5
LEFT MOVEMENT ARM.....	6
SIDE FRAME.....	7
WORKBOX ASSEMBLY.....	8
BOTTOM CROSS-FRAME ASSEMBLY.....	9
FRONT CROSS-FRAME ASSEMBLY .....	10

# HAMMER STRENGTH EQUIPMENT

## ISO Lateral Kneeling Leg Curl Assembly

### ILKLC – Exploded Assembly

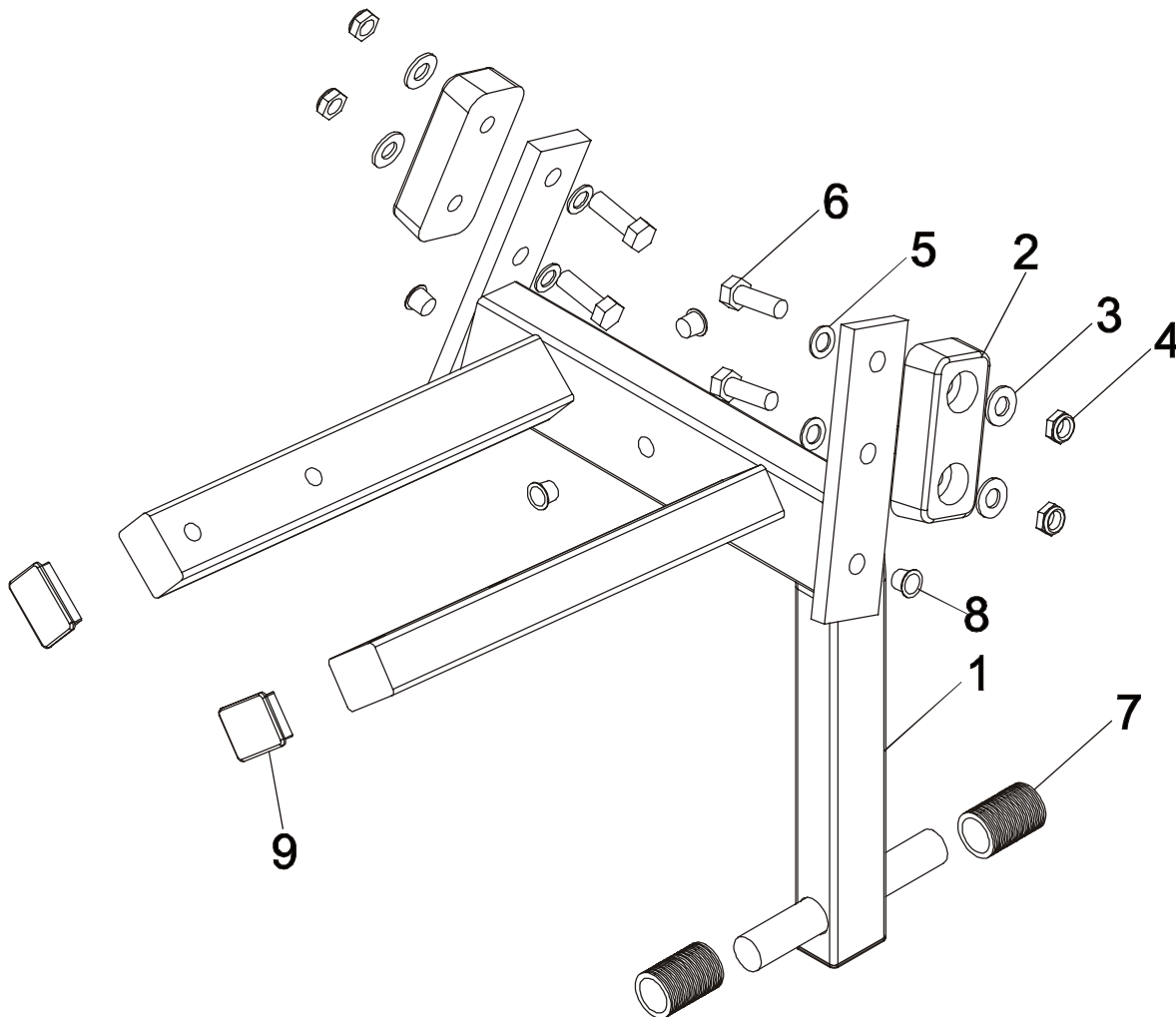


ITEM NO	QTY	PART NO.	DESCRIPTION
1	1	ILKLC-CBX-0	ASSM BOTTOM CROSS FRAME
2	1	ILKLC-CETC-0	ASSM ETC KNEE
3	1	ILKLC-CSFL-1	ASSM LEFT SIDE FRAME
4	1	ILKLC-CSFR-0	ASSM RIGHT SIDE FRAME
5	12	WASH.5STAR	1/2" Internal Lock Washer
6	12	NUT.5LOCK	1/2" Thick Lock Nut
7	12	H-BACK WASH	Backing Washer
8	12	HHB.5X3	1/2 X 3 Bolt
9	1	ILKLC-CFX-0	ASSM FRONT CROSS FRAME
10	1	ILKLC-CWB-1	ASSM WORK BOX
11	1	ILKLC-CMAL-0	ASSM LEFT MOVEMENT ARM
12	1	UCBI	Elbow Pad
13	4	HHB.375X1.5	3/8 X 1 1/2 Bolt
14	12	WASH.375SAE	3/8" SAE Flat Washer
15	2	U10-4.5	Rect Pad
16	8	HHB.375X2.5	3/8 X 2 1/2 Bolt
17	2	U7-4.5	7" PAD
18	4	H-LCOLLAR1	3/4" Lock Collar
19	2	URP-1	Roller Pad
20	1	ILKLC-CMAr-0	ASSM RIGHT MOVEMENT ARM

# HAMMER STRENGTH EQUIPMENT

## ISO Lateral Kneeling Leg Curl Assembly

### ILKLC – Knee Pad Assembly



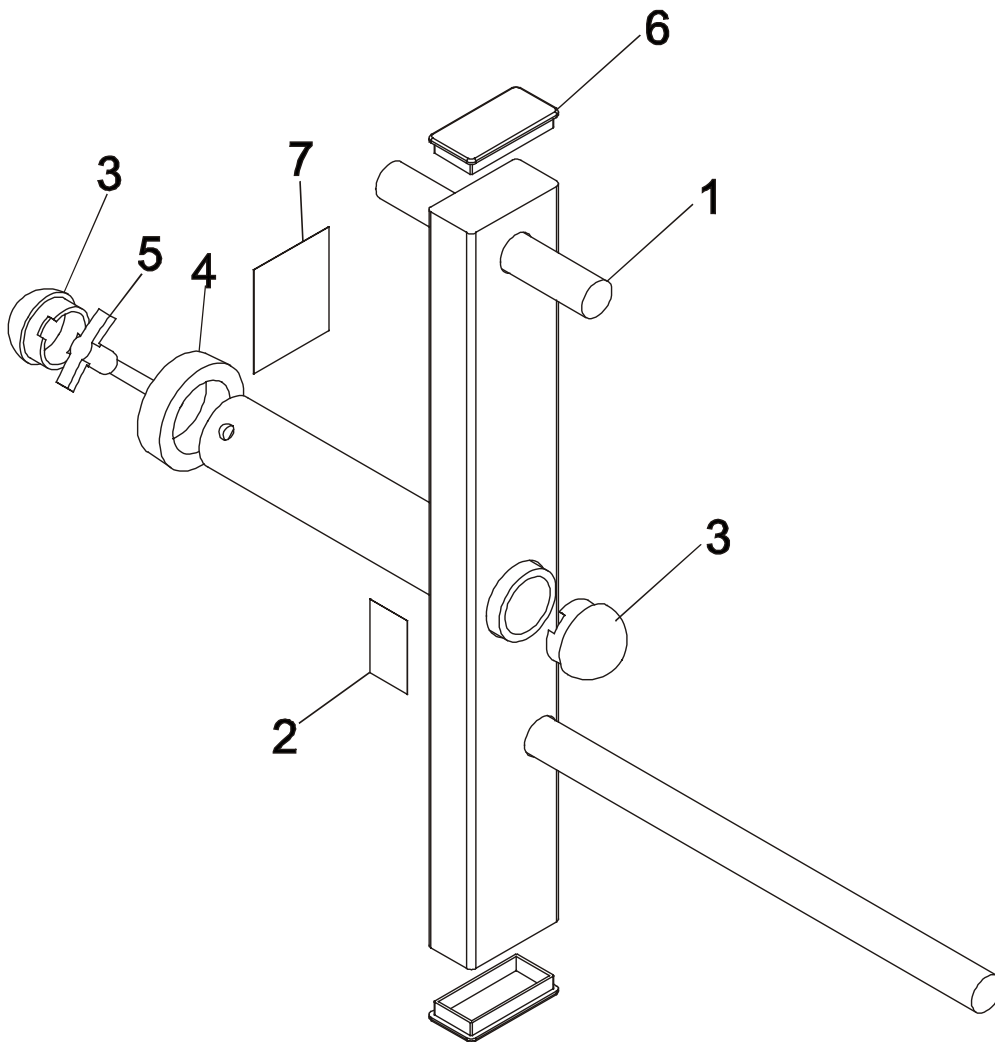
ITEM NO.	QTY.	PART NO.	DESCRIPTION
1	1	ILKLC-ETC-0	ETC. KNEE PAD
2	2	H-BUMP-SML	MM3 Small Bumper
3	4	WASH.5SAE	1/2" SAE Flat Washer
4	4	NUT.5JAMLOCK	1/2" Thin Lock Nut
5	4	WASH.5STAR	1/2" Internal Lock Washer
6	4	HHB.5X1.5	1/2 X 1 1/2 Bolt
7	2	ACCORDIAN	Shaft Guard
8	5	H-HPLUG	Hole Plug
9	3	H-PEND2	1 1/2 X 2 Endcap

# HAMMER STRENGTH EQUIPMENT

## ISO Lateral Kneeling Leg Curl Assembly

ILKLC - Left Movement Arm Shown, Right Arm Mirror

---



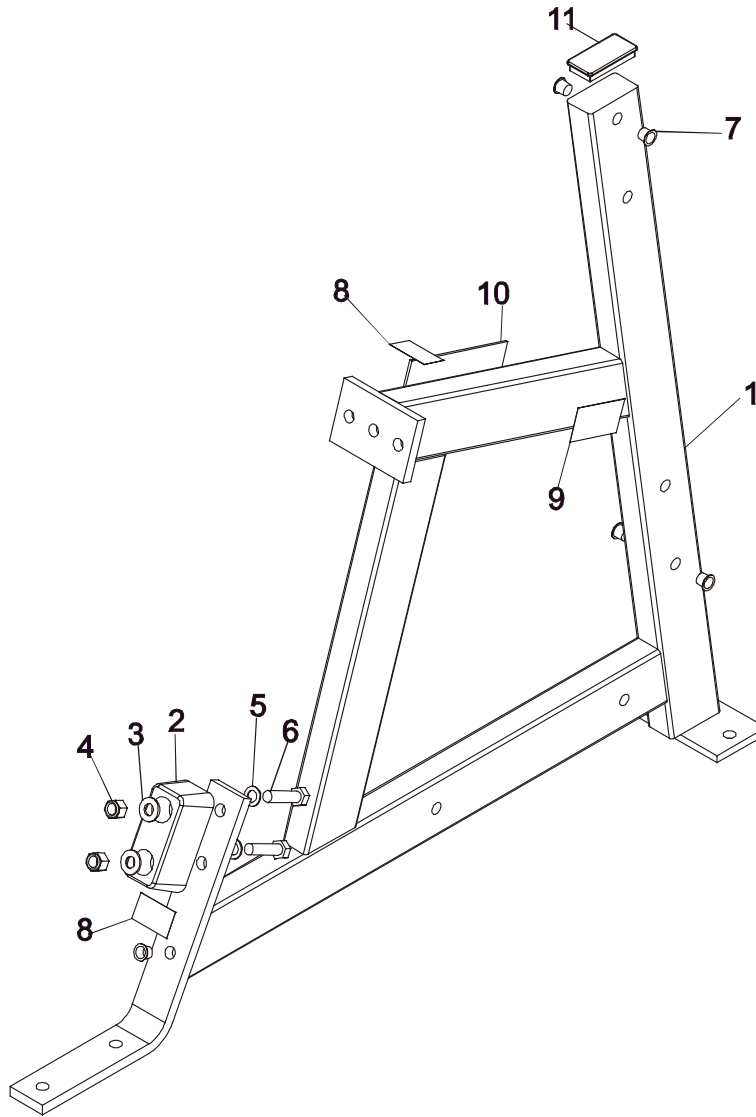
ITEM	QTY.	PART NO.	DESCRIPTION
1	1	ILKLC-MAL-0	LEFT MOVEMENT ARM
2	1	STAY CLEAR	Stay Clear Decal
3	2	H-BENDCAP	Bullet Cap
4	1	H-RUBRNG	MM5 Ring
5	1	SELECTOR PIN-4	SELECTOR PIN 4 INCH
6	2	H-PEND3	1 1/2 X 3 End Cap
7	1	MAX WEIGHT 25 LB	Max Weight 25lb

# HAMMER STRENGTH EQUIPMENT

## ISO Lateral Kneeling Leg Curl Assembly

ILKLC – Left Side Frame, Right Side Frame Mirror w/o Patent

---



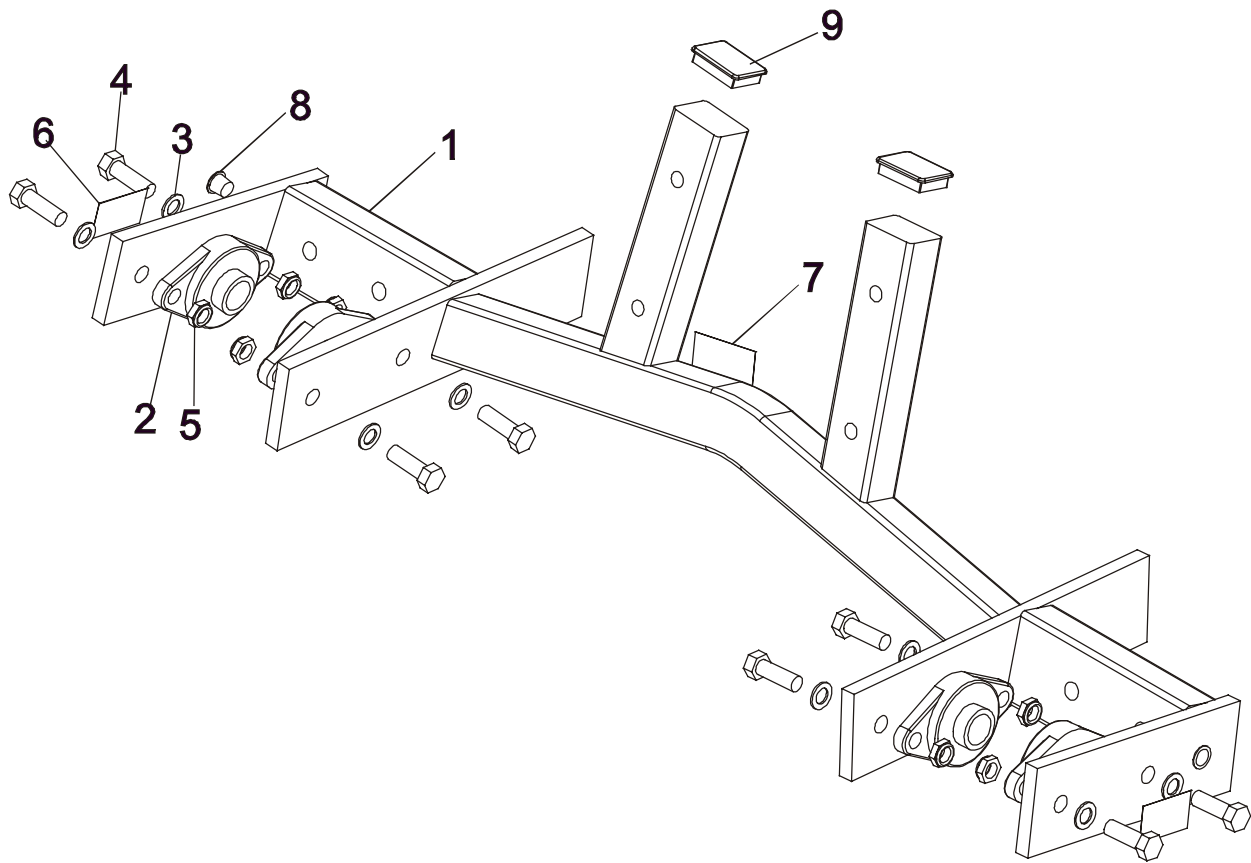
ITEM	QTY.	PART NO.	DESCRIPTION
1	1	ILKLC-SF-1	SIDE FRAME
2	1	H-BUMP-MED	MM2 Medium
3	2	WASH.5SAE	1/2" SAE Flat Washer
4	2	NUT.5LOCK	1/2" Thick Lock Nut
5	2	WASH.5STAR	1/2" Internal Lock Washer
6	2	HHB.5X2	1/2 X 2 Bolt
7	5	H-HPLUG(REG)	Hole Plug
8	2	STAY CLEAR	Stay Clear Decal
9	1	PATENT	Patent Decal
10	1	H-NAMEPLATE	Name Plate
11	1	H-PEND3	1 1/2 X 3 End Cap

# HAMMER STRENGTH EQUIPMENT

## ISO Lateral Kneeling Leg Curl Assembly

### ILKLC – Workbox Assembly

---



ITEM	QTY.	PART NO.	DESCRIPTION
1	1	ILKLC-WB-1	WORK BOX
2	4	H-BEAR-SML	Small Bearing
3	8	WASH.5STAR	1/2" Internal Lock Washer
4	8	HHB.5X1.5	1/2 X 1 1/2 Bolt
5	8	NUT.5JAMLOCK	1/2" Thin Lock Nut
6	2	STAY CLEAR	Stay Clear Decal
7	1	SERIAL NUMBER	Serial Number
8	2	H-HPLUG	Hole Plug
9	2	H-PEND2	1 1/2 X 2 Endcap

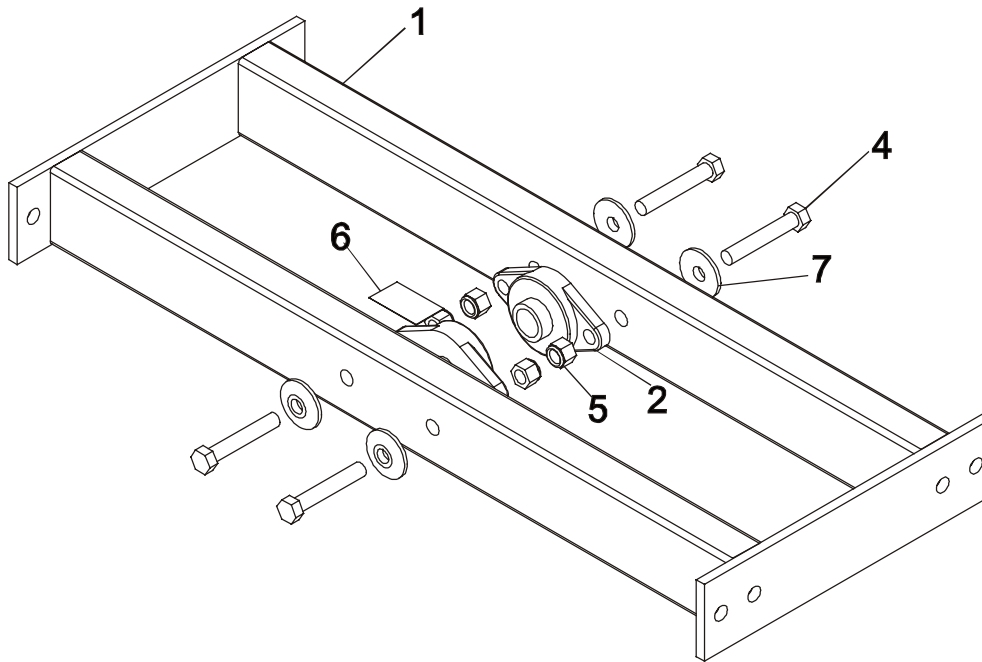


# HAMMER STRENGTH EQUIPMENT

## ISO Lateral Kneeling Leg Curl Assembly

### ILKLC – Bottom Cross-Frame Assembly

---



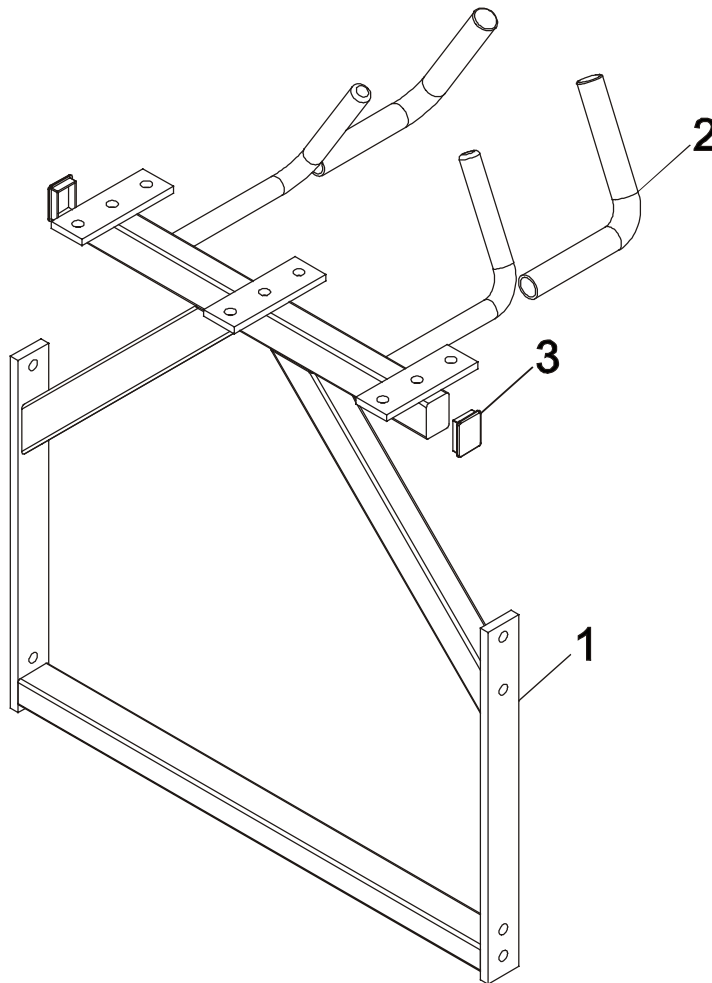
ITEM	QTY.	PART NO.	DESCRIPTION
1	1	ILKLC-BX-0	BOTTOM CROSS FRAME
2	2	H-BEAR-SML	Small Bearing
4	4	HHB.5X3	1/2 X 3 Bolt
5	4	NUT.5LOCK	1/2" Thick Lock Nut
6	1	STAY CLEAR	Stay Clear Decal
7	4	H-BACK WASH	Backing Washer

# HAMMER STRENGTH EQUIPMENT

## ISO Lateral Kneeling Leg Curl Assembly

### ILKLC – Front Cross-Frame Assembly

---



ITEM	QTY	PART NO.	DESCRIPTION
1	1	ILKLC-FX-0	FRONT CROSS FRAME
2	2	H-GRIP(ILKLC-A00)	HandGrip
3	2	H-PEND2	1 1/2 X 2 Endcap