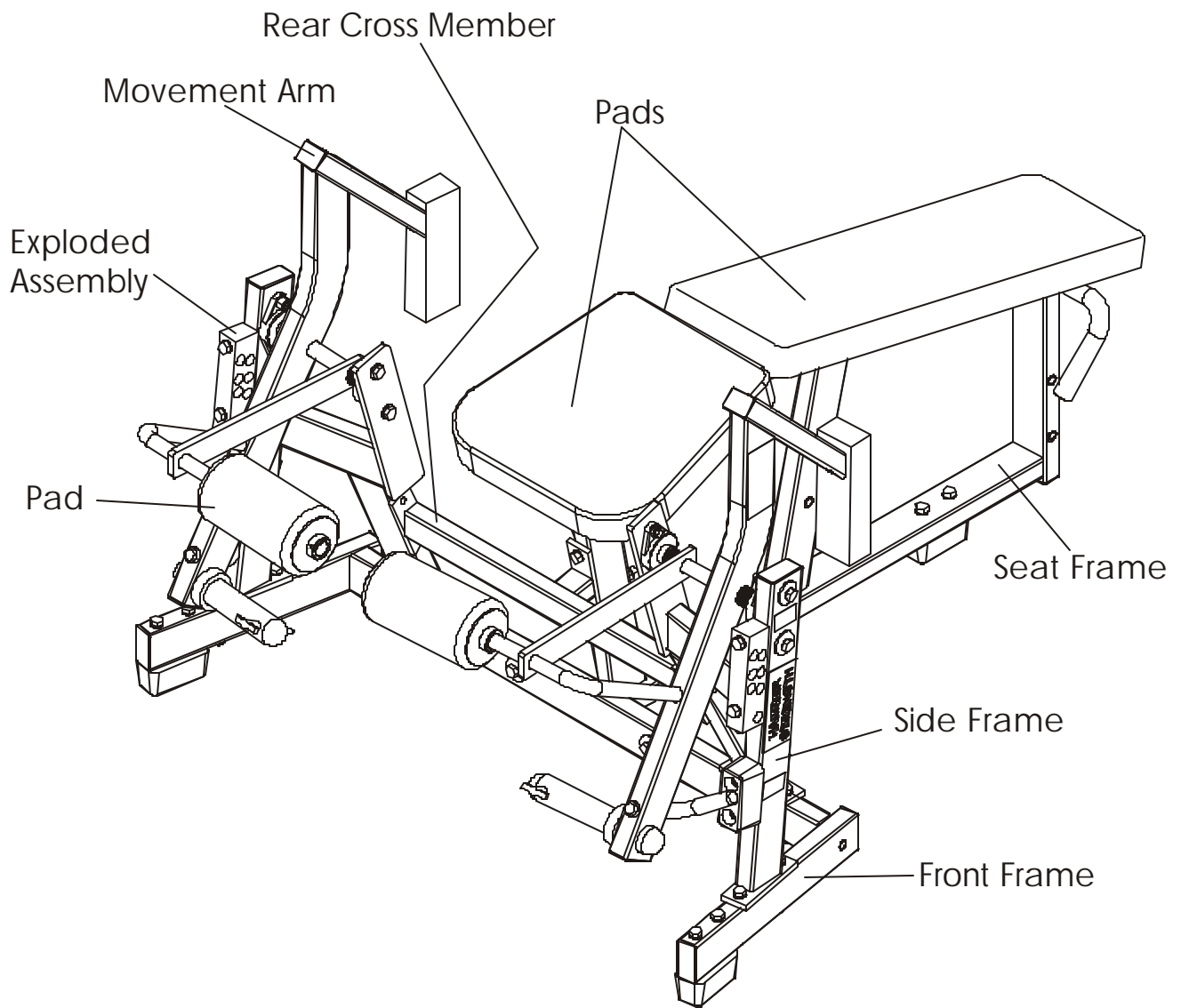


# HAMMER STRENGTH EQUIPMENT

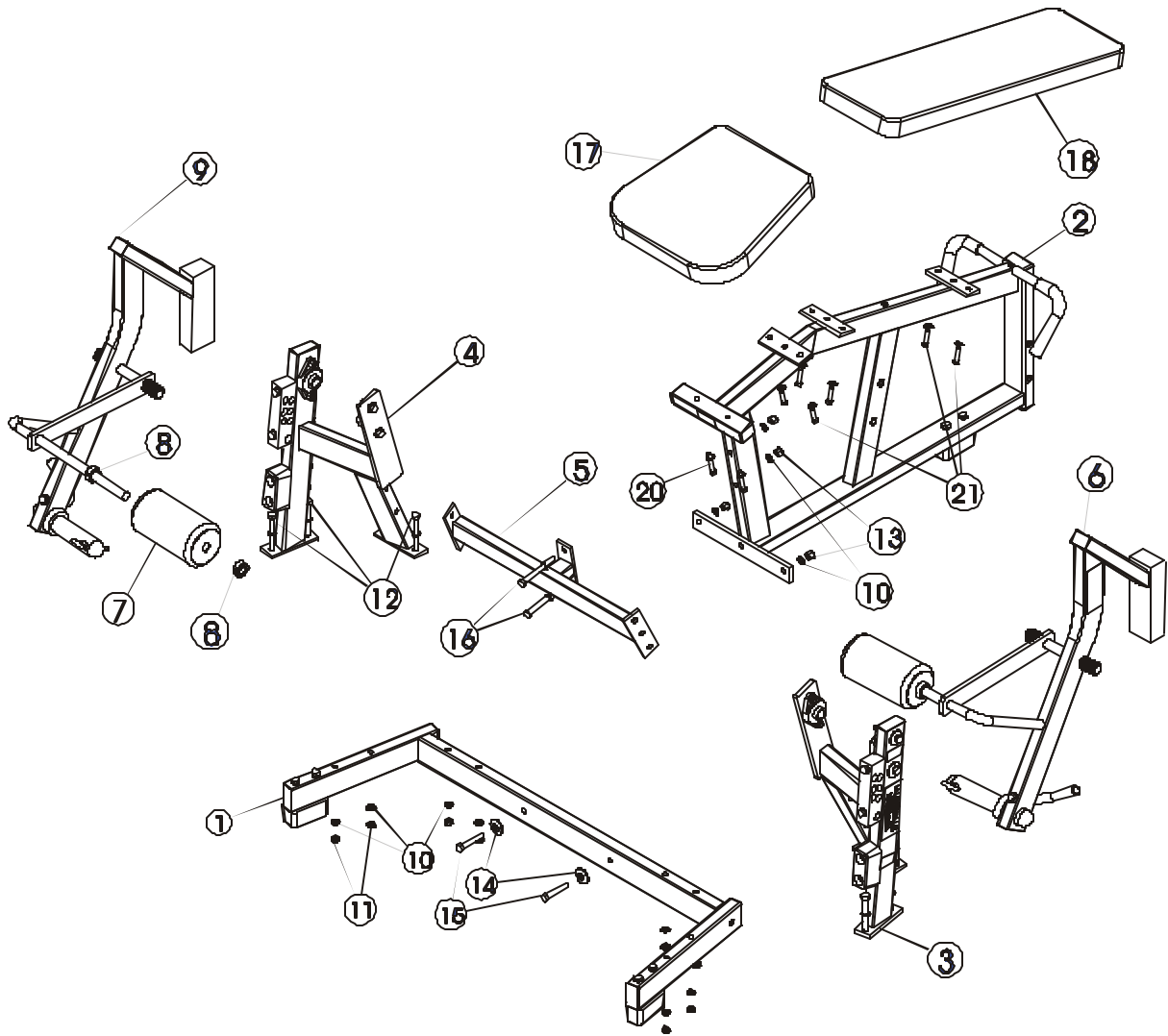
## ILLC - ISO Lateral Leg Curl Rev. D

---



# HAMMER STRENGTH EQUIPMENT

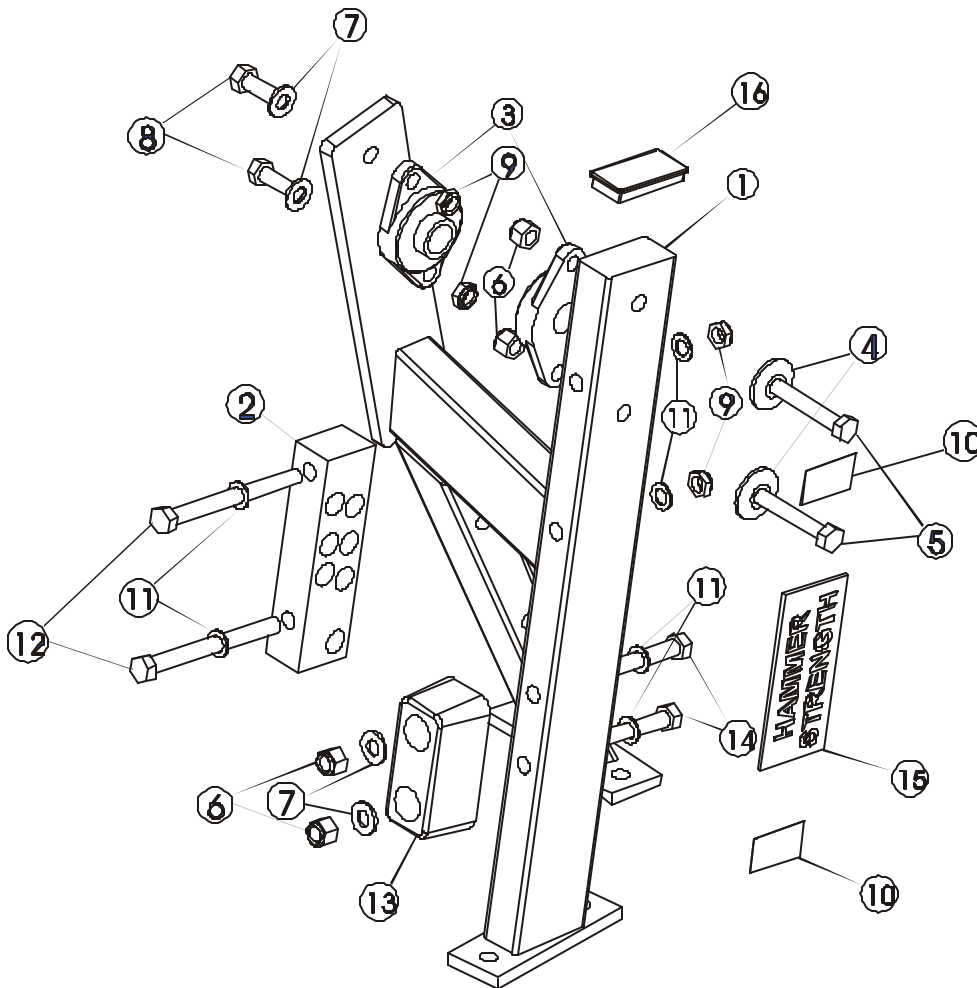
## ILLC - Exploded Assembly



ITEM NO.	QTY.	PART NO.	DESCRIPTION	ITEM NO.	QTY.	PART NO.	DESCRIPTION
1	1	ILLC-CFX-0	Front Frame Assembly	12	8	HHB.5X4	1/2 X 4 Bolt
2	1	ILLC-CST-0	Seat Frame Assembly	13	4	NUT.5LOCK	1/2" Thick Lock Nut
3	1	ILLC-CSFL-0	Left Side Frame Assembly	14	2	H-BACK-WASH	Backing Washer
4	1	ILLC-CSFR-0	Right Side Frame Assembly	15	2	HHB.5X3	1/2 X 3 Bolt
5	1	ILLC-CETC-0	Rear C-Mem Assembly	16	2	HHB.5X4.5	1/2 X 4 1/2 Bolt
6	1	ILLC-CMAR-0	Left Marm Assembly	17	1	U16-11	Standard 16" Pad
7	2	URP-1	Roller Pad Assembly	18	1	U33-19	Standard 36" Pad
8	4	H-LCOLLAR1	3/4" Lock Collar	19	8	WASH.375SAE	3/8" SAE Flat Washer
9	1	ILLC-CMAL-0	Right Marm Assembly	20	2	HHB.375X2.5	3/8 X 2 1/2 Bolt
10	22	WASH.5STAR	1/2" Internal Lock Washer	21	6	HHB.375X1.5	3/8 X 1 1/2 Bolt
11	8	NUT.JAMLOCK	1/2" Thin Lock Nut				

# HAMMER STRENGTH EQUIPMENT

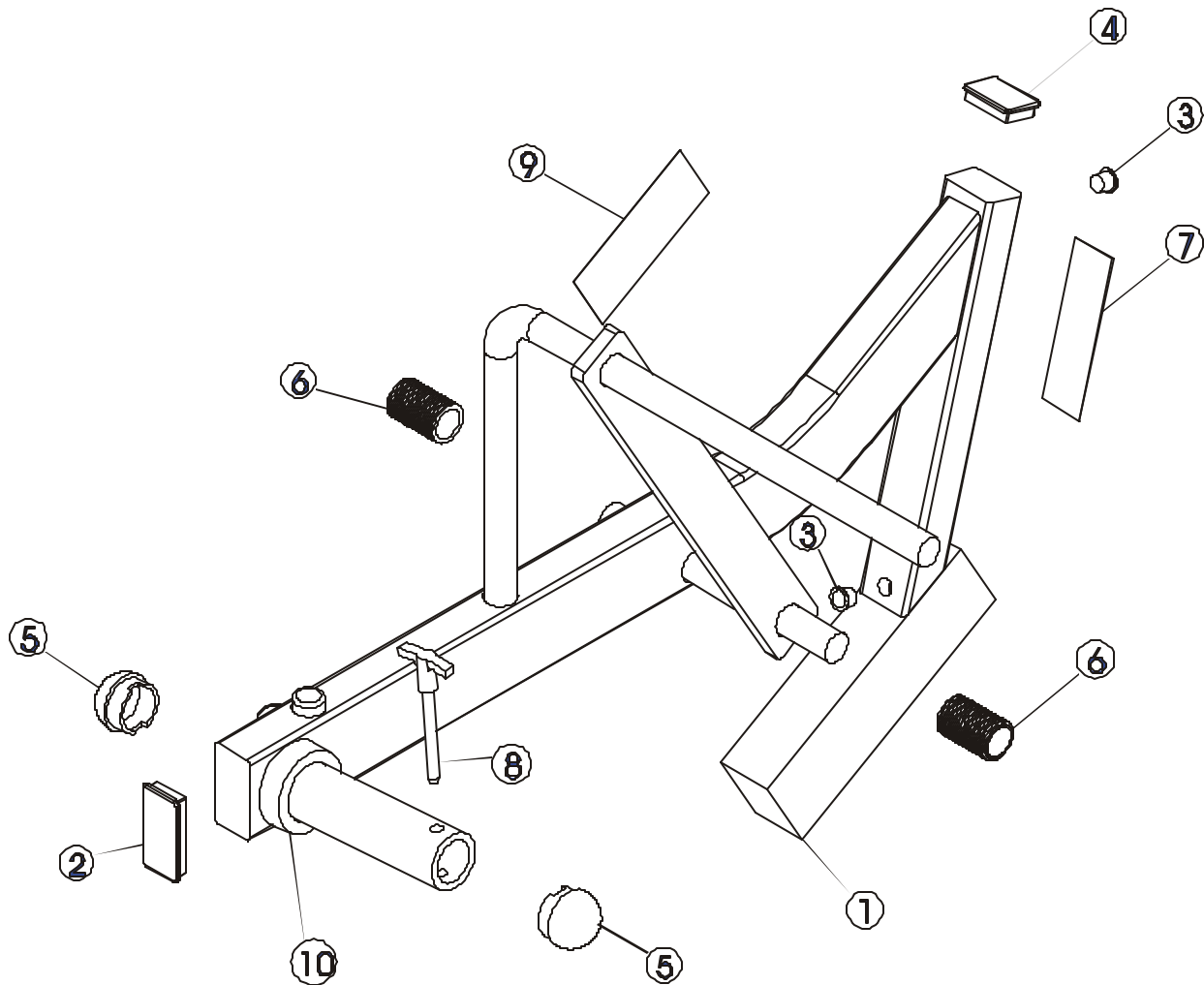
## ILLC - Side Frame



ITEM NO.	QTY.	PART NO.	DESCRIPTION
1	1	ILLC-SFR-0	Right Side Frame
1	1	ILLC-SFL-0	Left Side Frame
2	1	ILLC-20-0	ILLC MARM STOP
3	2	H-BEAR-SML	Small Bearing
4	2	H-BACK-WASH	Backing Washer
5	2	HHB.5X3	1/2 X 3 Bolt
6	4	NUT.5LOCK	1/2" Thick Lock Nut
7	4	WASH.5SAE	1/2" SAE Flat Washer
8	2	HHB.5X1.5	1/2 X 1 1/2 Bolt
9	4	NUT.5JAMLOCK	1/2" Thin Lock Nut
10	2	STAY CLEAR	Stay Clear Decal
11	6	WASH.5STAR	1/2" Internal Lock Washer
12	2	HHB.5X5.5	1/2 X 5 1/2 Bolt
13	1	H-BUMP-MED	MM2 Medium
14	2	HHB.5X4.5	1/2 X 4 1/2 Bolt
15	1	H-NAMEPLATE	Name Plate
16	1	H-PEND3	1 1/2 X 3 End Cap

# HAMMER STRENGTH EQUIPMENT

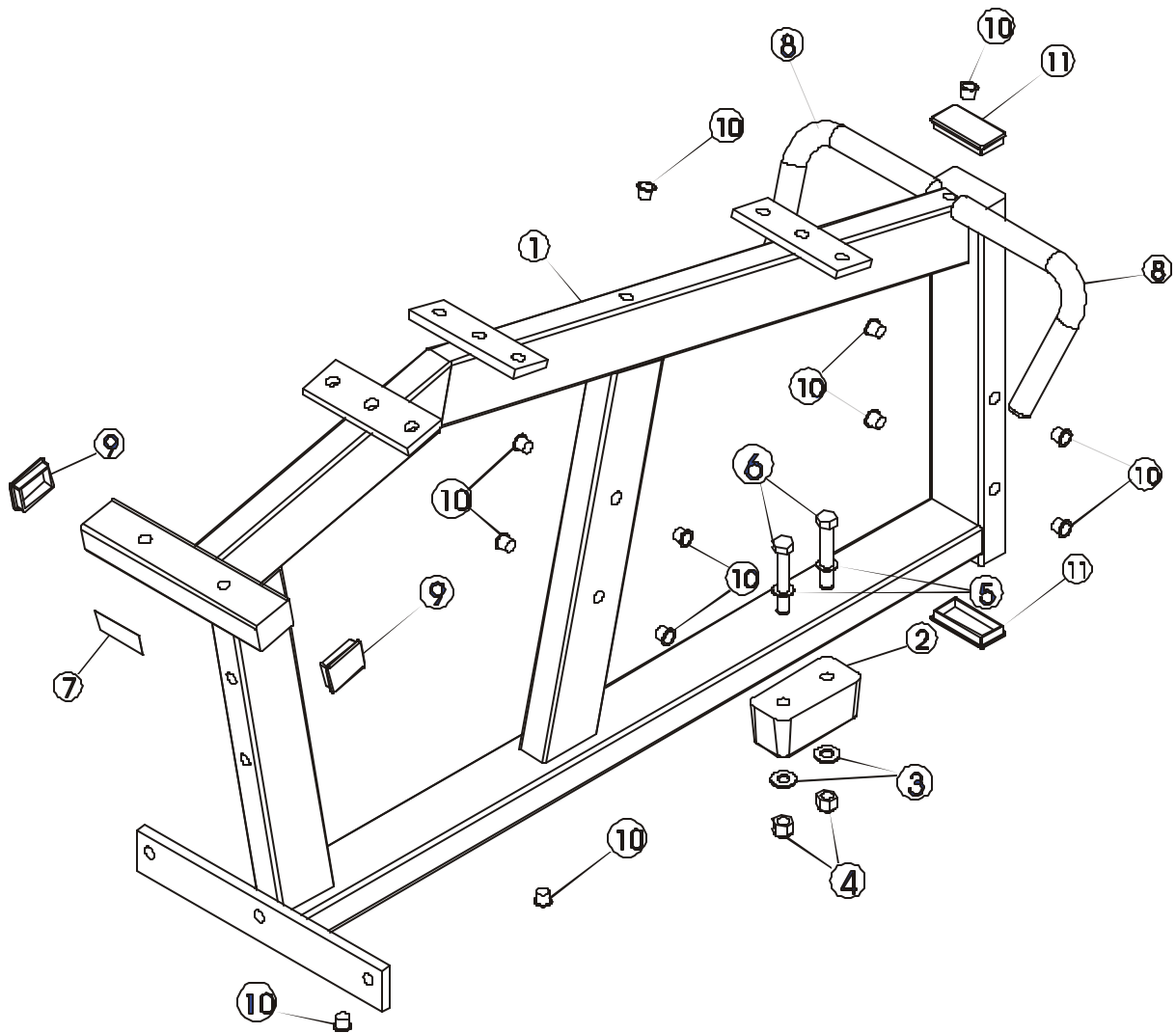
## ILLC - Movement Arm



ITEM NO.	QTY.	PART NO.	DESCRIPTION
1	1	ILLC-MAL-0	Left Movement Arm
1	1	ILLC-MAR-0	Right Movement Arm
2	1	H-PEND3	1 1/2 X 3 End Cap
3	2	H-HPLUG	9/16" Hole Plug
4	1	H-PEND2	1 1/2 X 2 Endcap
5	2	H-BENDCAP	Bullet Cap
6	2	ACCORDIAN	Shaft Guard
7	1	ISO LEG CURL	Product Decal
8	1	SELECTORPIN-4	Selector Pin
9	1	WARNING LARGE	Large Warning-V
10	1	H-RUBRNG	MM5 Ring

# HAMMER STRENGTH EQUIPMENT

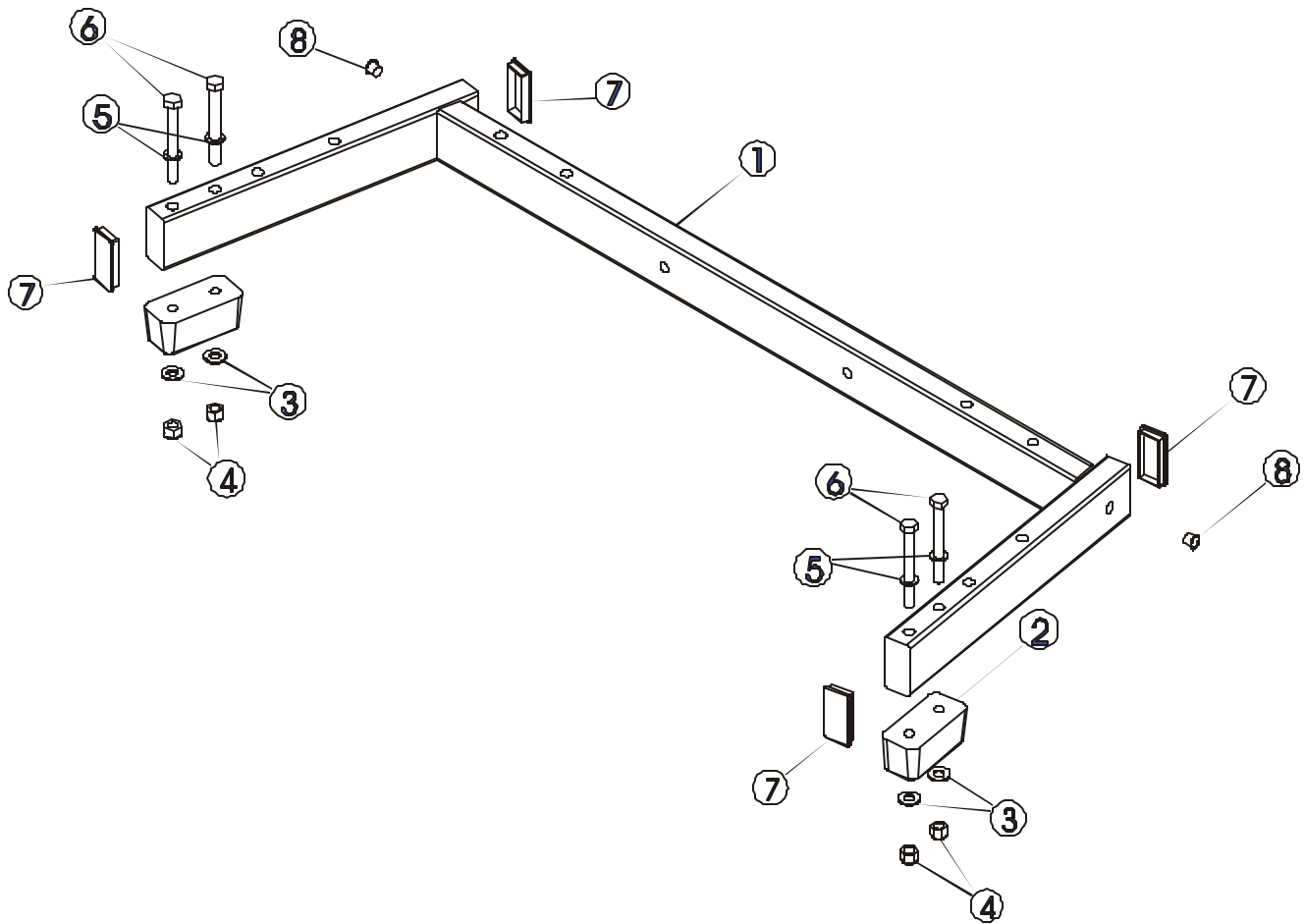
## ILLC - Seat Frame



ITEM NO.	QTY.	PART NO.	DESCRIPTION
1	1	ILLC-ST-0	Seat Frame
2	1	H-BUMP-MED	MM2 Medium
3	2	WASH.5SAE	1/2" SAE Flat Washer
4	2	NUT.5LOCK	1/2" Thick Lock Nut
5	2	WASH.5STAR	1/2" Internal Lock Washer
6	2	HHB.5X3	1/2 X 3 Bolt
7	1	SERIAL NUMBER	Serial Number
8	2	H-GRIP(ILLC-C01)	HandGrip
9	2	H-PEND2	1 1/2 X 2 Endcap
10	12	H-HPLUG	9/16" Hole Plug
11	2	H-PEND3	1 1/2 X 3 End Cap

# HAMMER STRENGTH EQUIPMENT

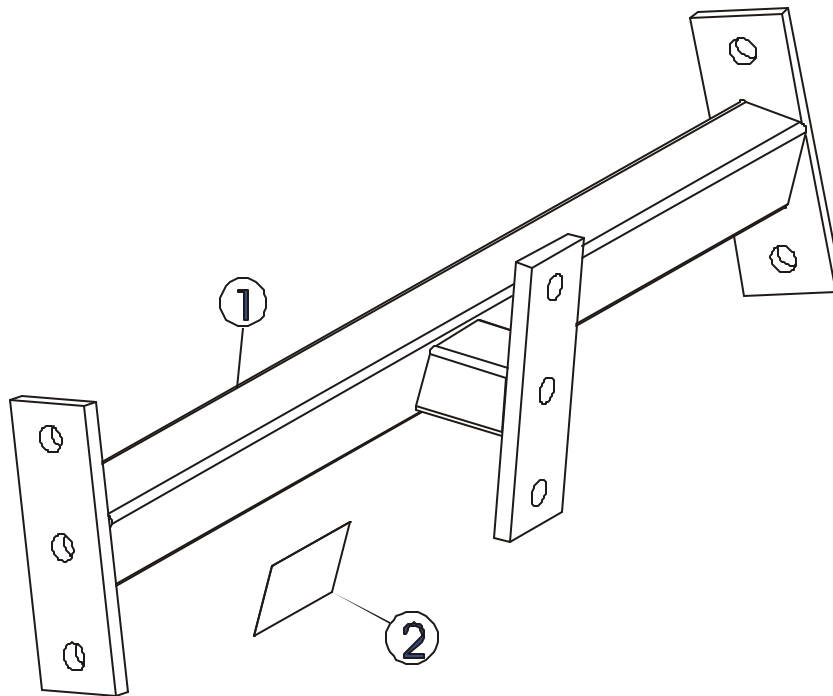
## ILLC - Front Frame



ITEM NO.	QTY.	PART NO.	DESCRIPTION
1	1	ILLC-FX-0	Front Frame
2	2	H-BUMP-MED	MM2 Medium
3	4	WASH.5SAE	1/2" SAE Flat Washer
4	4	NUT.5LOCK	1/2" Thick Lock Nut
5	4	WASH.5STAR	1/2" Internal Lock Washer
6	4	HHB.5X4.5	1/2 X 4 1/2 Bolt
7	4	H-PEND3	1 1/2 X 3 End Cap
8	2	H-HPLUG	9/16" Hole Plug

**HAMMER STRENGTH EQUIPMENT**  
**ILLC - Rear Cross Member**

---



ITEM NO.	QTY.	PART NO.	DESCRIPTION
1	1	ILLC-ETC-0	Rear C-Mem
2	1	PATENT	Patent Decal