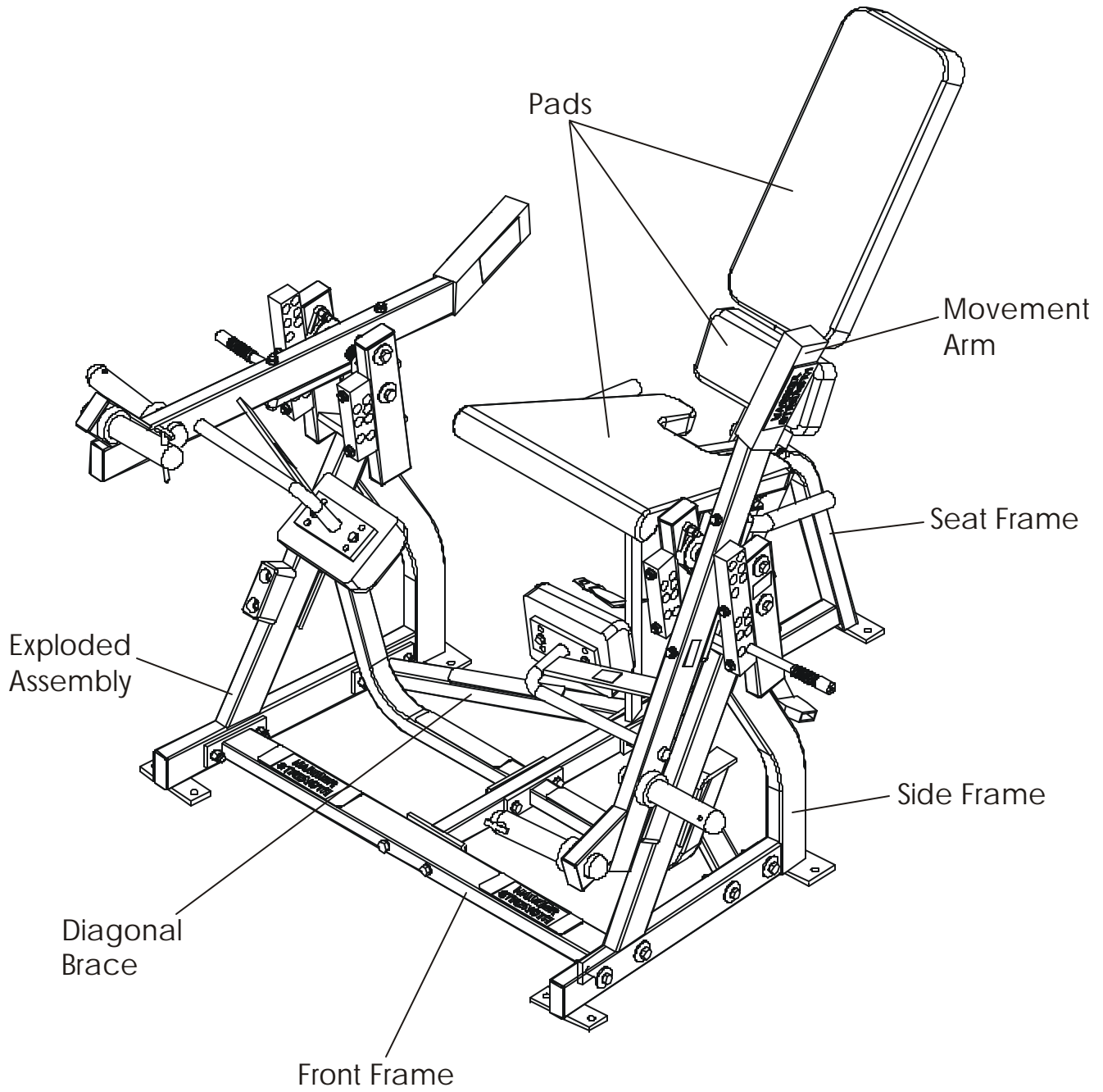


# HAMMER STRENGTH EQUIPMENT

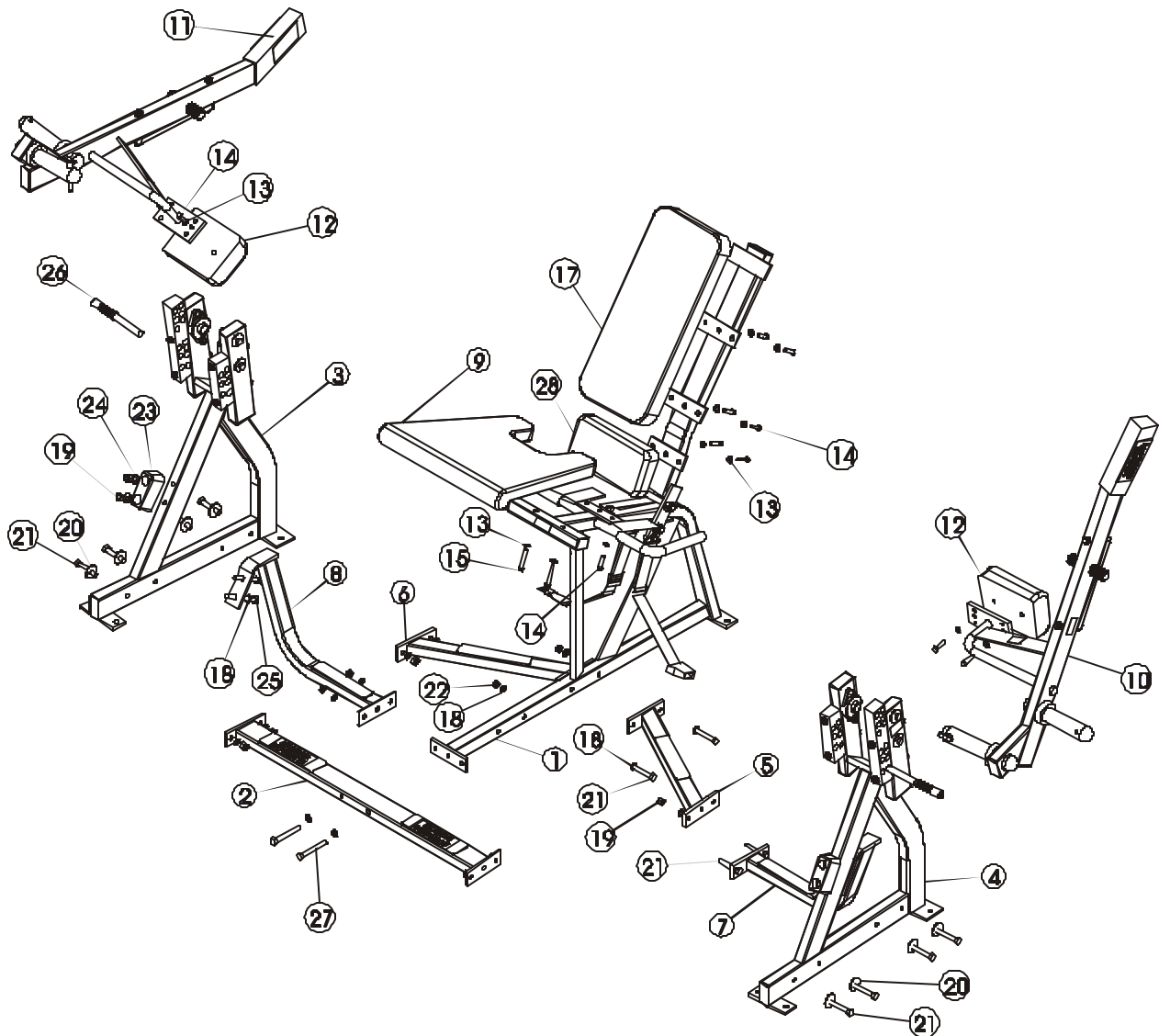
## ILLE - ISO Lateral Leg Extension Rev. C

---



# HAMMER STRENGTH EQUIPMENT

## ILLE - Exploded Assembly

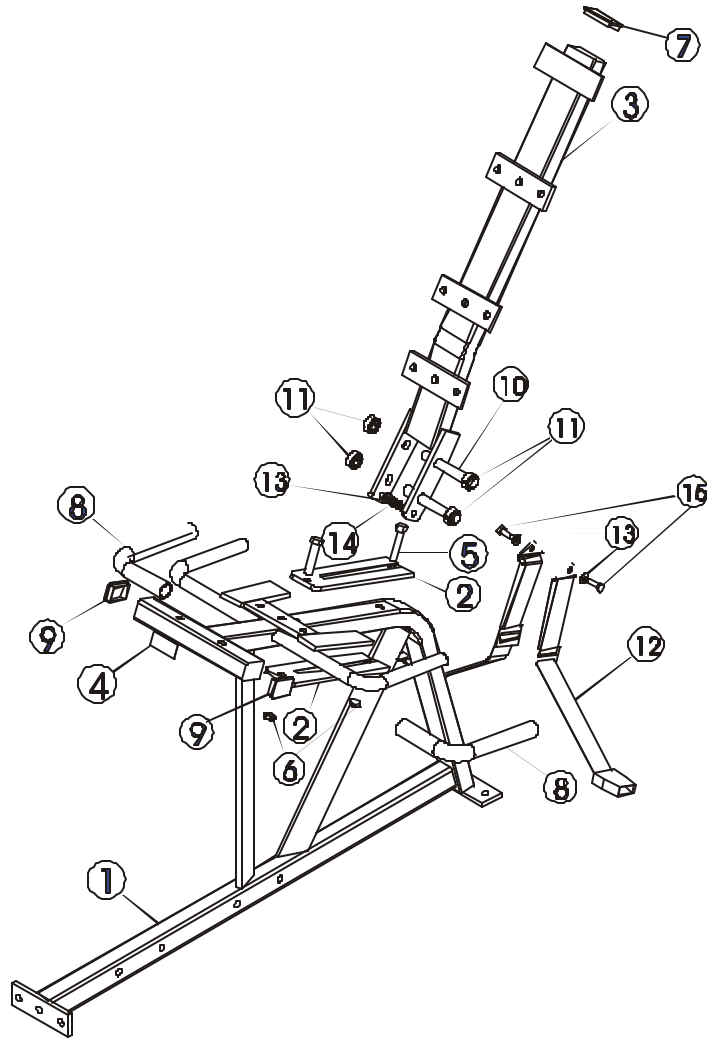


ITEM NO.	QTY.	PART NO.	DESCRIPTION	ITEM NO.	QTY.	PART NO.	DESCRIPTION
1	1	ILLE-CST-0	Seat Frame Assembly	15	2	HHB.375X2.5	3/8 X 2 1/2 Bolt
2	1	ILLE-CFX-0	Front C-Mem Assembly	17	1	U24-10	Standard 24" Pad
3	1	ILLE-CSFR-0	Right Side Frame Assembly	18	24	WASH.5STAR	1/2" Internal Lock Washer
4	1	ILLE-CSFL-0	Left Side Frame Assembly	19	12	NUT.5LOCK	1/2" Thick Lock Nut
5	1	ILLE-CBXL-0	Left Bottom Brace Assembly	20	8	H-BACK-WASH	Backing Washer
6	1	ILLE-CBXR-0	Right Bottom Brace Assembly	21	12	HHB.5X3	1/2 X 3 Bolt
7	1	ILLE-CETCL-0	Left Center Brace Assembly	22	6	NUT.5JAMLOCK	1/2" Thin Lock Nut
8	1	ILLE-CETCR-0	Right Center Brace Assembly	23	2	H-BUMP-MED	MM2 Medium
9	1	U-PLLE	Seat Pad	24	4	WASH.5SAE	1/2" SAE Flat Washer
10	1	ILLE-CMAL-0	Left Marm Assembly	25	4	HHB.5X5	1/2 X 5 Bolt
11	1	ILLE-CMAR-0	Right Marm Assembly	26	2	LimiterS	Short Range Limiter Rod
12	2	U8-4.5	Standard 8" Pad	27	2	HHB.5X4	1/2 X 4 Bolt
13	14	WASH.375SAE	3/8" SAE Flat Washer	28	1	U12_4_5	12" Rectangular Pad
14	12	HHB.375X1.5	3/8 X 1 1/2 Bolt				

# HAMMER STRENGTH EQUIPMENT

## ILLE - Seat Frame

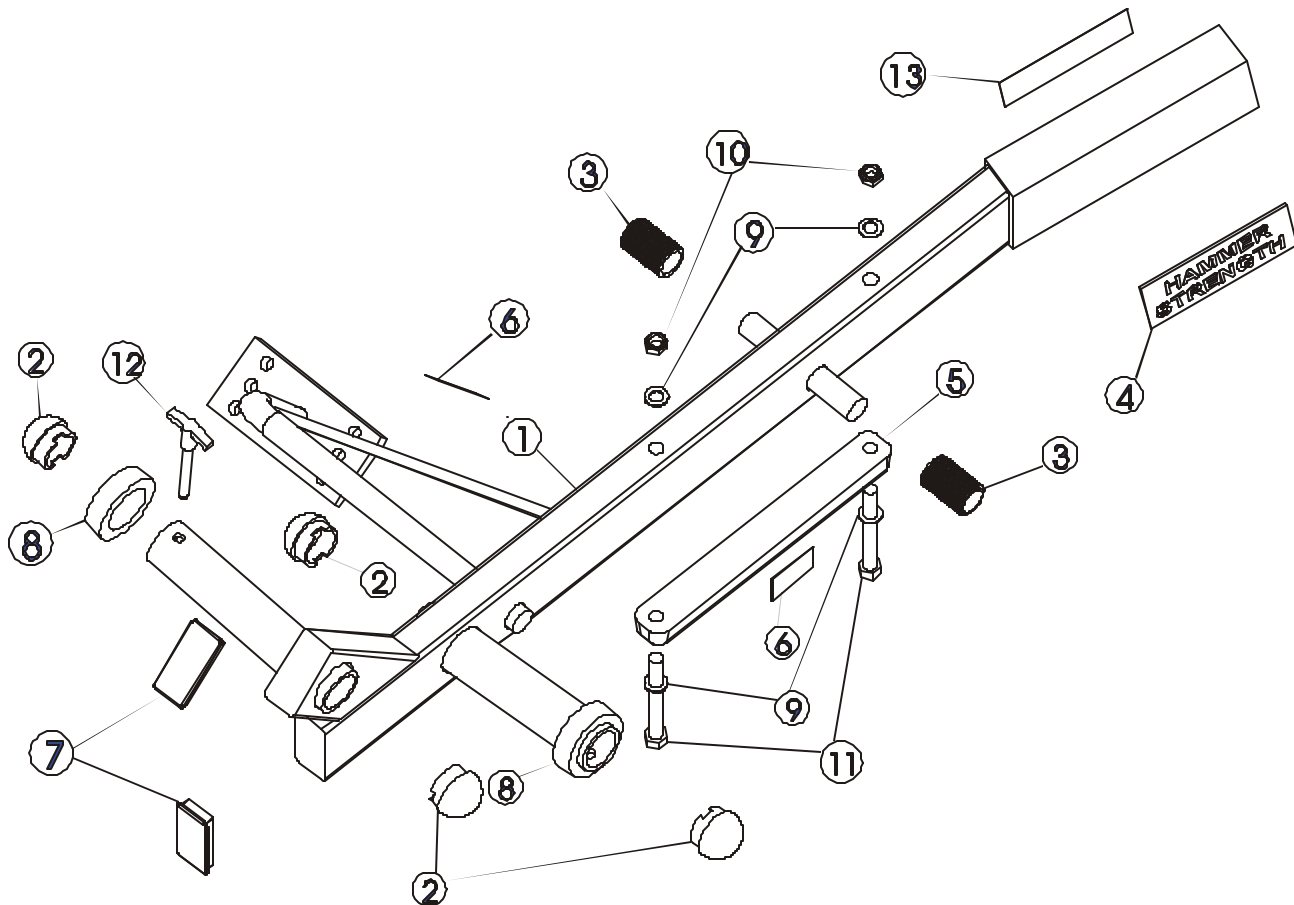
---



ITEM NO.	QTY.	PART NO.	DESCRIPTION
1	1	ILLE-ST-0	Seat Frame
2	2	H-SEATRCKS(CUT)	Seatrack Front
3	1	ILLE-AJST-1	Adjustable Seat
4	1	SERIAL NUMBER	Serial Number
5	2	HHB.5X2.5	1/2 X 2 1/2 Bolt
6	2	NUT.5JAMLOCK	1/2" Thin Lock Nut
7	1	H-PEND3	1 1/2 X 3 End Cap
8	2	H-GRIP(ILLE-C01)	HandGrip
9	2	H-PEND2	1 1/2 X 2 Endcap
10	2	STshft	Seat Shaft
11	4	H-LCOLLAR75	3/4" Lock Collar
12	1	SEATBELT-ASSEM	Seatbelt, Complete
13	4	WASH.375SAE	3/8" SAE Flat Washer
14	2	NUT.375JAMLOCK	3/8" Thick Jam Lock Nut
15	2	HHB.375X1	3/8 X 1 Bolt

# HAMMER STRENGTH EQUIPMENT

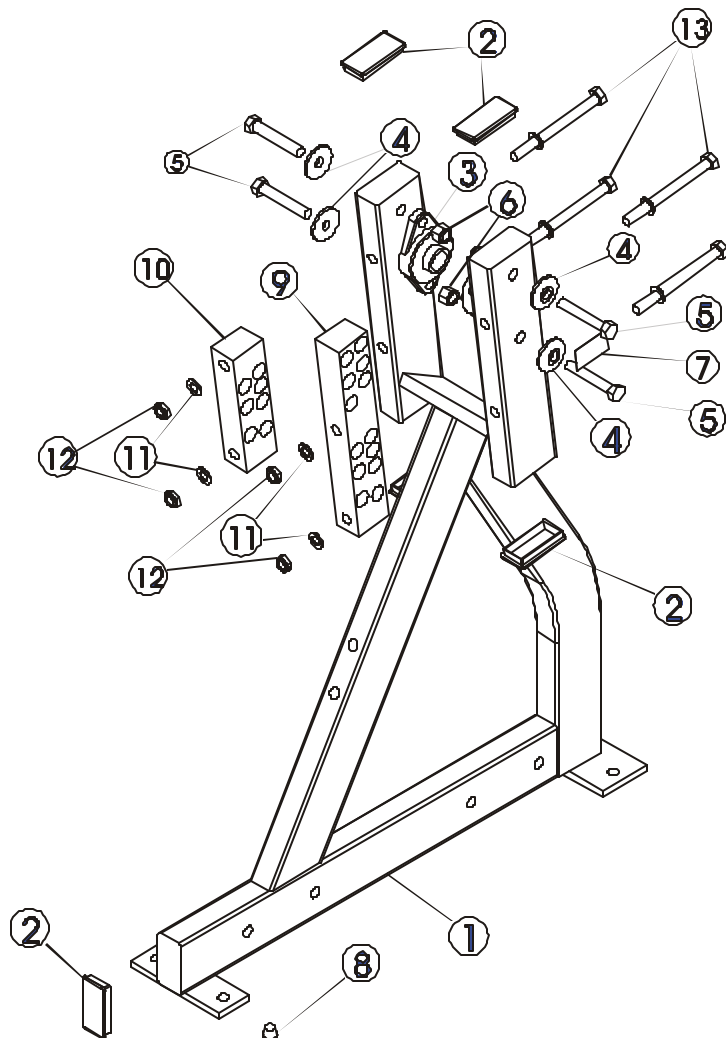
## ILLE - Movement Arm



ITEM NO.	QTY.	PART NO.	DESCRIPTION
1	1	ILLE-MAR-0	Right Movement Arm
1	1	ILLE-MAL-0	Left Movement Arm
2	4	H-BENDCAP	Bullet Cap
3	2	ACCORDIAN	Shaft Guard
4	1	H-NAMEPLATE	Name Plate
5	1	H-STR-BUMP	MM4-12
6	2	STAY CLEAR	Stay Clear Decal
7	2	H-PEND3	1 1/2 X 3 End Cap
8	2	H-RUBRNG	MM5 Ring
9	4	WASH.5STAR	1/2" Internal Lock Washer
10	2	NUT.5JAMLOCK	1/2" Thin Lock Nut
11	2	HHB.5X4.5	1/2 X 4 1/2 Bolt
12	1	SELECTORPIN-4	Selector Pin
13	1	ISO LEG EXTENSION	Product Decal

# HAMMER STRENGTH EQUIPMENT

## ILLE - Side Frame

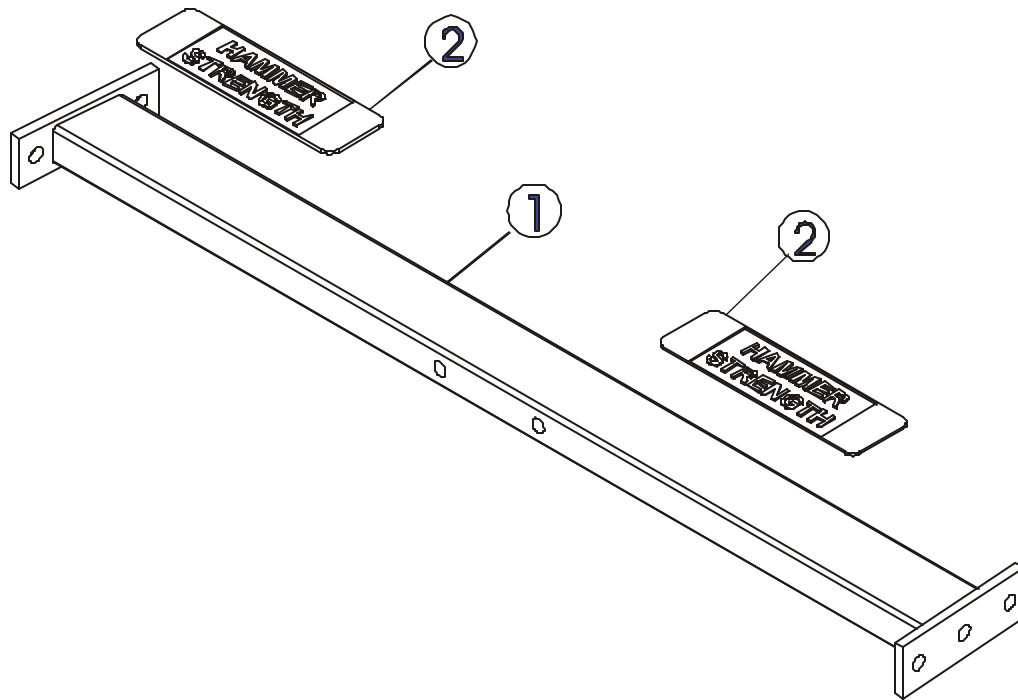


ITEM NO.	QTY.	PART NO.	DESCRIPTION
1	1	ILLE-SF-0	Side Frame
2	5	H-PEND3	1 1/2 X 3 End Cap
3	2	H-BEAR-SML	Small Bearing
4	4	H-BACK-WASH	Backing Washer
5	4	HHB.5X3	1/2 X 3 Bolt
6	4	NUT.5LOCK	1/2" Thick Lock Nut
7	1	STAY CLEAR	Stay Clear Decal
8	1	H-HPLUG	9/16" Hole Plug
9	1	ILLE-18-0	Outboard Marm Stop
10	1	ILLE-19-0	Inboard Marm Stop
11	8	WASH.5STAR	1/2" Internal Lock Washer
12	4	NUT.5JAMLOCK	1/2" Thin Lock Nut
13	4	HHB.5X5.5	1/2 X 5 1/2 Bolt

# HAMMER STRENGTH EQUIPMENT

## ILLE - Front Frame

---

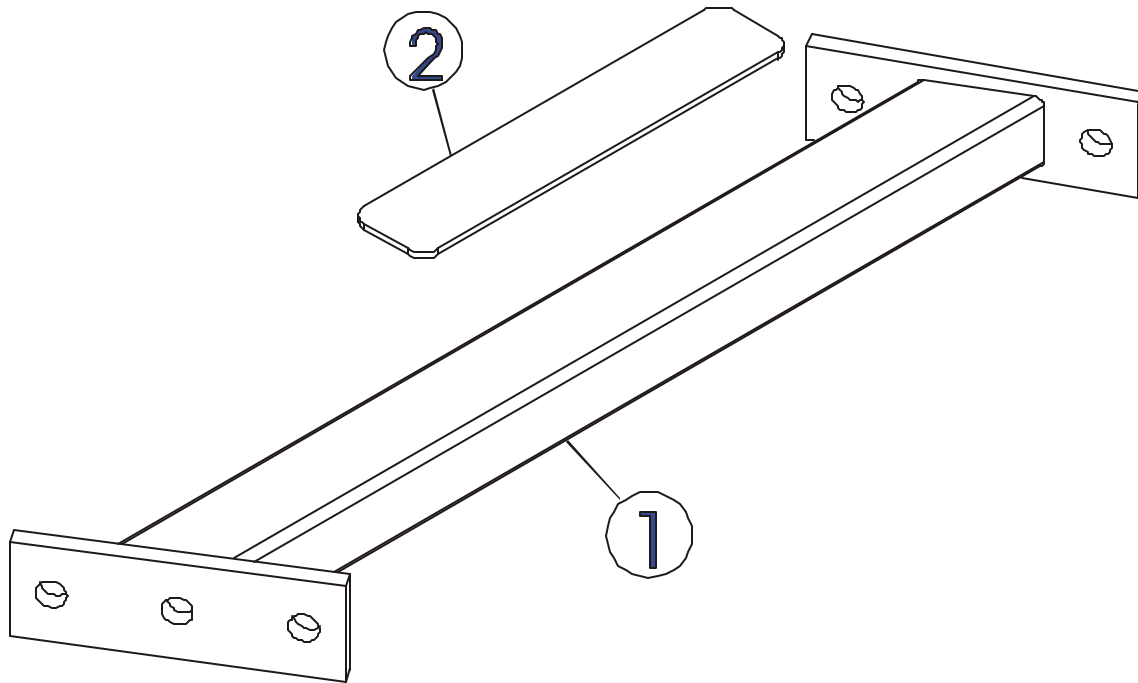


ITEM NO.	QTY.	PART NO.	DESCRIPTION
1	1	ILLE-FX-0	Front Frame
2	2	H-NONSKID3	2 5/8 X 9 Nonskid

# HAMMER STRENGTH EQUIPMENT

## ILLE - Diagonal Brace

---



ITEM NO.	QTY.	PART NO.	DESCRIPTION
1	1	ILLE-BX-0	Rear Diagonal Brace Assembly
2	1	H-NONSKID2	1 3/4 X 9 Nonskid