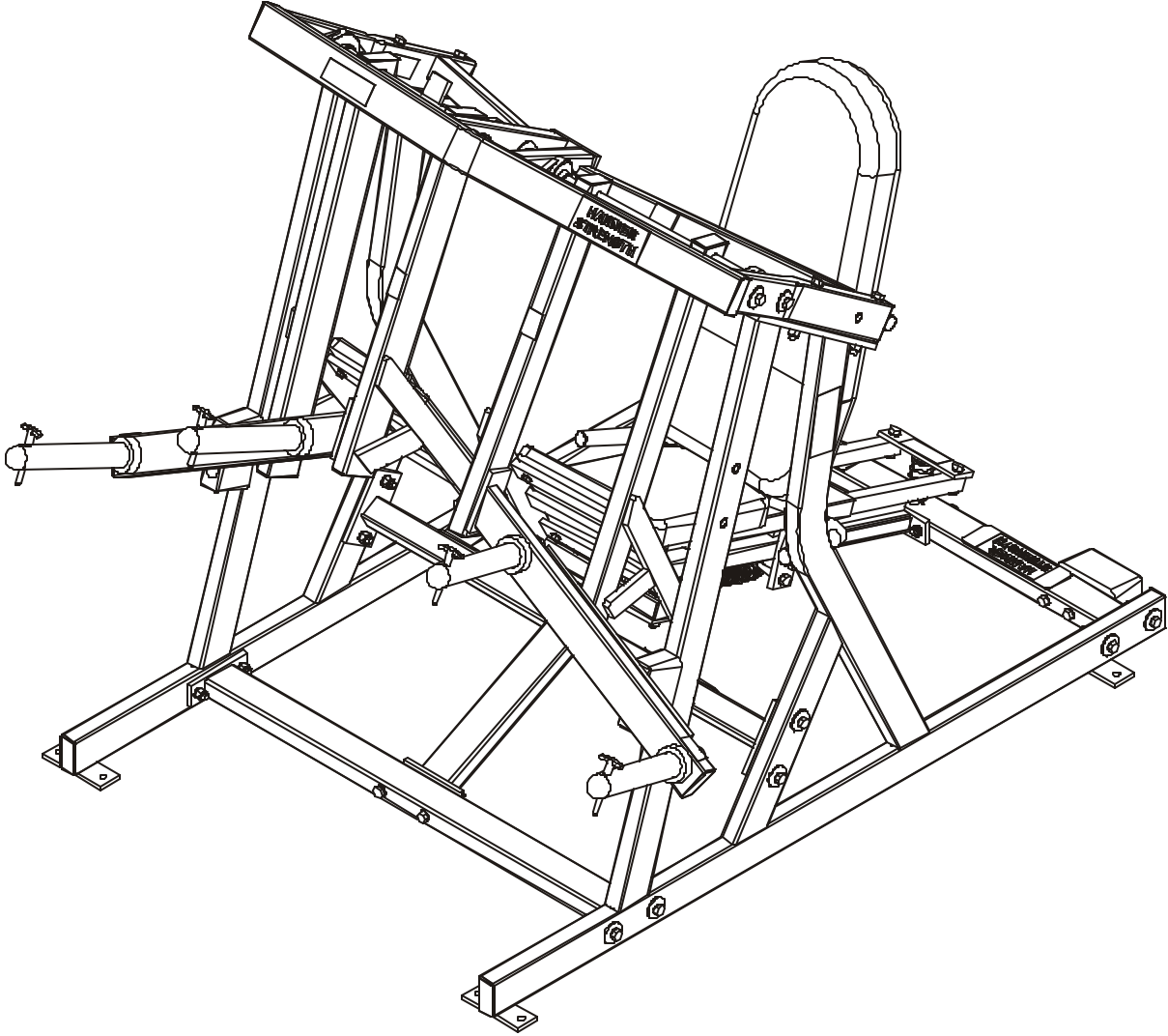


# *LifeFitness*

## HAMMER STRENGTH ILLP ISO-LATERAL LEG PRESS



## Customer Support Services ***PARTS MANUAL***

# ILLP ISO-LATERAL LEG PRESS

Notes:

---

# ILLP ISO-LATERAL LEG PRESS

## Contents

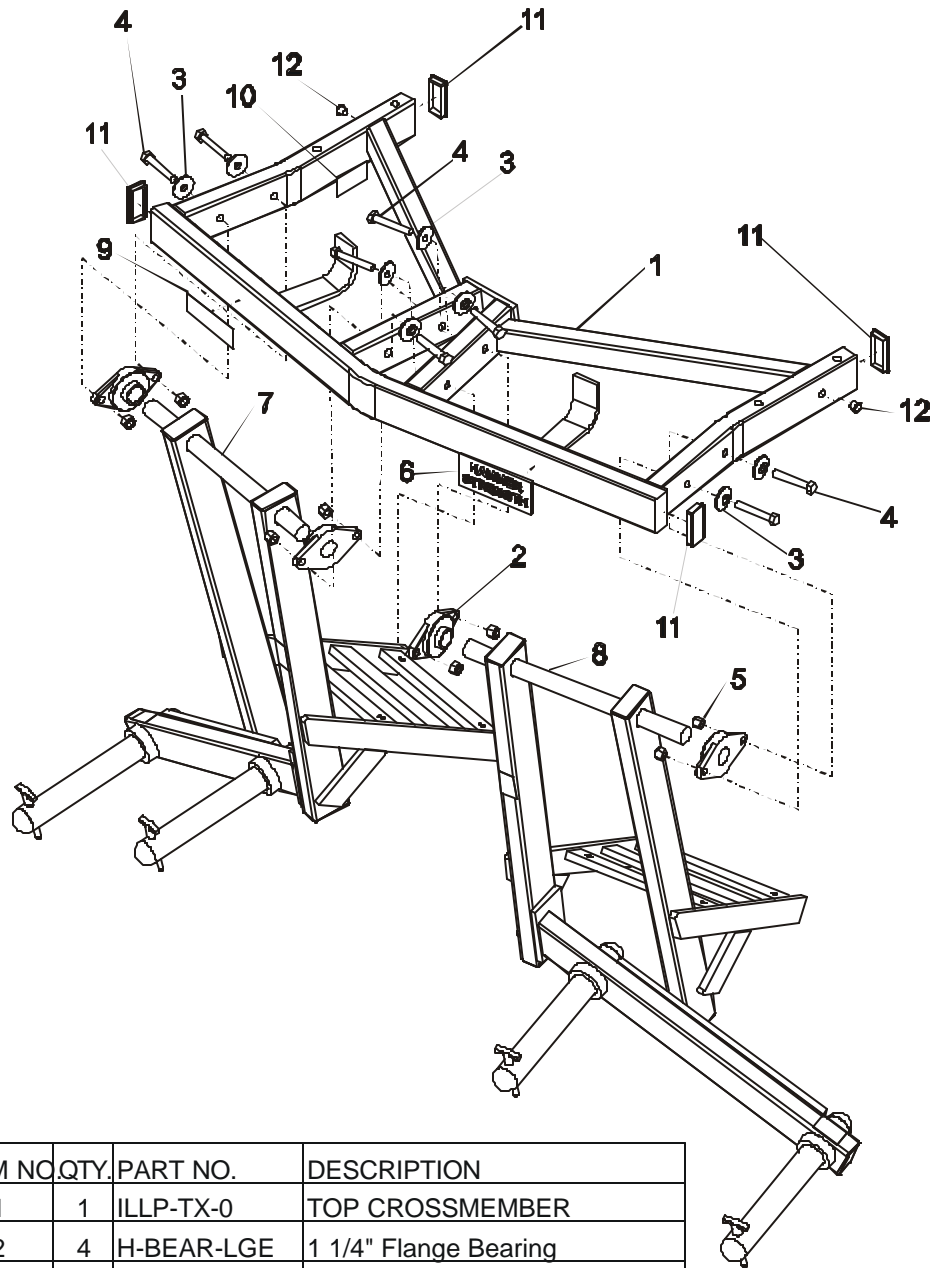
---

	<b>PAGE</b>
COMPONENT ASSEMBLY .....	4
TOP CROSS MEMBER ASSEMBLY.....	5
REAR CROSS MEMBER ASSEMBLY.....	6
RIGHT SIDE FRAME ASSEMBLY .....	7
LEFT SIDE FRAME ASSEMBLY.....	8
MOVEMENT ARM ASSEMBLY .....	9
SEAT RACK FRAME ASSEMBLY.....	10
ADJUSTABLE SEAT .....	11
REAR SEAT FRAME ASSEMBLY .....	12



# ILLP ISO-LATERAL LEG PRESS

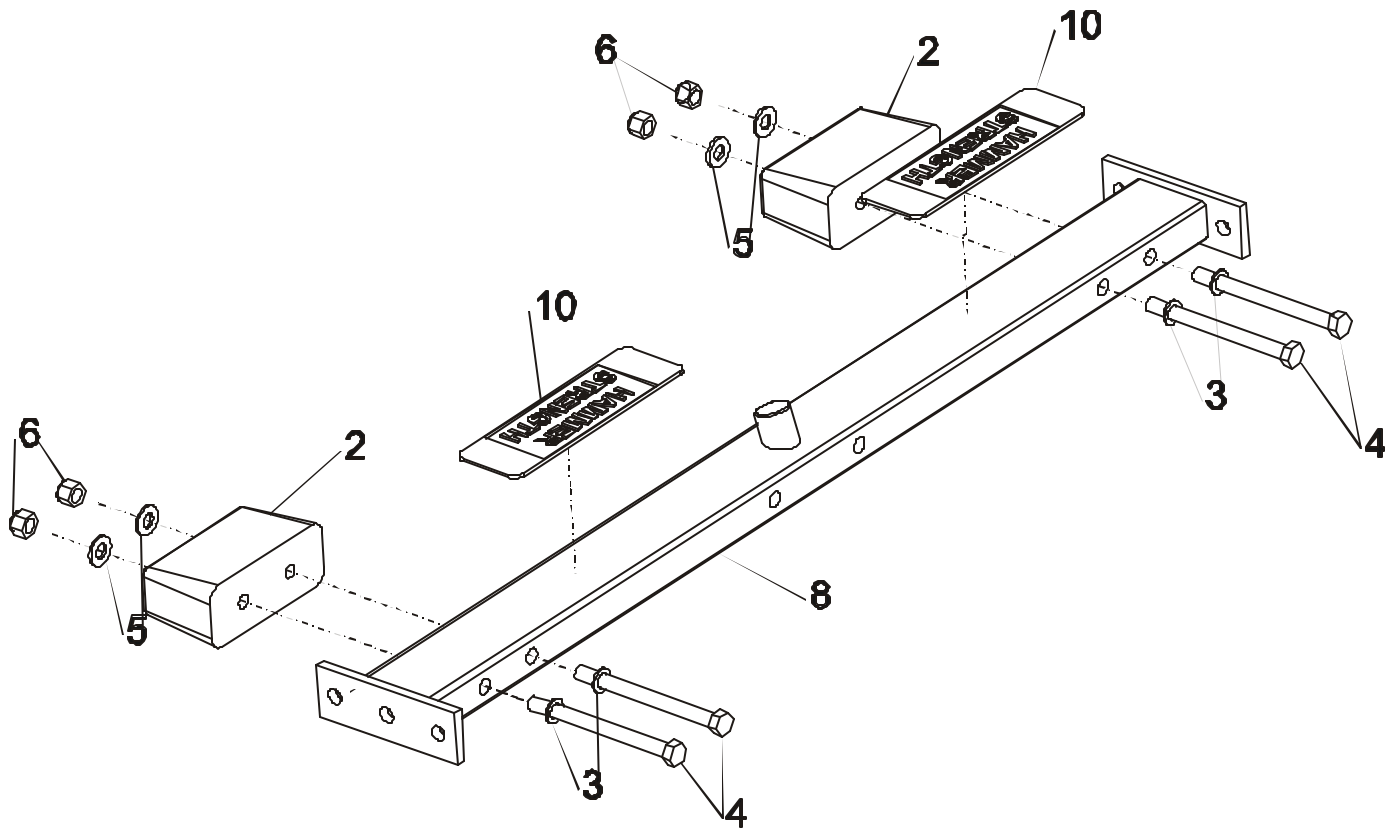
## TOP CROSS MEMBER ASSEMBLY



ITEM NO.	QTY.	PART NO.	DESCRIPTION
1	1	ILLP-TX-0	TOP CROSSMEMBER
2	4	H-BEAR-LGE	1 1/4" Flange Bearing
3	8	H-BACK-WASH	Backing Washer
4	8	H-HB.5X3	1/2 X 3 Bolt
5	8	NUT.5LOCK	1/2" Thick Lock Nut
6	1	H-NAMEPLATE	Name Plate
7	1	ILLP-CMAR-1	ASSY, RIGHT MARM
8	1	ILLP-CMAL-1	ASSY, LEFT MARM
9	1	ISO LEG PRESS	Product Decal
10	1	PATENT	Patent Decal
11	4	H-PEND3	1 1/2 X 3 End Cap
12	2	H-HPLUG(REG)	Hole Plug

# ILLP ISO-LATERAL LEG PRESS

## REAR CROSS MEMBER ASSEMBLY

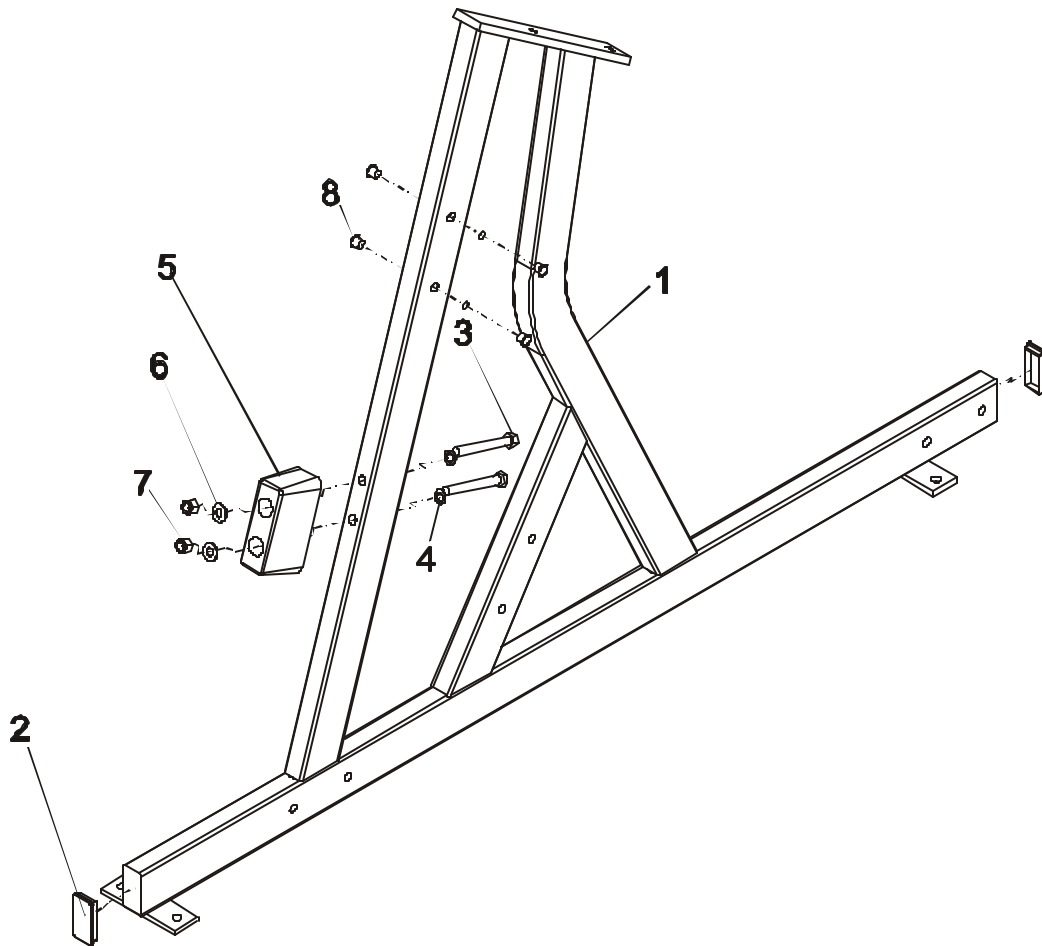


ITEM NO	QTY.	PART NO.	DESCRIPTION
2	2	H-BUMP-LGE	MM1 Large
3	4	WASH.5STAR	1/2" Internal Lock Washer
4	4	HHB.5X6	1/2 X 6 Bolt
5	4	WASH.5SAE	1/2" SAE Flat Washer
6	4	NUT.5LOCK	1/2" Thick Lock Nut
8	1	ILLP-BX-0	Rear Cross Member
10	2	H-NONSKID3	2 5/8 X 9 Nonskid

# ILLP ISO-LATERAL LEG PRESS

## RIGHT SIDE FRAME ASSEMBLY

---

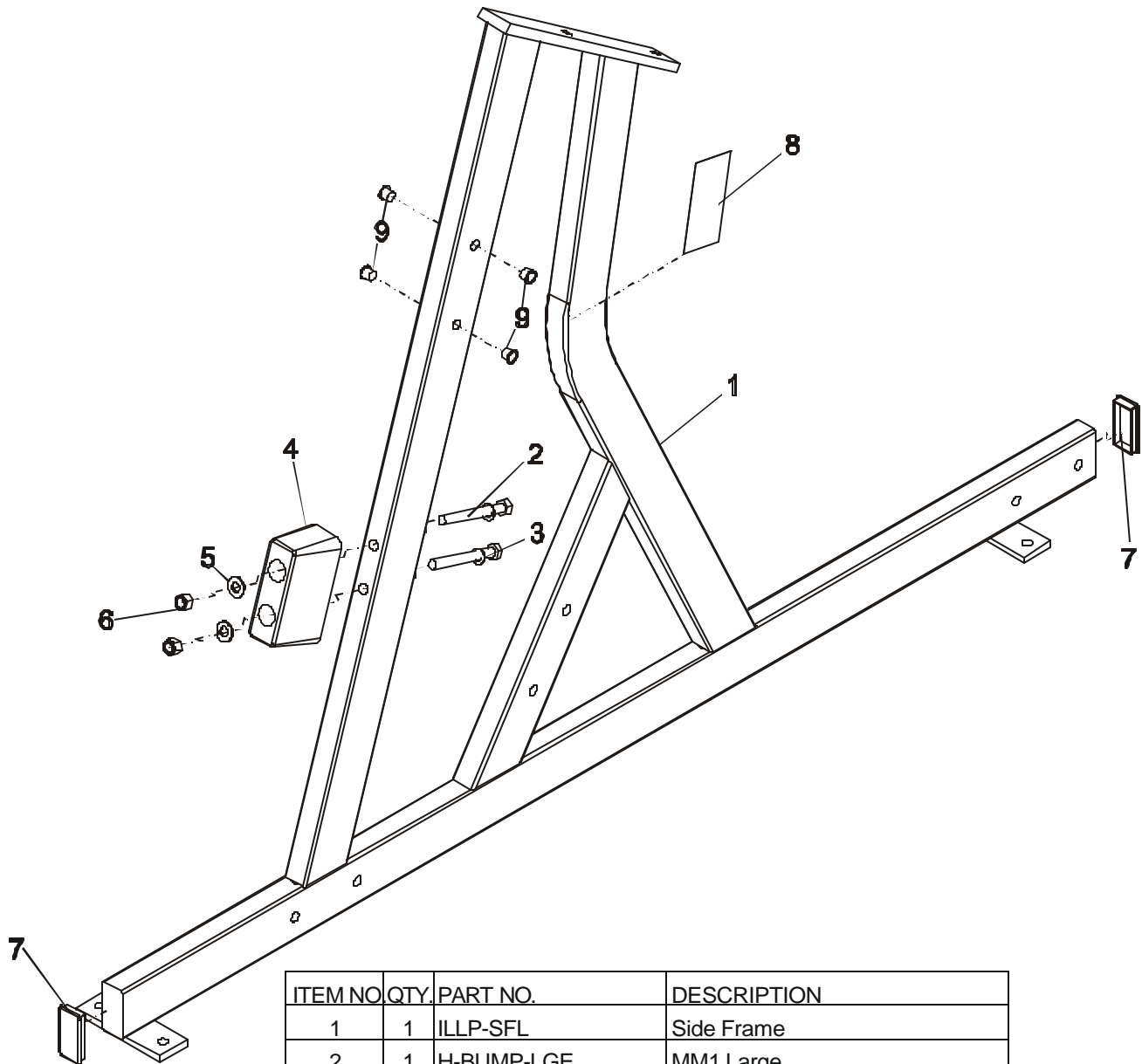


ITEM NO.	QTY.	PART NO.	DESCRIPTION
1	1	ILLP-SF-0	Side Frame
2	2	H-PEND3	1 1/2 X 3 End Cap
3	2	HHB.5X4.5	1/2 X 4 1/2 Bolt
4	2	WASH.5STAR	1/2" Internal Lock Washer
5	1	H-BUMP-LGE	MM1 Large
6	2	WASH.5SAE	1/2" SAE Flat Washer
7	2	NUT.5LOCK	1/2" Thick Lock Nut
8	4	H-HPLUG(REG)	Hole Plug

# ILLP ISO-LATERAL LEG PRESS

## LEFT SIDE FRAME ASSEMBLY

---



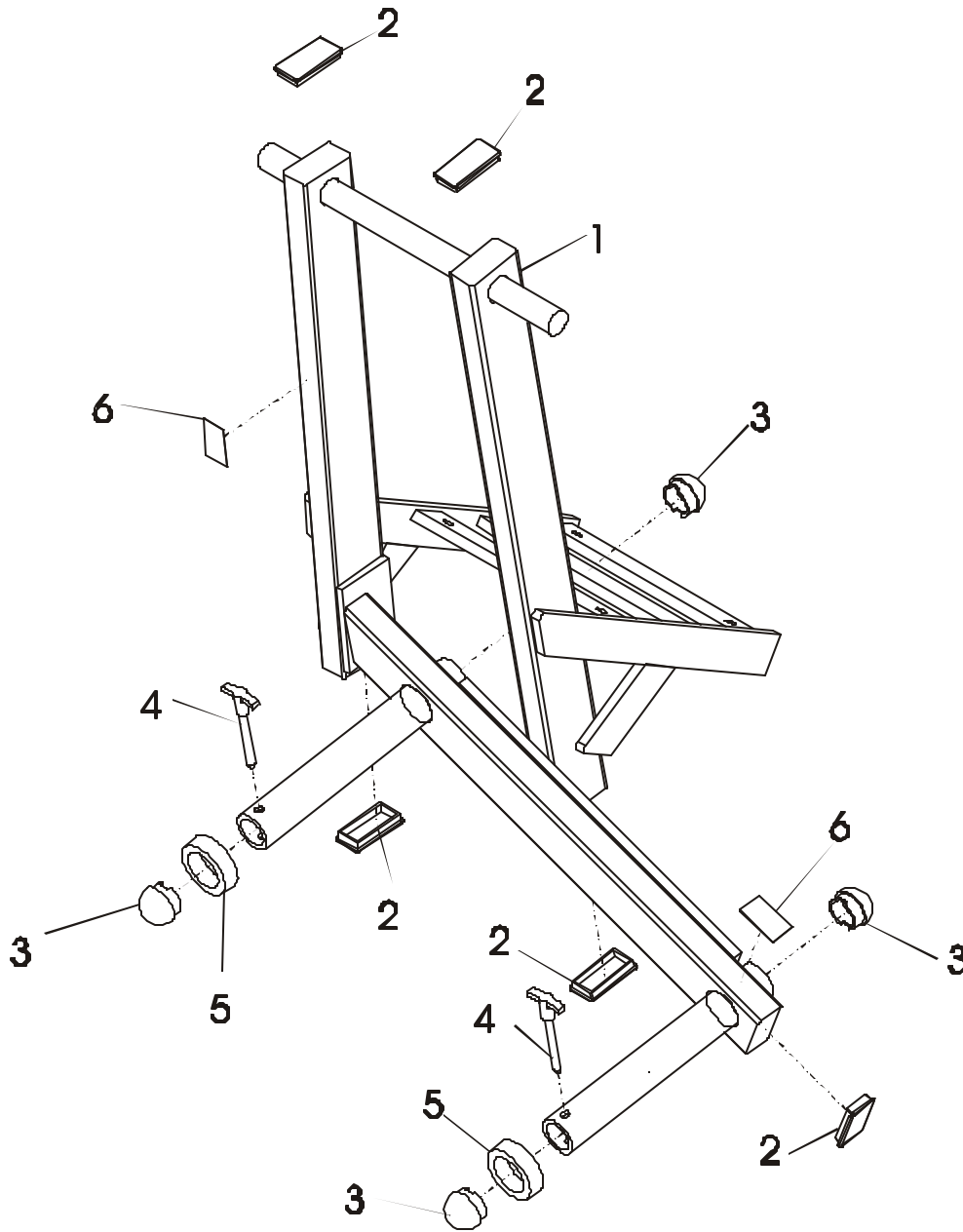
ITEM NO	QTY	PART NO.	DESCRIPTION
1	1	ILLP-SFL	Side Frame
2	1	H-BUMP-LGE	MM1 Large
3	2	WASH.5SAE	1/2" SAE Flat Washer
4	2	HHB.5X4.5	1/2 X 4 1/2 Bolt
5	2	WASH.5STAR	1/2" Internal Lock Washer
6	2	NUT.5LOCK	1/2" Thick Lock Nut
7	1	WARNING LARGE-H	Large Warning Hor
8	2	H-PEND3	1 1/2 X 3 End Cap
9	4	H-HPLUG(REG)	Hole Plug



# ILLP ISO-LATERAL LEG PRESS

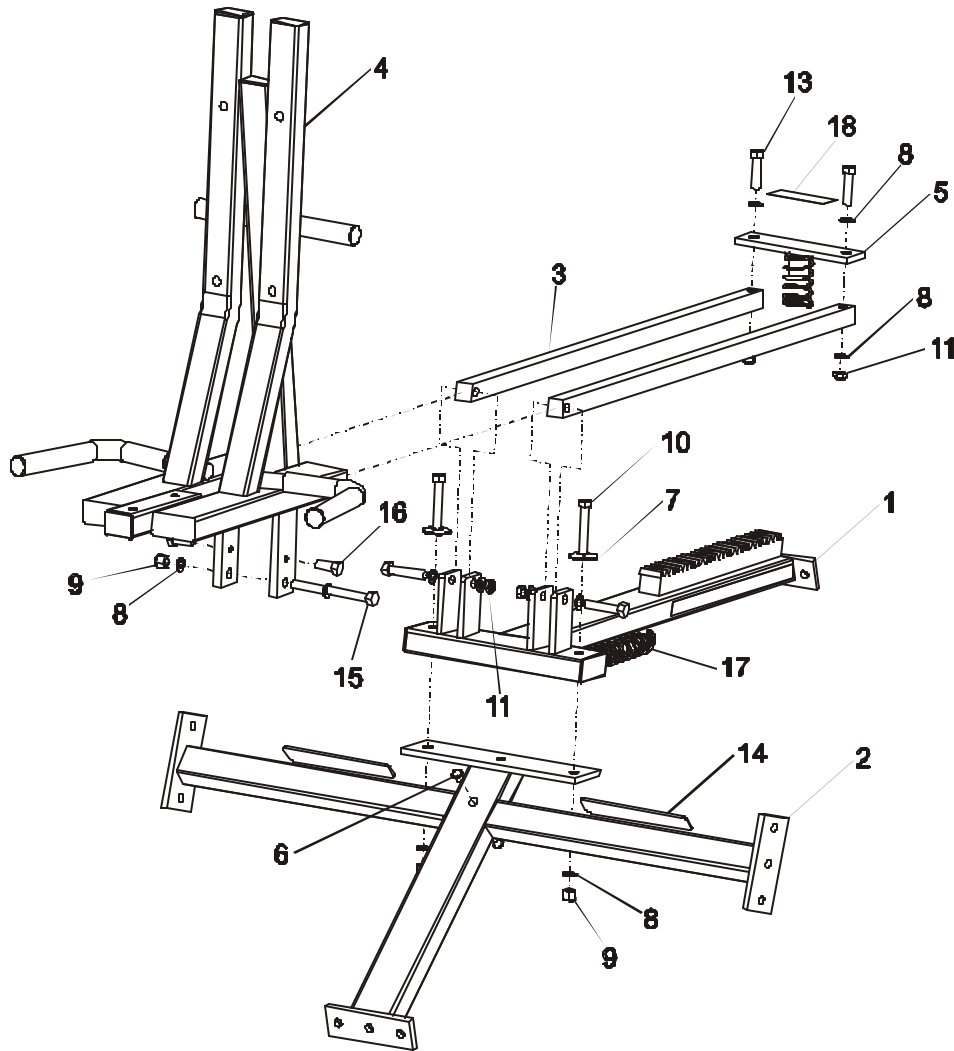
## MOVEMENT ARM ASSEMBLY

---



ITEM NO.	QTY.	PART NO.	DESCRIPTION
1	1	ILLP-MAL-1	LEFT MOVEMENT ARM
2	5	H-PEND3	1 1/2 X 3 End Cap
3	4	H-BENDCAP	Bullet Cap
4	2	SELECTOR PIN-4	SELECTOR PIN 4 INCH
5	2	H-RUBRNG	MM5 Ring
6	2	STAY CLEAR	Stay Clear Decal

# ILLP ISO-LATERAL LEG PRESS SEAT RACK FRAME ASSEMBLY

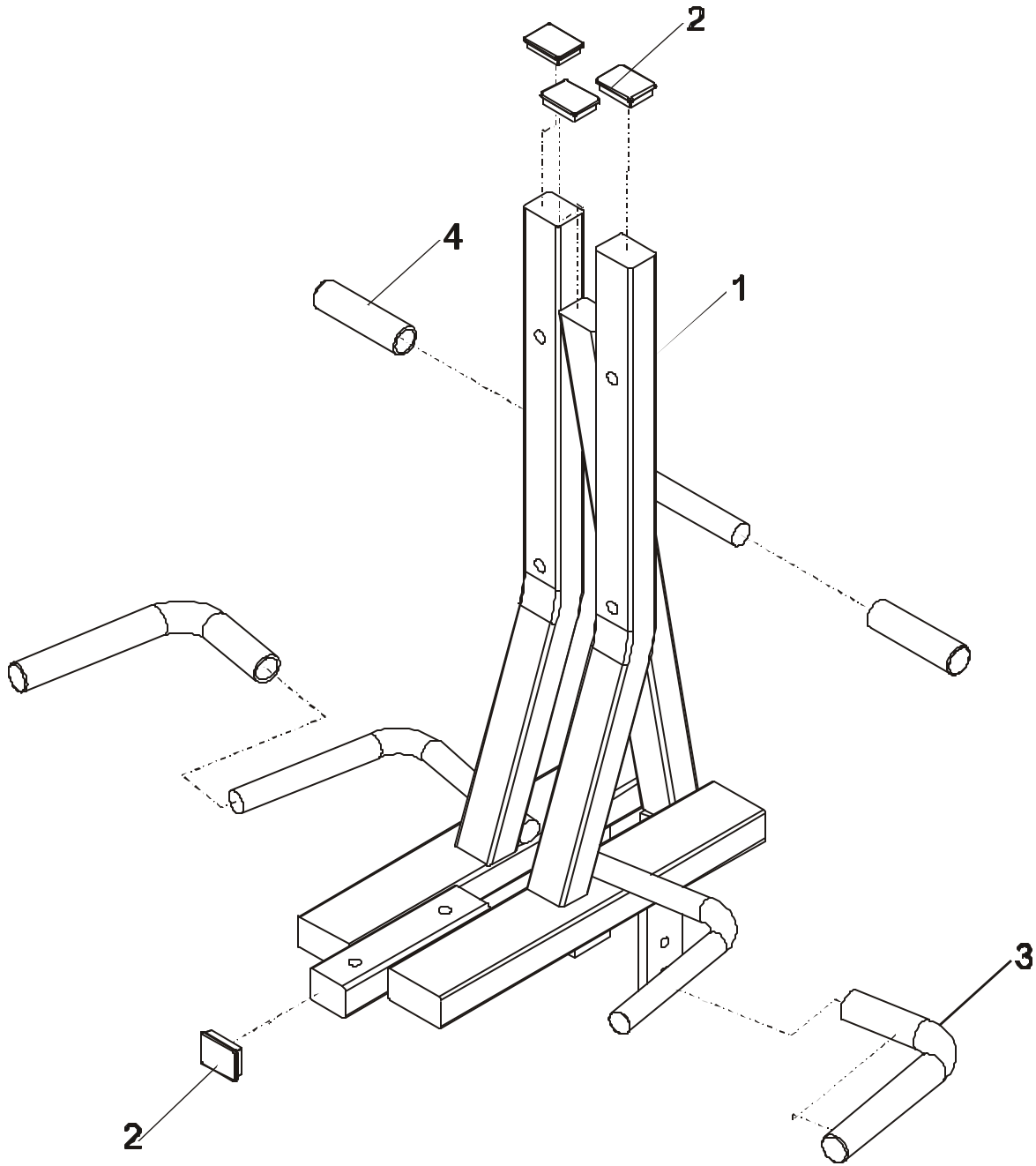


ITEM NO	QTY	PART NO.	DESCRIPTION
1	1	ILLP-CST-0	Seat Rack Frame Assembly
2	1	ILLP-ST2-0	Seat Frame 2
3	2	ILLP-19-0	Seat Guide
4	1	ILLP-CAJST-0	Adj. Seat Frame Assembly
5	1	ILLP-ETC-0	Top Spring Guide Assembly
6	2	H-HPLUG(SMALL)	Hole Plug
7	2	H-BACK-WASH	Backing Washer
8	12	WASH.5STAR	1/2" Internal Lock Washer
9	3	NUT.5LOCK	1/2" Thick Lock Nut
10	2	HNB.5X3	1/2 X 3 Bolt
11	4	NUT.5JAMLOCK	1/2" Thin Lock Nut
12	2	HNB.5X2.5	1/2 X 2 1/2 Bolt
13	2	HNB.5X2	1/2 X 2 Bolt
14	2	H-PLATE-G1	Small Plate Guard
15	1	HNB.5X5.5	1/2 X 5 1/2 Bolt
16	2	HNB-NYLON	1/2 X 1 Bolt NYLON
17	1	LP-EX-SPRNG	Leg Press Extension Spring
18	1	WARNING SMALL-	Small Warning Vert.

# ILLP ISO-LATERAL LEG PRESS

## ADJUSTABLE SEAT

---

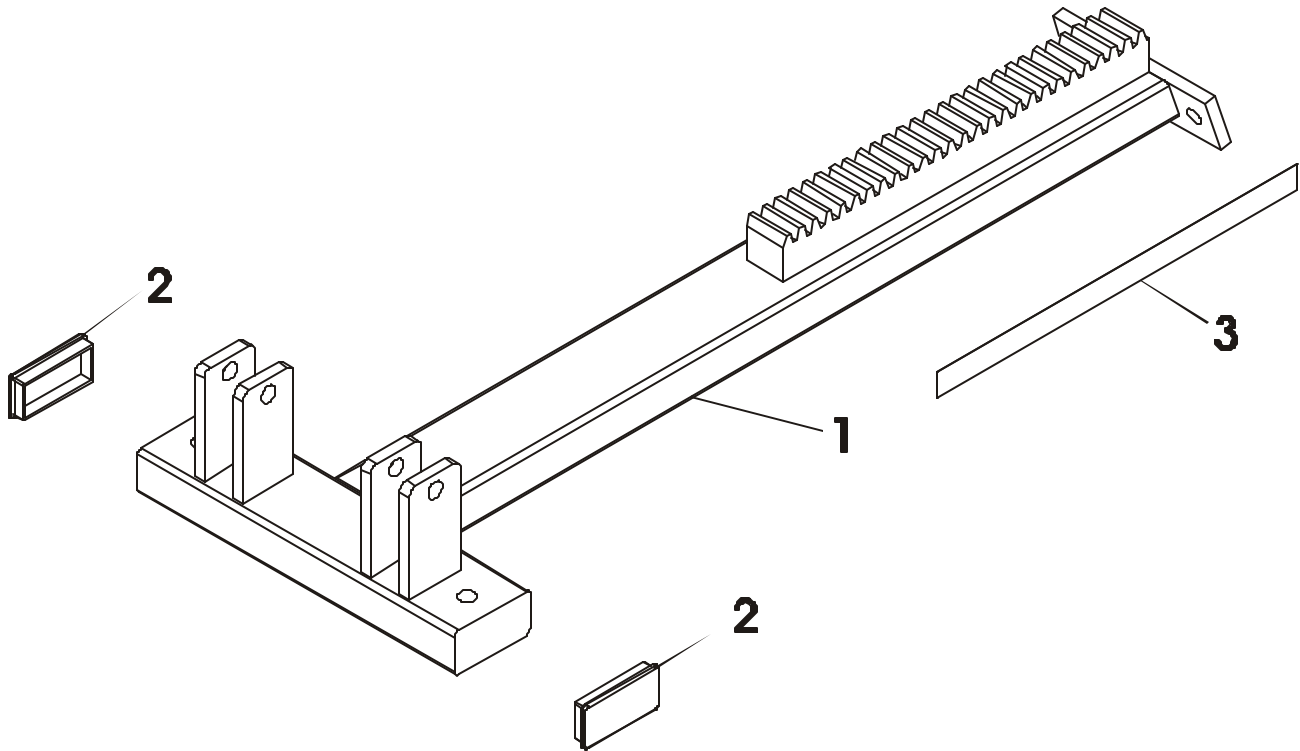


ITEM NO.	QTY.	PART NO.	DESCRIPTION
1	1	ILLP-AJST-0	Adjustable Seat
2	4	H-PEND2	1 1/2 X 2 Endcap
3	2	H-GRIP(PLL-D-2)	HandGrip
4	2	H-GRIP(PLL-D-1)	HandGrip

# ILLP ISO-LATERAL LEG PRESS

## REAR SEAT FRAME ASSEMBLY

---



ITEM NO.	QTY.	PART NO.	DESCRIPTION
1	1	ILLP-ST-0	Rear Seat Frame Assembly
2	2	H-PEND3	1 1/2 X 3 End Cap
3	1	RACK NUMBER	LP Adj. Seat No.