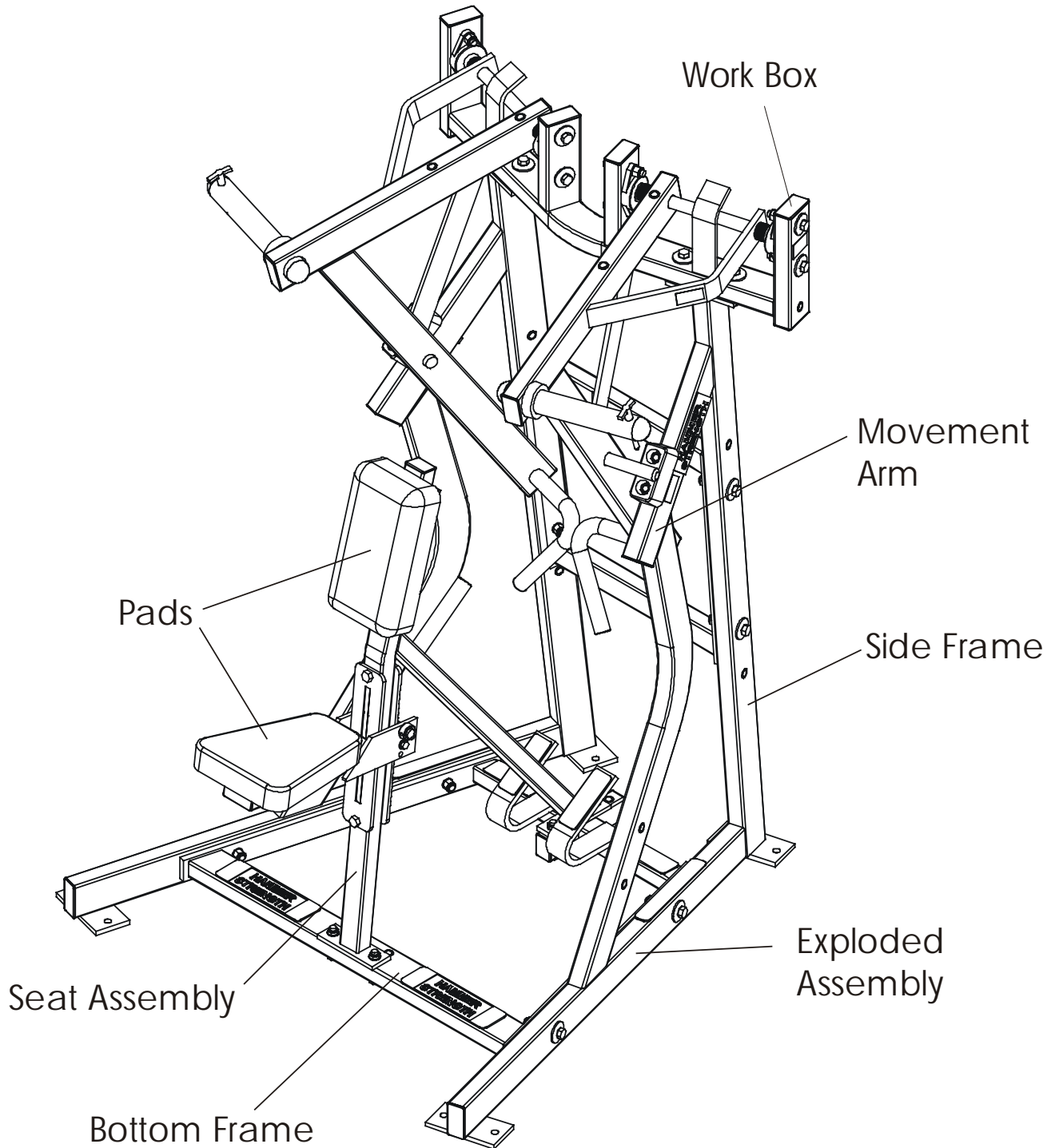
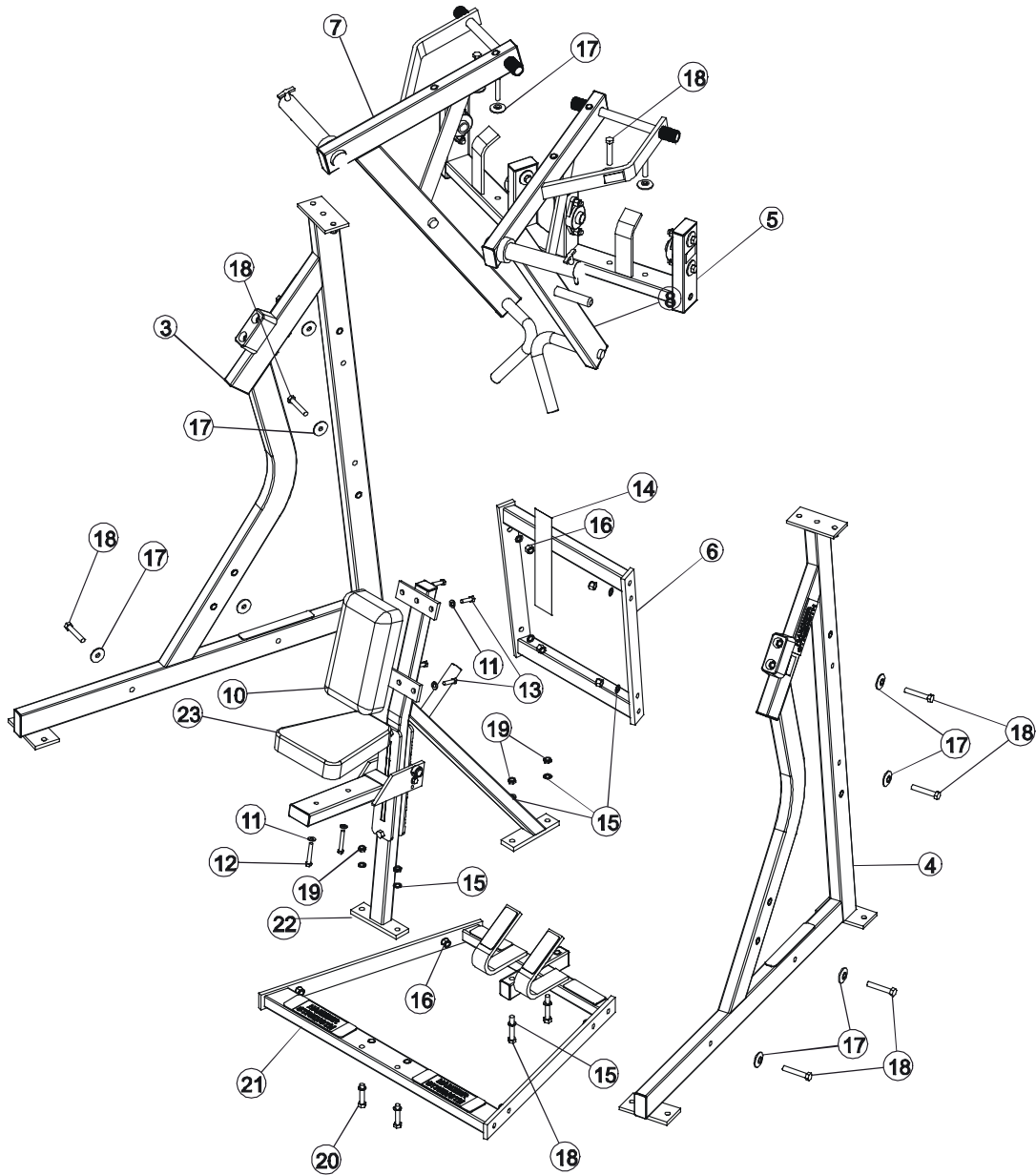


HAMMER STRENGTH EQUIPMENT
ILLR - ISO Low Row Assembly - Rev. D



HAMMER STRENGTH EQUIPMENT

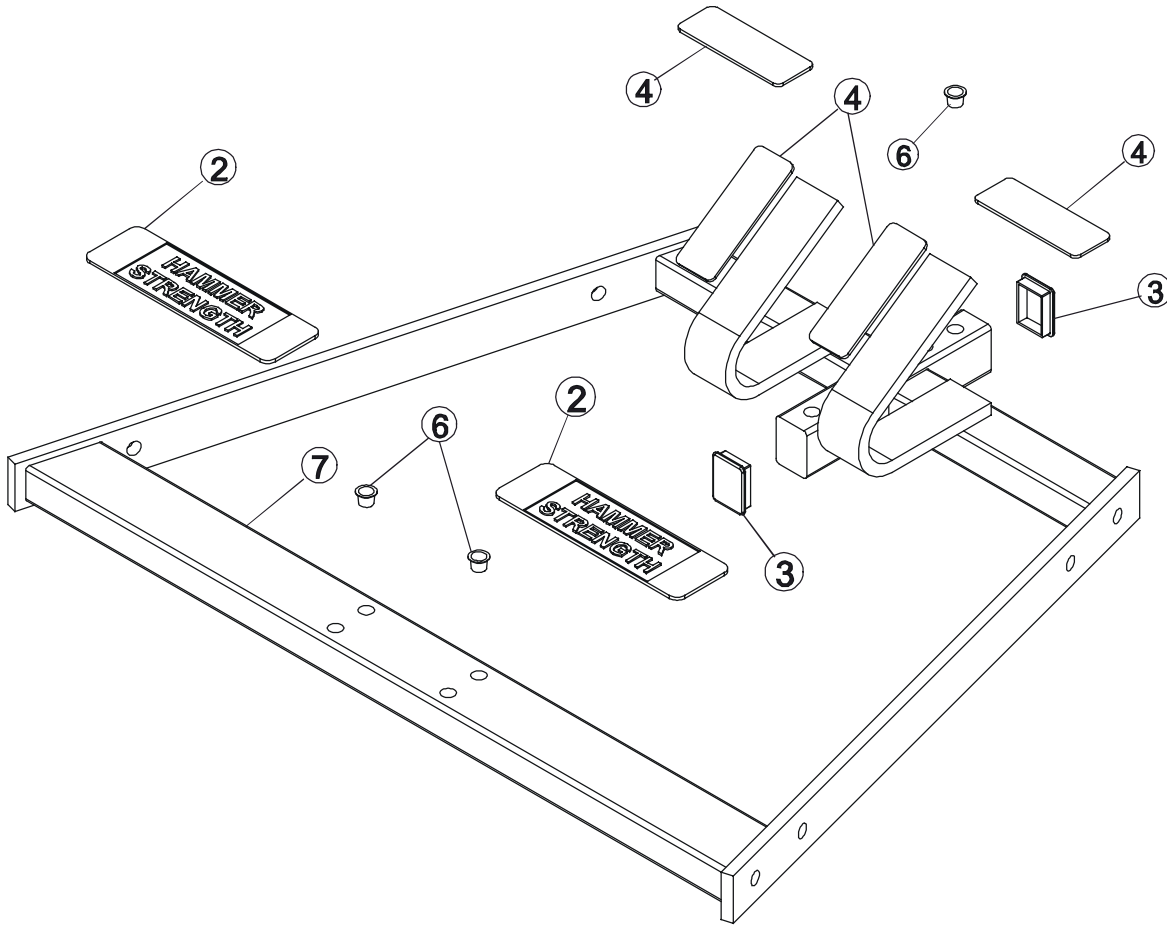
ILLR - Exploded Assembly



ITEM NO.	QTY	PART NO.	DESCRIPTION	ITEM NO.	QTY	PART NO.	DESCRIPTION
3	1	ILLR-CSFL-0	Left Side Frame Assem	14	1	ISO LOW ROW	Product Decal
4	1	ILLR-CSFR-0	Right Side Frame Assem	15	20	WASH.5STAR	1/2" Internal Lock Washer
5	1	ILLR-CTX-0	Work Box Assembly	16	12	NUT.5LOCK	1/2" Thick Lock Nut
6	1	ILLR-FX-0	Front Frame	17	12	H-BACK-WASH	Backing Washer
7	1	ILLR-CMAL-0	Left Marm Assembly	18	14	HHB.5X3	1/2 X 3 Bolt
8	1	ILLR-CMAR-0	Right Marm Assembly	19	4	NUT.5JAMLOCK	1/2" Thin Lock Nut
10	1	UROw	ROW CHEST PAD	20	2	HHB.5X2.5	1/2 X 2 1/2 Bolt
11	6	WASH.375SAE	3/8" SAE Flat Washer	21	1	ILLR-CBX-1	Base Frame Assembly
12	2	HHB.375X2.5	3/8 X 2 1/2 Bolt	22	1	ILLR-CST-1	Seat Frame Assembly
13	4	HHB.375X1.5	3/8 X 1 1/2 Bolt	23	1	U12-5 REG	12" Triangular Pad

HAMMER STRENGTH EQUIPMENT

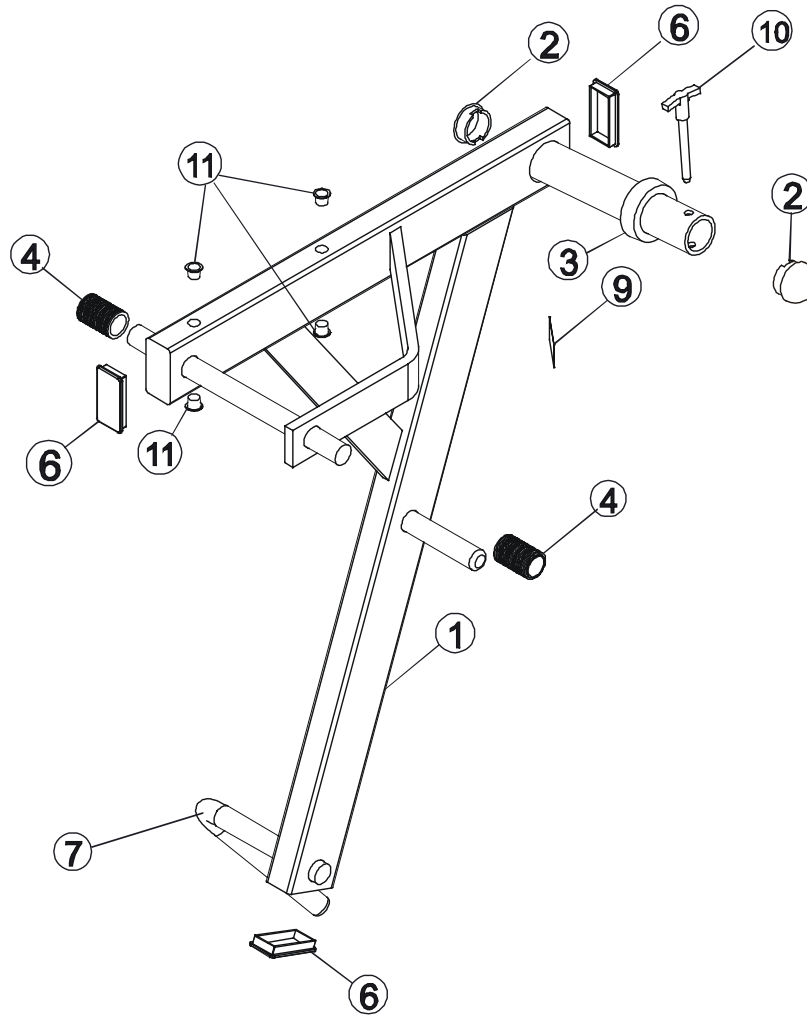
ILLR - Bottom Frame



ITEM NO.	QTY.	PART NO.	DESCRIPTION
2	2	H-NONSKID3	2 5/8 X 9 Nonskid
3	2	H-PEND2	1 1/2 X 2 Endcap
4	4	H-PLATE-G2(CUT)	Medium Plate Guard
6	3	H-HPLUG(REG)	9/16" Hole Plug
7	1	ILLR-BX-1	Bottom Frame

HAMMER STRENGTH EQUIPMENT

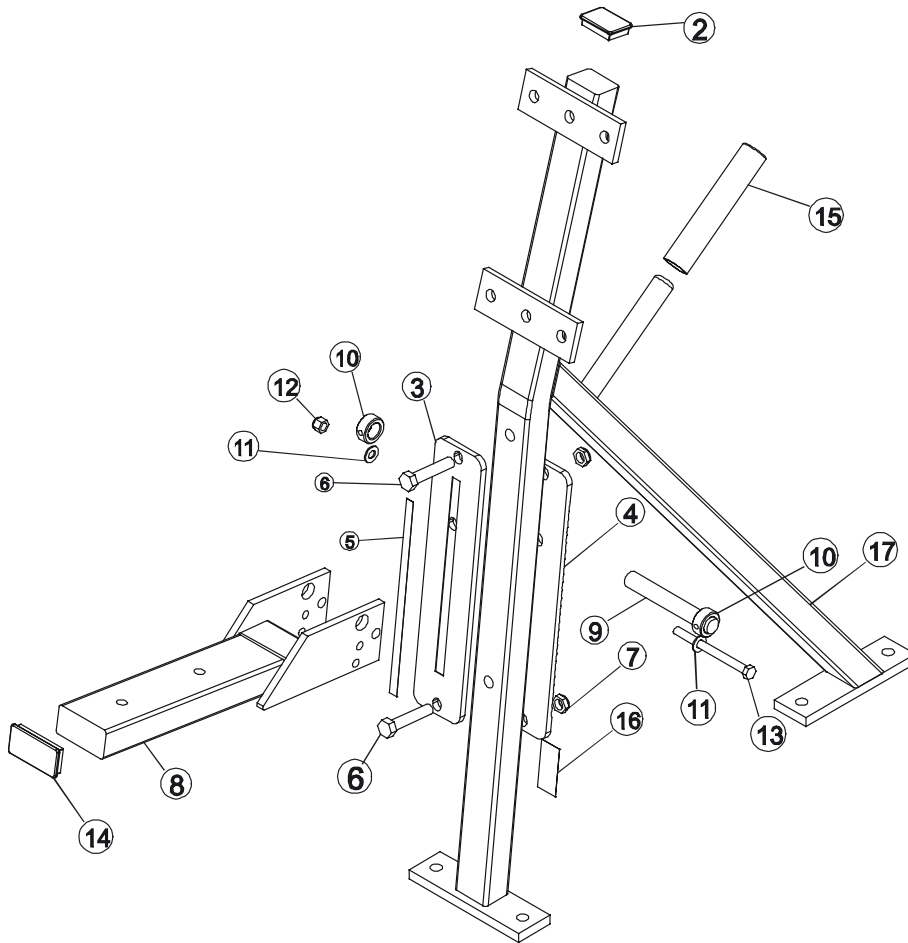
ILLR - Movement Arm



ITEM NO.	QTY.	PART NO.	DESCRIPTION
1	1	ILLR-MAL-0	Left Movement Arm
2	2	H-BENDCAP	Bullet Cap
3	1	H-RUBRNG	MM5 Ring
4	2	ACCORDIAN	Shaft Guard
6	3	H-PEND3	1 1/2 X 3 End Cap
7	1	H-GRIP(ILLR-C-2)	HandGrip
9	1	STAY CLEAR	Stay Clear Decal
10	1	SELECTOR PIN-4	SELECTOR PIN 4 INCH
11	4	H-HPLUG(REG)	9/16" Hole Plug

HAMMER STRENGTH EQUIPMENT

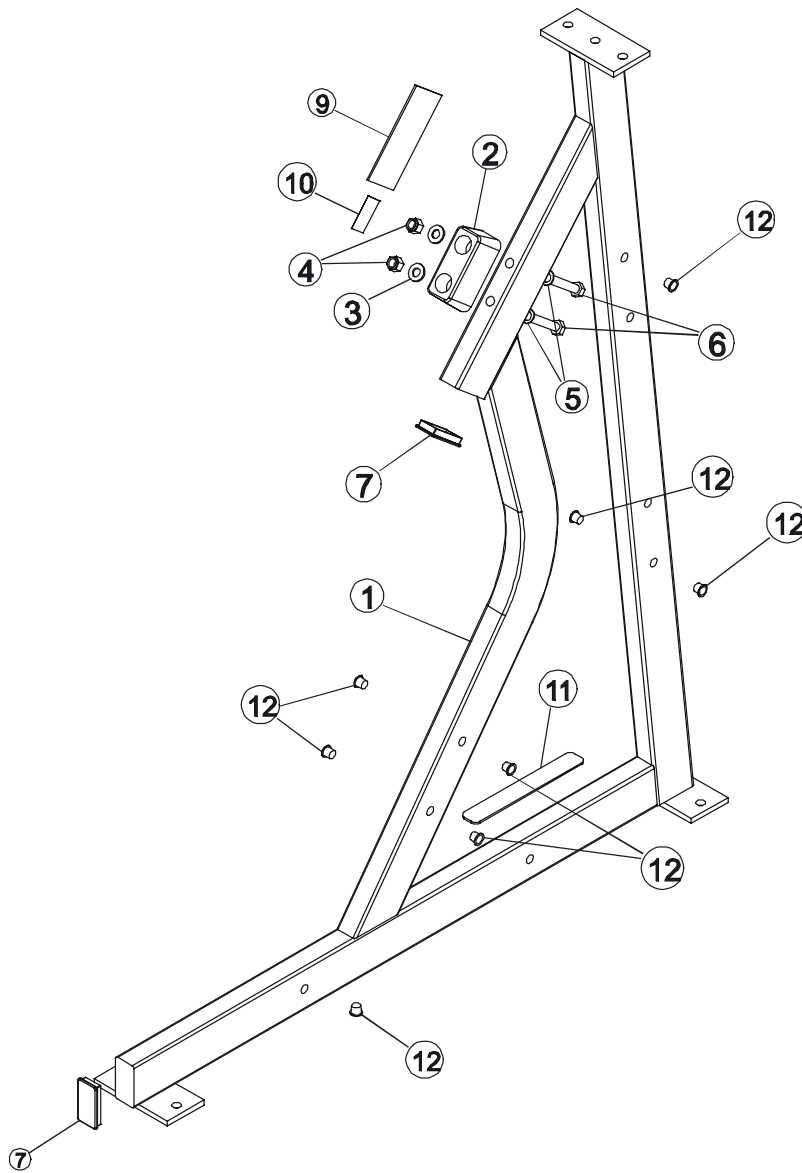
ILLR - Seat Frame



ITEM NO.	QTY.	PART NO.	DESCRIPTION
2	1	H-PEND2	1 1/2 X 2 Endcap
3	1	H-SEATRCKS	Seatrack Front
4	1	H-SEATRCKS-RIB	Seatrack Back
5	1	SEAT NUMBER	Seat Adj. Number
6	2	HHB.5X2.5	1/2 X 2 1/2 Bolt
7	2	NUT.5JAMLOCK	1/2" Thin Lock Nut
8	1	STD-ST	Standard Seat #1
9	1	STshft	Seat Shaft
10	2	H-LCOLLAR75	3/4" Lock Collar
11	2	WASH.375SAE	3/8" SAE Flat Washer
12	1	NUT.375LOCK	3/8" Thick Lock Nut
13	1	HHB.375X4.5	3/8 X 4.5 Bolt
14	1	H-PEND3	1 1/2 X 3 End Cap
15	1	H-GRIP(ILLR-C-1)	HandGrip
16	1	SERIAL NUMBER	Serial Number
17	1	ILLR-ST-1	Seat Frame

HAMMER STRENGTH EQUIPMENT

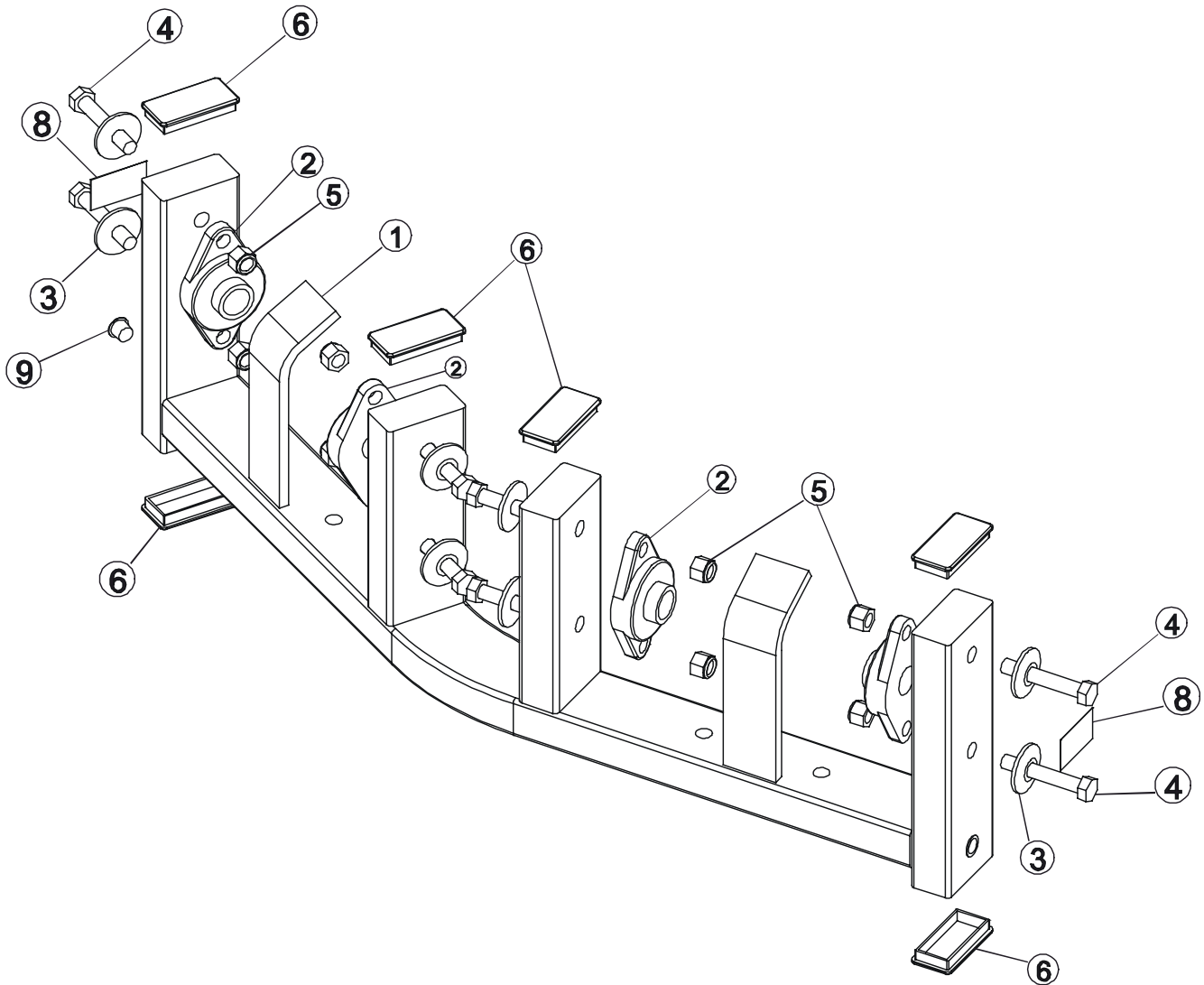
ILLR - Side Frame



ITEM NO.	QTY.	PART NO.	DESCRIPTION
1	1	ILLR-SF-0	Side Frame
2	1	H-BUMP-MED	MM2 Medium
3	2	WASH.5SAE	1/2" SAE Flat Washer
4	2	NUT.5LOCK	1/2" Thick Lock Nut
5	2	WASH.5STAR	1/2" Internal Lock Washer
6	2	HHB.5X4.5	1/2 X 4 1/2 Bolt
7	2	H-PEND3	1 1/2 X 3 End Cap
9	1	H-NAMEPLATE	Name Plate
10	1	STAY CLEAR	Stay Clear Decal
11	1	H-NONSKID1	1 1/4 X 9 Nonskid
12	9	H-HPLUG(REG)	9/16" Hole Plug

HAMMER STRENGTH EQUIPMENT

ILLR - Work Box Assembly



ITEM NO.	QTY.	PART NO.	DESCRIPTION
1	1	ILLR-TX-0	Workbox
2	4	H-BEAR-SML	Small Bearing
3	8	H-BACK-WASH	Backing Washer
4	8	HHB.5X3	1/2 X 3 Bolt
5	8	NUT.5LOCK	1/2" Thick Lock Nut
6	6	H-PEND3	1 1/2 X 3 End Cap
8	2	STAY CLEAR	Stay Clear Decal
9	2	H-HPLUG(REG)	9/16" Hole Plug