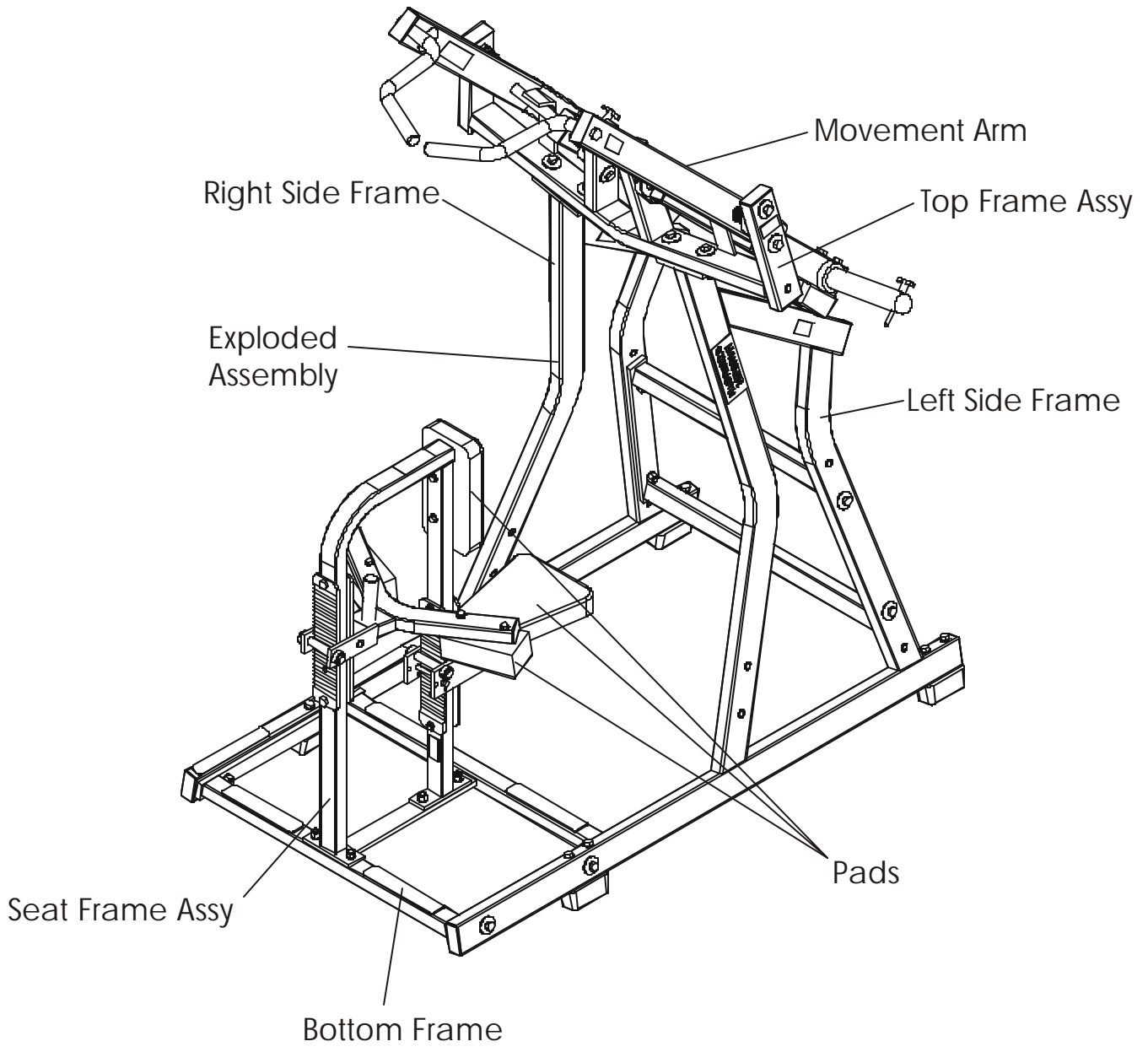
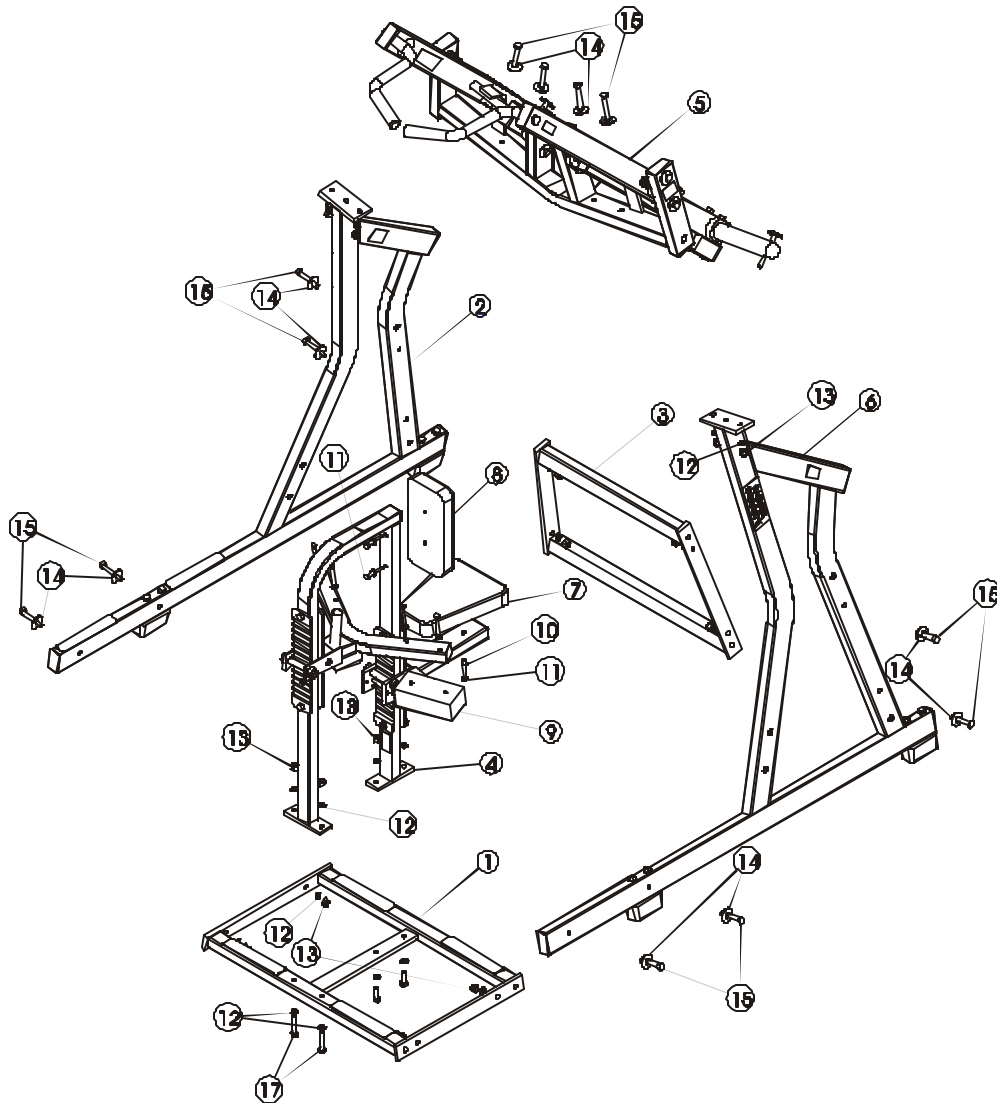


HAMMER STRENGTH EQUIPMENT
ILPD - ISO Lateral Front Lat Pulldown Rev. B



HAMMER STRENGTH EQUIPMENT

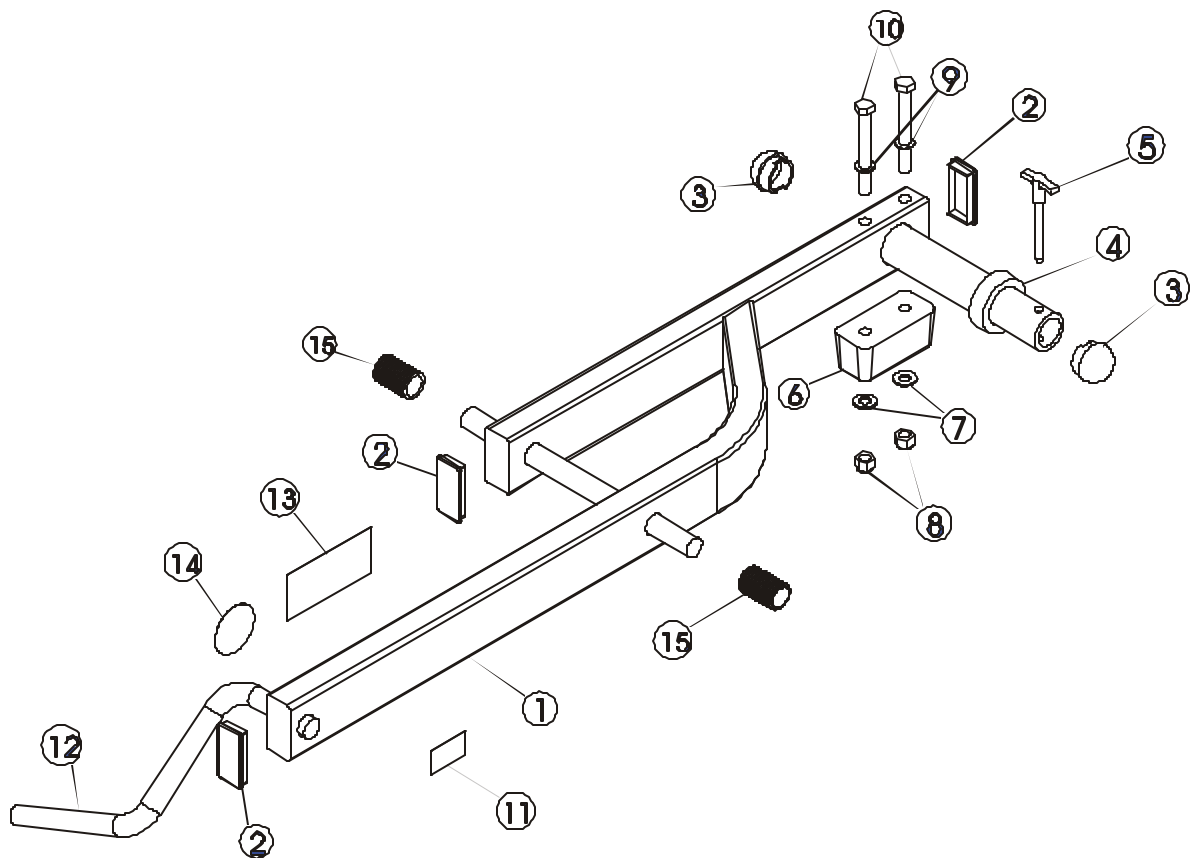
ILPD - Exploded Assembly



ITEM NO.	QTY.	PART NO.	DESCRIPTION
1	1	ILPD-CBX-0	Bottom Frame Assembly
2	1	ILPD-CSFR-0	Right SF Assembly
3	1	ILPD-FX-0	Rear H-Frame
4	1	ILPD-CST-0	Seat Frame Assembly
5	1	ILPD-CTX-0	Top Frame Assembly
6	1	ILPD-CSFL-0	Left SF Assembly
7	1	U12-5	12" Triangular Pad
8	1	U12-4.5 S-WC	12" Rectangular Pad
9	2	U4W	Knee Pad
10	8	WASH.375SAE	3/8" SAE Flat Washer
11	8	HHB.375X2.5	3/8 X 2 1/2 Bolt
12	20	WASH.5STAR	1/2" Internal Lock Washer
13	16	NUT.5LOCK	1/2" Thick Lock Nut
14	12	H-BACK-WASH	Backing Washer
15	12	HHB.5X3	1/2 X 3 Bolt
16	2	HHB.5X1.5	1/2 X 1 1/2 Bolt
17	2	HHB.5X2.5	1/2 X 2 1/2 Bolt

HAMMER STRENGTH EQUIPMENT

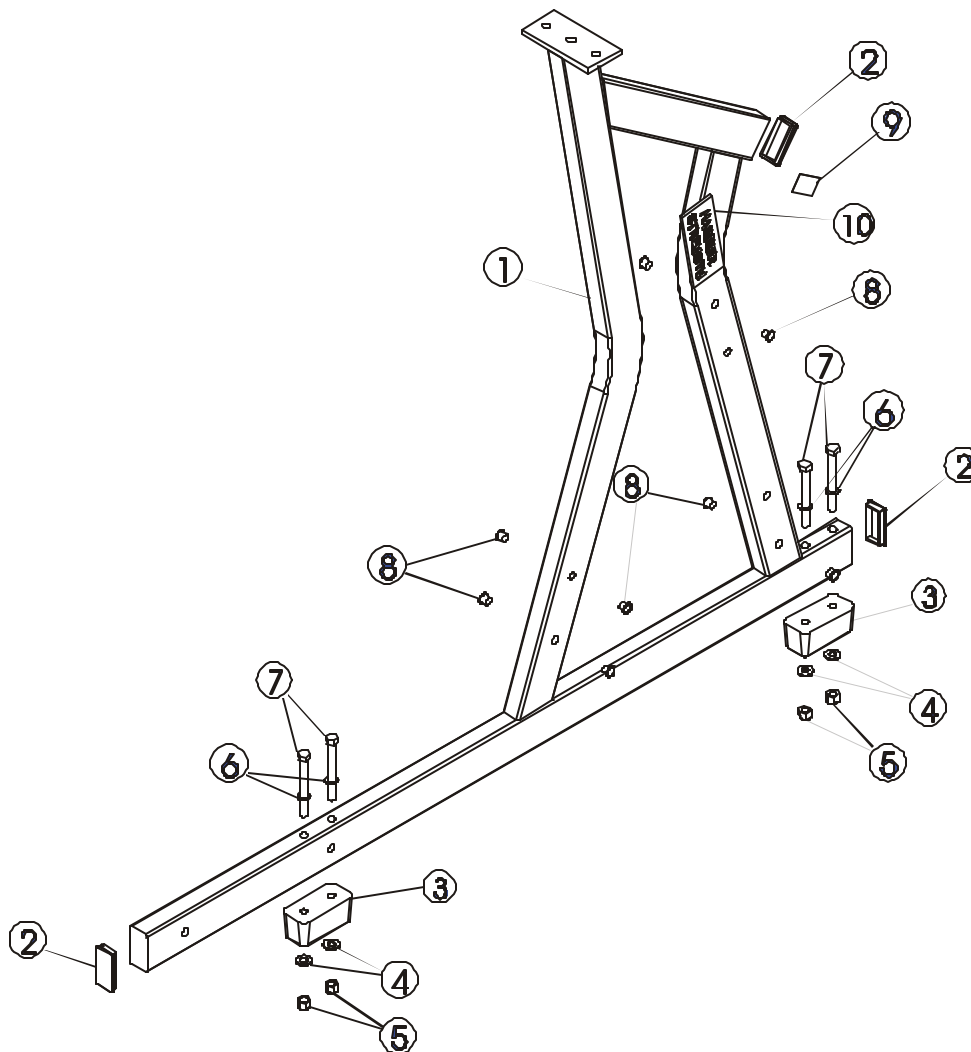
ILPD - Movement Arm



ITEM NO.	QTY.	PART NO.	DESCRIPTION
1	1	ILPD-MAR-0	Right Movement Arm
1	1	ILPD-MAL-0	Left Movement Arm
2	3	H-PEND3	1 1/2 X 3 End Cap
3	2	H-BENDCAP	Bullet Cap
4	1	H-RUBRNG	MM5 Ring
5	1	SELECTORPIN-4	Selector Pin
6	1	H-BUMP-MED	MM2 Medium
7	2	WASH.5SAE	1/2" SAE Flat Washer
8	2	NUT.5LOCK	1/2" Thick Lock Nut
9	2	WASH.5STAR	1/2" Internal Lock Washer
10	2	HHB.5X4.5	1/2 X 4 1/2 Bolt
11	1	STAY CLEAR	Stay Clear Decal
12	1	H-GRIP(ILCB-A00-2)	ILCB Handlebar 2
13	1	WARNING LARGE-H	Large Warning
14	1	DECAL-LH	Left Hand Decal
15	2	ACCORDIAN	Shaft Guard

HAMMER STRENGTH EQUIPMENT

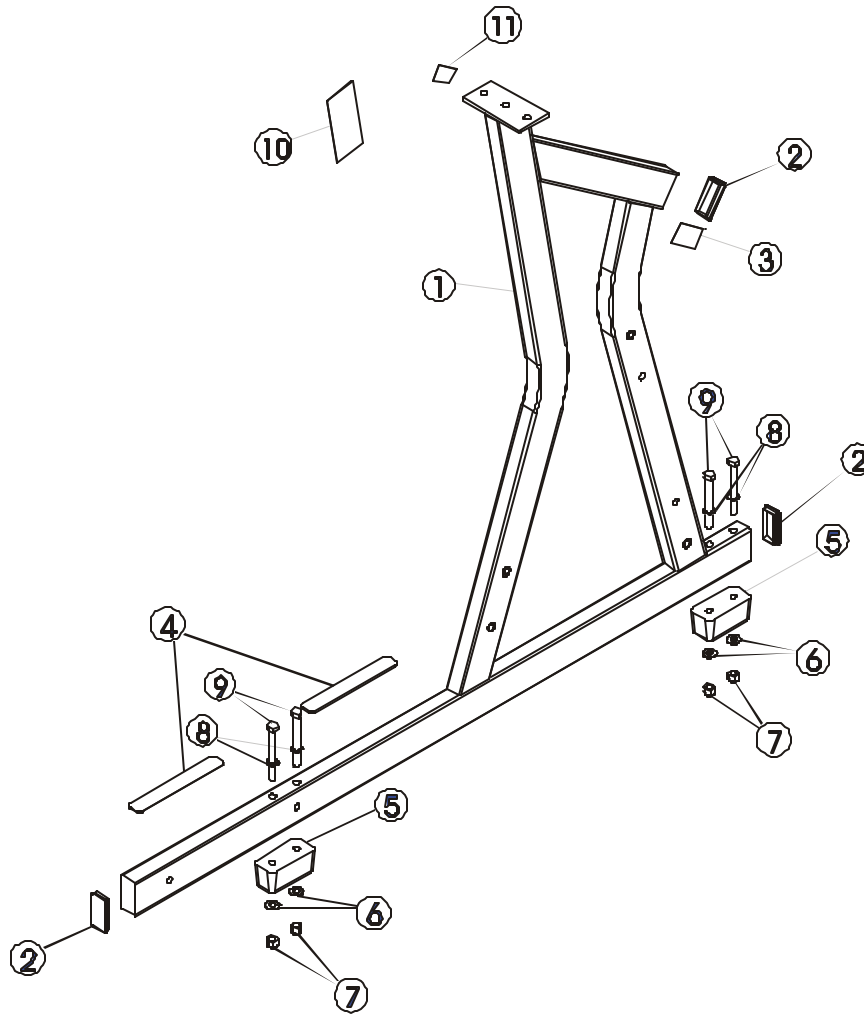
ILPD - Left Side Frame



ITEM NO.	QTY.	PART NO.	DESCRIPTION
1	1	ILPD-SF-0	Side Frame
2	3	H-PEND3	1 1/2 X 3 End Cap
3	2	H-BUMP-MED	MM2 Medium
4	4	WASH.5SAE	1/2" SAE Flat Washer
5	4	NUT.5LOCK	1/2" Thick Lock Nut
6	4	WASH.5STAR	1/2" Internal Lock Washer
7	4	HHB.5X4.5	1/2 X 4 1/2 Bolt
8	8	H-HPLUG	9/16" Hole Plug
9	1	STAY CLEAR	Stay Clear Decal
10	1	H-NAMEPLATE	Name Plate

HAMMER STRENGTH EQUIPMENT

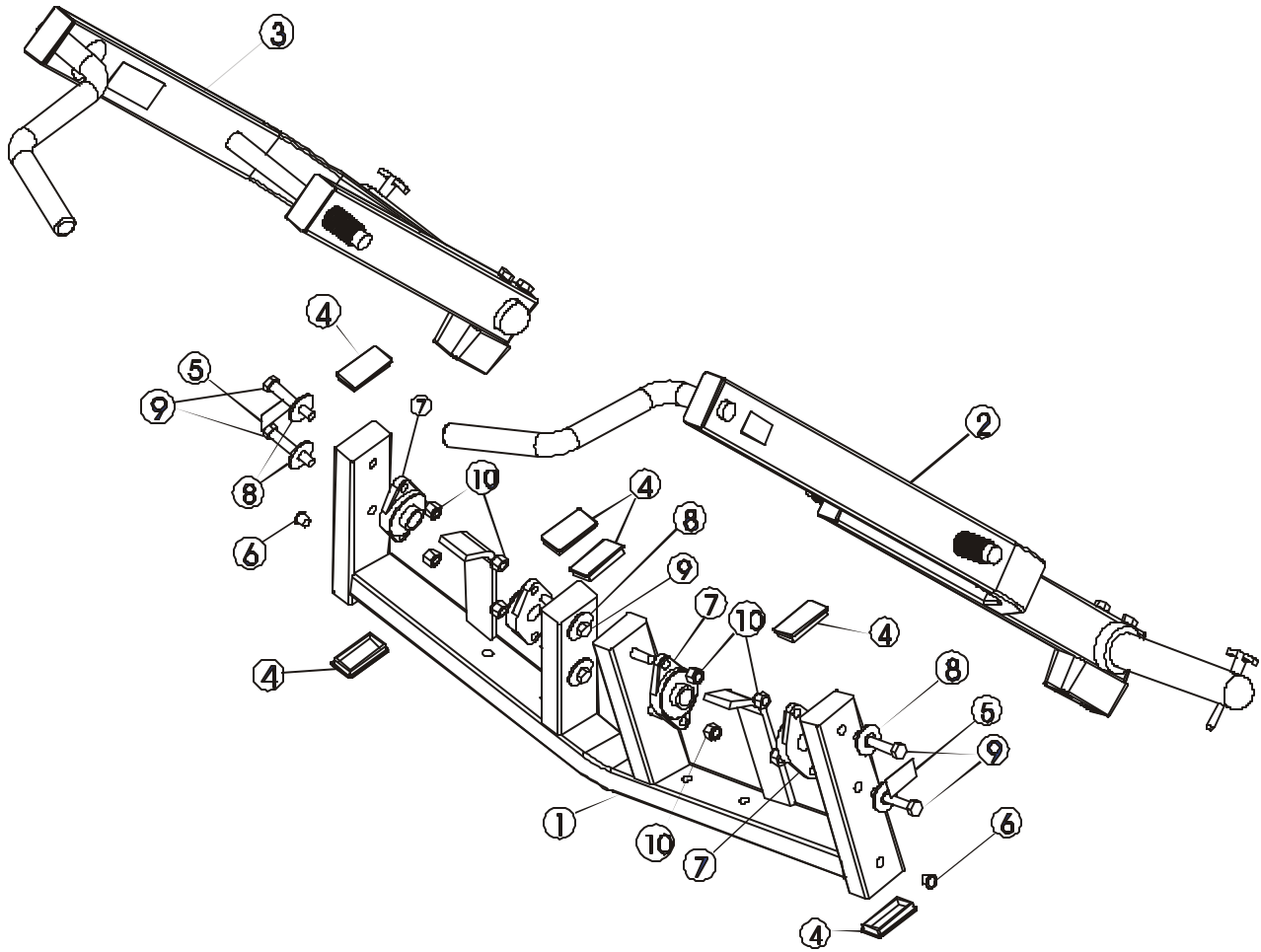
ILPD - Right Side Frame



ITEM NO.	QTY.	PART NO.	DESCRIPTION
1	1	ILPD-SF-0	Side Frame
2	3	H-PEND3	1 1/2 X 3 End Cap
3	1	PATENT	Patent Decal
4	2	H-NONSKID1	1 1/4 X 9 Nonskid
5	2	H-BUMP-MED	MM2 Medium
6	4	WASH.5SAE	1/2" SAE Flat Washer
7	4	NUT.5LOCK	1/2" Thick Lock Nut
8	4	WASH.5STAR	1/2" Internal Lock Washer
9	4	HHB.5X4.5	1/2 X 4 1/2 Bolt
10	1	H-NAMEPLATE	Name Plate
11	1	STAY CLEAR	Stay Clear Decal
12	8	H-HPLUG	9/16" Hole Plug

HAMMER STRENGTH EQUIPMENT

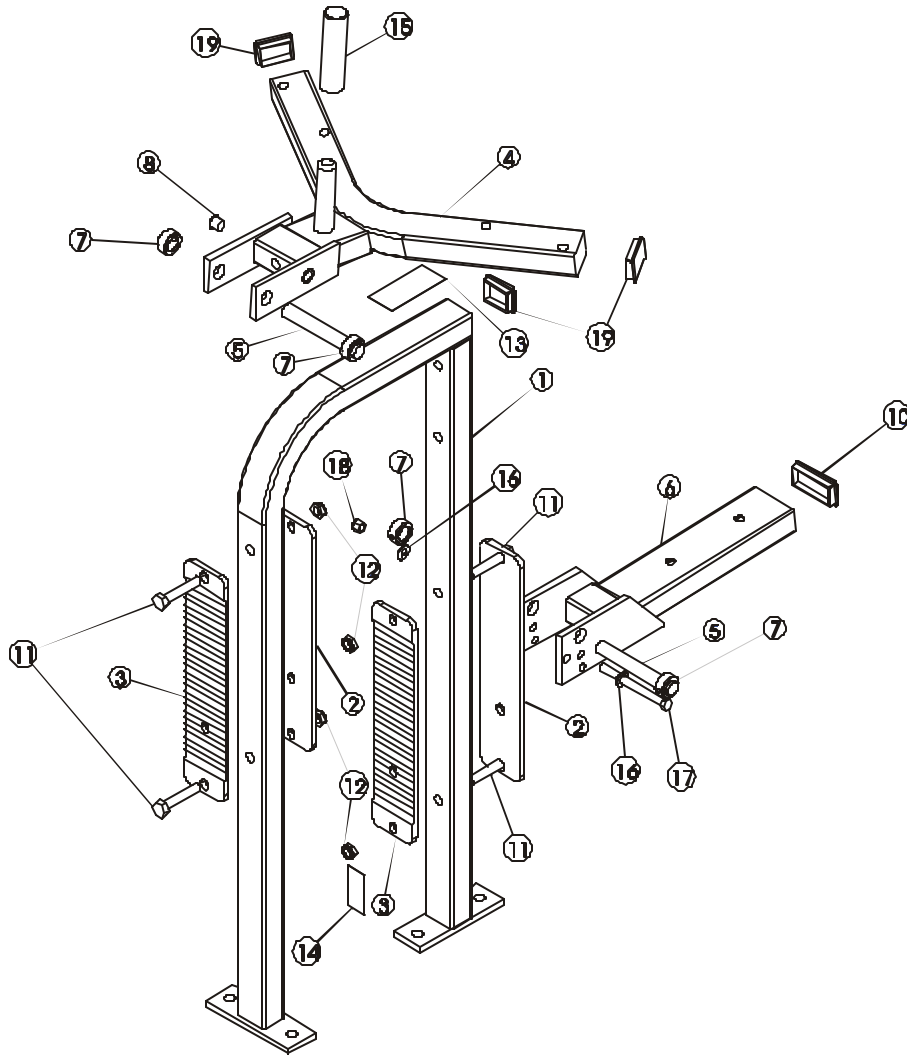
ILPD - Top Frame Assembly



ITEM NO.	QTY.	PART NO.	DESCRIPTION
1	1	ILPD-TX-0	Top Frame
2	1	ILPD-CMAL-0	Left Marm Assembly
3	1	ILPD-CMAR-0	Right Marm Assembly
4	6	H-PEND3	1 1/2 X 3 End Cap
5	2	STAY CLEAR	Stay Clear Decal
6	2	H-HPLUG	9/16" Hole Plug
7	4	H-BEAR-SML	Small Bearing
8	8	H-BACK-WASH	Backing Washer
9	8	HHB.5X3	1/2 X 3 Bolt
10	8	NUT.5LOCK	1/2" Thick Lock Nut

HAMMER STRENGTH EQUIPMENT

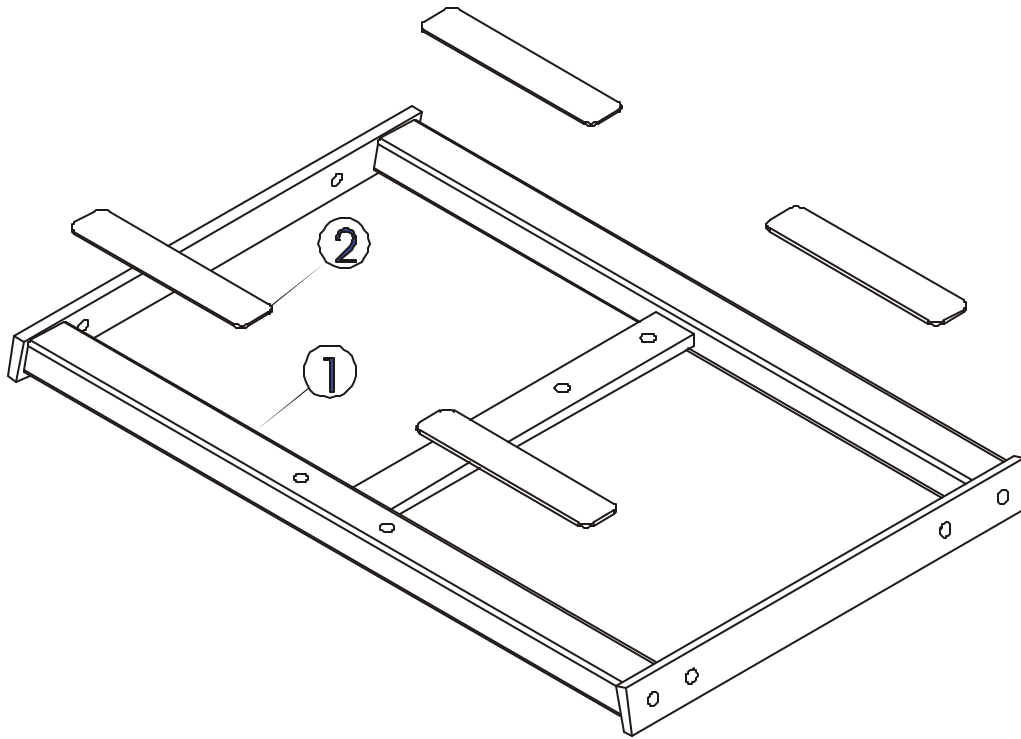
ILPD - Seat Frame Assembly



ITEM NO.	QTY.	PART NO.	DESCRIPTION
1	1	ILPD-ST.-0	Seat Frame
2	2	H-SEATRCKS	Seatrack Front
3	2	H-SEATRCKS-RIB	Seatrack Back
4	1	ST4-C01	THIGH HOLD DOWN PAD
5	2	STshft	Seat Shaft
6	1	STD-ST	Standard Seat #1
7	4	H-LCOLLAR75	3/4" Lock Collar
8	2	H-HPLUG	9/16" Hole Plug
10	1	H-PEND3	1 1/2 X 3 End Cap
11	4	HHB.5X2.5	1/2 X 2 1/2 Bolt
12	4	NUT.5JAMLOCK	1/2" Thin Lock Nut
13	1	WARNING SMALL-V	Small Warning
14	1	SERIAL NUMBER	Serial Number
15	1	H-GRIP(ILLP-D-1)	HandGrip
16	2	WASH.375SAE	3/8" SAE Flat Washer
17	1	HHB.375X4.5	3/8 X 4.5 Bolt
18	1	NUT.375LOCK	3/8" Thick Lock Nut
19	3	H-PEND2	1 1/2 X 2 Endcap

HAMMER STRENGTH EQUIPMENT

ILPD - Bottom Frame



ITEM NO.	QTY.	PART NO.	DESCRIPTION
1	1	ILPD-BX-0	Bottom Frame
2	4	H-NONSKID2	1 3/4 X 9 Nonskid