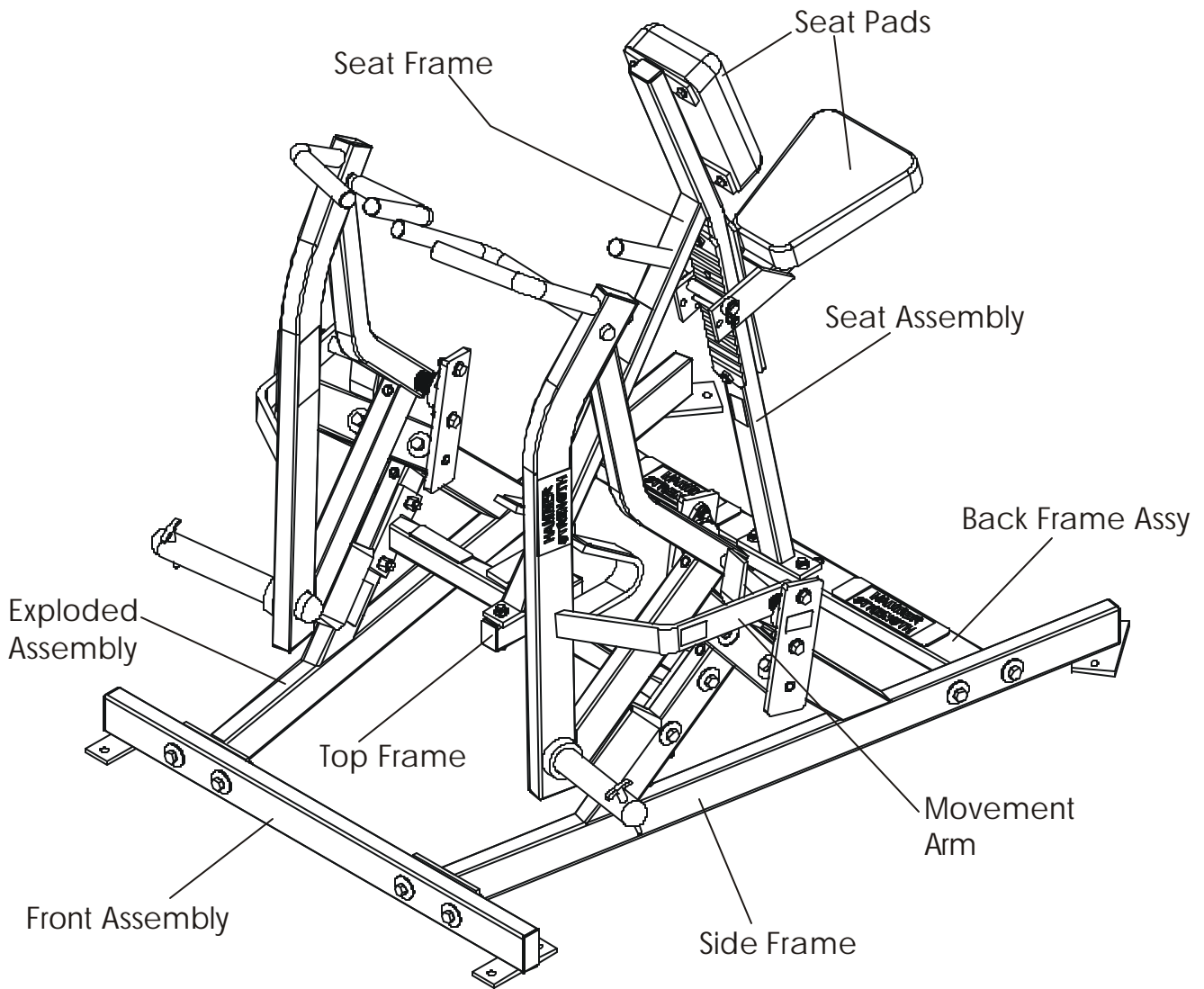


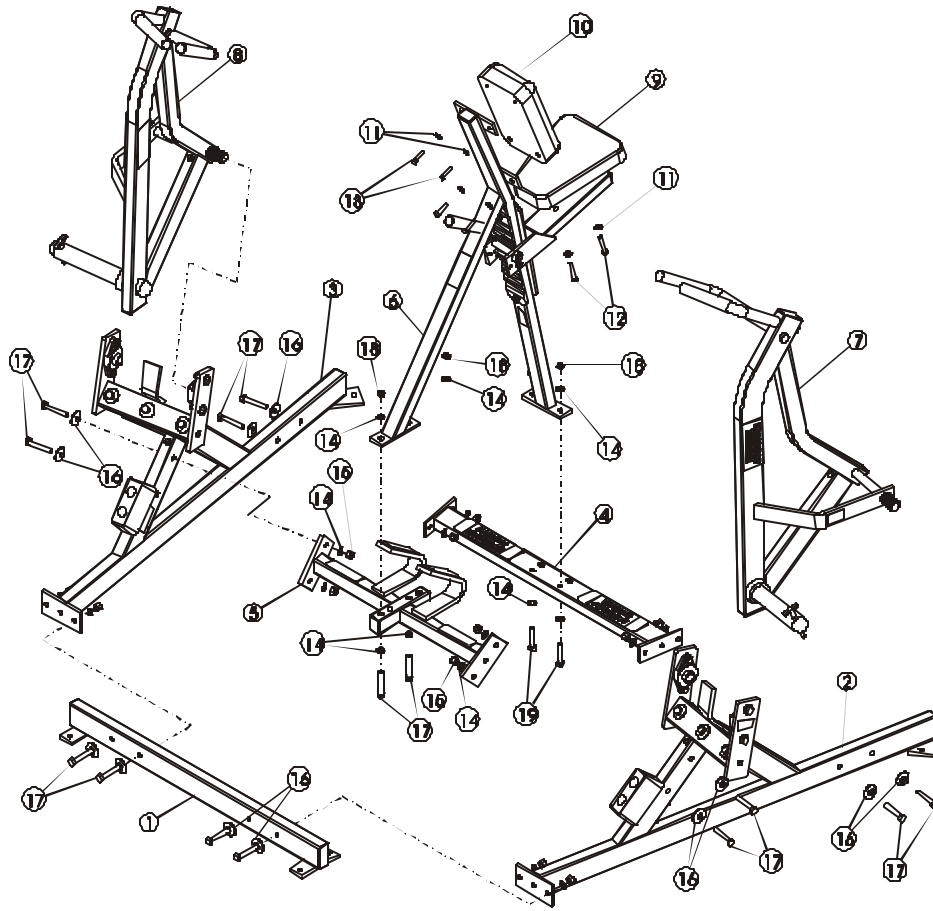
# HAMMER STRENGTH EQUIPMENT ILROW - ISO Row Assembly Rev. E

---



# HAMMER STRENGTH EQUIPMENT

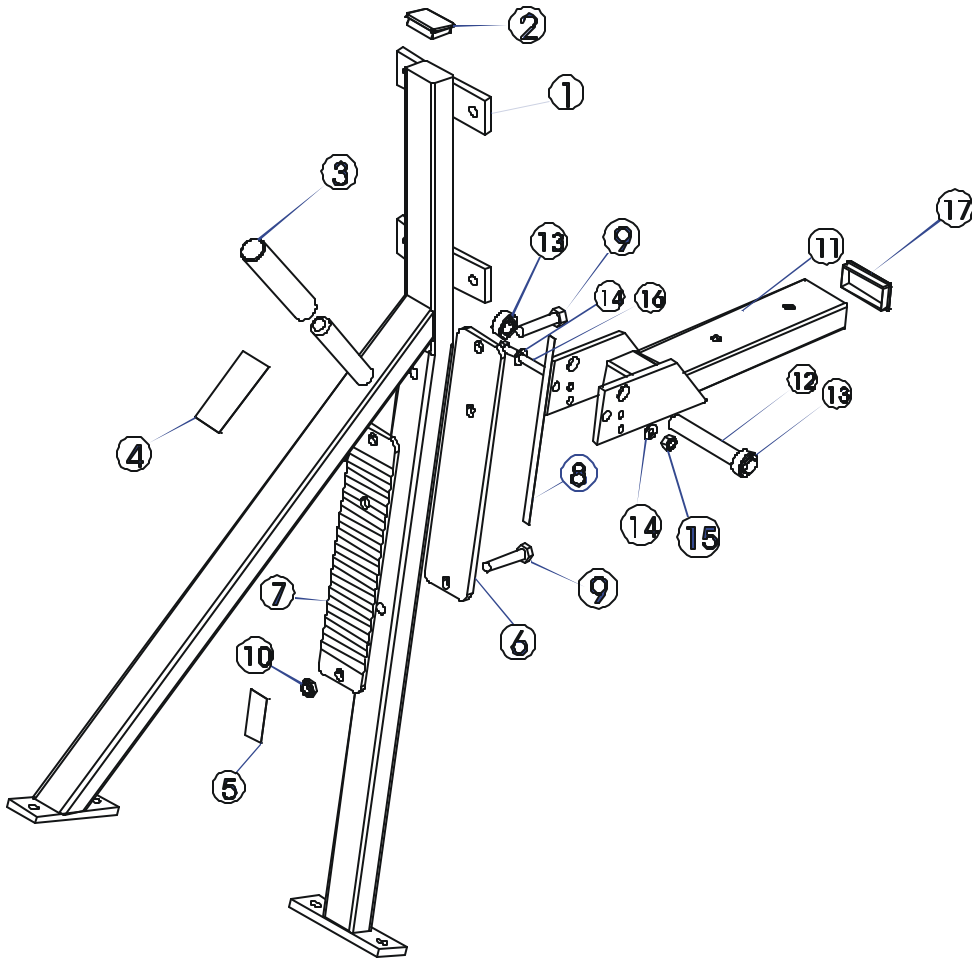
## ILROW - Exploded Assembly



ITEM NO.	QTY.	PART NO.	DESCRIPTION
1	1	ILROW-CFX-0	Front Frame Assembly
2	1	ILROW-CSFL-0	Left SF Assembly
3	1	ILROW-CSFR-0	Right SF Assembly
4	1	ILROW-CBX-0	Back Frame Assembly
5	1	ILROW-CTX-0	Top Frame Assembly
6	1	ILROW-CST-0	Seat Frame Assembly
7	1	ILROW-CMAL-0	Left Marm Assembly
8	1	ILROW-CMAR-0	Right Marm Assembly
9	1	U12-5	12" Triangular Pad
10	1	UROW	ROW CHEST PAD
11	6	WASH.375SAE	3/8" SAE Flat Washer
12	2	HHB.375X2.5	3/8 X 2 1/2 Bolt
13	4	HHB.375X1.5	3/8 X 1 1/2 Bolt
14	20	WASH.5STAR	1/2" Internal Lock Washer
15	12	NUT.5LOCK	1/2" Thick Lock Nut
16	12	H-BACK-WASH	Backing Washer
17	14	HHB.5X3	1/2 X 3 Bolt
18	4	NUT.5JAMLOCK	1/2" Thin Lock Nut
19	2	HHB.5X2.5	1/2 X 2 1/2 Bolt

# HAMMER STRENGTH EQUIPMENT

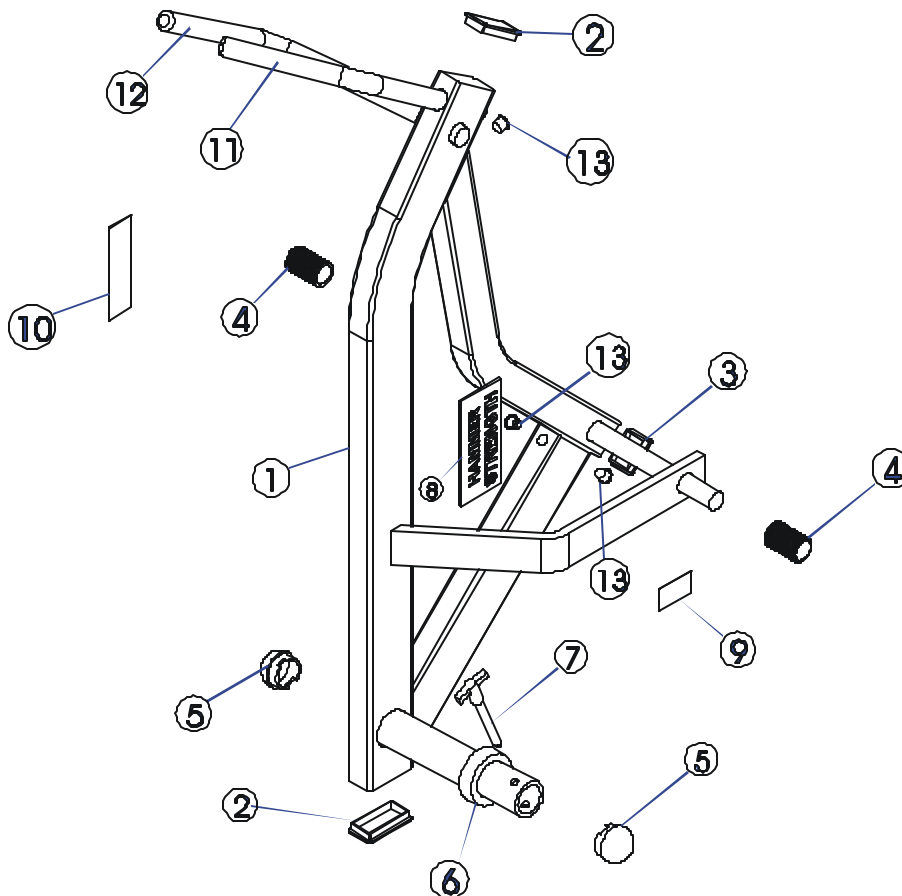
## ILROW - Seat Frame



ITEM NO.	QTY.	PART NO.	DESCRIPTION
1	1	ILROW-ST-0	Seat Frame
2	1	H-PEND2	1 1/2 X 2 Endcap
3	1	H-GRIP(ILLR-C-1)	HandGrip
4	1	WARNING SMALL-V	Small Warning
5	1	SERIAL NUMBER	Serial Number
6	1	H-SEATRCKS	Seatrack Front
7	1	H-SEATRCKS-RIB	Seatrack Back
8	1	SEAT NUMBER	Seat Adj. Number
9	2	HHB.5X2.5	1/2 X 2 1/2 Bolt
10	2	NUT.5JAMLOCK	1/2" Thin Lock Nut
11	1	STD-ST	Standard Seat #1
12	1	STshft	Seat Shaft
13	2	H-LCOLLAR75	3/4" Lock Collar
14	2	WASH.375SAE	3/8" SAE Flat Washer
15	1	NUT.375LOCK	3/8" Thick Lock Nut
16	1	HHB.375X4.5	3/8 X 4.5 Bolt
17	1	H-PEND3	1 1/2 X 3 End Cap

# HAMMER STRENGTH EQUIPMENT

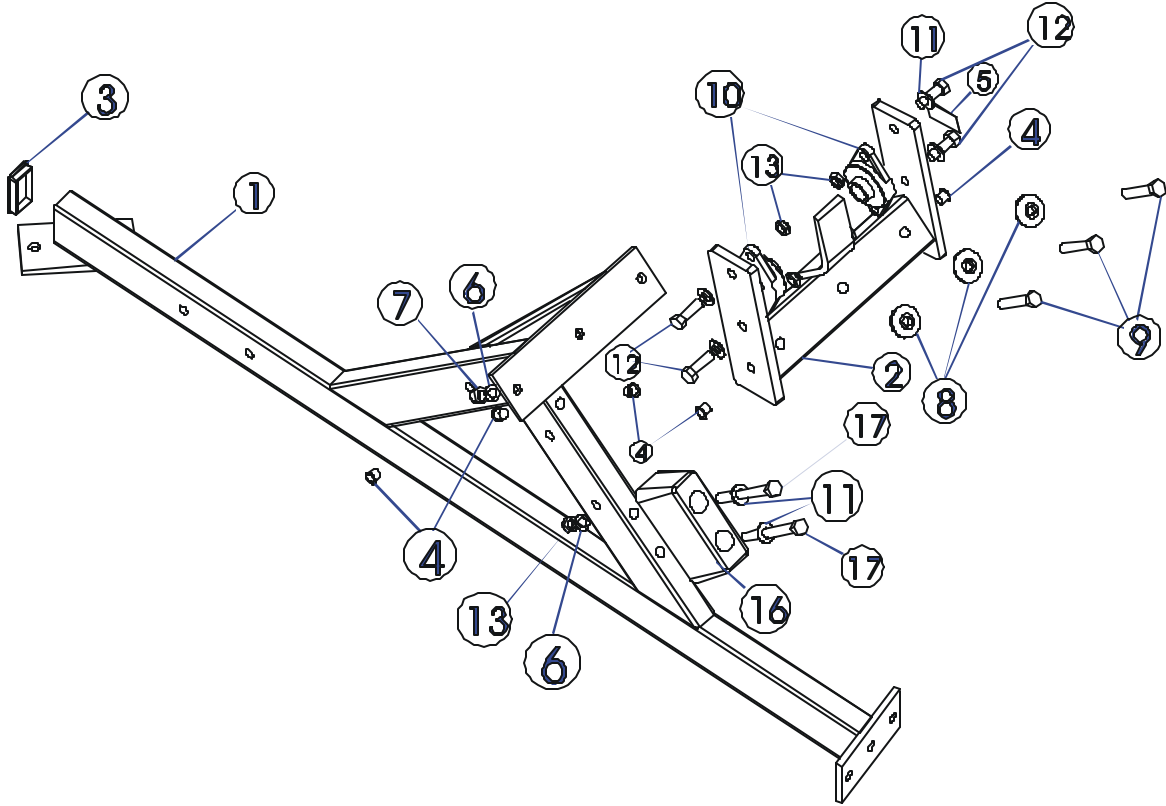
## ILROW - Movement Arm



ITEM NO.	QTY.	PART NO.	DESCRIPTION
1	1	ILROW-MAR-0	Right Movement Arm
1	1	ILROW-MAL-0	Left Movement Arm
2	2	H-PEND3	1 1/2 X 3 End Cap
3	1	H-PEND2	1 1/2 X 2 Endcap
4	2	ACCORDIAN	Shaft Guard
5	2	H-BENDCAP	Bullet Cap
6	1	H-RUBRNG	MM5 Ring
7	1	SELECTORPIN-4	Selector Pin
8	1	H-NAMEPLATE	Name Plate
9	1	STAY CLEAR	Stay Clear Decal
10	1	ISO ROW	Product Decal
11	1	H-GRIP(ILROW-C-1)	HandGrip
12	1	H-GRIP(ILROW-C-2)	HandGrip
13	3	H-HPLUG	9/16" Hole Plug

# HAMMER STRENGTH EQUIPMENT

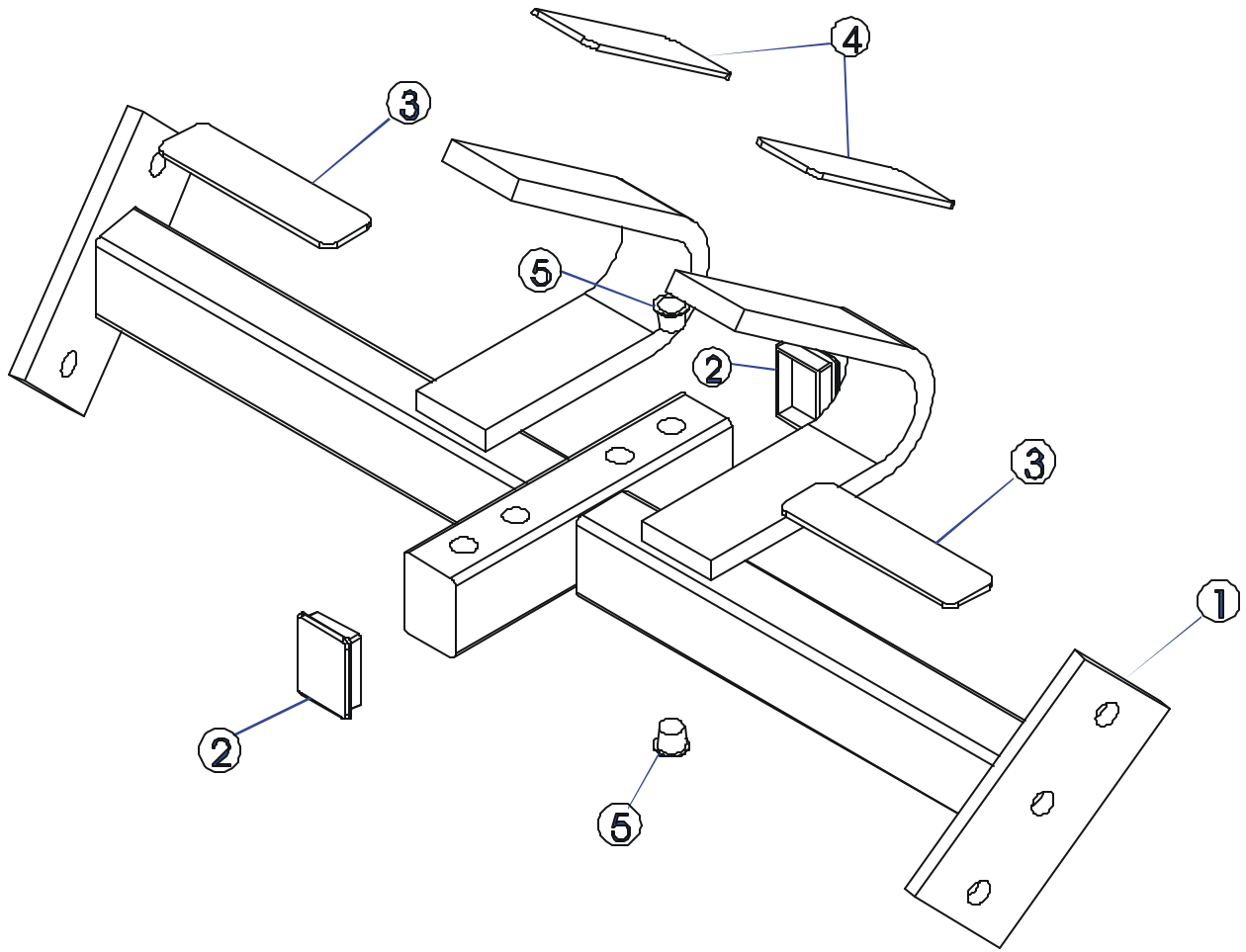
## ILROW - Side Frame



ITEM NO.	QTY.	PART NO.	DESCRIPTION
1	1	ILROW-SFR-0	Right Side Frame
1	1	ILROW-SFL-0	Left Side Frame
2	1	ILROW-WB-0	Workbox
3	1	H-PEND3	1 1/2 X 3 End Cap
4	5	H-HPLUG	9/16" Hole Plug
5	1	STAY CLEAR	Stay Clear Decal
6	5	WASH.5STAR	1/2" Internal Lock Washer
7	3	NUT.5LOCK	1/2" Thick Lock Nut
8	3	H-BACK-WASH	Backing Washer
9	3	HHB.5X3	1/2 X 3 Bolt
10	2	H-BEAR-SML	Small Bearing
11	6	WASH.5SAE	1/2" SAE Flat Washer
12	4	HHB.5X1.5	1/2 X 1 1/2 Bolt
13	6	NUT.5JAMLOCK	1/2" Thin Lock Nut
16	1	H-BUMP-LGE	MM1 Large
17	2	HHB.5X5	1/2 X 5 Bolt

**HAMMER STRENGTH EQUIPMENT**  
**ILROW - Top Frame**

---

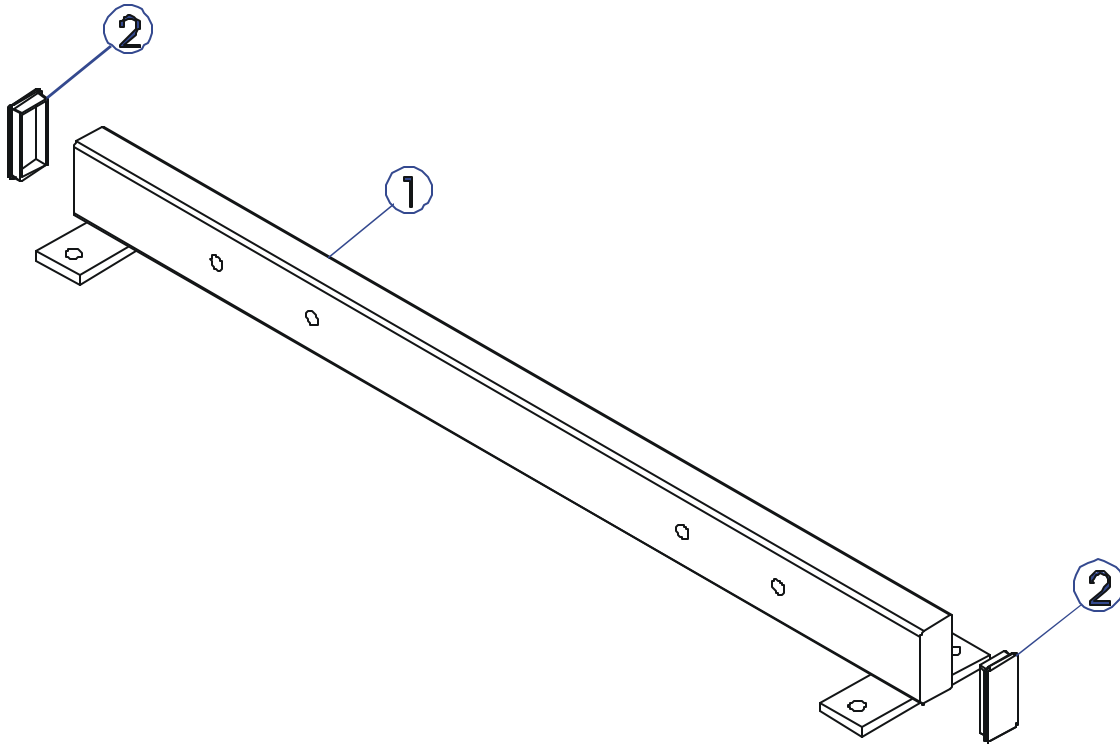


ITEM NO.	QTY.	PART NO.	DESCRIPTION
1	1	ILROW-TX-0	Top Frame Assembly
2	2	H-PEND2	1 1/2 X 2 Endcap
3	2	H-PLATE-G1	Small Plate Guard
4	2	H-PLATE-G2(CUT)	Medium Plate Guard
5	2	H-HPLUG	9/16" Hole Plug

# HAMMER STRENGTH EQUIPMENT

## ILROW - Front Assembly

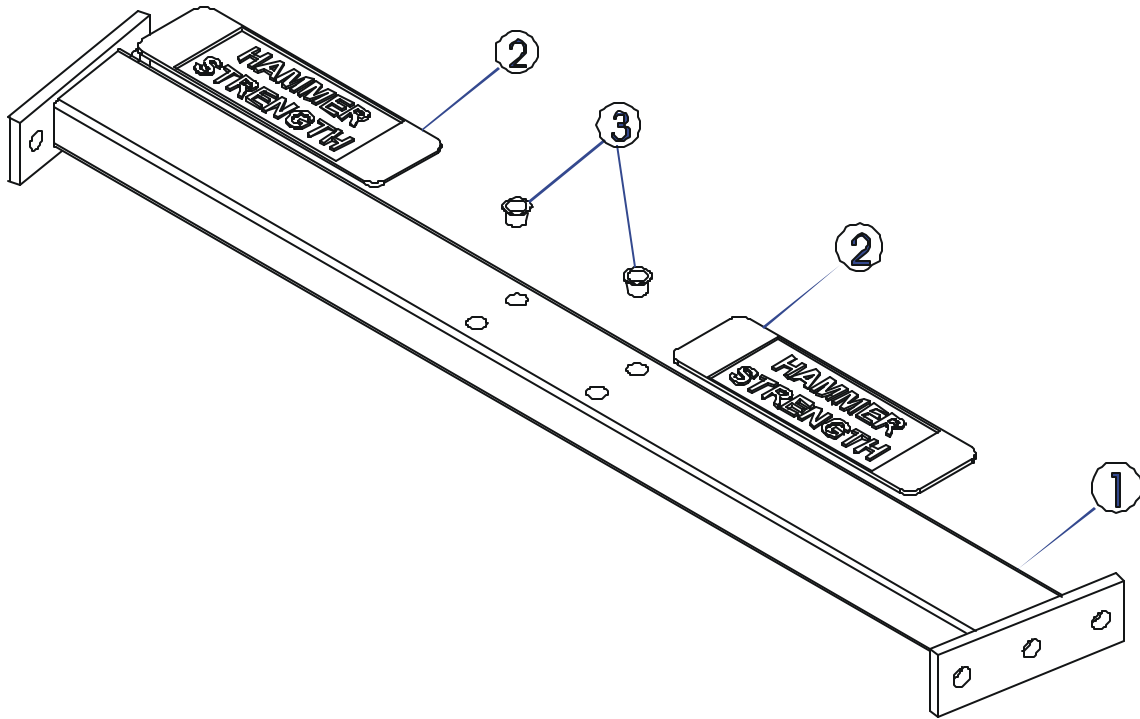
---



ITEM NO.	QTY.	PART NO.	DESCRIPTION
1	1	ILROW-FX-0	Front Frame
2	2	H-PEND3	1 1/2 X 3 End Cap

**HAMMER STRENGTH EQUIPMENT**  
**ILROW - Back Frame Assembly**

---



ITEM NO.	QTY.	PART NO.	DESCRIPTION
1	1	ILROW-BX-0	Back Frame
2	2	H-NONSKID3	2 5/8 X 9 Nonskid
3	2	H-HPLUG	9/16" Hole Plug