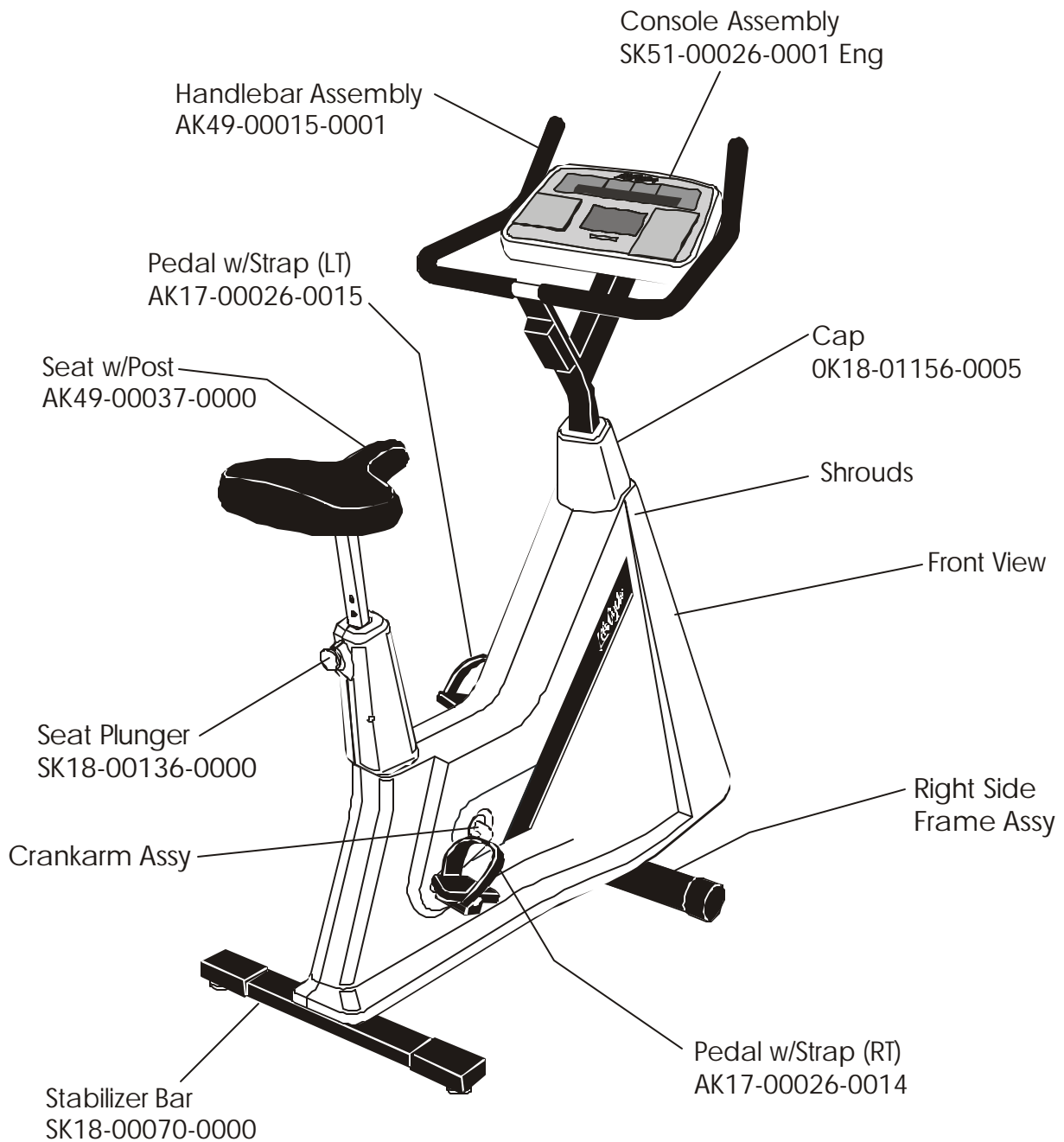


# Life Cycle LC9100 - LC91-0100-10

## General Assembly

---

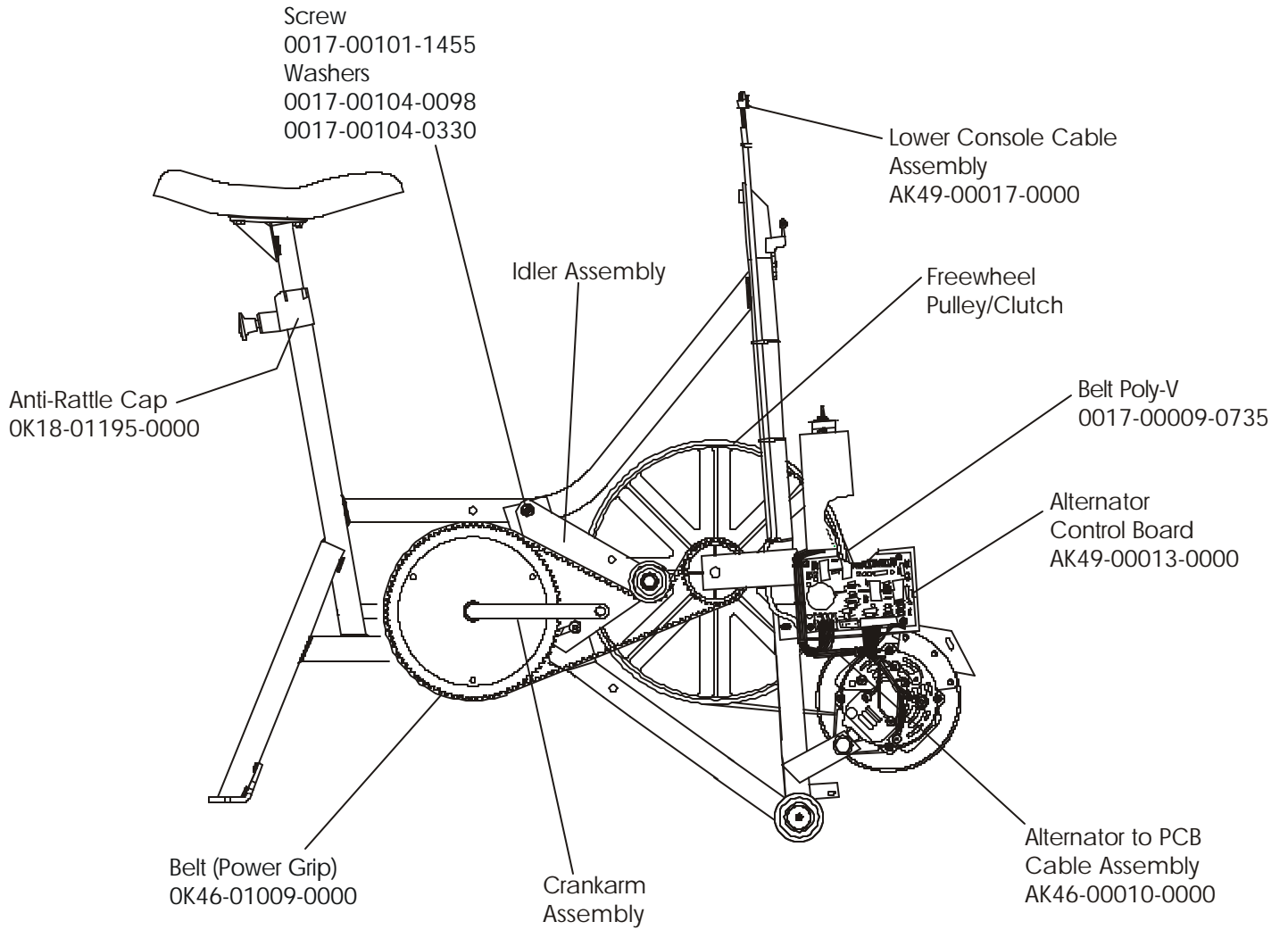


NOTE: Installation Instructions MO51-00K49-A006,  
Operator Manual M051-00K20-B106  
Service Manual M051-00K49-A012  
Install Hardware AK49-00025-0000

# Life Cycle LC9100 - LC91-0100-10

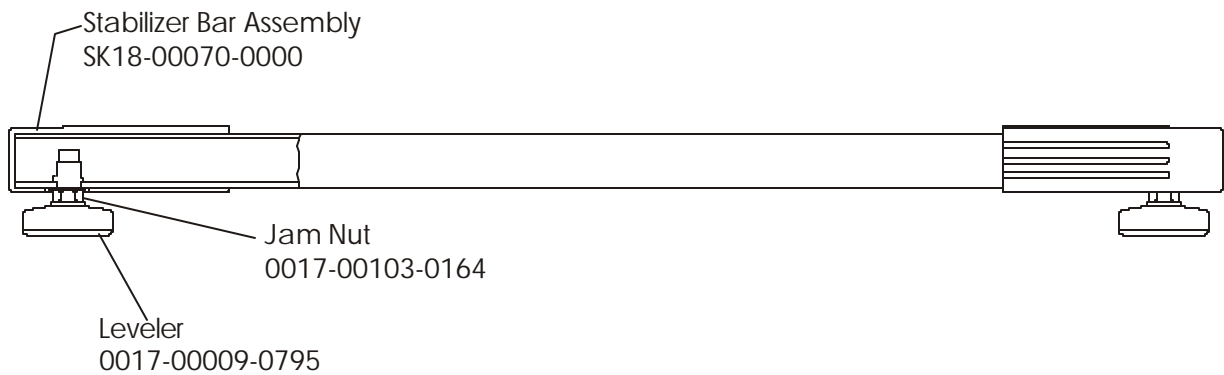
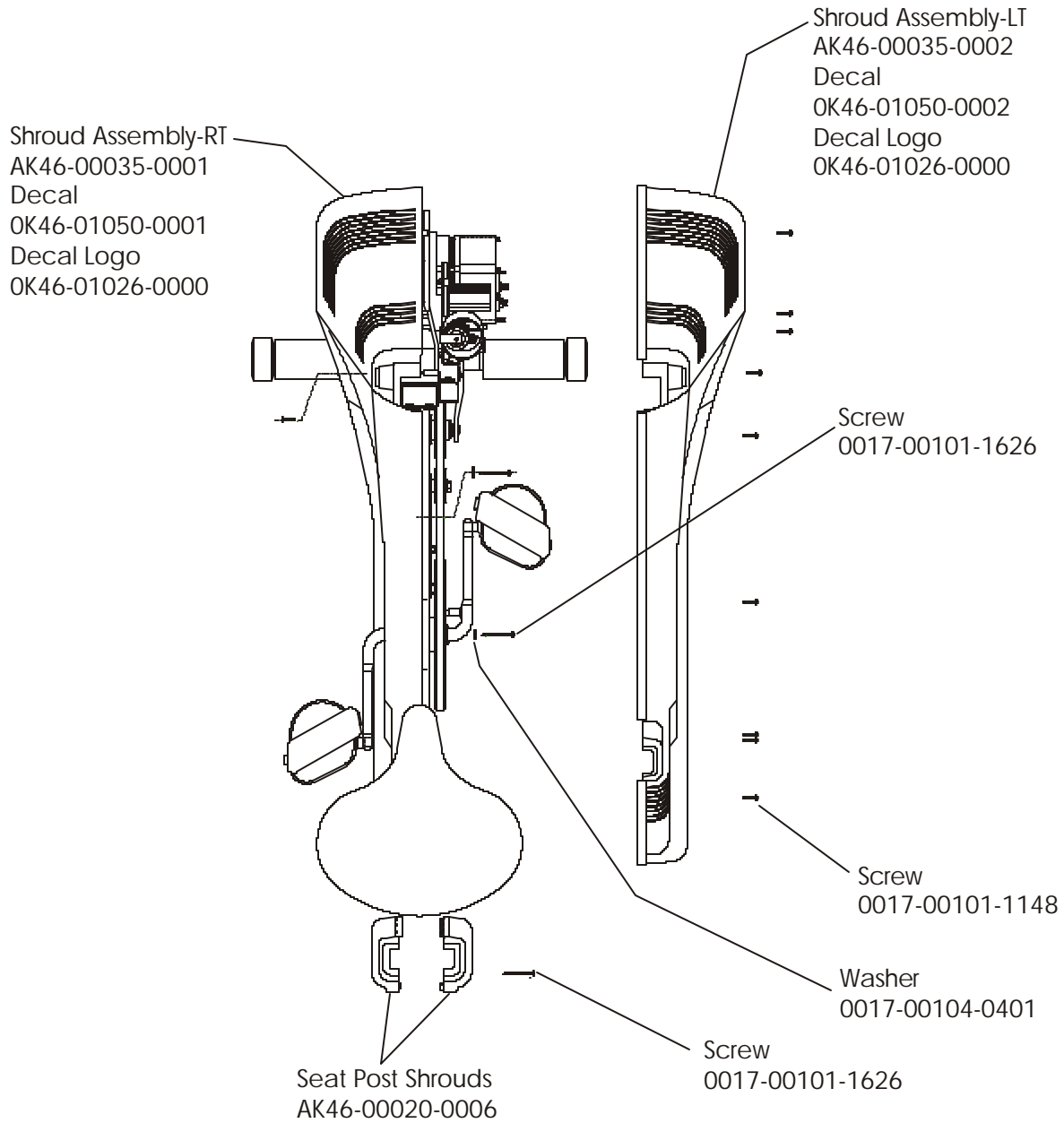
## Right Side Frame

---



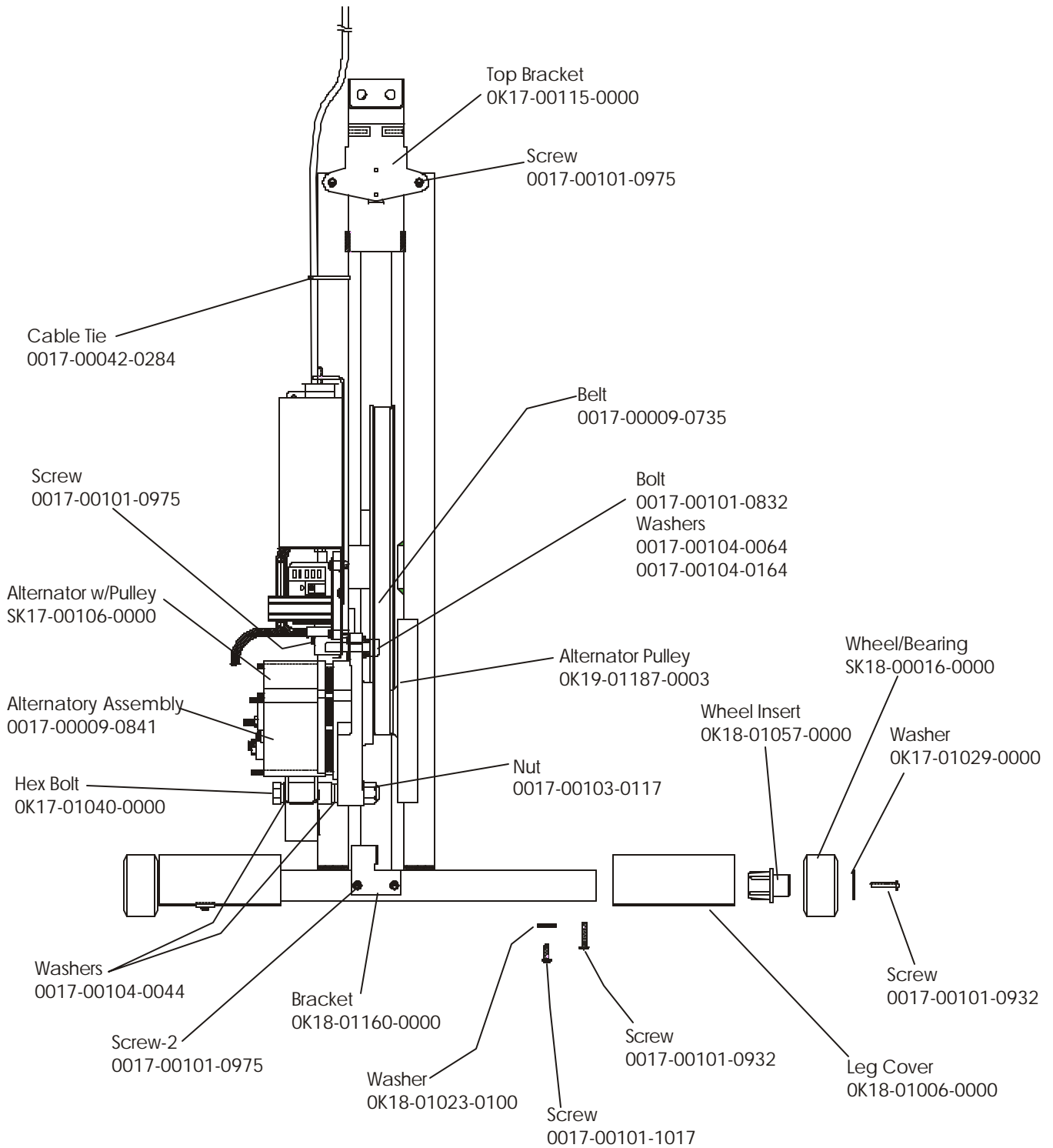
# Life Cycle LC9100 - LC91-0100-10

## Shrouds and Side Covers



# Life Cycle LC9100 - LC91-0100-10

## Front View

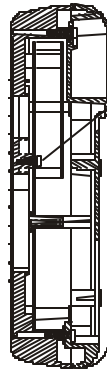


# Life Cycle LC9100 - LC91-0100-10

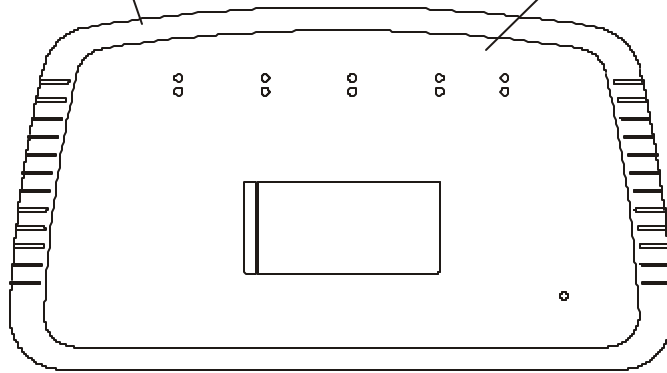
## Console Assembly

Console Assembly  
 SK51-00026-0001 Eng/Met  
 AK51-00026-0003 Ger/Eur  
 AK51-00026-0004 Spn/Eur  
 AK51-00026-0006 Eng  
 AK51-00026-0007 Frn/Eur  
 AK51-00026-0008-Itl/Eur  
 AK51-00026-0009 Dut/Eur

Screw  
 0017-0010-1250

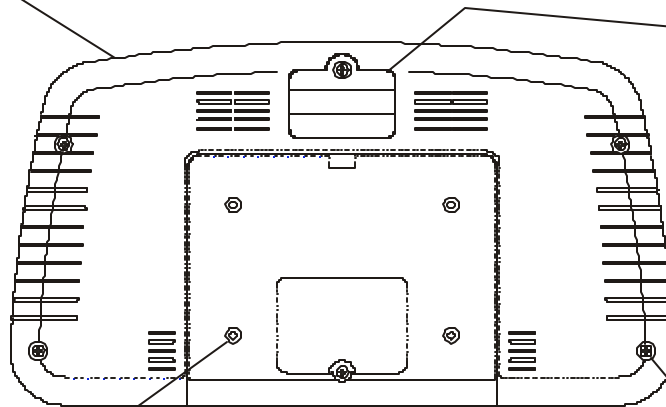


Overlay Bezel  
 AK49-00038-0001 Eng/Met  
 AK49-00038-0003 Ger/Eur  
 AK49-00038-0004 Spn/Eur  
 AK49-00038-0006 Eng  
 AK49-00038-0007 Frn/Eur  
 AK49-00038-0008 Itl/Eur  
 AK49-00038-0009 Dut/Eur



Console Case (Grey)  
 OK36-01187-0006

Battery Cover  
 OK36-01035-0006

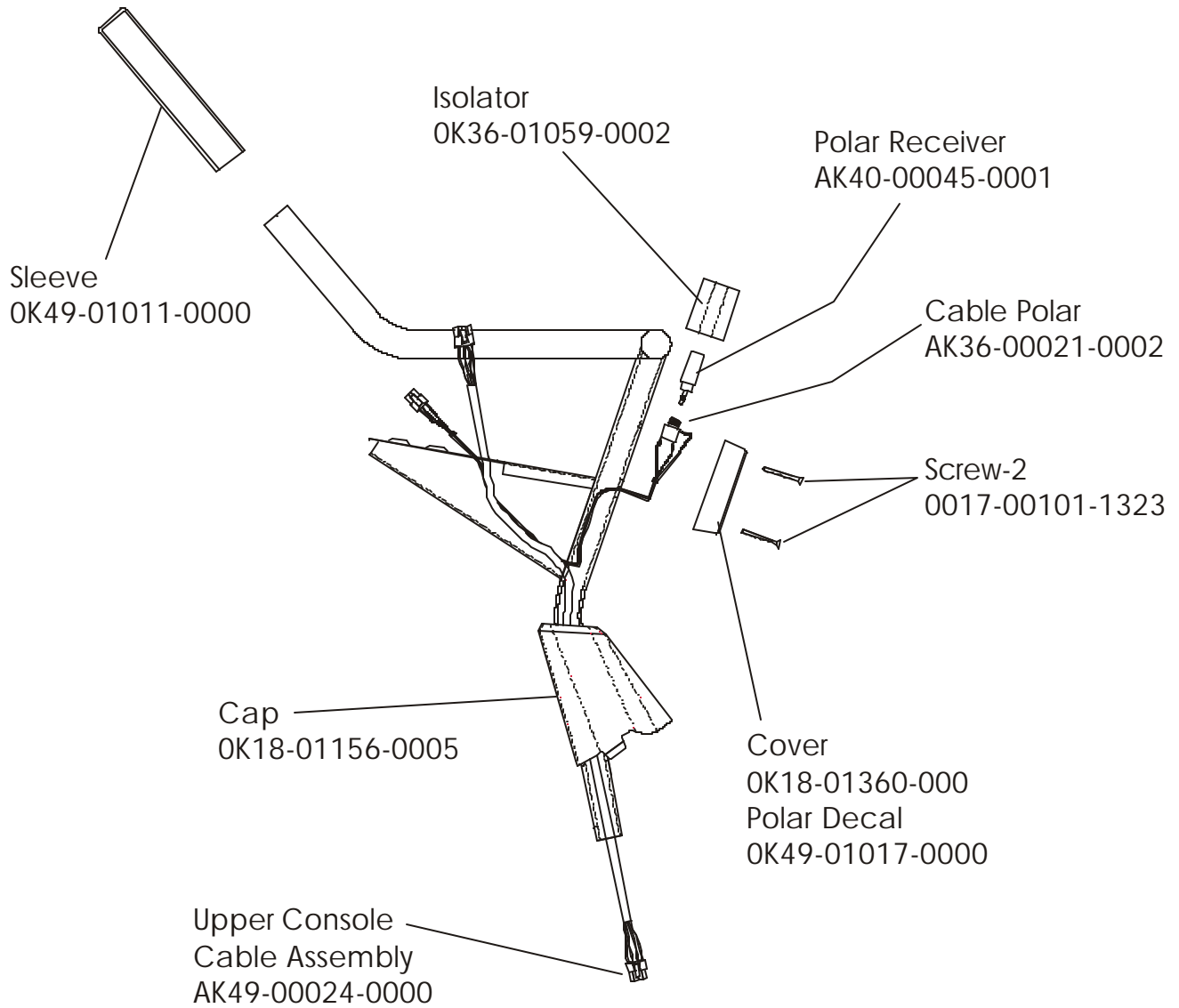


Screw  
 0017-00101-1104

SCREW-6  
 0017-00101-0823

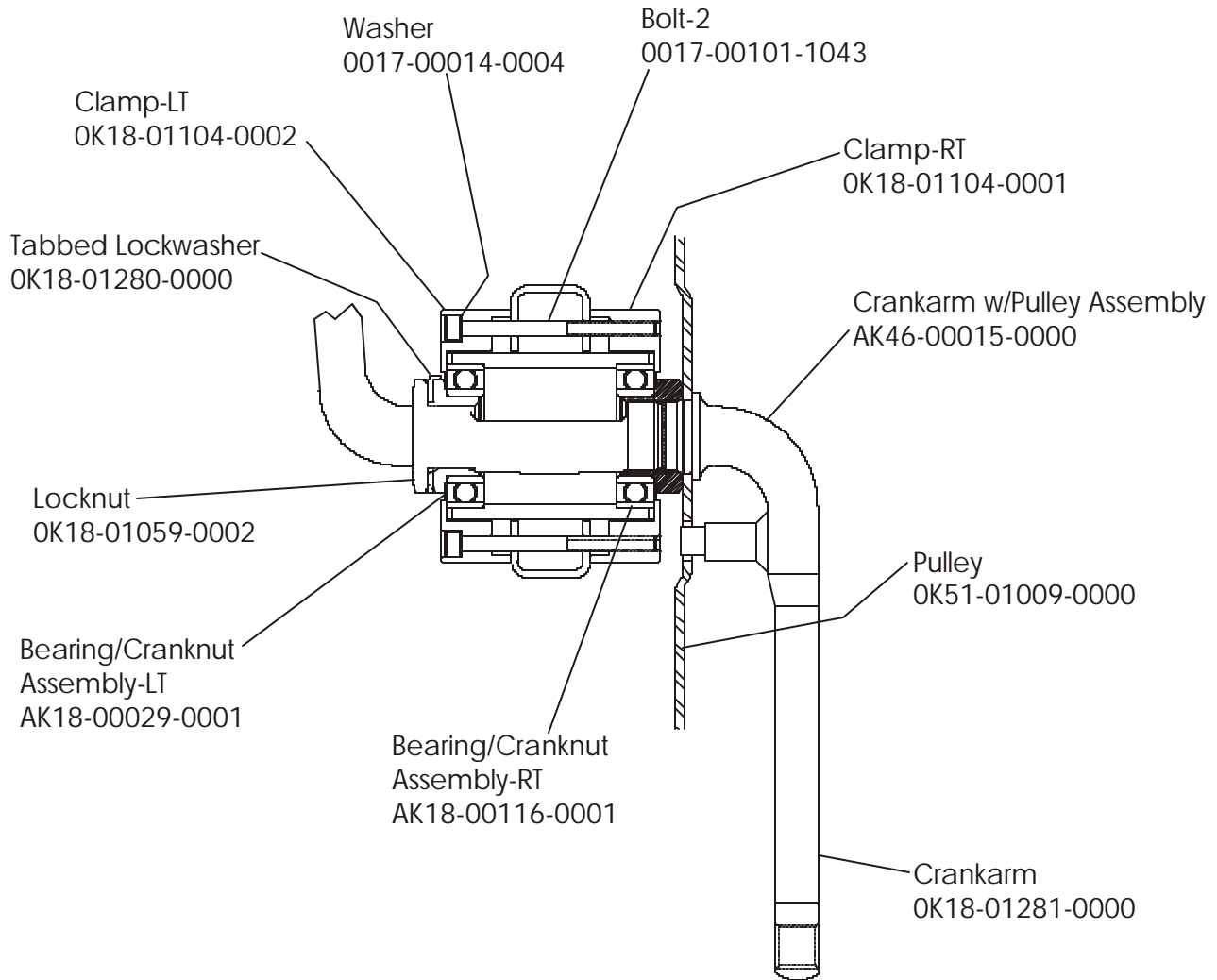
**Life Cycle LC9100 - LC91-0100-10**  
**Handlebar Assembly - AK49-00015-0001**

---



# Life Cycle LC9100 - LC91-0100-10 Crankarm Assembly

---

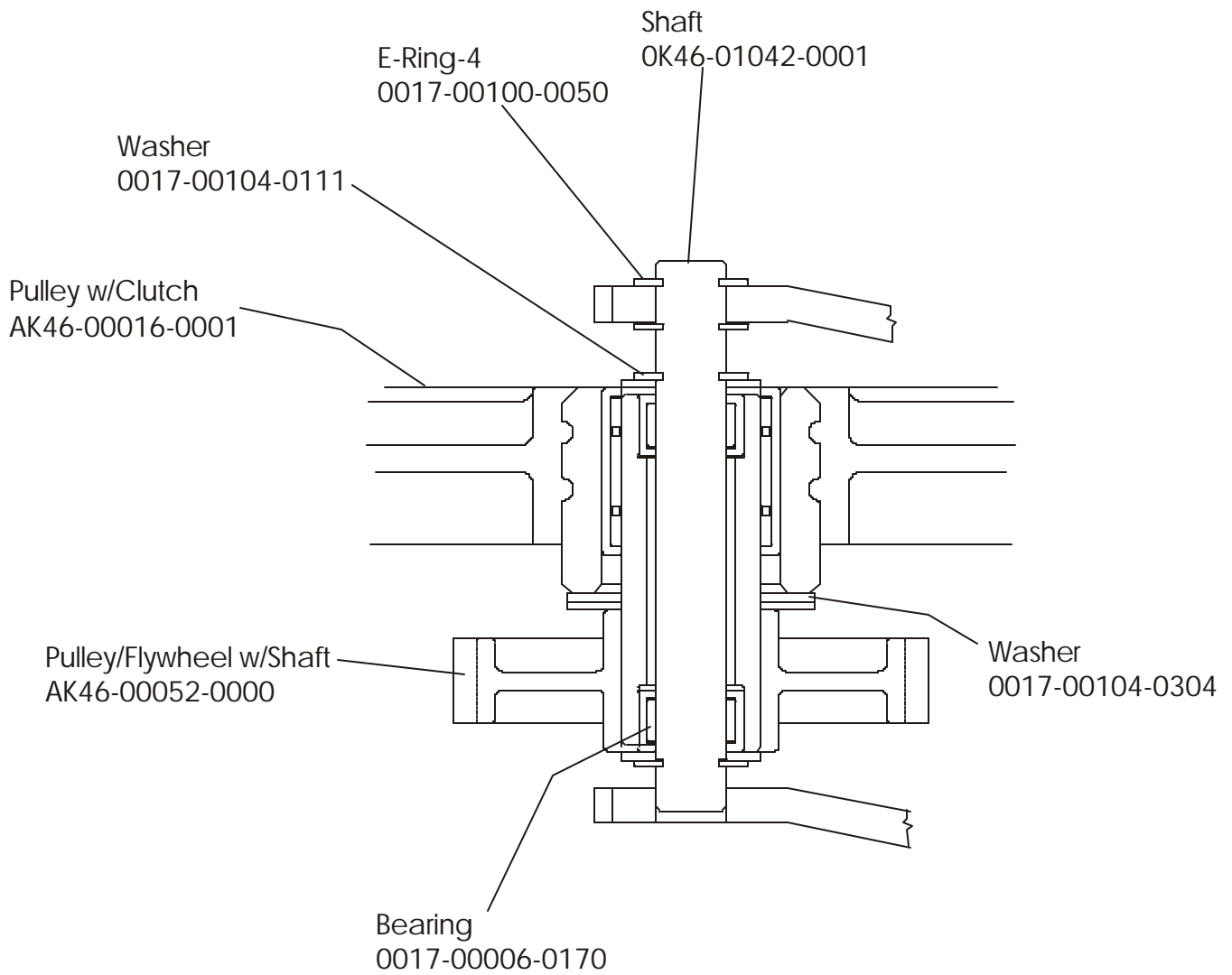


**NOTE: For complete Crankarm Bearing Kit order GK18-00004-0023**

# Life Cycle LC9100 - LC91-0100-10

## Freewheel Pulley/Clutch Assembly

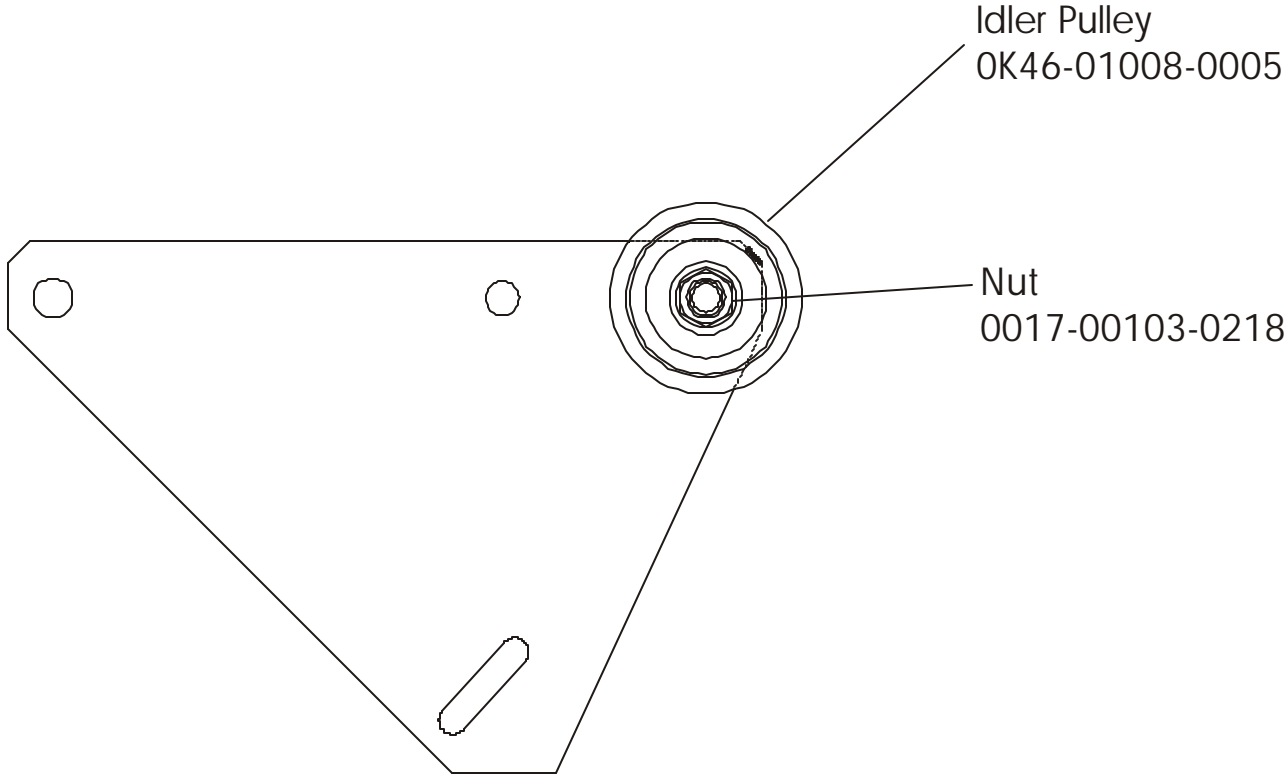
---





**Life Cycle LC9100 - LC91-0100-10**  
**Idler Arm Assembly**

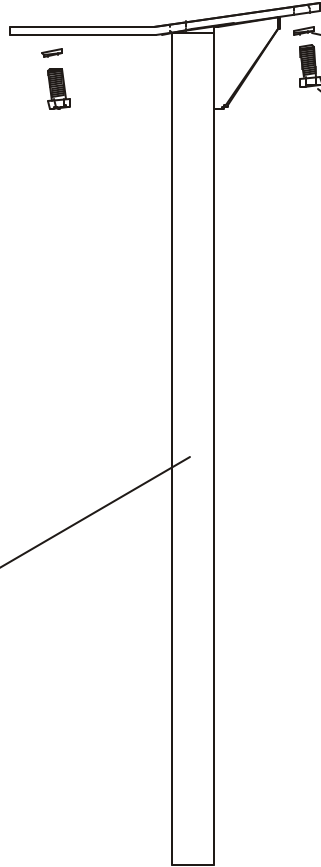
---



**Life Cycle LC9100 - LC91-0100-10**  
**Seat/Seat Post Assembly - AK49-00037-0000**

---

Seat  
OK63-01059-0000



Lock Washer-2  
0017-00104-0064

Bolt  
0017-00101-1121

Seat Post  
AK52-00033-0000

Snap Button Spring  
OK18-01287-0000



Seat Post Plug  
OK18-01149-000

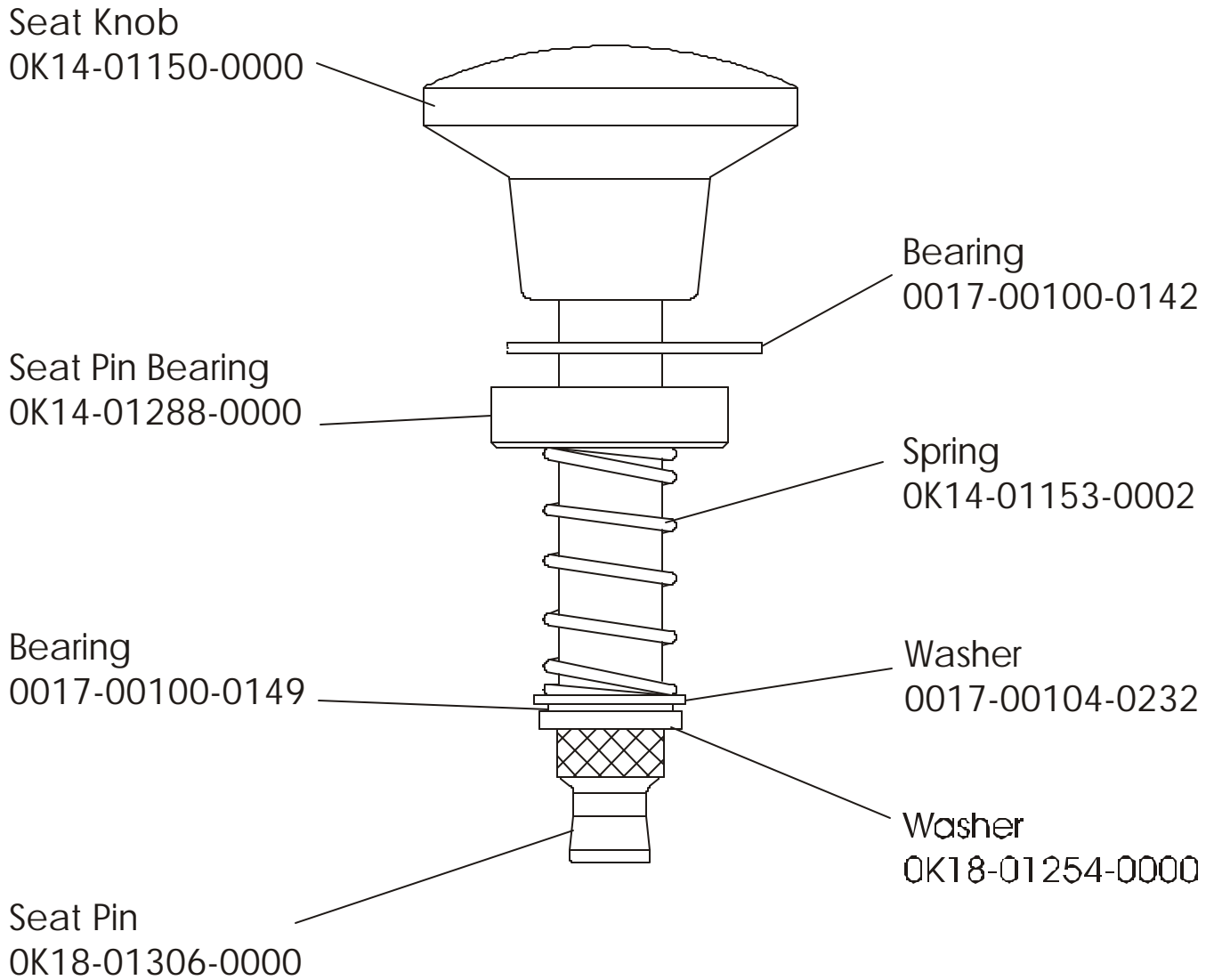


Screw  
0017-00101-0824



**Life Cycle LC9100 - LC91-0100-10**  
**Seat Plunger Assembly - SK18-00136-0000**

---



**Life Cycle LC9100 - LC91-0100-10**  
**Alternator Control Board - AK49-00013-0000**

---

