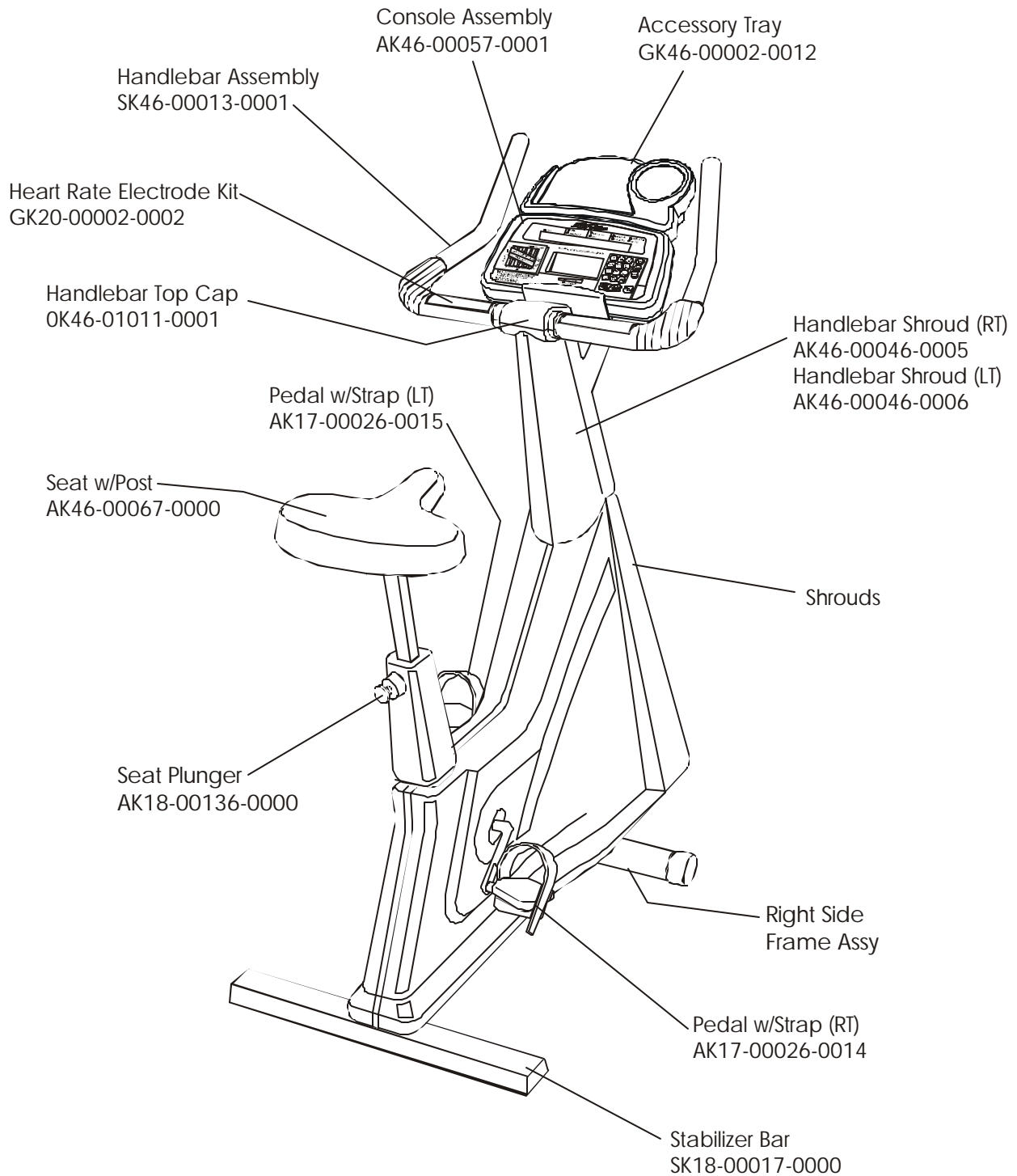


Life Cycle LC9500HR - LC95-0XXX-11

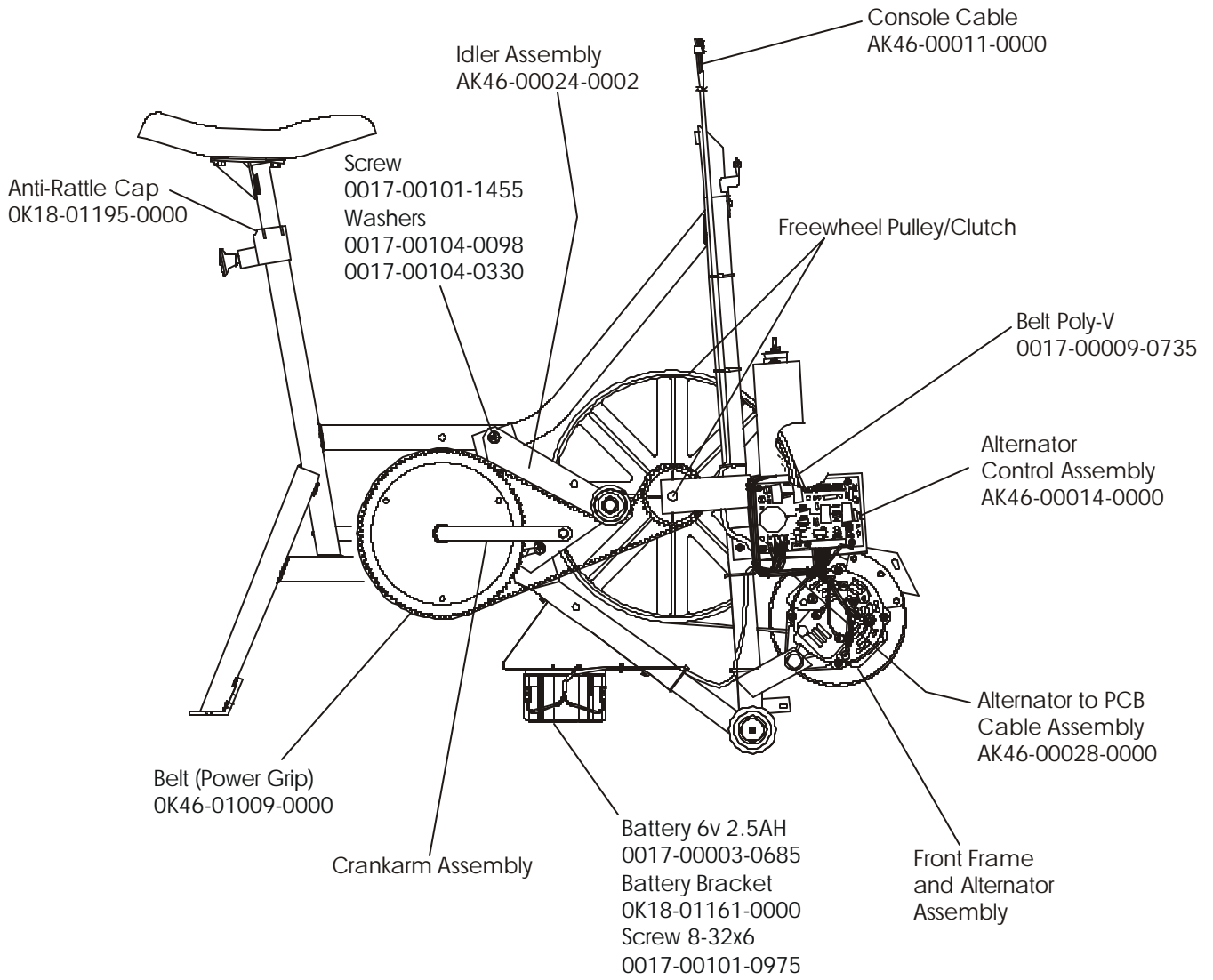
General Assembly



NOTE: Installation Instructions M051-00K20-A287,
Operator Manual M051-00K20-B125,
Service Manual M051-00K46-B004,
and Hardware Kit AK46-00065-0000.

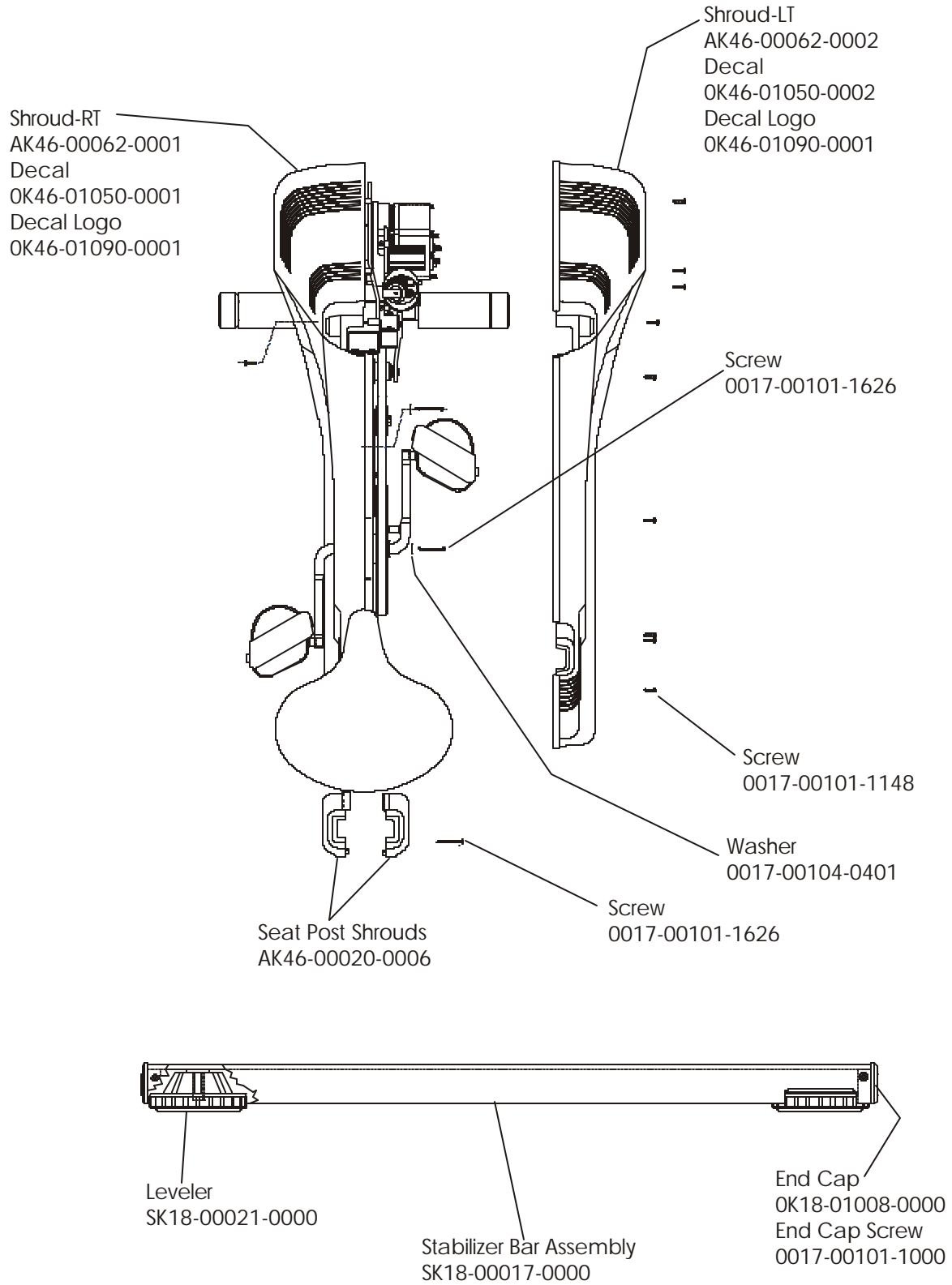
Life Cycle LC9500HR - LC95-0XXX-11

Right Side Frame



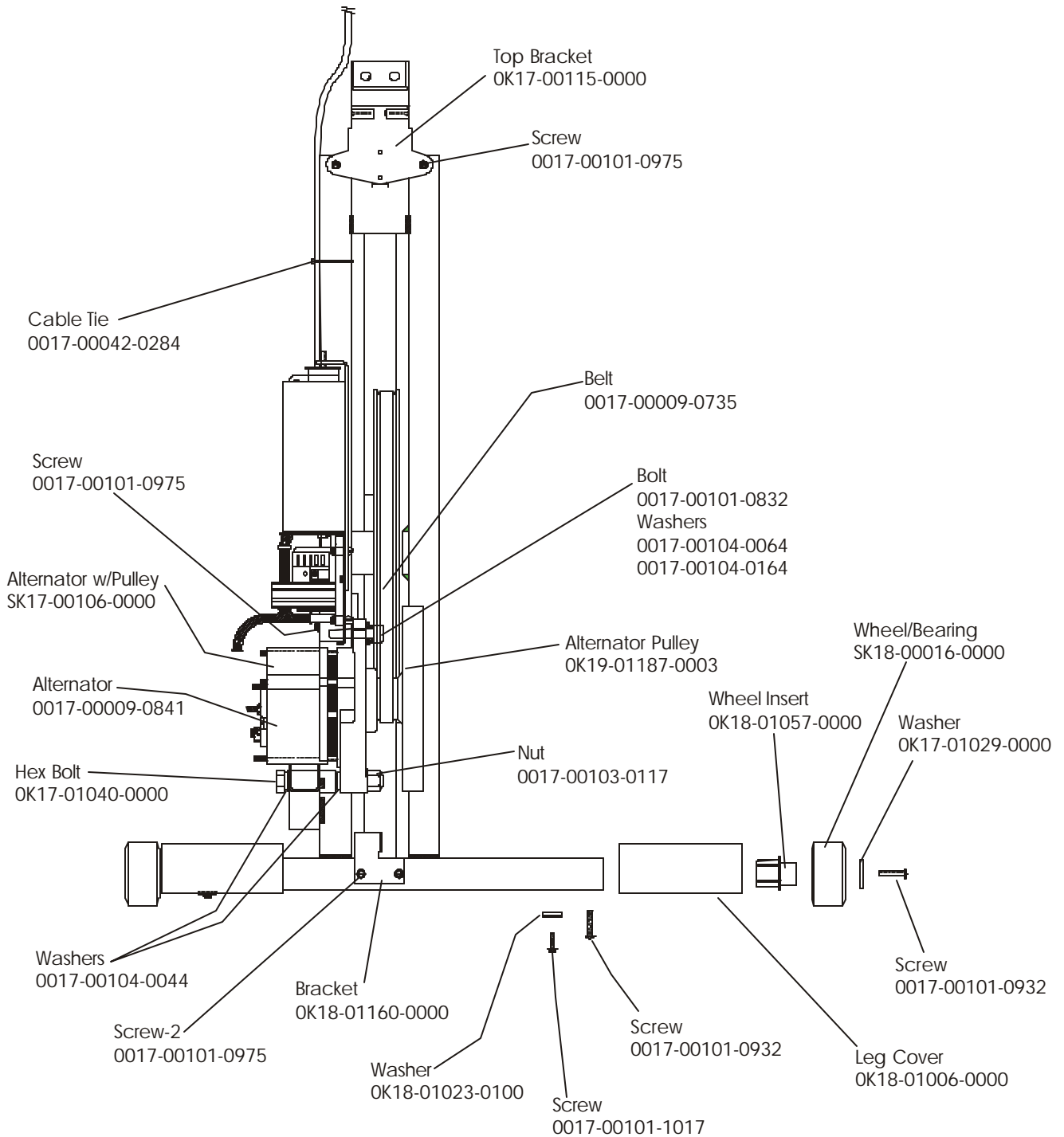
Life Cycle LC9500HR - LC95-0XXX-11

Shrouds/Stabilizer Bar



Life Cycle LC9500HR - LC95-0XXX-11

Front Frame Assembly

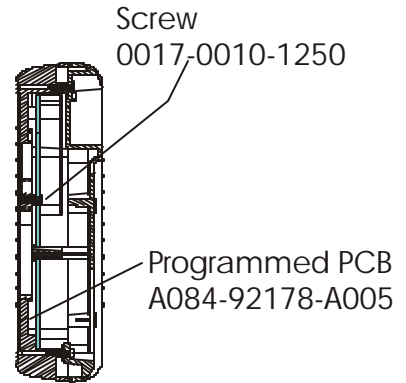
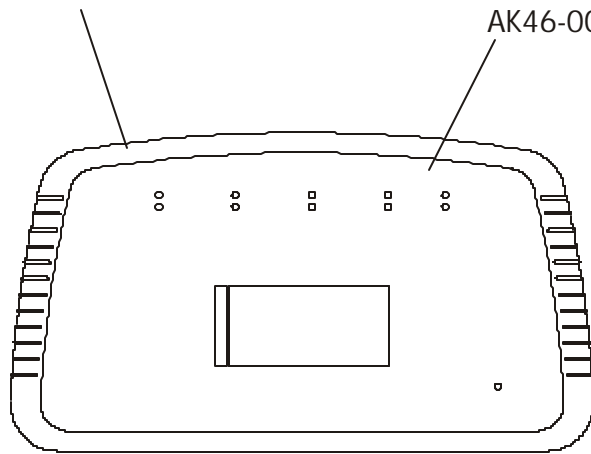


Life Cycle LC9500HR - LC95-0XXX-11

Console Assembly

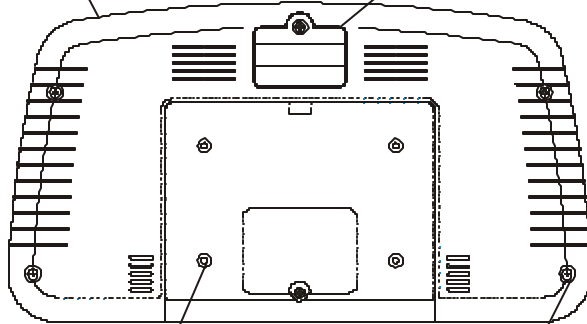
Console Assembly
 AK46-00057-0001 Eng/Met
 AK46-00057-0003 Ger/Eur
 AK46-00057-0004 Spn/Eur
 AK46-00057-0004 Spn/MET
 AK46-00057-0006 Eng
 AK46-00057-0007 Frn/Eur
 AK46-00057-0008 Itl/Eur
 AK46-00057-0009 Dut/Eur
 AK46-00057-0010 Frn
 AK46-00057-0011 Por

Overlay Bezel Assembly
 AK46-00058-0001 Eng/Met
 AK46-00058-0003 Ger/Eur
 AK46-00058-0004 Spn/Eur
 AK46-00058-0005 Spn
 AK46-00058-0006 Eng
 AK46-00058-0007 Frn/Eur
 AK46-00058-0008 Itl/Eur
 AK46-00058-0009 Dut/Eur
 AK46-00058-0010 Frn
 AK46-00058-0011 Por



Console Case (Grey)
 OK36-01187-0009

Battery Cover
 OK36-01035-0007



Screw
 0017-00101-1104

Screw
 0017-00101-0823

Life Cycle LC9500HR - LC95-0XXX-11
Accessory Tray

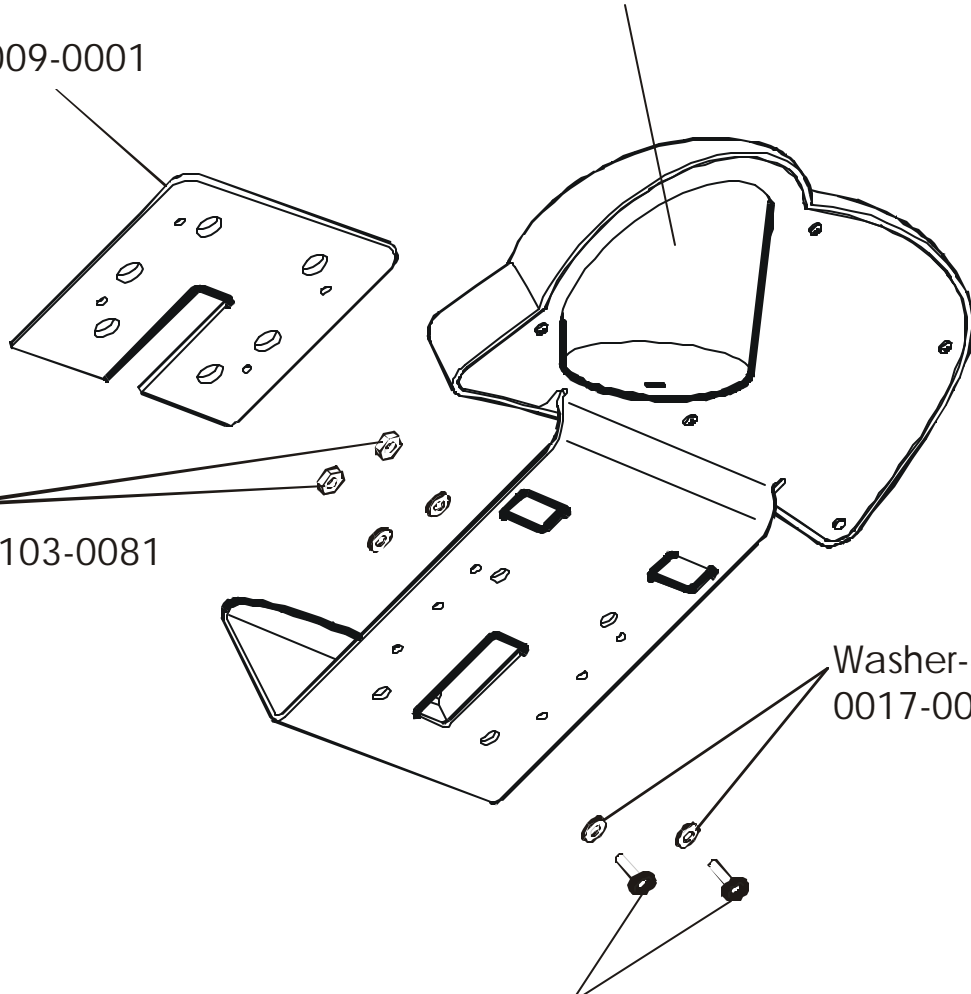
Tray Kit
GK46-00002-0012

Spacer
OK61-05009-0001

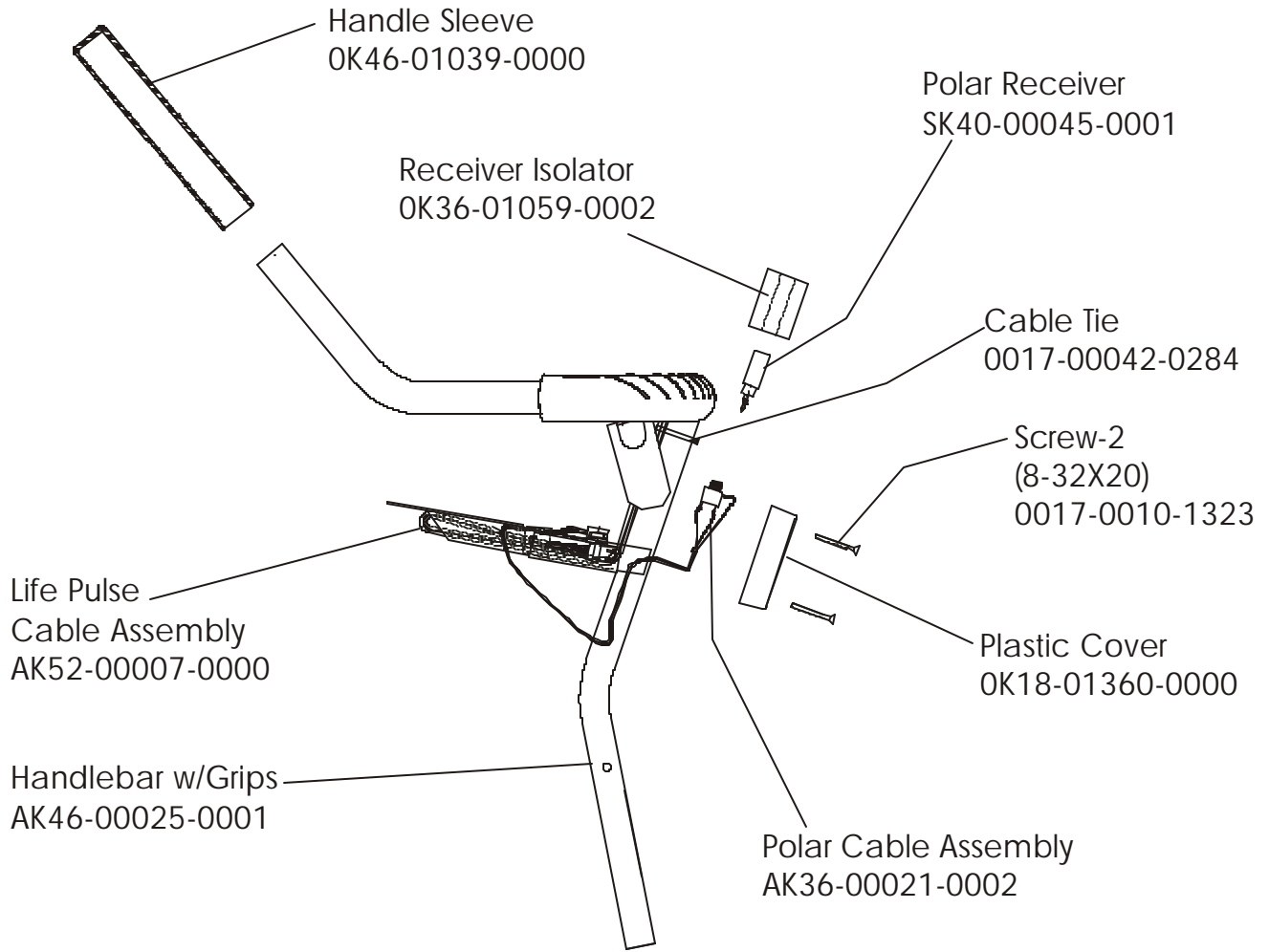
Nut-2
0017-00103-0081

Washer-4
0017-00104-0168

Screw-2
0017-00101-1288

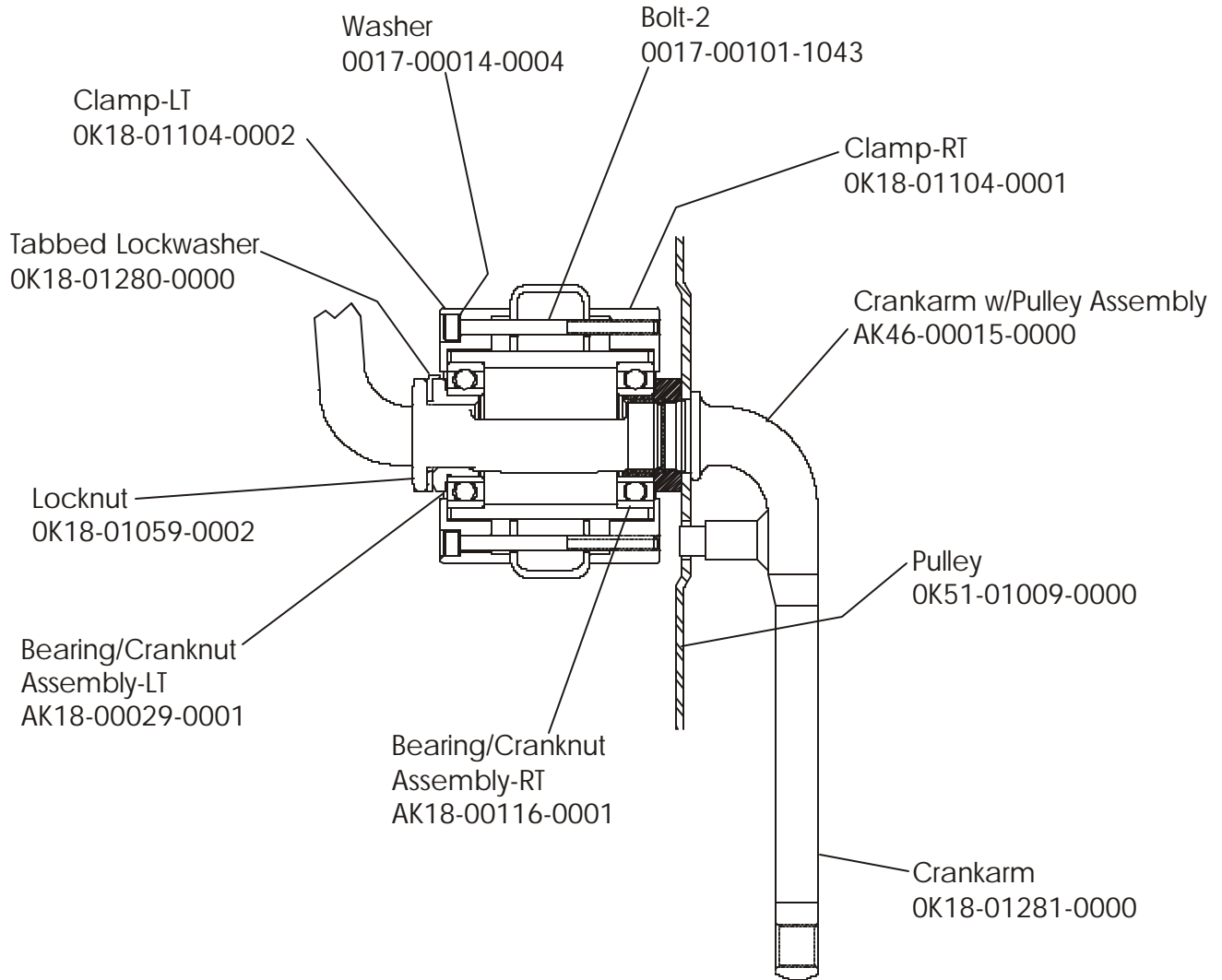


Life Cycle LC9500HR - LC95-0XXX-11 Handlebar Assembly



Life Cycle LC9500HR - LC95-0XXX-11

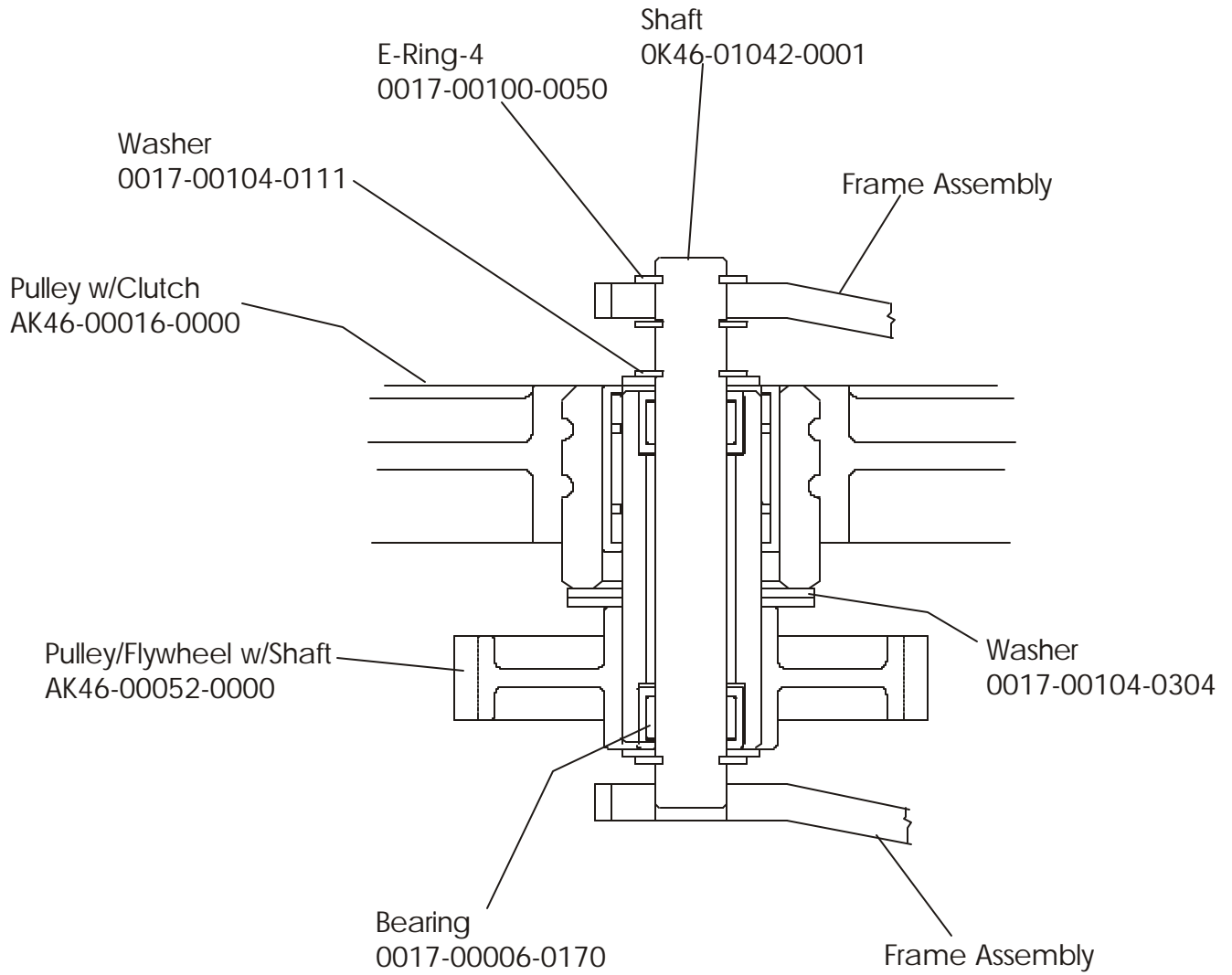
Crankarm Assembly



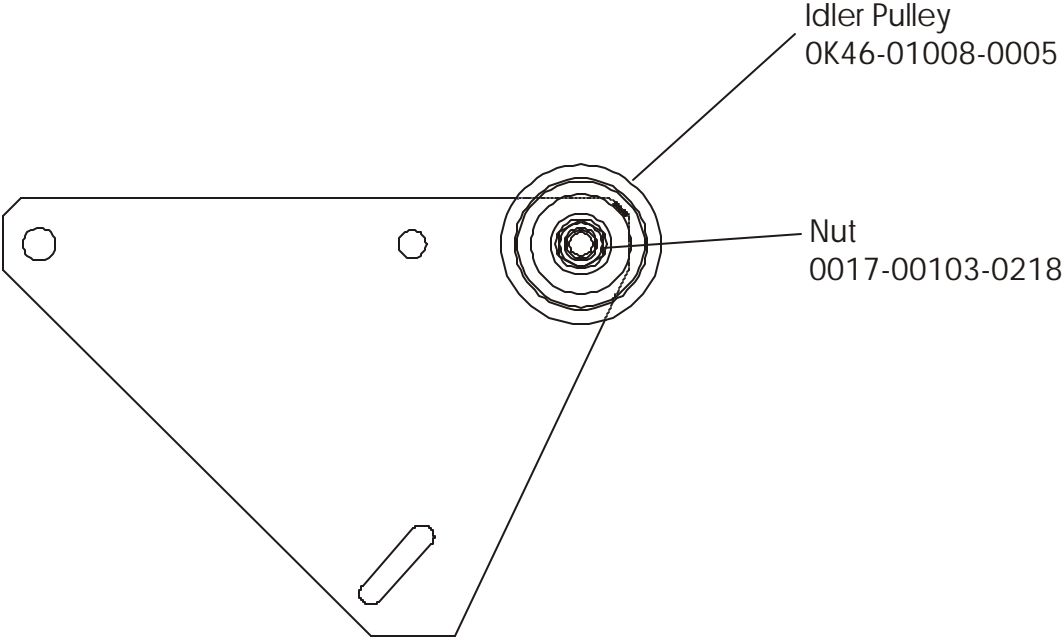
Note: Bearing Kit Number GK18-00004-0023

Life Cycle LC9500HR - LC95-0XXX-11

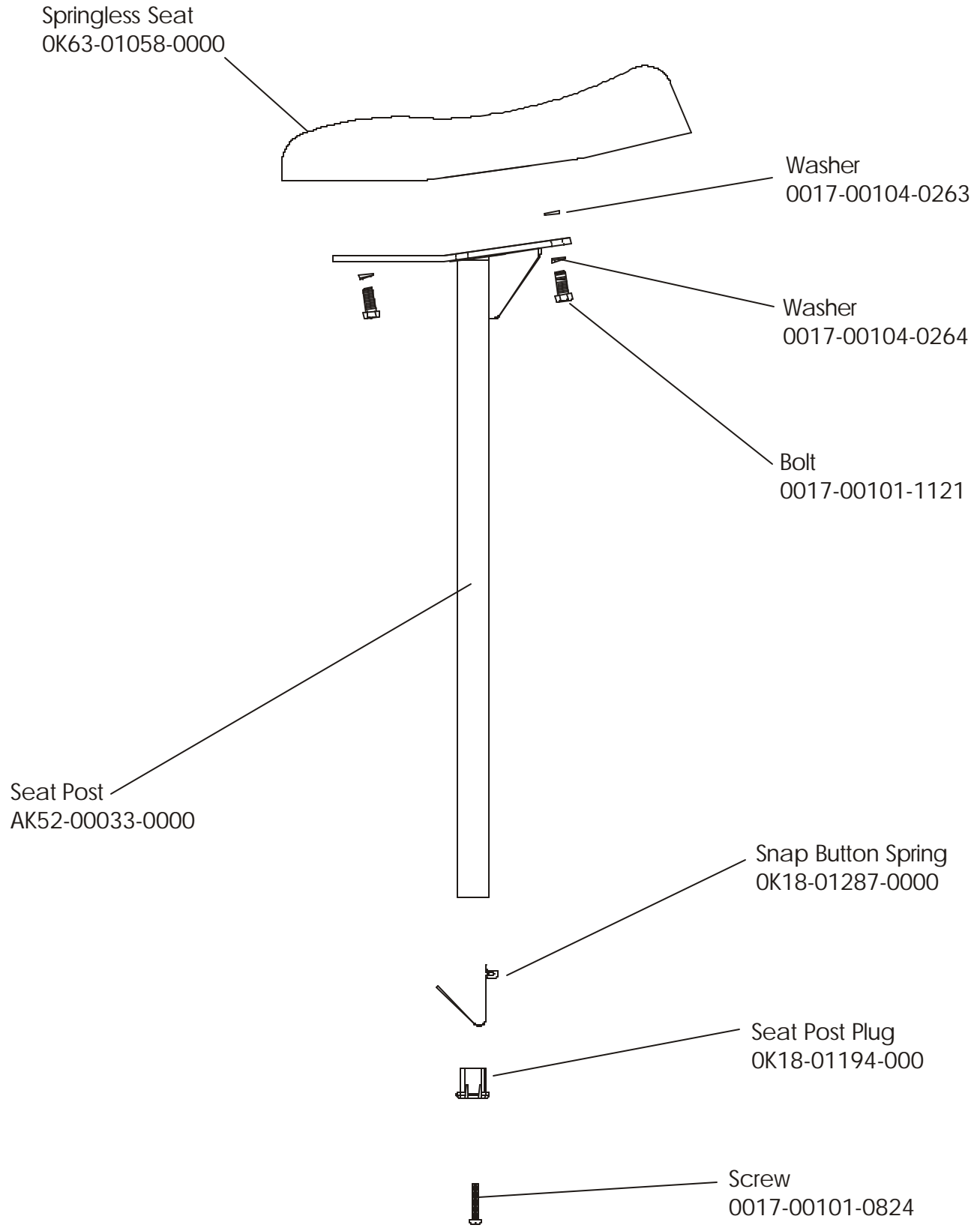
Freewheel Pulley/Clutch Assembly



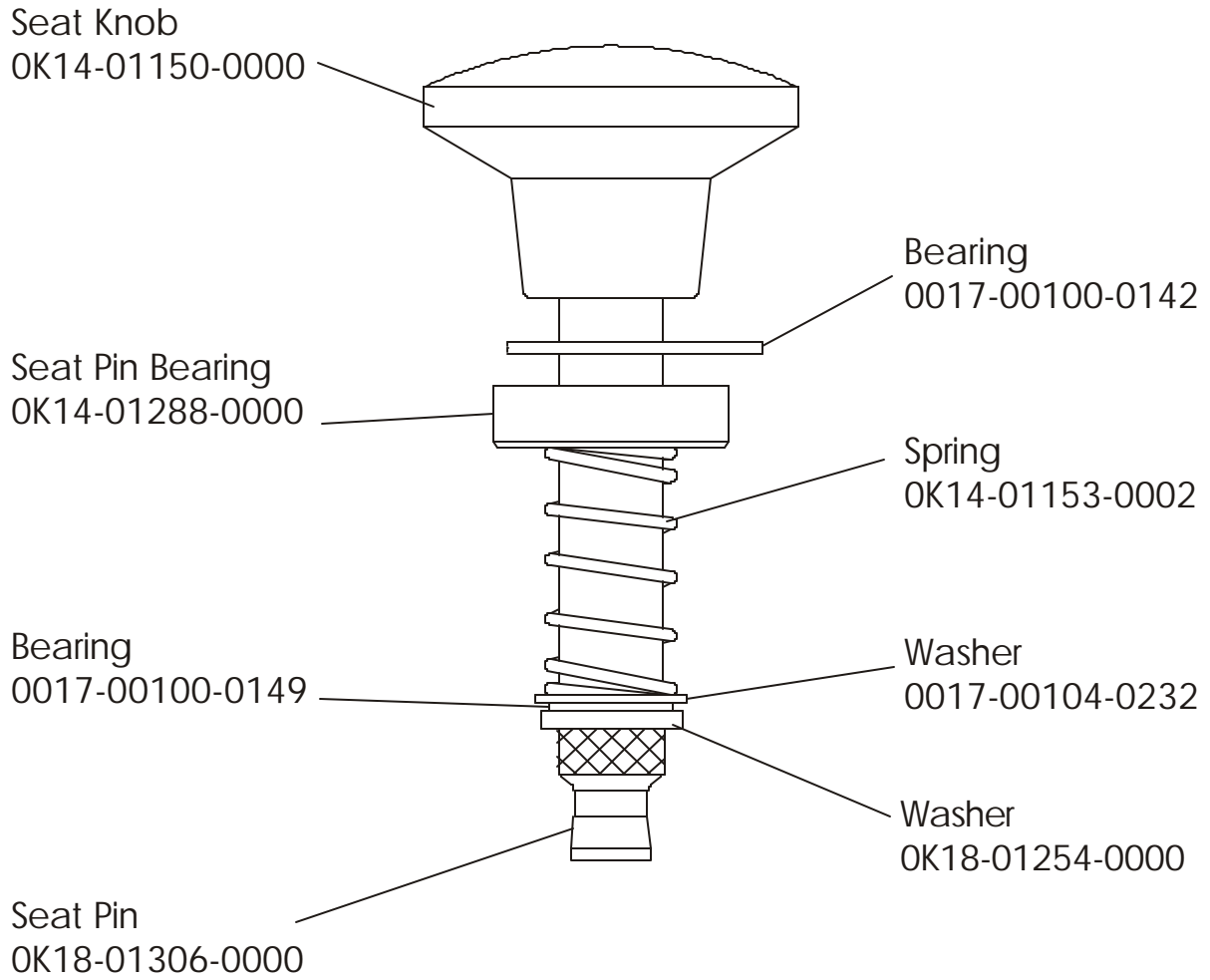
Life Cycle LC9500HR - LC95-0XXX-11
Idler Arm Assembly - AK46-00024-0002



Life Cycle LC9500HR - LC95-0XXX-11
Seat/Seat Post Assembly - AK46-00067-0000



Life Cycle LC9500HR - LC95-0XXX-11
Seat Plunger Assembly - SK18-00136-0000



Life Cycle LC9500HR - LC95-0XXX-11
Alternator Control Assembly - AK46-00014-0000

