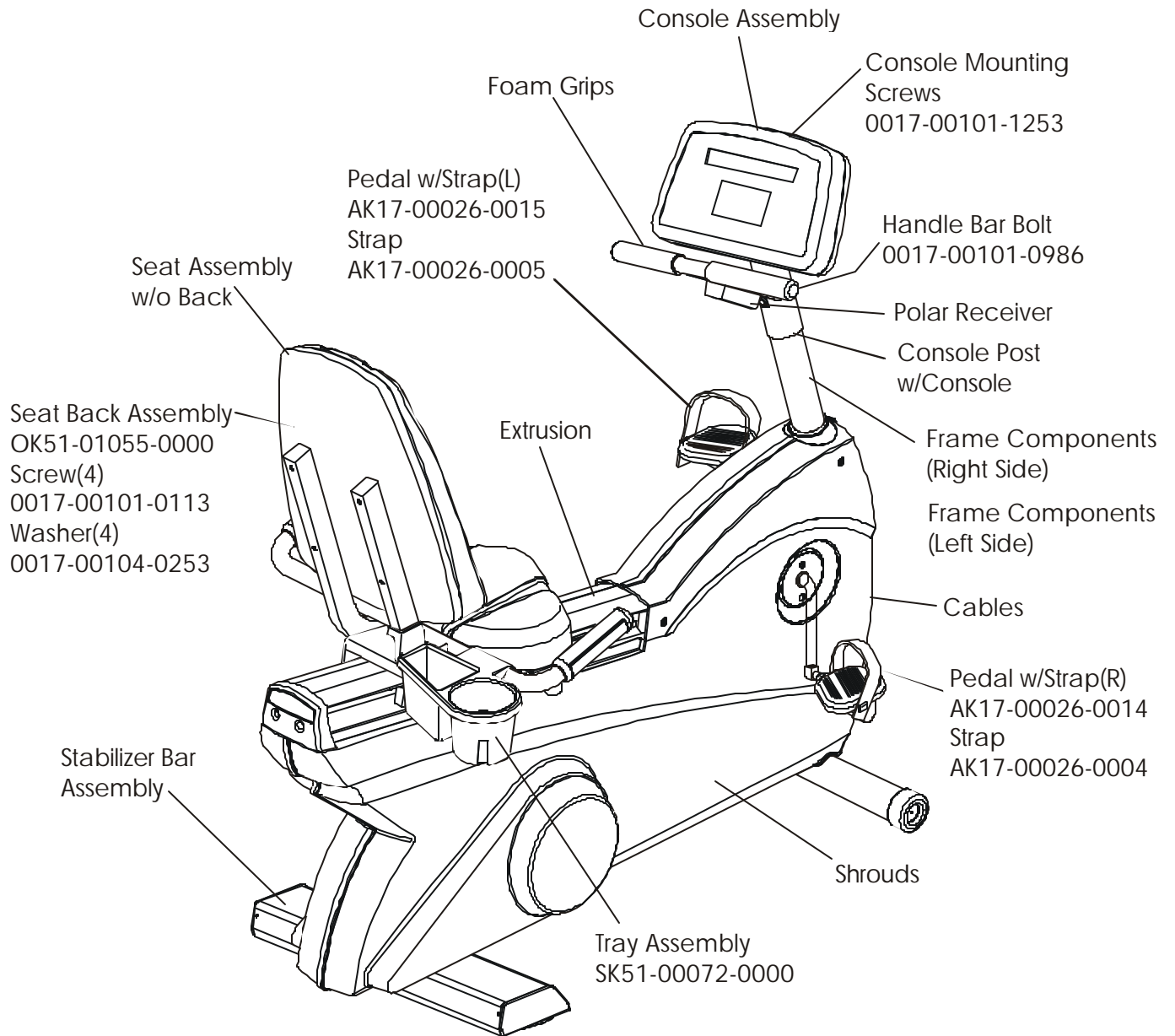


**LC95 Recumbent
General Assembly**

LC95-0100-29

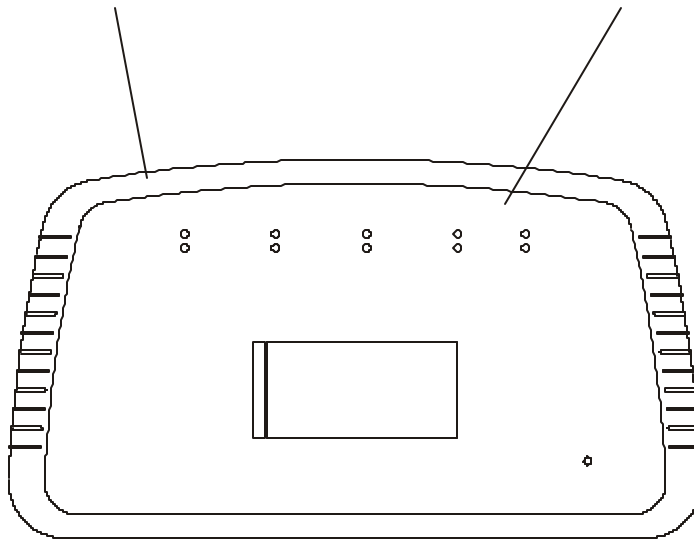


Display Console

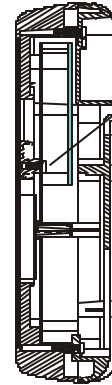
- SK51-00087-0001(R) Eng/Met
- SK51-00087-0003 Ger/Met
- AK51-00087-0004 Spn/Eur
- AK51-00087-0005 Spn/Met
- AK51-00087-0006 Jap/Met
- AK51-00087-0007 Frn/Eur
- AK51-00087-0008 Itl/Met
- AK51-00087-0009 Dut/Met
- AK51-00087-0010 Frn/Met

Overlay Bezel

- SK51-00093-0001Eng/Met
- AK51-00093-0003 Ger/Met
- AK51-00093-0004 Spn/Eur
- AK51-00093-0005 Spn/Met
- AK51-00093-0007 Frn/Eur
- AK51-00093-0008 Itl/Met
- AK51-00093-0009 Dut/Met
- AK51-00093-0010 Frn/Met



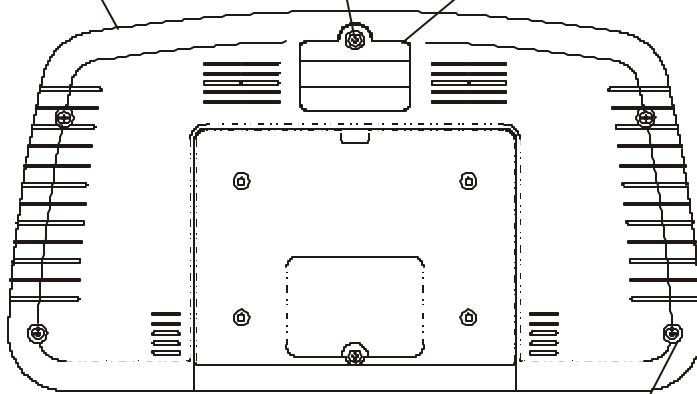
Screw(4)
0017-00101-1250



Console Case (Black)
OK36-01187-0008

Screw
0017-00101-0393

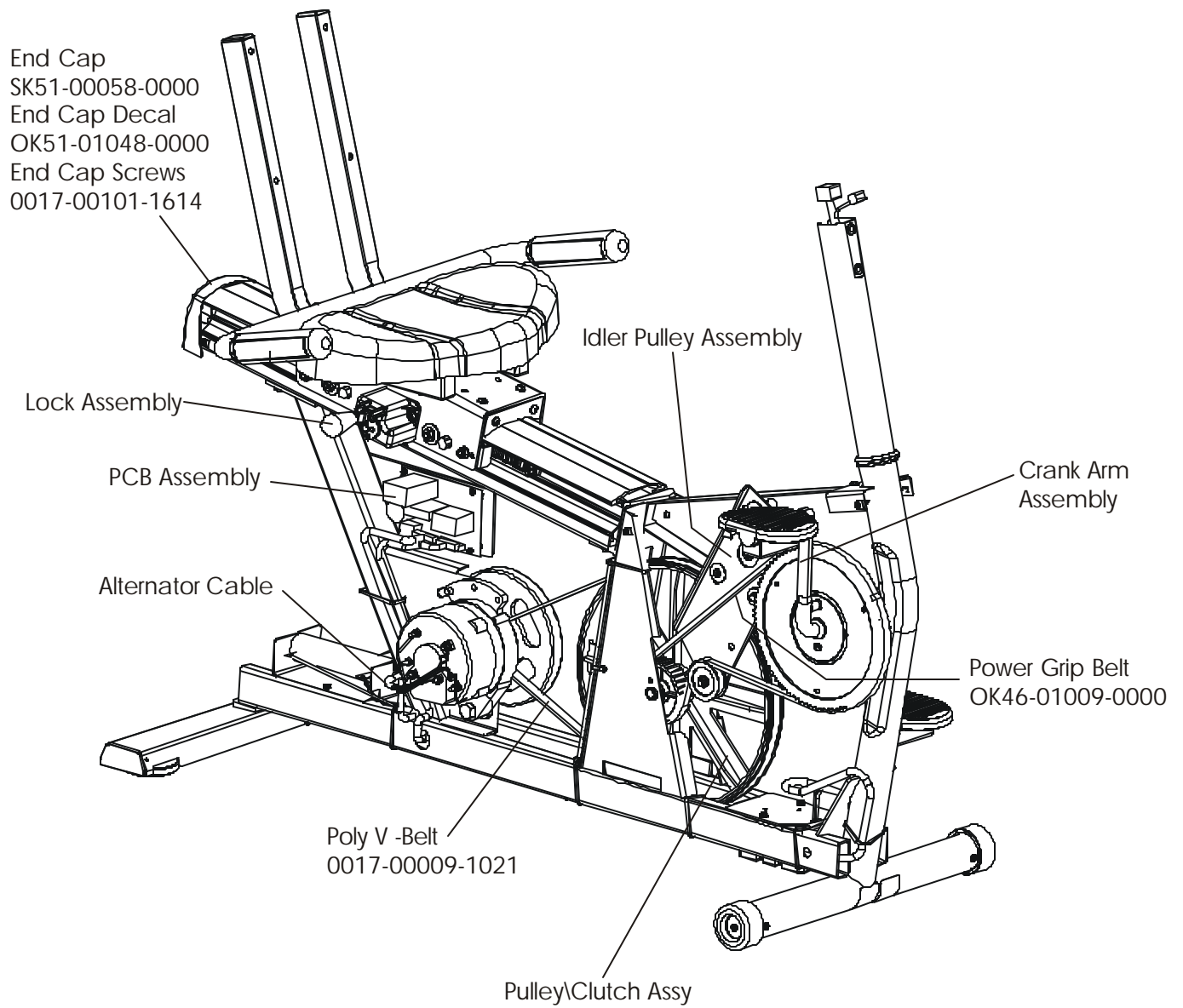
Battery Cover
OK36-01035-0006



Screw
0017-00101-0823 (4)

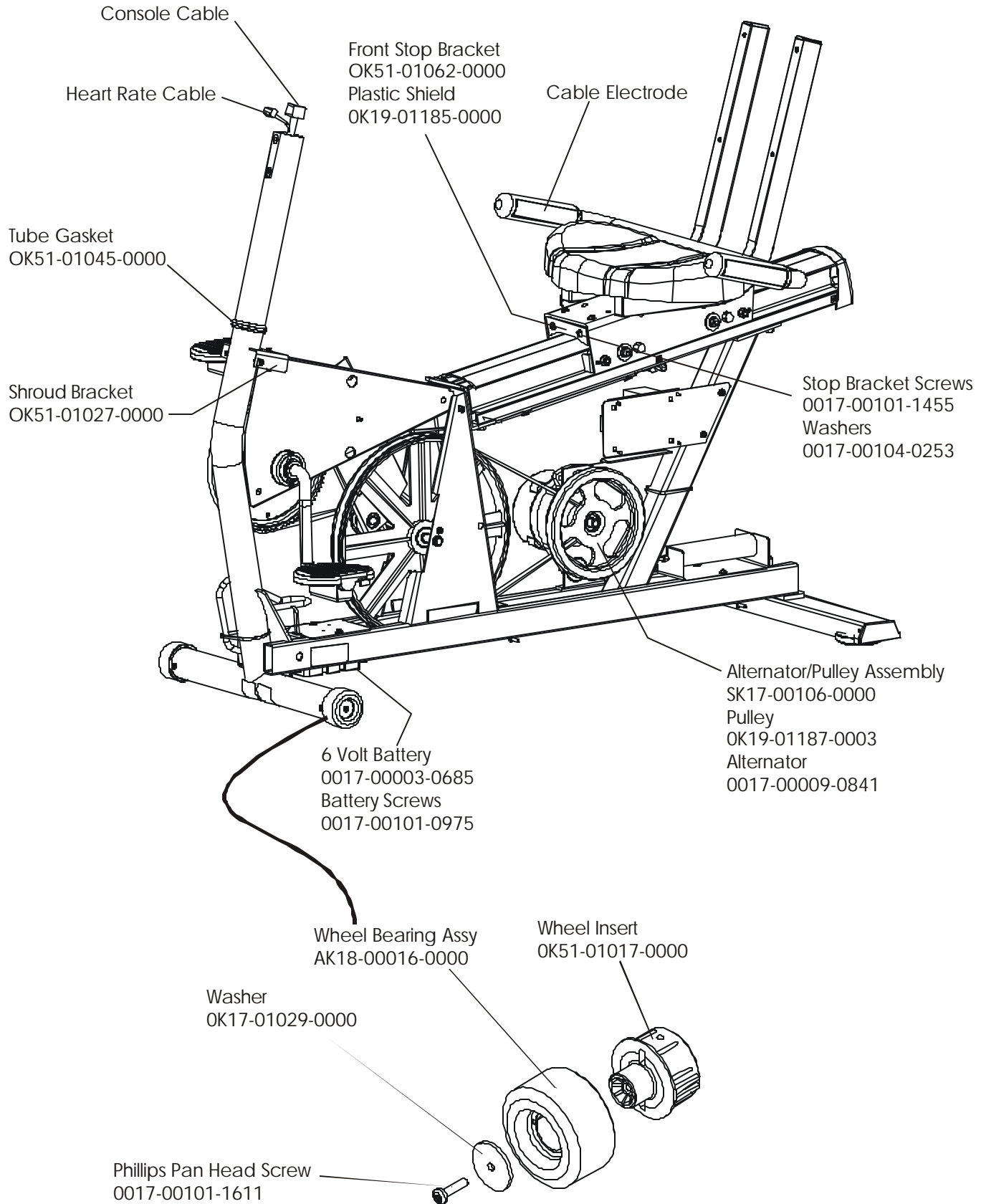
**LC95 Recumbent
Final Frame Assembly – Right Side**

LC95-0100-29



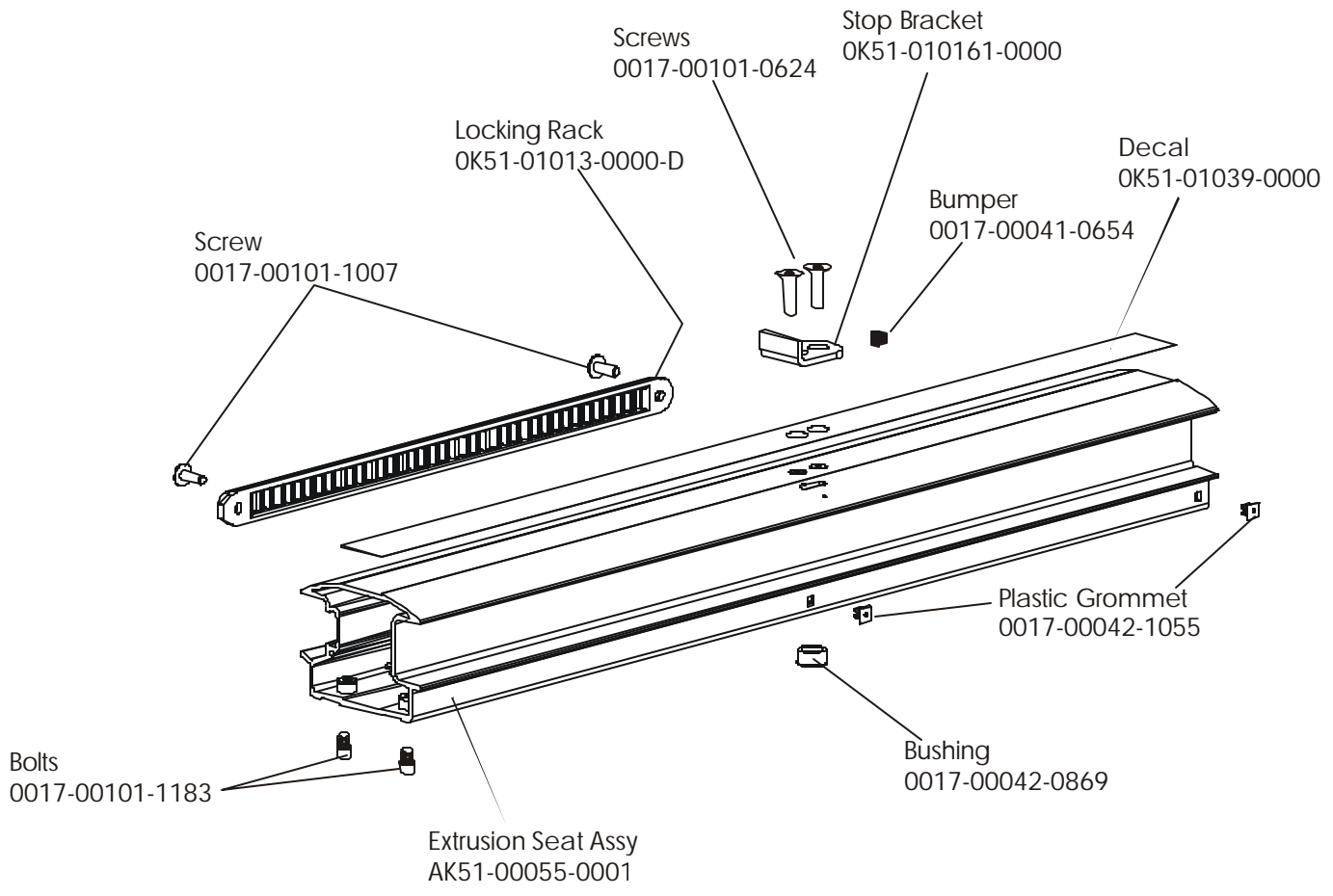
LC95 Recumbent Final Frame Assembly – Left Side

LC95-0100-29



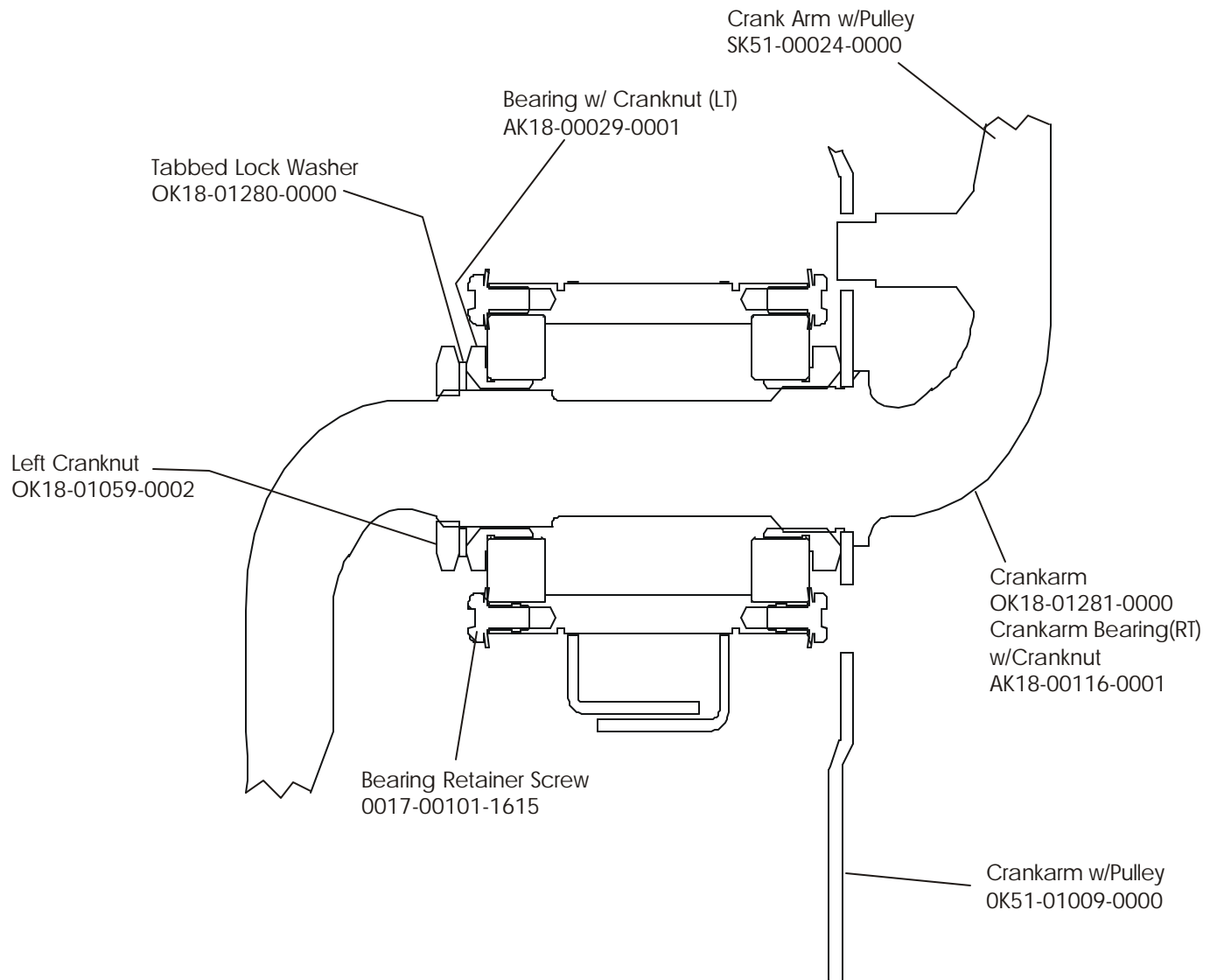
LC95 Recumbent
Extrusion Tube

LC95-0100-29



LC95 Recumbent Crank Arm Assembly

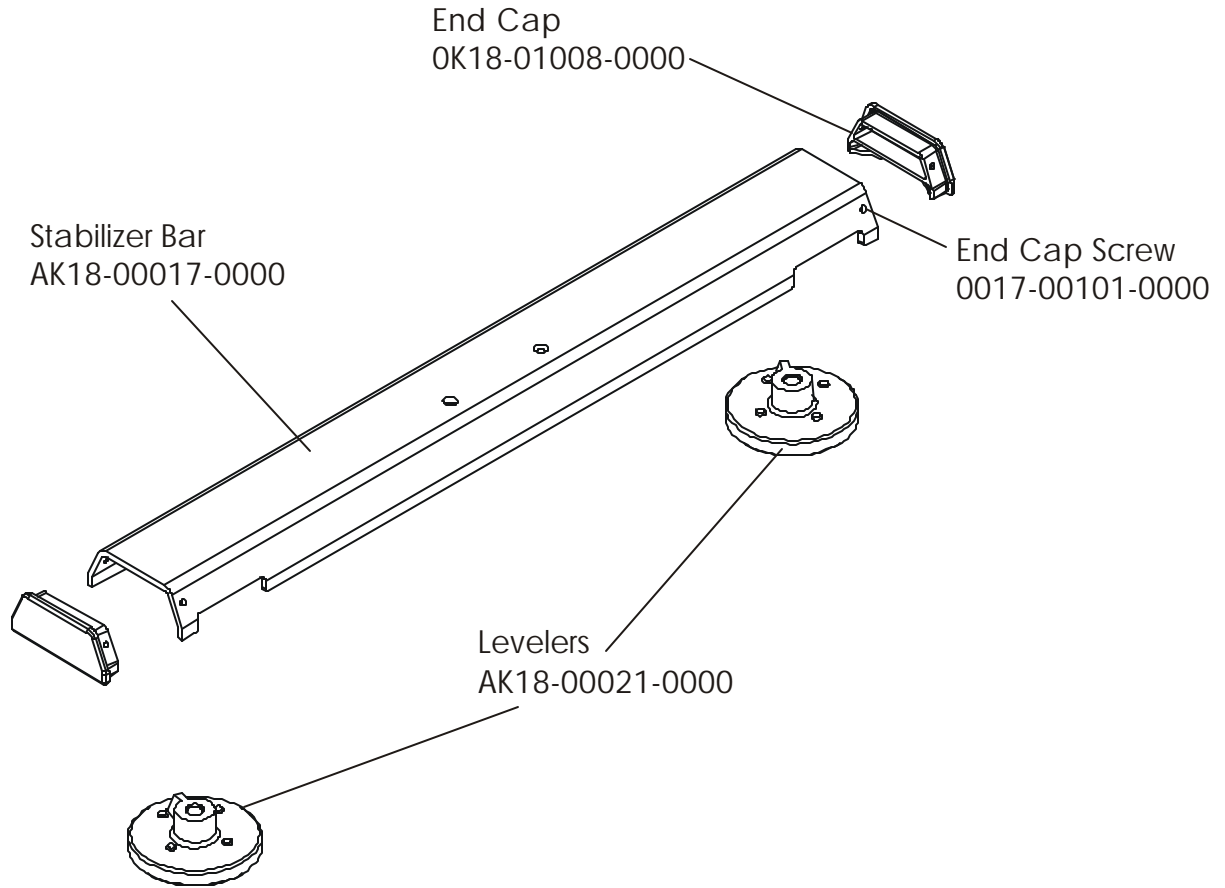
LC95-0100-29

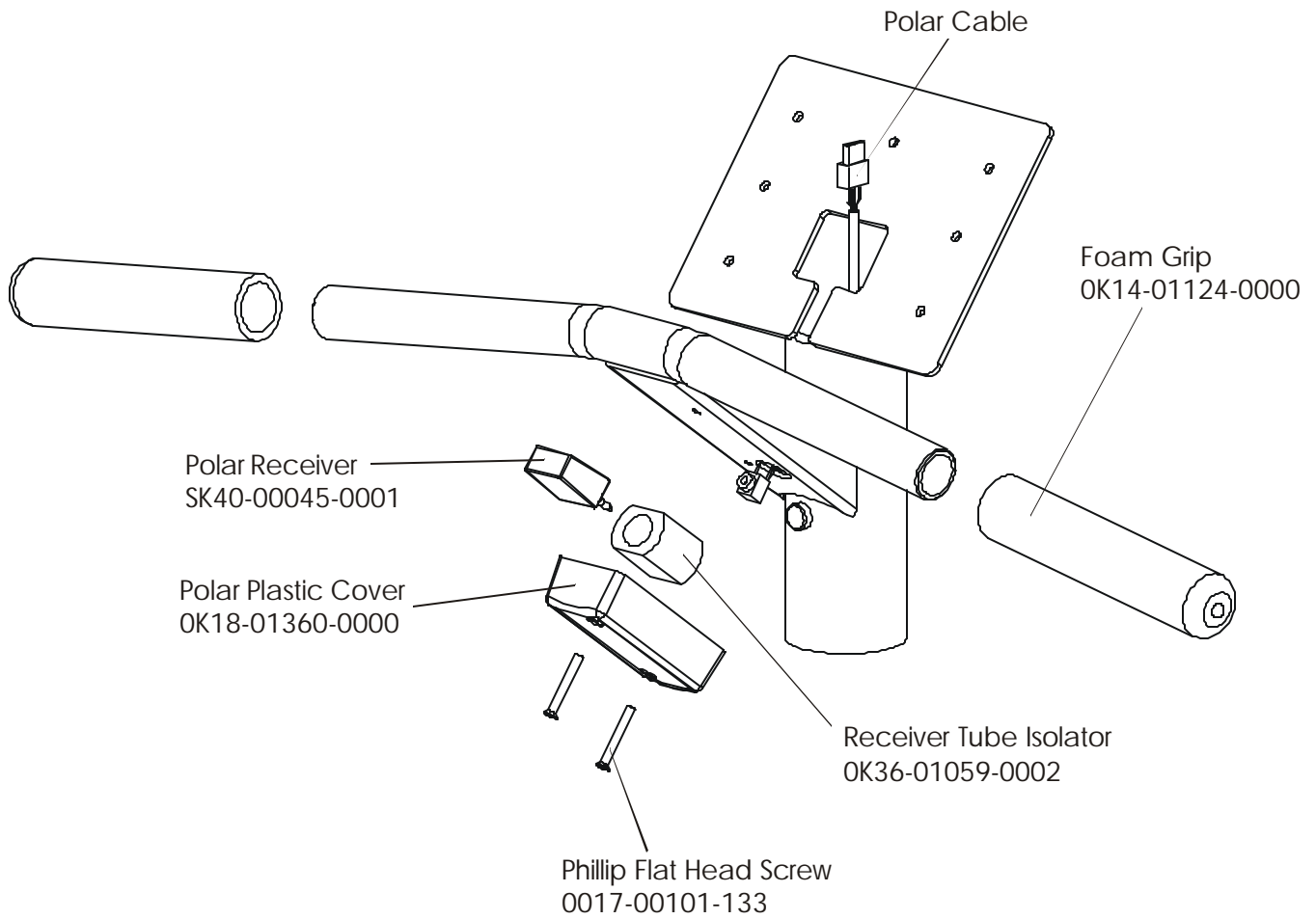


NOTE: Order Crank Bearing Kit GK51-00002-0001

**LC95 Recumbent
Stabilizer Bar Assembly**

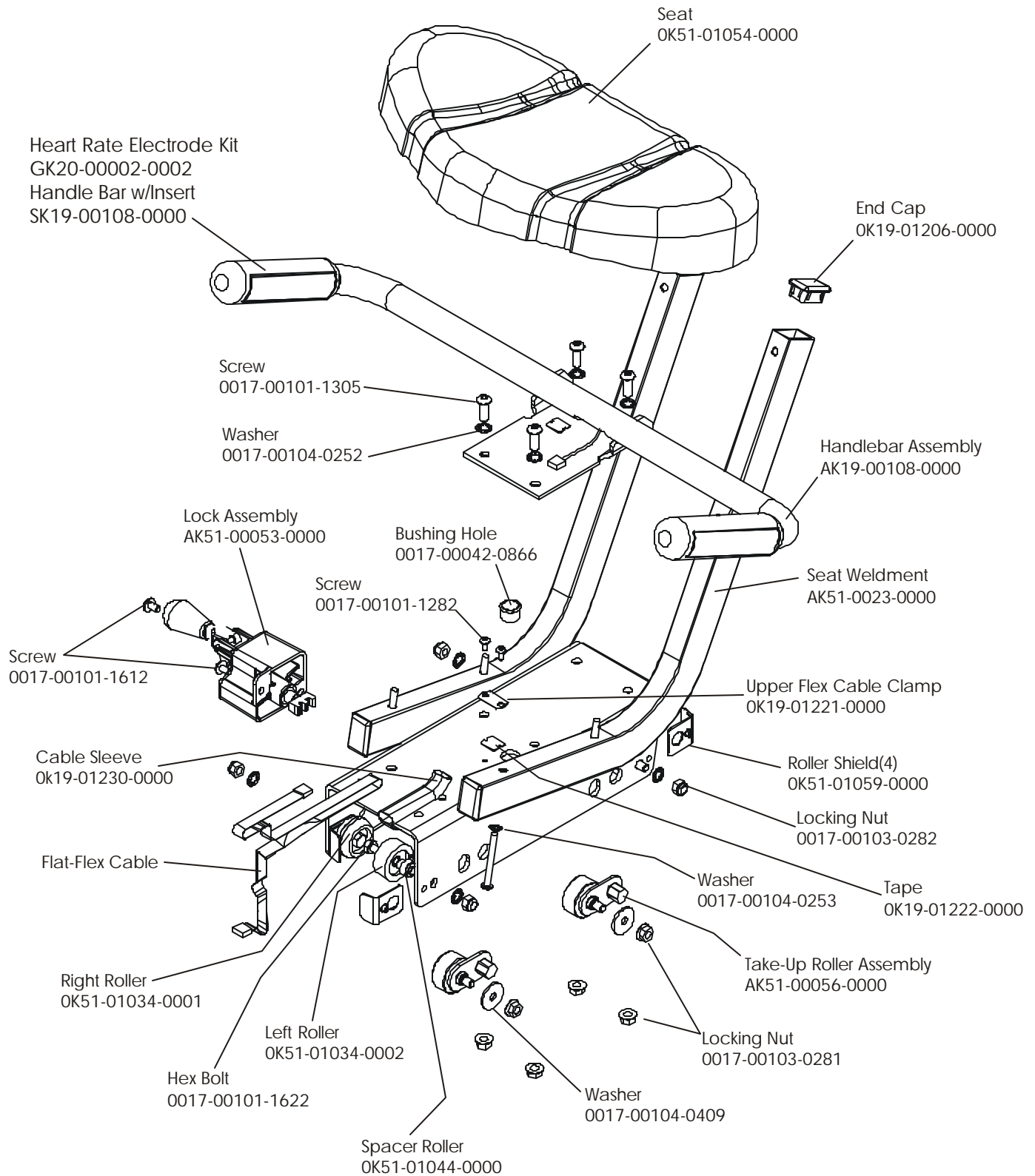
LC95-0100-29





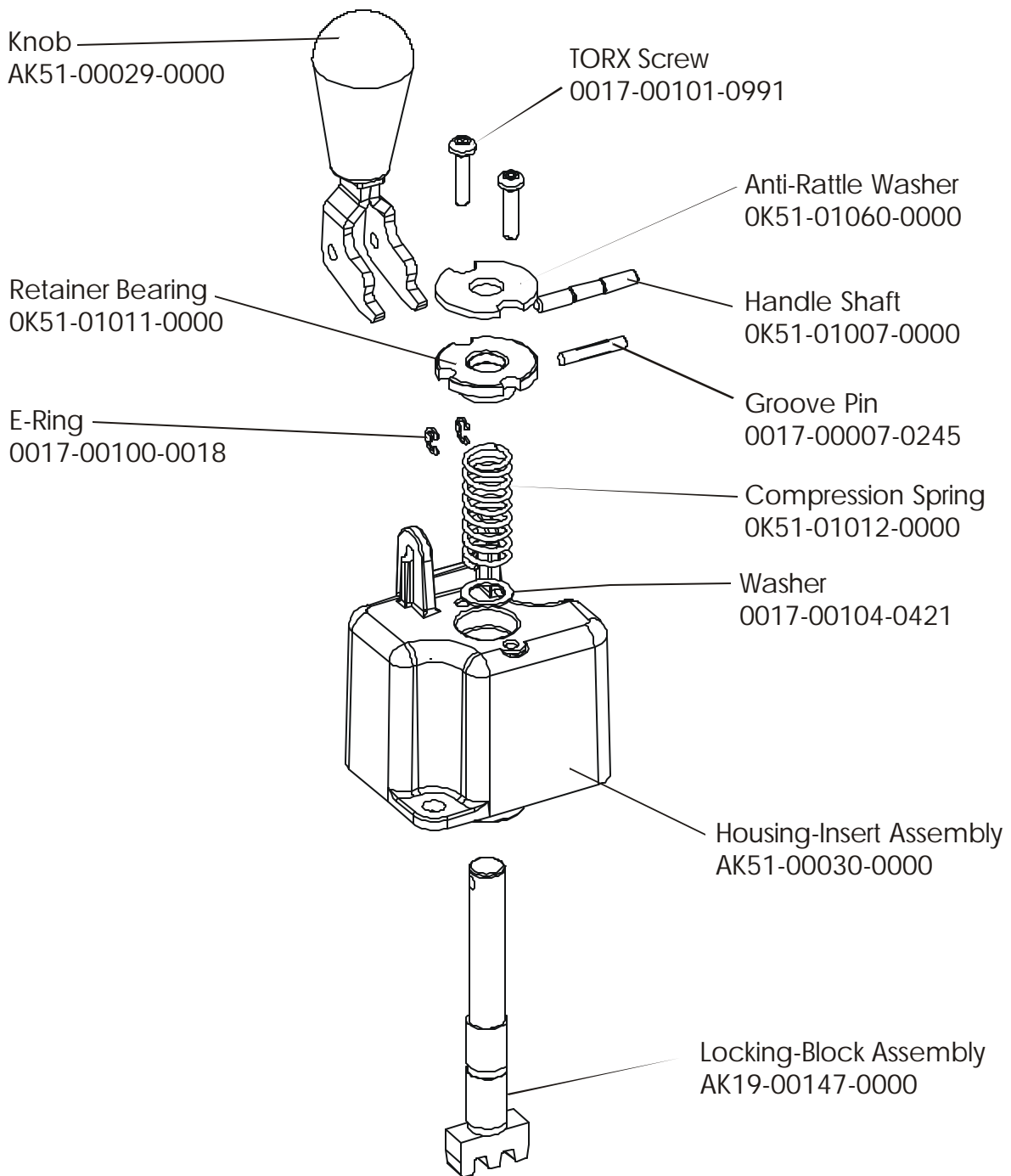
**LC95 Recumbent
Seat Assembly AK51-00011-0000**

LC95-0100-29



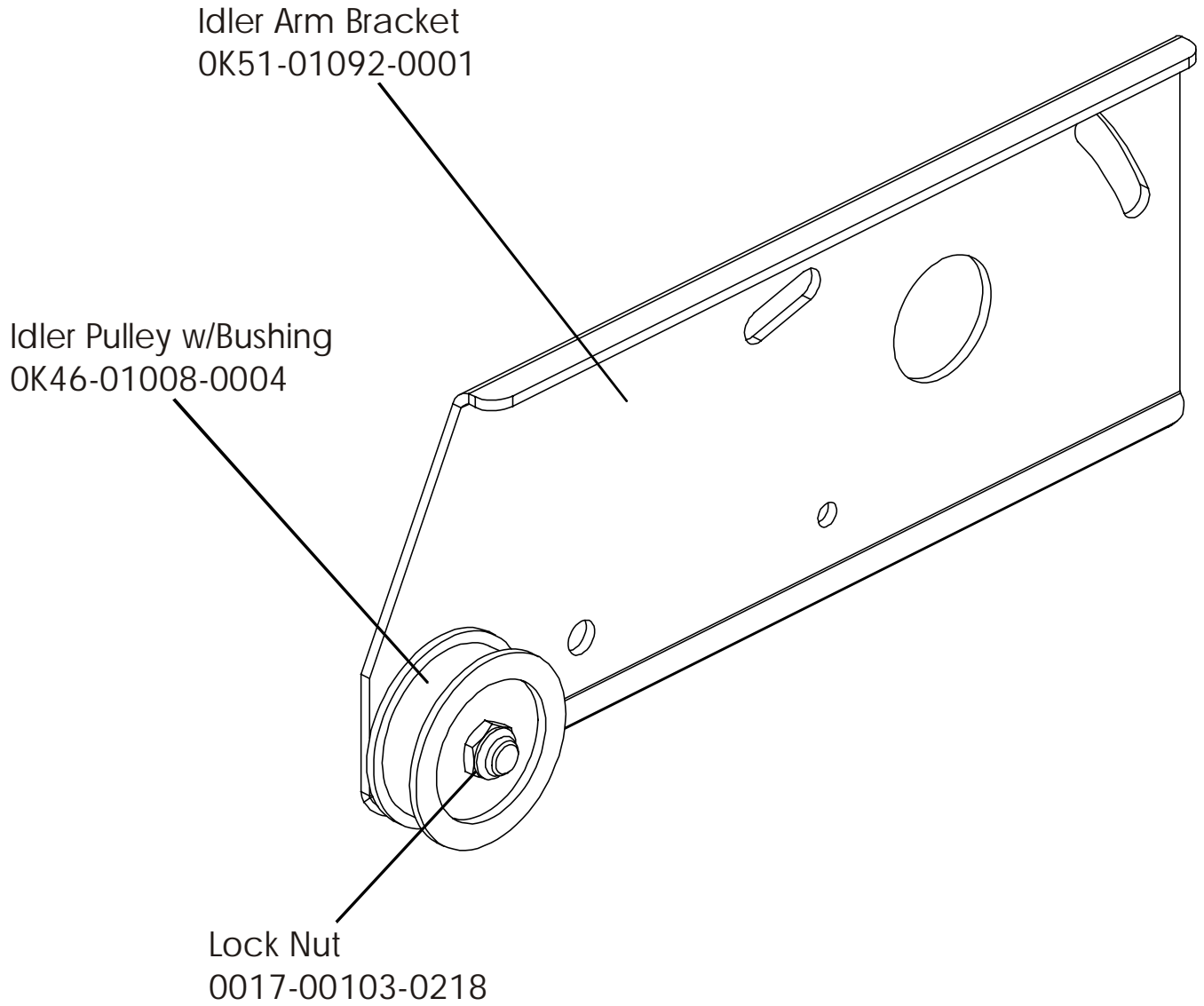
**LC95 Recumbent
Seat Lock Assembly – AK51-00053-0000**

LC95-0100-29



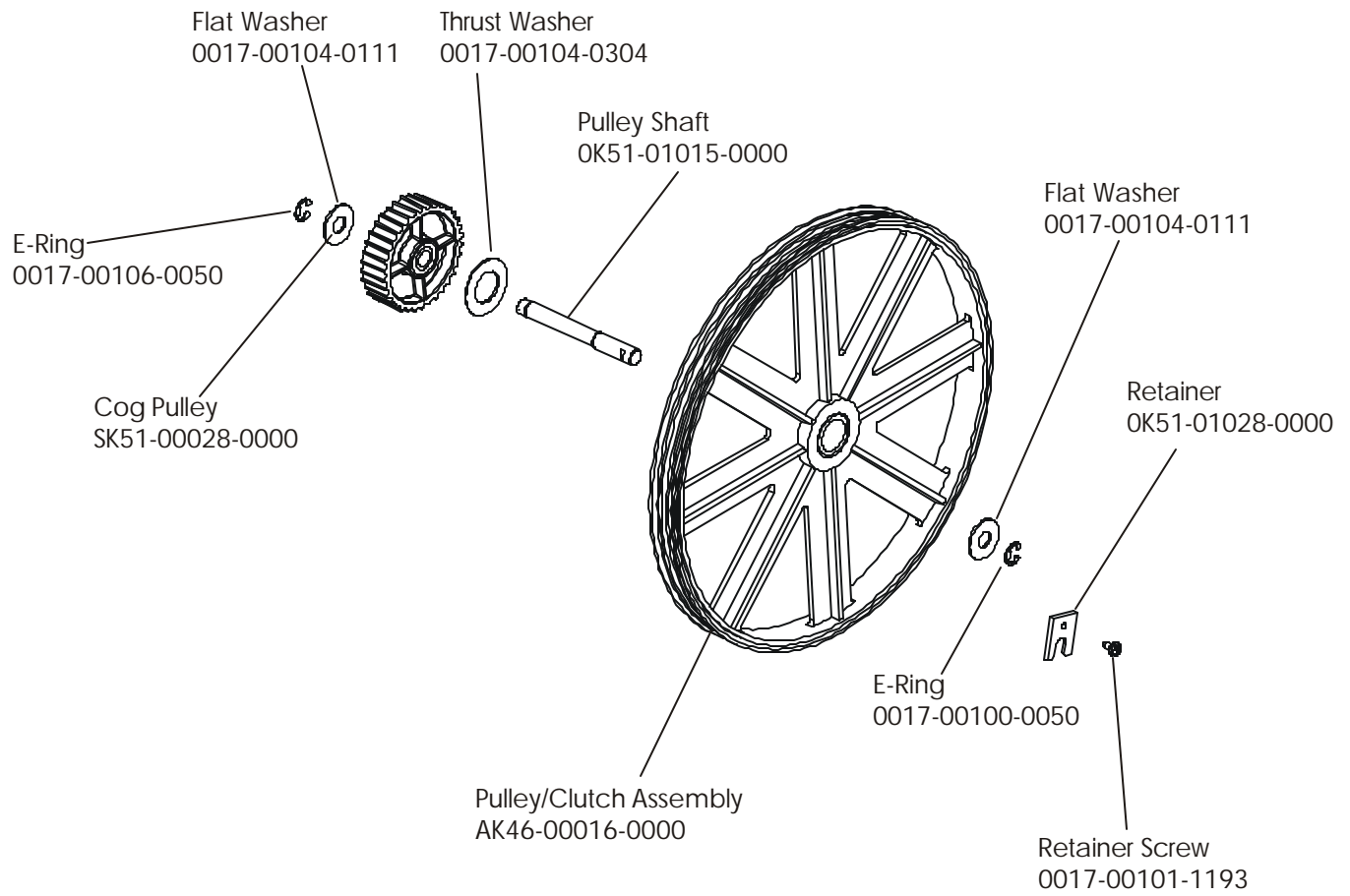
**LC95 Recumbent
Idler Pulley Assembly – AK51-00089-0001**

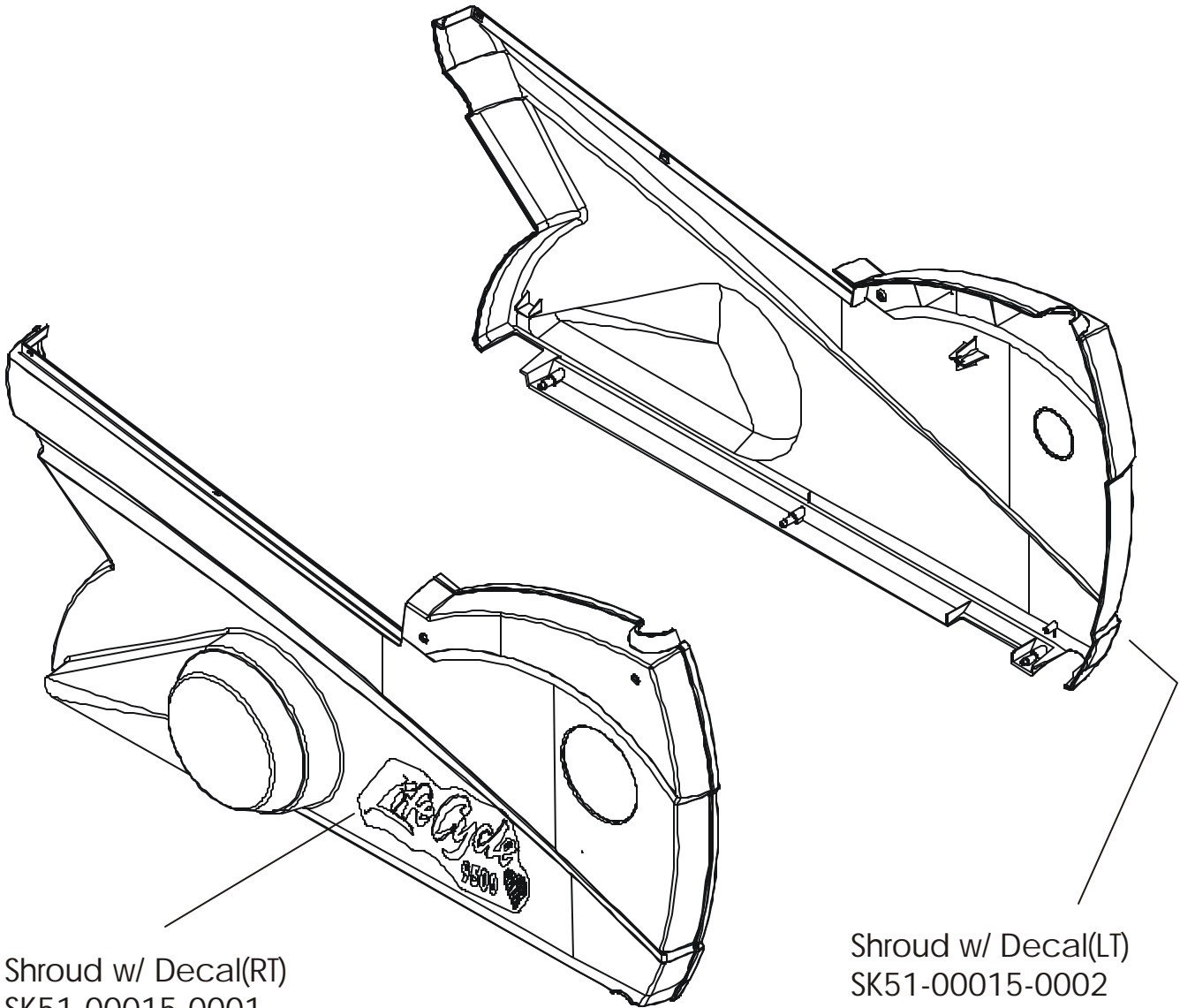
LC95-0100-29



LC95 Recumbent Pulley Clutch Assembly

LC95-0100-29





Shroud w/ Decal(RT)
SK51-00015-0001
Shroud Decal(RT)
OK51-01041-0000

Shroud w/ Decal(LT)
SK51-00015-0002
Shroud Decal(LT)
OK51-01041-0000

Shroud Screw(11)
0017-00101-0991

