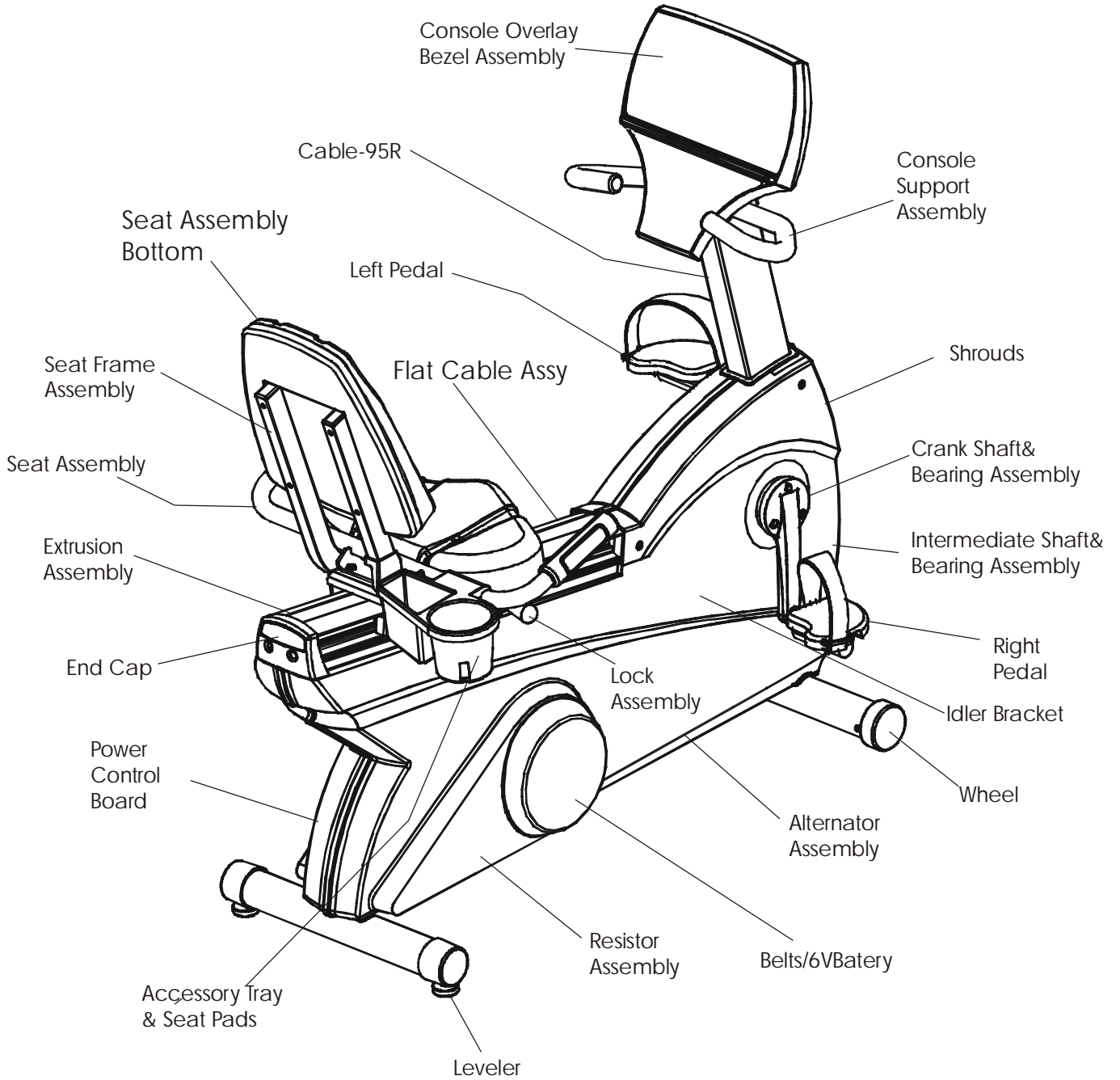


LifeCycle Recumbent Bike - Model LC95R-0100-31 S/N CEF100001

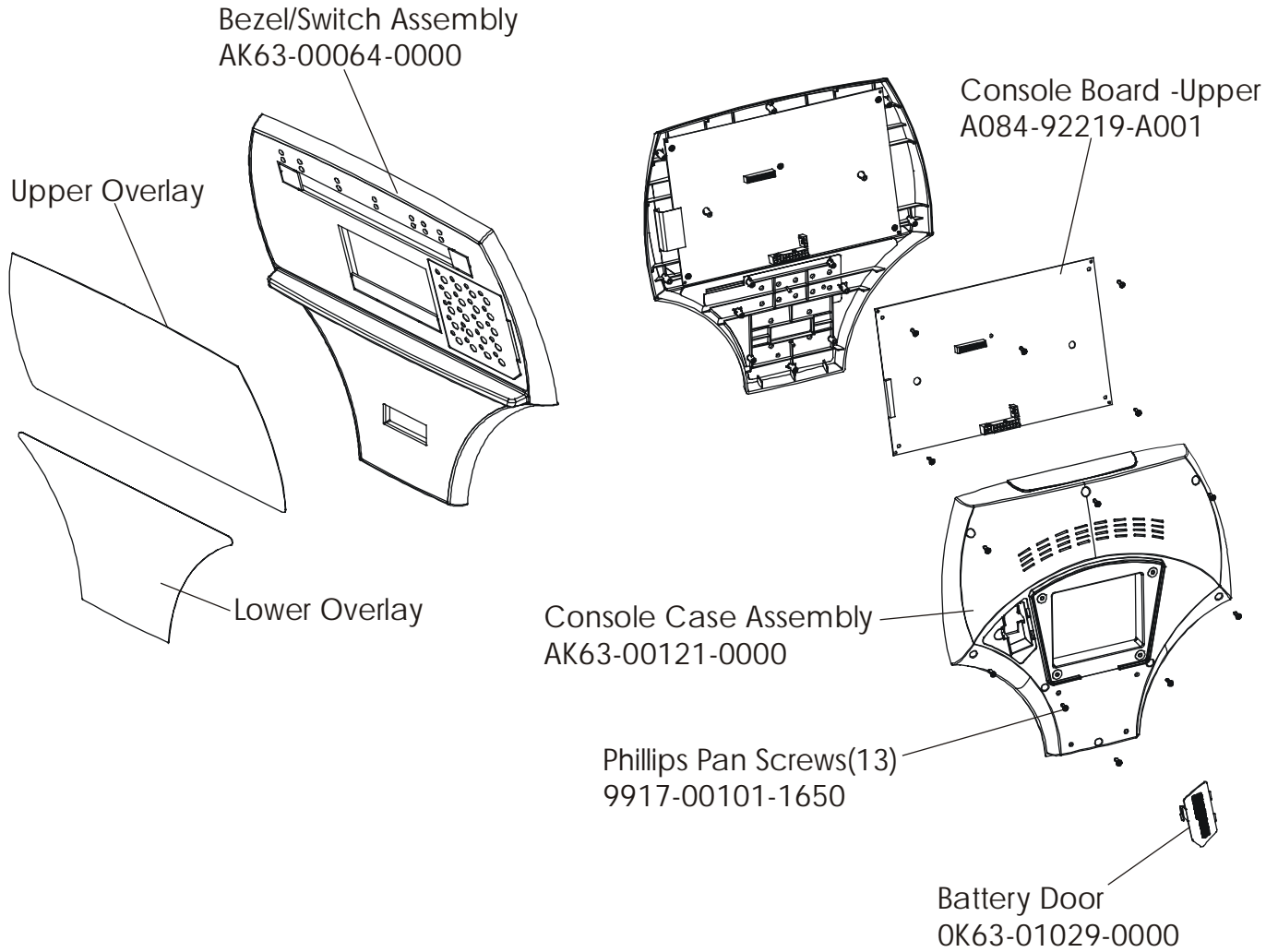
Unit Assembly



Operation Manual	M051-00K20-A347
Service Manual	M051-00K39-A012

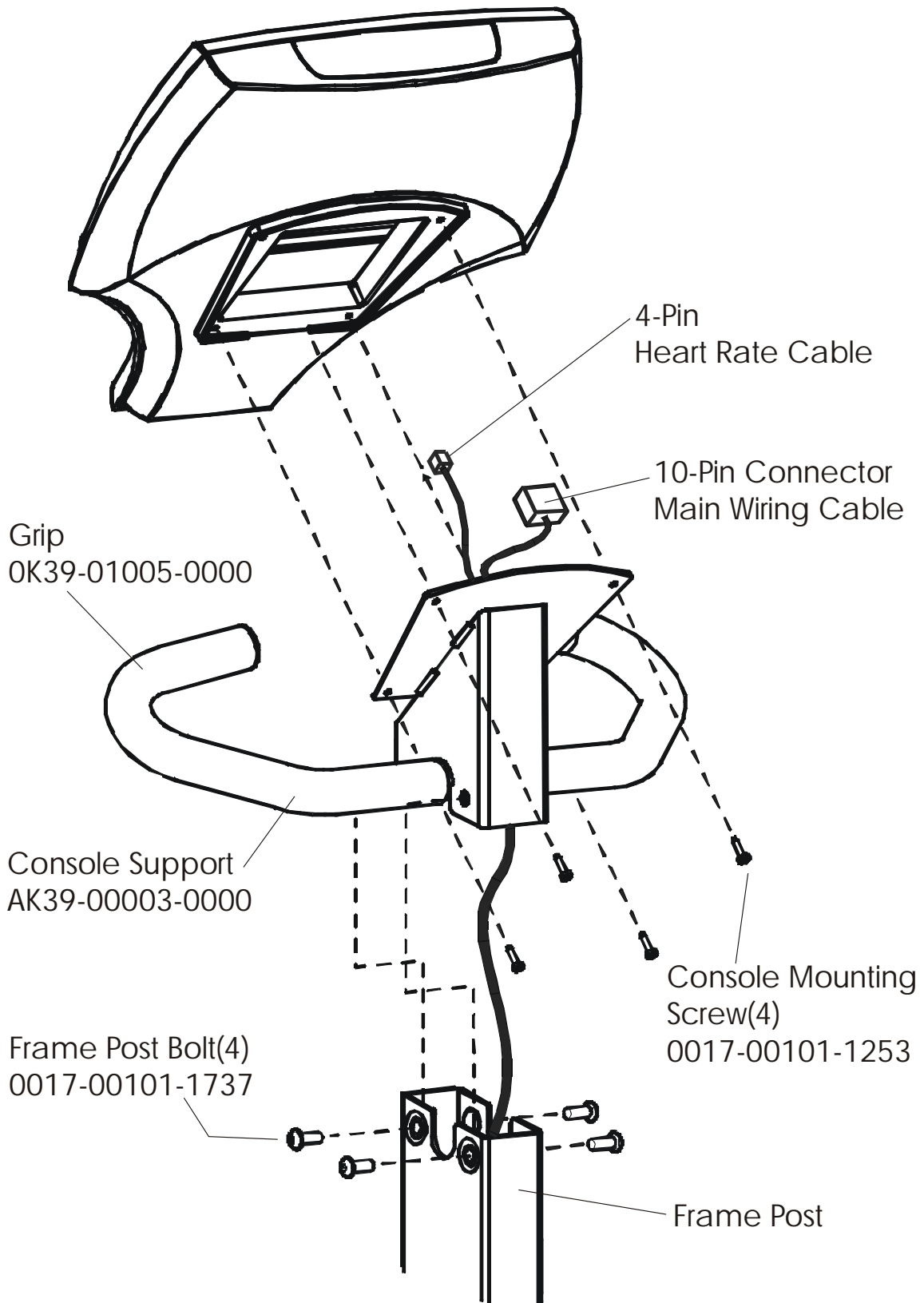
LifeCycle Recumbent Bike - Model LC95R-0100-31 S/N CEF100001

Console Overlay Bezel Assembly



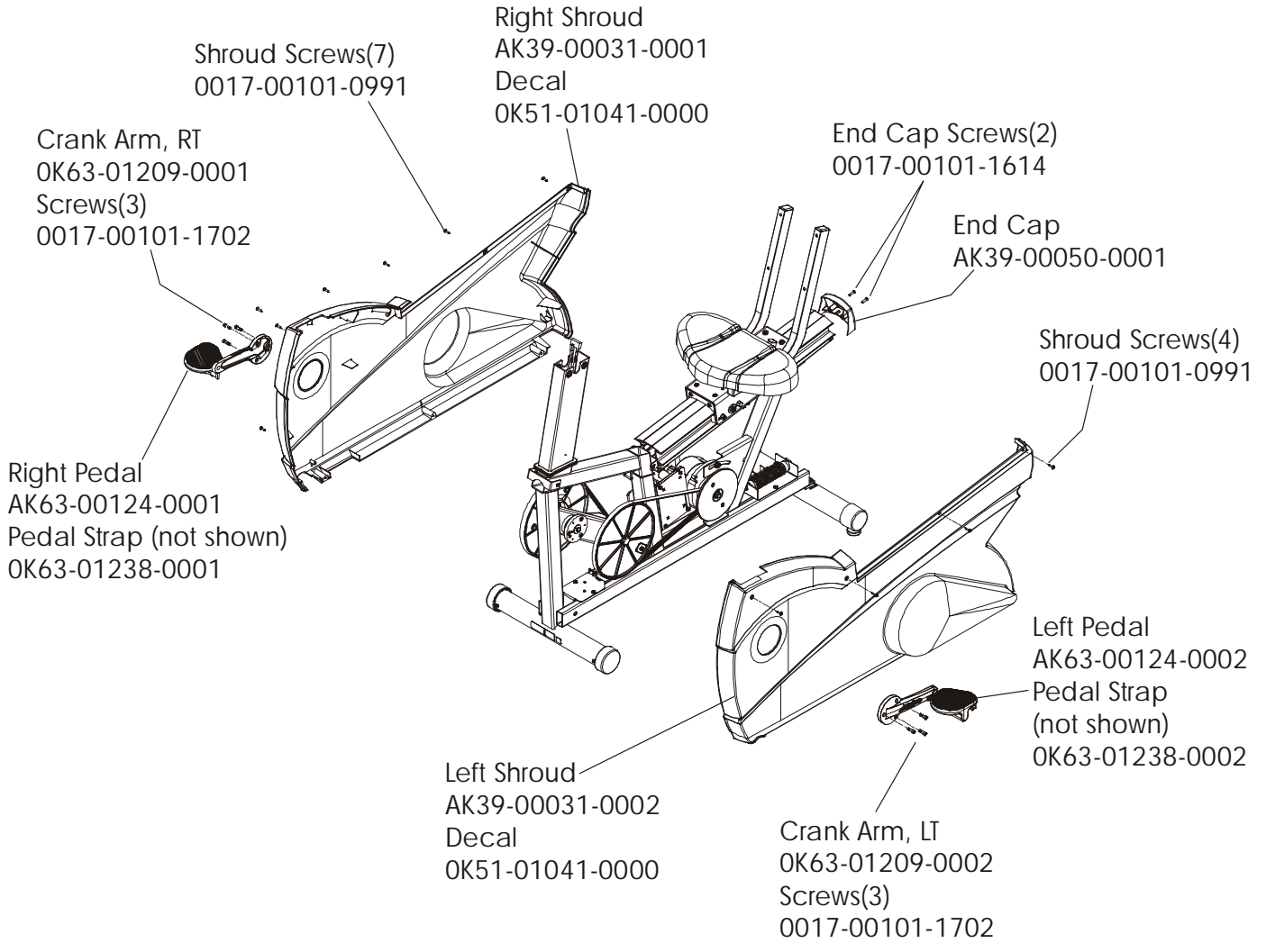
LC9500 Recumbent			
Console Assembly	Overlay Bezel	Upper Overlay	Lower Overlay
AK39-00056-0001 Eng Met	AK63-00063-0001 Eng Met	OK63-01096-0001 Eng Met	OK63-01098-0001 Eng Met
AK39-00056-0003 Ger Met	AK63-00063-0003 Ger Met	OK63-01096-0003 Ger Met	OK63-01098-0003 Ger Met
AK39-00056-0004 Spn Met	AK63-00063-0004 Spn Met	OK63-01096-0004 Spn Met	OK63-01098-0004 Spn Met
AK39-00056-0006 Jap Met	AK63-00063-0006 Jap Met	OK63-01096-0006 Jap Met	OK63-01098-0006 Jap Met
AK39-00056-0007 Frn Met	AK63-00063-0007 Frn Met	OK63-01096-0007 Frn Met	OK63-01098-0007 Frn Met
AK39-00056-0008 Itl Met	AK63-00063-0008 Itl Met	OK63-01096-0008 Itl Met	OK63-01098-0008 Itl Met
AK39-00056-0009 Itl Met	AK63-00063-0009 Itl Met	OK63-01096-0009 Itl Met	OK63-01098-0009 Itl Met
AK39-00056-0010 Por Met	AK63-00063-0010 Por Met	OK63-01096-0010 Por Met	OK63-01098-0010 Por Met

Console Support Assembly



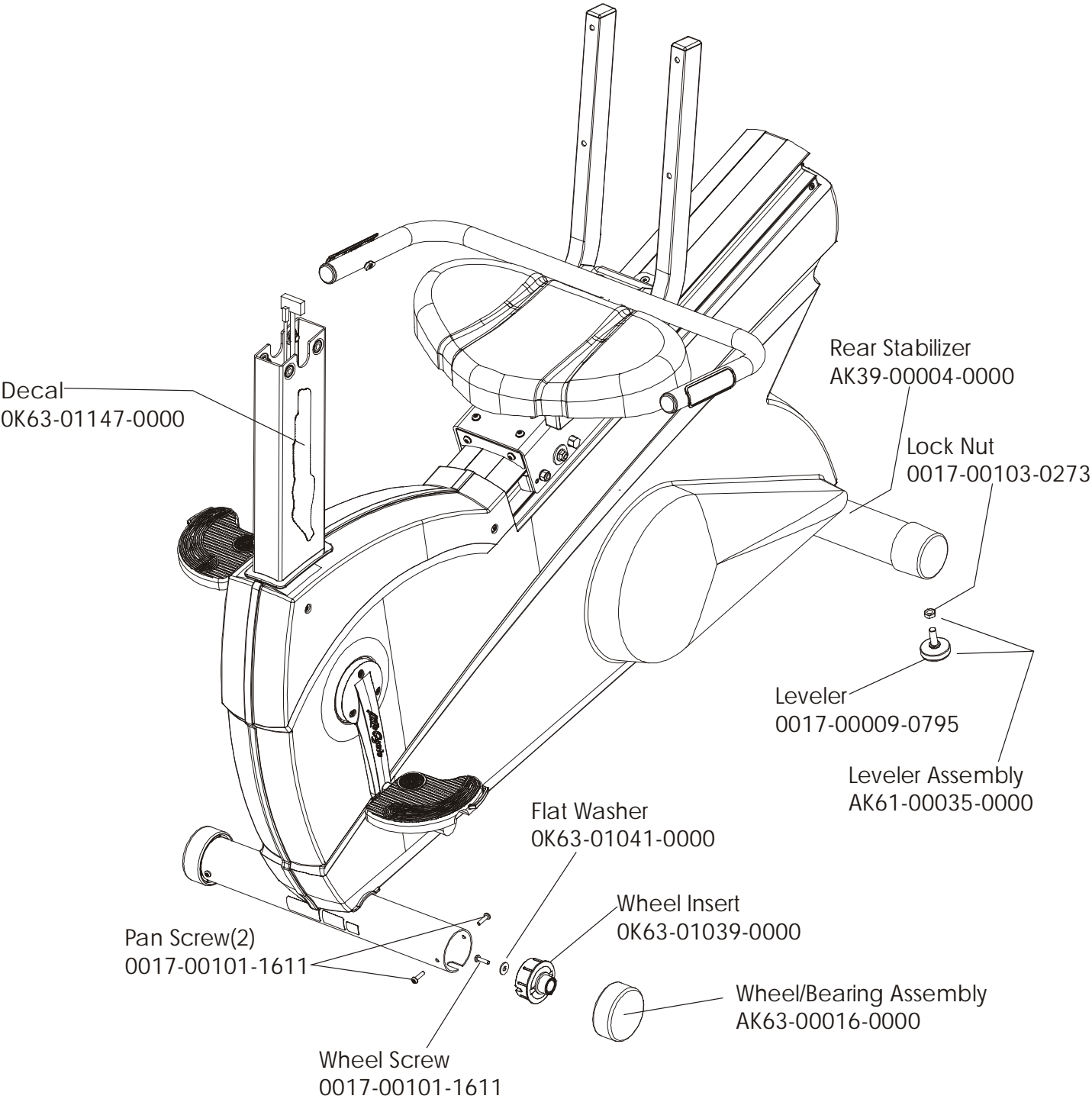
LifeCycle Recumbent Bike - Model LC95R-0100-31 S/N CEF100001

Shrouds, End Cap, and Pedals



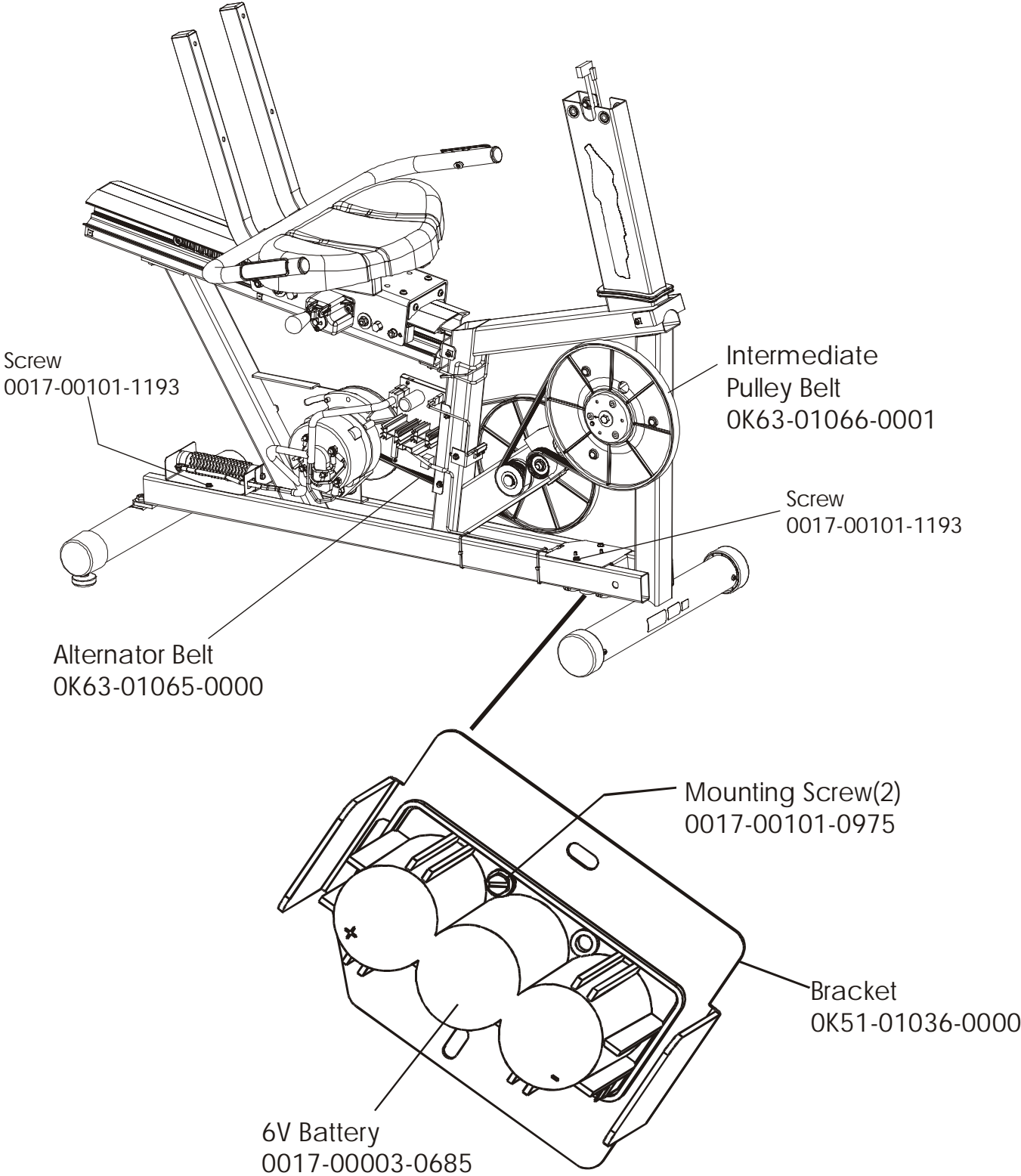
LifeCycle Recumbent Bike - Model LC95R-0100-31 S/N CEF100001

Wheel and Leveler

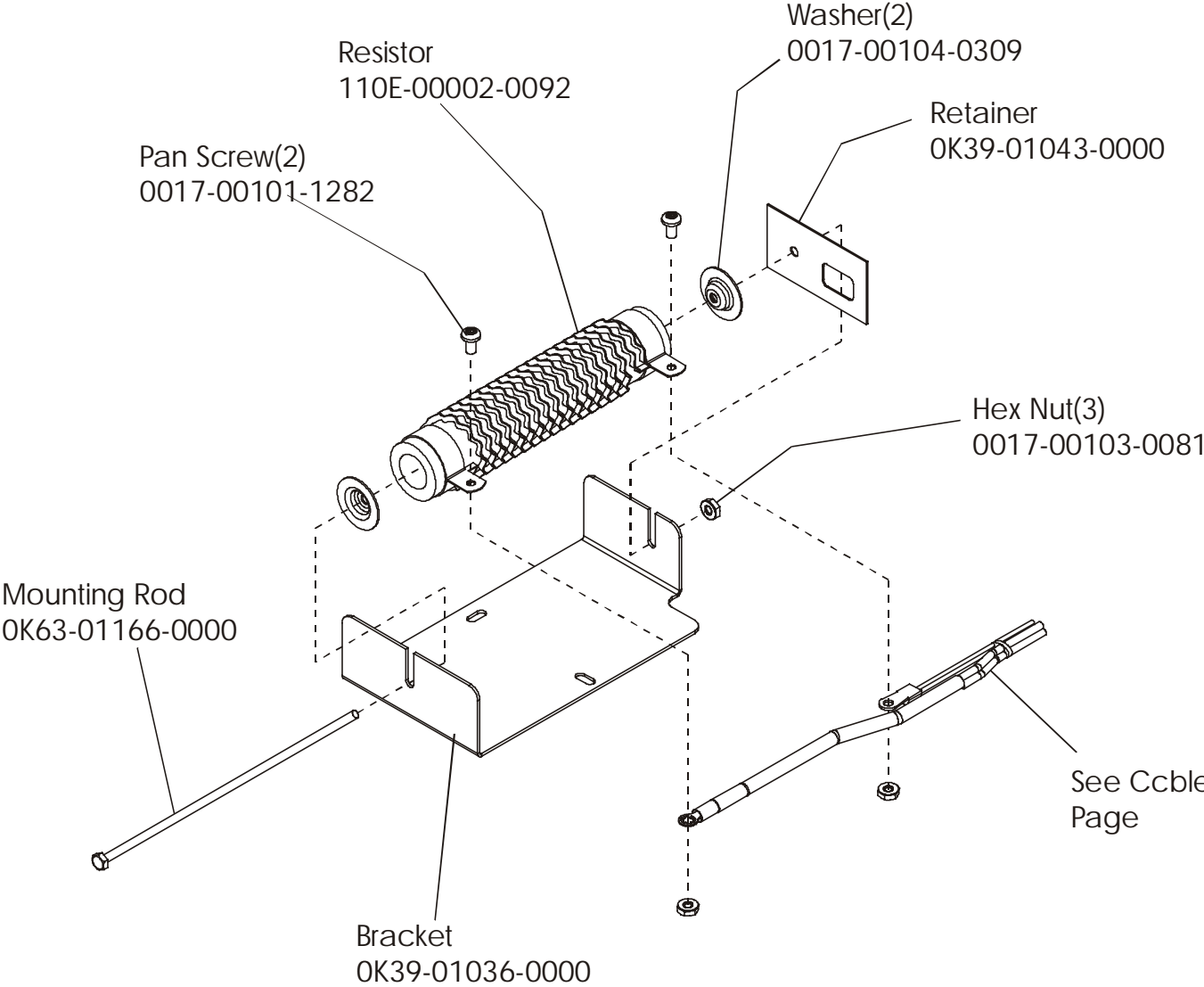


LifeCycle Recumbent Bike - Model LC95R-0100-31 S/N CEF100001

Belts and 6V Battery

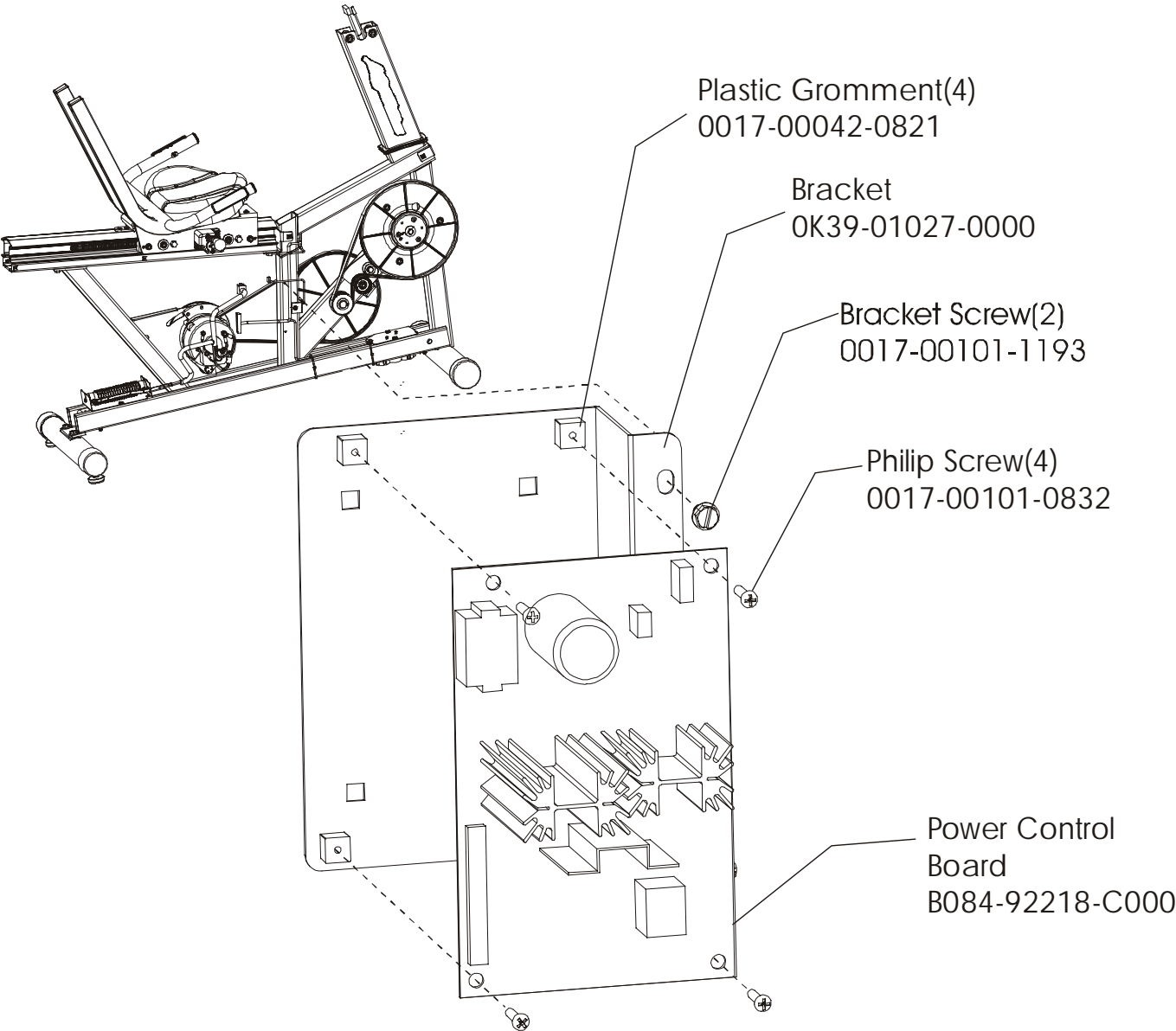


Resistor Assembly



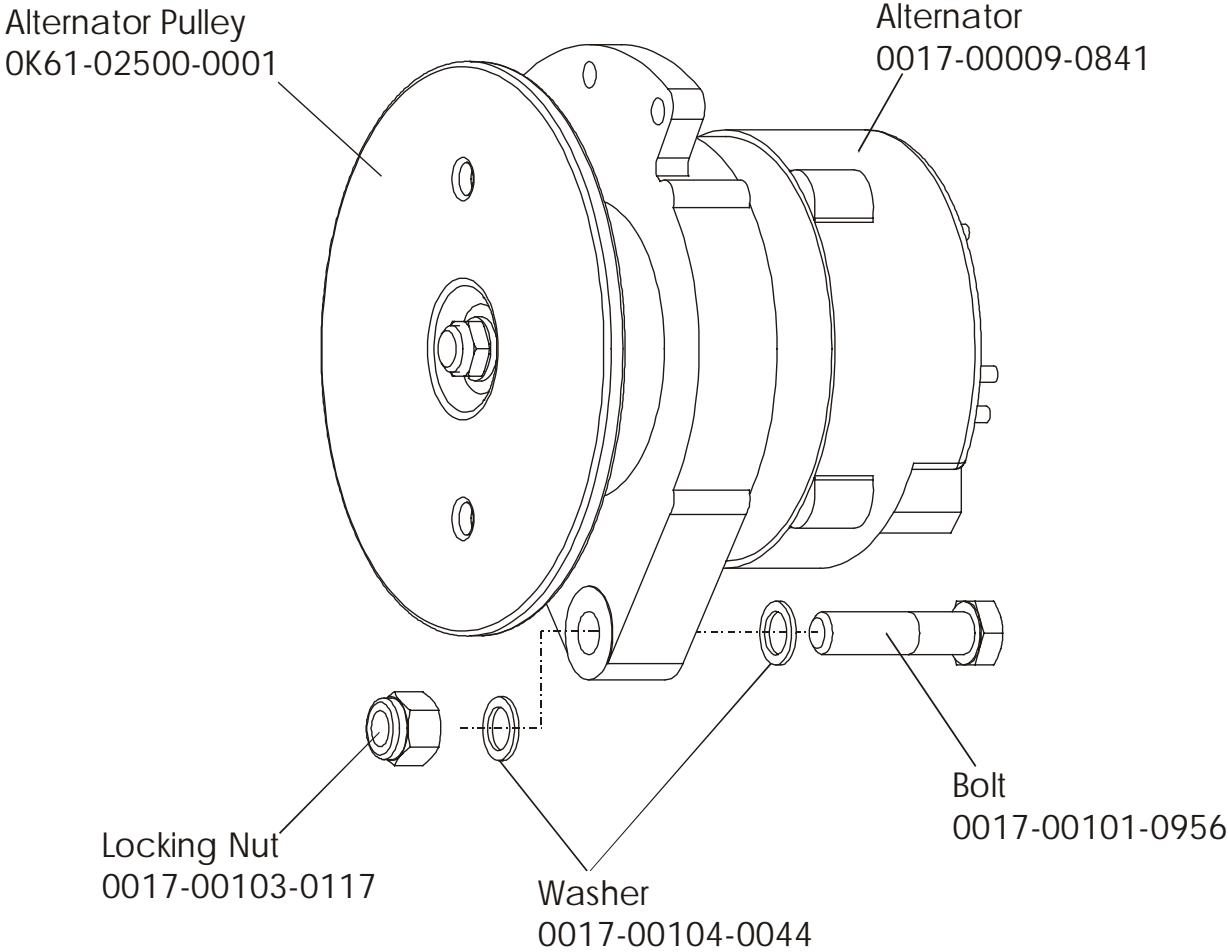
LifeCycle Recumbent Bike - Model LC95R-0100-31 S/N CEF100001

Power Control Board - AK39-00022-0001



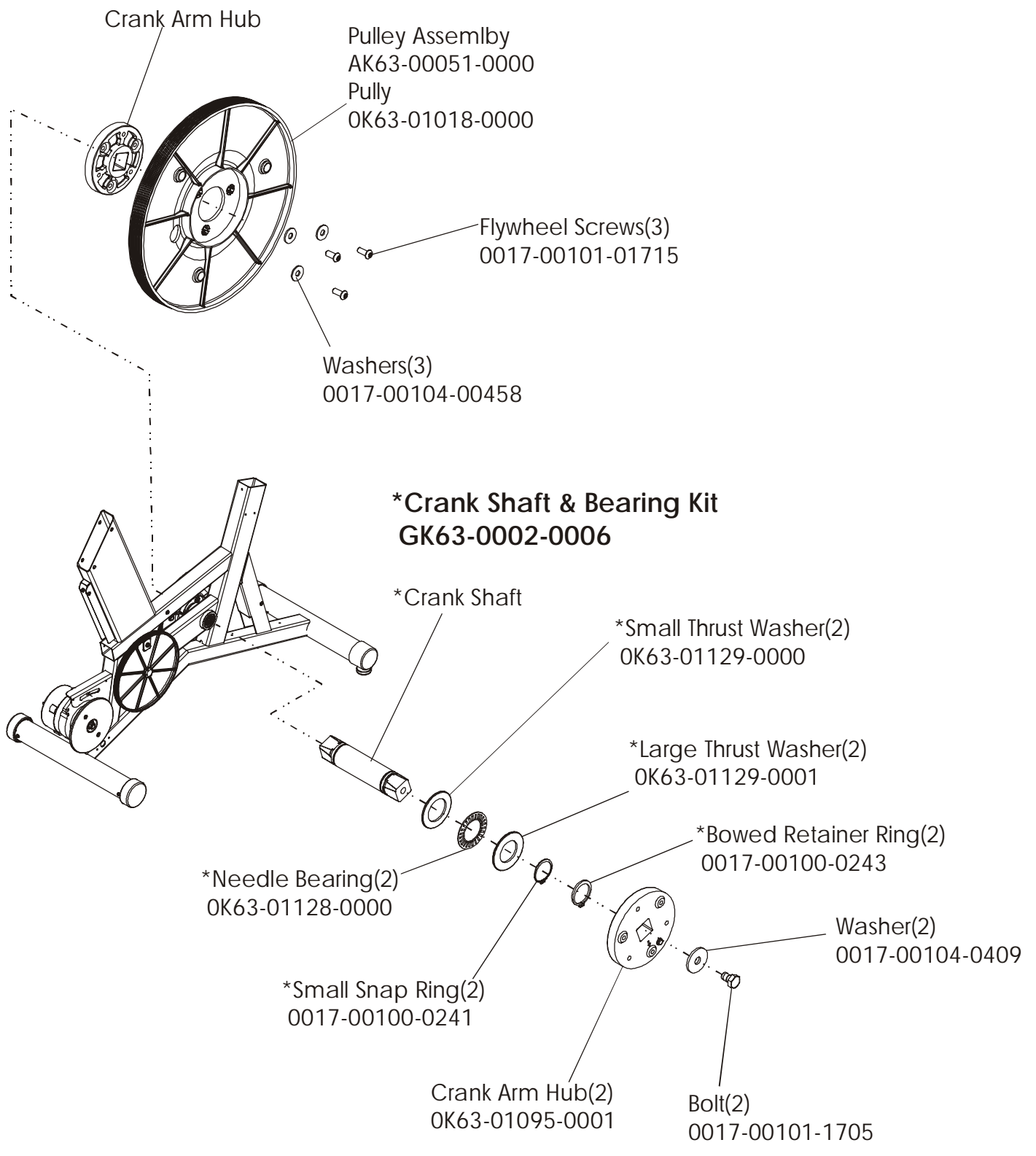
LifeCycle Recumbent Bike - Model LC95R-0100-31 S/N CEF100001

Alternator w/Pulley - AK63-00093-0000



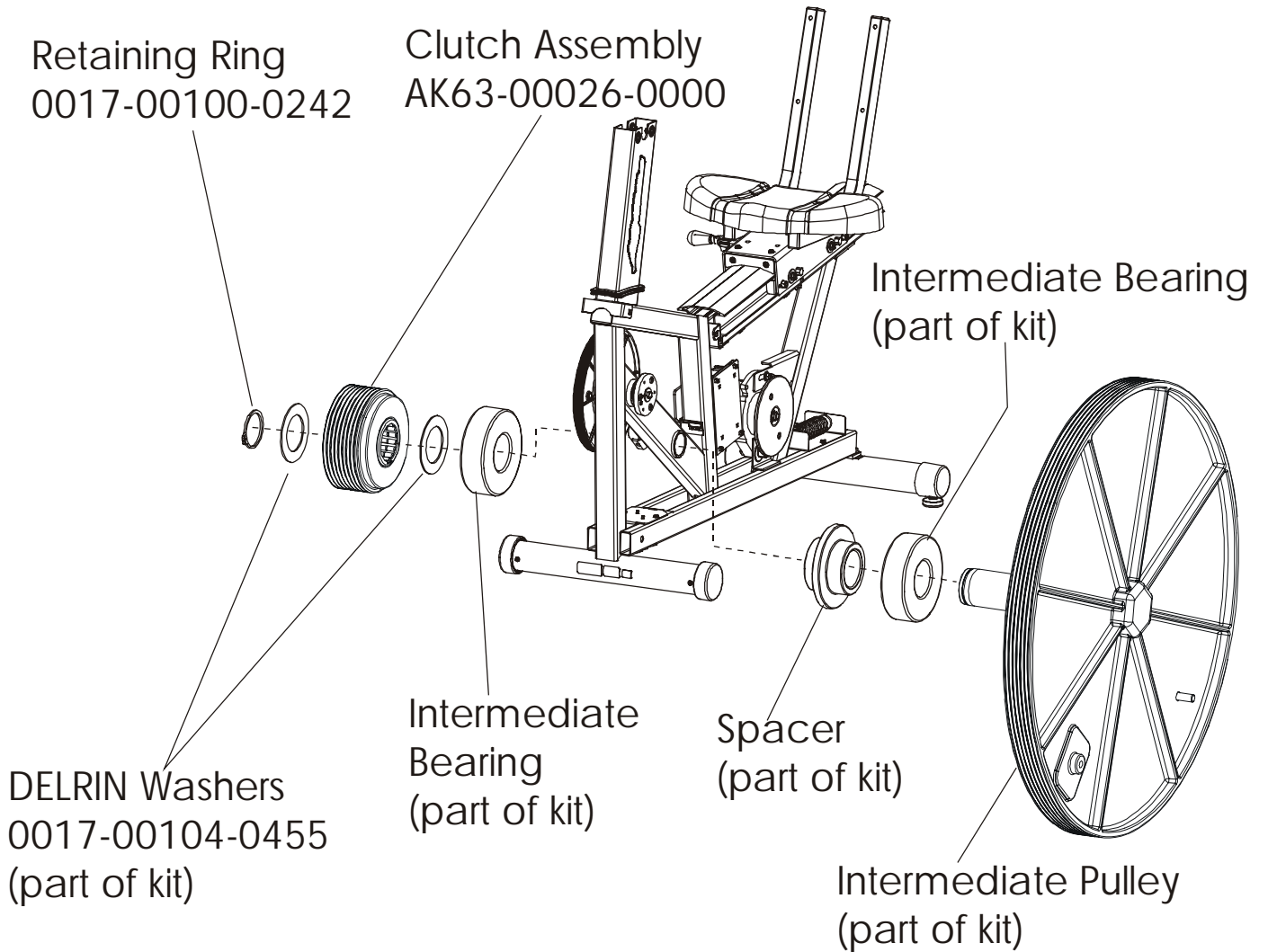
LifeCycle Recumbent Bike - Model LC95R-0100-31 S/N CEF100001

Crank Shaft and Bearing Assembly – GK63-00002-0006 Kit

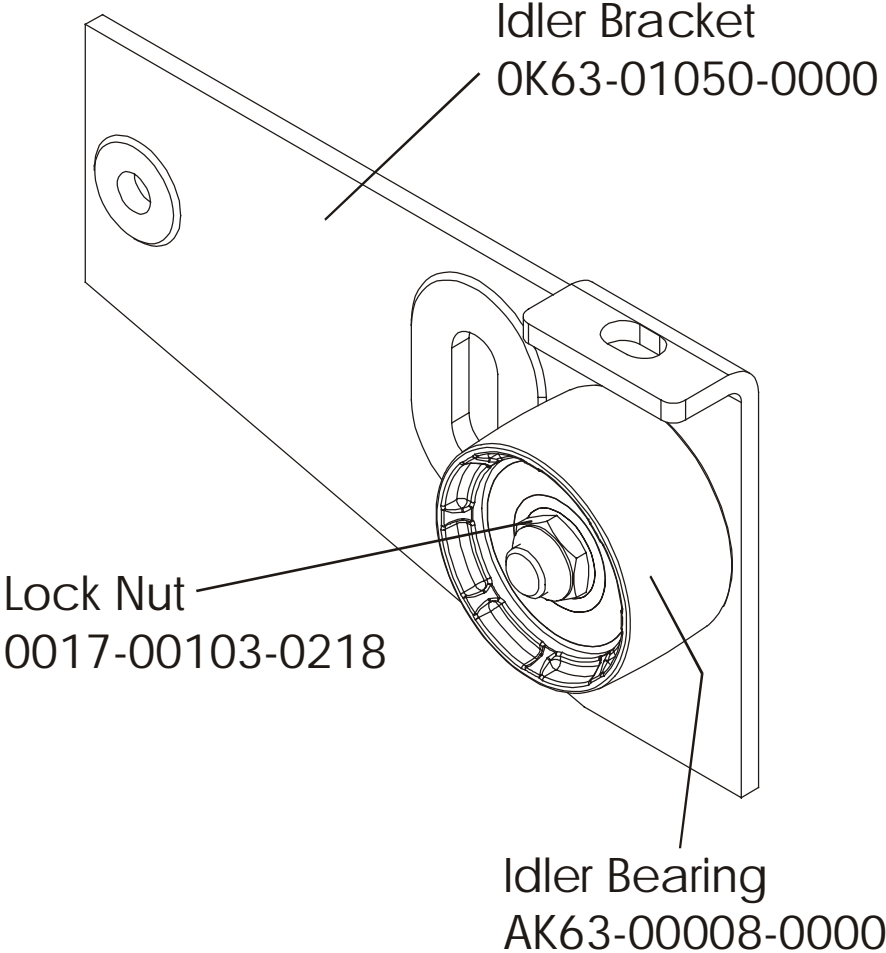


LifeCycle Recumbent Bike - Model LC95R-0100-31 S/N CEF100001

Intermediate Shaft and Bearing Assembly – GK63-00002-0007 Kit

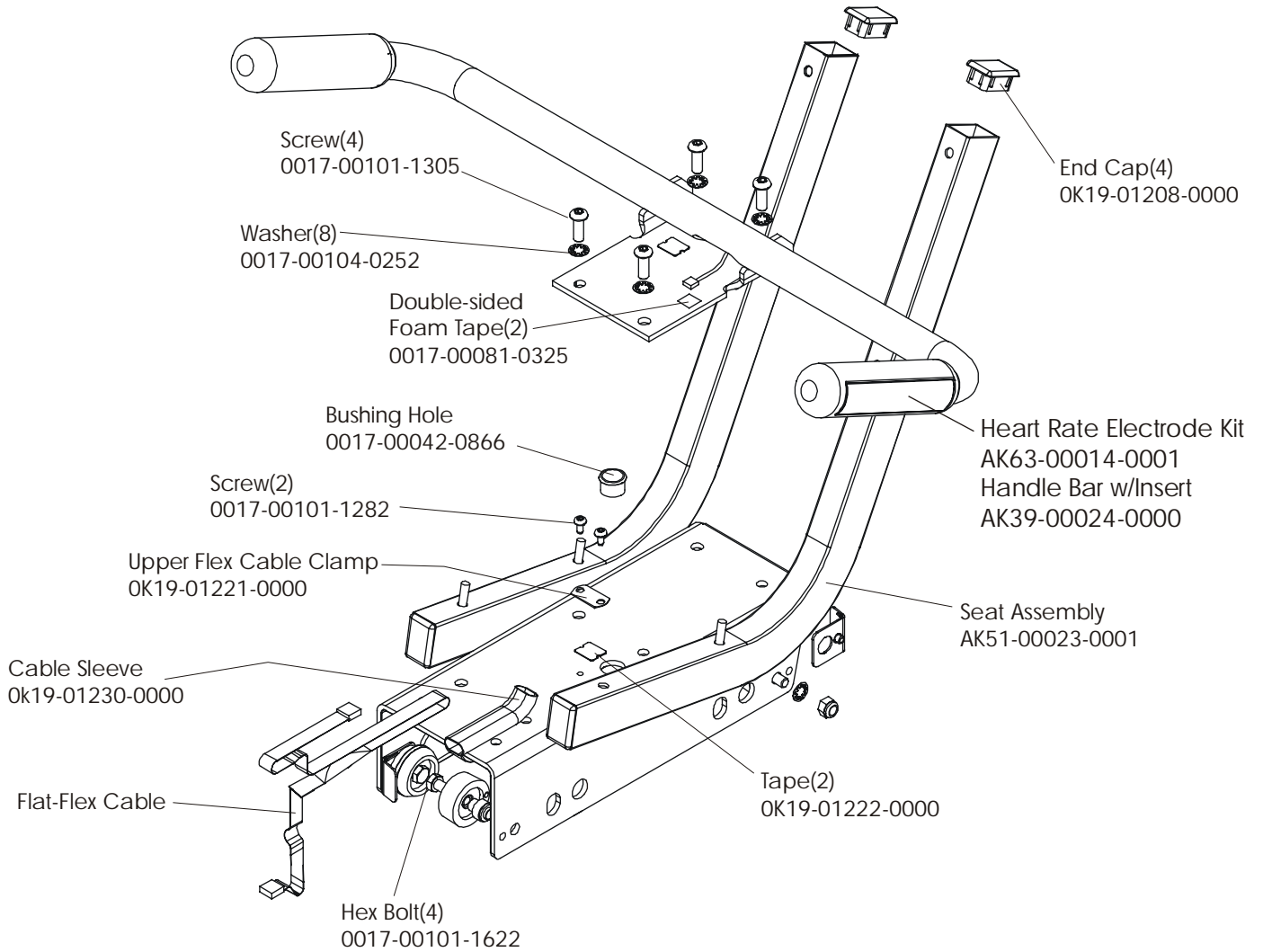


Idler Bracket Assembly – AK63-00021-0000



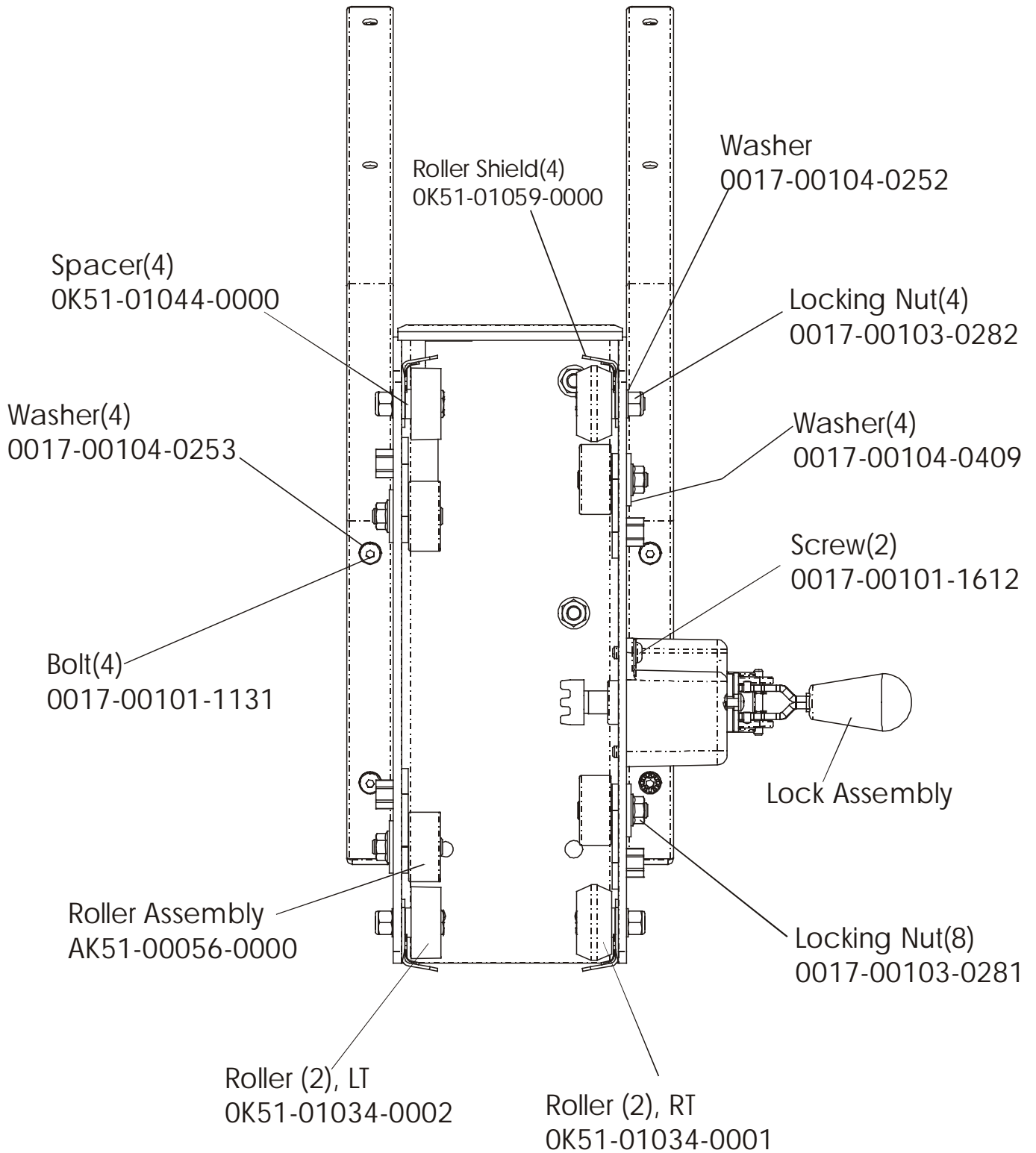
LifeCycle Recumbent Bike - Model LC95R-0100-31 S/N CEF100001

Seat Assembly



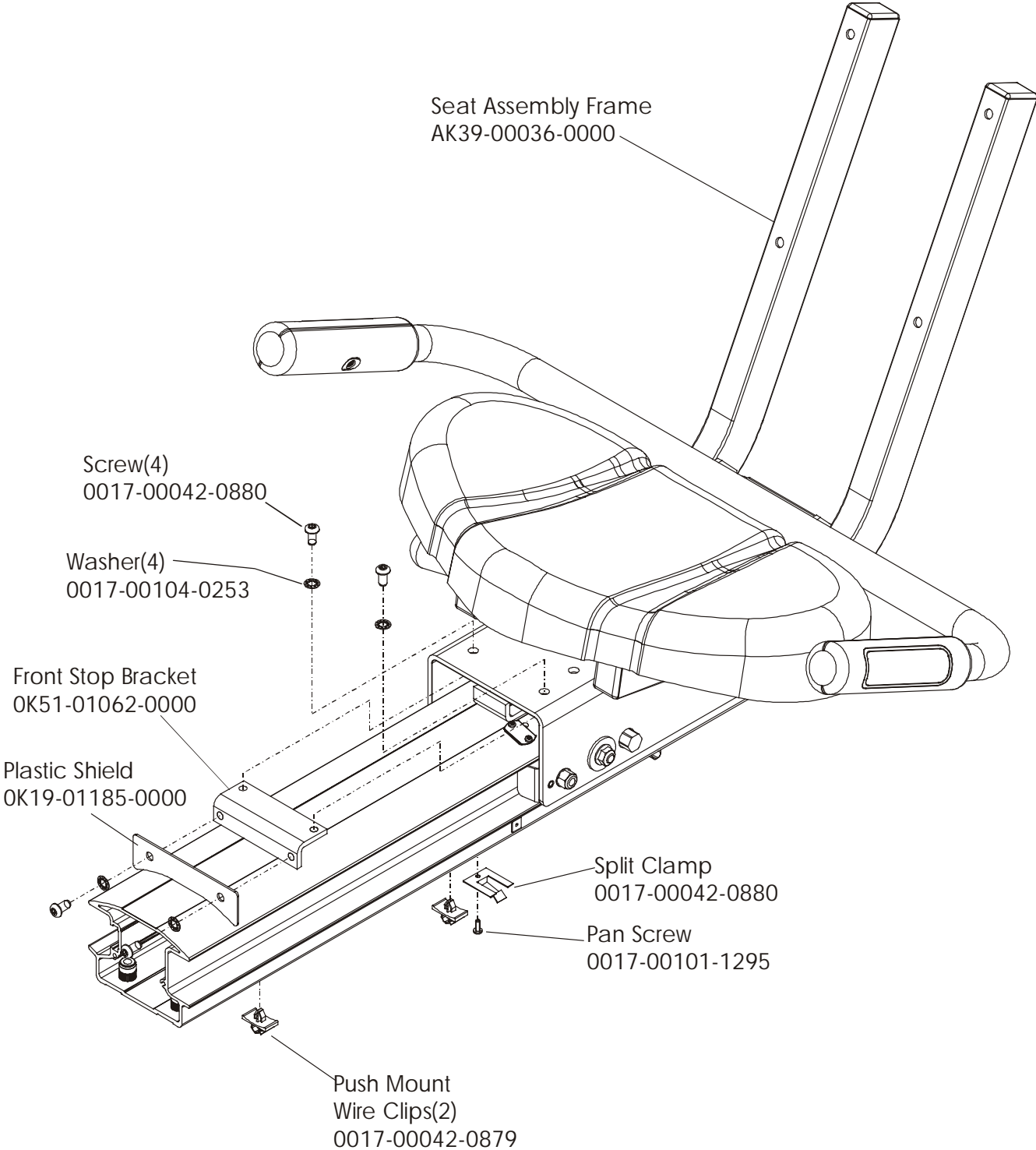
LifeCycle Recumbent Bike - Model LC95R-0100-31 S/N CEF100001

Seat Assembly - Bottom



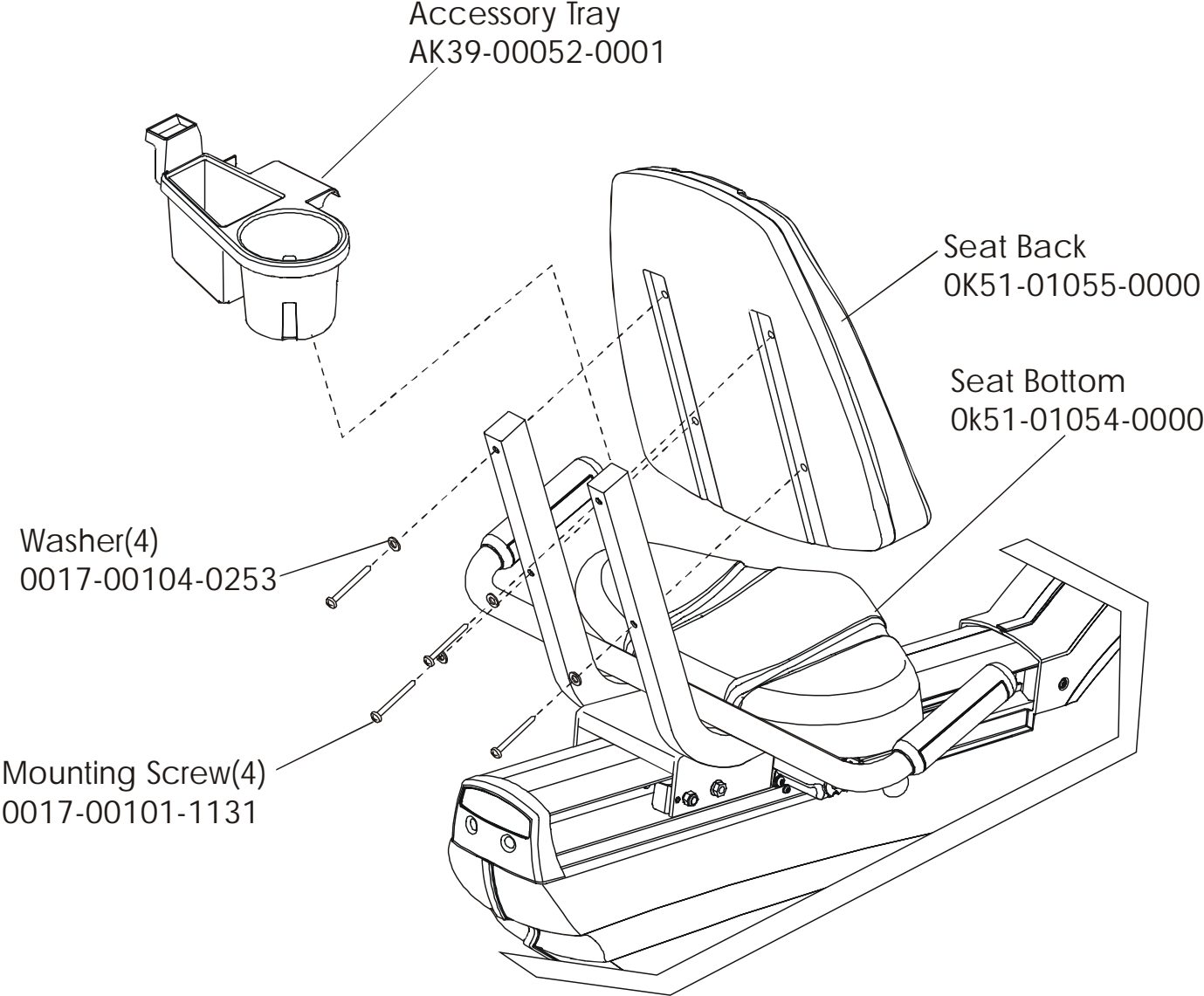
LifeCycle Recumbent Bike - Model LC95R-0100-31 S/N CEF100001

Seat Frame Assembly



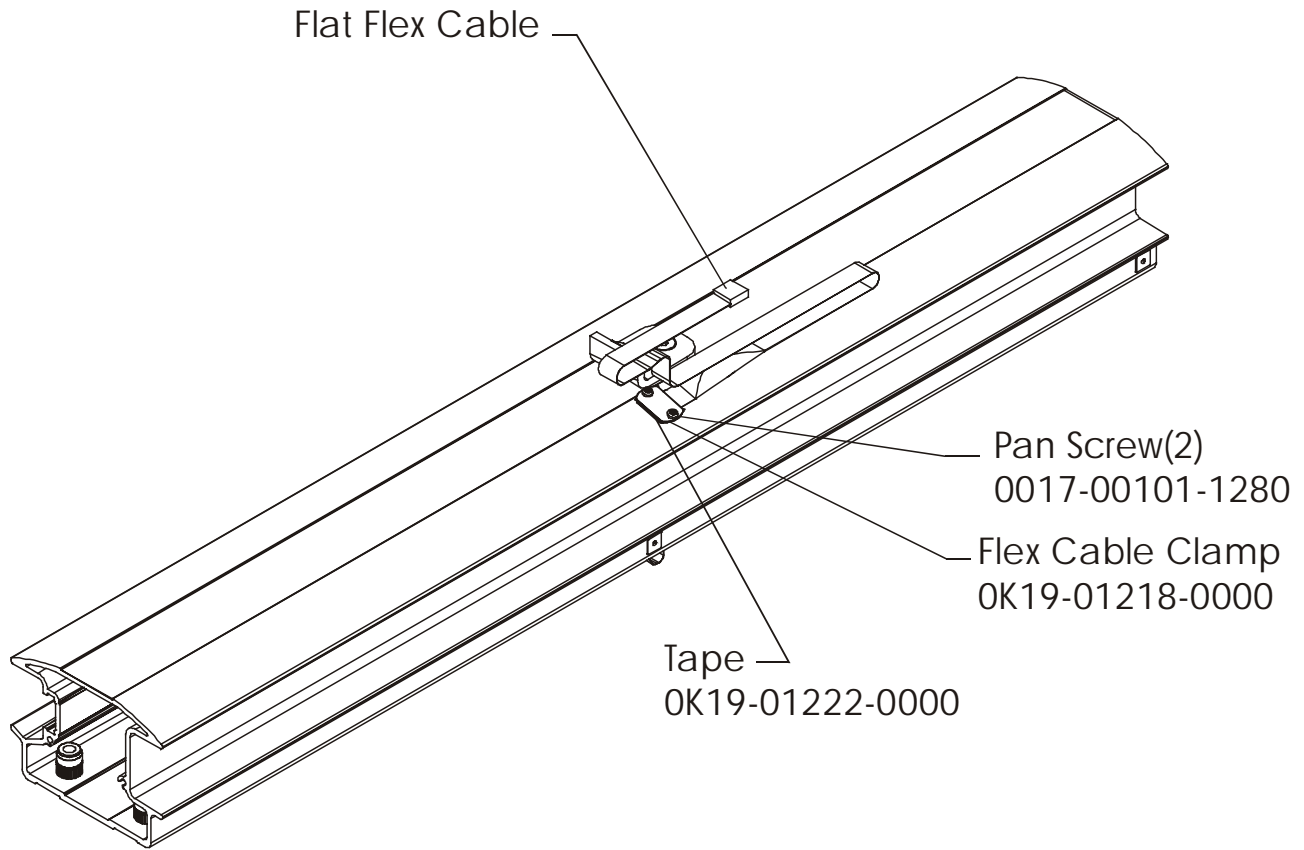
LifeCycle Recumbent Bike - Model LC95R-0100-31 S/N CEF100001

Seat Pads and Accessory Tray



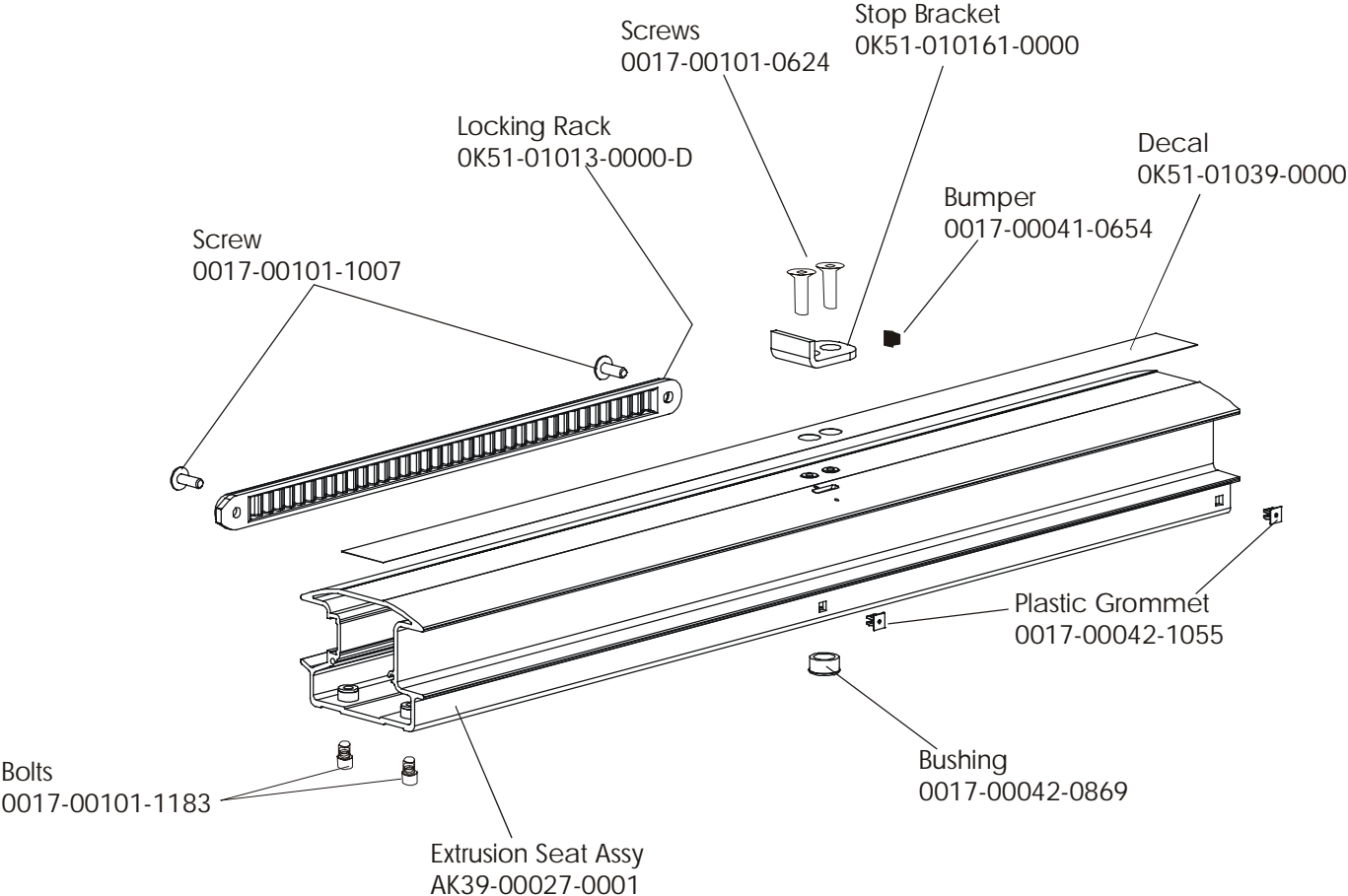
LifeCycle Recumbent Bike - Model LC95R-0100-31 S/N CEF100001

Flat Cable Assembly



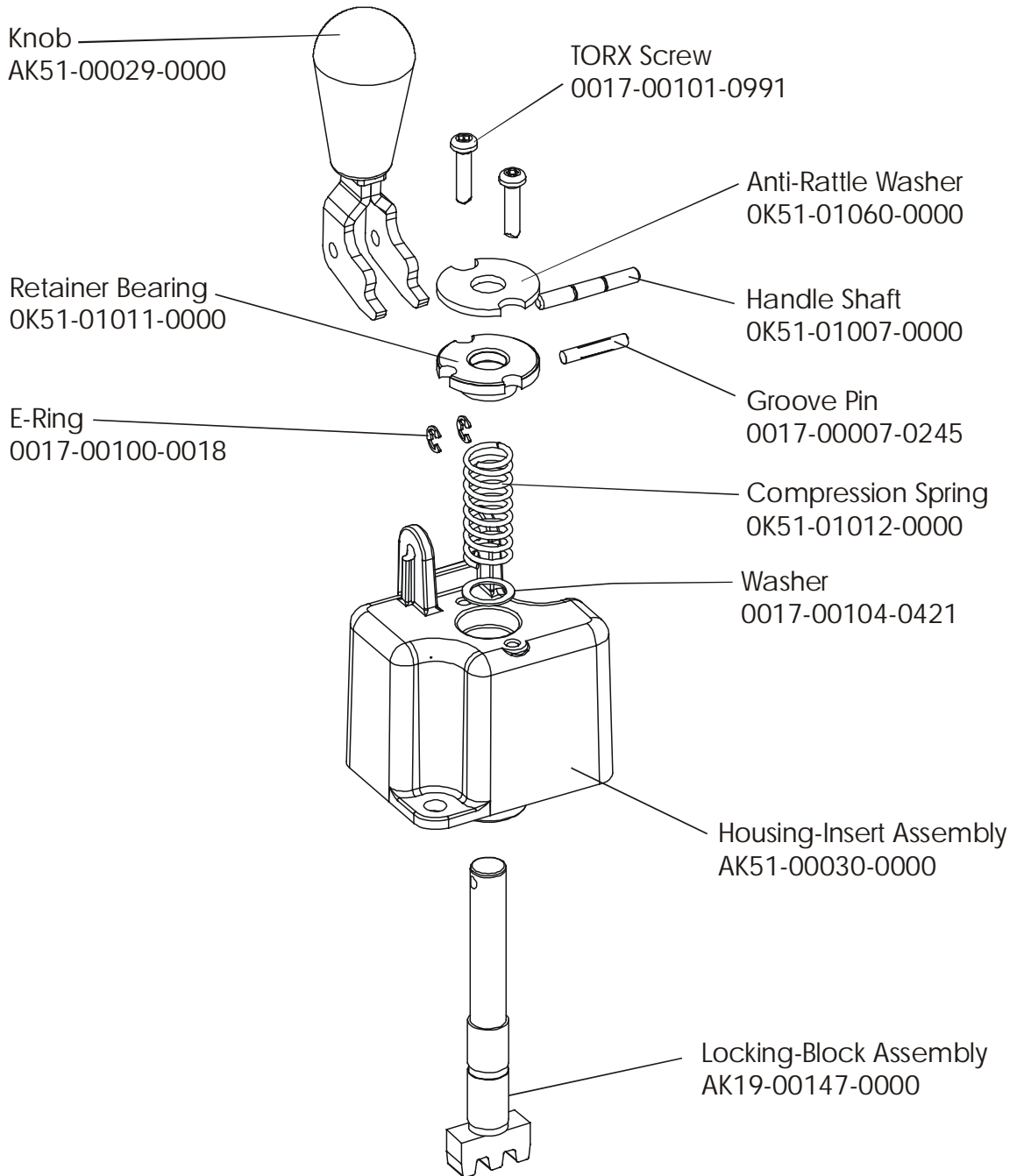
LifeCycle Recumbent Bike - Model LC95R-0100-31 S/N CEF100001

Extrusion Assembly



LifeCycle Recumbent Bike - Model LC95R-0100-31 S/N CEF100001

Lock Assembly AK51-00053-00000



LifeCycle Recumbent Bike - Model LC95R-0100-31 S/N CEF100001

Cable – Block Assembly

