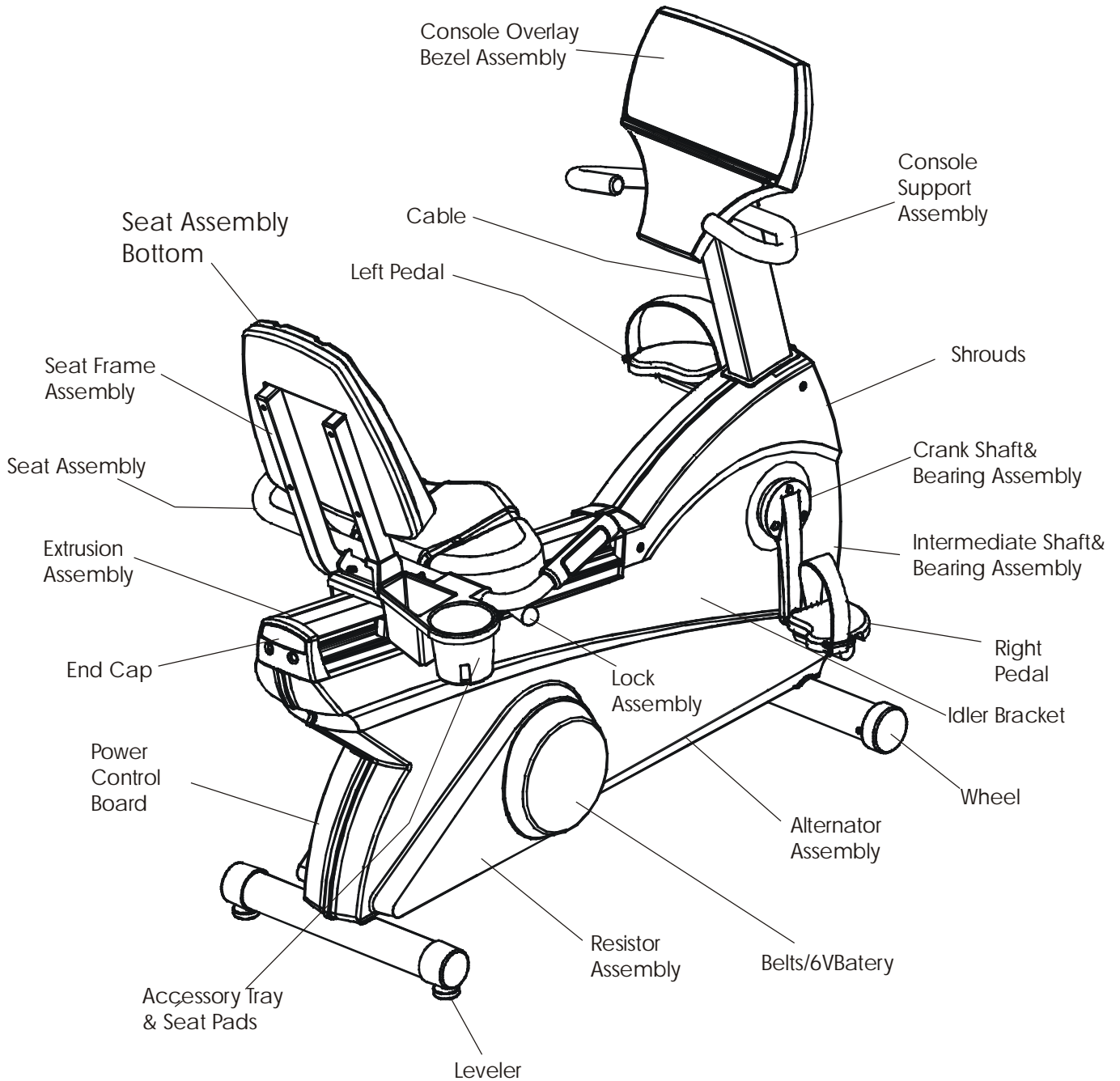


LifeCycle Recumbent Bike - Model LC85R-0100-28 S/N CEH100001

Unit Assembly

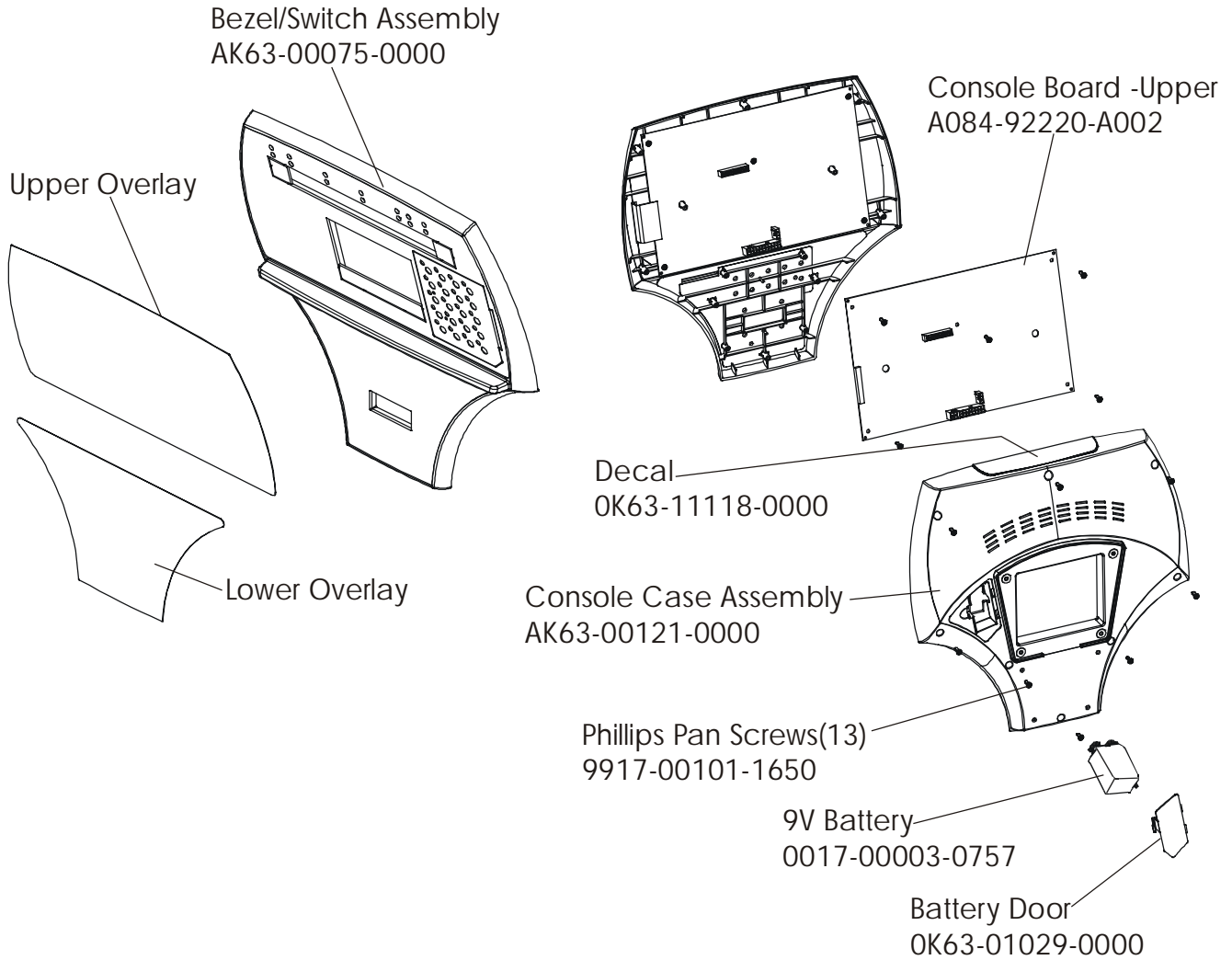


Operation Manual	M051-00K20-A347
Service Manual	M051-00K39-A012

NOTE: Optional Polar Accessory Kit, GK39-00002-0001.

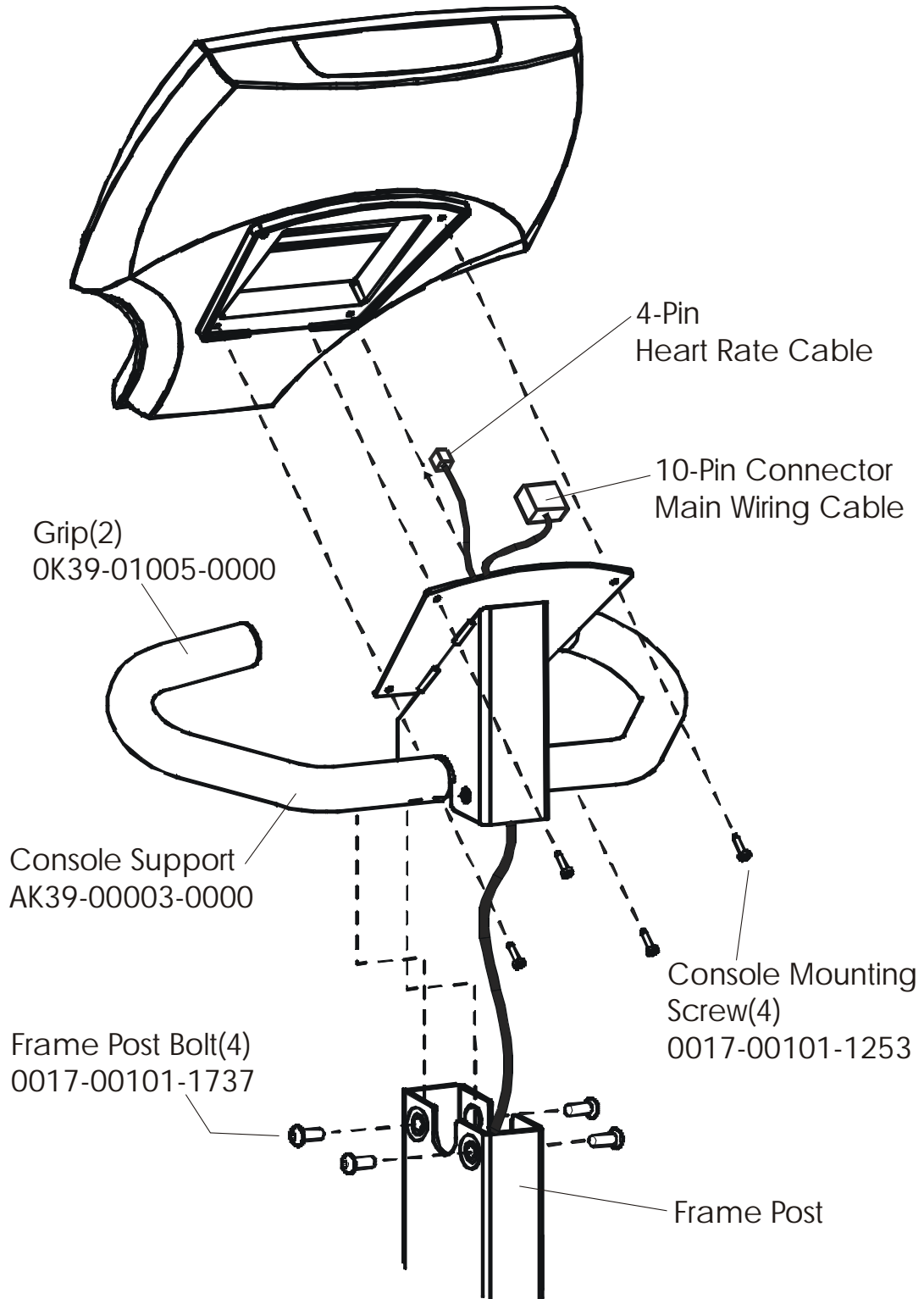
LifeCycle Recumbent Bike - Model LC85R-0100-28 S/N CEH100001

Console Overlay Bezel Assembly



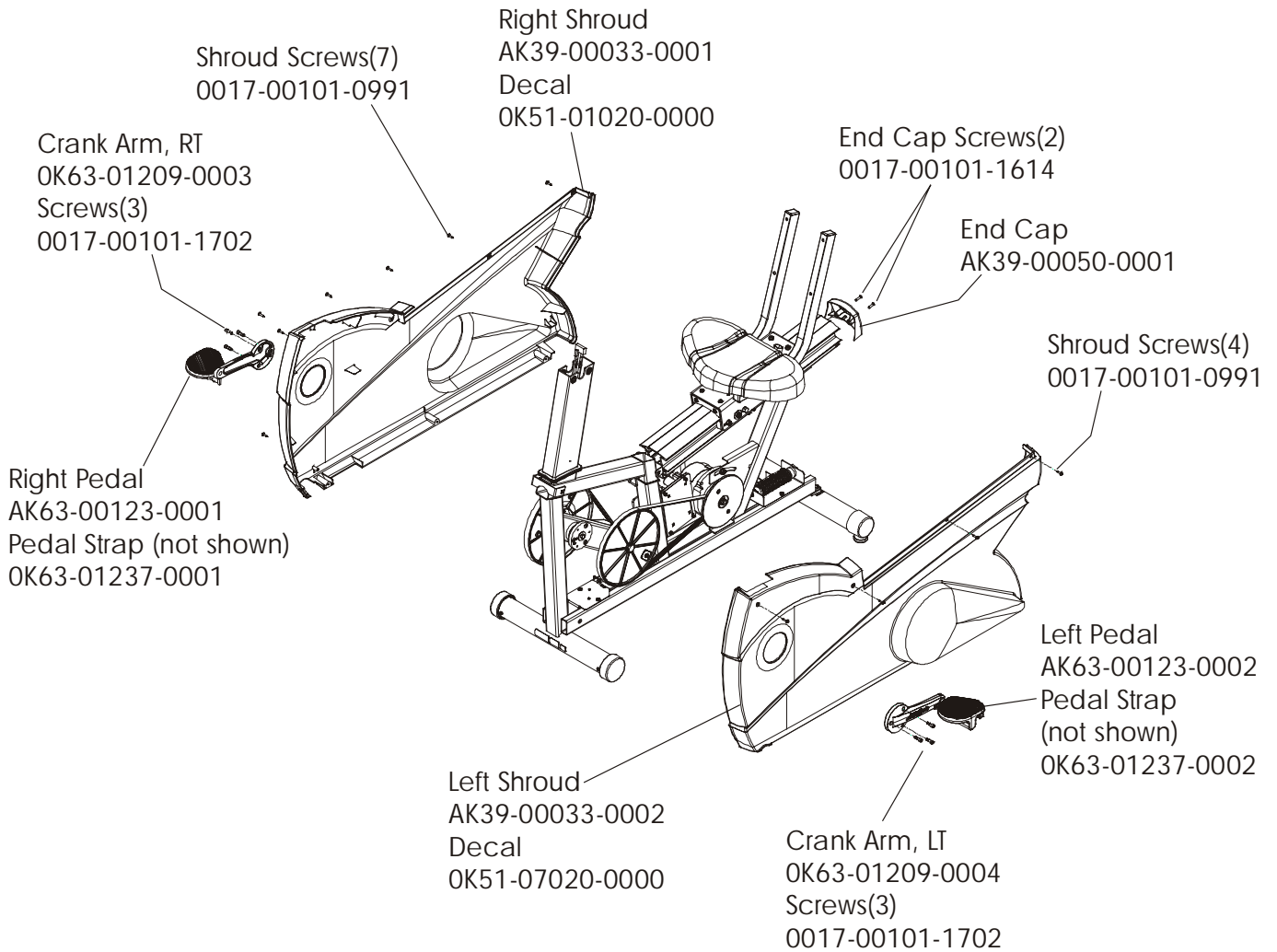
LC8500 Recumbent			
Console Assembly	Overlay Bezel	Upper Overlay	Lower Overlay
AK63-00072-0001 Eng Met	AK63-00080-0001 Eng Met	OK63-01104-0001 Eng Met	OK63-01106-0001 Eng Met
AK63-00072-0003 Ger Met	AK63-00080-0003 Ger Met	OK63-01104-0003 Ger Met	OK63-01106-0003 Ger Met
AK63-00072-0004 Spn Met	AK63-00080-0004 Spn Met	OK63-01104-0004 Spn Met	OK63-01106-0004 Spn Met
AK63-00072-0006 Jap Met	AK63-00080-0006 Jap Met	OK63-01104-0006 Jap Met	OK63-01106-0006 Jap Met
AK63-00072-0007 Frn Met	AK63-00080-0007 Frn Met	OK63-01104-0007 Frn Met	OK63-01106-0007 Frn Met
AK63-00072-0008 Itl Met	AK63-00080-0008 Itl Met	OK63-01104-0008 Itl Met	OK63-01106-0008 Itl Met
AK63-00072-0009 Itl Met	AK63-00080-0009 Itl Met	OK63-01104-0009 Itl Met	OK63-01106-0009 Itl Met
AK63-00072-0010 Por Met	AK63-00080-0010 Por Met	OK63-01104-0010 Por Met	OK63-01106-0010 Por Met

**LifeCycle Recumbent Bike - Model LC85R-0100-28 S/N
CEH100001
Console Support Assembly**

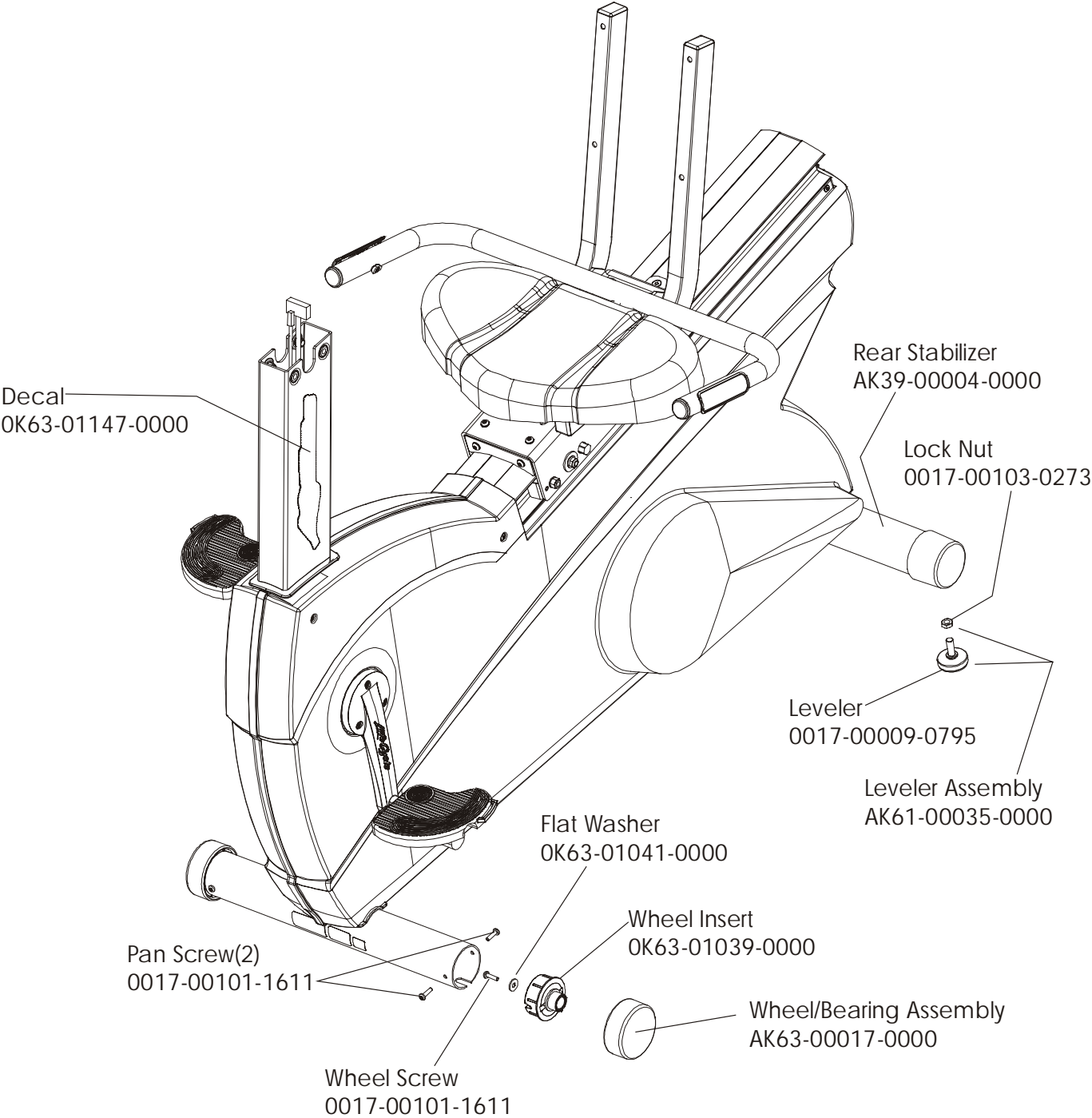


LifeCycle Recumbent Bike - Model LC85R-0100-28 S/N CEH100001

Shrouds, End Cap, and Pedals

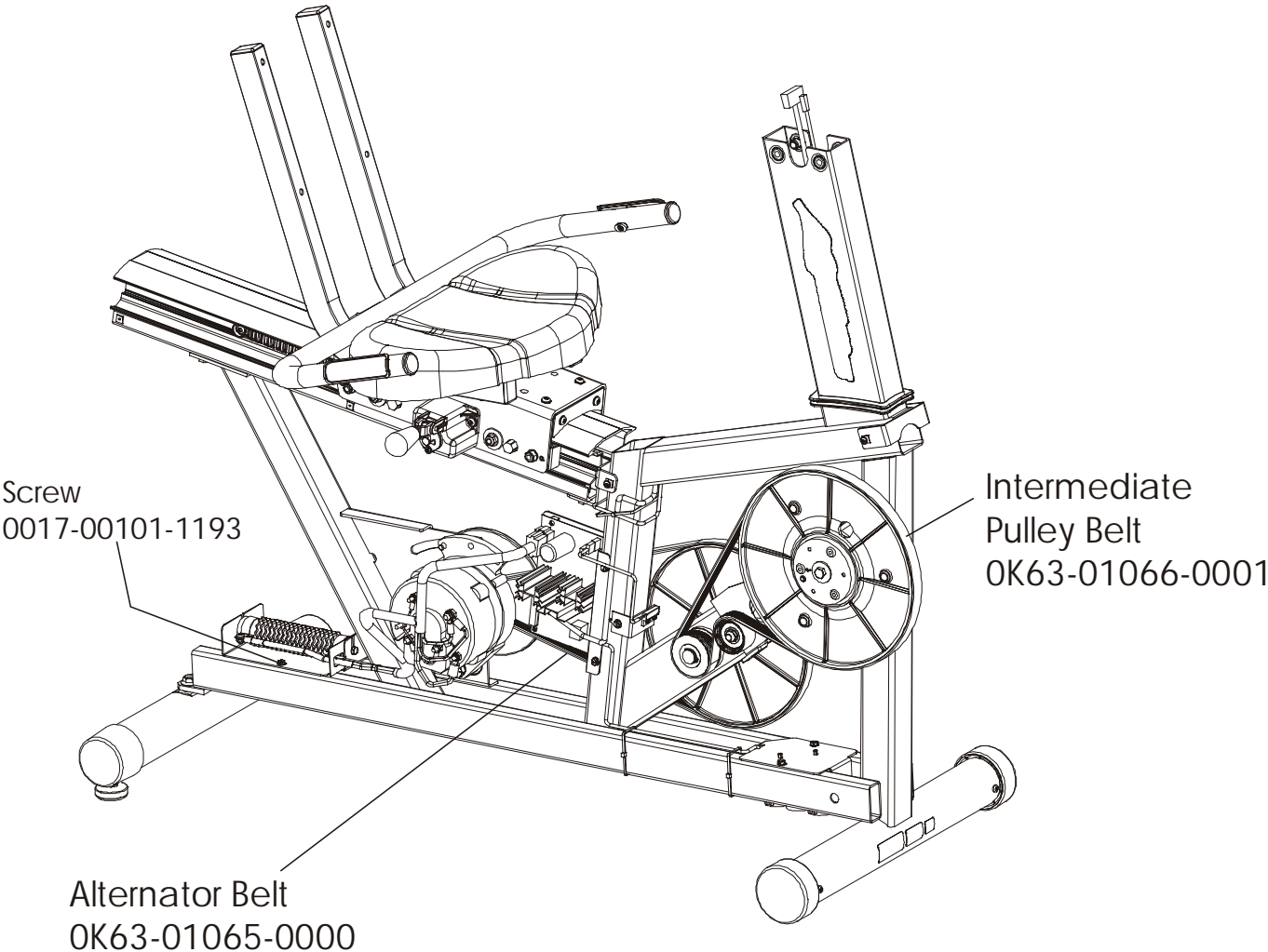


Wheel and Leveler

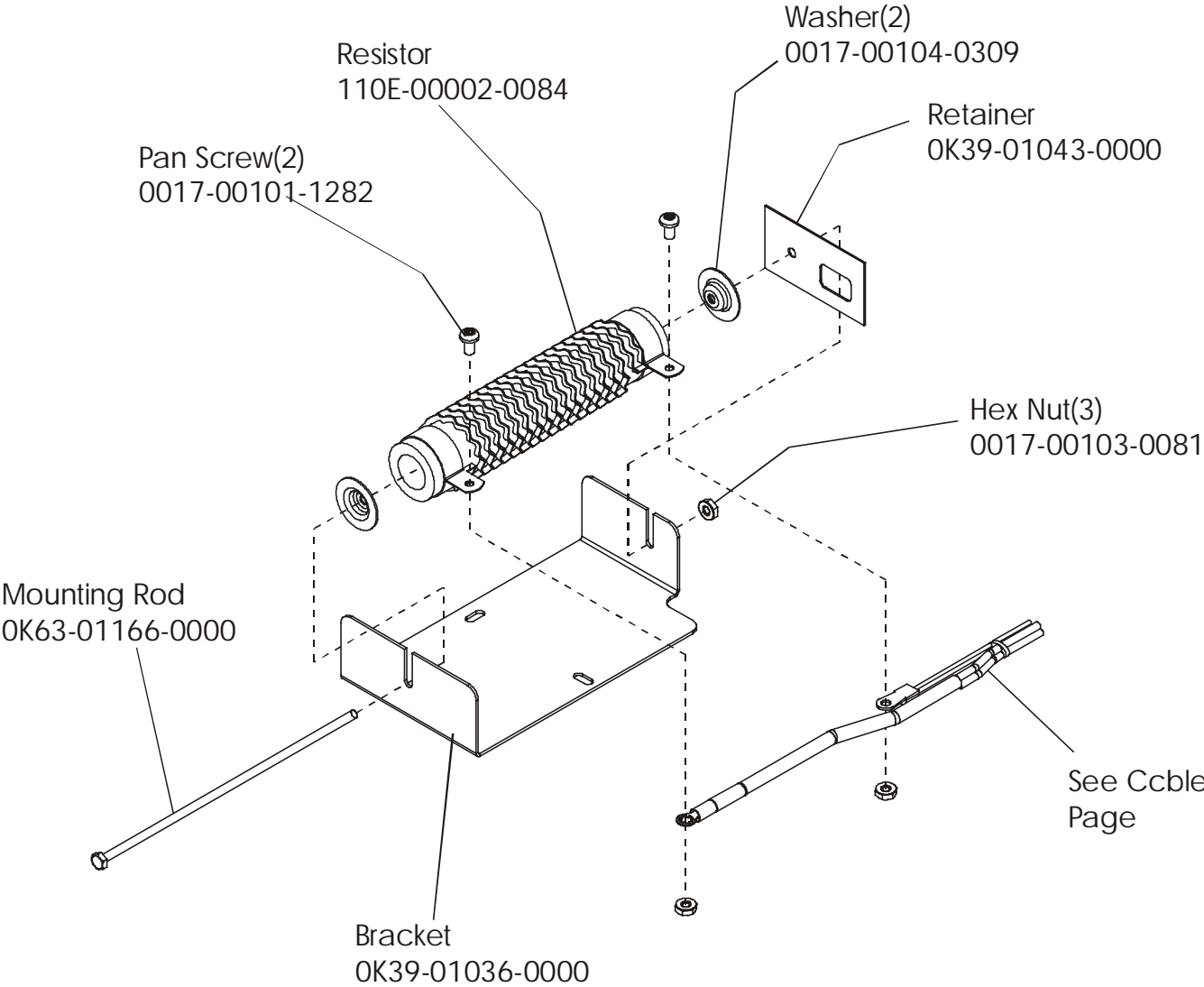


LifeCycle Recumbent Bike - Model LC85R-0100-28 S/N CEH100001

Belts and 6V Battery

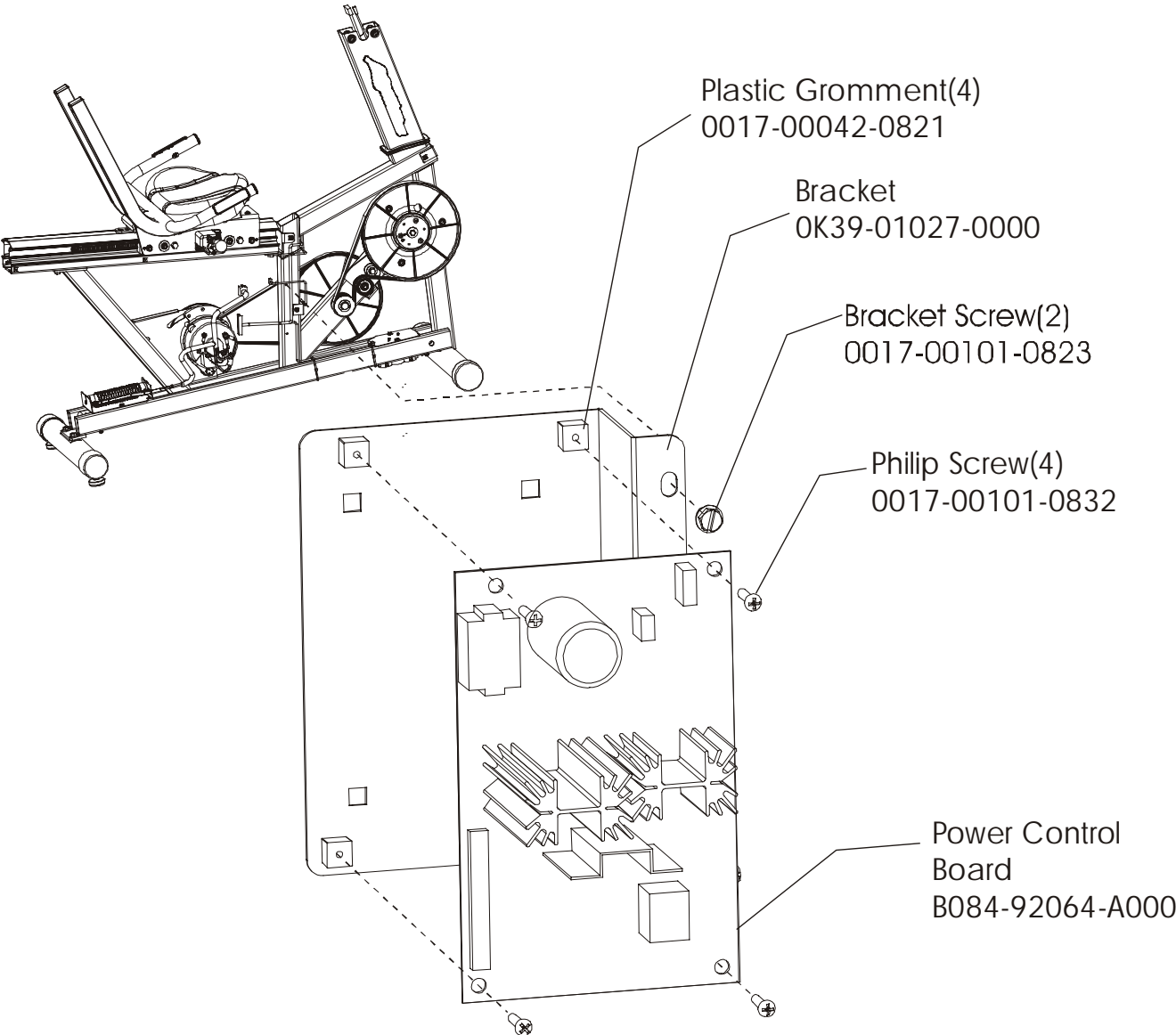


Resistor Assembly



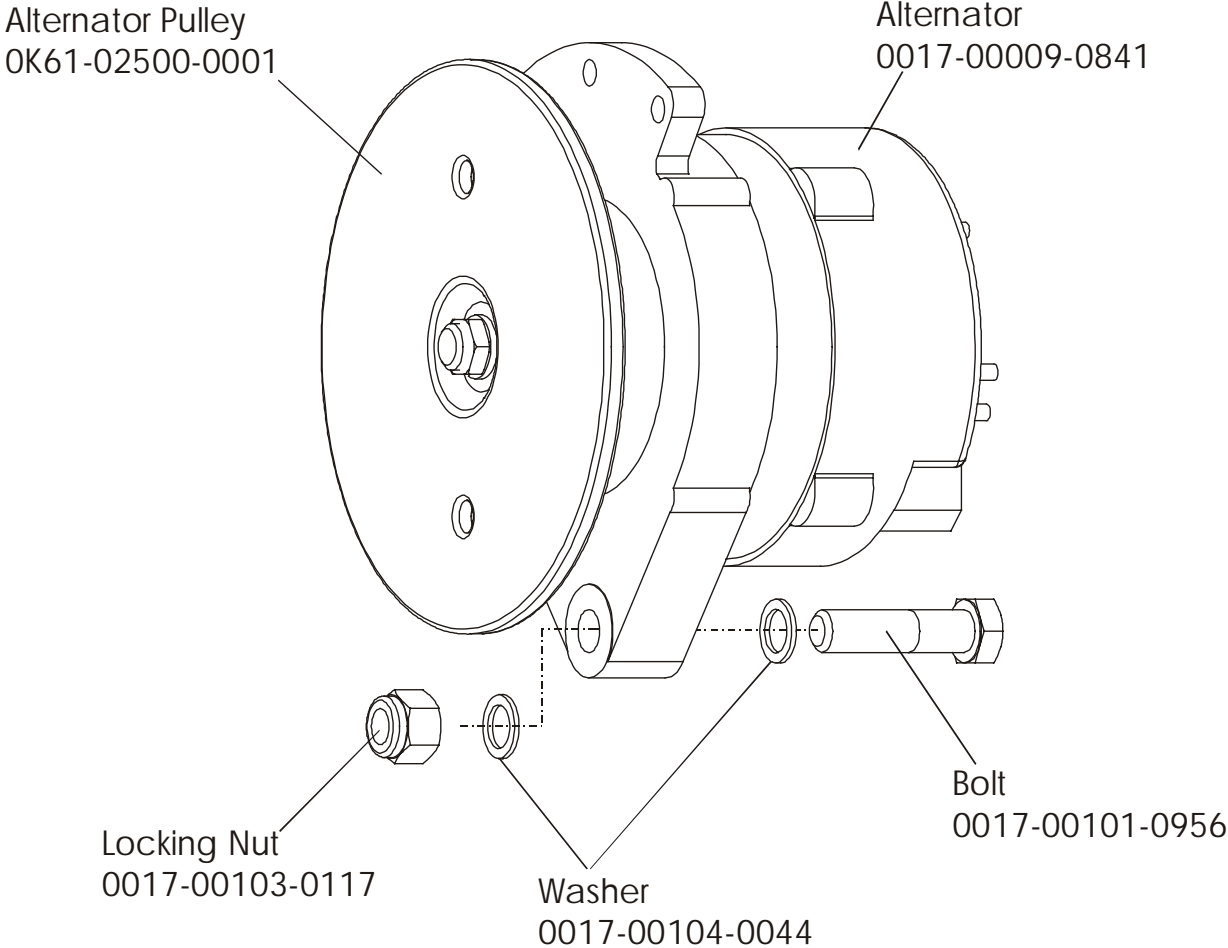
LifeCycle Recumbent Bike - Model LC85R-0100-28 S/N CEH100001

Power Control Board



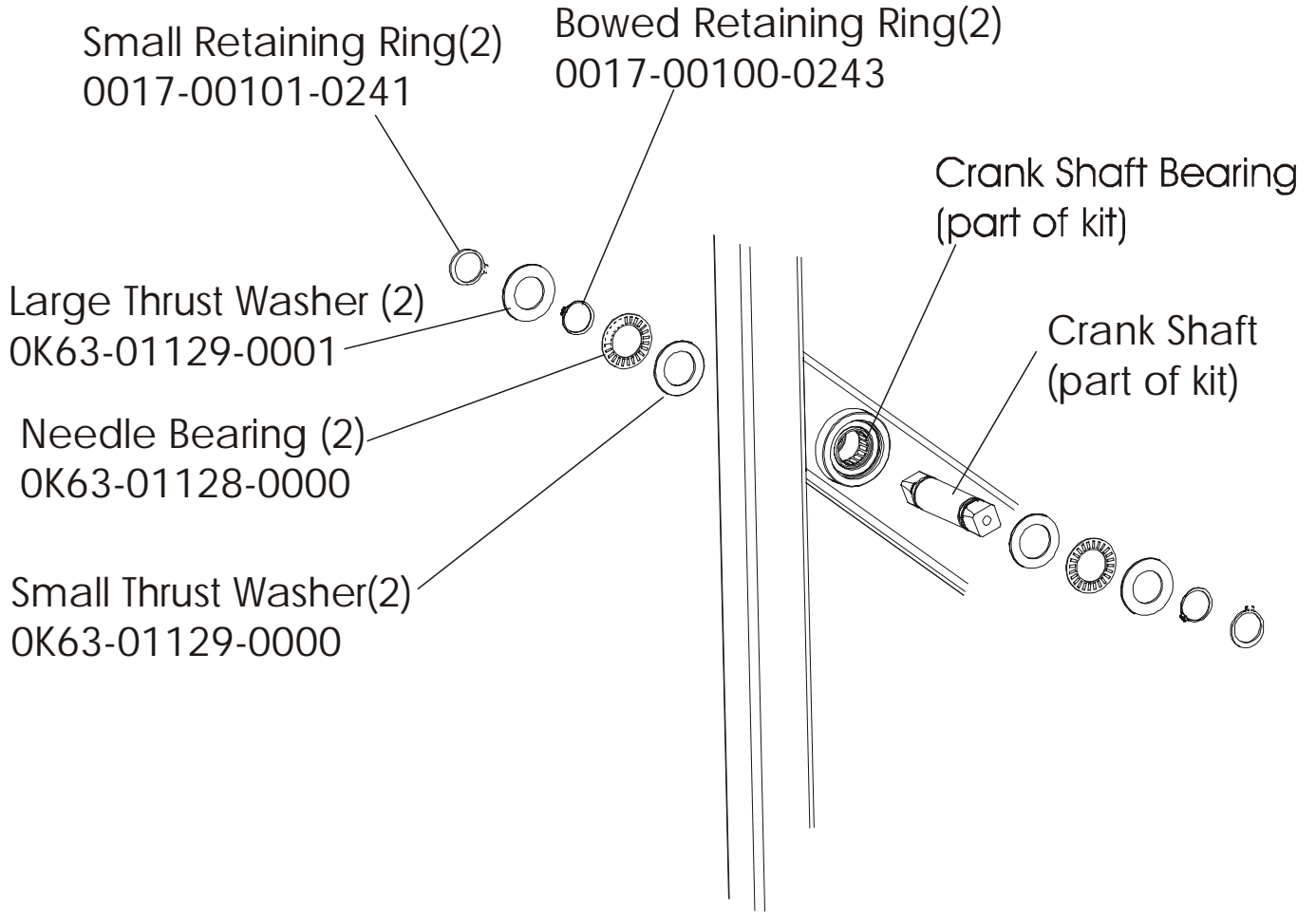
LifeCycle Recumbent Bike - Model LC85R-0100-28 S/N CEH100001

Alternator w/Pulley - AK63-00093-0000



LifeCycle Recumbent Bike - Model LC85R-0100-28 S/N CEH100001

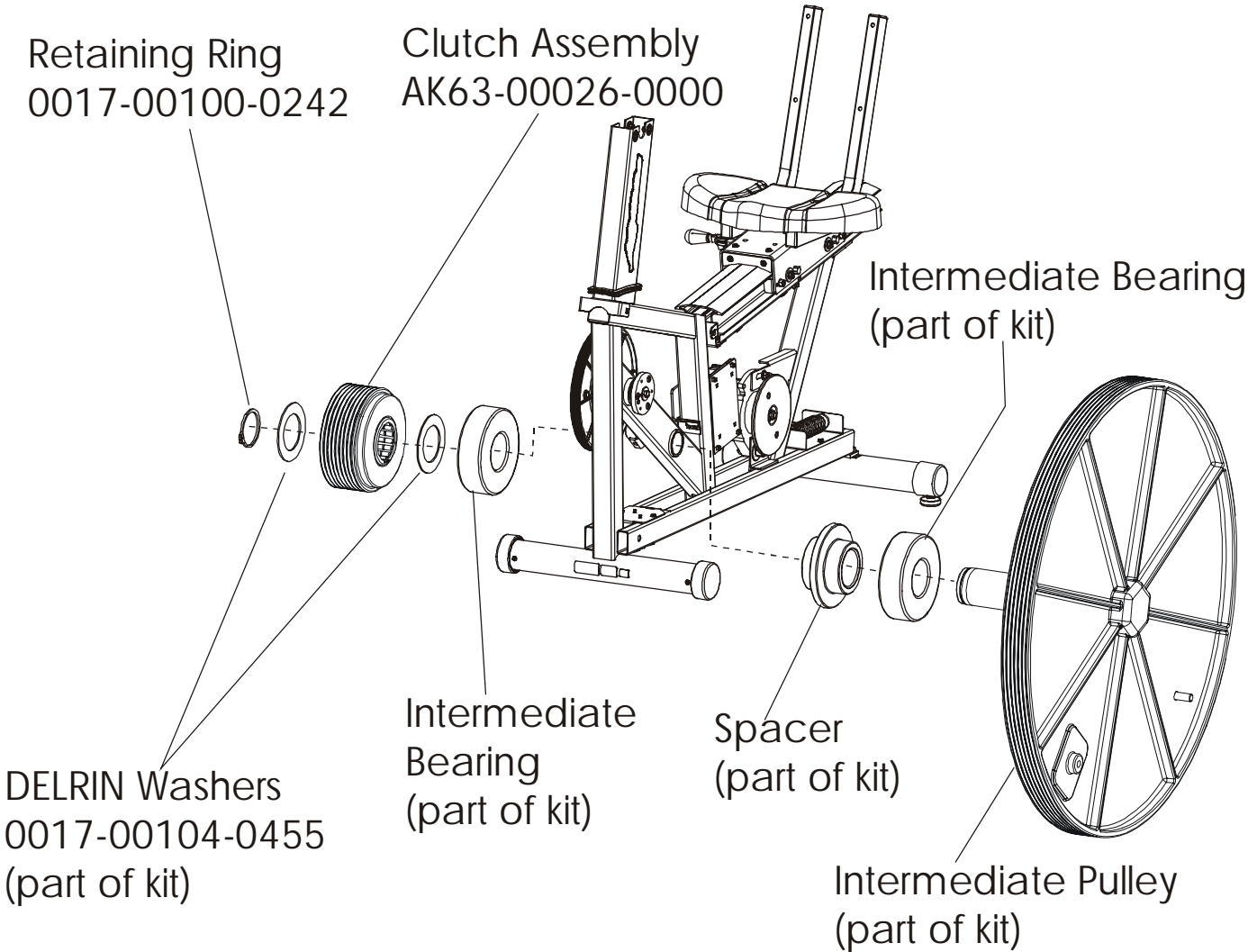
Crank Shaft and Bearing Assembly – GK63-00002-0006 Kit



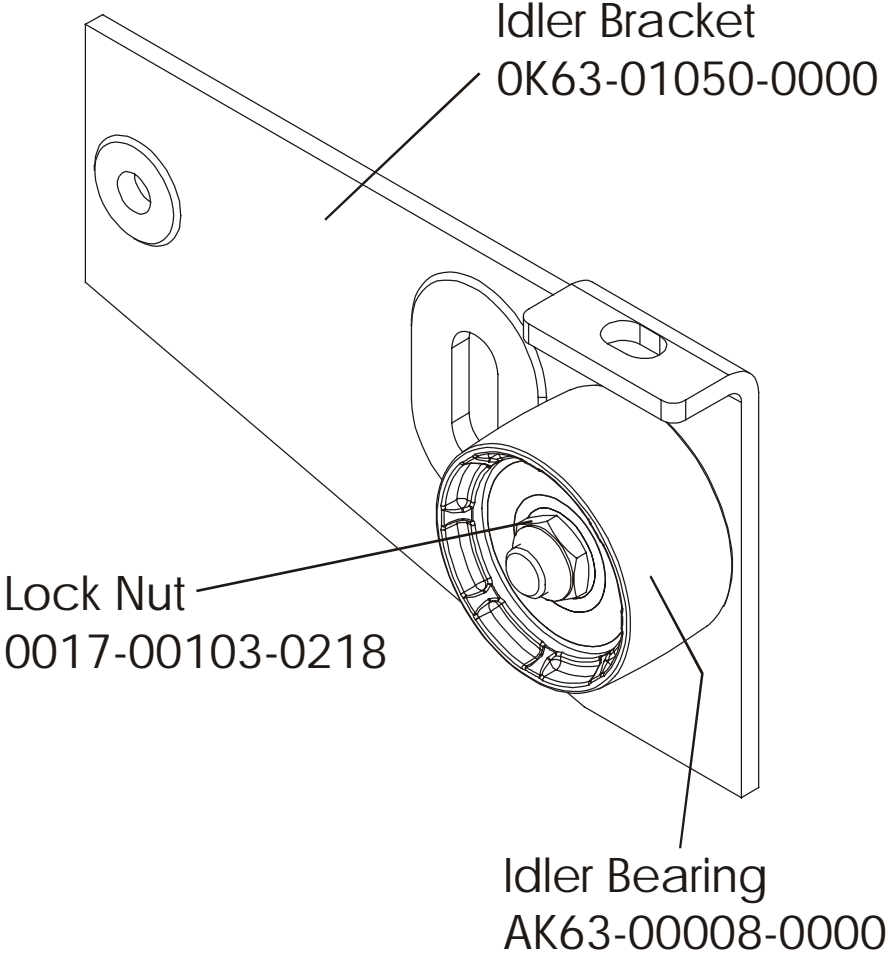
Note: All parts on this page are included in Kit #GK63-00002-0006

LifeCycle Recumbent Bike - Model LC85R-0100-28 S/N CEH100001

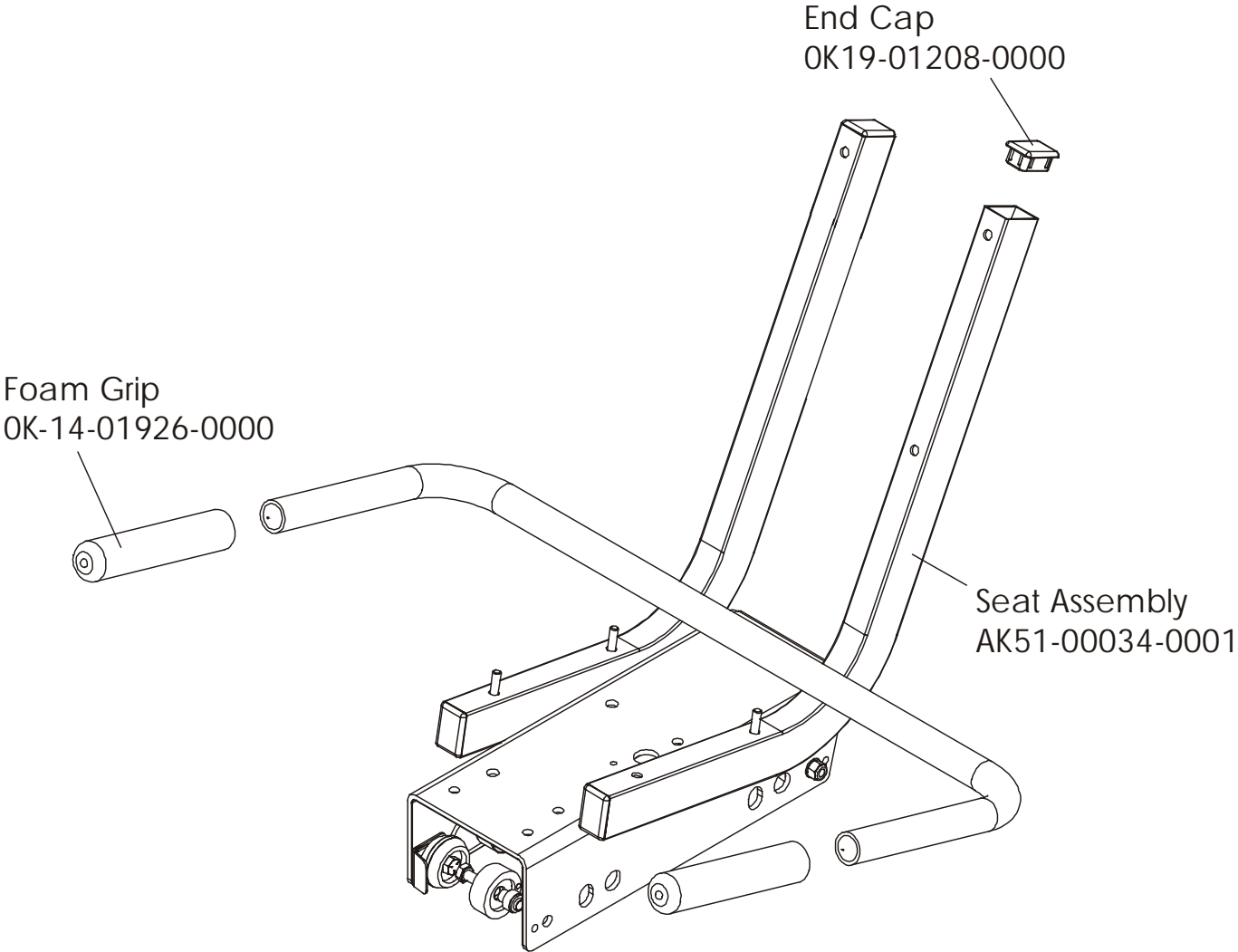
Intermediate Shaft and Bearing Assembly – GK63-00002-0007 Kit



Idler Bracket Assembly – AK63-00021-0000

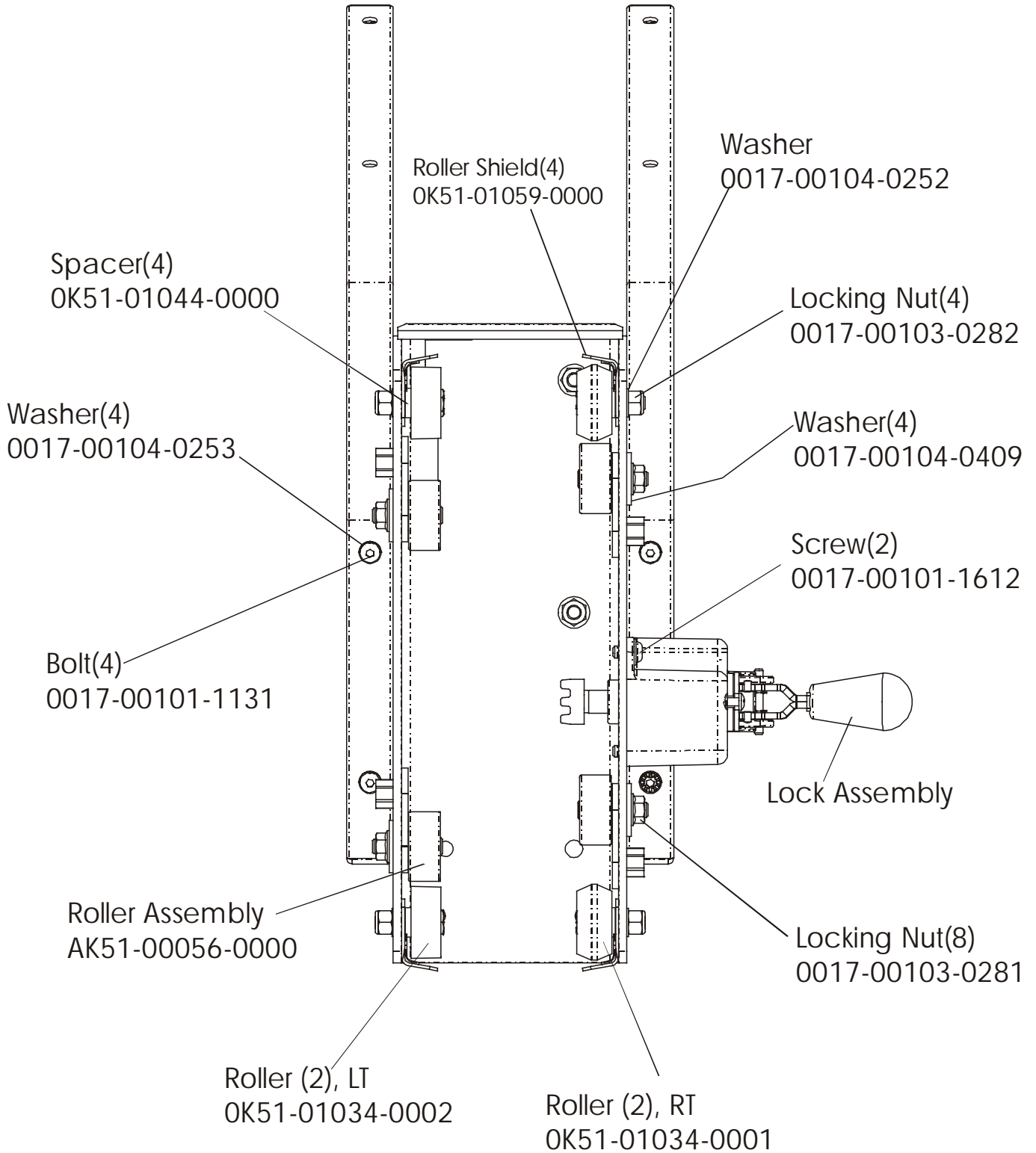


Seat Assembly

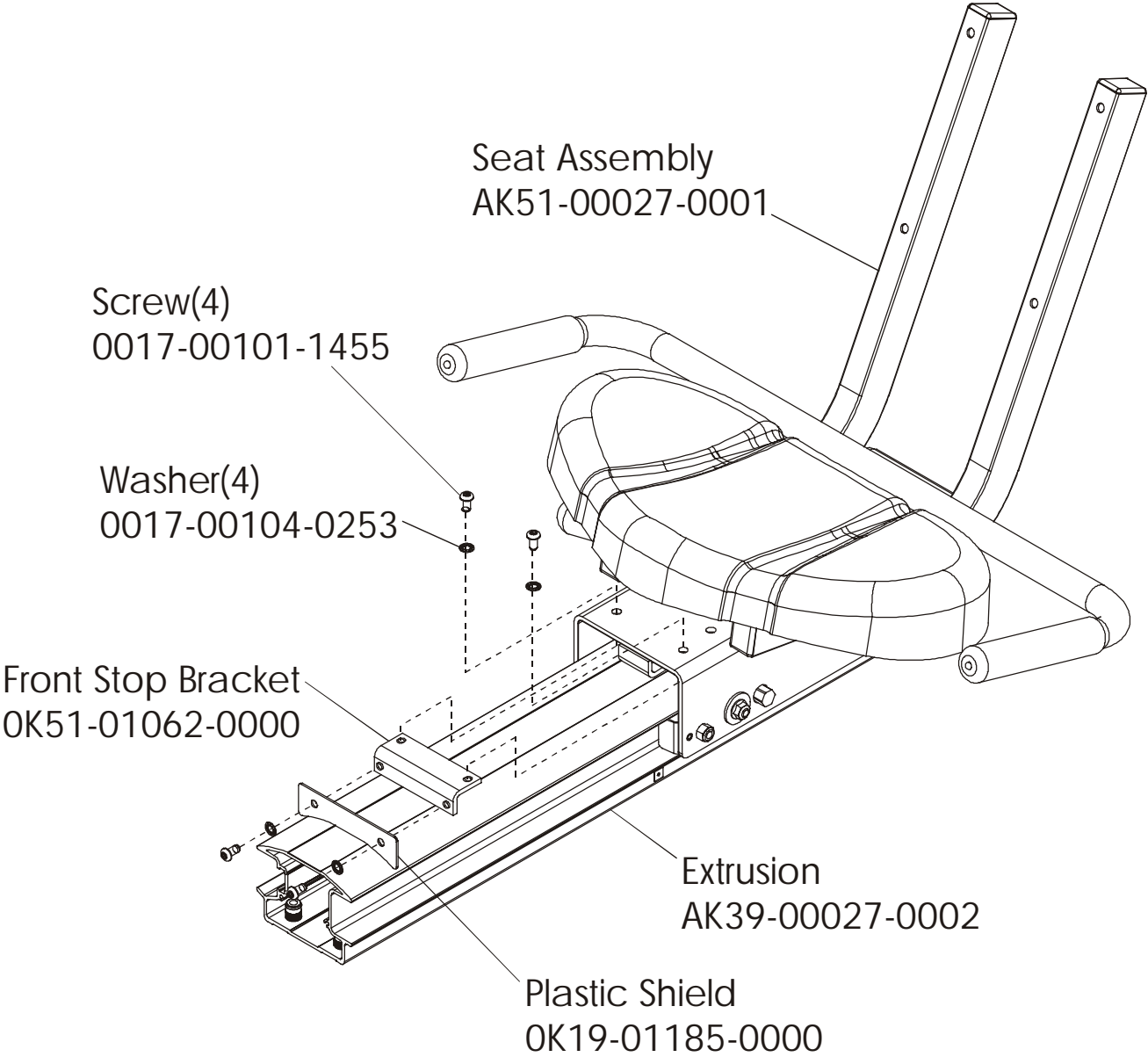


LifeCycle Recumbent Bike - Model LC85R-0100-28 S/N CEH100001

Seat Assembly - Bottom

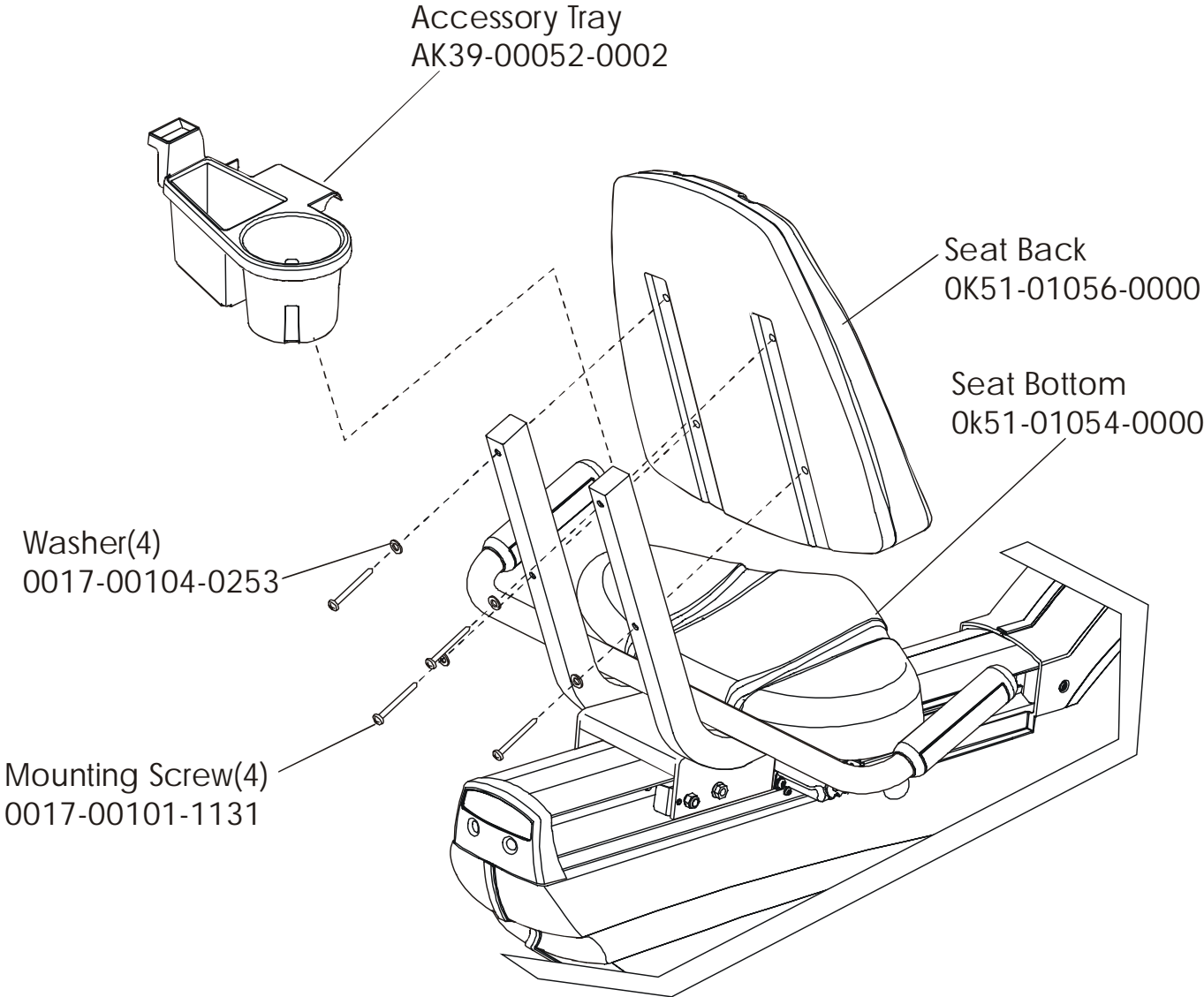


Seat Frame Assembly



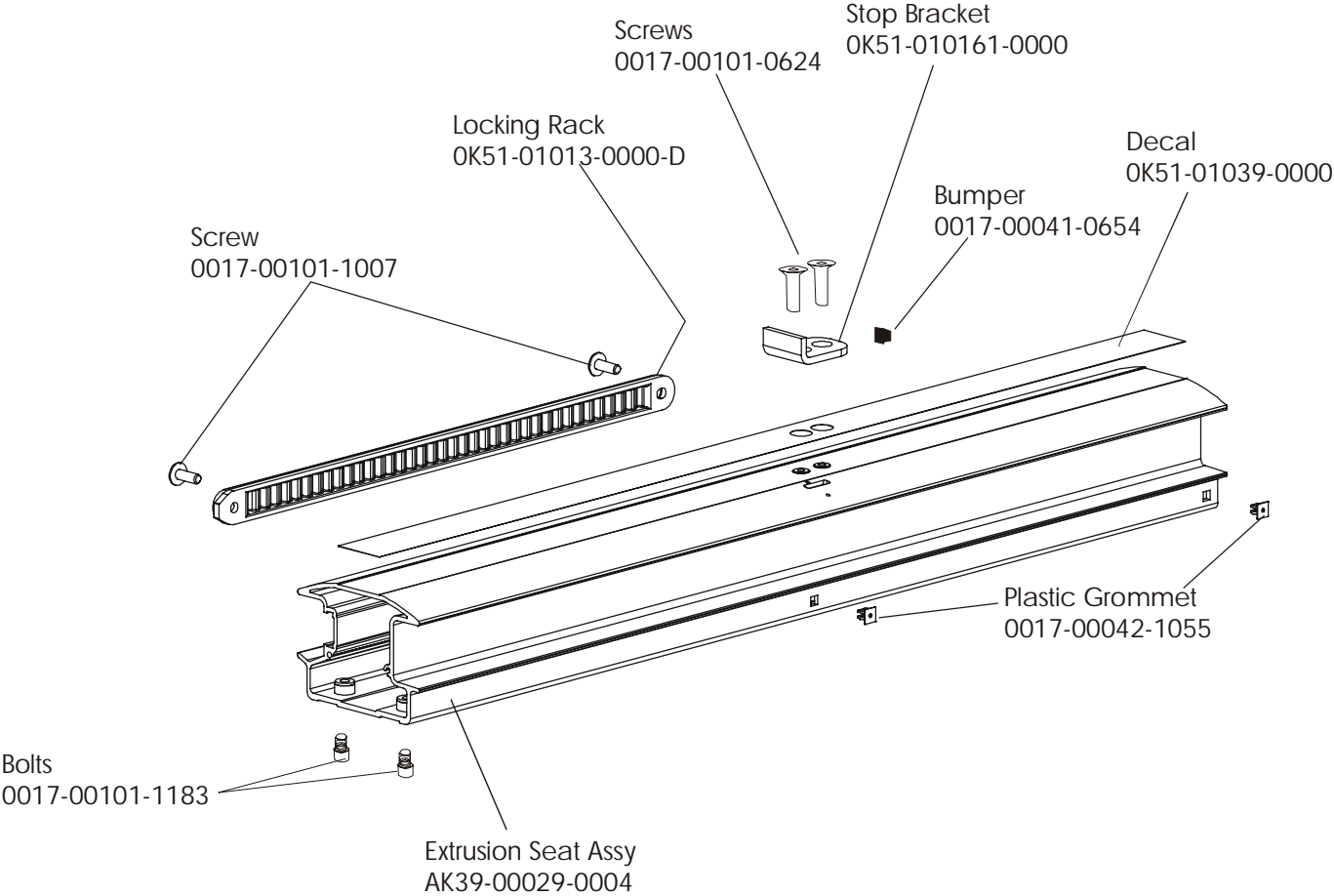
LifeCycle Recumbent Bike - Model LC85R-0100-28 S/N CEH100001

Seat Pads and Accessory Tray



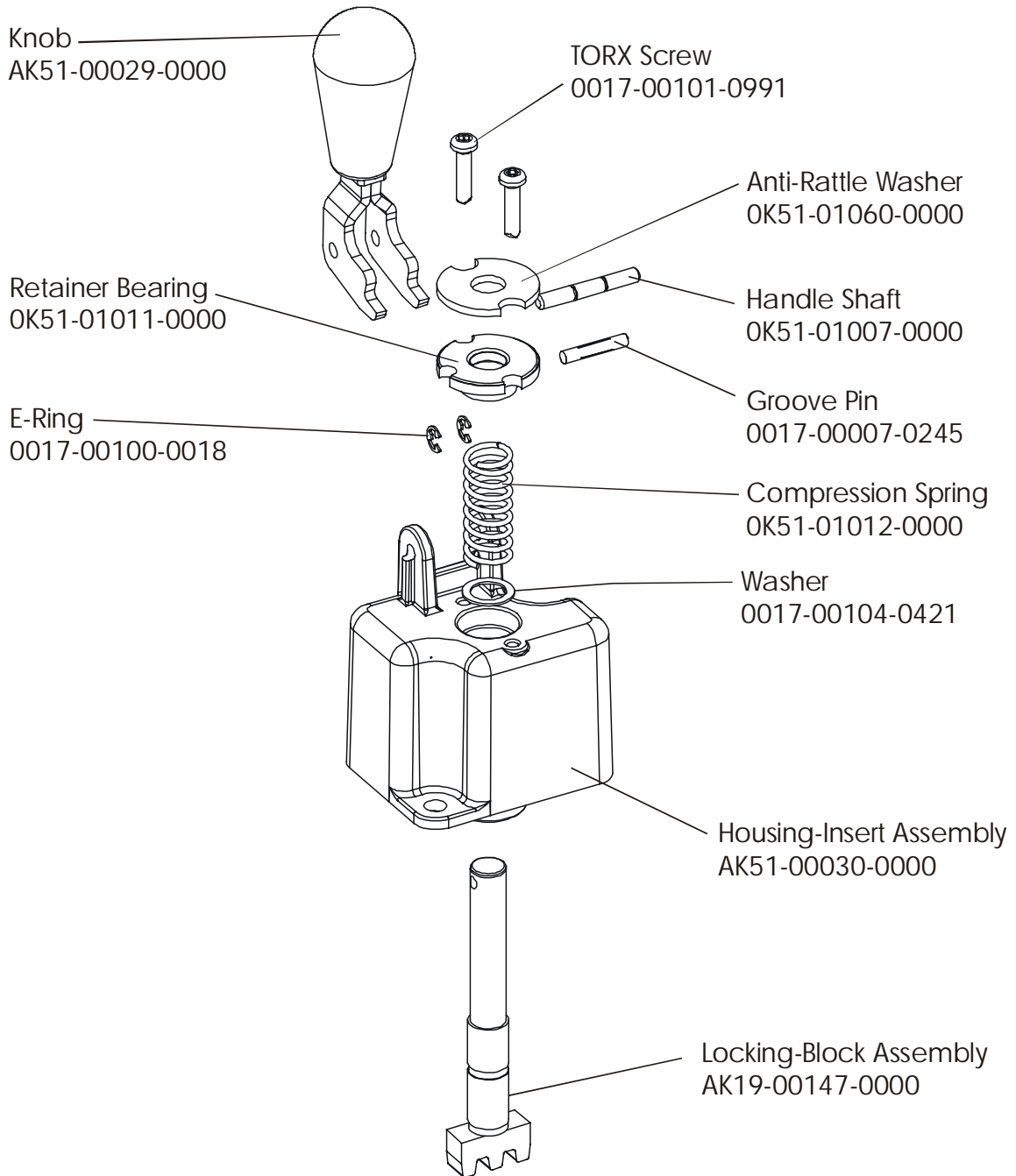
LifeCycle Recumbent Bike - Model LC85R-0100-28 S/N CEH100001

Extrusion Assembly



LifeCycle Recumbent Bike - Model LC85R-0100-28 S/N CEH100001

Lock Assembly AK51-00053-00000



LifeCycle Recumbent Bike - Model LC85R-0100-28 S/N CEH100001

Cable – Block Assembly

