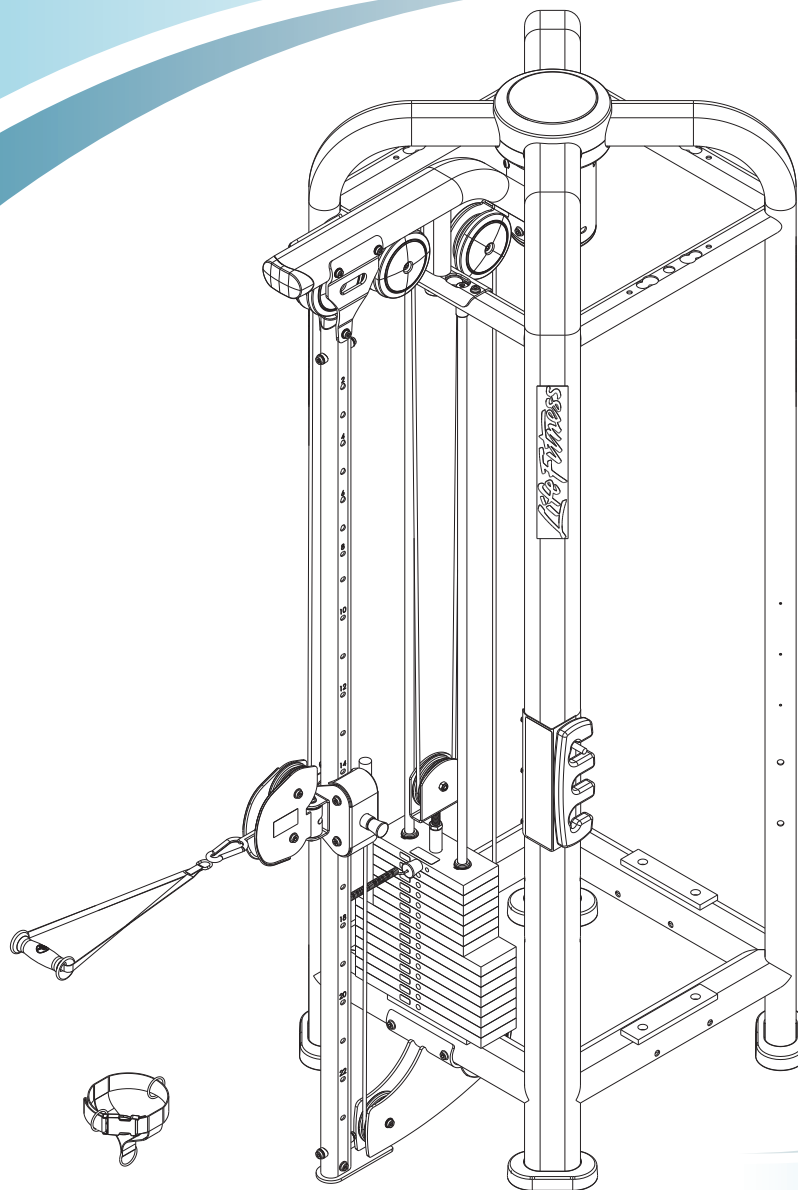


# Signature Series Multi-Jungle Adjustable Pulley

MJAP

SERIAL NUMBER: MJ40908016 & UP  
MJ80908007 & UP  
MJ12S0908002 & UP  
MJ12V0908001 & UP

## Parts List



*Life Fitness*  
WHAT WE LIVE FOR

# MJAP ADJUSTABLE PULLEY CONTENTS

---

FRAME AND UPHOLSTERY COLORS..... 3

MJCORE ASSEMBLY..... 4

COMPONENT ASSEMBLY..... 5

COMPONENT ASSEMBLY LEGEND..... 6

MJAP BOOM ASSEMBLY..... 7

CM/MJ ADJ. PULLEY COLUMN ASSEMBLY..... 8

CM/MJ ADJ. PULLEY CARRIAGE ASSEMBLY..... 9

MJAP BASE SUPPORT ASSEMBLY..... 10

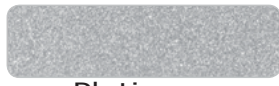
WEIGHT STACK ASSEMBLY..... 11

MJAP CABLE ROUTING GUIDE..... 12

# MJAP ADJUSTABLE PULLEY FRAME AND UPHOLSTERY COLORS

---

## Strength Frame Colors



Platinum



White



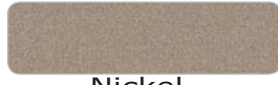
Black



Ice Blue Metallic



Midnight Metallic



Nickel



Blue



Red



Yellow



Candy Apple Red

Note: Include frame color in pick-slip notes when ordering frame assemblies or weldments.

## Strength Upholstery Colors



American Beauty Red 07



Azure 20



Black 01



Cranberry 04



Graphite 22



Hunter Green 13



Regimental Blue 14



Royal Blue 02



Slate 03



Wheat 21



Burgundy 29



Candy Apple Red 28



Chestnut 34



Concord 16



Crocus 19



Dove Gray 37



Emerald 27



Grotto 25



Gun Metal 39



Imperial Blue 33



Jade 26



Navy 32



Northwoods Green 05



Paprika 35



Plum 30



Putty 38



Space Blue 06



Suede 08



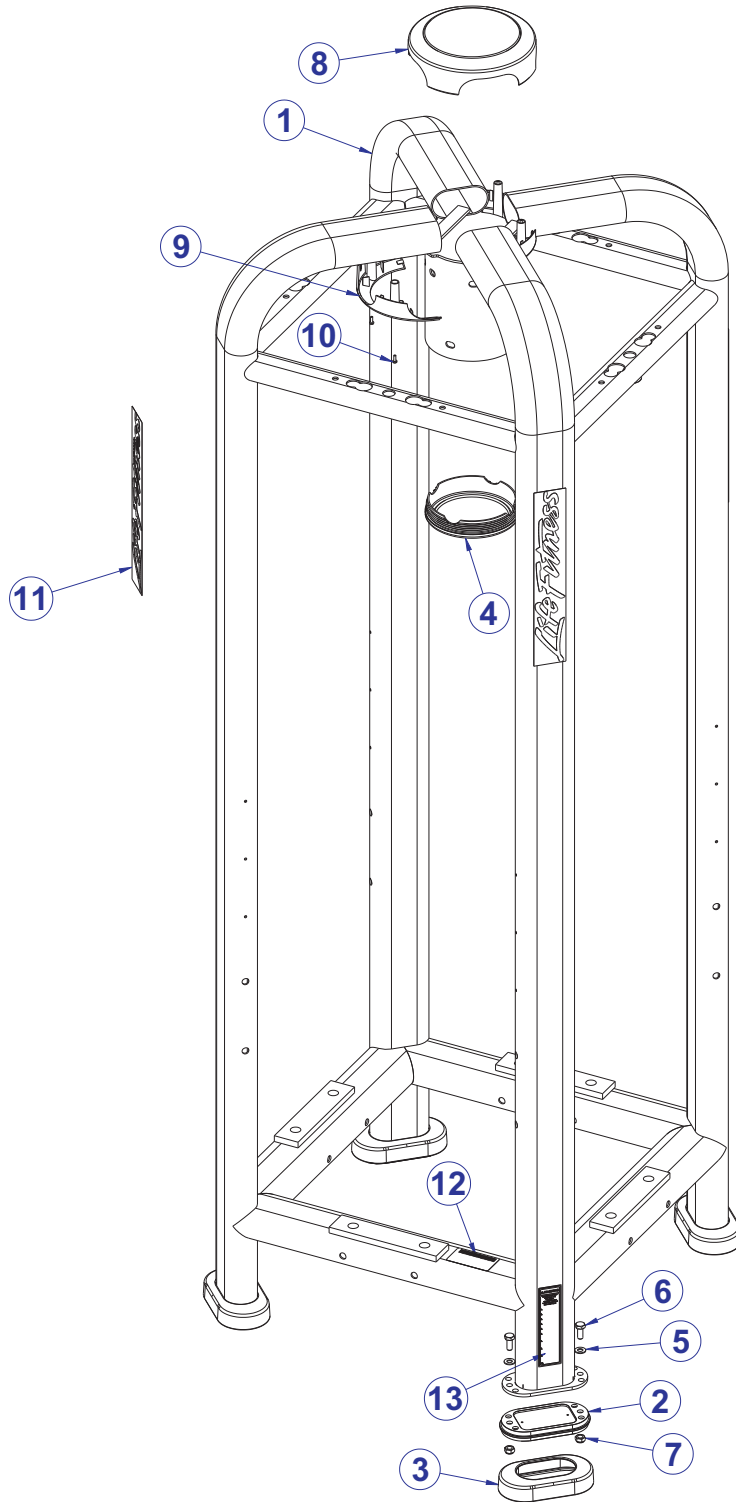
Terra Cotta 36



Turquoise 17

Note: Replace XX with above color suffix when ordering pads (ie. 74123XX = 7412301 Black)  
Use 99 suffix for custom upholstery.

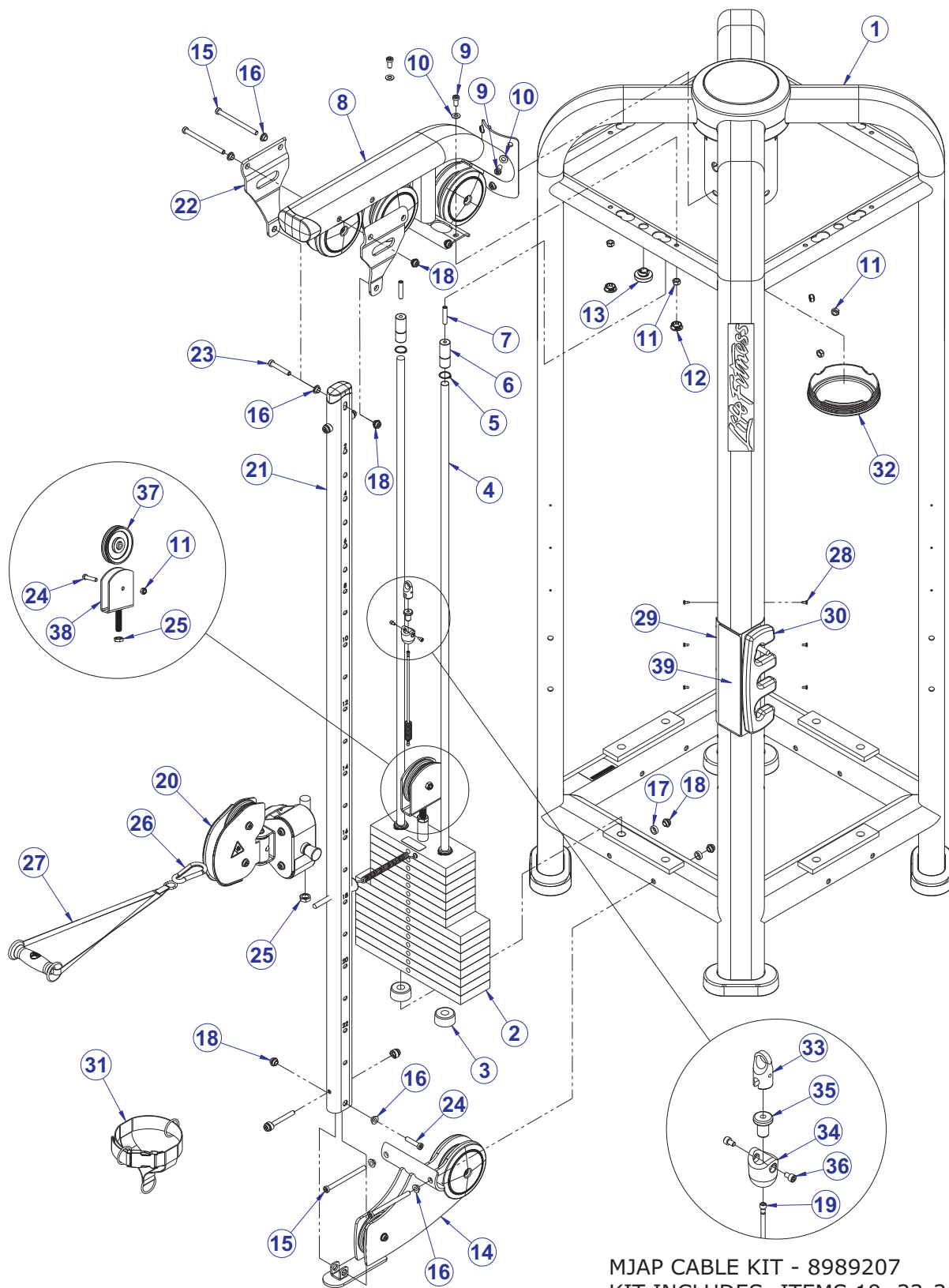
# MJAP ADJUSTABLE PULLEY MJCORE ASSEMBLY



ITEM NO.	QTY.	PART NO.	DESCRIPTION
1	1	7628601	WLDMT, MJCORE
2	4	7334001	FOOT, 2.50 X 4.49 FLOW
3	4	7340201	COVER, FOOT - STRAIGHT
4	1	7640401	COVER, BOTTOM CAP
5	28	3236601	WASHER, 3/8 SAE SS
6	8	3251202	SCREW, M10 X1.5 X 25MM UNS HEX CS ST ZN
7	28	3236801	NUT, M10 HEX NYLOCK SS
8	1	7629201	COVER, CENTER TOP
9	2	7629801	COVER, CENTER BOTTOM
10	4	3236501	M4 X 0.7 PHL PAN MS ST ZN
11	4	7348001	LABEL, LIFE FITNESS LOGO

ITEM NO.	QTY.	PART NO.	DESCRIPTION
12	1	7571301	LABEL, SERIAL NUMBER, BLANK
13	1	8220001	LABEL, ASTM, SELECT VERT-ENGLISH
		8220002	LABEL, ASTM, SELECT VERT-GERMAN
		8220003	LABEL, ASTM, SELECT VERT-FRENCH
		8220004	LABEL, ASTM, SELECT VERT-SPANISH
		8220005	LABEL, ASTM, SELECT VERT-ITALIAN
		8220006	LABEL, ASTM, SELECT VERT-DUTCH
		8220007	LABEL, ASTM, SELECT VERT-JAPANESE
		8220008	LABEL, ASTM, SELECT VERT-PORTUGUESE
		8220010	LABEL, ASTM, SELECT VERT-RUSSIAN
		8220011	LABEL, ASTM, SELECT VERT-TURKISH

# MJAP ADJUSTABLE PULLEY COMPONENT ASSEMBLY



MJAP CABLE KIT - 8989207  
 KIT INCLUDES: ITEMS 19, 33-36  
 (CABLE ALONE (19): 8946907)

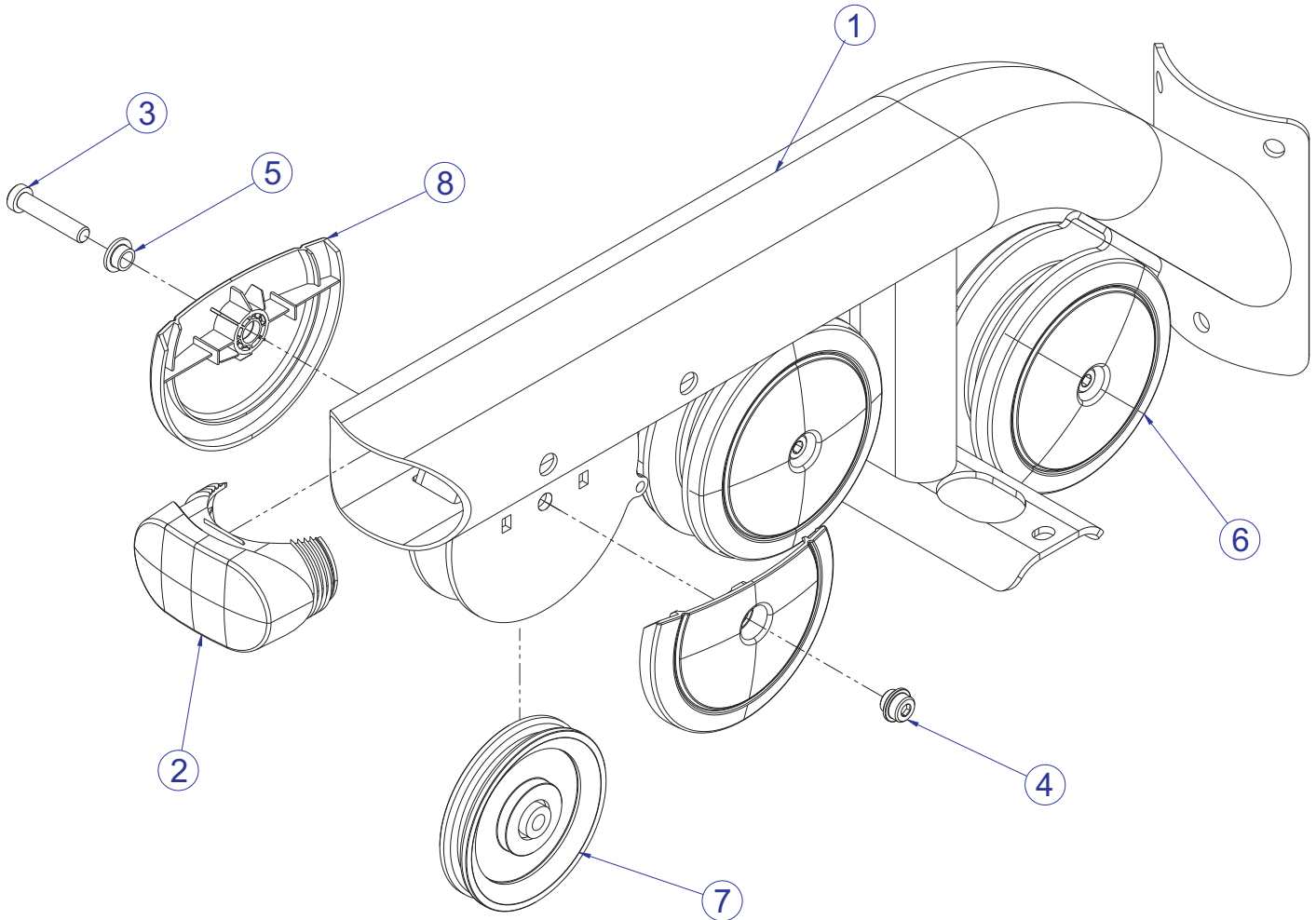
SEE PAGE 6 FOR LEGEND

# MJAP ADJUSTABLE PULLEY COMPONENT ASSEMBLY LEGEND

ITEM NO.	QTY.	PART NO.	DESCRIPTION	FRAME COLOR
1	1	MJCORE-ASSY	ASSY, COMPONENTS MJCORE	ANY
2	1	7647501	ASSY, 190LB STACK	-
3	2	7352101	CUSHION, WEIGHT STACK	-
4	2	7328618	GUIDE ROD, .75 OD SOLID 71.63	-
5	2	3232421	RING, BRE .940, 5100-100 ST PP B	-
6	2	7634401	RETAINER, CM/MJ, GUIDEROD	-
7	2	3240502	M10 X 1.5 X 50 HXS NO CUP ST BO	-
8	1	7641901	ASSY, MJAP BOOM	ANY
9	5	3236202	SCREW, M10 X1.5 20MM	-
10	5	3236601	WASHER, 3/8 SAE SS	-
11	5	3236801	NUT, M10 HEX NYLOCK SS	-
12	2	3237403	PLUG, 1" HOLE	-
13	1	7642301	BUMPER, CM/MJ, PLUG	-
14	1	7645101	ASSY, MJAP, BASE SPRT	ANY
15	4	3236220	SCREW, M10 X1.5 130MM	-
16	4	7630101	RETAINER, CM/MJ, PULLEY	-
17	2	7634701	SPACER, CM/MJ, .565 X .815	-
18	6	7335401	NUT, M10 X 1.5 SOCKET HEAD	-
19	1	8989207	KIT, MJAP/AXO, CABLE (INCLUDES CABLE AND ENDS)	-
20	1	8328601	ASSY, CM/MJ ADJ PULLEY CARRIAGE -GRAY KNOB	ANY
		8328603	ASSY, CM/MJ ADJ PULLEY CARRIAGE -YELLOW KNOB	
21	1	7708401	ASSY, CM/MJ, ADJ PLY COLUMN	-
22	2	7780301	BRKT, MJAP, ADJ TUBE TOP	ANY
23	1	3236209	SCREW, M10 X1.5 60MM	-
24	2	3236206	SCREW, M10 X1.5 45MM	-
25	1	3236902	NUT, M16 X 2 HEX JAM SS	-
26	1	3250201	SNAP LINK, 3/8" DIA	-
27	1	7647901	HANDLE, CM/MJ, LONG STRAP	-
28	6	3270601	SCREW, #10-32 TRX PAN ST BZ	-
29	1	7647001	PLACARD BRACKET	ANY
30	1	7711501	WEIGHT, 5 LB. ADD-ON	-
31	1	7734701	STRAP, 4-WAY ANKLE	-
32	1	7640401	COVER, BOTTOM CAP	-
33	1	8943601	LINK, CM/MJ, CABLE END	-
34	1	8943701	HSNG, CM/MJ, CABLE END	-
35	1	8943801	INSERT, CM/MJ, CABLE END	-
36	2	3250002	M5 X 0.8 X 8MM HXS SOC CS ST BZ	-
37	1	3237801	PULLEY, 4.5 IN OD	-
38	1	7642295	WLDMT, CM/MJ STK PULLEY SG	SG
39	1	7733801	LABEL, PLACARD CM/MJ ADJ PULLEY-ENGLISH	-
		7733802	LABEL, PLACARD CM/MJ ADJ PULLEY-GERMAN	
		7733803	LABEL, PLACARD CM/MJ ADJ PULLEY-FRENCH	
		7733804	LABEL, PLACARD CM/MJ ADJ PULLEY-SPANISH	
		7733805	LABEL, PLACARD CM/MJ ADJ PULLEY-ITALIAN	
		7733806	LABEL, PLACARD CM/MJ ADJ PULLEY-DUTCH	
		7733807	LABEL, PLACARD CM/MJ ADJ PULLEY-JAPANESE	
		7733808	LABEL, PLACARD CM/MJ ADJ PULLEY-PORTUGUESE	

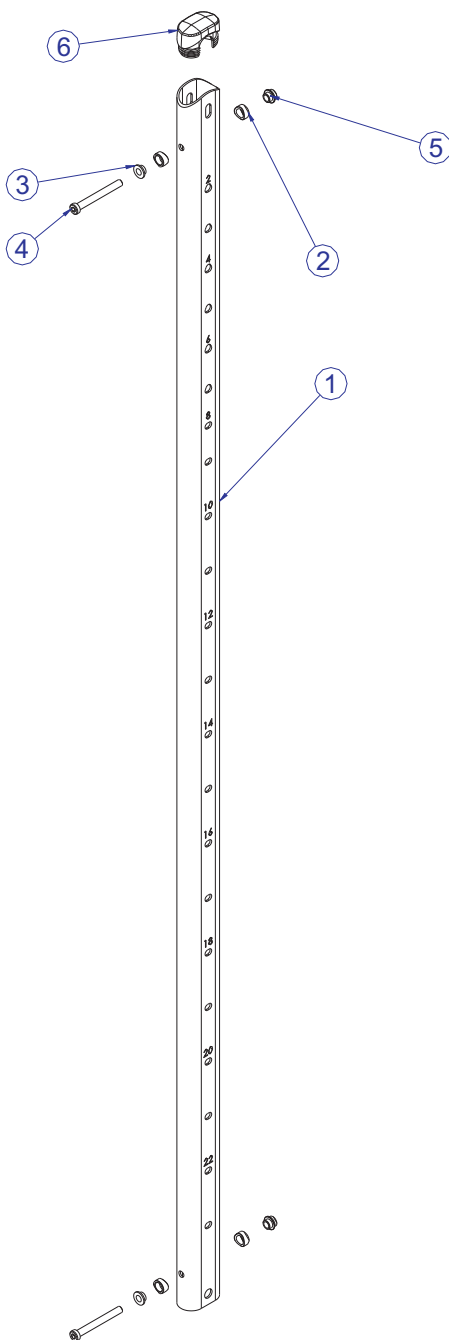
# MJAP ADJUSTABLE PULLEY

## MJAP BOOM ASSEMBLY - 7641901



ITEM NO.	QTY.	PART NO.	DESCRIPTION	FRAME COLOR
1	1	7635201	WLDMNT, MJAP BOOM	ANY
2	1	7333901	CAP, LARGE FLOV- END	-
3	3	3236207	SCREW, M10 X1.5 50MM	-
4	3	7335401	NUT, M10 X 1.5 SOCKET HEAD	-
5	3	7630101	RETAINER, CM/MJ, PULLEY	-
6	4	7629901	COVER, PULLEY- BOLTED FULL	-
7	3	3237801	PULLEY, 4.5" OD	-
8	2	7630001	COVER, PULLEY BOLTED PARTIAL	-

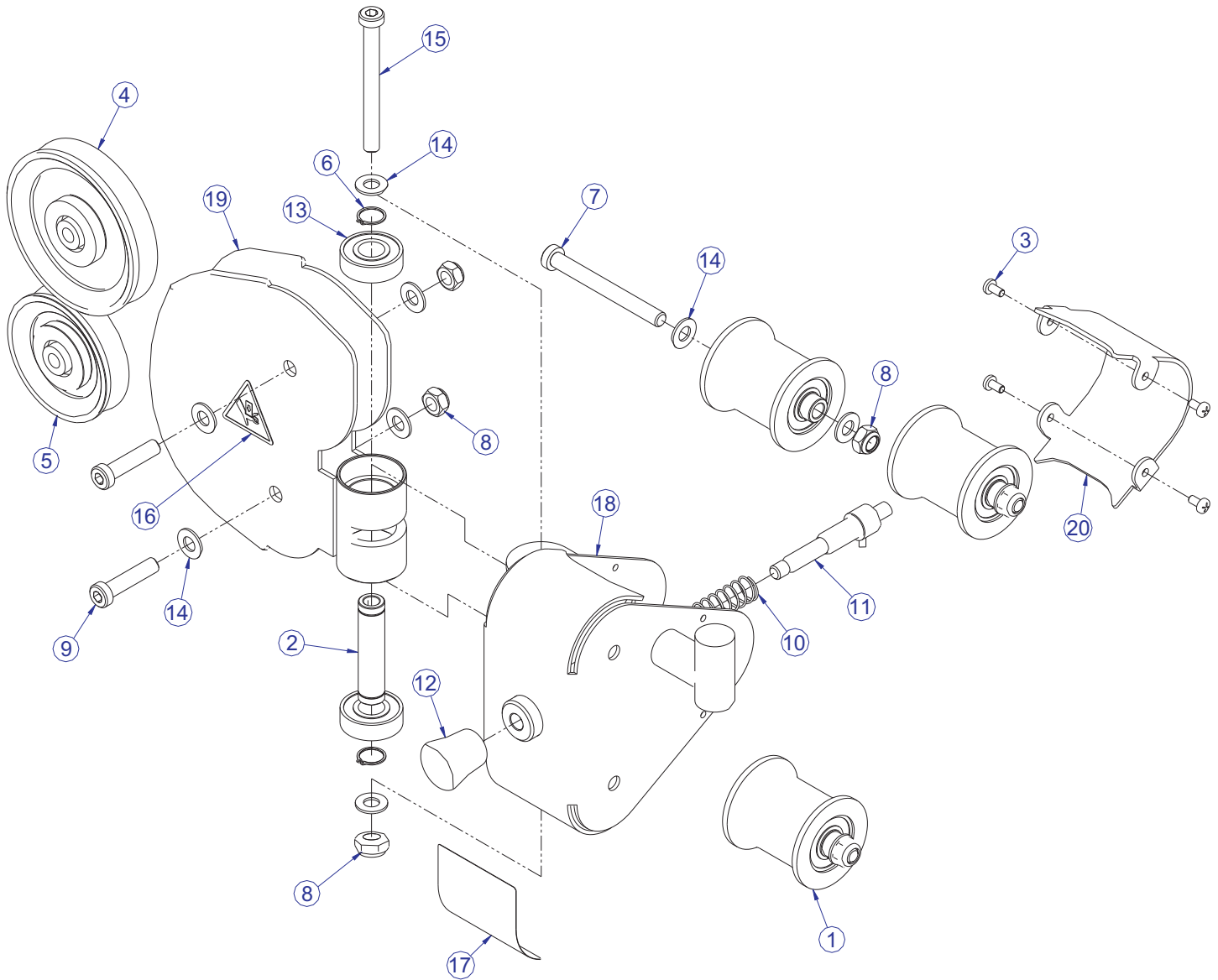
# MJAP ADJUSTABLE PULLEY CM/MJ ADJ PULLEY COLUMN ASSEMBLY - 7708401



ITEM NO.	QTY.	PART NO.	DESCRIPTION	FRAME COLOR
1	1	8264101	TUBE, CM/MJ ADJ COLUMN	-
2	4	7645501	SPACER, CM/MJ, SM FLOV CONCAVE	-
3	2	7630101	RETAINER, CM/MJ, PULLEY	-
4	2	3236215	SCREW, M10 X1.5 90MM	-
5	2	7335401	NUT, M10 X 1.5 SOCKET HEAD	-
6	1	7333801	CAP, SMALL FLOV- END	-

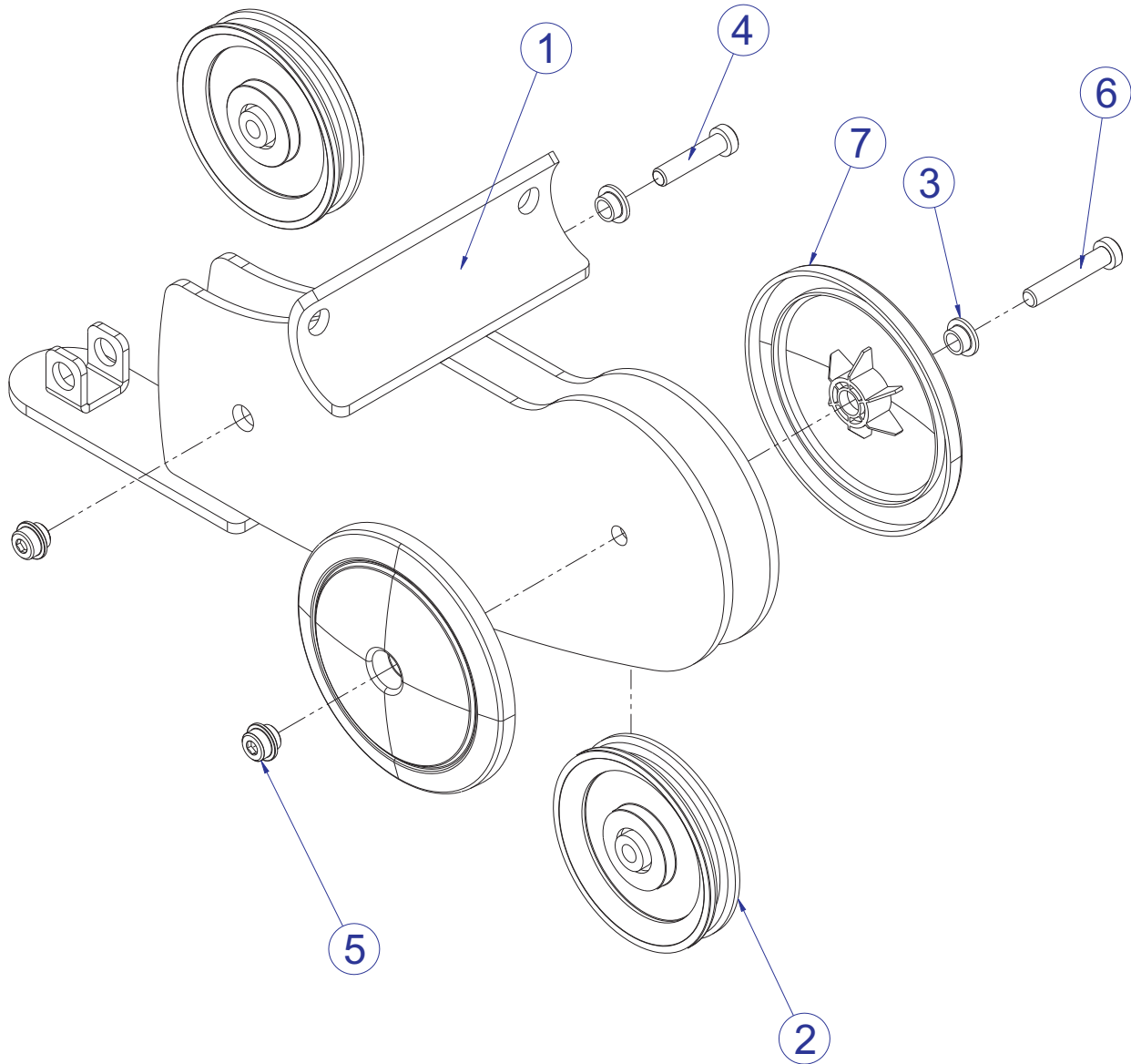


# MJAP ADJUSTABLE PULLEY CM/MJ ADJ PULLEY CARRIAGE ASSEMBLY - 83286XX



ITEM NO.	QTY.	PART NO.	DESCRIPTION	FRAME COLOR
1	3	7637901	ASSY, ROLLER-CONCAVE	-
2	1	7645401	SHAFT, CM/MJ, 6203 BRNG	-
3	4	3239101	SCREW, M5X10 PHL PAN TT ST	-
4	1	3237801	PULLEY, 4.5" OD	-
5	1	3245701	PULLEY, 3.5" OD, 10MM ID SG	-
6	2	3232413	RING, BRE .631, 5100-66, ST PP B	-
7	3	3236216	SCREW, M10 X1.5 95MM	-
8	6	3236801	NUT, M10 HEX NYLOCK SS	-
9	2	3236206	SCREW, M10 X1.5 45MM	-
10	1	7351501	SPRING, PULL PIN LARGE	-
11	1	8327901	ASSY, CM/MJ PULL PIN, BEVEL NOSE	-
12	1	7351401	KNOB, TULIP STYLE	-
		7424803	KNOB, POP PIN, YELLOW	
13	2	3245901	BEARING, 6203	-
14	12	3236601	WASHER, 3/8 SAE SS	-
15	1	3236217	SCREW, M10 X1.5 100MM	-
16	1	8039501	LABEL, WARNING, TRIANGLE	-
17	1	7821001	LABEL, WARNING ADJ. CARRIAGE	-
18	1	8327601	WLDMT, MJ ADJ PULLEY CARRIAGE	ANY
19	1	7633301	WLDMT, CM/MJ, SWIVEL PULLEY	ANY
20	1	7631801	BRKT, CM/MJ, CARRIAGE SHROUD	ANY

# MJAP ADJUSTABLE PULLEY MJAP BASE SUPPORT ASSEMBLY - 7645101

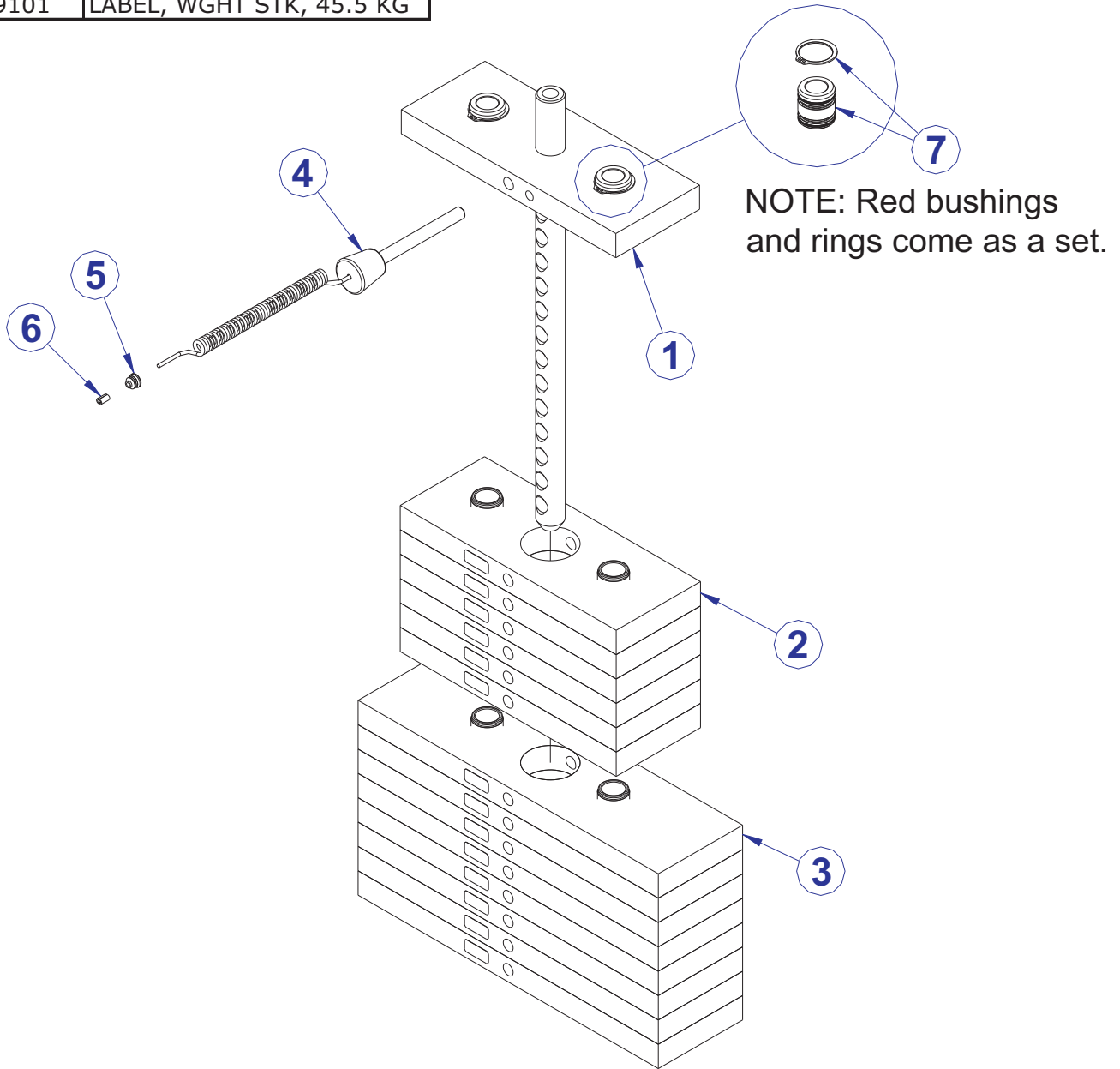


ITEM NO.	QTY.	PART NO.	DESCRIPTION	FRAME COLOR
1	1	7634801	WLDMT, MJ ADJ PULLEY BASE	ANY
2	2	3237801	PULLEY, 4.5" OD	-
3	2	7630101	RETAINER, CM/MJ, PULLEY	-
4	1	3236206	SCREW, M10 X1.5 45MM	-
5	2	7335401	NUT, M10 X 1.5 SOCKET HEAD	-
6	1	3236208	SCREW, M10 X1.5 55MM	-
7	2	7629901	COVER, PULLEY- BOLTED FULL	-

# MJAP ADJUSTABLE PULLEY 190LB. WEIGHT STACK ASSEMBLY - 7647501

## WEIGHT STACK LABELS

PART NO.	DESCRIPTION
8068901	LABEL, WGHT STK, 95 LBS
8069101	LABEL, WGHT STK, 45.5 KG



ITEM NO.	QTY.	PART NO.	DESCRIPTION
1	1	8920101	14 HOLE HEAD PLATE/BAYONET SER. KIT ASSY
2	6	7353701	ASSY, 10 LB PLATE
3	8	7353801	ASSY, 15 LB PLATE
4	1	7353001	ASSY, SELECTOR PIN
		8981903	ASSY, WT STACK SELECTOR PIN, SRT - YELLOW
5	1	7356501	PLUG, LANYARD ATTACHMENT
6	1	7523601	CRIMP, CABLE
7	2	7338001	BUSHING, HEADPLATE

# MJAP ADJUSTABLE PULLEY CABLE ROUTING GUIDE (cross-section)

---

