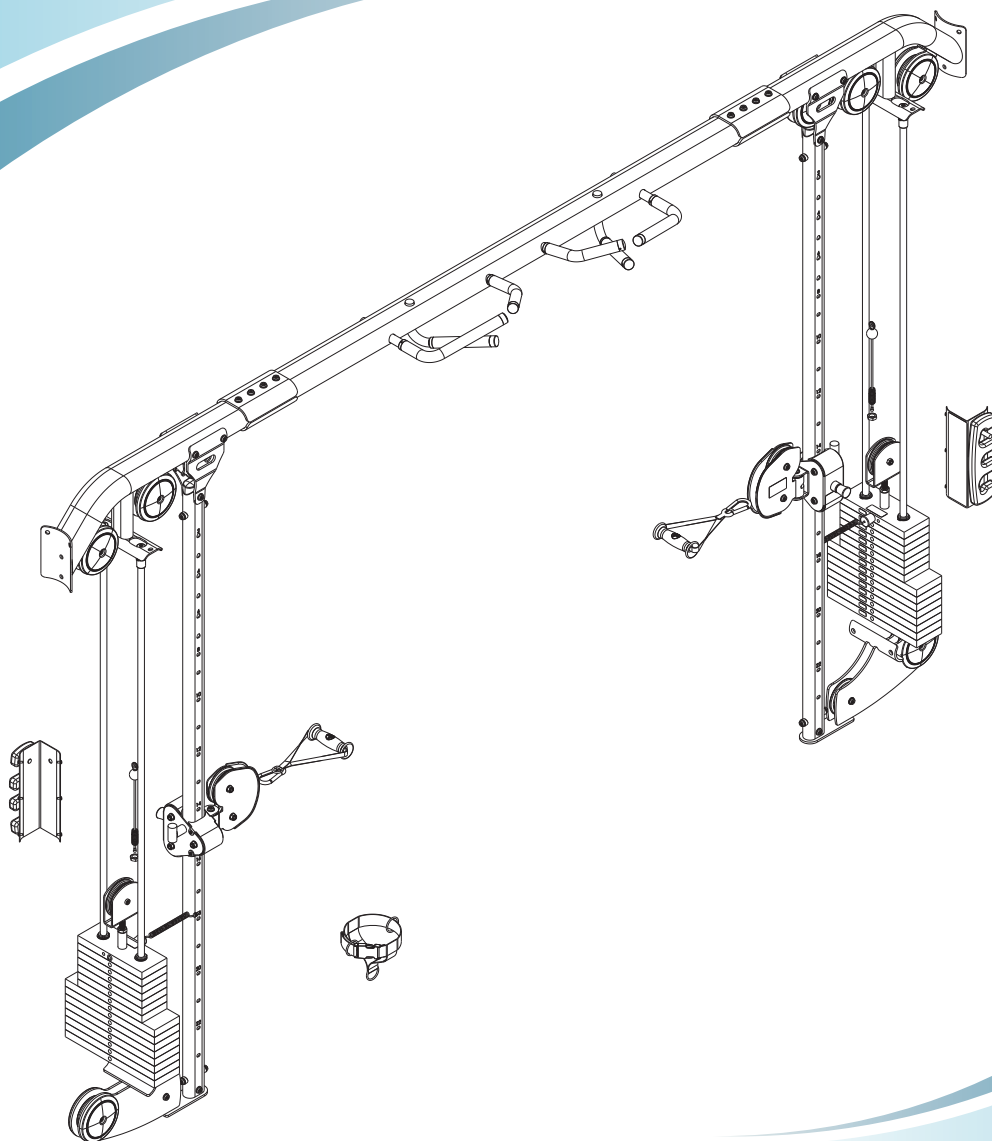


Signature Series Multi-Jungle Adjustable Crossover

MJAXO

SERIAL NUMBER: MJ40908016 & UP
MJ80908007 & UP
MJ12S0908002 & UP
MJ12V0908001 & UP

Parts List



MJAXO ADJUSTABLE CROSSOVER CONTENTS

FRAME AND UPHOLSTERY COLORS..... 3

CORE ASSEMBLY..... 4

COMPONENTS ASSEMBLY..... 5

COMPONENTS ASSEMBLY LEGEND..... 6

COMPONENTS ASSEMBLY II..... 7

COMPONENTS ASSEMBLY II LEGEND..... 8

MJ-X BEAM ASSEMBLY..... 9

MJACO/AXO, BOOM ASSEMBLY..... 10

MJAP, BASE SPRT. ASSEMBLY..... 11

CM/MJ, ADJ PULLEY CARRIAGE ASSEMBLY..... 12

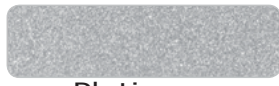
CM/MJ, ADJ PULLEY COLUMN..... 13

190LB. WEIGHT STACK ASSEMBLY..... 14

CABLE ROUTING..... 15

MJAXO ADJUSTABLE CROSSOVER FRAME AND UPHOLSTERY COLORS

Strength Frame Colors



Platinum



White



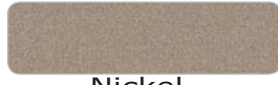
Black



Ice Blue Metallic



Midnight Metallic



Nickel



Blue



Red



Yellow



Candy Apple Red

Note: Include frame color in pick-slip notes when ordering frame assemblies or weldments.

Strength Upholstery Colors



American Beauty Red 07



Azure 20



Black 01



Cranberry 04



Graphite 22



Hunter Green 13



Regimental Blue 14



Royal Blue 02



Slate 03



Wheat 21



Burgundy 29



Candy Apple Red 28



Chestnut 34



Concord 16



Crocus 19



Dove Gray 37



Emerald 27



Grotto 25



Gun Metal 39



Imperial Blue 33



Jade 26



Navy 32



Northwoods Green 05



Paprika 35



Plum 30



Putty 38



Space Blue 06



Suede 08



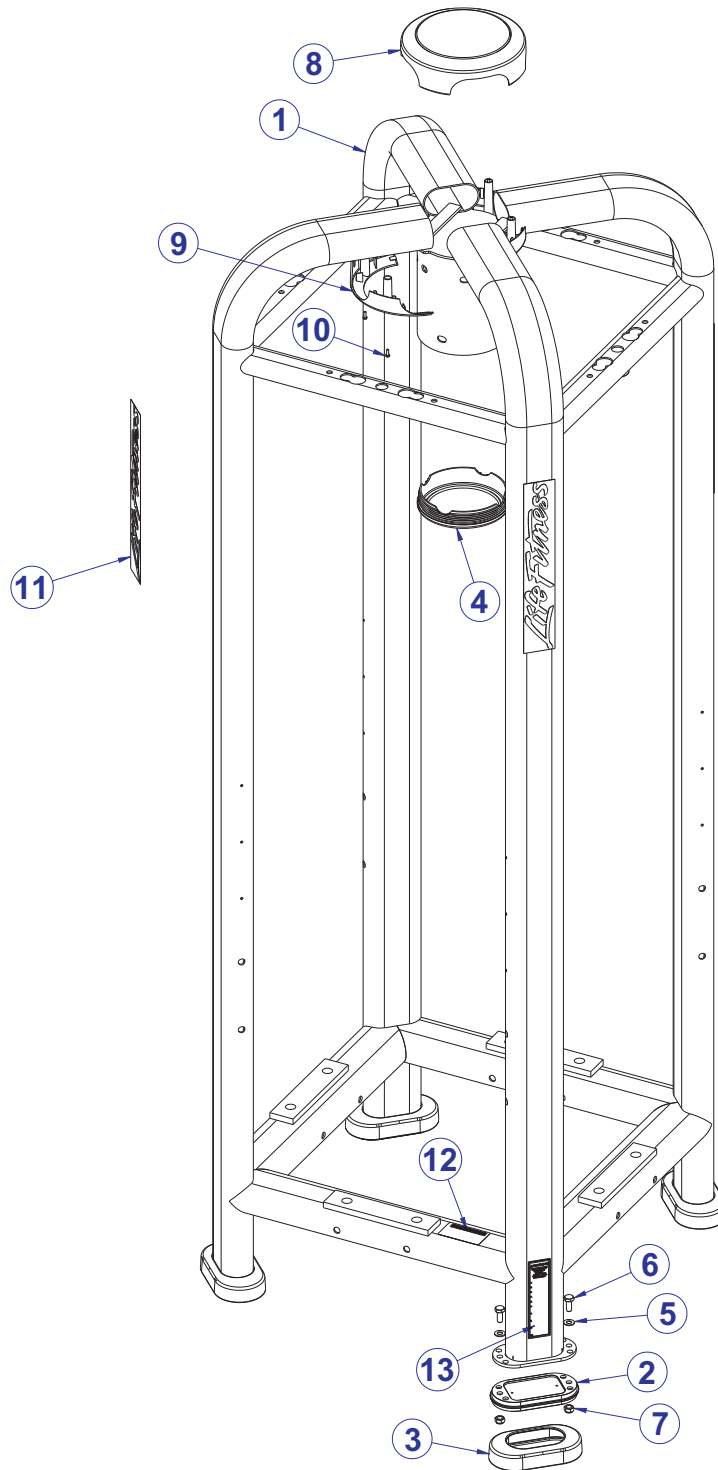
Terra Cotta 36



Turquoise 17

Note: Replace XX with above color suffix when ordering pads (ie. 74123XX = 7412301 Black)
Use 99 suffix for custom upholstery.

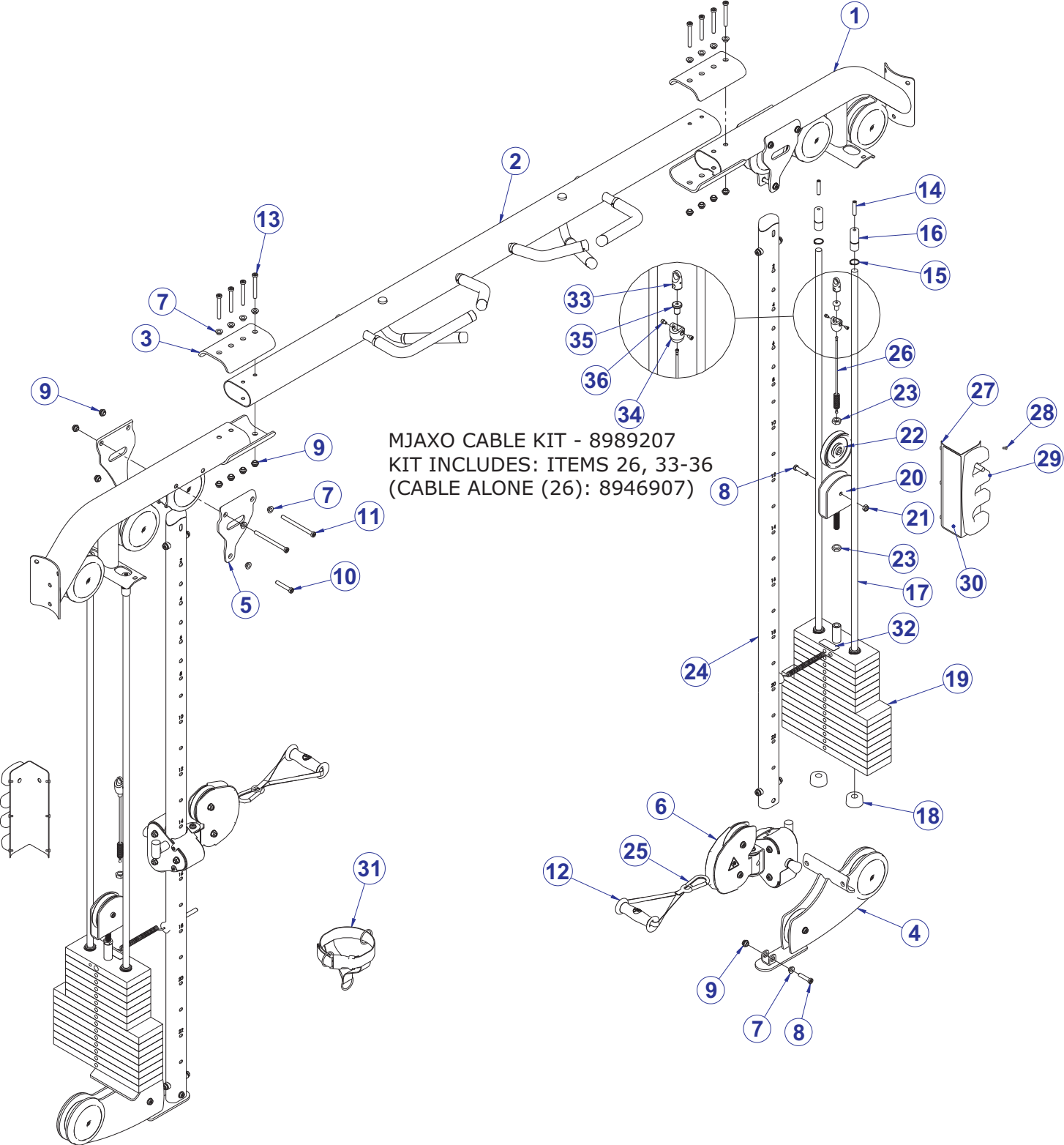
MJAXO ADJUSTABLE CROSSOVER MJCORE ASSEMBLY



ITEM NO.	QTY.	PART NO.	DESCRIPTION
1	1	7628601	WLDMT, MJCORE
2	4	7334001	FOOT, 2.50 X 4.49 FLOV
3	4	7340201	COVER, FOOT - STRAIGHT
4	1	7640401	COVER, BOTTOM CAP
5	28	3236601	WASHER, 3/8 SAE SS
6	8	3251202	SCREW, M10 X1.5 X 25MM UNS HEX CS ST ZN
7	28	3236801	NUT, M10 HEX NYLOCK SS
8	1	7629201	COVER, CENTER TOP
9	2	7629801	COVER, CENTER BOTTOM
10	4	3236501	M4 X 0.7 PHL PAN MS ST ZN
11	4	7348001	LABEL, LIFE FITNESS LOGO

ITEM NO.	QTY.	PART NO.	DESCRIPTION
12	1	7571301	LABEL, SERIAL NUMBER, BLANK
13	1	8220001	LABEL, ASTM, SELECT VERT-ENGLISH
		8220002	LABEL, ASTM, SELECT VERT-GERMAN
		8220003	LABEL, ASTM, SELECT VERT-FRENCH
		8220004	LABEL, ASTM, SELECT VERT-SPANISH
		8220005	LABEL, ASTM, SELECT VERT-ITALIAN
		8220006	LABEL, ASTM, SELECT VERT-DUTCH
		8220007	LABEL, ASTM, SELECT VERT-JAPANESE
		8220008	LABEL, ASTM, SELECT VERT-PORTUGUESE
		8220010	LABEL, ASTM, SELECT VERT-RUSSIAN
		8220011	LABEL, ASTM, SELECT VERT-TURKISH

MJAXO ADJUSTABLE CROSSOVER COMPONENT ASSEMBLY



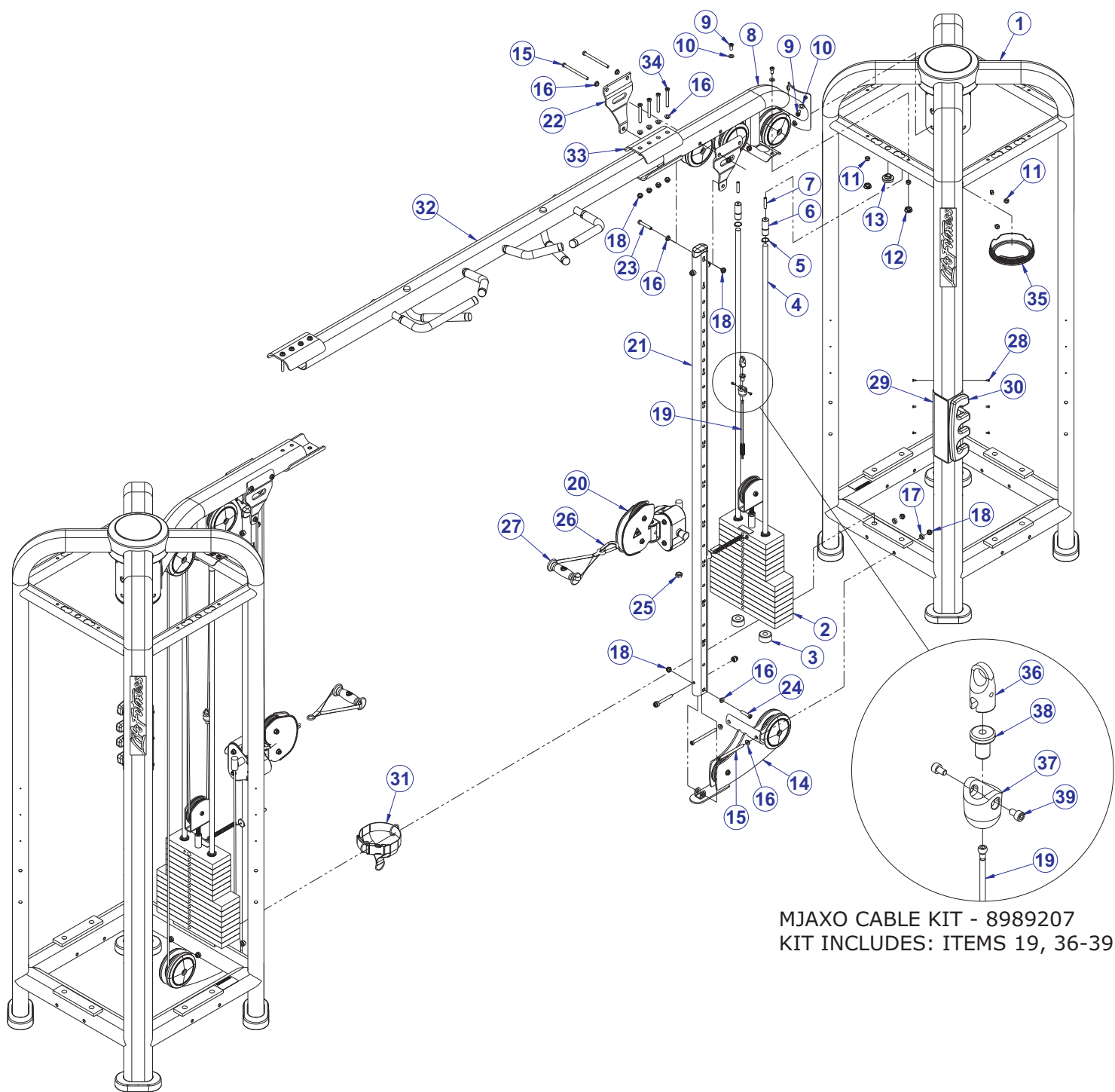
MJAXO CABLE KIT - 8989207
KIT INCLUDES: ITEMS 26, 33-36
(CABLE ALONE (26): 8946907)

SEE PAGE 6 FOR LEGEND

MJAXO ADJUSTABLE CROSSOVER COMPONENT ASSEMBLY LEGEND

ITEM NO.	QTY.	PART NO.	DESCRIPTION	FRAME COLOR
1	2	7641801	ASSY, MJACO/AXO BOOM	ANY
2	1	7640601	ASSY, MJ X-BEAM	ANY
3	2	7633201	BRKT, MJ LRG OVAL	ANY
4	2	7645101	ASSY, MJAP, BASE SPRT	ANY
5	4	7780301	BRKT, MJAP, ADJ TUBE TOP	ANY
6	2	83286XX	ASSY, CM/MJ, ADJ PULLEY CARRIAGE	ANY
7	16	7630101	RETAINER, CM/MJ, PULLEY	-
8	4	3236206	SCREW, M10 X1.5 45MM	-
9	16	7335401	NUT, M10 X 1.5 SOCKET HEAD	-
10	2	3236209	SCREW, M10 X1.5 60MM	-
11	4	3236220	SCREW, M10 X1.5 130MM	-
12	2	8219601	HANDLE, CM/MJ, SHORT STRAP	-
13	8	3236213	SCREW, M10 X1.5 80MM	-
14	4	3240502	M10 X 1.5 X 50 HXS NO CUP ST BO	-
15	4	3232421	RING, BRE .940, 5100-100 ST PP B	-
16	4	7634401	RETAINER, CM/MJ, GUIDEROD	-
17	4	7328618	GUIDE ROD, .75 OD SOLID 71.50	-
18	4	7352101	CUSHION, WEIGHT STACK	-
19	2	7647501	ASSY, 190LB STACK	-
20	2	7642295	WLDMNT, CM/MJ STK PULLEY	SG
21	2	3236801	NUT, M10 HEX NYLOCK SS	-
22	2	3237801	PULLEY, 4.5" OD	-
23	4	3236902	NUT, HEX JAM M16 X 2 SS	-
24	2	7708401	ASSY, CM/MJ, ADJ PLY COLUMN	-
25	2	3250201	SNAP LINK, 3/8" DIA	-
26	2	8989207	KIT, CABLE, MJAP/AXO	-
27	2	7647001	WLDMT, CM/MJ, PLACARD BRKT	ANY
28	12	3270601	SCREW, #10-32 TRX PAN ST BZ	-
29	2	7711501	WEIGHT, 5 LB. ADD-ON	-
30	2	7734601	LABEL, PLACARD CM/MJ, ADJ CROSSOVER-ENGLISH	-
		7734602	LABEL, PLACARD CM/MJ, ADJ CROSSOVER-GERMAN	-
		7734603	LABEL, PLACARD CM/MJ, ADJ CROSSOVER-FRENCH	-
		7734604	LABEL, PLACARD CM/MJ, ADJ CROSSOVER-SPANISH	-
		7734605	LABEL, PLACARD CM/MJ, ADJ CROSSOVER-ITALIAN	-
		7734606	LABEL, PLACARD CM/MJ, ADJ CROSSOVER-DUTCH	-
		7734607	LABEL, PLACARD CM/MJ, ADJ CROSSOVER-JAPANESE	-
		7734608	LABEL, PLACARD CM/MJ, ADJ CROSSOVER-PORTUGUESE	-
31	1	7734701	STRAP, 4-WAY ANKLE	-
32	2	7744501	LABEL, WEIGHT AT HANDLE	-
33	2	8943601	LINK, CM/MJ, CABLE END	-
34	2	8943701	HSNG, CM/MJ, CABLE END	-
35	2	8943801	INSERT, CM/MJ, CABLE END	-
36	4	3250002	M5 X 0.8 HXS SOC CS ST BZ X 8	-

MJAXO ADJUSTABLE CROSSOVER COMPONENT ASSEMBLY II

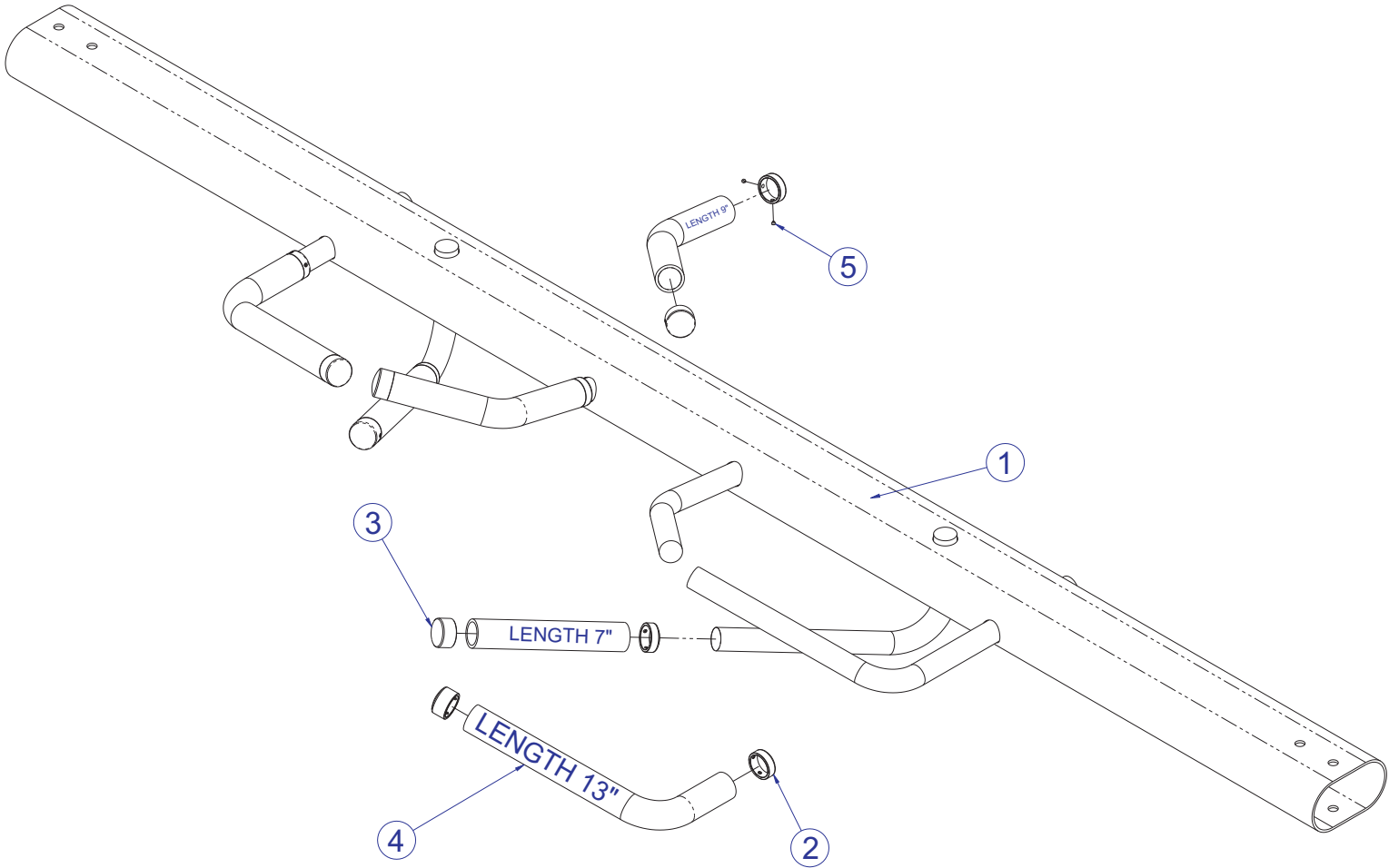


SEE PAGE 8 FOR LEGEND

MJAXO ADJUSTABLE CROSSOVER COMPONENT ASSEMBLY II LEGEND

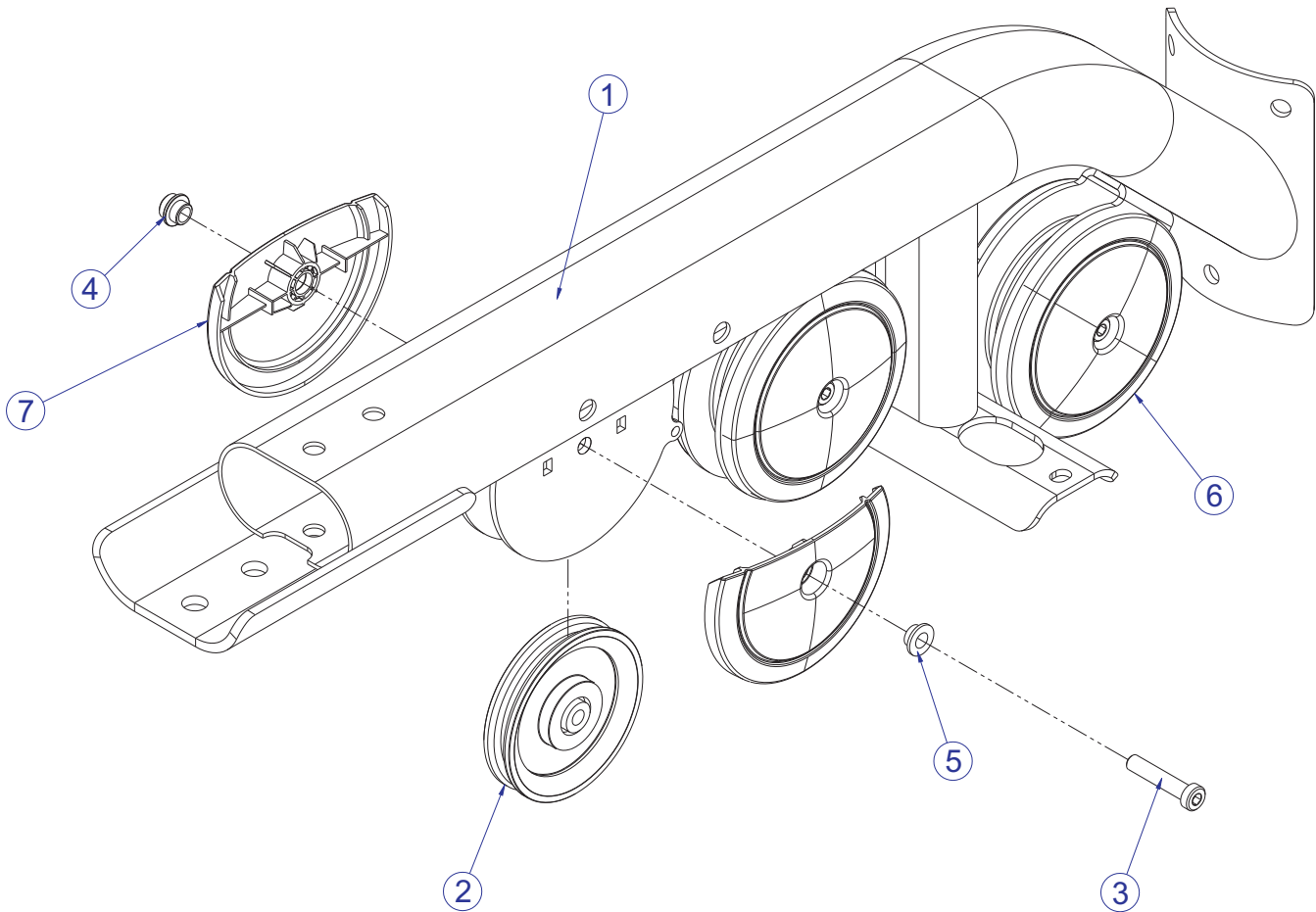
ITEM NO.	QTY.	PART NO.	DESCRIPTION	FRAME COLOR
1	2	MJCORE-ASSY	ASSY, COMPONENTS MJCORE	ANY
2	2	7647501	ASSY, 190LB STACK	-
3	4	7352101	CUSHION, WEIGHT STACK	-
4	4	7328618	GUIDE ROD, .75 OD SOLID 71.63	-
5	4	3232421	RING, BRE .940, 5100-100 ST PP B	-
6	4	7634401	RETAINER, CM/MJ, GUIDEROD	-
7	4	3240502	M10 X 1.5 X 50 HXS NO CUP ST BO	-
8	2	7641801	ASSY, MJACO/AXO BOOM	ANY
9	10	3236202	SCREW, M10 X1.5 25MM	-
10	10	3236601	WASHER, 3/8 SAE SS	-
11	10	3236801	NUT, M10 HEX NYLOCK SS	-
12	4	3237403	PLUG, 1" HOLE	-
13	2	7642301	BUMPER, CM/MJ, PLUG	-
14	2	7645101	ASSY, MJAP, BASE SPRT	ANY
15	8	3236220	SCREW, M10 X1.5 130MM	-
16	20	7630101	RETAINER, CM/MJ, PULLEY	-
17	4	7634701	SPACER, CM/MJ, .565 X .815	-
18	20	7335401	NUT, M10 X 1.5 SOCKET HEAD	-
19	2	8989207	KIT, MJAP/AXO, CABLE (INCLUDES CABLE AND ENDS)	-
20	2	8328601	ASSY, CM/MJ ADJ PULLEY CARRIAGE -GRAY KNOB	ANY
		8328603	ASSY, CM/MJ ADJ PULLEY CARRIAGE -YELLOW KNOB	
21	2	7708401	ASSY, CM/MJ, ADJ PLY COLUMN	-
22	4	7780301	BRKT, MJAP, ADJ TUBE TOP	ANY
23	2	3236209	SCREW, M10 X1.5 60MM	-
24	2	3236206	SCREW, M10 X1.5 45MM	-
25	2	3236902	NUT, M16 X 2 HEX JAM SS	-
26	2	3250201	SNAP LINK, 3/8" DIA	-
27	2	7647801	HANDLE, CM/MJ, SHORT STRAP	-
28	12	3270601	SCREW, #10-32 TRX PAN ST BZ	-
29	2	7647001	PLACARD BRACKET	ANY
30	2	7711501	WEIGHT, 5 LB. ADD-ON	-
31	2	7734701	STRAP, 4-WAY ANKLE	-
32	1	7640601	ASSY, MJ X-BEAM	ANY
33	2	7633201	BRKT, MJ LRG OVAL	-
34	8	3236213	SCREW, M10 X 1.5 80MM	-
35	2	7640401	COVER, BOTTOM CAP	-
36	1	8943601	LINK, CM/MJ, CABLE END	-
37	1	8943701	HSNG, CM/MJ, CABLE END	-
38	1	8943801	INSERT, CM/MJ, CABLE END	-
39	2	3250002	M5 X 0.8 HXS SOC CS ST BZ X 8	-

MJAXO ADJUSTABLE CROSSOVER MJ X-BEAM ASSEMBLY - 7640601



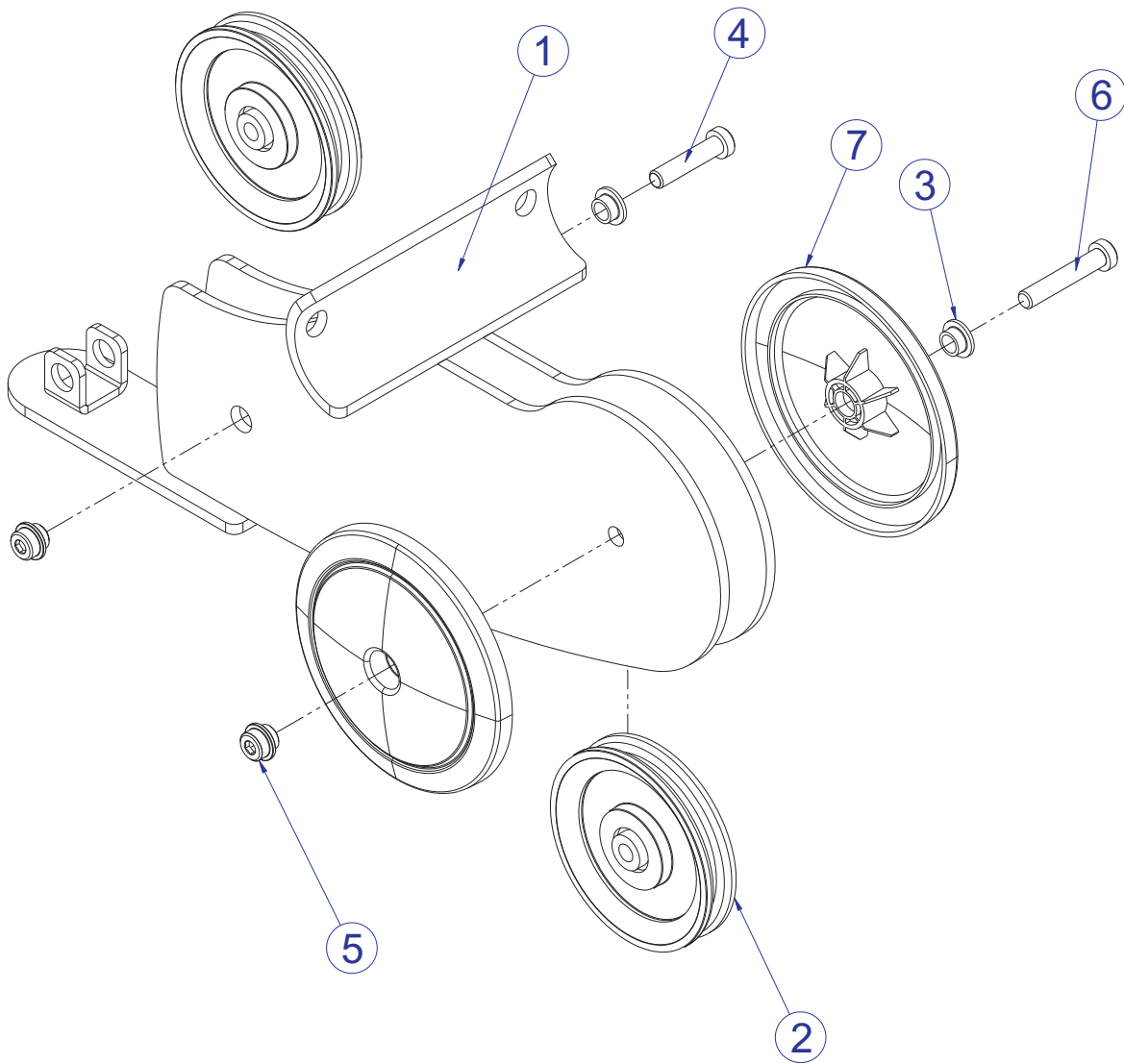
ITEM NO.	QTY.	PART NO.	DESCRIPTION	FRAME COLOR
1	1	7632701	WLDMT, MJ X-BEAM	ANY
2	6	7662801	RING, GRIP 1.25 OD	-
3	6	7662901	CAP, GRIP 1.25 OD	-
4	6	3235801	GRIP, SHADOW GREY OPEN END	-
5	24	3247701	M4 X .7 HXS NO CUP ST BO	-

MJAXO ADJUSTABLE CROSSOVER MJACO/AXO BOOM ASSEMBLY - 7641801



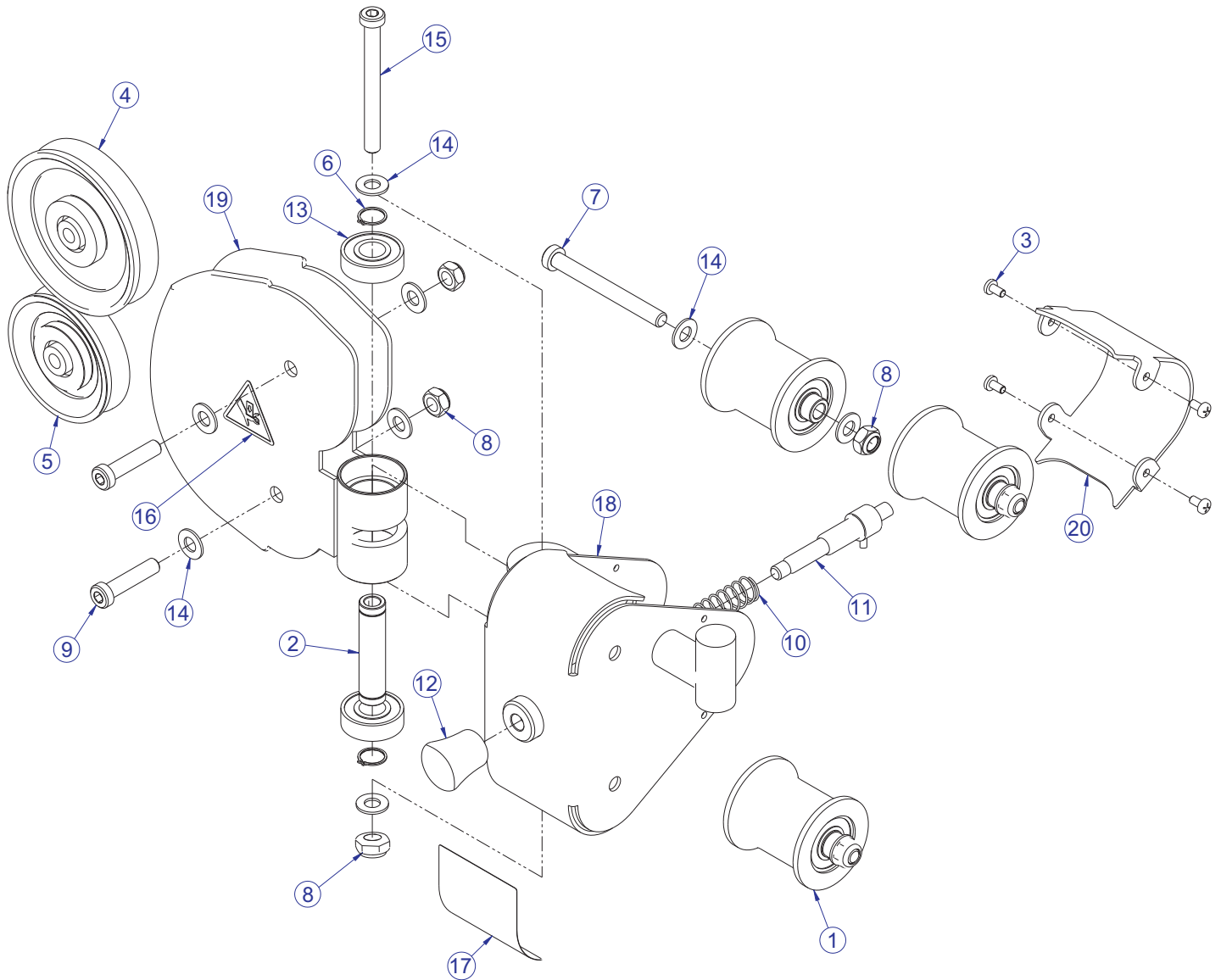
ITEM NO.	QTY.	PART NO.	DESCRIPTION	FRAME COLOR
1	1	7638301	WLDMNT, MJACO/AXO BOOM	ANY
2	3	3237801	PULLEY, 4.5" OD	-
3	3	3236207	SCREW, M10 X1.5 50MM	-
4	3	7335401	NUT, M10 X 1.5 SOCKET HEAD	-
5	3	7630101	RETAINER, CM/MJ, PULLEY	-
6	4	7629901	COVER, PULLEY- BOLTED FULL	-
7	2	7630001	COVER, PULLEY BOLTED PARTIAL	-

MJAXO ADJUSTABLE CROSSOVER MJAP BASE SUPPORT ASSEMBLY - 7645101



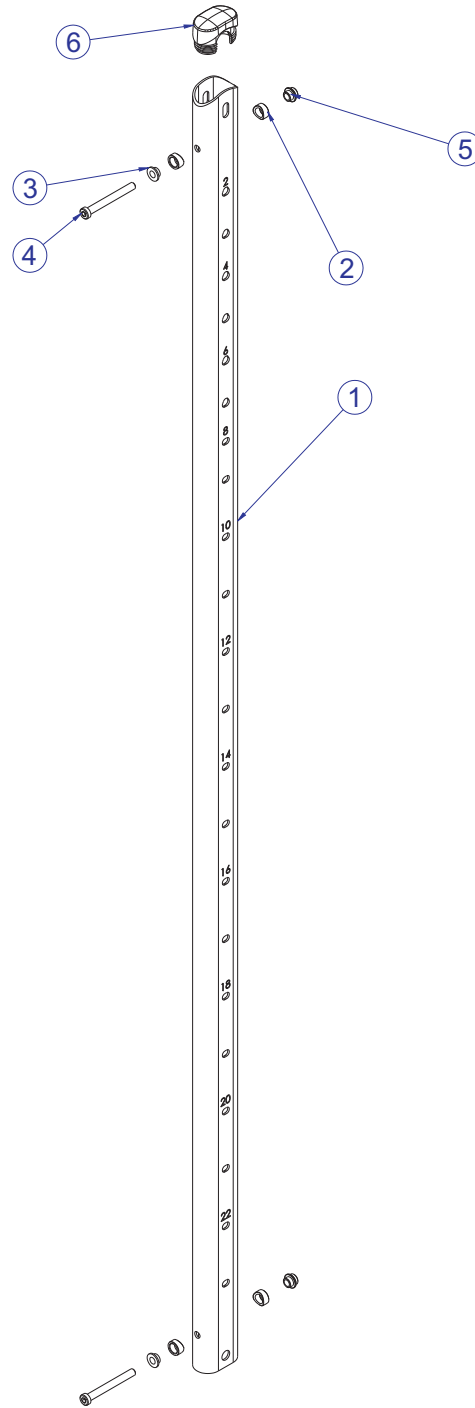
ITEM NO.	QTY.	PART NO.	DESCRIPTION	FRAME COLOR
1	1	7634801	WLDMT, MJ ADJ PULLEY BASE	ANY
2	2	3237801	PULLEY, 4.5" OD	-
3	2	7630101	RETAINER, CM/MJ, PULLEY	-
4	1	3236206	SCREW, M10 X1.5 45MM	-
5	2	7335401	NUT, M10 X 1.5 SOCKET HEAD	-
6	1	3236208	SCREW, M10 X1.5 55MM	-
7	2	7629901	COVER, PULLEY- BOLTED FULL	-

MJAXO ADJUSTABLE CROSSOVER CM/MJ ADJ PULLEY CARRIAGE ASSEMBLY - 83286XX



ITEM NO.	QTY.	PART NO.	DESCRIPTION	FRAME COLOR
1	3	7637901	ASSY, ROLLER-CONCAVE	-
2	1	7645401	SHAFT, CM/MJ, 6203 BRNG	-
3	4	3239101	SCREW, M5X10 PHL PAN TT ST	-
4	1	3237801	PULLEY, 4.5" OD	-
5	1	3245701	PULLEY, 3.5" OD, 10MM ID SG	-
6	2	3232413	RING, BRE .631, 5100-66, ST PP B	-
7	3	3236216	SCREW, M10 X1.5 95MM	-
8	6	3236801	NUT, M10 HEX NYLOCK SS	-
9	2	3236206	SCREW, M10 X1.5 45MM	-
10	1	7351501	SPRING, PULL PIN LARGE	-
11	1	8327901	ASSY, CM/MJ PULL PIN, BEVEL NOSE	-
12	1	7351401	KNOB, TULIP STYLE	-
		7424803	KNOB, POP PIN, YELLOW	
13	2	3245901	BEARING, 6203	-
14	12	3236601	WASHER, 3/8 SAE SS	-
15	1	3236217	SCREW, M10 X1.5 100MM	-
16	1	8039501	LABEL, WARNING, TRIANGLE	-
17	1	7821001	LABEL, WARNING ADJ. CARRIAGE	-
18	1	8327601	WLDMT, MJ ADJ PULLEY CARRIAGE	ANY
19	1	7633301	WLDMT, CM/MJ, SWIVEL PULLEY	ANY
20	1	7631801	BRKT, CM/MJ, CARRIAGE SHROUD	ANY

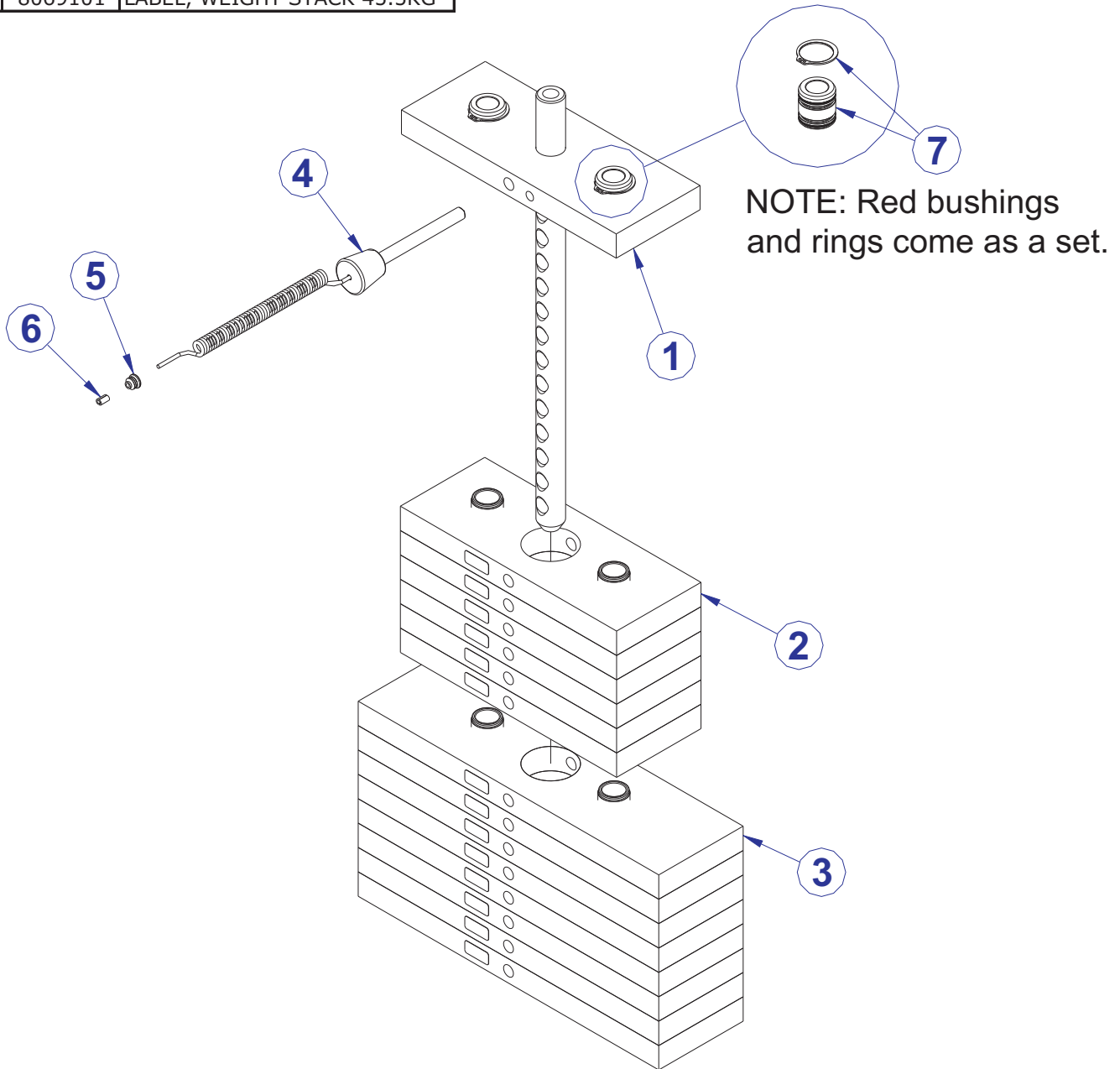
MJAXO ADJUSTABLE CROSSOVER CM/MJ ADJ PULLEY COLUMN ASSEMBLY - 7708401



ITEM NO.	QTY.	PART NO.	DESCRIPTION	FRAME COLOR
1	1	8264101	TUBE, CM/MJ ADJ COLUMN	-
2	4	7645501	SPACER, CM/MJ, SM FLOV CONCAVE	-
3	2	7630101	RETAINER, CM/MJ, PULLEY	-
4	2	3236215	SCREW, M10 X1.5 90MM	-
5	2	7335401	NUT, M10 X 1.5 SOCKET HEAD	-
6	1	7333801	CAP, SMALL FLOV- END	-

MJAXO ADJUSTABLE CROSSOVER 190LB. WEIGHT STACK ASSEMBLY - 7647501

QTY.	PART NO.	DESCRIPTION
1	8068901	LABEL, WEIGHT STACK 95LBS
1	8069101	LABEL, WEIGHT STACK 45.5KG



ITEM NO.	QTY.	PART NO.	DESCRIPTION
1	1	8920101	14 HOLE HEAD PLATE/BAYONET SER. KIT ASSY
2	6	7353701	ASSY, 10 LB PLATE
3	8	7353801	ASSY, 15 LB PLATE
4	1	7353001	ASSY, SELECTOR PIN
		8981903	ASSY, WT STACK SELECTOR PIN, SRT - YELLOW
5	1	7356501	PLUG, LANYARD ATTACHMENT
6	1	7523601	CRIMP, CABLE
7	2	7338001	BUSHING, HEADPLATE

MJAXO ADJUSTABLE CROSSOVER MJAXO CABLE ROUTING GUIDE (CROSS-SECTION)

