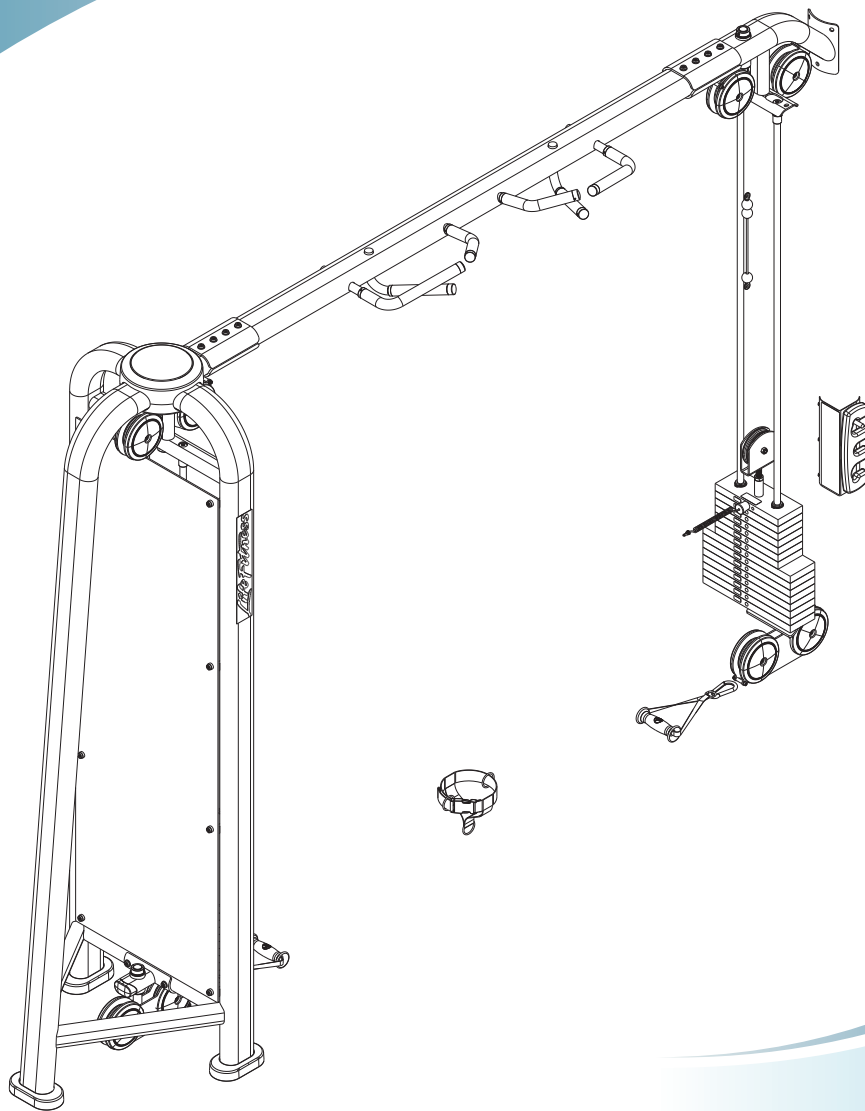


Signature Series Multi-Jungle MJFCO Fixed Crossover

MJFCO

Parts List



MJFCO FIXED CROSSOVER CONTENTS

FRAME AND UPHOLSTERY COLORS 3

MJ CORE ASSEMBLY 4

COMPONENT ASSEMBLY 5

COMPONENT ASSEMBLY LEGEND 6

MJ X-BEAM ASSEMBLY 7

CM/MJACO TOWER ASSEMBLY 8

CM/MJACO TOWER ASSEMBLY LEGEND 9

MJFCO BOOM ASSEMBLY 10

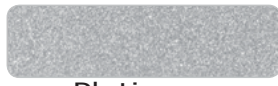
MJ X-OVER BOTTOM ASSEMBLY 11

WEIGHT STACK ASSEMBLY 12

CABLE ROUTING GUIDE 13

MJFCO FIXED CROSSOVER FRAME AND UPHOLSTERY COLORS

Strength Frame Colors



Platinum



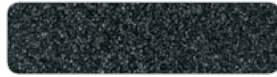
White



Black



Ice Blue Metallic



Midnight Metallic



Nickel



Blue



Red



Yellow



Candy Apple Red

Note: Include frame color in pick-slip notes when ordering frame assemblies or weldments.

Strength Upholstery Colors



American Beauty Red 07



Azure 20



Black 01



Cranberry 04



Graphite 22



Hunter Green 13



Regimental Blue 14



Royal Blue 02



Slate 03



Wheat 21



Burgundy 29



Candy Apple Red 28



Chestnut 34



Concord 16



Crocus 19



Dove Gray 37



Emerald 27



Grotto 25



Gun Metal 39



Imperial Blue 33



Jade 26



Navy 32



Northwoods Green 05



Paprika 35



Plum 30



Putty 38



Space Blue 06



Suede 08



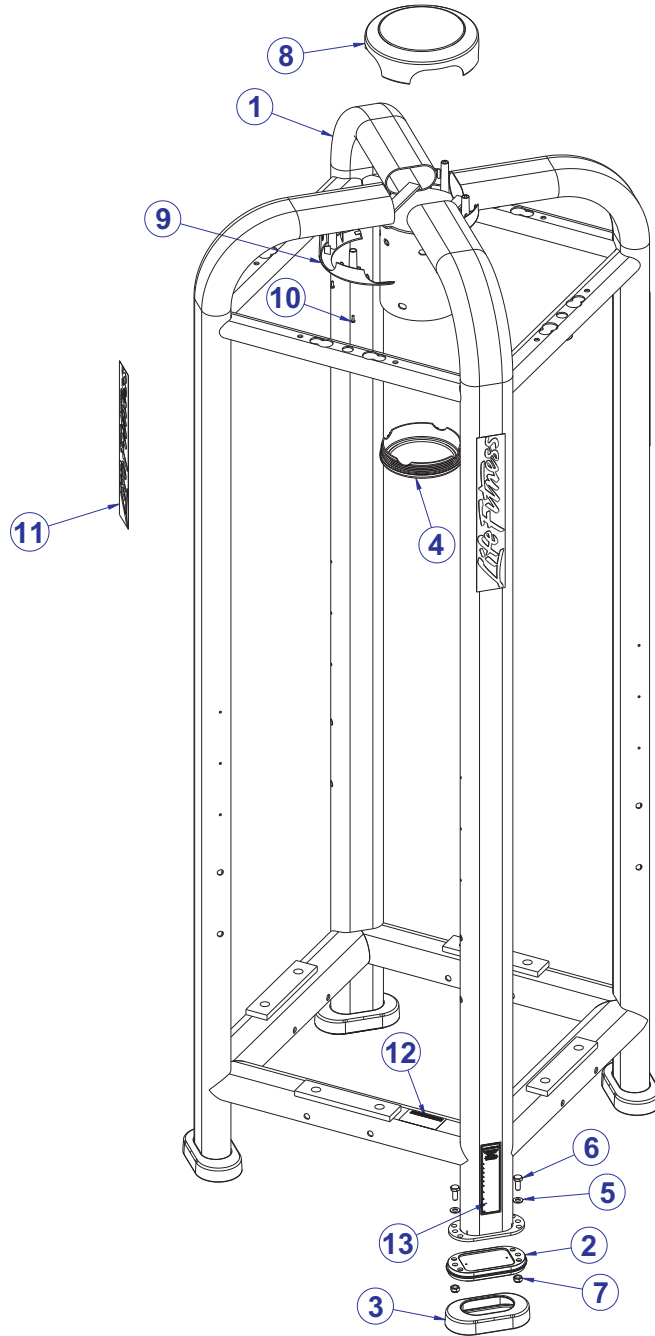
Terra Cotta 36



Turquoise 17

Note: Replace XX with above color suffix when ordering pads (ie. 74123XX = 7412301 Black)
Use 99 suffix for custom upholstery.

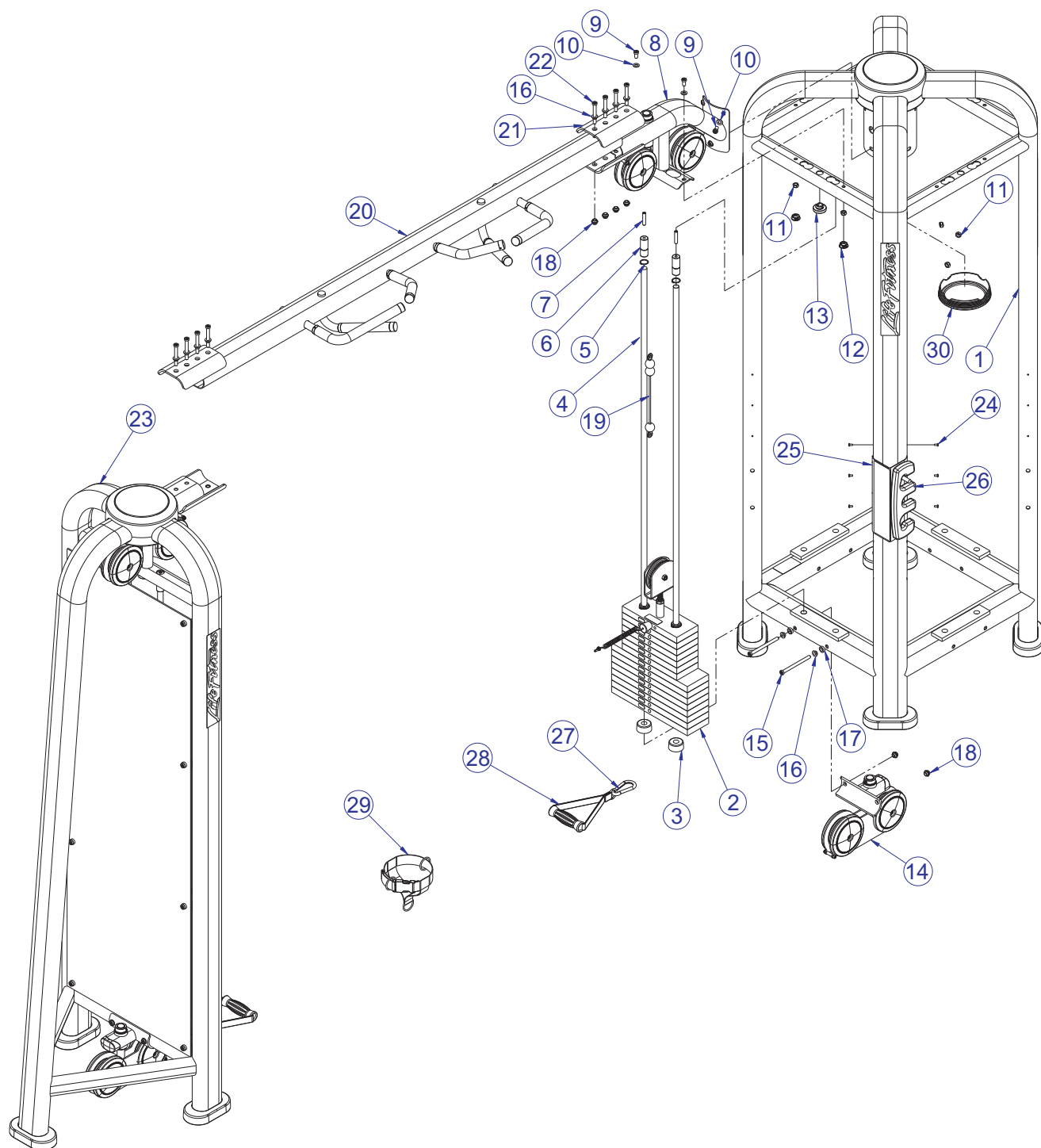
MJFCO FIXED CROSSOVER MJCORE ASSEMBLY



ITEM NO.	QTY.	PART NO.	DESCRIPTION
1	1	7628601	WLDMT, MJCORE
2	4	7334001	FOOT, 2.50 X 4.49 FLOV
3	4	7340201	COVER, FOOT - STRAIGHT
4	1	7640401	COVER, BOTTOM CAP
5	28	3236601	WASHER, 3/8 SAE SS
6	8	3251202	SCREW, M10 X1.5 X 25MM UNS HEX CS ST ZN
7	28	3236801	NUT, M10 HEX NYLOCK SS
8	1	7629201	COVER, CENTER TOP
9	2	7629801	COVER, CENTER BOTTOM
10	4	3236501	M4 X 0.7 PHL PAN MS ST ZN
11	4	7348001	LABEL, LIFE FITNESS LOGO

ITEM NO.	QTY.	PART NO.	DESCRIPTION
12	1	7571301	LABEL, SERIAL NUMBER, BLANK
13	1	8220001	LABEL, ASTM, SELECT VERT-ENGLISH
		8220002	LABEL, ASTM, SELECT VERT-GERMAN
		8220003	LABEL, ASTM, SELECT VERT-FRENCH
		8220004	LABEL, ASTM, SELECT VERT-SPANISH
		8220005	LABEL, ASTM, SELECT VERT-ITALIAN
		8220006	LABEL, ASTM, SELECT VERT-DUTCH
		8220007	LABEL, ASTM, SELECT VERT-JAPANESE
		8220008	LABEL, ASTM, SELECT VERT-PORTUGUESE
		8220010	LABEL, ASTM, SELECT VERT-RUSSIAN
		8220011	LABEL, ASTM, SELECT VERT-TURKISH

MJFCO FIXED CROSSOVER COMPONENT ASSEMBLY

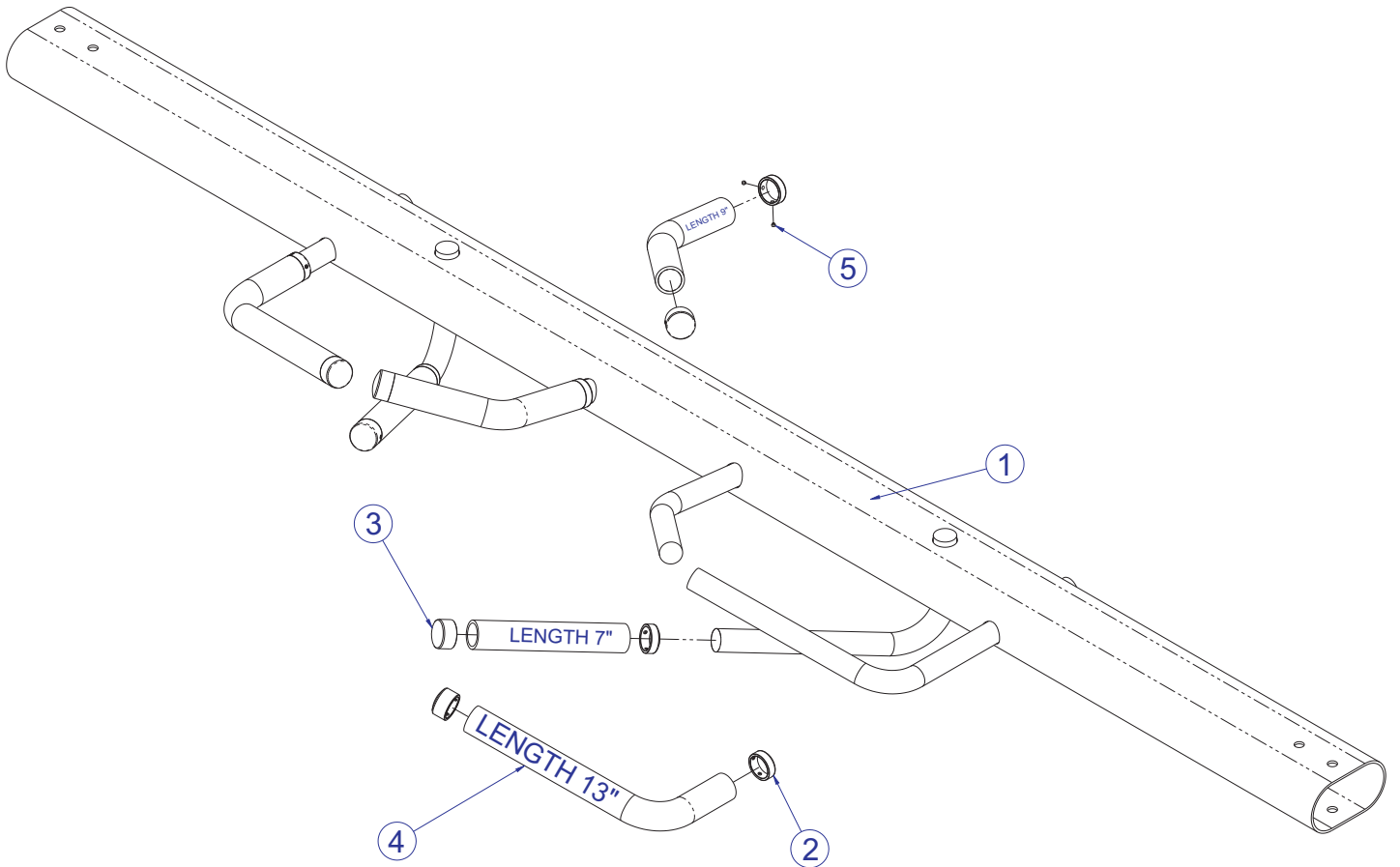


SEE PAGE 6 FOR LEGEND

MJFCO FIXED CROSSOVER COMPONENT ASSEMBLY LEGEND

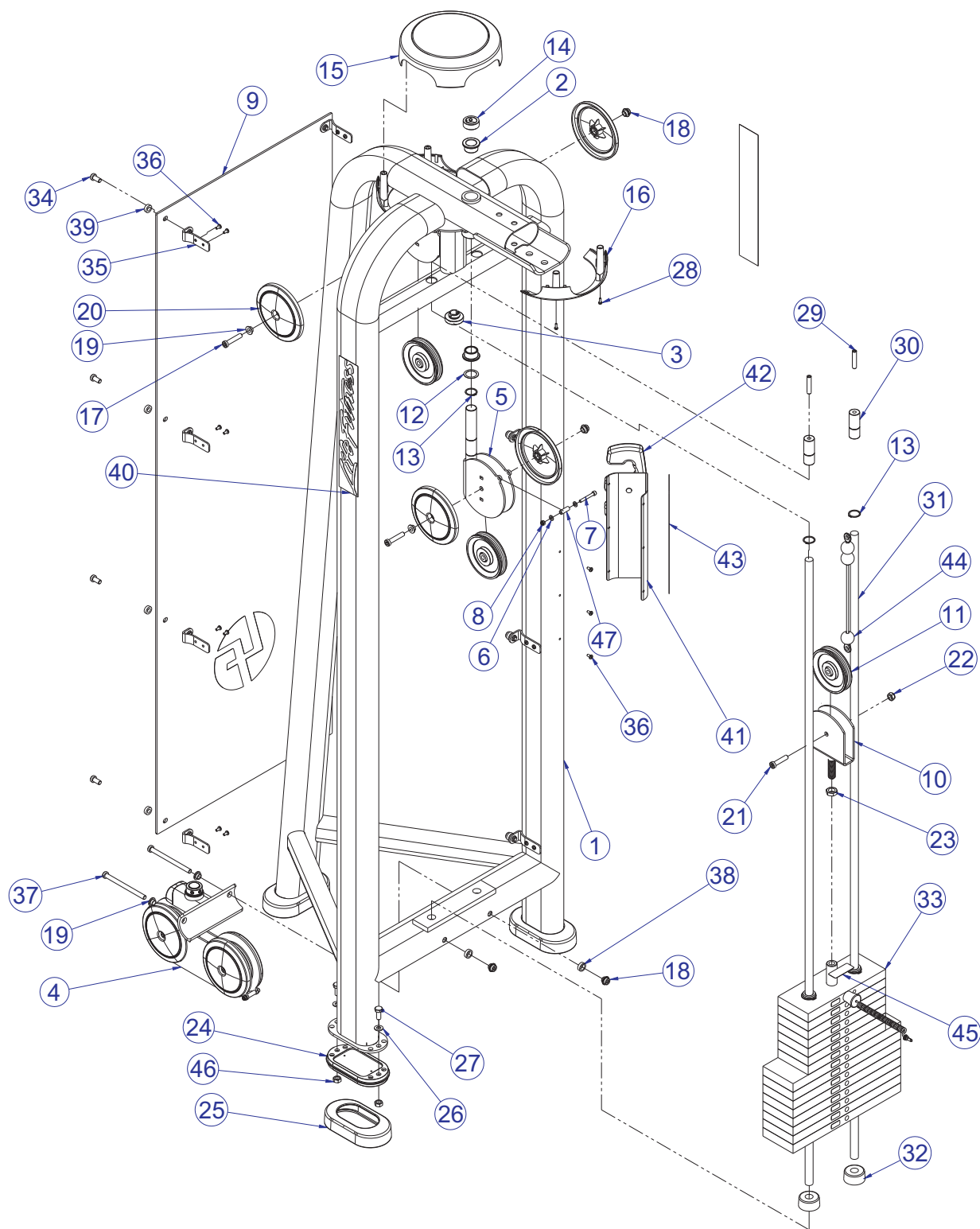
ITEM NO.	QTY.	PART NO.	DESCRIPTION	FRAME COLOR
1	1	MJCORE-ASSY	ASSY, COMPONENTS MJCORE	ANY
2	1	7647501	ASSY, 190LB STACK	-
3	2	7352101	CUSHION, WEIGHT STACK	-
4	2	7328618	GUIDE ROD, .75 OD SOLID 71.63	-
5	2	3232421	RING, BRE .940, 5100-100 ST PP B	-
6	2	7634401	RETAINER, CM/MJ, GUIDEROD	-
7	2	3240502	M10 X 1.5 X 50 HXS NO CUP ST BO	-
8	1	7640701	ASSY, MJFXO BOOM	ANY
9	5	3236202	SCREW, M10 X 1.5 25MM	-
10	5	3236601	WASHER, 3/8 SAE SS	-
11	5	3236801	NUT, M10 HEX NYLOCK SS	-
12	2	3237403	PLUG, 1" HOLE	-
13	1	7642301	BUMPTER, CM/MJ, PLUG	-
14	1	7636101	ASSY, MJ X-OVER BOTTOM	ANY
15	2	3236220	SCREW, M10 X 1.5 130MM	-
16	10	7630101	RETAINER, CM/MJ, PULLEY	-
17	2	7634701	SPACER, CM/MJ, PULLEY	-
18	10	7335401	NUT, M10 X 1.5 SOCKET HEAD	-
19	1	7732201	CABLE, CM/MJFXO	-
20	1	7640601	ASSY, MJ X-BEAM	ANY
21	2	7633201	BRKT, MJ LRG OVAL	ANY
22	8	3236213	SCREW, M10 X 1.5 80MM	-
23	1	7641401	ASSY, CM/MJFCO TOWER	-
24	6	3239101	SCREW, M5 X 10 PHL PAN TT ST	-
25	1	7647001	PLACARD BRACKET	ANY
26	2	7711501	WEIGHT, 5LB ADD-ON	-
27	2	3250201	SNAP LINK, 3/8" DIA	-
28	2	8219601	HANDLE, CM/MJ, SHORT STRAP	-
29	2	7734701	STRAP, 4-WAY ANKLE	-
30	1	7640401	COVER, BOTTOM CAP	-

MJFCO FIXED CROSSOVER MJ X-BEAM ASSEMBLY - 7640601



ITEM NO.	QTY.	PART NO.	DESCRIPTION
1	1	7632701	WLDMT, MJ X-BEAM
2	6	7662801	RING, GRIP 1.25 OD
3	6	7662901	CAP, GRIP 1.25 OD
4	6	3235801	GRIP, SHADOW GREY OPEN END
5	24	3247701	M4 X .7 HXS NO CUP ST BO

MJFCO FIXED CROSSOVER MJACO TOWER ASSEMBLY - 7641401

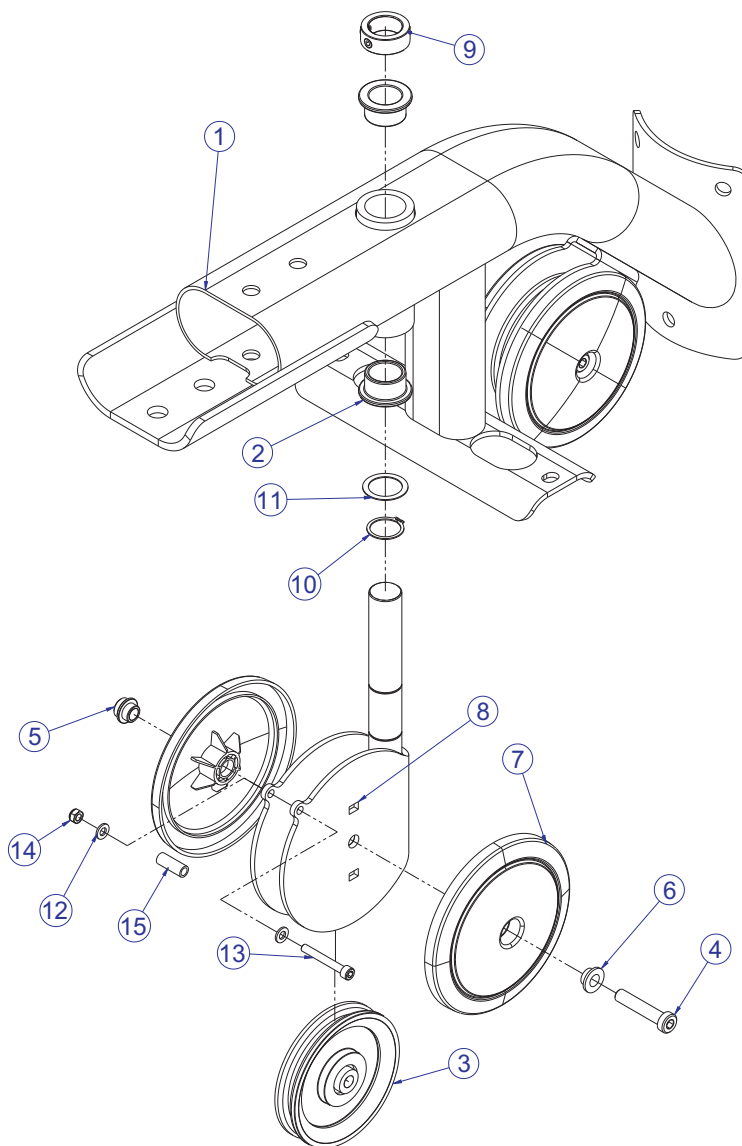


SEE PAGE 9 FOR LEGEND

MJFCO FIXED CROSSOVER MJACO TOWER ASSEMBLY LEGEND

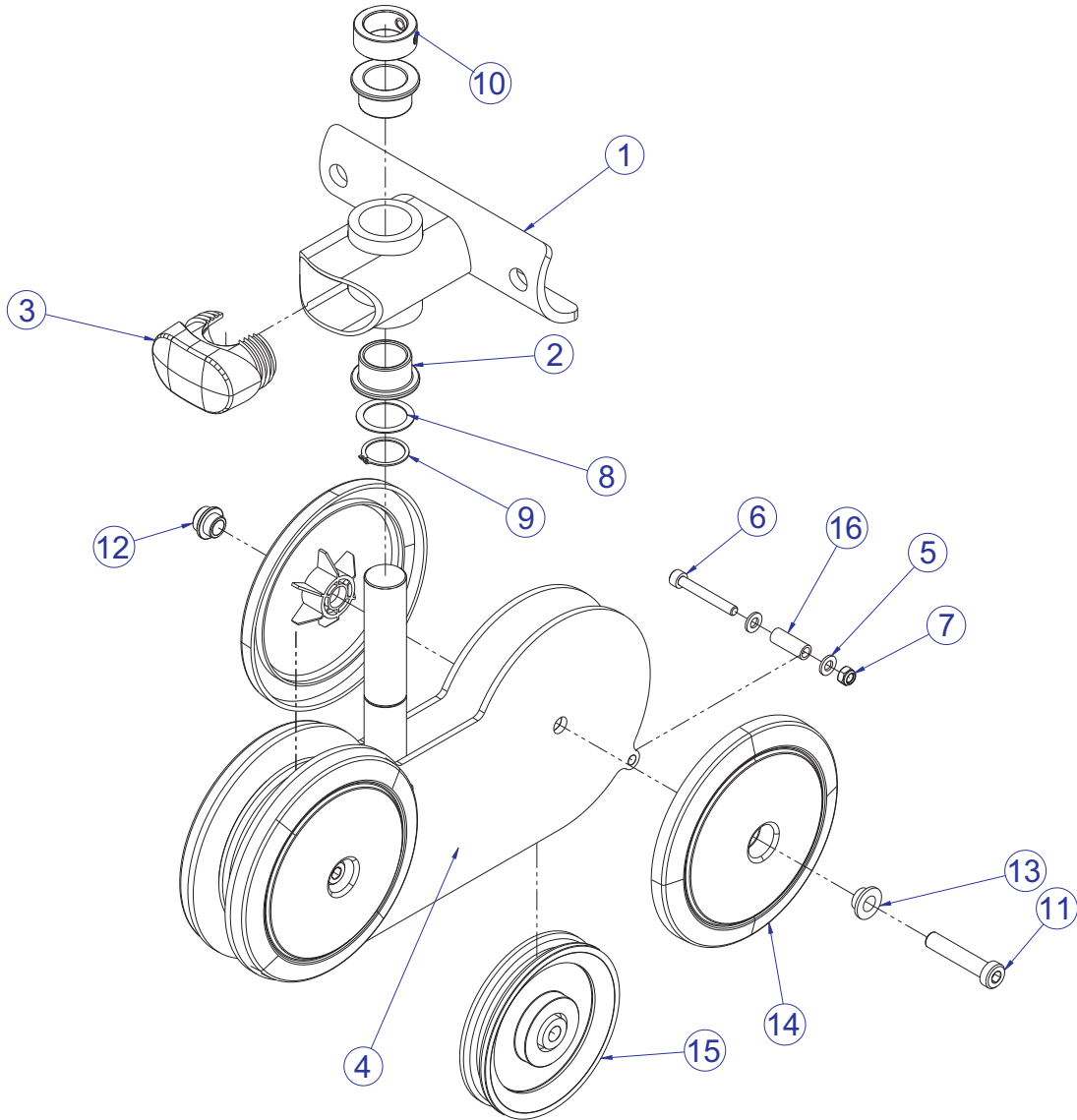
ITEM NO.	QTY.	PART NO.	DESCRIPTION	FRAME COLOR
1	1	7639001	WLDMNT, MJFCO TOWER	ANY
2	2	3104903	1.00" ID 1.25" OD BRONZ BUSHING	-
3	1	7642301	BUMPER, CM/MJ, PLUG	-
4	1	7636101	ASSY, MJ X-OVER BOTTOM	ANY
5	1	7638101	WLDMT, MJ, X-OVER PULLEY	ANY
6	2	3241801	WASHER, FLAT 6MM SS	-
7	1	3241706	SCREW, M6 X1 45MM	-
8	1	3236802	NUT, M6 HEX NYLOCK SS	-
9	1	7642101	SHIELD, CM/MJ REAR	-
10	1	7642295	WLDMNT, CM/MJ STK PULLEY	SD. GRAY
11	3	3237801	PULLEY, 4.5" OD	-
12	1	3225005	WASHER, 1.031-1.375-031 SPEC ST ZN	-
13	3	3232421	RING, BRE .940, 5100-100 ST PP B	-
14	1	7435301	COLLAR, SHAFT 1.020 ID	-
15	1	7629201	COVER, CENTER TOP	-
16	2	7629801	COVER, CENTER BOTTOM	-
17	2	3236207	SCREW, M10 X1.5 50MM	-
18	4	7335401	NUT, M10 X 1.5 SOCKET HEAD	-
19	4	7630101	RETAINER, CM/MJ, PULLEY	-
20	4	7629901	COVER, PULLEY- BOLTED FULL	-
21	1	3236206	SCREW, M10 X1.5 45MM	-
22	1	3236801	NUT, M10 HEX NYLOCK SS	-
23	1	3236902	NUT, M16 X 2 HEX JAM SS	-
24	3	7334001	FOOT, 2.50 X 4.49 FLOV	-
25	3	7340201	COVER, FOOT - STRAIGHT	-
26	6	3236601	WASHER, 3/8 SAE SS	-
27	6	3251202	SCREW, M10 X1.5 X 25MM UNS HEX CS ST ZN	-
28	4	3236501	M4 X 0.7 PHL PAN MS ST ZN	-
29	2	3240502	M10 X 1.5 X 50 HXS NO CUP ST BO	-
30	2	7634401	RETAINER, CM/MJ, GUIDEROD	-
31	2	7328618	GUIDE ROD, .75 OD SOLID 71.50	-
32	2	7352101	CUSHION, WEIGHT STACK	-
33	1	7647501	ASSY, 190LB STACK	-
34	8	3236201	SCREW, M10 X1.5 20MM	-
35	8	7642001	BRKT, CM/MJ, REAR SHROUD	-
36	22	3239101	SCREW, M5X10 PHL PAN TT ST	-
37	2	3236220	SCREW, M10 X1.5 130MM	-
38	2	7634701	SPACER, CM/MJ, .565 X .815	-
39	8	7385201	SPACER, .406 X .750 X .250	-
40	2	7348001	LABEL, LIFE FITNESS LOGO	-
41	1	7647001	WLDMT, CM/MJ, PLACARD BRKT	ANY
42	1	7711501	WEIGHT, 5 LB. ADD-ON	-
43	1	7733901	LABEL, PLACARD CM/MJ CROSSOVER	-
44	1	7732202	CABLE, CM/MJFCO	-
45	1	7744501	LABEL, WEIGHT AT HANDLE	-
46	6	3254703	NUT, M10 X 1.5 HEX ZINC	-
47	1	8002401	SPACER, CM/MJ PULLEY	-

MJFCO FIXED CROSSOVER MJFXO BOOM ASSEMBLY - 7640701



ITEM NO.	QTY.	PART NO.	DESCRIPTION	FRAME COLOR
1	1	7636201	WLDMNT, MJFCO/FXO BOOM	ANY
2	2	3104903	1.00" ID 1.25" OD BRONZ BUSHING	-
3	2	3237801	PULLEY, 4.5" OD	-
4	2	3236207	SCREW, M10 X1.5 50MM	-
5	2	7335401	NUT, M10 X 1.5 SOCKET HEAD	-
6	2	7630101	RETAINER, CM/MJ, PULLEY	-
7	4	7629901	COVER, PULLEY- BOLTED FULL	-
8	1	7638101	WLDMT, MJ, X-OVER PULLEY	ANY
9	1	7435301	COLLAR, SHAFT 1.020 ID	-
10	1	3232421	RING, BRE .940, 5100-100 ST PP B	-
11	1	3225005	WASHER, 1.031-1.375-031 SPEC ST ZN	-
12	2	3241801	WASHER, FLAT 6MM SS	-
13	1	3241706	SCREW, M6 X1 45MM	-
14	1	3236802	NUT, M6 HEX NYLOCK SS	-
15	1	8002401	SPACER, CM/MJ PULLEY	-

MJFCO FIXED CROSSOVER MJ X-OVER BOTTOM ASSEMBLY - 7636101

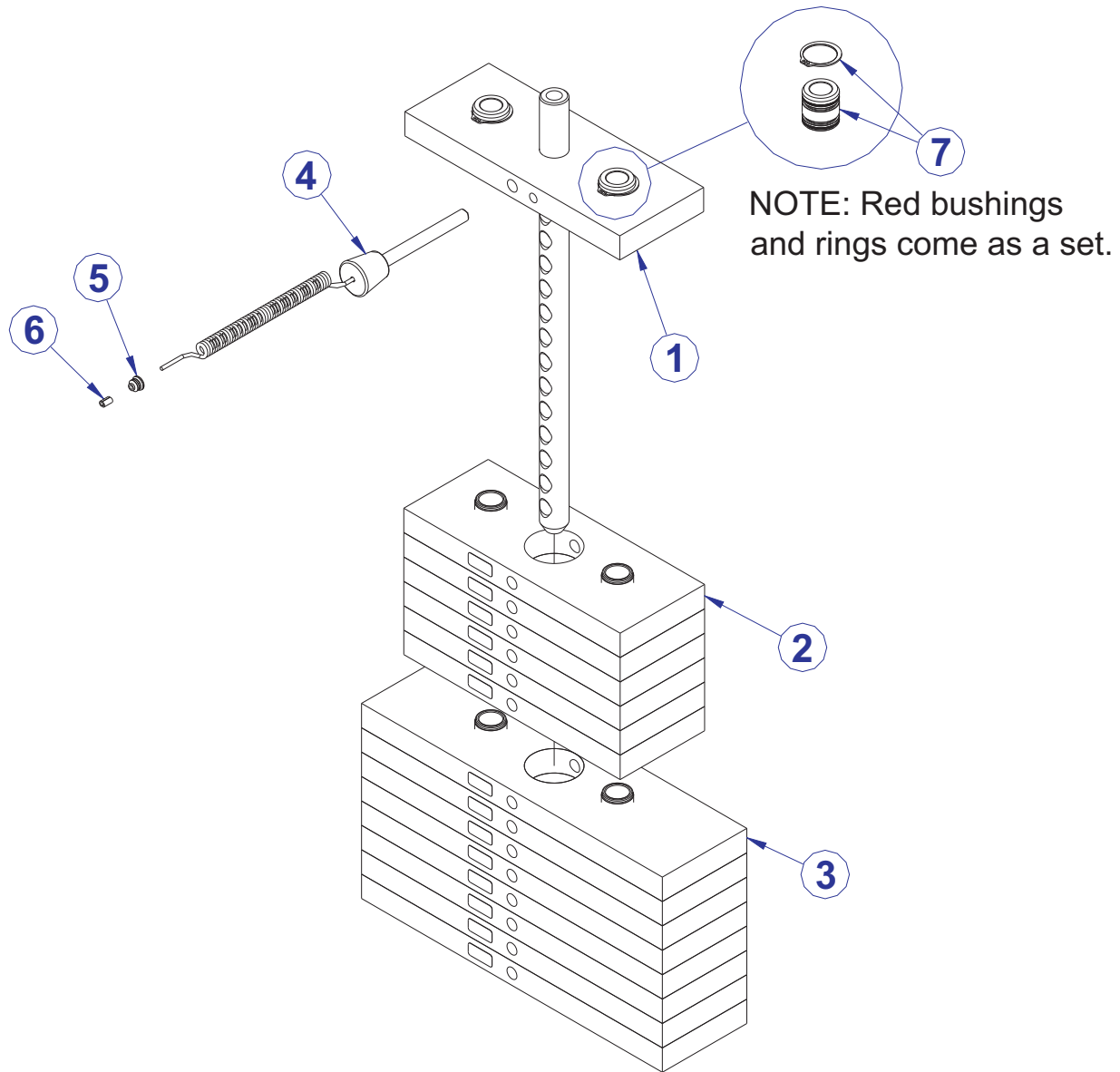


ITEM NO.	QTY.	PART NO.	DESCRIPTION	FRAME COLOR
1	1	7635901	WLDMNT, MJFCO/FXO PULLEY SPRT	ANY
2	2	3104903	1.00" ID 1.25" OD BRONZ BUSHING	-
3	1	7333801	CAP, SMALL FLOV- END	-
4	1	7635601	WLDMNT, MJFCO/FXO BOTTOM PULLEY	ANY
5	2	3241801	WASHER, FLAT 6MM SS	-
6	1	3241706	SCREW, M6 X1 45MM	-
7	1	3236802	NUT, M6 HEX NYLOCK SS	-
8	1	3225005	WASHER, 1.031-1.375-031 SPEC ST ZN	-
9	1	3232421	RING, BRE .940, 5100-100 ST PP B	-
10	1	7435301	COLLAR, SHAFT 1.020 ID	-
11	2	3236207	SCREW, M10 X1.5 50MM	-
12	2	7335401	NUT, M10 X 1.5 SOCKET HEAD	-
13	2	7630101	RETAINER, CM/MJ, PULLEY	-
14	4	7629901	COVER, PULLEY- BOLTED FULL	-
15	2	3237801	PULLEY, 4.5" OD	-
16	1	8002401	SPACER, CM/MJ PULLEY	-

MJFCO FIXED CROSSOVER 190LB. WEIGHT STACK ASSEMBLY - 7647501

WEIGHT STACK LABELS

QTY.	PART NO.	DESCRIPTION
2	8069101	LABEL, WGHT STK, 45.5 KG
2	8068901	LABEL, WGHT STK, 95 LBS

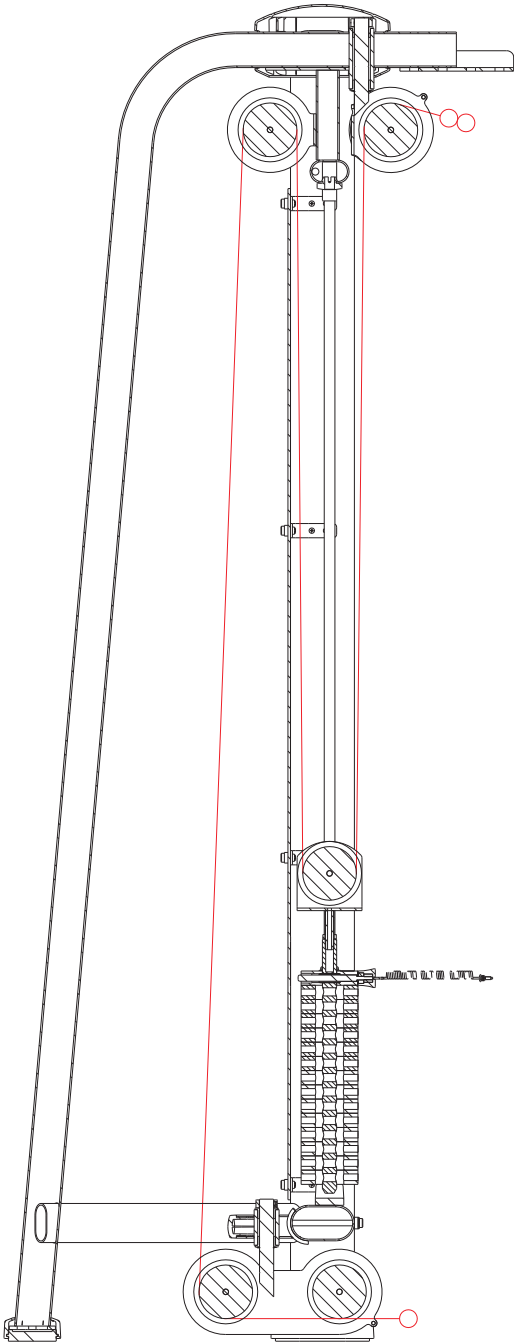


ITEM NO.	QTY.	PART NO.	DESCRIPTION
1	1	8920101	14 HOLE HEAD PLATE/BAYONET SER. KIT ASSY
2	6	7353701	ASSY, 10 LB PLATE
3	8	7353801	ASSY, 15 LB PLATE
4	1	7353001	ASSY, SELECTOR PIN
		8981903	ASSY, WT STACK SELECTOR PIN, SRT - YELLOW
5	1	7356501	PLUG, LANYARD ATTACHMENT
6	1	7523601	CRIMP, CABLE
7	2	7338001	BUSHING, HEADPLATE

MJFCO FIXED CROSSOVER

MJFCO CABLE ROUTING GUIDE (cross-section)

CM/MJ TOWER



CM/MJ CORE

