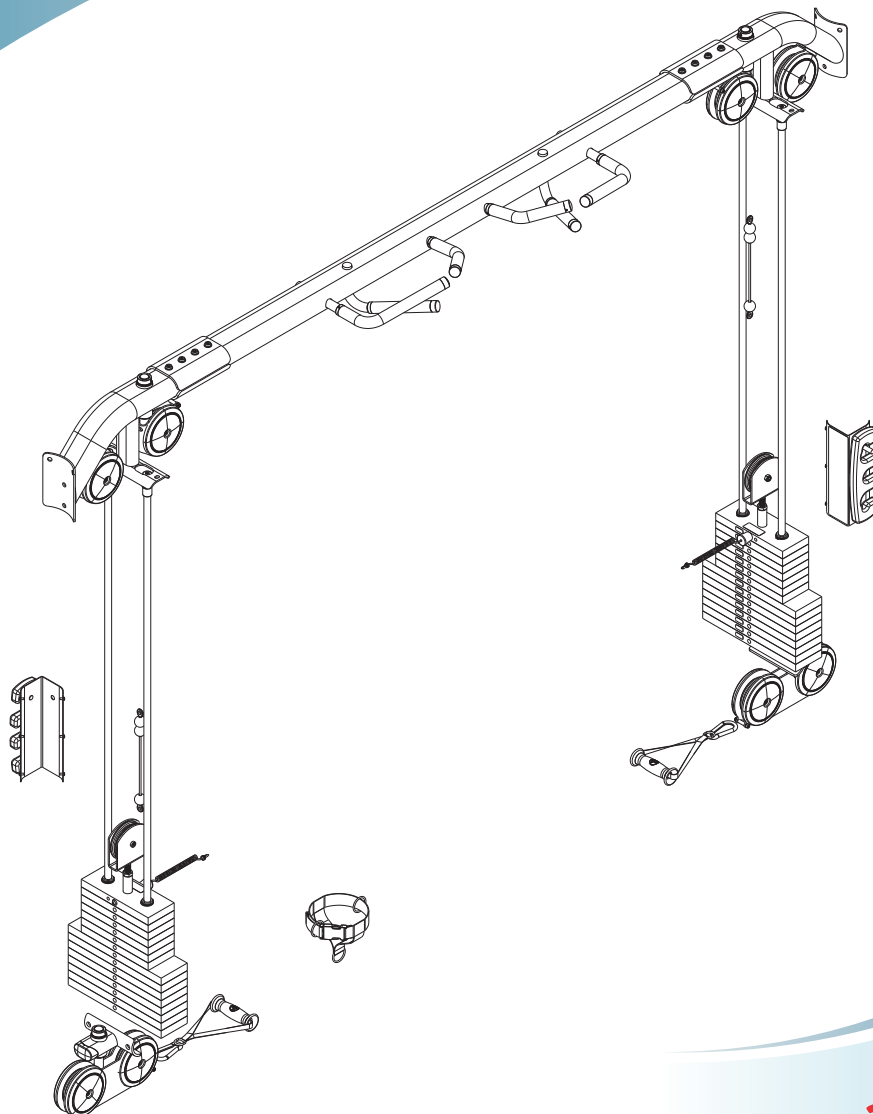


Signature Series Multi-Jungle MJFXO Fixed Crossover

MJFXO

Parts List



MJFXO FIXED CROSSOVER CONTENTS

FRAME AND UPHOLSTERY COLORS 3

MJ CORE ASSEMBLY 4

COMPONENT ASSEMBLY 5

COMPONENT ASSEMBLY LEGEND 6

MJ CORE CONNECTING HARDWARE 7

MJ X-BEAM ASSEMBLY 8

MJFCO BOOM ASSEMBLY 9

MJ X-OVER BOTTOM ASSEMBLY 10

WEIGHT STACK ASSEMBLY 11

CABLE ROUTING GUIDE 12

MJFXO FIXED CROSSOVER FRAME AND UPHOLSTERY COLORS

Strength Frame Colors



Platinum



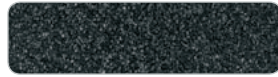
White



Black



Ice Blue Metallic



Midnight Metallic



Nickel



Blue



Red



Yellow



Candy Apple Red

Note: Include frame color in pick-slip notes when ordering frame assemblies or weldments.

Strength Upholstery Colors



American Beauty Red 07



Azure 20



Black 01



Cranberry 04



Graphite 22



Hunter Green 13



Regimental Blue 14



Royal Blue 02



Slate 03



Wheat 21



Burgundy 29



Candy Apple Red 28



Chestnut 34



Concord 16



Crocus 19



Dove Gray 37



Emerald 27



Grotto 25



Gun Metal 39



Imperial Blue 33



Jade 26



Navy 32



Northwoods Green 05



Paprika 35



Plum 30



Putty 38



Space Blue 06



Suede 08



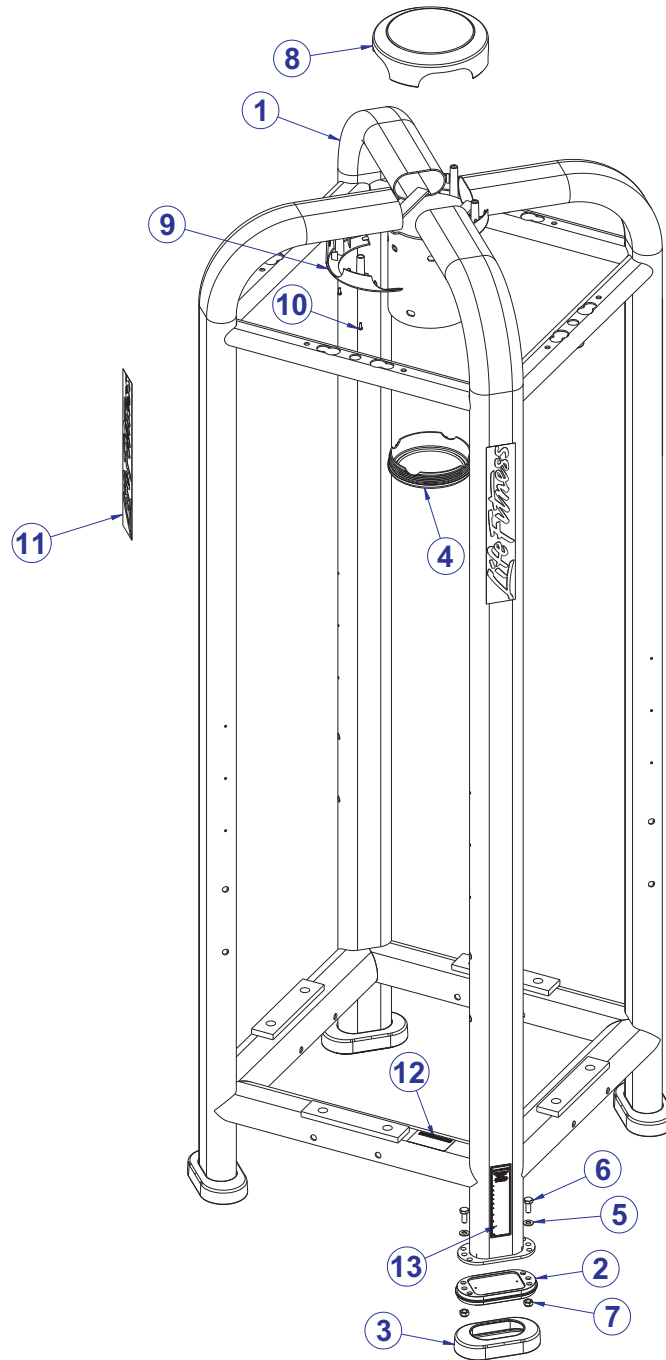
Terra Cotta 36



Turquoise 17

Note: Replace XX with above color suffix when ordering pads (ie. 74123XX = 7412301 Black)
Use 99 suffix for custom upholstery.

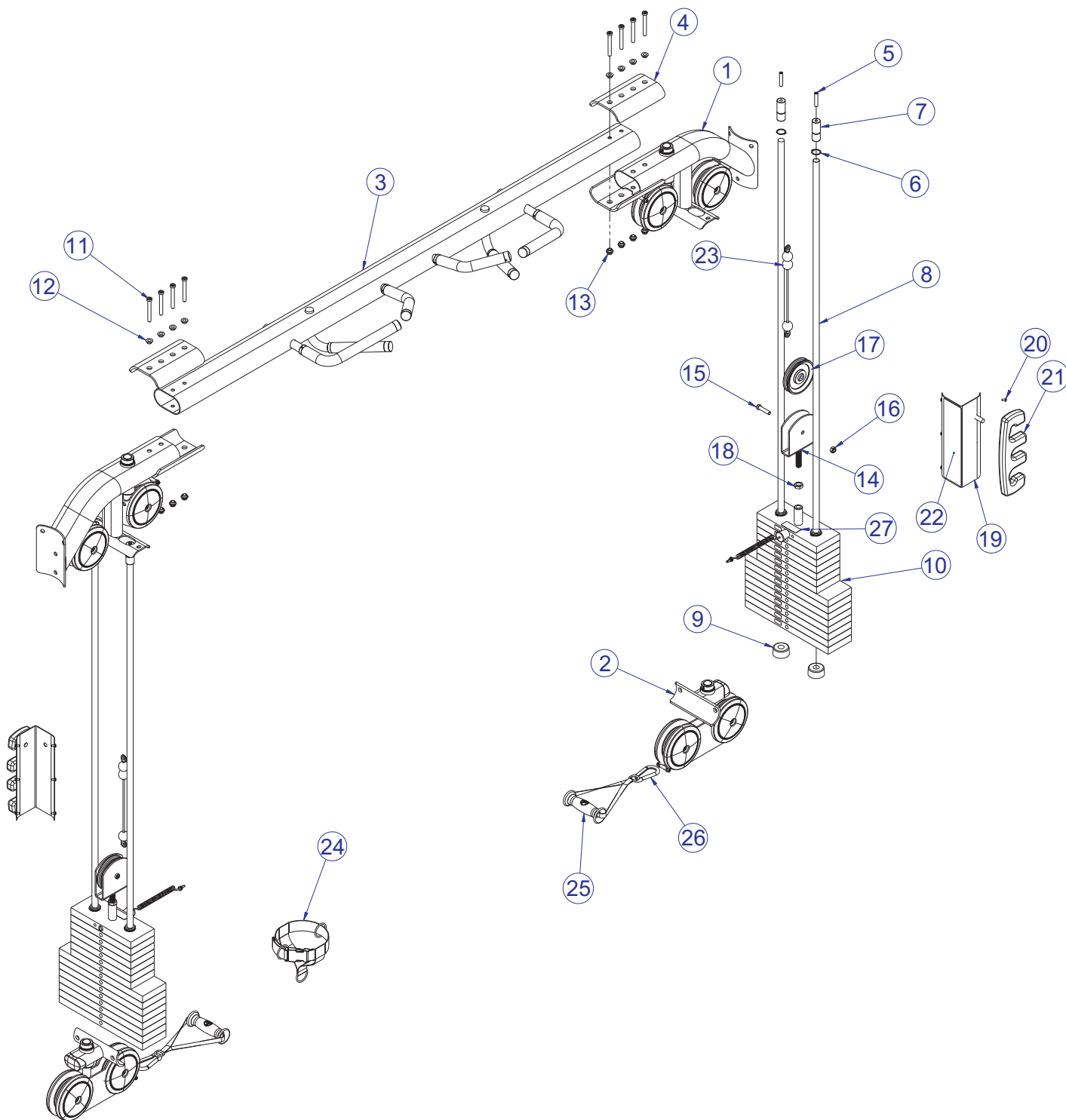
MJFXO FIXED CROSSOVER MJCORE ASSEMBLY



| ITEM NO. | QTY. | PART NO. | DESCRIPTION |
|----------|------|----------|---|
| 1 | 1 | 7628601 | WLDMT, MJCORE |
| 2 | 4 | 7334001 | FOOT, 2.50 X 4.49 FLOV |
| 3 | 4 | 7340201 | COVER, FOOT - STRAIGHT |
| 4 | 1 | 7640401 | COVER, BOTTOM CAP |
| 5 | 28 | 3236601 | WASHER, 3/8 SAE SS |
| 6 | 8 | 3251202 | SCREW, M10 X1.5 X 25MM UNS HEX CS ST ZN |
| 7 | 28 | 3236801 | NUT, M10 HEX NYLOCK SS |
| 8 | 1 | 7629201 | COVER, CENTER TOP |
| 9 | 2 | 7629801 | COVER, CENTER BOTTOM |
| 10 | 4 | 3236501 | M4 X 0.7 PHL PAN MS ST ZN |
| 11 | 4 | 7348001 | LABEL, LIFE FITNESS LOGO |

| ITEM NO. | QTY. | PART NO. | DESCRIPTION |
|----------|------|----------|-------------------------------------|
| 12 | 1 | 7571301 | LABEL, SERIAL NUMBER, BLANK |
| 13 | 1 | 8220001 | LABEL, ASTM, SELECT VERT-ENGLISH |
| | | 8220002 | LABEL, ASTM, SELECT VERT-GERMAN |
| | | 8220003 | LABEL, ASTM, SELECT VERT-FRENCH |
| | | 8220004 | LABEL, ASTM, SELECT VERT-SPANISH |
| | | 8220005 | LABEL, ASTM, SELECT VERT-ITALIAN |
| | | 8220006 | LABEL, ASTM, SELECT VERT-DUTCH |
| | | 8220007 | LABEL, ASTM, SELECT VERT-JAPANESE |
| | | 8220008 | LABEL, ASTM, SELECT VERT-PORTUGUESE |
| | | 8220010 | LABEL, ASTM, SELECT VERT-RUSSIAN |
| | | 8220011 | LABEL, ASTM, SELECT VERT-TURKISH |

MJFXO FIXED CROSSOVER COMPONENT ASSEMBLY

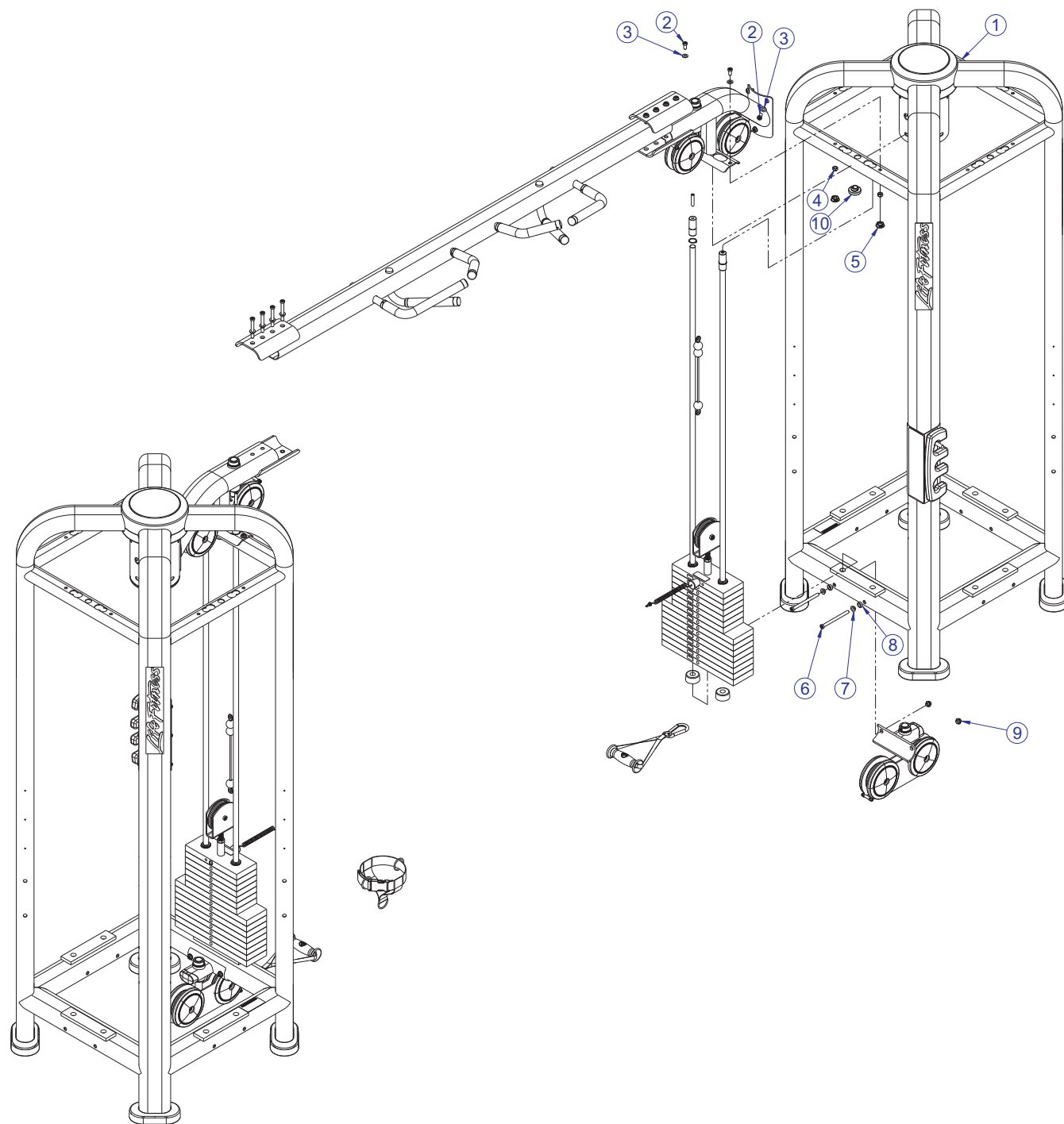


SEE PAGE 6 FOR LEGEND

MJFXO FIXED CROSSOVER COMPONENT ASSEMBLY LEGEND

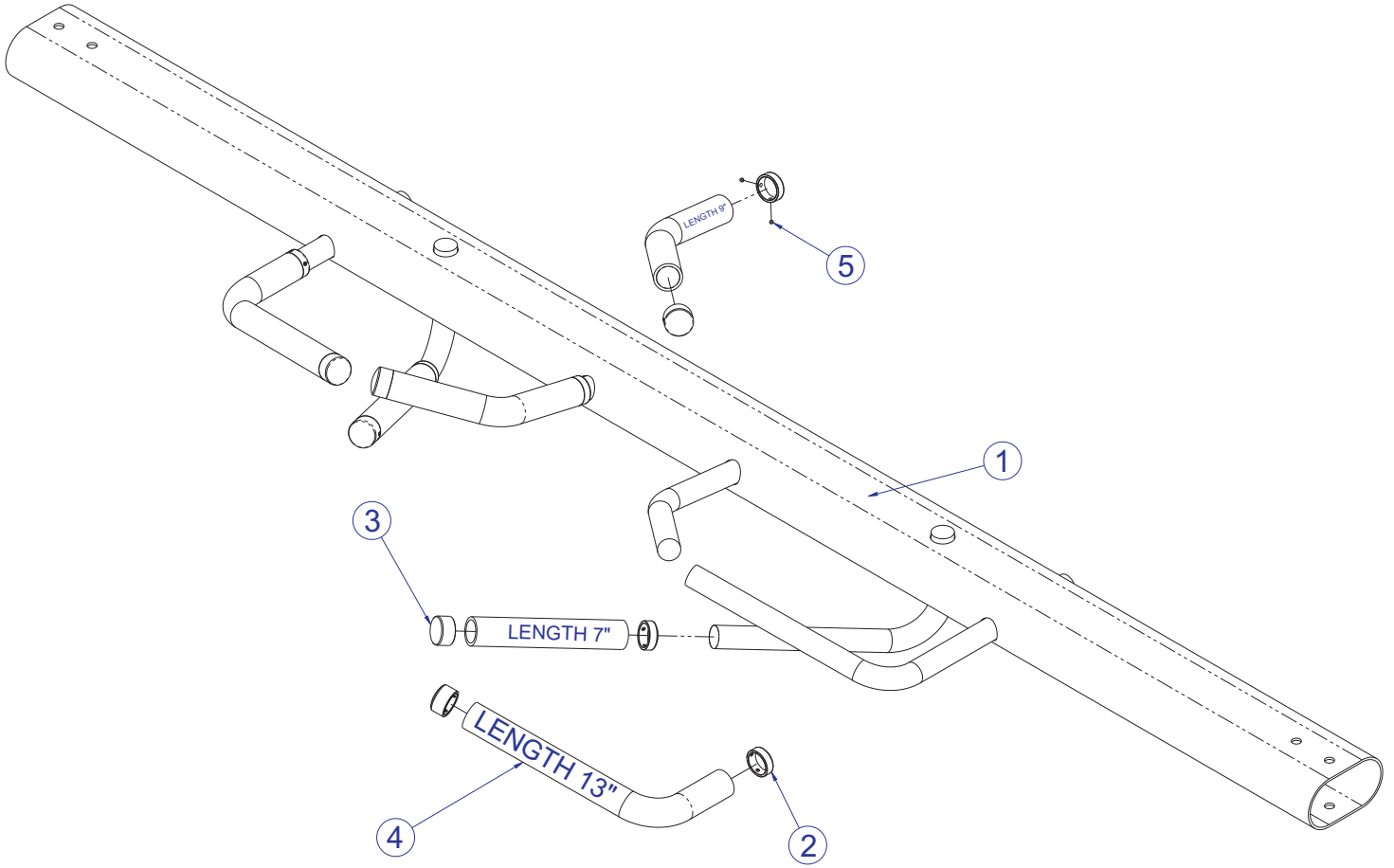
| ITEM NO. | QTY. | PART NO. | DESCRIPTION | FRAME COLOR |
|----------|------|----------|--------------------------------------|-------------|
| 1 | 2 | 7640701 | ASSY, MJFXO BOOM | ANY |
| 2 | 2 | 7636101 | ASSY, MJ X-OVER BOTTOM | ANY |
| 3 | 1 | 7640601 | ASSY, MJ X-BEAM | ANY |
| 4 | 2 | 7633201 | BRKT, MJ LRG OVAL | ANY |
| 5 | 4 | 3240502 | M10 X 1.5 X 50 HXS NO CUP ST BO | - |
| 6 | 4 | 3232421 | RING, BRE .940, 5100-100 ST PP B | - |
| 7 | 4 | 7634401 | RETAINER, CM/MJ, GUIDEROD | - |
| 8 | 4 | 7328618 | GUIDE ROD, .75 OD SOLID 71.50 | - |
| 9 | 4 | 7352101 | CUSHION, WEIGHT STACK | - |
| 10 | 2 | 7647501 | ASSY, 190LB STACK | - |
| 11 | 8 | 3236213 | SCREW, M10 X1.5 80MM | - |
| 12 | 8 | 7630101 | RETAINER, CM/MJ, PULLEY | - |
| 13 | 8 | 7335401 | NUT, M10 X 1.5 SOCKET HEAD | - |
| 14 | 2 | 7642295 | WLDMNT, CM/MJ STK PULLEY | SD. GRAY |
| 15 | 2 | 3236206 | SCREW, M10 X1.5 45MM | - |
| 16 | 2 | 3236801 | NUT, M10 HEX NYLOCK SS | - |
| 17 | 2 | 3237801 | PULLEY, 4.5" OD | - |
| 18 | 2 | 3236902 | NUT, M16 X 2 HEX JAM SS | - |
| 19 | 2 | 7647001 | WLDMT, CM/MJ, PLACARD BRKT | ANY |
| 20 | 12 | 3239101 | SCREW, M5 X .8 X 10 PHL PAN TT ST BZ | - |
| 21 | 2 | 7711501 | WEIGHT, 5 LB. ADD-ON | - |
| 22 | 2 | 7733901 | LABEL, PLACARD CM/MJ CROSSOVER | - |
| 23 | 2 | 7732201 | CABLE, CM/MJFXO | - |
| 24 | 1 | 7734701 | STRAP, 4-WAY ANKLE | - |
| 25 | 2 | 8219601 | HANDLE, CM/MJ, SHORT STRAP | - |
| 26 | 2 | 3250201 | SNAP LINK, 3/8" DIA | - |
| 27 | 2 | 7744501 | LABEL, WEIGHT AT HANDLE | - |

MJFXO FIXED CROSSOVER MJ CORE CONNECTING HARDWARE



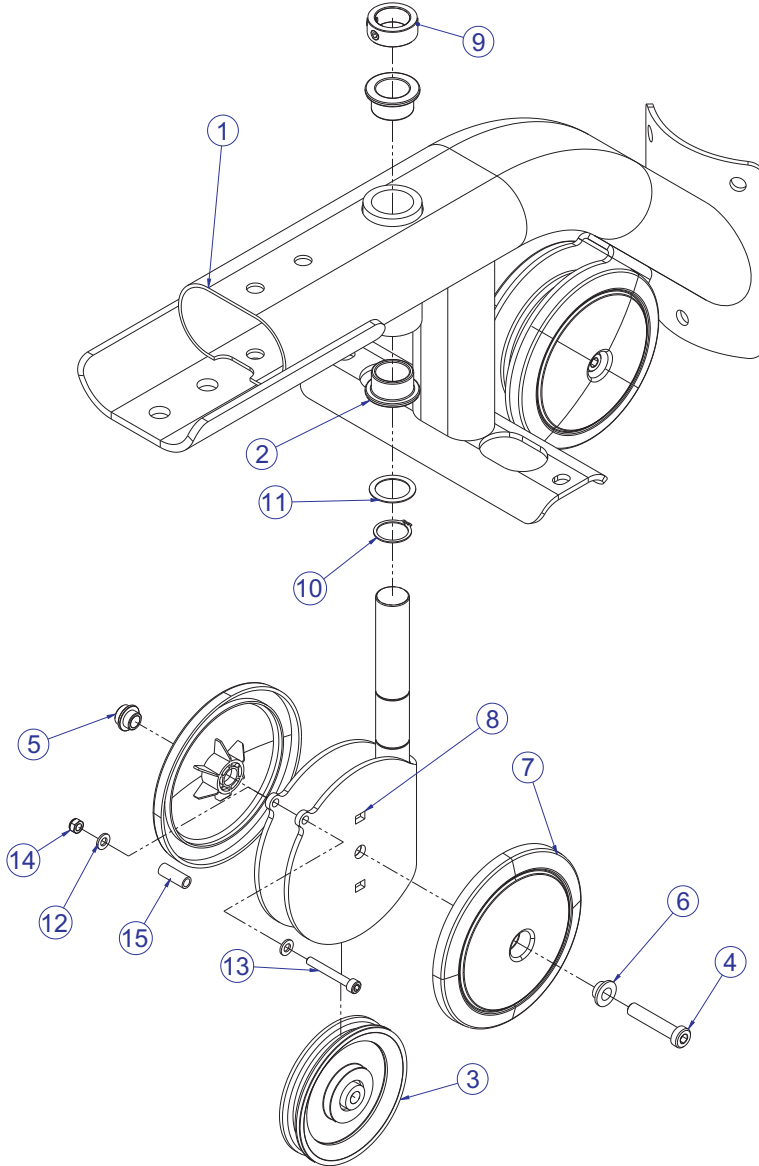
| ITEM NO. | QTY. | PART NO. | DESCRIPTION | FRAME COLOR |
|----------|------|-------------|---------------------------------|-------------|
| 1 | N/A | MJCORE-ASSY | ASSY, COMPONENTS MJCORE | ANY |
| 2 | 10 | 3236202 | M10 X 1.5 X 25 SHCS, LOW HEAD | - |
| 3 | 10 | 3236601 | WASHER, 3/8 SAE STAINLESS STEEL | - |
| 4 | 10 | 3236801 | NUT, NYLOCK M10 X 1.5 SS | - |
| 5 | 4 | 3237403 | PLUG, 1" HOLE | - |
| 6 | 4 | 3236220 | M10 X 1.5 X 130 SHCS, LOW HEAD | - |
| 7 | 12 | 7630101 | RETAINER, CM/MJ, PULLEY | - |
| 8 | 4 | 7634701 | SPACER, CM/MJ, .565 X .815 | - |
| 9 | 10 | 7335401 | NUT, SOCKET HEAD M10 X 1.5 SS | - |
| 10 | 2 | 7642301 | BUMPER, CM/MJ, PLUG | - |

MJFXO FIXED CROSSOVER MJ X-BEAM ASSEMBLY - 7640601



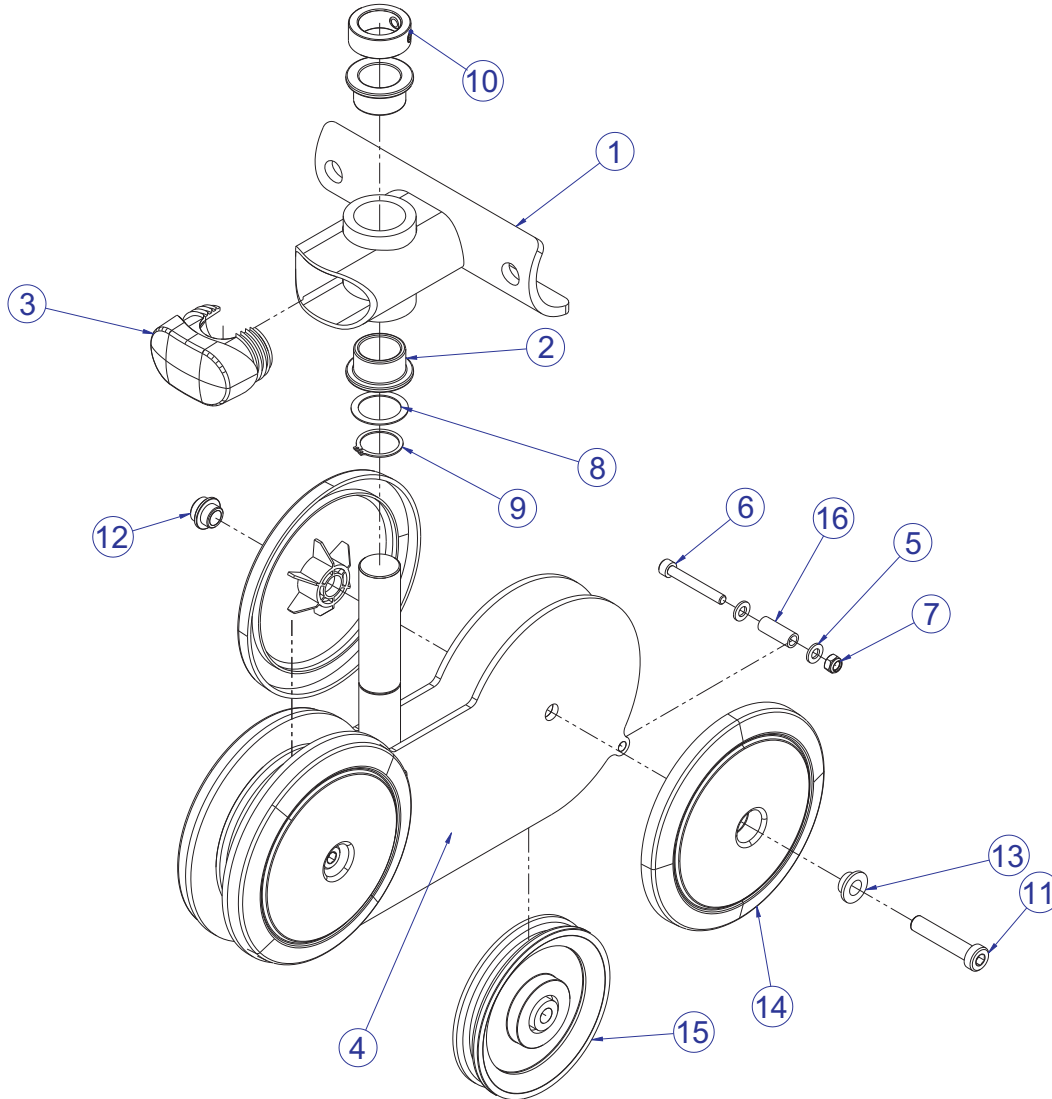
| ITEM NO. | QTY. | PART NO. | DESCRIPTION | FRAME COLOR |
|----------|------|----------|----------------------------|-------------|
| 1 | 1 | 7632701 | WLDMT, MJ X-BEAM | ANY |
| 2 | 6 | 7662801 | RING, GRIP 1.25 OD | - |
| 3 | 6 | 7662901 | CAP, GRIP 1.25 OD | - |
| 4 | 6 | 3235801 | GRIP, SHADOW GREY OPEN END | - |
| 5 | 24 | 3247701 | M4 X .7 HXS NO CUP ST BO | - |

MJFXO FIXED CROSSOVER MJFXO BOOM ASSEMBLY - 7640701



| ITEM NO. | QTY. | PART NO. | DESCRIPTION | FRAME COLOR |
|----------|------|----------|------------------------------------|-------------|
| 1 | 1 | 7636201 | WLDMNT, MJFCO/FXO BOOM | ANY |
| 2 | 2 | 3104903 | 1.00" ID 1.25" OD BRONZ BUSHING | - |
| 3 | 2 | 3237801 | PULLEY, 4.5" OD | - |
| 4 | 2 | 3236207 | SCREW, M10 X1.5 50MM | - |
| 5 | 2 | 7335401 | NUT, M10 X 1.5 SOCKET HEAD | - |
| 6 | 2 | 7630101 | RETAINER, CM/MJ, PULLEY | - |
| 7 | 4 | 7629901 | COVER, PULLEY- BOLTED FULL | - |
| 8 | 1 | 7638101 | WLDMT, MJ, X-OVER PULLEY | ANY |
| 9 | 1 | 7435301 | COLLAR, SHAFT 1.020 ID | - |
| 10 | 1 | 3232421 | RING, BRE .940, 5100-100 ST PP B | - |
| 11 | 1 | 3225005 | WASHER, 1.031-1.375-031 SPEC ST ZN | - |
| 12 | 2 | 3241801 | WASHER, FLAT 6MM SS | - |
| 13 | 1 | 3241706 | SCREW, M6 X1 45MM | - |
| 14 | 1 | 3236802 | NUT, M6 HEX NYLOCK SS | - |
| 15 | 1 | 8002401 | SPACER, CM/MJ PULLEY | - |

MJFXO ADJUSTABLE CROSSOVER MJ-X OVER BOTTOM ASSEMBLY - 7636101

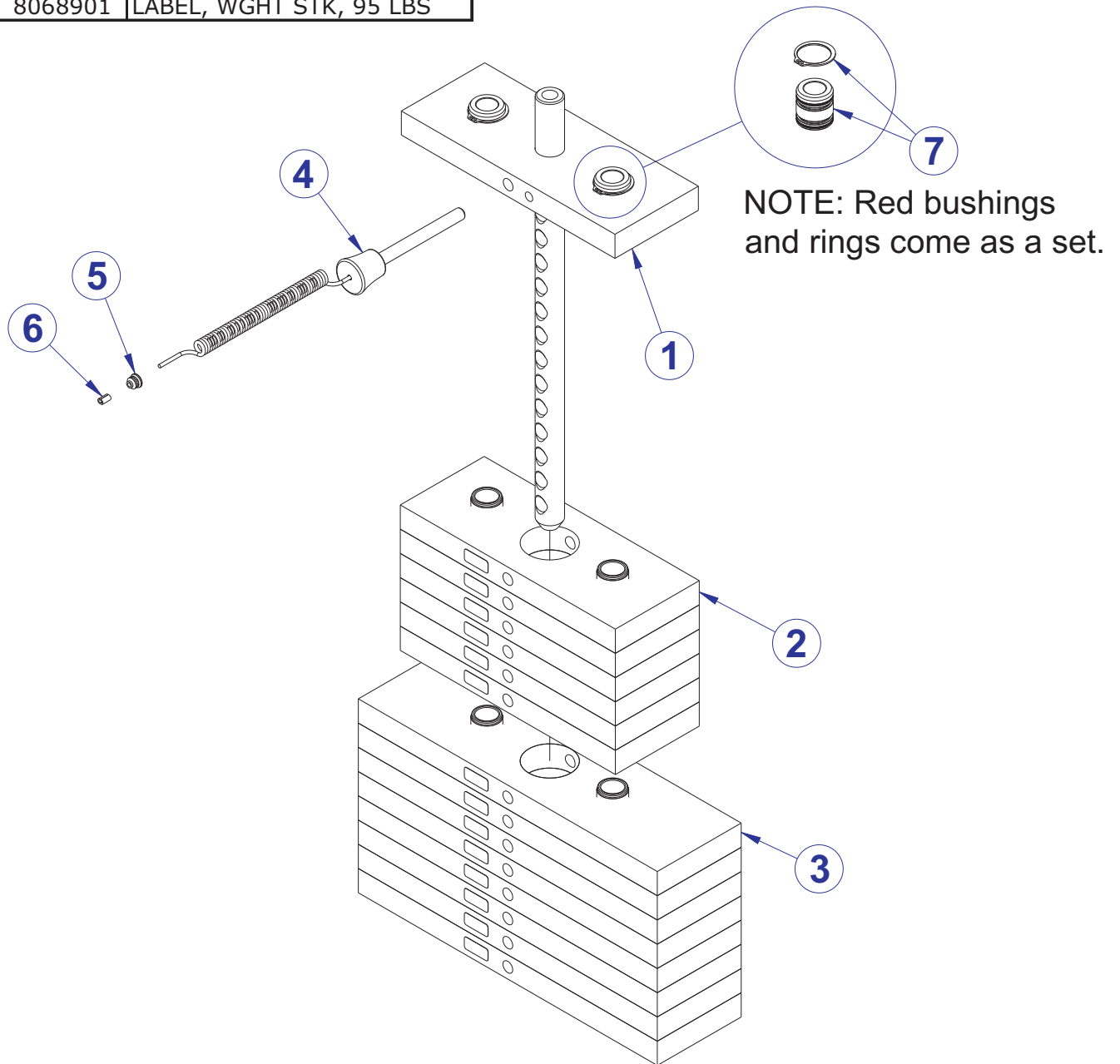


| ITEM NO. | QTY. | PART NO. | DESCRIPTION | FRAME COLOR |
|----------|------|----------|------------------------------------|-------------|
| 1 | 1 | 7635901 | WLDMNT, MJFCO/FXO PULLEY SPRT | ANY |
| 2 | 2 | 3104903 | 1.00" ID 1.25" OD BRONZ BUSHING | - |
| 3 | 1 | 7333801 | CAP, SMALL FLOV- END | - |
| 4 | 1 | 7635601 | WLDMNT, MJFCO/FXO BOTTOM PULLEY | ANY |
| 5 | 2 | 3241801 | WASHER, FLAT 6MM SS | - |
| 6 | 1 | 3241706 | SCREW, M6 X1 45MM | - |
| 7 | 1 | 3236802 | NUT, M6 HEX NYLOCK SS | - |
| 8 | 1 | 3225005 | WASHER, 1.031-1.375-031 SPEC ST ZN | - |
| 9 | 1 | 3232421 | RING, BRE .940, 5100-100 ST PP B | - |
| 10 | 1 | 7435301 | COLLAR, SHAFT 1.020 ID | - |
| 11 | 2 | 3236207 | SCREW, M10 X1.5 50MM | - |
| 12 | 2 | 7335401 | NUT, M10 X 1.5 SOCKET HEAD | - |
| 13 | 2 | 7630101 | RETAINER, CM/MJ, PULLEY | - |
| 14 | 4 | 7629901 | COVER, PULLEY- BOLTED FULL | - |
| 15 | 2 | 3237801 | PULLEY, 4.5" OD | - |
| 16 | 1 | 8002401 | SPACER, CM/MJ PULLEY | - |

MJFXO FIXED CROSSOVER 190 LB. WEIGHT STACK ASSEMBLY - 7647501

WEIGHT STACK LABELS

| QTY. | PART NO. | DESCRIPTION |
|------|----------|--------------------------|
| 2 | 8069101 | LABEL, WGHT STK, 45.5 KG |
| 2 | 8068901 | LABEL, WGHT STK, 95 LBS |



| ITEM NO. | QTY. | PART NO. | DESCRIPTION |
|----------|------|----------|---|
| 1 | 1 | 8920101 | 14 HOLE HEAD PLATE/BAYONET SER. KIT ASSY |
| 2 | 6 | 7353701 | ASSY, 10 LB PLATE |
| 3 | 8 | 7353801 | ASSY, 15 LB PLATE |
| 4 | 1 | 7353001 | ASSY, SELECTOR PIN |
| | | 8981903 | ASSY, WT STACK SELECTOR PIN, SRT - YELLOW |
| 5 | 1 | 7356501 | PLUG, LANYARD ATTACHMENT |
| 6 | 1 | 7523601 | CRIMP, CABLE |
| 7 | 2 | 7338001 | BUSHING, HEADPLATE |

MJFXO FIXED CROSSOVER MJFXO CABLE ROUTING GUIDE

