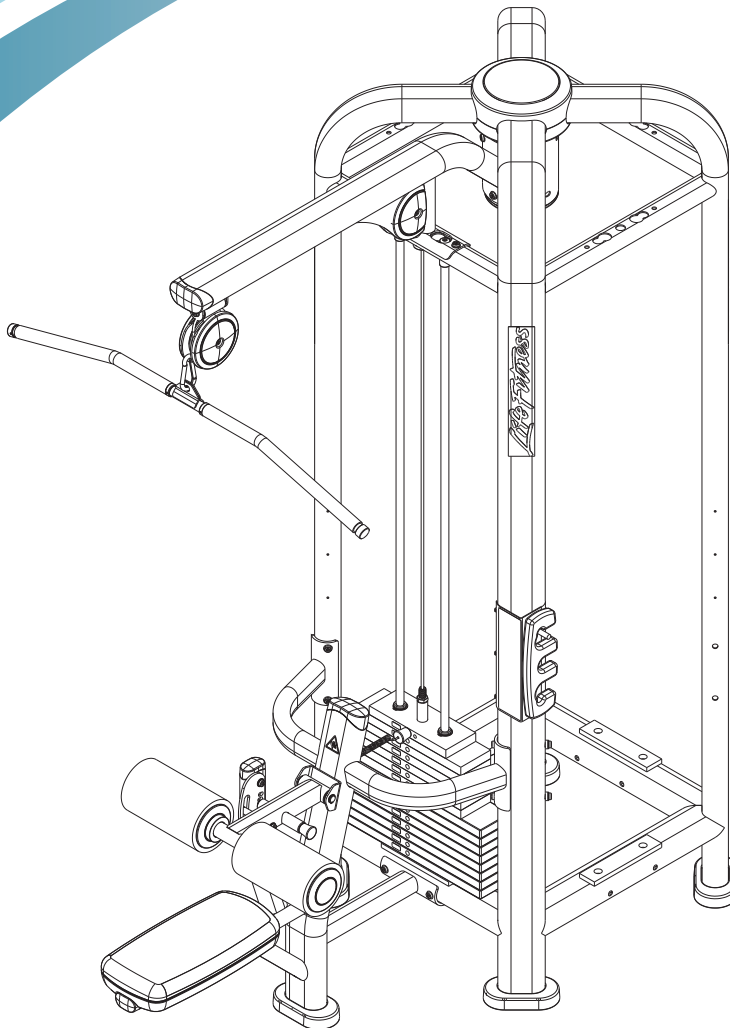


Signature Series Multi-Jungle Lat Pulldown MJLP

Parts List



MJLP LAT PULLDOWN CONTENTS

FRAME AND UPHOLSTERY COLORS..... 3

MJCORE ASSEMBLY..... 4

COMPONENT ASSEMBLY..... 5

COMPONENT ASSEMBLY LEGEND..... 6

MJLP BOOM ASSEMBLY..... 7

SWIVEL PULLEY ASSEMBLY..... 8

MJLP BENCH ASSEMBLY..... 9

THIGH HOLD DOWN ASSEMBLY..... 10

LAT BAR ASSEMBLY..... 11

WEIGHT STACK ASSEMBLY..... 12

MJLP LAT PULLDOWN FRAME AND UPHOLSTERY COLORS

Strength Frame Colors



Platinum



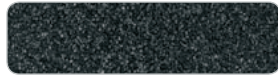
White



Black



Ice Blue Metallic



Midnight Metallic



Nickel



Blue



Red



Yellow



Candy Apple Red

Note: Include frame color in pick-slip notes when ordering frame assemblies or weldments.

Strength Upholstery Colors



American Beauty Red 07



Azure 20



Black 01



Cranberry 04



Graphite 22



Hunter Green 13



Regimental Blue 14



Royal Blue 02



Slate 03



Wheat 21



Burgundy 29



Candy Apple Red 28



Chestnut 34



Concord 16



Crocus 19



Dove Gray 37



Emerald 27



Grotto 25



Gun Metal 39



Imperial Blue 33



Jade 26



Navy 32



Northwoods Green 05



Paprika 35



Plum 30



Putty 38



Space Blue 06



Suede 08



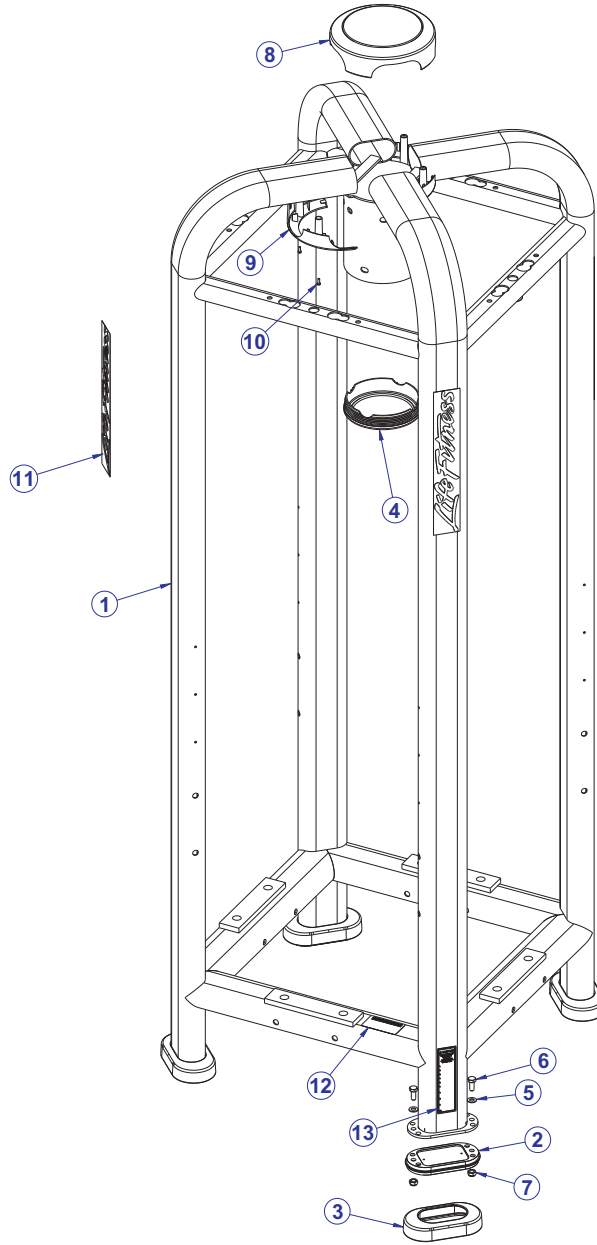
Terra Cotta 36



Turquoise 17

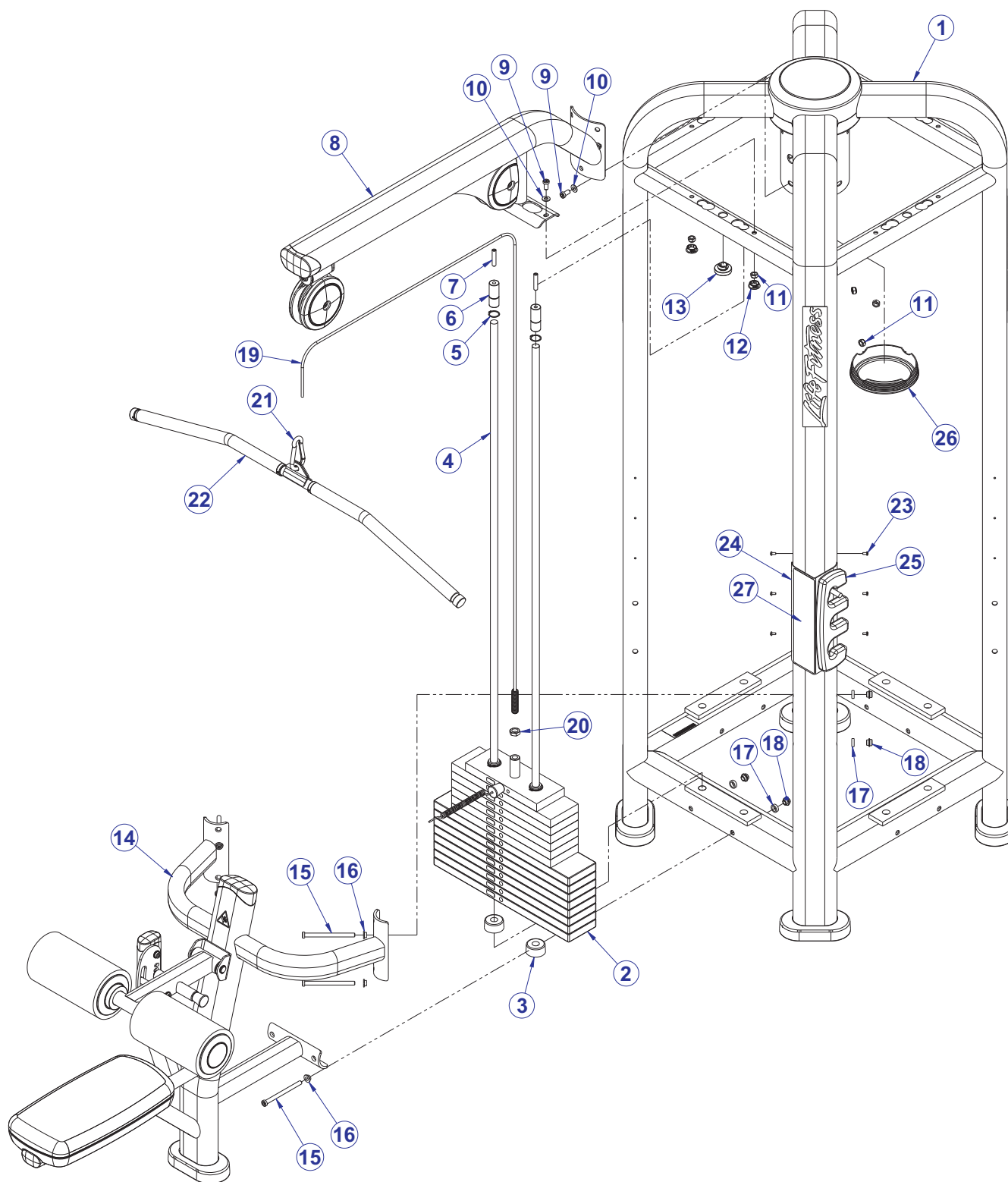
Note: Replace XX with above color suffix when ordering pads (ie. 74123XX = 7412301 Black)
Use 99 suffix for custom upholstery.

MJLP LAT PULLDOWN MJCORE ASSEMBLY



ITEM NO.	QTY.	PART NO.	DESCRIPTION	FRAME COLOR
1	1	7628601	WLDMT, MJCORE	ANY
2	4	7334001	FOOT, 2.50 X 4.49 FLOV	-
3	4	7340201	COVER, FOOT - STRAIGHT	-
4	1	7640401	COVER, BOTTOM CAP	-
5	28	3236601	WASHER, 3/8 SAE SS	-
6	8	3251202	SCREW, M10 X1.5 X 25MM UNS HEX CS ST ZN	-
7	28	3236801	NUT, M10 HEX NYLOCK SS	-
8	1	7629201	COVER, CENTER TOP	-
9	2	7629801	COVER, CENTER BOTTOM	-
10	4	3236501	M4 X 0.7 PHL PAN MS ST ZN	-
11	4	7348001	LABEL, LIFE FITNESS LOGO	-
12	1	7571301	LABEL, SERIAL NUMBER, BLANK	-
13	1	8220001	LABEL, ASTM WARNING SELECT-ENGLISH	-
		8220002	LABEL, ASTM WARNING SELECT-GERMAN	-
		8220003	LABEL, ASTM WARNING SELECT-FRENCH	-
		8220004	LABEL, ASTM WARNING SELECT-SPANISH	-
		8220005	LABEL, ASTM WARNING SELECT-ITALIAN	-
		8220006	LABEL, ASTM WARNING SELECT-DUTCH	-
		8220007	LABEL, ASTM WARNING SELECT-JAPANESE	-
		8220008	LABEL, ASTM WARNING SELECT-PORTUGUESE	-
		8220010	LABEL, ASTM WARNING SELECT-RUSSIAN	-
		8220011	LABEL, ASTM WARNING SELECT-TURKISH	-

MJLP LAT PULLDOWN COMPONENT ASSEMBLY



SEE PAGE 6 FOR LEGEND

MJLP LAT PULLDOWN COMPONENT ASSEMBLY LEGEND

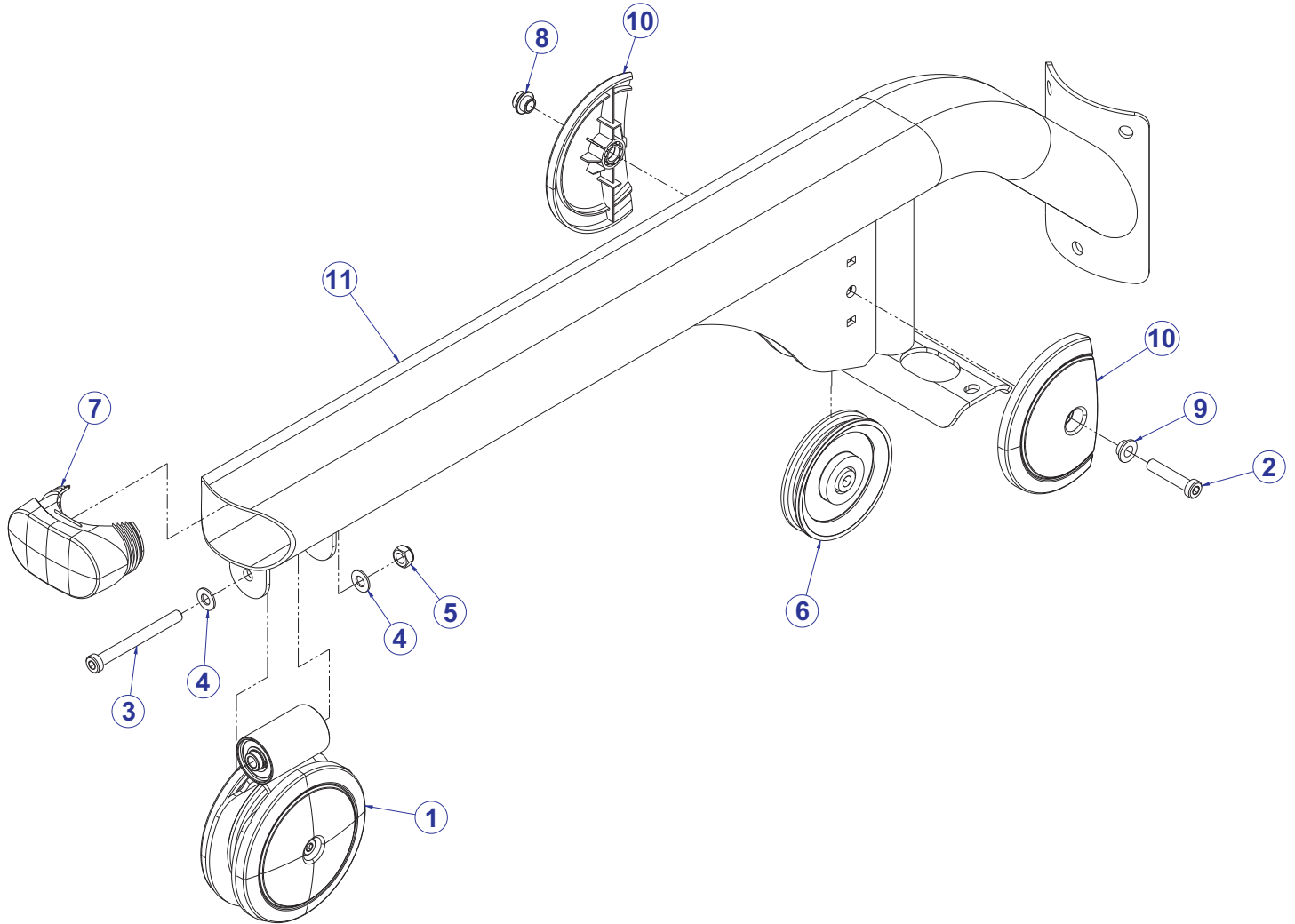
ITEM NO.	QTY.	PART NO.	DESCRIPTION	FRAME COLOR
1	1	MJCORE-ASSY	ASSY, COMPONENTS MJCORE	ANY
2	1	7640201	ASSY, 260LB STACK	-
3	2	7352101	CUSHION, WEIGHT STACK	-
4	2	7328618	GUIDE ROD, .75 OD SOLID 71.63	-
5	2	3232421	RING, BRE .940, 5100-100 ST PP B	-
6	2	7634401	RETAINER, CM/MJ, GUIDEROD	-
7	2	3240502	M10 X 1.5 X 50 HXS NO CUP ST BO	-
8	1	8936301	ASSY, MJLP, BOOM, SWIVEL	ANY
9	5	3236202	SCREW, M10 X1.5 25MM	-
10	5	3236601	WASHER, 3/8 SAE SS	-
11	5	3236801	NUT, M10 HEX NYLOCK SS	-
12	2	3237403	PLUG, 1" HOLE	-
13	1	7642301	BUMPER, CM/MJ, PLUG	-
14	1	SEE PAGE 9	ASSY, MJLP/LPD BENCH	ANY
15	6	3236220	SCREW, M10 X1.5 130MM	-
16	6	7630101	RETAINER, CM/MJ, PULLEY	-
17	6	7634701	SPACER, CM/MJ, .565 X .815	-
18	6	7335401	NUT, M10 X 1.5 SOCKET HEAD	-
19	1	7423903	CABLE, MJLP (w/o Nylon Ball)	-
	-OR-	<i>CABLES ARE REVERSE COMPATIBLE</i>		
	1	7645602	CABLE, MJLP (with Nylon Ball)	-
20	1	3236902	NUT, M16 X 2 HEX JAM SS	-
21	1	3250201	SNAP LINK, 3/8" DIA	-
22	1	7442301	PTD ASSY, LAT BAR	SD GRAY
23	6	3239101	SCREW, M5X10 PHL PAN TT ST	-
24	1	7647001	PLACARD BRACKET	ANY
25	1	7711501	WEIGHT, 5 LB. ADD-ON	-
26	1	7640401	COVER, BOTTOM CAP	-
27	1	7734001	LABEL, PLACARD MJLP-ENGLISH	-
		7734002	LABEL, PLACARD MJLP-GERMAN	-
		7734003	LABEL, PLACARD MJLP-FRENCH	-
		7734004	LABEL, PLACARD MJLP-SPANISH	-
		7734005	LABEL, PLACARD MJLP-ITALIAN	-
		7734006	LABEL, PLACARD MJLP-DUTCH	-
		7734007	LABEL, PLACARD MJLP-JAPANESE	-
		7734008	LABEL, PLACARD MJLP-PORTUGUESE	-

Include frame color in pick-slip notes when ordering frame assemblies or weldments.

MJLP LAT PULLDOWN MJLP BOOM ASSEMBLY

NOTE: SWIVEL BOOM BEGAN PRODUCTION APRIL 11, 2011

REFER TO BULLETIN: MJ11041501 MJ Swivel Pulleys (MJRW, MJTP, MJLP) Service_Bulletin.pdf

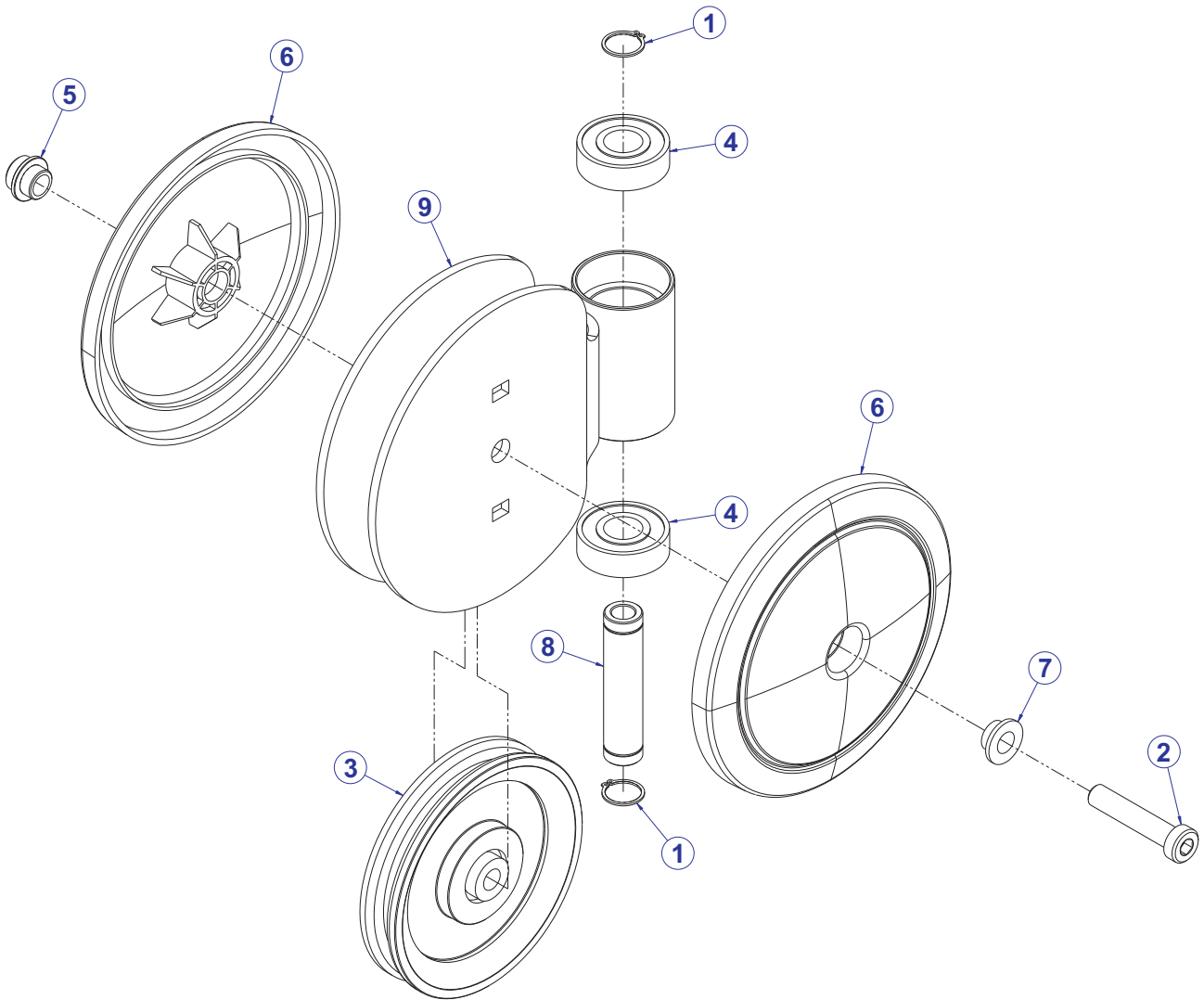


ITEM NO.	QTY.	PART NO.	DESCRIPTION	FRAME COLOR
1	1	8935901	ASSY, CM/MJ, SWIVEL PULLEY W/O BALL STOP OR SLOT	ANY
2	1	3236207	SCREW, M10 X1.5 50MM	-
3	1	3236217	SCREW, M10 X1.5 100MM	-
4	2	3236601	WASHER, 3/8 SAE SS	-
5	1	3236801	NUT, M10 HEX NYLOCK SS	-
6	1	3237801	PULLEY, 4.5" OD	-
7	1	7333901	CAP, LARGE FLOW- END	-
8	1	7335401	NUT, M10 X 1.5 SOCKET HEAD	-
9	1	7630101	RETAINER, CM/MJ, PULLEY	-
10	2	7630001	COVER, PULLEY BOLTED PARTIAL	-
11	1	8927201	WLDMT, MJLP, BOOM, SWIVEL	ANY

Include frame color in pick-slip notes when ordering frame assemblies or weldments.

MJLP LAT PULLDOWN MJLP SWIVEL PULLEY ASSEMBLY - 8935901

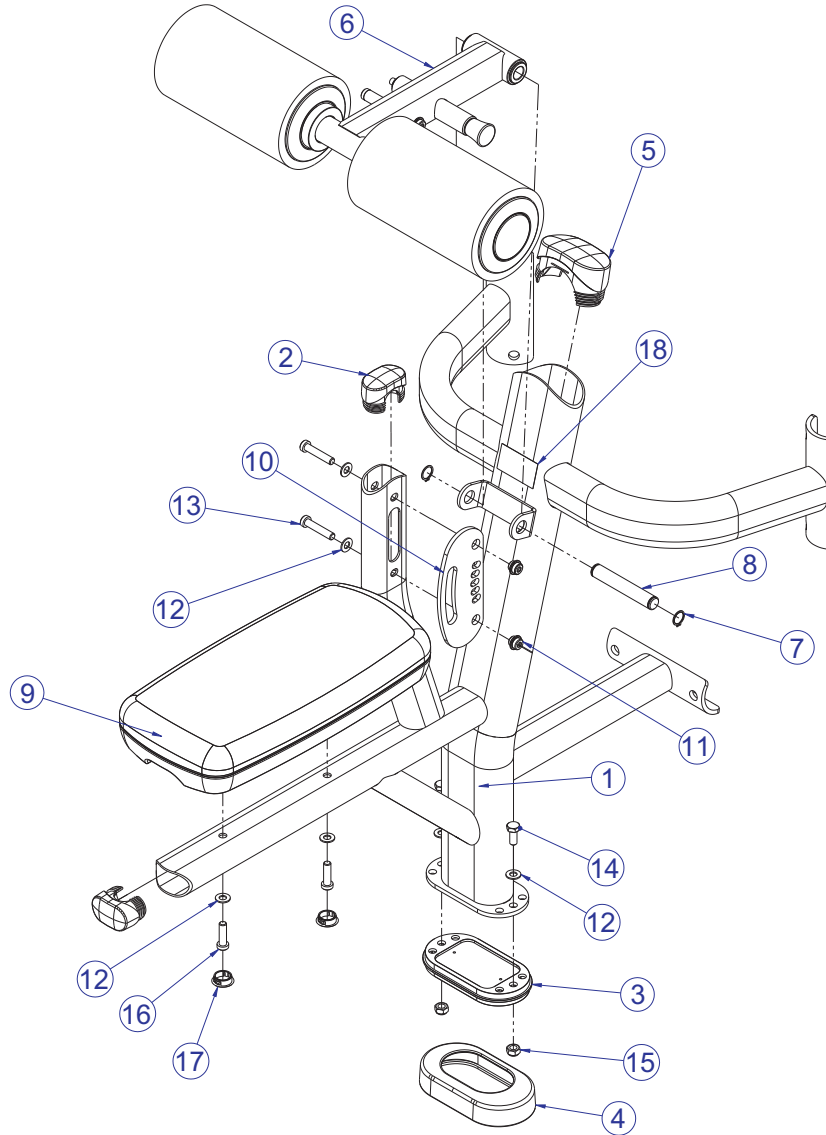
NOTE: SWIVEL PULLEY BEGAN PRODUCTION APRIL 11, 2012



ITEM NO.	QTY.	PART NO.	DESCRIPTION	FRAME COLOR
1	2	3232413	RING, BRE .631, 5100-66, ST PP B	-
2	1	3236207	SCREW, M10 X1.5 50MM	-
3	1	3237801	PULLEY, 4.5" OD	-
4	2	3245901	BEARING, 6203	-
5	1	7335401	NUT, M10 X 1.5 SOCKET HEAD	-
6	2	7629901	COVER, PULLEY- BOLTED FULL	-
7	1	7630101	RETAINER, CM/MJ, PULLEY	-
8	1	7645401	SHAFT, CM/MJ, 6203 BRNG	-
9	1	8935601	WLDMT, MJ, SWIVEL PULLEY W/O BALL STOP & SLOT	ANY

Include frame color in pick-slip notes when ordering frame assemblies or weldments.

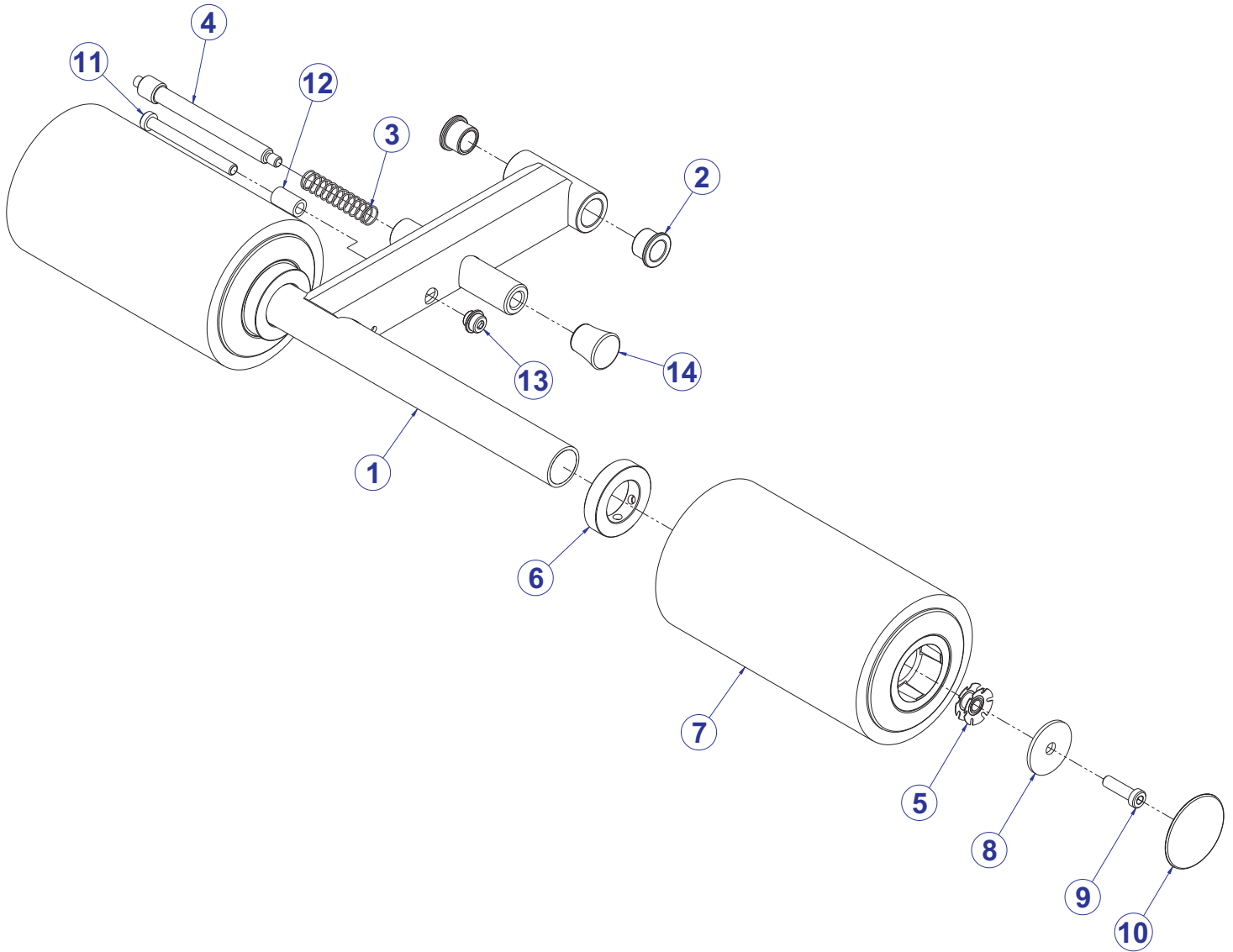
MJLP LAT PULLDOWN MJLP/LPD BENCH ASSEMBLY



ITEM NO.	QTY.	PART NO.	DESCRIPTION	FRAME COLOR
1	1	7631501	WLDMNT, MJLP/LPD BENCH	ANY
2	2	7333801	CAP, SMALL FLOV- END	-
3	1	7334001	FOOT, 2.50 X 4.49 FLOV	-
4	1	7340201	COVER, FOOT - STRAIGHT	-
5	1	7333901	CAP, LARGE FLOV- END	-
6	1	7639701	ASSY, MJLP HOLD DOWN -GRAY KNOB	ANY
		7639703	ASSY, MJLP HOLD DOWN -YELLOW KNOB	
7	2	3232415	RING, BRE .704, 5100-75 ST PP B	-
8	1	7633702	SHAFT, CM/MJ, PIVOT	-
9	1	74689XX	PAD 18 X 9 CONVEX	-
10	1	7633601	PLATE, MJLP/LPD, ADJUST	-
11	2	7335401	NUT, M10 X 1.5 SOCKET HEAD	-
12	6	3236601	WASHER, 3/8 SAE SS	-
13	2	3236207	SCREW, M10 X1.5 50MM	-
14	2	3251202	SCREW, M10 X1.5X25MM UNS HEX CS ST ZN	-
15	2	3236801	NUT, M10 HEX NYLOCK SS	-
16	2	3236204	SCREW, M10 X1.5 35MM	-
17	2	3237403	PLUG, 1" HOLE	-
18	1	7422003	LABEL, MOVING PARTS	-

ITEMS ENDING IN XX ARE COLOR SPECIFIC. SEE PAGE 3 FOR COLOR CHART

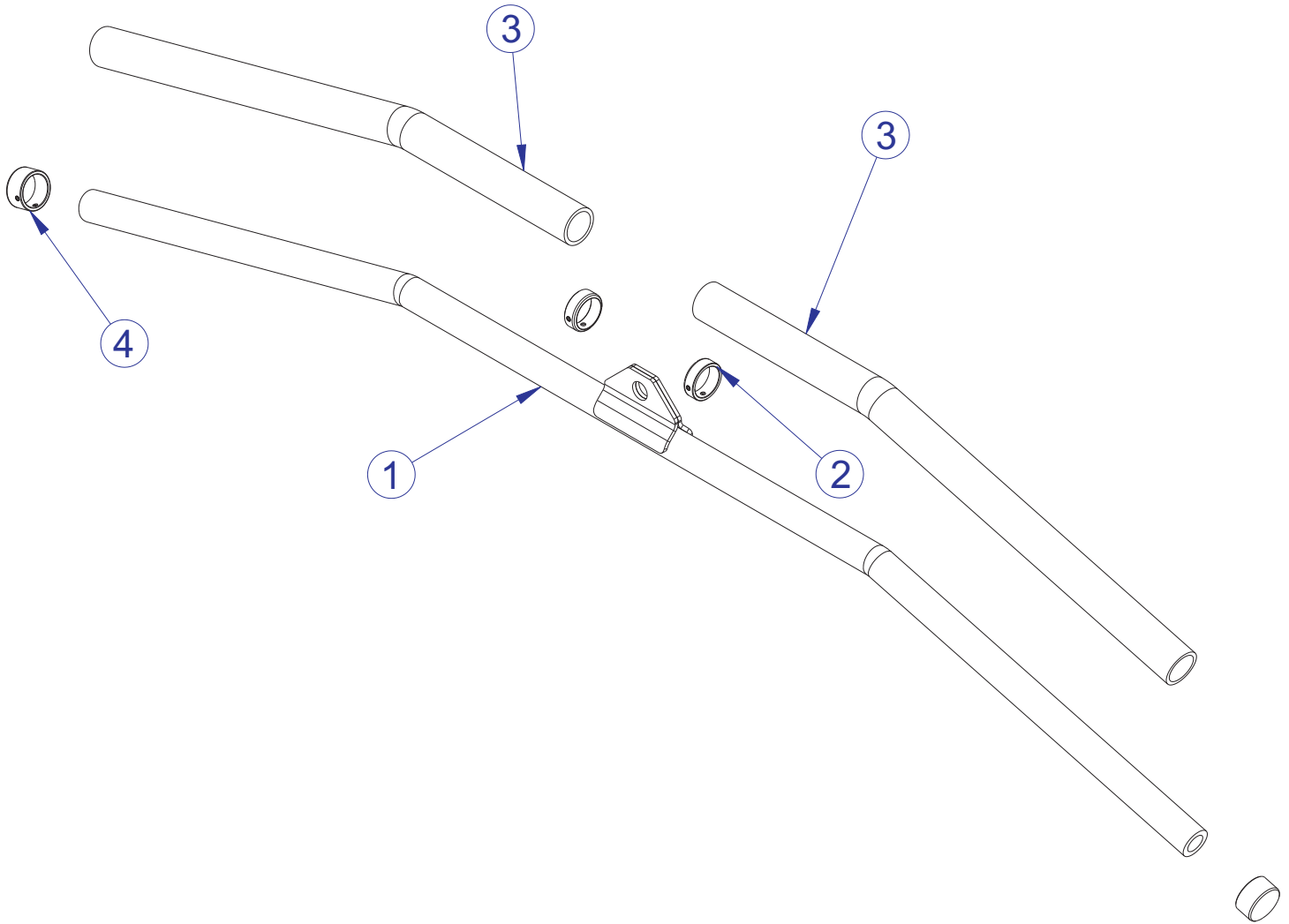
MJLP LAT PULLDOWN MJLP THIGH HOLD DOWN ASSEMBLY



ITEM NO.	QTY.	PART NO.	DESCRIPTION	FRAME COLOR
1	1	7632601	WLDMT, MJLP/LPD HOLD DOWN	ANY
2	2	3104901	.75" ID 1.00" OD BRONZE BUSHING	-
3	1	7351501	SPRING, PULL PIN LARGE	-
4	1	7425102	PIN, PULL X 6.75	-
5	2	7347301	NUT, SPIDER M10 X 1.5	-
6	2	7357901	SHAFT COLLAR, 1-1/2" ID ALUM	-
7	2	74247XX	ASSY, ROLLER PAD - SHORT	-
8	2	7322301	PLATE, 1.97 OD X .44 ID 10GA	-
9	2	3236204	SCREW, M10 X1.5 35MM	-
10	2	7308701	CAP, BEARING HOUSING	-
11	1	3236217	SCREW, M10 X1.5 100MM	-
12	1	7634501	SPACER, CM/MJ, .406 X .630 X 1.06	-
13	1	7335401	NUT, M10 X 1.5 SOCKET HEAD	-
14	1	7351401	KNOB, TULIP STYLE	-
		7424803	KNOB, POP PIN, YELLOW	

ITEMS ENDING IN XX ARE COLOR SPECIFIC. SEE PAGE 3 FOR COLOR CHART

MJLP LAT PULLDOWN LAT BAR ASSEMBLY - 7442301

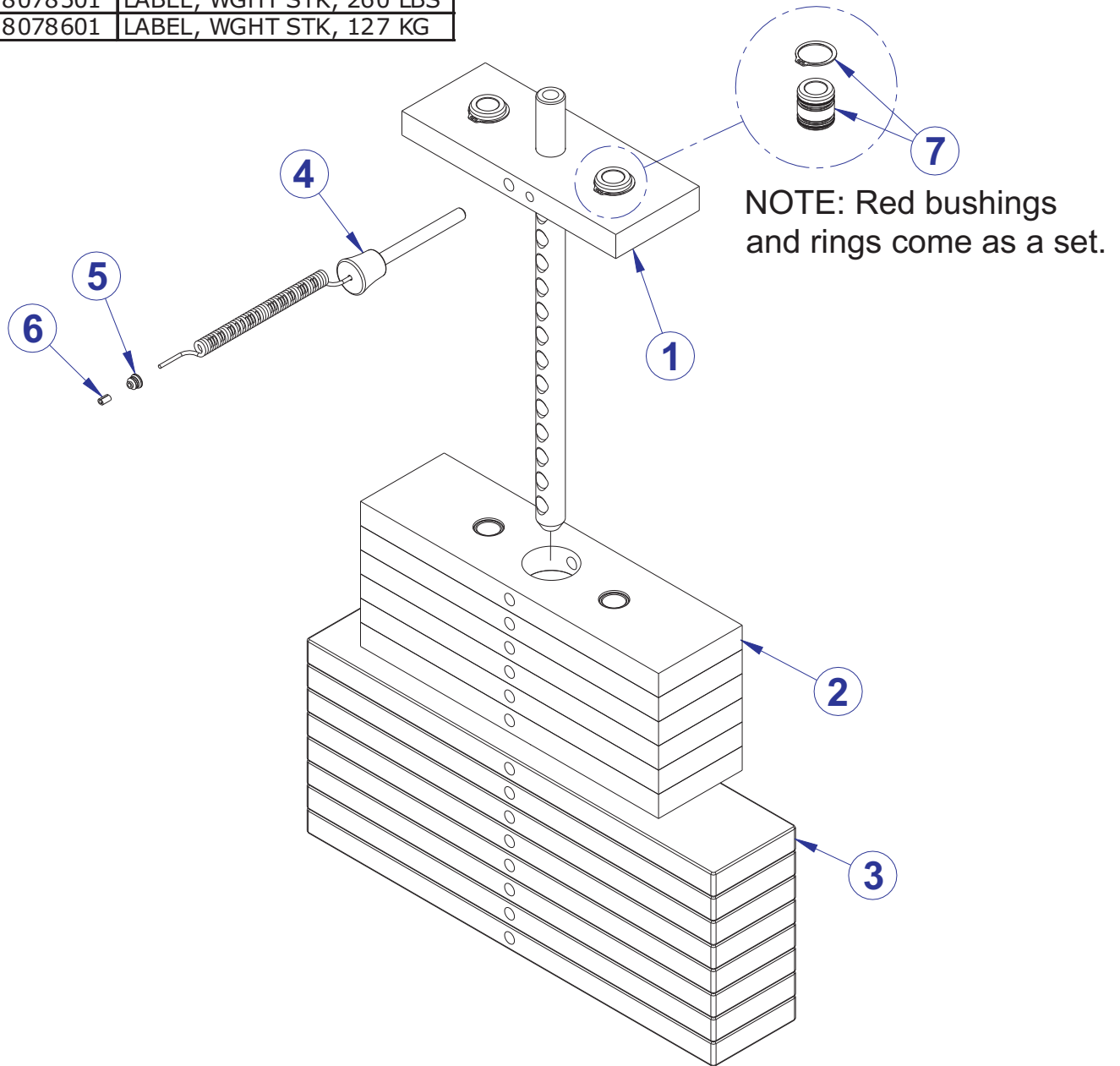


ITEM NO.	QTY.	PART NO.	DESCRIPTION	FRAME COLOR
1	1	7365795	WLDMT-PSPD -LAT BAR	SD GRAY
2	2	7662801	RING, GRIP 1.25 OD	-
3	2	3235801	GRIP, TBC	-
4	2	7662901	CAP, GRIP	-

MJLP LAT PULLDOWN 260LB. WEIGHT STACK ASSEMBLY - 7640201

WEIGHT STACK LABELS

QTY.	PART NO.	DESCRIPTION
1	8078501	LABEL, WGHT STK, 260 LBS
1	8078601	LABEL, WGHT STK, 127 KG



ITEM NO.	QTY.	PART NO.	DESCRIPTION
1	1	8920101	14 HOLE HEAD PLATE/BAYONET SER. KIT ASSY
2	6	7353801	ASSY, 15 LB PLATE
3	8	7328401	WEIGHT PLATE, 20 LB
4	1	7353001	ASSY, SELECTOR PIN
		8981903	ASSY, WT STACK SELECTOR PIN, SRT - YELLOW
5	1	7356501	PLUG, LANYARD ATTACHMENT
6	1	7523601	CRIMP, CABLE
7	2	7338001	BUSHING, HEADPLATE