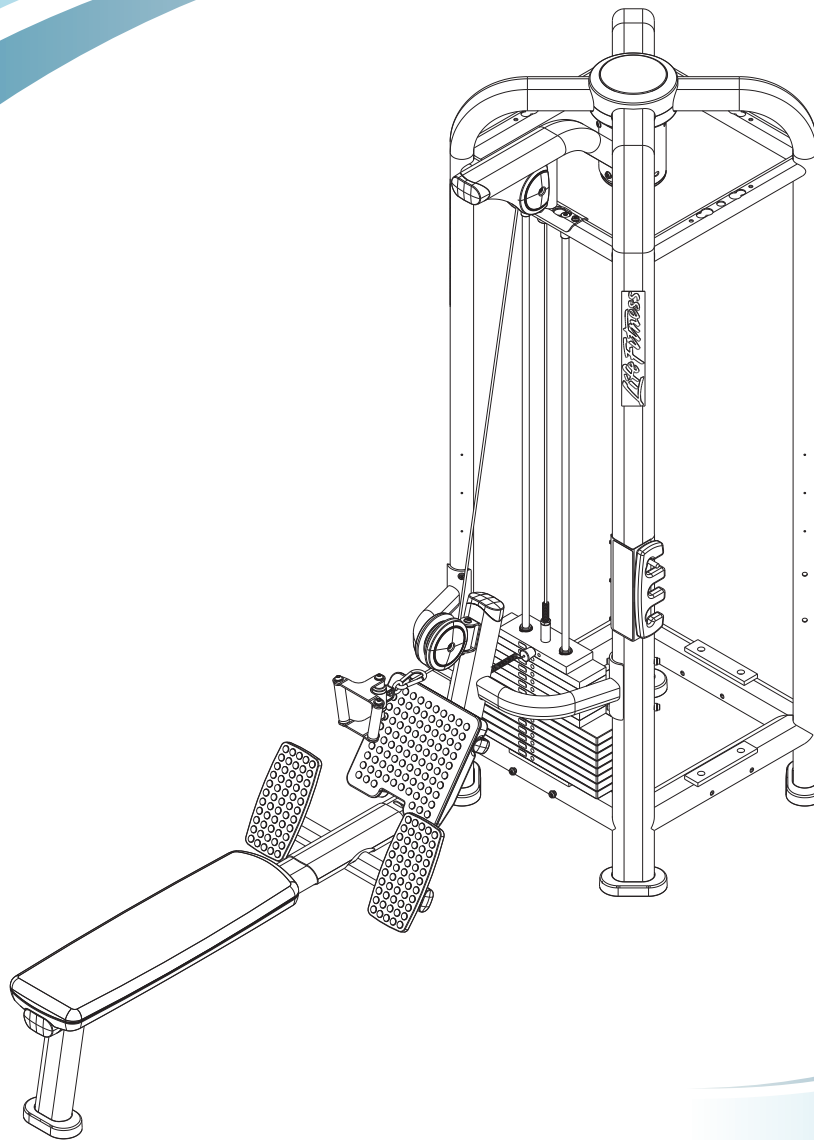


Signature Series Multi-Jungle Row

MJRW

Parts List



LifeFitness
WHAT WE LIVE FOR

MJRW ROW CONTENTS

FRAME AND UPHOLSTERY COLORS..... 3

MJCORE ASSEMBLY..... 4

COMPONENT ASSEMBLY..... 5

COMPONENT ASSEMBLY LEGEND..... 6

MJRW BOOM ASSEMBLY..... 7

MJRW BENCH ASSEMBLY..... 8

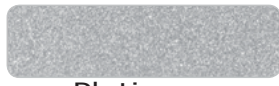
MJRW BENCH ASSEMBLY LEGEND..... 9

SWIVEL PULLEY ASSEMBLY..... 10

WEIGHT STACK ASSEMBLY..... 11

MJRW ROW FRAME AND UPHOLSTERY COLORS

Strength Frame Colors



Platinum



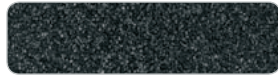
White



Black



Ice Blue Metallic



Midnight Metallic



Nickel



Blue



Red



Yellow



Candy Apple Red

Note: Include frame color in pick-slip notes when ordering frame assemblies or weldments.

Strength Upholstery Colors



American Beauty Red 07



Azure 20



Black 01



Cranberry 04



Graphite 22



Hunter Green 13



Regimental Blue 14



Royal Blue 02



Slate 03



Wheat 21



Burgundy 29



Candy Apple Red 28



Chestnut 34



Concord 16



Crocus 19



Dove Gray 37



Emerald 27



Grotto 25



Gun Metal 39



Imperial Blue 33



Jade 26



Navy 32



Northwoods Green 05



Paprika 35



Plum 30



Putty 38



Space Blue 06



Suede 08



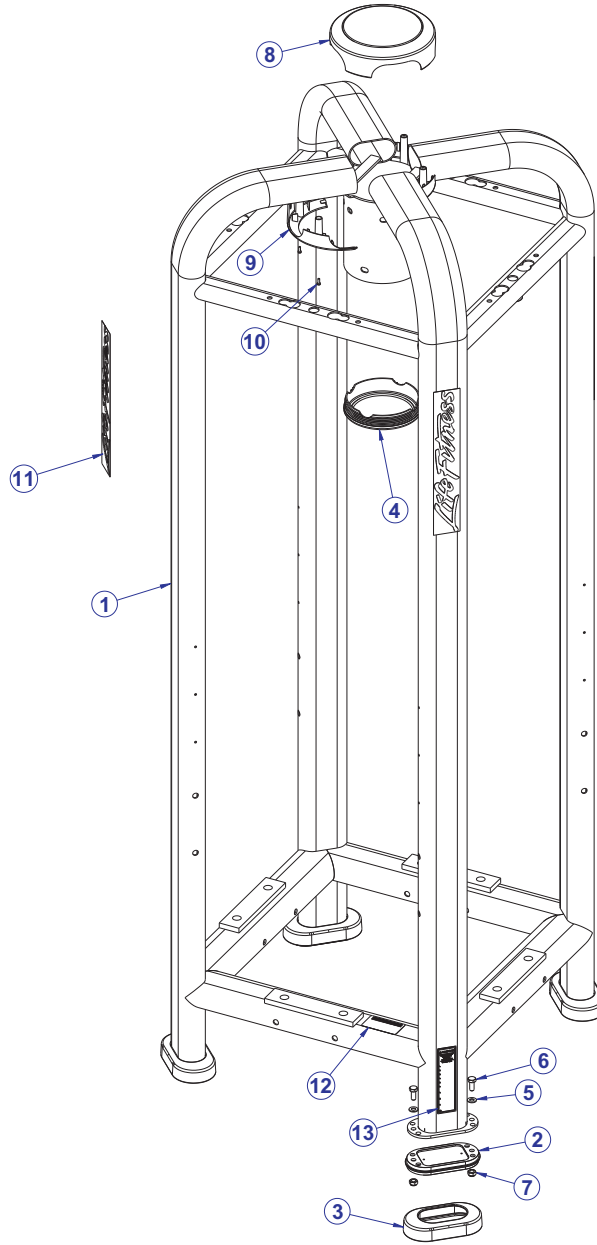
Terra Cotta 36



Turquoise 17

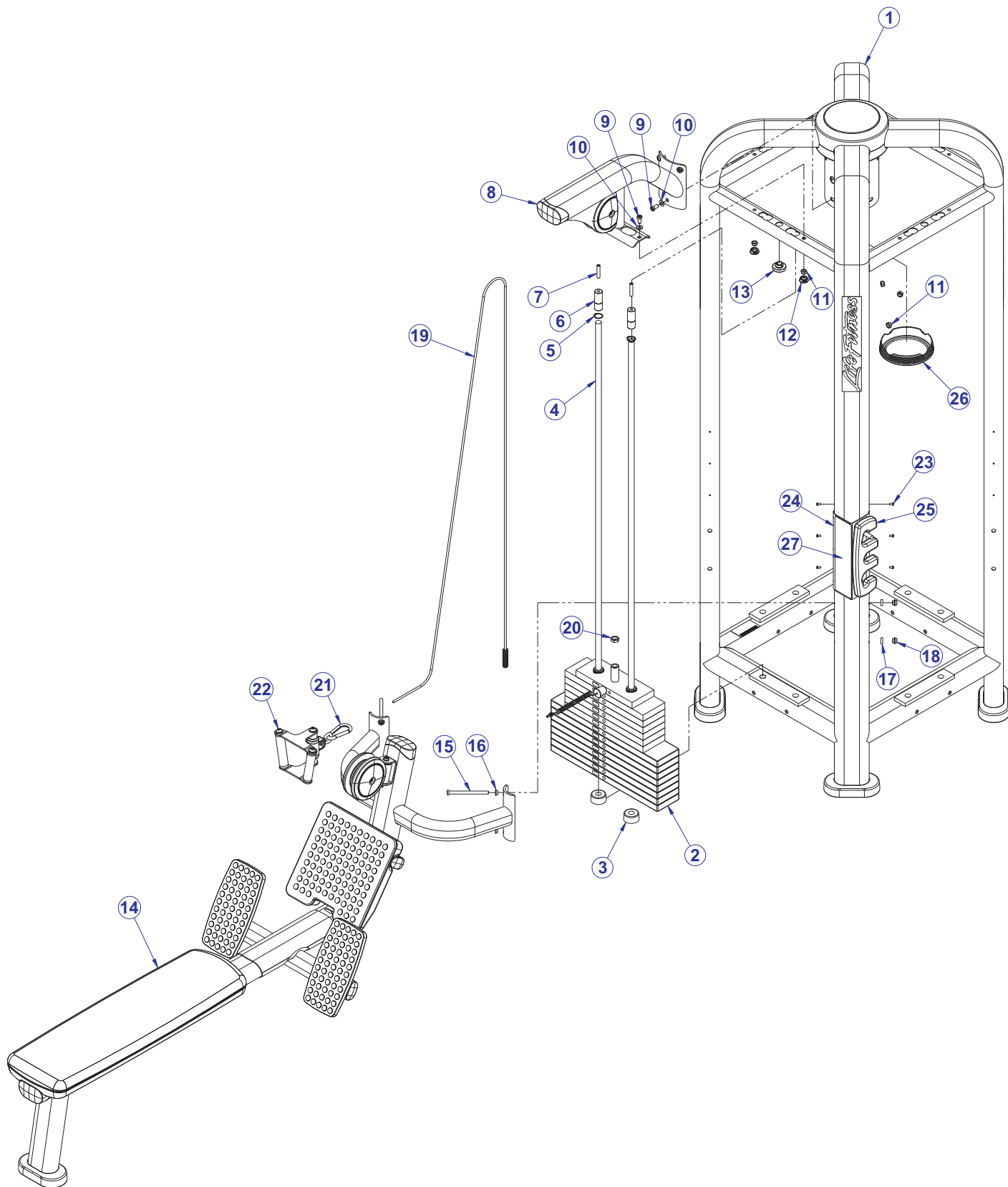
Note: Replace XX with above color suffix when ordering pads (ie. 74123XX = 7412301 Black)
Use 99 suffix for custom upholstery.

MJRW ROW MJCORE ASSEMBLY



ITEM NO.	QTY.	PART NO.	DESCRIPTION	FRAME COLOR
1	1	7628601	WLDMT, MJCORE	ANY
2	4	7334001	FOOT, 2.50 X 4.49 FLOV	-
3	4	7340201	COVER, FOOT - STRAIGHT	-
4	1	7640401	COVER, BOTTOM CAP	-
5	28	3236601	WASHER, 3/8 SAE SS	-
6	8	3251202	SCREW, M10 X1.5 X 25MM UNS HEX CS ST ZN	-
7	28	3236801	NUT, M10 HEX NYLOCK SS	-
8	1	7629201	COVER, CENTER TOP	-
9	2	7629801	COVER, CENTER BOTTOM	-
10	4	3236501	M4 X 0.7 PHL PAN MS ST ZN	-
11	4	7348001	LABEL, LIFE FITNESS LOGO	-
12	1	7571301	LABEL, SERIAL NUMBER, BLANK	-
13	1	8220001	LABEL, ASTM WARNING SELECT-ENGLISH	-
		8220002	LABEL, ASTM WARNING SELECT-GERMAN	-
		8220003	LABEL, ASTM WARNING SELECT-FRENCH	-
		8220004	LABEL, ASTM WARNING SELECT-SPANISH	-
		8220005	LABEL, ASTM WARNING SELECT-ITALIAN	-
		8220006	LABEL, ASTM WARNING SELECT-DUTCH	-
		8220007	LABEL, ASTM WARNING SELECT-JAPANESE	-
		8220008	LABEL, ASTM WARNING SELECT-PORTUGUESE	-
		8220010	LABEL, ASTM WARNING SELECT-RUSSIAN	-
		8220011	LABEL, ASTM WARNING SELECT-TURKISH	-

MJRW ROW COMPONENT ASSEMBLY



SEE PAGE 6 FOR LEGEND

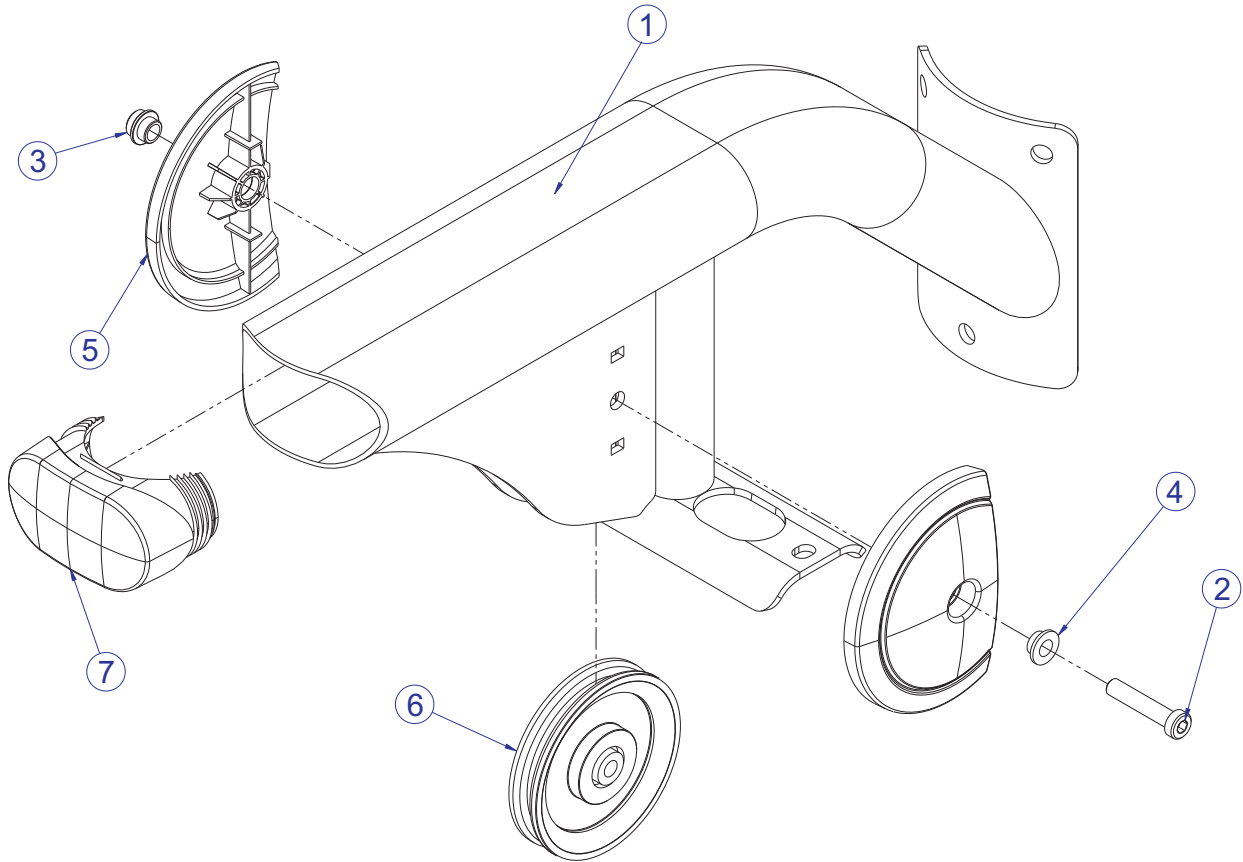
MJRW ROW COMPONENT ASSEMBLY LEGEND

ITEM NO.	QTY.	PART NO.	DESCRIPTION	FRAME COLOR
1	1	MJCORE-ASSY	ASSY, COMPONENTS MJCORE	ANY
2	1	7640201	ASSY, 260LB STACK	-
3	2	7352101	CUSHION, WEIGHT STACK	-
4	2	7328618	GUIDE ROD, .75 OD SOLID 71.63	-
5	2	3232421	RING, BRE .940, 5100-100 ST PP B	-
6	2	7634401	RETAINER, CM/MJ, GUIDEROD	-
7	2	3240502	M10 X 1.5 X 50 HXS NO CUP ST BO	-
8	1	7641001	ASSY, MJRW BOOM	ANY
9	5	3236202	SCREW, M10 X1.5 25MM	-
10	5	3236601	WASHER, 3/8 SAE SS	-
11	5	3236801	NUT, M10 HEX NYLOCK SS	-
12	2	3237403	PLUG, 1" HOLE	-
13	1	7642301	BUMPER, CM/MJ, PLUG	-
14	1	8942601	ASSY, MJRW, BENCH, W/ SWIVEL PULLEY	ANY
15	4	3236220	SCREW, M10 X1.5 130MM	-
16	4	7630101	RETAINER, CM/MJ, PULLEY	-
17	4	7634701	SPACER, CM/MJ, .565 X .815	-
18	4	7335401	NUT, M10 X 1.5 SOCKET HEAD	-
19	1	7423902	CABLE, MJRW (w/o Nylon Ball)	-
	-OR-	<i>CABLES ARE REVERSE COMPATIBLE</i>		-
	1	7645601	CABLE, MJRW (with Nylon Ball)	-
20	1	3236902	NUT, M16 X 2 HEX JAM SS	-
21	1	3250201	SNAP LINK, 3/8" DIA	-
22	1	7732301	HANDLE, MJRW	-
23	6	3239101	SCREW, M5X10 PHL PAN TT ST	-
24	1	7647001	PLACARD BRACKET	ANY
25	1	7711501	WEIGHT, 5 LB. ADD-ON	-
26	1	7640401	COVER, BOTTOM CAP	-
27	1	7734201	LABEL, PLACARD MJRW-ENGLISH	-
		7734202	LABEL, PLACARD MJRW-GERMAN	-
		7734203	LABEL, PLACARD MJRW-FRENCH	-
		7734204	LABEL, PLACARD MJRW-SPANISH	-
		7734205	LABEL, PLACARD MJRW-ITALIAN	-
		7734206	LABEL, PLACARD MJRW-DUTCH	-
		7734207	LABEL, PLACARD MJRW-JAPANESE	-
		7734208	LABEL, PLACARD MJRW-PORTUGUESE	-

Include frame color in pick-slip notes when ordering frame assemblies or weldments.

MJRW ROW

MJRW BOOM ASSEMBLY - 7641001



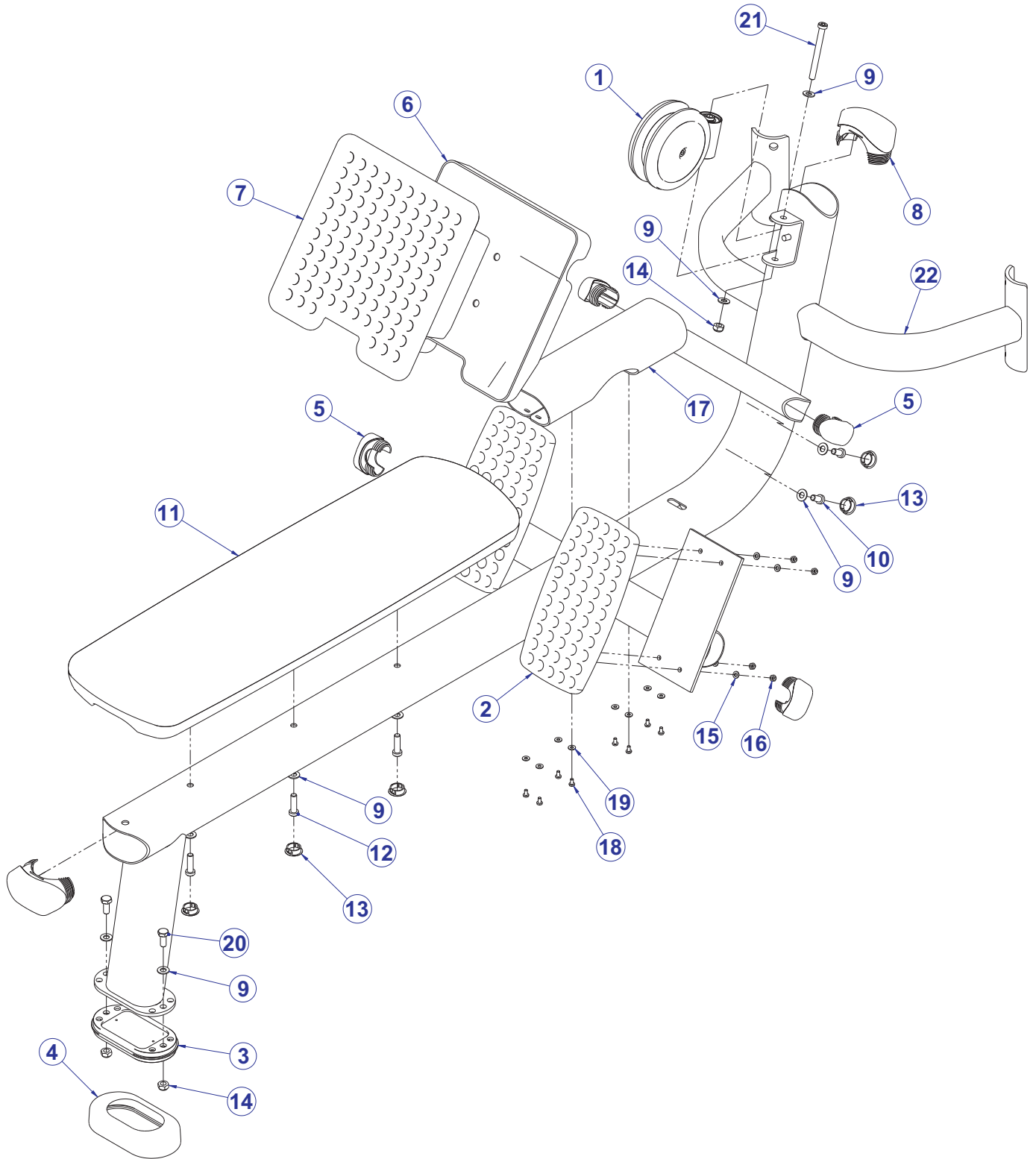
ITEM NO.	QTY.	PART NO.	DESCRIPTION	FRAME COLOR
1	1	7637001	WLDMNT, MJRW BOOM	ANY
2	1	3236207	SCREW, M10 X1.5 50MM	-
3	1	7335401	NUT, M10 X 1.5 SOCKET HEAD	-
4	1	7630101	RETAINER, CM/MJ, PULLEY	-
5	2	7630001	COVER, PULLEY BOLTED PARTIAL	-
6	1	3237801	PULLEY, 4.5" OD	-
7	1	7333901	CAP, LARGE FLOV- END	-

Include frame color in pick-slip notes when ordering frame assemblies or weldments.

MJRW ROW MJRW BENCH ASSEMBLY

NOTE: SWIVEL BENCH BEGAN PRODUCTION APRIL 11, 2011

REFER TO BULLETIN: MJ11041501 MJ Swivel Pulleys (MJRW, MJTP, MJLP) Service_Bulletin.pdf



SEE PAGE 9 FOR LEGEND

MJRW ROW

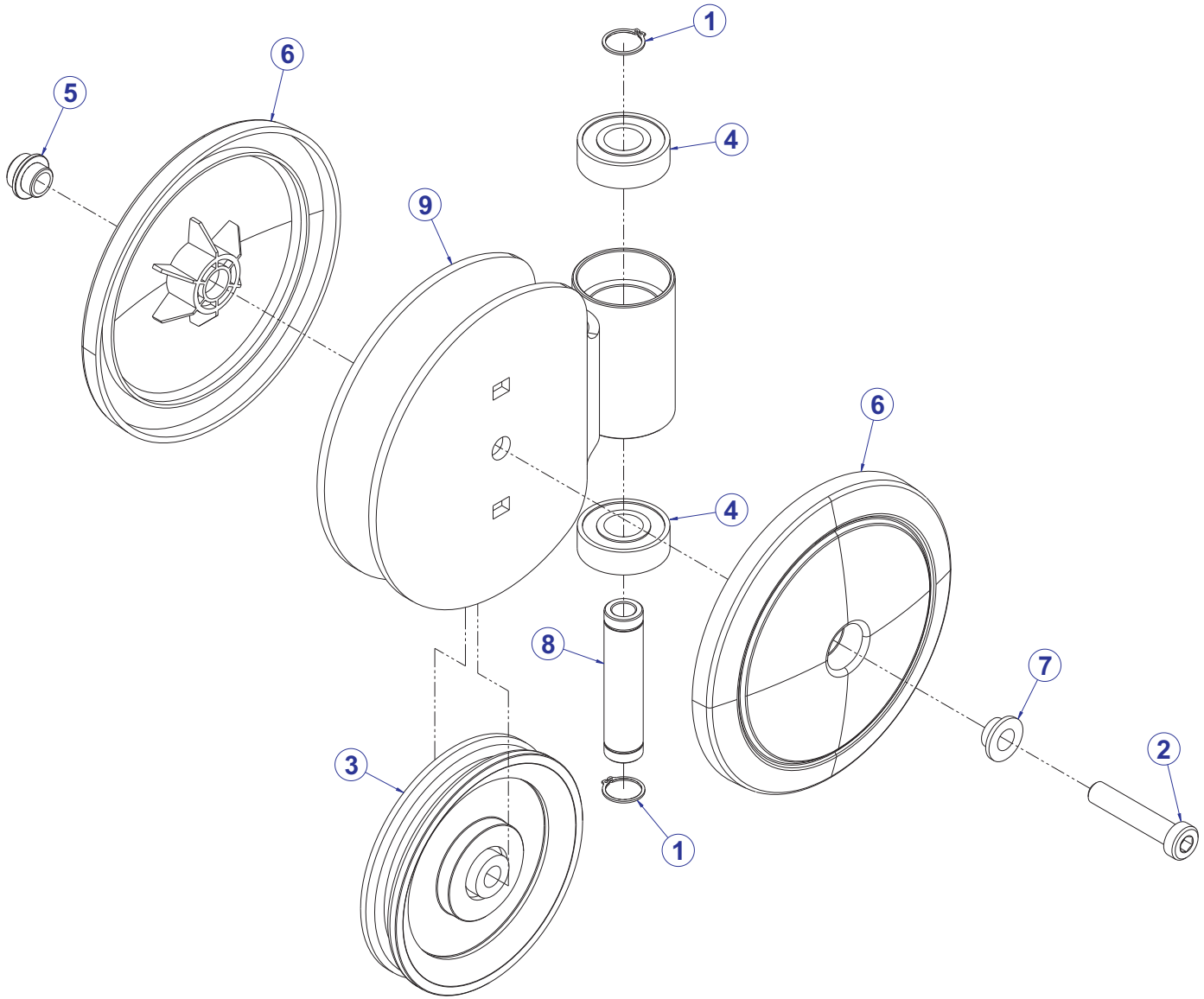
MJRW BENCH ASSEMBLY LEGEND

ITEM NO.	QTY.	PART NO.	DESCRIPTION	FRAME COLOR
1	1	8942701	ASSY, MJRW, SWIVEL PULLEY	ANY
2	2	7640301	FOOT PAD, CM/MJ, OVERMOLD	-
3	1	7334001	FOOT, 2.50 X 4.49 FLOV	-
4	1	7419701	COVER, FOOT 10 DEG	-
5	4	7333801	CAP, SMALL FLOV- END	-
6	1	7438201	COVER,FZSLP-STEP	-
7	1	7438301	STEP PLATE,FZSLP- OVERMOLDED	-
8	2	7333901	CAP, LARGE FLOV- END	-
9	9	3236601	WASHER, 3/8 SAE SS	-
10	2	3236201	SCREW, M10 X1.5 20MM	-
11	1	76271XX	PAD 36.0 X 11 CONVEX	-
12	3	3236204	SCREW, M10 X1.5 35MM	-
13	5	3237403	PLUG, 1" HOLE	-
14	3	3236801	NUT, M10 HEX NYLOCK SS	-
15	8	3241801	WASHER, FLAT 6MM SS	-
16	8	3236802	NUT, M6 HEX NYLOCK SS	-
17	1	7713601	COVER, PROTECTIVE	-
18	8	3239101	SCREW, M5X10 PHL PAN TT ST	-
19	8	3248101	WSH 10 FL-D ST ZN	-
20	2	3251202	SCREW, M10 X1.5 X 25MM UNS HEX CS ST ZN	-
21	1	3236217	SCREW, M10 X1.5 100MM	-
22	1	8927301	WLDMT, MJRW, BENCH, SWIVEL PULLEY	ANY

Include frame color in pick-slip notes when ordering frame assemblies or weldments.

ITEMS ENDING IN XX ARE COLOR SPECIFIC. SEE PAGE 3 FOR COLOR CHART

MJRW ROW SWIVEL PULLEY ASSEMBLY



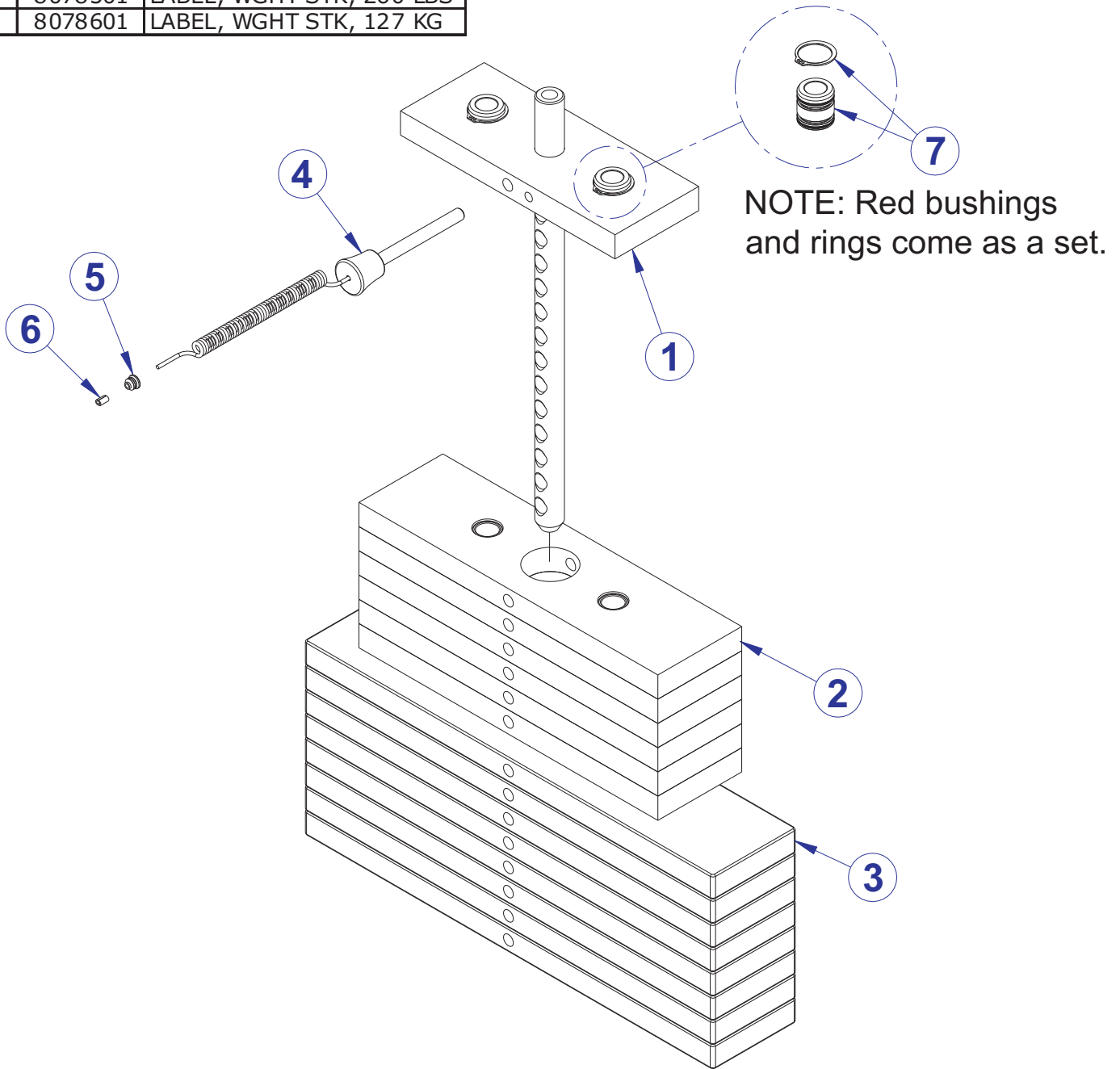
ITEM NO.	QTY.	PART NO.	DESCRIPTION	FRAME COLOR
1	2	3232413	RING, BRE .631, 5100-66, ST PP B	-
2	1	3236207	SCREW, M10 X1.5 50MM	-
3	1	3237801	PULLEY, 4.5" OD	-
4	2	3245901	BEARING, 6203	-
5	1	7335401	NUT, M10 X 1.5 SOCKET HEAD	-
6	2	7629901	COVER, PULLEY- BOLTED FULL	-
7	1	7630101	RETAINER, CM/MJ, PULLEY	-
8	1	7645401	SHAFT, CM/MJ, 6203 BRNG	-
9	1	8931501	WLDMT, MJRW, SWIVEL PULLEY	ANY

Include frame color in pick-slip notes when ordering frame assemblies or weldments.

MJRW ROW 260LB. WEIGHT STACK ASSEMBLY

WEIGHT STACK LABELS

QTY.	PART NO.	DESCRIPTION
1	8078501	LABEL, WGHT STK, 260 LBS
1	8078601	LABEL, WGHT STK, 127 KG



ITEM NO.	QTY.	PART NO.	DESCRIPTION
1	1	8920101	14 HOLE HEAD PLATE/BAYONET SER. KIT ASSY
2	6	7353801	ASSY, 15 LB PLATE
3	8	7328401	WEIGHT PLATE, 20 LB
4	1	7353001	ASSY, SELECTOR PIN
		8981903	ASSY, WT STACK SELECTOR PIN, SRT - YELLOW
5	1	7356501	PLUG, LANYARD ATTACHMENT
6	1	7523601	CRIMP, CABLE
7	2	7338001	BUSHING, HEADPLATE