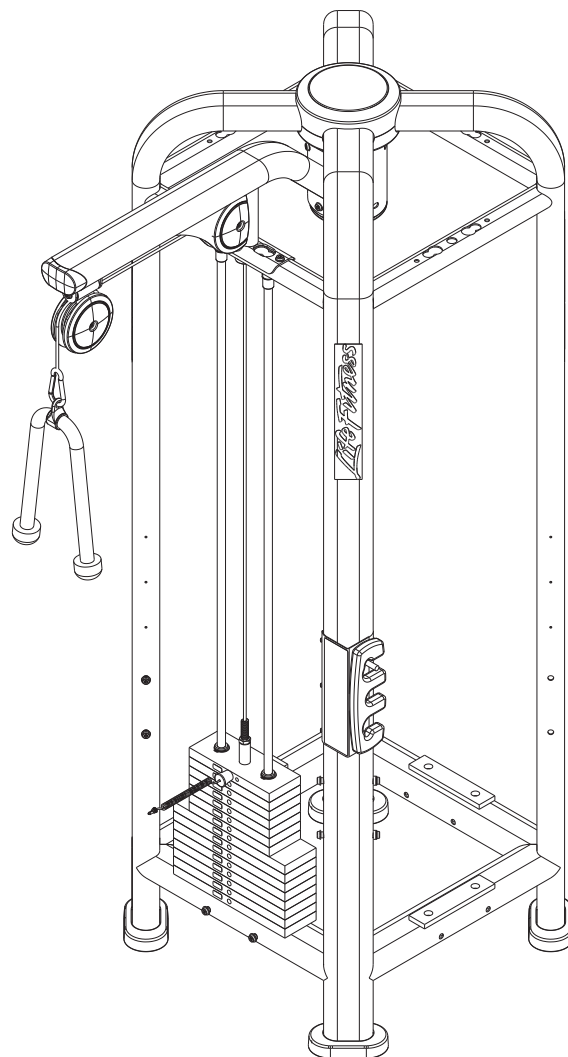


Signature Series Multi-Jungle Triceps Pushdown MJTP

Parts List



Life Fitness
WHAT WE LIVE FOR

MJTP TRICEPS PUSHDOWN CONTENTS

FRAME AND UPHOLSTERY COLORS.....	3
MJCORE ASSEMBLY.....	4
COMPONENT ASSEMBLY.....	5
COMPONENT ASSEMBLY LEGEND.....	6
MJTP BOOM ASSEMBLY.....	7
SWIVEL PULLEY ASSEMBLY.....	8
WEIGHT STACK ASSEMBLY.....	9

MJTP TRICEPS PUSHDOWN FRAME AND UPHOLSTERY COLORS

Strength Frame Colors



Platinum



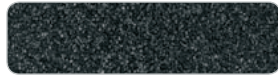
White



Black



Ice Blue Metallic



Midnight Metallic



Nickel



Blue



Red



Yellow



Candy Apple Red

Note: Include frame color in pick-slip notes when ordering frame assemblies or weldments.

Strength Upholstery Colors



American Beauty Red 07



Azure 20



Black 01



Cranberry 04



Graphite 22



Hunter Green 13



Regimental Blue 14



Royal Blue 02



Slate 03



Wheat 21



Burgundy 29



Candy Apple Red 28



Chestnut 34



Concord 16



Crocus 19



Dove Gray 37



Emerald 27



Grotto 25



Gun Metal 39



Imperial Blue 33



Jade 26



Navy 32



Northwoods Green 05



Paprika 35



Plum 30



Putty 38



Space Blue 06



Suede 08



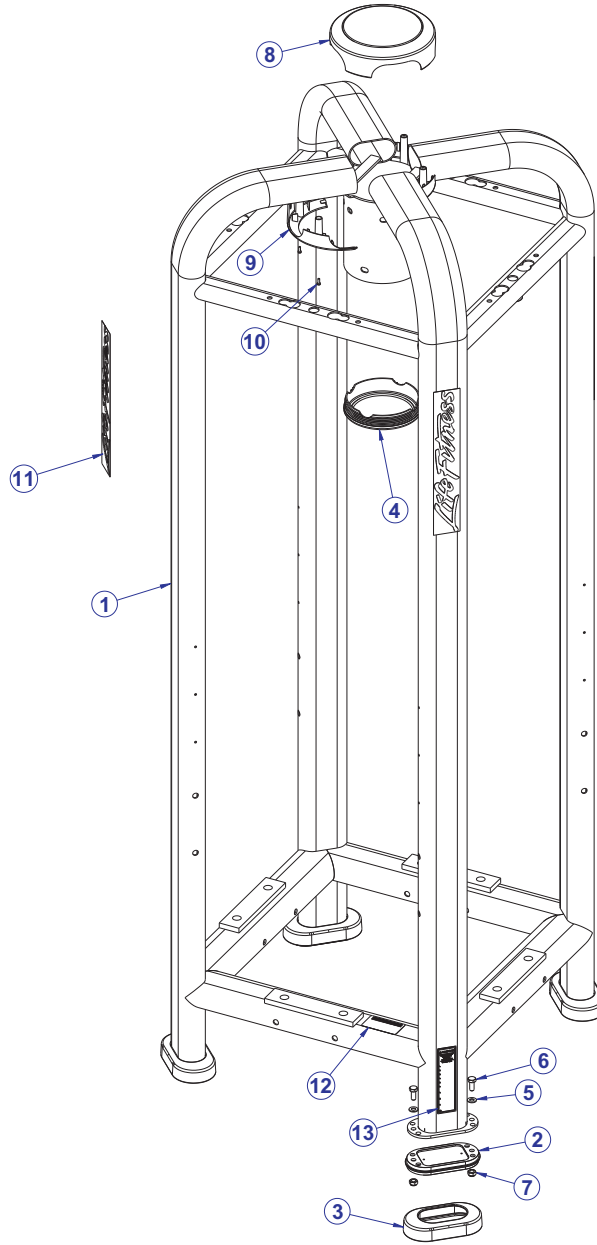
Terra Cotta 36



Turquoise 17

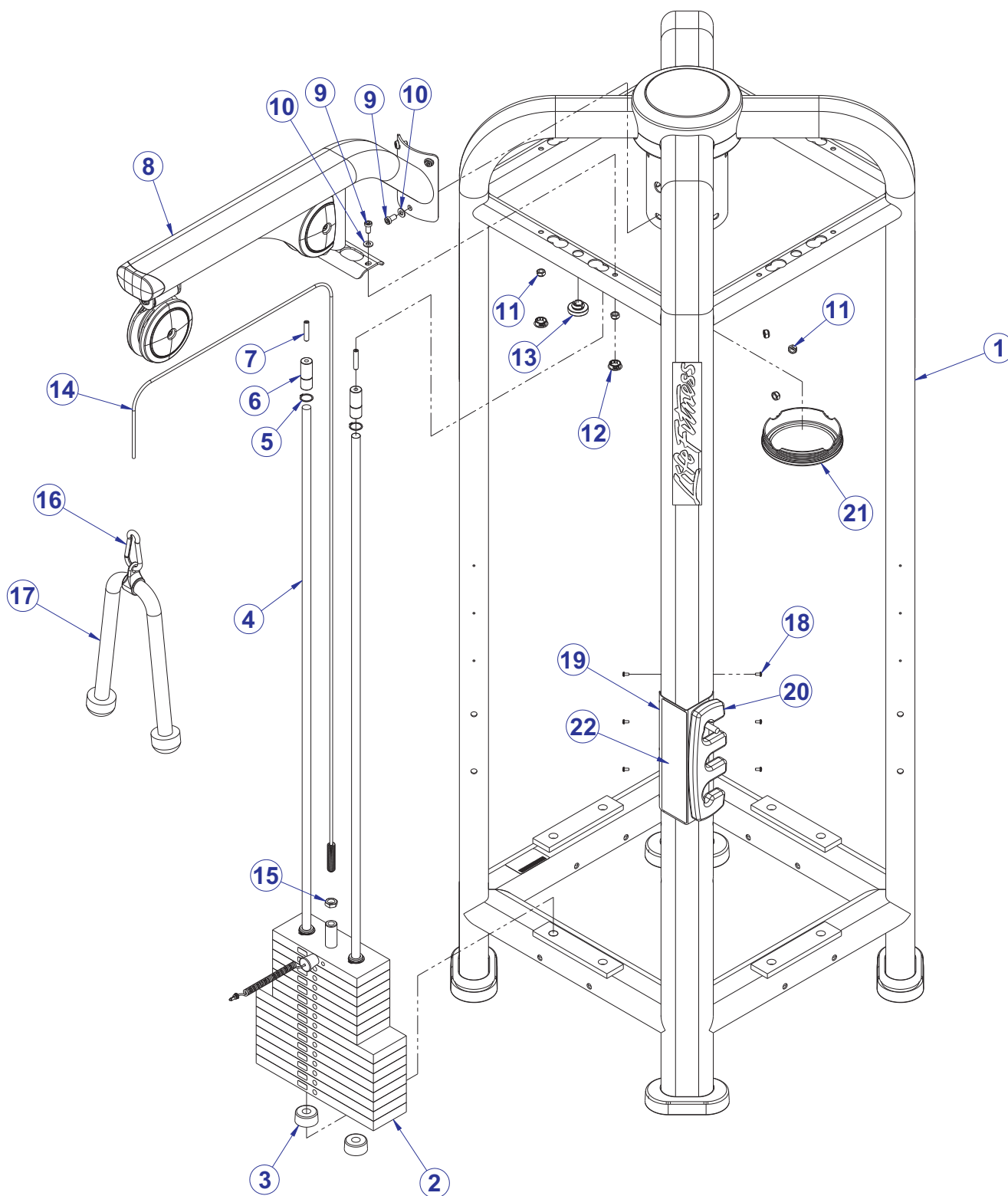
Note: Replace XX with above color suffix when ordering pads (ie. 74123XX = 7412301 Black)
Use 99 suffix for custom upholstery.

MJTP TRICEPS PUSHDOWN MJCORE ASSEMBLY



ITEM NO.	QTY.	PART NO.	DESCRIPTION	FRAME COLOR
1	1	7628601	WLDMT, MJCORE	ANY
2	4	7334001	FOOT, 2.50 X 4.49 FLOV	-
3	4	7340201	COVER, FOOT - STRAIGHT	-
4	1	7640401	COVER, BOTTOM CAP	-
5	28	3236601	WASHER, 3/8 SAE SS	-
6	8	3251202	SCREW, M10 X1.5 X 25MM UNS HEX CS ST ZN	-
7	28	3236801	NUT, M10 HEX NYLOCK SS	-
8	1	7629201	COVER, CENTER TOP	-
9	2	7629801	COVER, CENTER BOTTOM	-
10	4	3236501	M4 X 0.7 PHL PAN MS ST ZN	-
11	4	7348001	LABEL, LIFE FITNESS LOGO	-
12	1	7571301	LABEL, SERIAL NUMBER, BLANK	-
13	1	8220001	LABEL, ASTM WARNING SELECT-ENGLISH	-
		8220002	LABEL, ASTM WARNING SELECT-GERMAN	-
		8220003	LABEL, ASTM WARNING SELECT-FRENCH	-
		8220004	LABEL, ASTM WARNING SELECT-SPANISH	-
		8220005	LABEL, ASTM WARNING SELECT-ITALIAN	-
		8220006	LABEL, ASTM WARNING SELECT-DUTCH	-
		8220007	LABEL, ASTM WARNING SELECT-JAPANESE	-
		8220008	LABEL, ASTM WARNING SELECT-PORTUGUESE	-
		8220010	LABEL, ASTM WARNING SELECT-RUSSIAN	-
		8220011	LABEL, ASTM WARNING SELECT-TURKISH	-

MJTP TRICEPS PUSHDOWN COMPONENT ASSEMBLY



SEE PAGE 6 FOR LEGEND

MJTP TRICEPS PUSHDOWN COMPONENT ASSEMBLY LEGEND

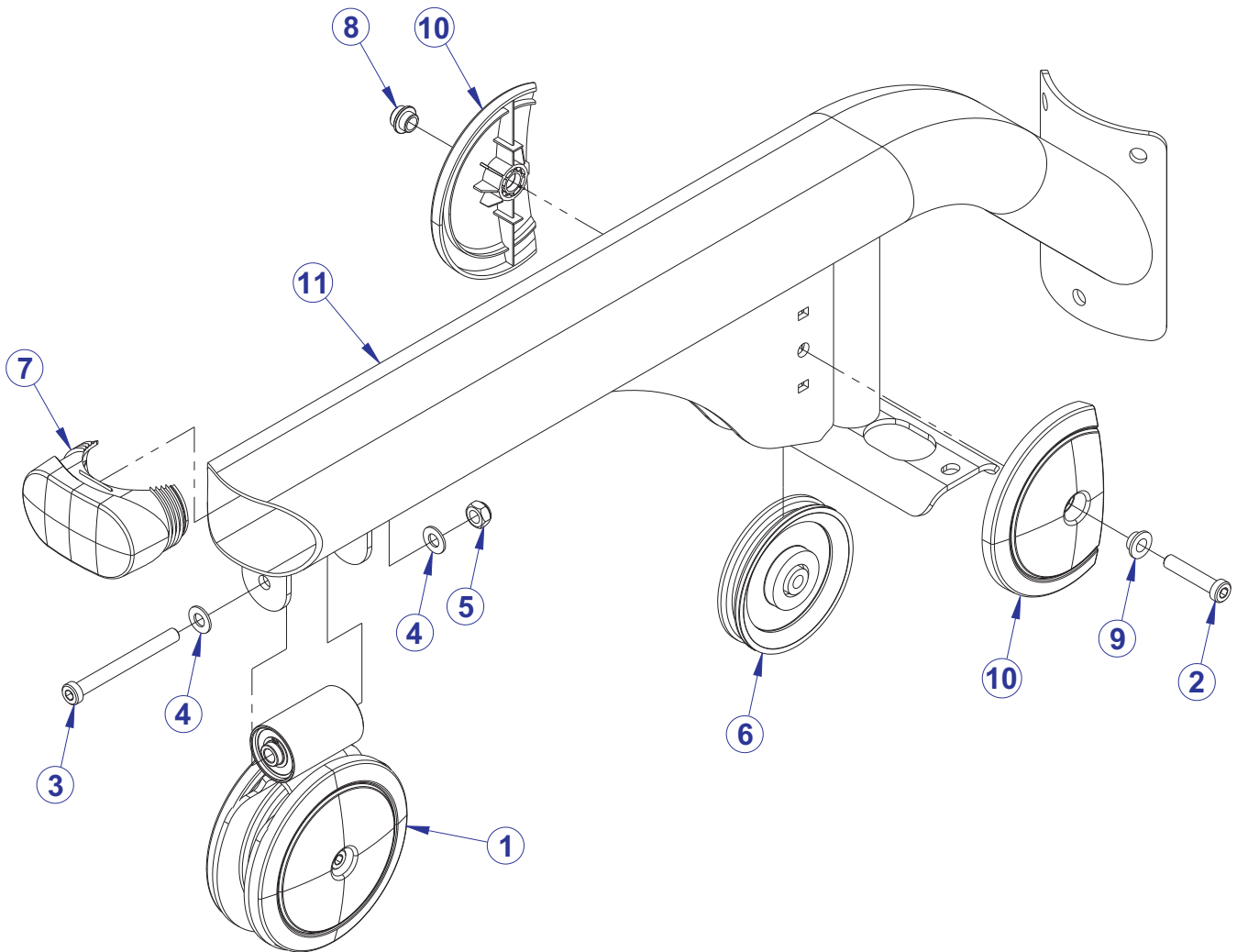
ITEM NO.	QTY.	PART NO.	DESCRIPTION	FRAME COLOR
1	1	MJCORE-ASSY	ASSY, COMPONENTS MJCORE	ANY
2	1	7647501	ASSY, 190LB STACK	-
3	2	7352101	CUSHION, WEIGHT STACK	-
4	2	7328618	GUIDE ROD, .75 OD SOLID 71.63	-
5	2	3232421	RING, BRE .940, 5100-100 ST PP B	-
6	2	7634401	RETAINER, CM/MJ, GUIDEROD	-
7	2	3240502	M10 X 1.5 X 50 HXS NO CUP ST BO	-
8	1	8935801	ASSY, MJTP, BOOM, SWIVEL	ANY
9	5	3236202	SCREW, M10 X1.5 25MM	-
10	5	3236601	WASHER, 3/8 SAE SS	-
11	5	3236801	NUT, M10 HEX NYLOCK SS	-
12	2	3237403	PLUG, 1" HOLE	-
13	1	7642301	BUMPER, CM/MJ, PLUG	-
14	1	7423904	CABLE, MJTP (w/o Nylon Ball)	-
	-OR-	<i>CABLES ARE REVERSE COMPATIBLE</i>		-
	1	7645603	CABLE, MJTP (with Nylon Ball)	-
15	1	3236902	NUT, M16 X 2 HEX JAM SS	-
16	1	3250201	SNAP LINK, 3/8" DIA	-
17	1	6851501	ROPE, TRICEP	-
18	6	3239101	SCREW, M5X10 PHL PAN TT ST	-
19	1	7647001	PLACARD BRACKET	ANY
20	1	7711501	WEIGHT, 5 LB. ADD-ON	-
21	1	7640401	COVER, BOTTOM CAP	-
22	1	7734401	LABEL, PLACARD MJTP-ENGLISH	-
		7734402	LABEL, PLACARD MJTP-GERMAN	-
		7734403	LABEL, PLACARD MJTP-FRENCH	-
		7734404	LABEL, PLACARD MJTP-SPANISH	-
		7734405	LABEL, PLACARD MJTP-ITALIAN	-
		7734406	LABEL, PLACARD MJTP-DUTCH	-
		7734407	LABEL, PLACARD MJTP-JAPANESE	-
		7734408	LABEL, PLACARD MJTP-PORTUGUESE	-

Include frame color in pick-slip notes when ordering frame assemblies or weldments.

MJTP TRICEPS PUSHDOWN MJTP SWIVEL BOOM ASSEMBLY - 8935801

NOTE: SWIVEL PULLEY BEGAN PRODUCTION APRIL 11, 2011

REFER TO BULLETIN: MJ11041501 MJ Swivel Pulleys (MJRW, MJTP, MJLP) Service_Bulletin.pdf

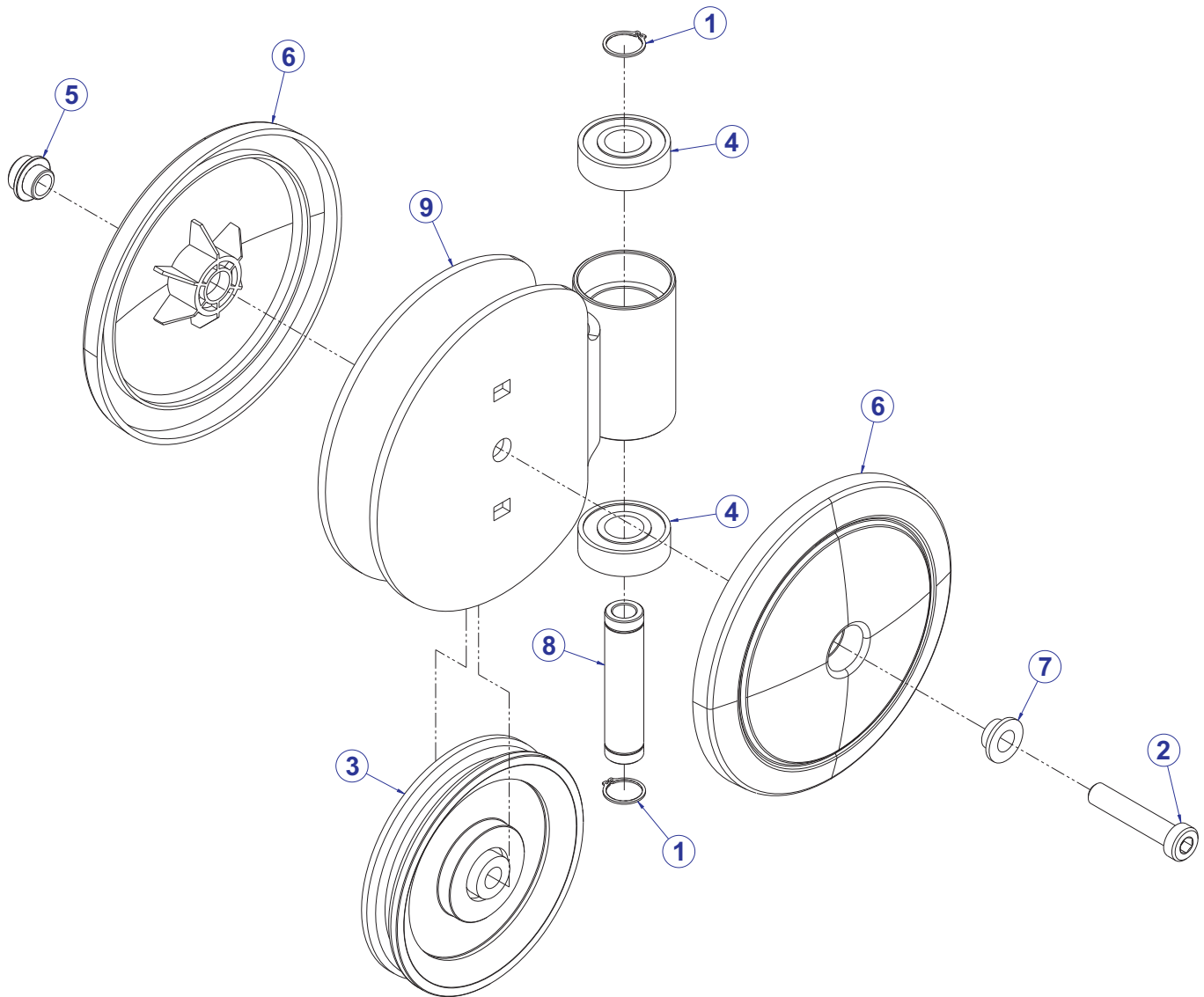


ITEM NO.	QTY.	PART NO.	DESCRIPTION	FRAME COLOR
1	1	8935901	ASSY, CM/MJ, SWIVEL PULLEY W/O BALL STOP OR SLOT	ANY
2	1	3236207	SCREW, M10 X1.5 50MM	-
3	1	3236217	SCREW, M10 X1.5 100MM	-
4	2	3236601	WASHER, 3/8 SAE SS	-
5	1	3236801	NUT, M10 HEX NYLOCK SS	-
6	1	3237801	PULLEY, 4.5" OD	-
7	1	7333901	CAP, LARGE FLOV- END	-
8	1	7335401	NUT, M10 X 1.5 SOCKET HEAD	-
9	1	7630101	RETAINER, CM/MJ, PULLEY	-
10	2	7630001	COVER, PULLEY BOLTED PARTIAL	-
11	1	8927401	WLDMT, MJTP, BOOM, SWIVEL	ANY

Include frame color in pick-slip notes when ordering frame assemblies or weldments.

MJTP TRICEPS PUSHDOWN MJTP SWIVEL PULLEY ASSEMBLY - 8935901

NOTE: SWIVEL PULLEY BEGAN PRODUCTION APRIL 11, 2012



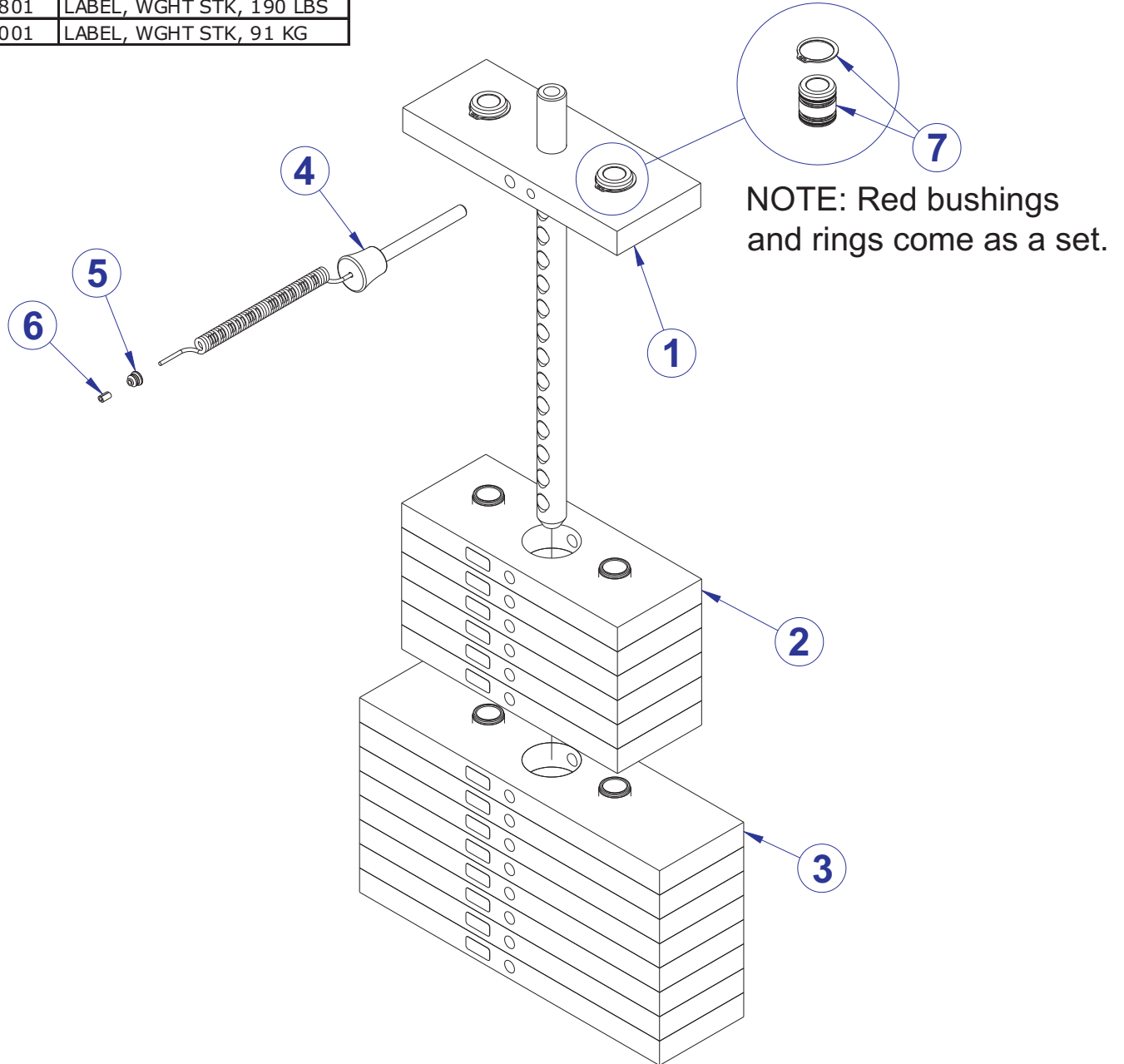
ITEM NO.	QTY.	PART NO.	DESCRIPTION	FRAME COLOR
1	2	3232413	RING, BRE .631, 5100-66, ST PP B	-
2	1	3236207	SCREW, M10 X1.5 50MM	-
3	1	3237801	PULLEY, 4.5" OD	-
4	2	3245901	BEARING, 6203	-
5	1	7335401	NUT, M10 X 1.5 SOCKET HEAD	-
6	2	7629901	COVER, PULLEY- BOLTED FULL	-
7	1	7630101	RETAINER, CM/MJ, PULLEY	-
8	1	7645401	SHAFT, CM/MJ, 6203 BRNG	-
9	1	8935601	WLDMT, MJ, SWIVEL PULLEY W/O BALL STOP & SLOT	ANY

Include frame color in pick-slip notes when ordering frame assemblies or weldments.

MJTP TRICEPS PUSHDOWN 190LB. WEIGHT STACK ASSEMBLY - 7647501

WEIGHT PLATE LABELS

PART NO.	DESCRIPTION
8068801	LABEL, WGHT STK, 190 LBS
8069001	LABEL, WGHT STK, 91 KG



ITEM NO.	QTY.	PART NO.	DESCRIPTION
1	1	8920101	14 HOLE HEAD PLATE/BAYONET SER. KIT ASSY
2	6	7353701	ASSY, 10 LB PLATE
3	8	7353801	ASSY, 15 LB PLATE
4	1	7353001	ASSY, SELECTOR PIN
		8981903	ASSY, WT STACK SELECTOR PIN, SRT - YELLOW
5	1	7356501	PLUG, LANYARD ATTACHMENT
6	1	7523601	CRIMP, CABLE
7	2	7338001	BUSHING, HEADPLATE