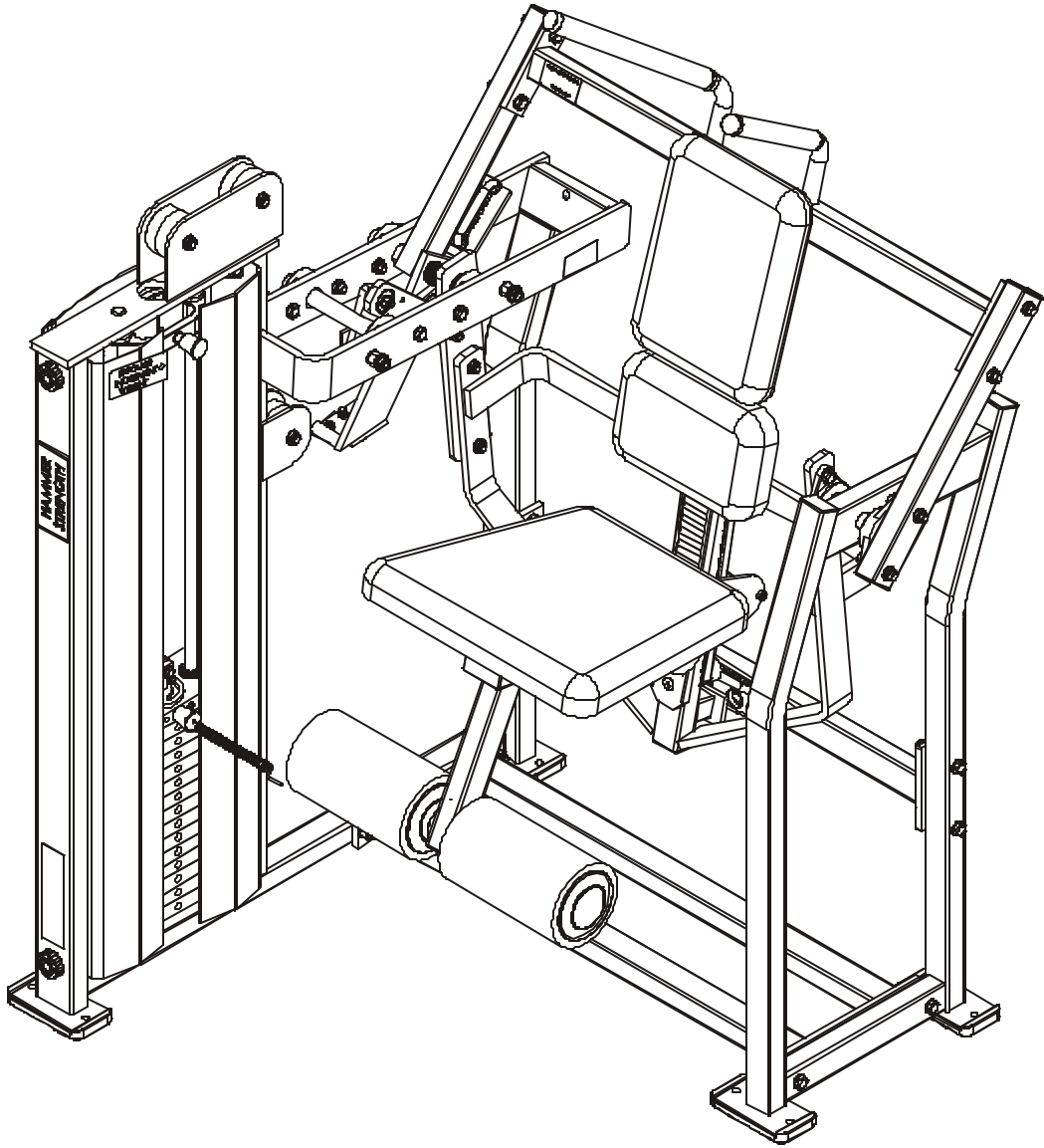


LifeFitness

RAMSEY MTSAB - MOTION TECHNOLOGY SELECTORIZED ABDOMINAL PRESS



Customer Support Services ***PARTS MANUAL***

RAMSEY MTSAB ABDOMINAL PRESS

Notes:

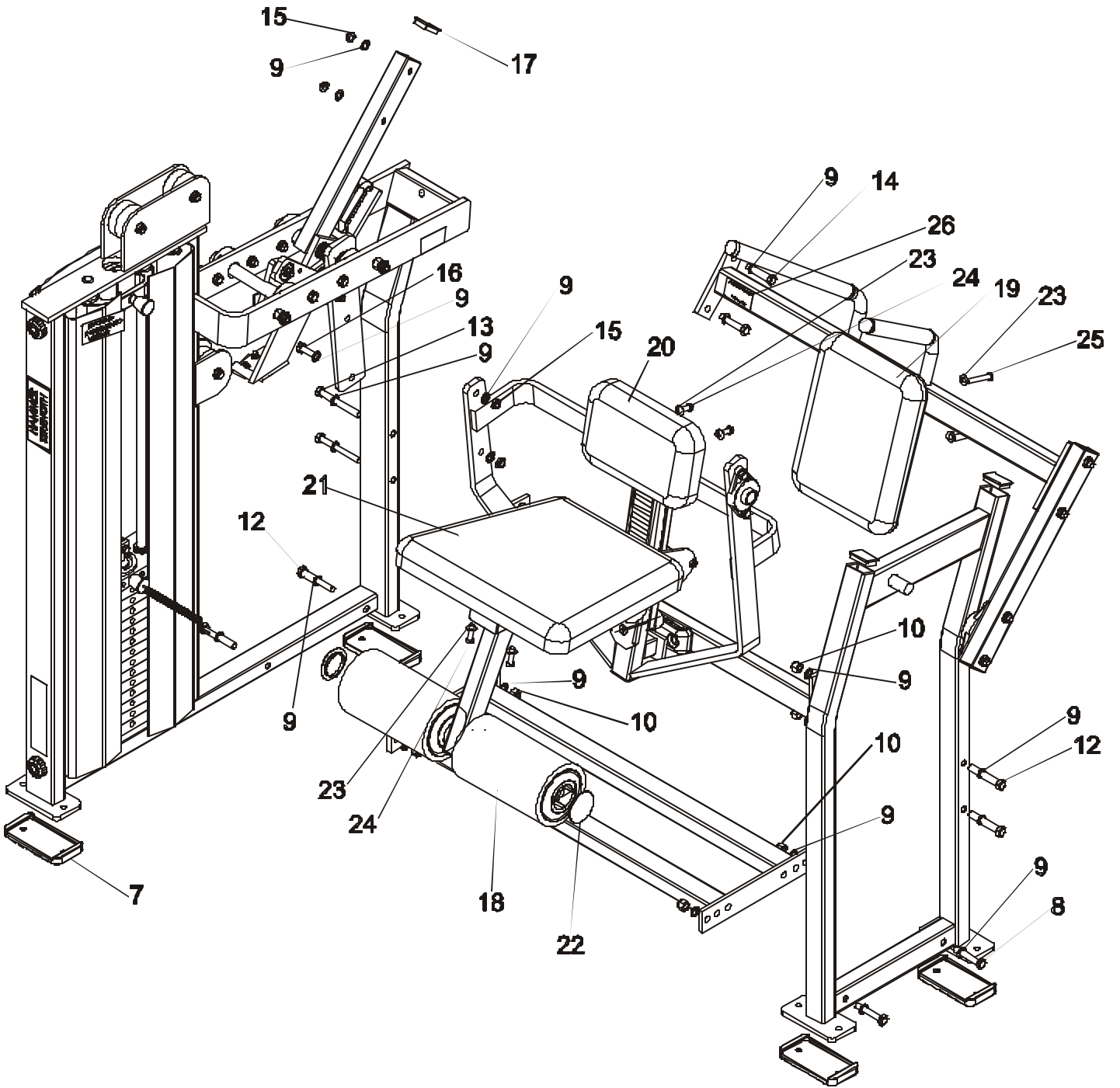
RAMSEY MTSAB ABDOMINAL PRESS

Contents

	PAGE
COMPONENT ASSEMBLY	4
COMPONENT ASSEMBLY CALLOUTS	5
RIGHT SIDE FRAME ASSEMBLY (1 OF 2).....	6
RIGHT SIDE FRAME ASSEMBLY CALLOUTS (1 OF 2).....	7
RIGHT SIDE FRAME ASSEMBLY (2 OF 2).....	8
RIGHT SIDE FRAME ASSEMBLY CALLOUTS (2 OF 2).....	9
CROSS FRAME ASSEMBLY.....	10
TOP MOVEMENT ARM WELDMENT	11
LOWER ARM ASSEMBLY.....	12
WEIGHT STACK ASSEMBLY.....	13
SEAT FRAME ASSEMBLY.....	14

RAMSEY MTSAB ABDOMINAL PRESS

COMPONENT ASSEMBLY

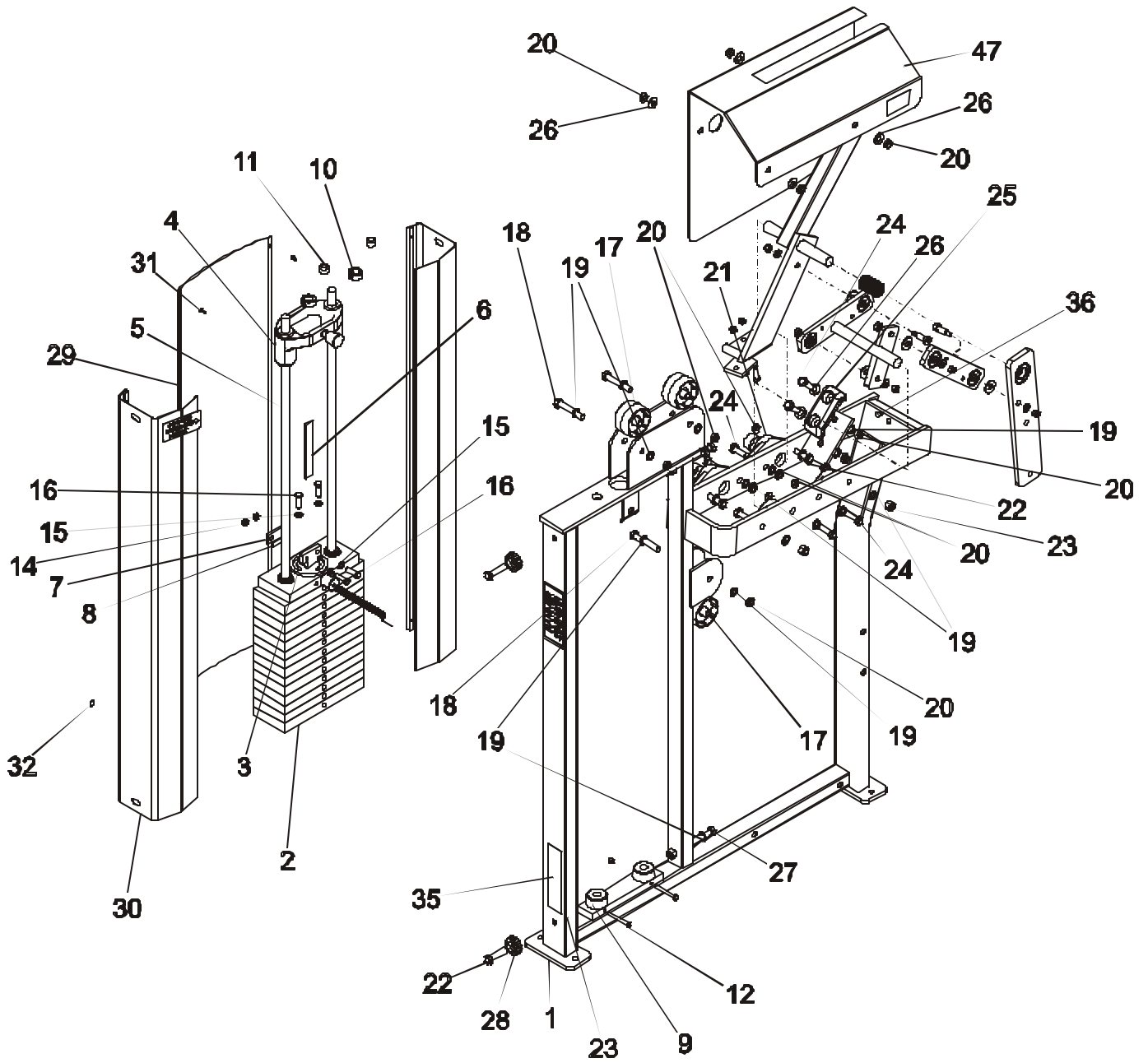


RAMSEY MTSAB ABDOMINAL PRESS
COMPONENT CALLOUTS

ITEM NO.	QTY.	PART NO.	DESCRIPTION
1	1	7505301	ASSY, MTAB, RIGHT SIDE
2	1	7498901	ASSY, MTAB, LOWER ARM
3	1	7499001	ASSY, MTAB, SEAT
4	1	7505401	ASSY, MTAB, UPPER ARM
5	1	7566601	ASSY, MTAB, REAR SUPPORT
6	1	7478501	WLDMT, MTAB, L FRAME SIDE
7	4	7388201	Footpad, PS Rubber
8	2	3239311	1/2-13 X 2.75 UNS HEX FHB G5 ZN
9	24	3239505	WSH, .500 IN-D ST ZN
10	8	3102801	NUT, NYLOCK
11	1	7480101	WLDMT, MTAB, BOTTOM FRAME
12	4	3239313	1/2-13 X 3.25 UNS HEX FHB G5 ZN
13	2	3239317	1/2-13 X 4.25 UNS HEX FHB G5 ZN
14	2	3239310	1/2-13 X2.50 UNS HEX FHB G5 ZN
15	4	3102804	NUT, NYLOCK
16	2	3239306	1/2-13 X 1.50 UNS HEX FHB G5 ZN
17	3	7477301	CAP, END, 1-1/2 X 2, 11GA SGRY
18	2	7424701	ASSY, ROLLER PAD - SHORT
19	1	7499301	PAD, 13-3/4 X 10 -3/4
20	1	7399300	PAD. 7 X 11-1/4
21	1	7399101	PAD, 17 X 18 1/2
22	2	7308701	CAP, BEARING HOUSING
23	8	3236601	WASHER, 3/8 SAE SS
24	6	3236204	SCREW, M10 X1.5 35MM
25	2	3236210	SCREW, M10 X1.5 65MM
26	1	M051-00299-A000	HAMMER PATENT DECAL

RAMSEY MTSAB ABDOMINAL PRESS

RIGHT SIDE FRAME ASSEMBLY (1 of 2)



RAMSEY MTSAB ABDOMINAL PRESS

RIGHT SIDE FRAME ASSEMBLY CALLOUTS (1 of 2)

ITEM NO	QTY.	PART NO.	DESCRIPTION
1	1	7479001	WLDMT, MTAB, R SIDE FRAME
2	1	7464701	ASSY, MTS, 150 LB STACK
3	1	7434895	WLDMT, MTS, BELT ATTACH
4	1	7459901	ASSY, MTS, INCREMENT WEIGHT
5	2	7328611	GUIDE ROD, .75 OD SOLID 45.38
6	1	7435701	BELT, SPOOLED, W15/16, T.09
7	1	7435295	PLATE, MTS, BELT CLAMP
8	1	7435101	SHAFT, 3/8" DIA SS, BELT WRAP
9	2	7352101	CUSHION, WEIGHT STACK
10	2	3103301	SHAFT COLLAR, 3/4 I.D. ZINC
11	2	3242701	CAP, END, .75 X .50. RD, BLACK
12	2	3223809	1/4-20 UNS HEX FHB G5 ZN
14	4	3102807	NUT, NYLOCK 3/8-16 LOW HT
15	4	3239503	WSH, .375 IN-D ST ZN
16	6	3223302	3/8-16 X 16 HEX HEAD BOLT
17	3	7594601	PULLEY, MTS, 3" BELT
18	3	3239312	1/2-13 X 3.00 UNS HEX FHB G5 ZN
19	18	3239505	WSH, .500 IN-D ST ZN
20	15	3102804	NUT, NYLOCK
21	4	3239901	BEARING, 2 HOLE FLANGE, 1" ID
22	6	3239308	1/2-13 X 2.00 UNS HEX FHB G5 ZN
23	6	3102801	NUT, NYLOCK
24	6	3239306	1/2-13 X 1.50 UNS HEX FHB G5 ZN
25	1	7352001	BUMPER, 2-1/8 X 4-5/8
26	8	3102507	WASHER, TYPE A PLAIN
27	2	3239310	1/2-13 X2.50 UNS HEX FHB G5 ZN
28	2	7434001	WASHER, MTS, HAMMER HEAD
29	1	7435605	PANEL, MTS, PLASTIC 44.63"
30	2	7465104	SHROUD, MTS, SIDE 44.63" SGRY
31	2	0017-00101-1587	SHIELD RIVET
32	2	7564101	LABEL, MTS, .625 DIA HOLE COVER
35	1	7422004	LABEL, 2" ASTM WARN
36	2	3237401	PLUG, 7/16" HOLE
47	1	7504801	SHROUD, MTAB, UPPER

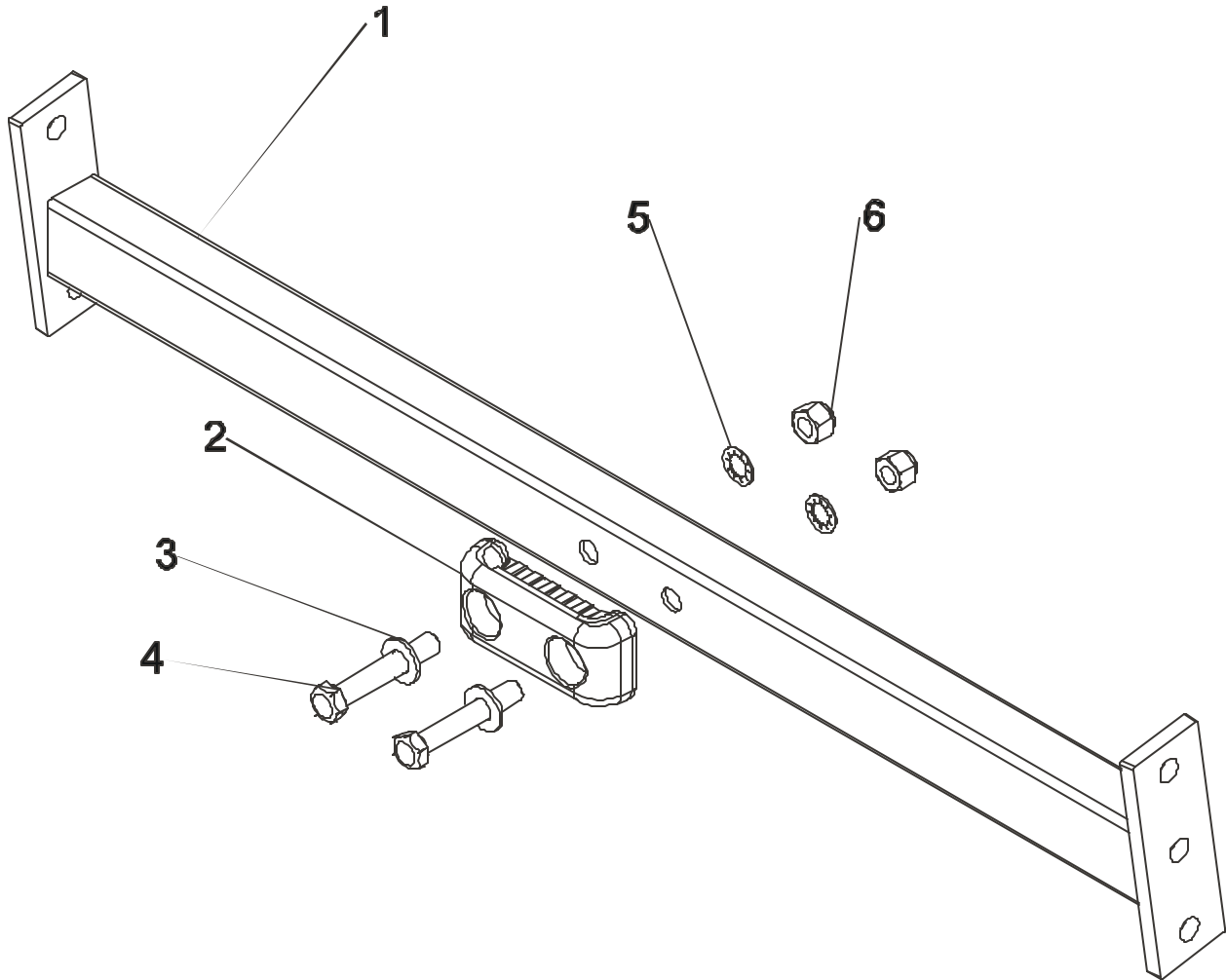
RAMSEY MTSAB ABDOMINAL PRESS

RIGHT SIDE FRAME ASSEMBLY CALLOUTS (2 of 2)

ITEM NO	QTY.	PART NO.	DESCRIPTION
14	4	3102807	NUT, NYLOCK 3/8-16 LOW HT
16	6	3223302	3/8-16 X 16 HEX HEAD BOLT
34	2	M051-00289-A000	HAMMER STRENGTH NAME PLATE
35	1	7422004	LABEL, 2" ASTM WARN
37	1	7502701	WLDMT, MTAB, UPPER MOVE
38	2	7505601	ASSY, MTAB, LINK
39	1	7505501	ASSY, MTAB, R LOWER ARM
40	1	7504001	WLDMT, MTAB, AXLE
41	4	0017-00104-0390	WASHER, FLAT, WHT NYLON
42	1	6912804	SLEEVE, ACCRDN 1.0 ID X 2
43	4	3233503	1/2 DIA X HXS, SOC, SHL
44	4	3102802	NUT, NYLOCK 3/8-16
45	4	3102514	WASHER, TYPE A PLAIN
46	1	7465095	PLATE, MTS, BELT ATTACH
47	1	7504801	SHROUD, MTAB, UPPER
48	2	7422003	LABEL, MOVING PARTS
49	2	3244901	CAP, END, 1.187" X .750" RD, BLACK VINYL

RAMSEY MTSAB ABDOMINAL PRESS

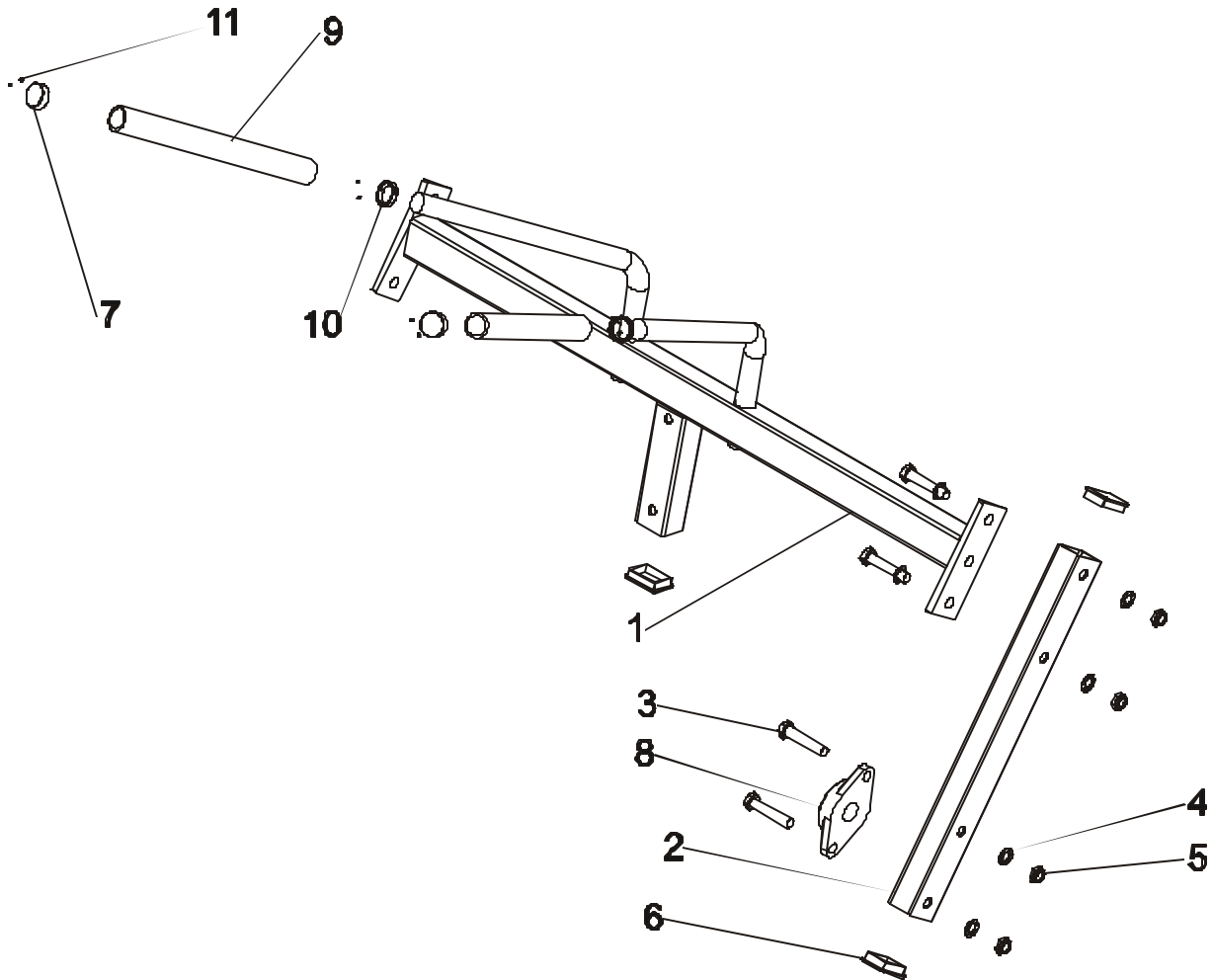
CROSS FRAME WELDMENT



ITEM NO.	QTY.	PART NO.	DESCRIPTION
1	1	7480401	WLDMT, MTAB, CROSS FRAME
2	1	7352001	BUMPER, 2-1/8 X 4-5/8
3	2	3102507	WASHER, TYPE A PLAIN
4	2	3239312	1/2-13 X 3.00 UNS HEX FHB G5 ZN
5	2	3239505	WSH, .500 IN-D ST ZN
6	2	3102801	NUT, NYLOCK

RAMSEY MTSAB ABDOMINAL PRESS

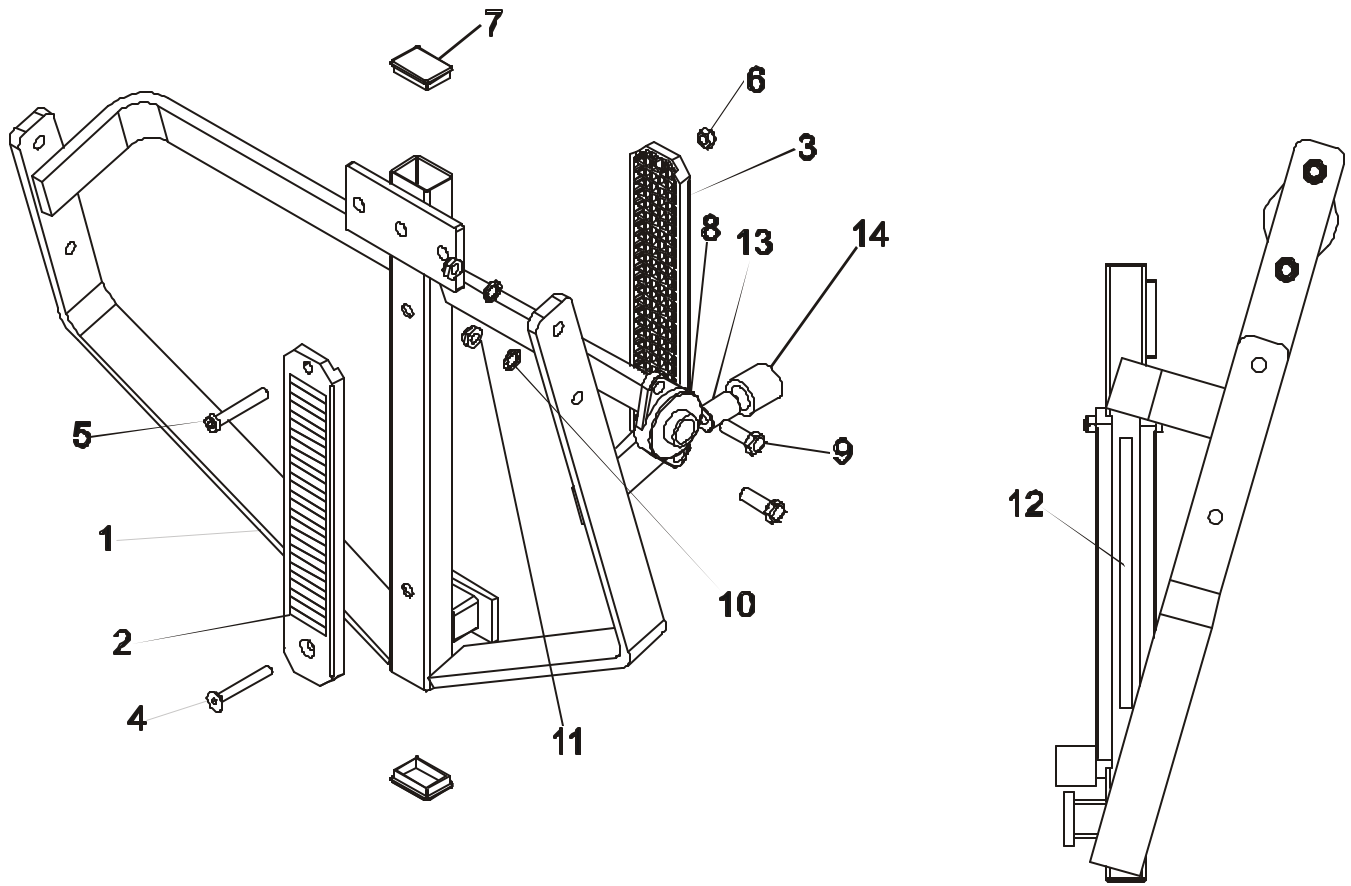
TOP MOVEMENT ARM WELDMENT



ITEM NO.	QTY.	PART NO.	DESCRIPTION
1	1	7502301	WLDMT, MTAB, TOP MOVE ARM
2	1	7505101	TUBE, MTAB, 2 X 1-1/2, 11GA
3	4	3239310	1/2-13 X2.50 UNS HEX FHB G5 ZN
4	6	3239505	WSH, .500 IN-D ST ZN
5	4	3102804	NUT, NYLOCK
6	3	7477301	CAP, END, 1-1/2 X 2, 11GA SGRY
7	2	7306901	CAP, GRIP 1.25 OD
8	1	3239901	BEARING, 2 HOLE FLANGE, 1" ID
9	2	3235801	GRIP, SHADOW GRAY, 12.5"
10	2	7315601	RING, GRIP 1.25 OD
11	8	3237201	M3 X .5 HXS NO CUP ST BO

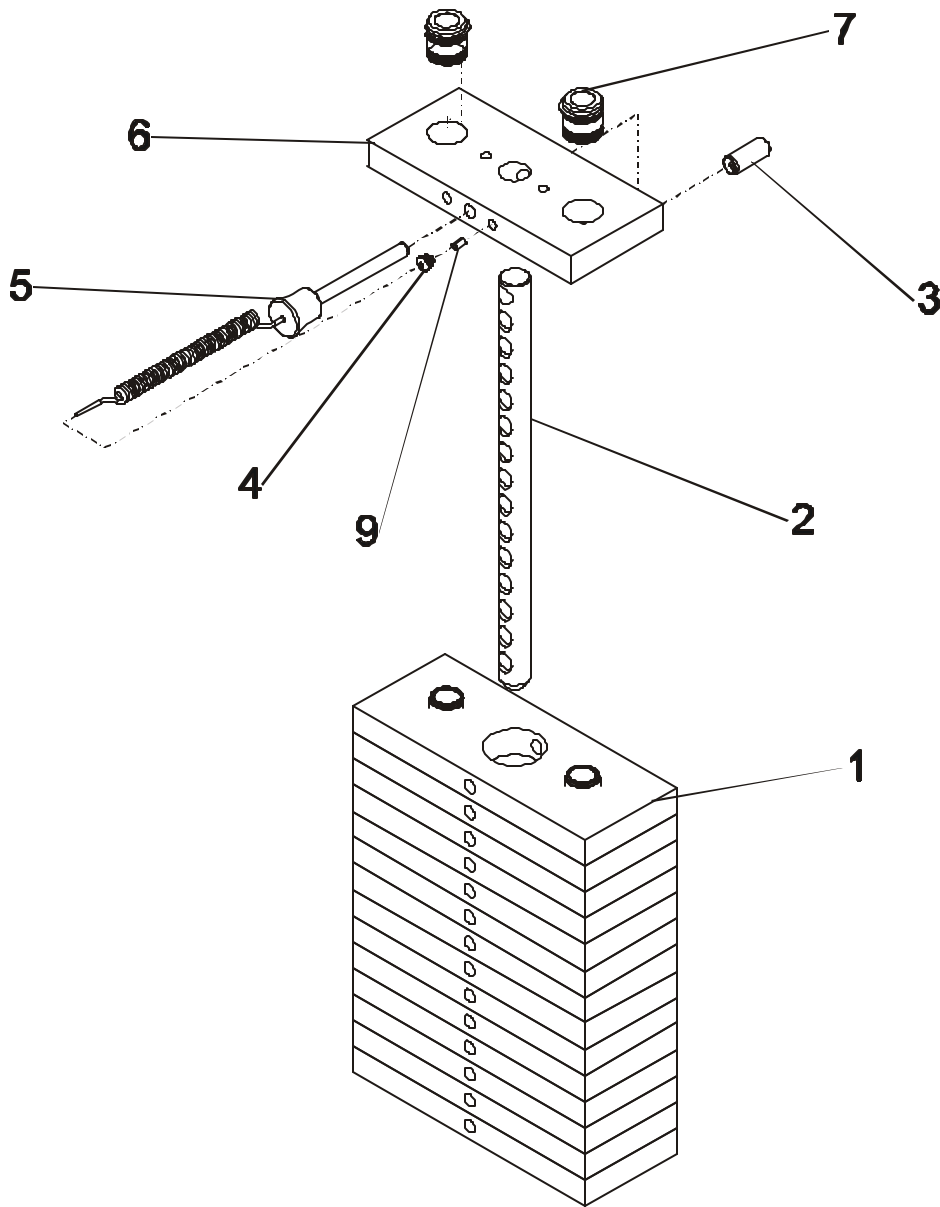
RAMSEY MTSAB ABDOMINAL PRESS

LOWER ARM ASSEMBLY



ITEM NO.	QTY.	PART NO.	DESCRIPTION
1	1	7503201	WLDMT, MTAB, LOWER MOVE
2	1	7564301	SEATRACK, ROLLER SERRATED
3	1	7564401	SEATRACK, FLAT
4	1	3238312	M10x1.5x75mm
5	1	3236211	SCREW, M10 X1.5 70MM
6	1	3236801	NUT, M10 HEX NYLOCK SS
7	2	7477301	CAP, END, 1-1/2 X 2, 11GA SGRY
8	1	3239901	BEARING, 2 HOLE FLANGE, 1" ID
9	2	3239306	1/2-13 X 1.50 UNS HEX FHB G5 ZN
10	2	3239505	WSH, .500 IN-D ST ZN
11	2	3102804	NUT, NYLOCK
12	1	7422002	LABEL, SEAT ADJUST
13	1	7570601	STOP, ROLLER SEAT
14	1	3235802	GRIP, SHADOW GRAY, 1.5"

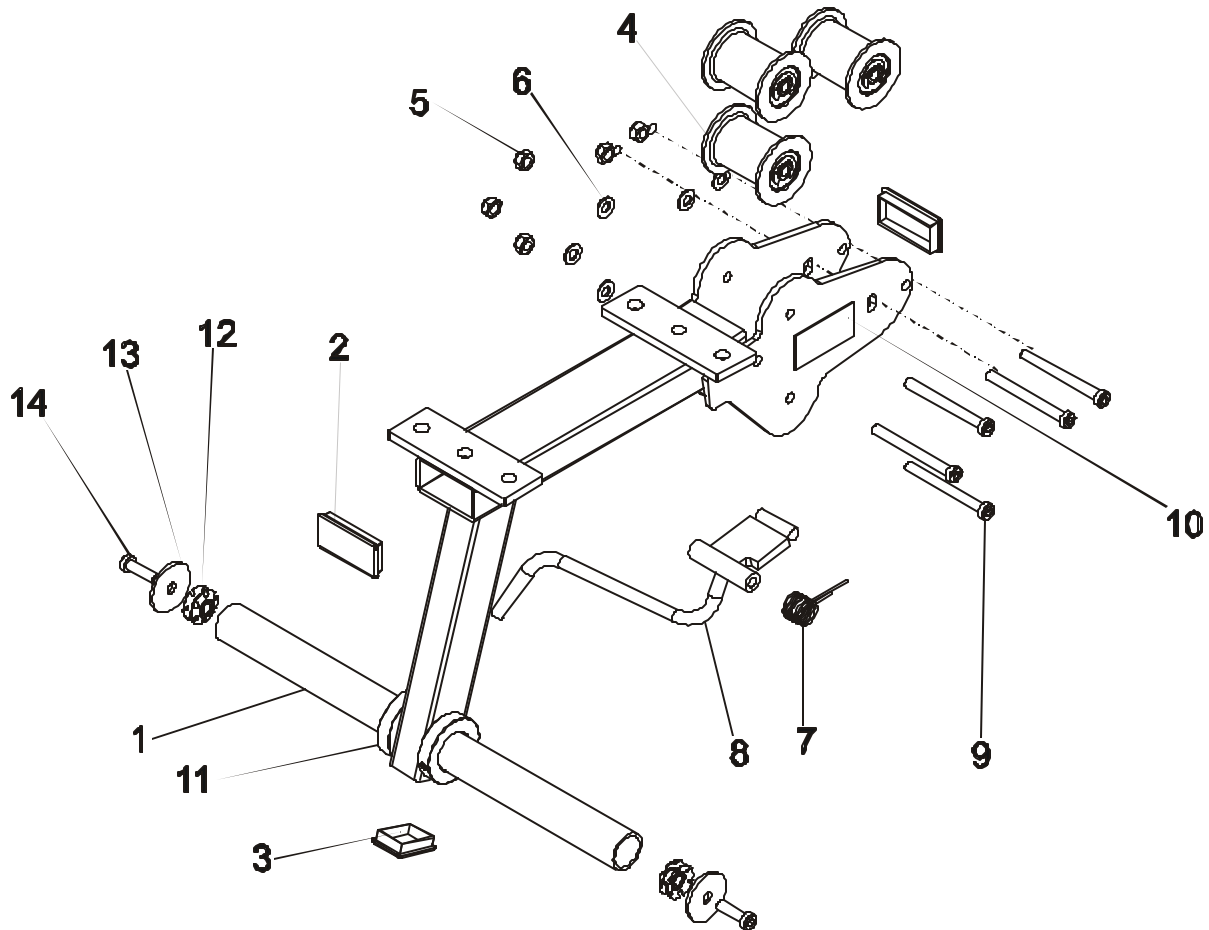
RAMSEY MTSAB ABDOMINAL PRESS WEIGHT STACK ASSEMBLY



ITEM NO.	QTY.	PART NO.	DESCRIPTION
1	14	7353701	ASSY, 10 LB PLATE
2	1	7464801	BAYONET, MTS, 15 HOLE
3	1	3236001	BUSHING, SPRING PIN
4	1	7356501	PLUG, LANYARD ATTACHMENT
5	1	7353001	ASSY, SELECTOR PIN
6	1	7434401	HEAD PLATE, MTS
7	2	7338001	BUSHING, HEADPLATE
9	1	7523601	CRIMP, CABLE

RAMSEY MTSAB ABDOMINAL PRESS

SEAT FRAME ASSEMBLY



ITEM NO.	QTY.	PART NO.	DESCRIPTION
1	1	7504201	WLDMT, MTAB, SEAT FRAME
2	2	7477401	CAP. END, 1-1/2 X 3, 11GA SGRY
3	1	7477301	CAP. END, 1-1/2 X 2, 11GA SGRY
4	3	7564201	ASSY, SEAT ROLLER
5	5	3236801	NUT, M10 HEX NYLOCK SS
6	5	3236601	WASHER, 3/8 SAE SS
7	1	7442701	SPRNG, PRO2 HANDLE TORSION
8	1	7504695	WLDMT, MTS, 20 SEAT HANDLE
9	5	3236217	SCREW, M10 X1.5 100MM
10	1	7422001	LABEL, SEAT INST
11	2	7357901	SHAFT COLLAR, 1-1/2" ID ALUM
12	2	7347301	NUT, SPIDER M10 X 1.5
13	2	7322301	PLATE, 1.97 OD X .44 ID 10GA
14	2	3236204	SCREW, M10 X1.5 35MM