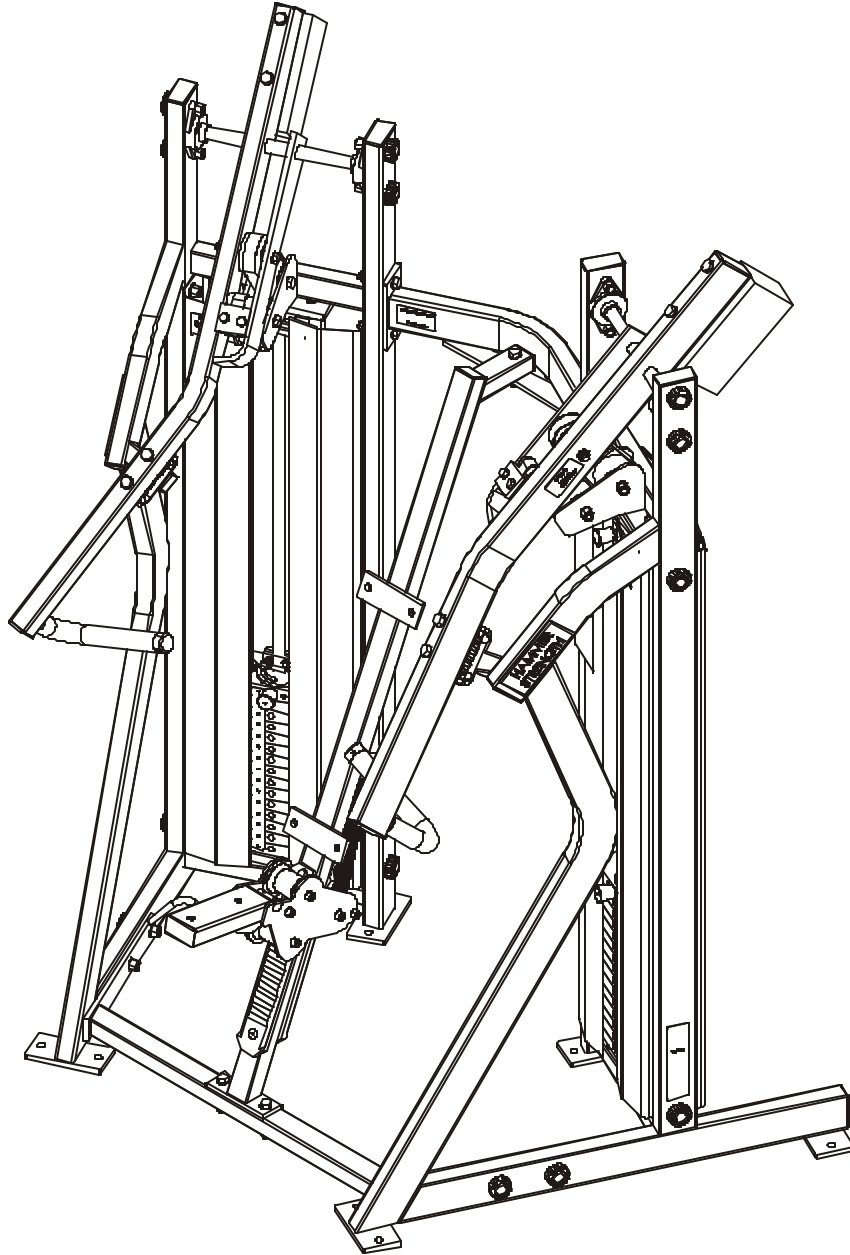


# *LifeFitness*

## RAMSEY MTSCP - MOTION TECHNOLOGY SELECTORIZED CHEST PRESS



## Customer Support Services ***PARTS MANUAL***

# RAMSEY MTSCP CHEST PRESS

Notes:

---

# RAMSEY MTSCP CHEST PRESS

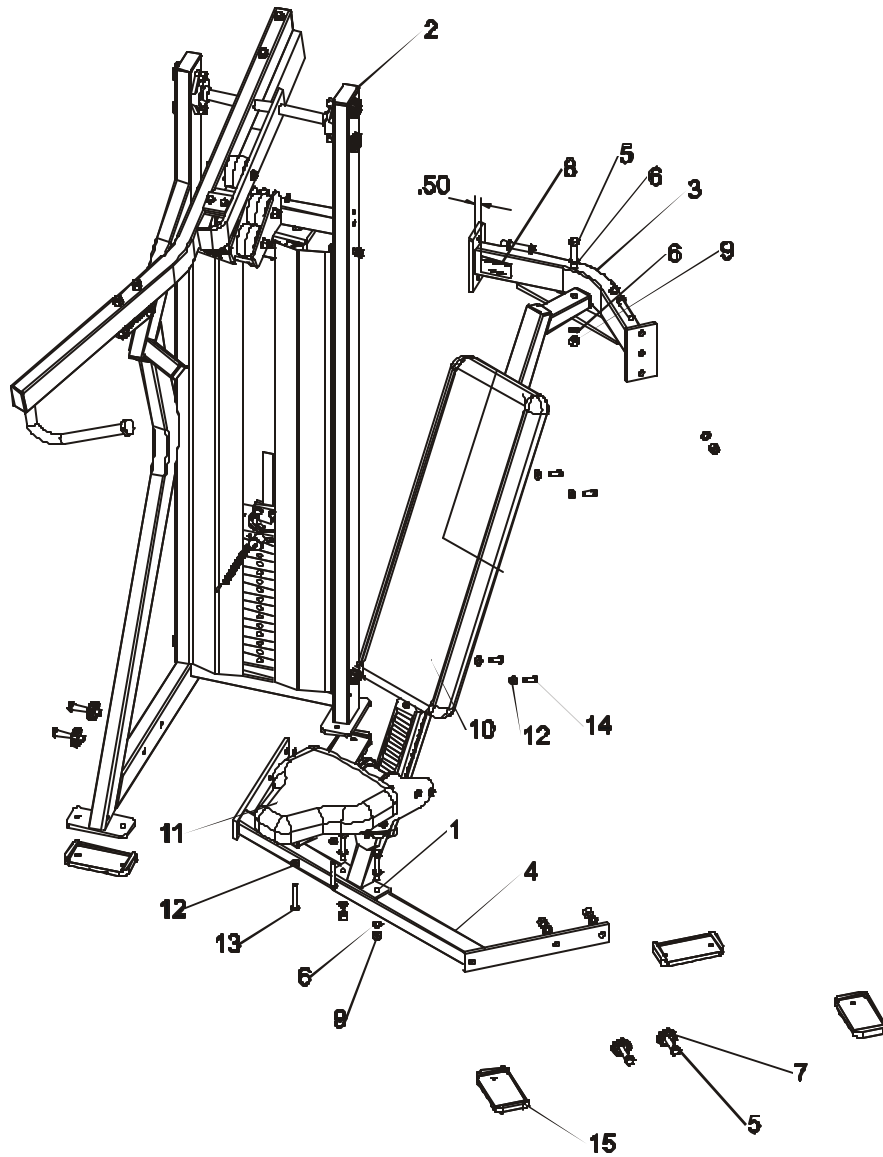
## Contents

---

	<b>PAGE</b>
COMPONENT ASSEMBLY .....	4
LEFT SIDE FRAME ASSEMBLY.....	5
LEFT SIDE FRAME CALLOUTS.....	6
RIGHT SIDE ASSEMBLY.....	7
RIGHT SIDE ASSEMBLY CALLOUTS.....	8
SEAT FRAME ASSEMBLY .....	9
WEIGHT STACK ASSEMBLY 150 LBS.....	10

# RAMSEY MTSCP CHEST PRESS

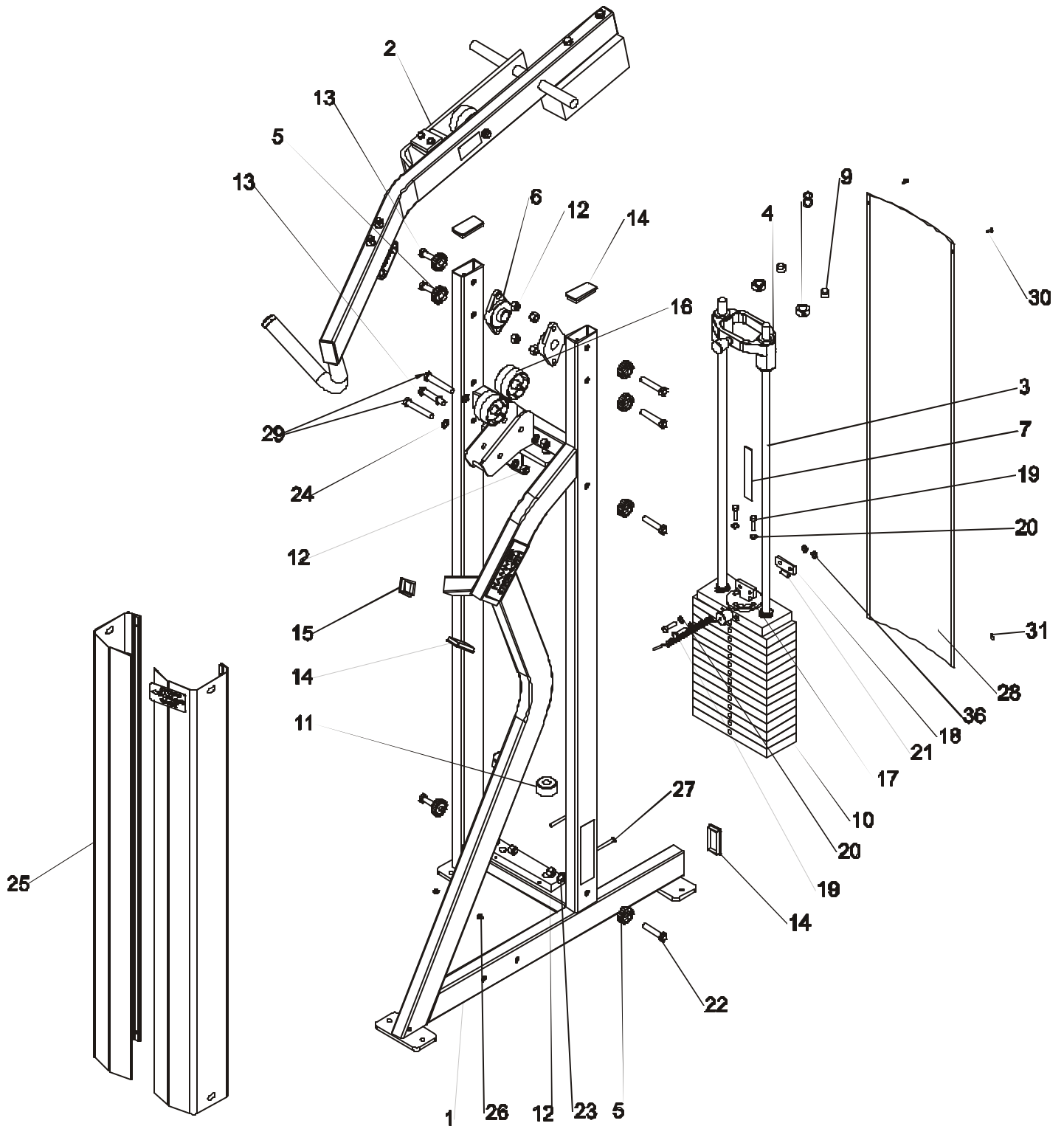
## COMPONENT ASSEMBLY



ITEM NO.	QTY.	PART NO.	DESCRIPTION
1	1	7514601	ASSY, MTCP, SEAT FRAME
2	1	7513401	ASSY, MTIP, RIGHT SIDE
3	1	7501701	WLDMT, MTIP, X-BRACE TOP
4	1	7513901	WLDMT, MTCP, BOTTOM BRACE
5	9	3239311	1/2-13 X 2.75 UNS HEX FHB G5 ZN
6	14	3239505	WSH, .500 IN-D ST ZN
7	4	7434001	WASHER, MTS, HAMMER HEAD
8	1	M051-00299-A000	HAMMER PATENT DECAL
9	9	3102801	NUT, NYLOCK
10	1	7354001	PAD, BACK 32-1/2 X 11-1/4
11	1	7351901	PAD, SADDLE
12	6	3236601	WASHER, 3/8 SAE SS
13	2	3236210	SCREW, M10 X1.5 65MM
14	4	3236204	SCREW, M10 X1.5 35MM
15	6	7388201	Footpad, PS Rubber

# RAMSEY MTSCP CHEST PRESS

## LEFT SIDE ASSEMBLY



**RAMSEY MTSCP CHEST PRESS**  
**LEFT SIDE ASSEMBLY CALLOUTS**

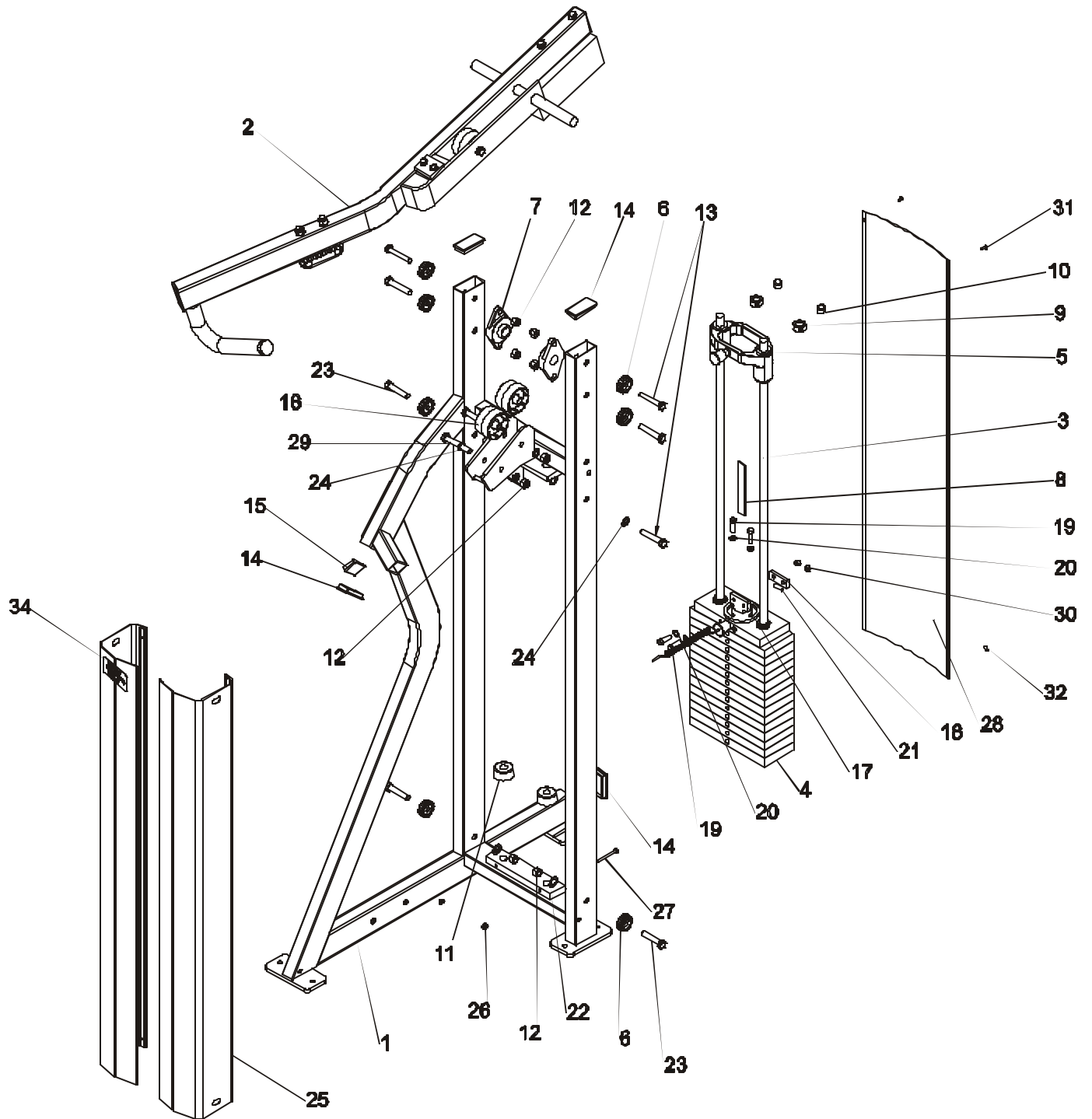
---

ITEM NO.	QTY.	PART NO.	DESCRIPTION
1	1	7501601	WLDMT, MTIP, SIDE FRAME LT
2	1	7513701	ASSY, MTIP, LEFT ARM
3	2	7328612	GUIDE ROD, .75 OD SOLID 50.44
4	1	7459901	ASSY, MTS, INCREMENT WEIGHT
5	7	7434001	WASHER, MTS, HAMMER HEAD
6	2	3239901	BEARING, 2 HOLE FLANGE, 1" ID
7	1	7435701	BELT, SPOOLED, W15/16, T.09
8	2	3103301	SHAFT COLLAR, 3/4 I.D. ZINC
9	2	3242701	CAP, END, .75 X .50. RD, BLACK
10	1	7464701	ASSY, MTS, 150 LB STACK
11	2	7352101	CUSHION, WEIGHT STACK
12	10	3102801	NUT, NYLOCK
13	5	3239311	1/2-13 X 2.75 UNS HEX FHB G5 ZN
14	4	7477401	CAP. END, 1-1/2 X 3, 11GA SGRY
15	1	7477301	CAP, END, 1-1/2 X 2, 11GA SGRY
16	2	7594601	PULLEY, MTS, 3" BELT
17	1	7434895	WLDMT, MTS, BELT ATTACH
18	1	7435295	PLATE, MTS, BELT CLAMP
19	4	3223302	3/8-16 X 16 HEX HEAD BOLT
20	4	3239503	WSH, .375 IN-D ST ZN
21	1	7435101	SHAFT, 3/8" DIA SS, BELT WRAP
22	3	3239310	1/2-13 X2.50 UNS HEX FHB G5 ZN
23	4	3239507	WSH, .625 IN-D ST ZN
24	5	3239505	WSH, .500 IN-D ST ZN
25	2	7465103	SHROUD, MTS, SIDE 50.23" SGRY
26	2	3102806	NUT, NYLOCK 1/4-20 ZN
27	2	3223809	1/4-20 UNS HEX FHB G5 ZN
28	1	7435603	PANEL, MTS, PLASTIC 50.23"
29	2	3239313	1/2-13 X 3.25 UNS HEX FHB G5 ZN
30	2	0017-00101-1587	SHIELD RIVET
31	2	7564101	LABEL, MTS, .625 DIA HOLE COVER
32	1	M051-00298-A000	INCREMENT WT. DECAL (LEFT)
33	1	7422004	LABEL, 2" ASTM WARN
34	1	M051-00289-A000	HAMMER STRENGTH NAME PLATE
35	1	7422003	LABEL, MOVING PARTS
36	2	3102807	NUT, NYLOCK 3/8-16 LOW HT

# RAMSEY MTSCP CHEST PRESS

## RIGHT SIDE ASSEMBLY

---



**RAMSEY MTSCP CHEST PRESS**  
**RIGHT SIDE ASSEMBLY CALLOUTS**

---

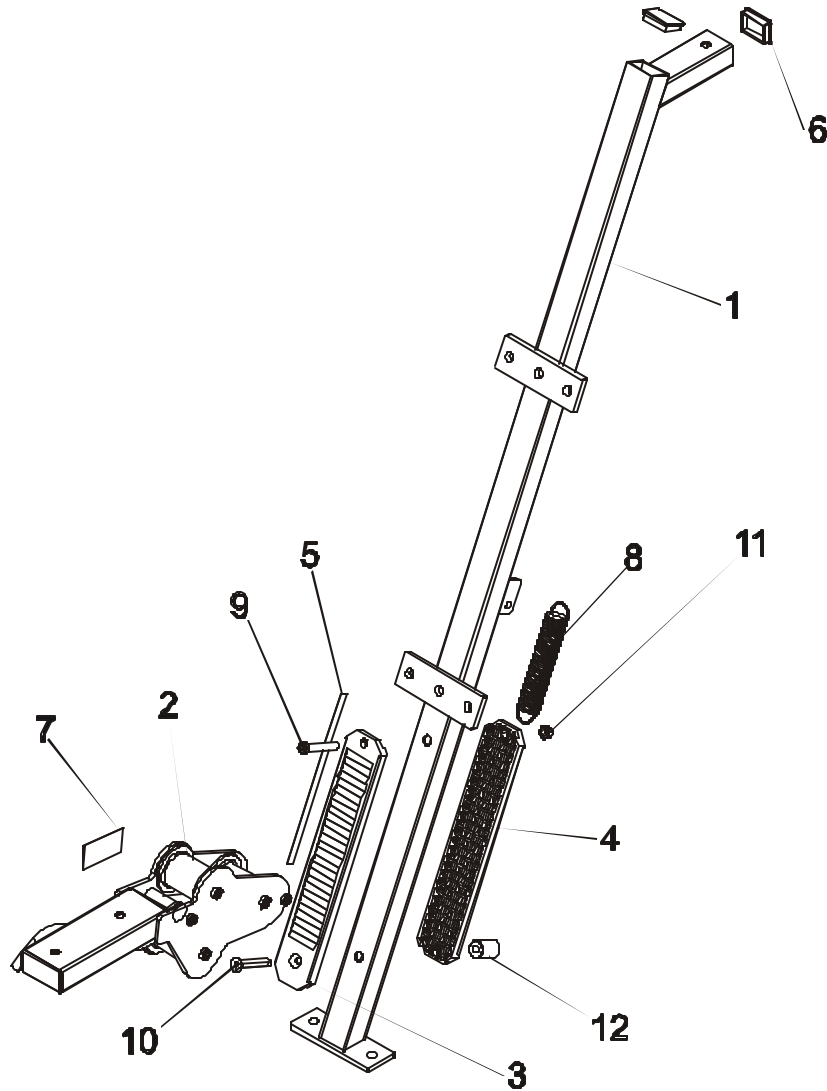
ITEM NO.	QTY.	PART NO.	DESCRIPTION
1	1	7501501	WLDMT, MTIP, SIDE FRAME RT
2	1	7513601	ASSY, MTIP, RIGHT ARM
3	2	7328612	GUIDE ROD, .75 OD SOLID 50.44
4	1	7464701	ASSY, MTS, 150 LB STACK
5	1	7459901	ASSY, MTS, INCREMENT WEIGHT
6	7	7434001	WASHER, MTS, HAMMER HEAD
7	2	3239901	BEARING, 2 HOLE FLANGE, 1" ID
8	1	7435701	BELT, SPOOLED, W15/16, T.09
9	2	3103301	SHAFT COLLAR, 3/4 I.D. ZINC
10	2	3242701	CAP, END, .75 X .50. RD, BLACK
11	2	7352101	CUSHION, WEIGHT STACK
12	10	3102801	NUT, NYLOCK
13	5	3239311	1/2-13 X 2.75 UNS HEX FHB G5 ZN
14	4	7477401	CAP. END, 1-1/2 X 3, 11GA SGRY
15	1	7477301	CAP, END, 1-1/2 X 2, 11GA SGRY
16	2	7594601	PULLEY, MTS, 3" BELT
17	1	7436595	WLDMT, MTS, BELT ATTACH LH
18	1	7435295	PLATE, MTS, BELT CLAMP
19	4	3223302	3/8-16 X 16 HEX HEAD BOLT
20	4	3239503	WSH, .375 IN-D ST ZN
21	1	7435101	SHAFT, 3/8" DIA SS, BELT WRAP
22	4	3239507	WSH, .625 IN-D ST ZN
23	3	3239310	1/2-13 X2.50 UNS HEX FHB G5 ZN
24	5	3239505	WSH, .500 IN-D ST ZN
25	2	7465103	SHROUD, MTS, SIDE 50.23" SGRY
26	2	3102806	NUT, NYLOCK 1/4-20 ZN
27	2	3223809	1/4-20 UNS HEX FHB G5 ZN
28	1	7435603	PANEL, MTS, PLASTIC 50.23"
29	2	3239313	1/2-13 X 3.25 UNS HEX FHB G5 ZN
30	2	3102807	NUT, NYLOCK 3/8-16 LOW HT
31	2	0017-00101-1587	SHIELD RIVET
32	2	7564101	LABEL, MTS, .625 DIA HOLE COVER
33	1	M051-00289-A000	HAMMER STRENGTH NAME PLATE
34	1	M051-00297-A000	INCREMENT WT. DECAL (RIGHT)
35	1	7422003	LABEL, MOVING PARTS



# RAMSEY MTSCP CHEST PRESS

## SEAT FRAME ASSEMBLY

---

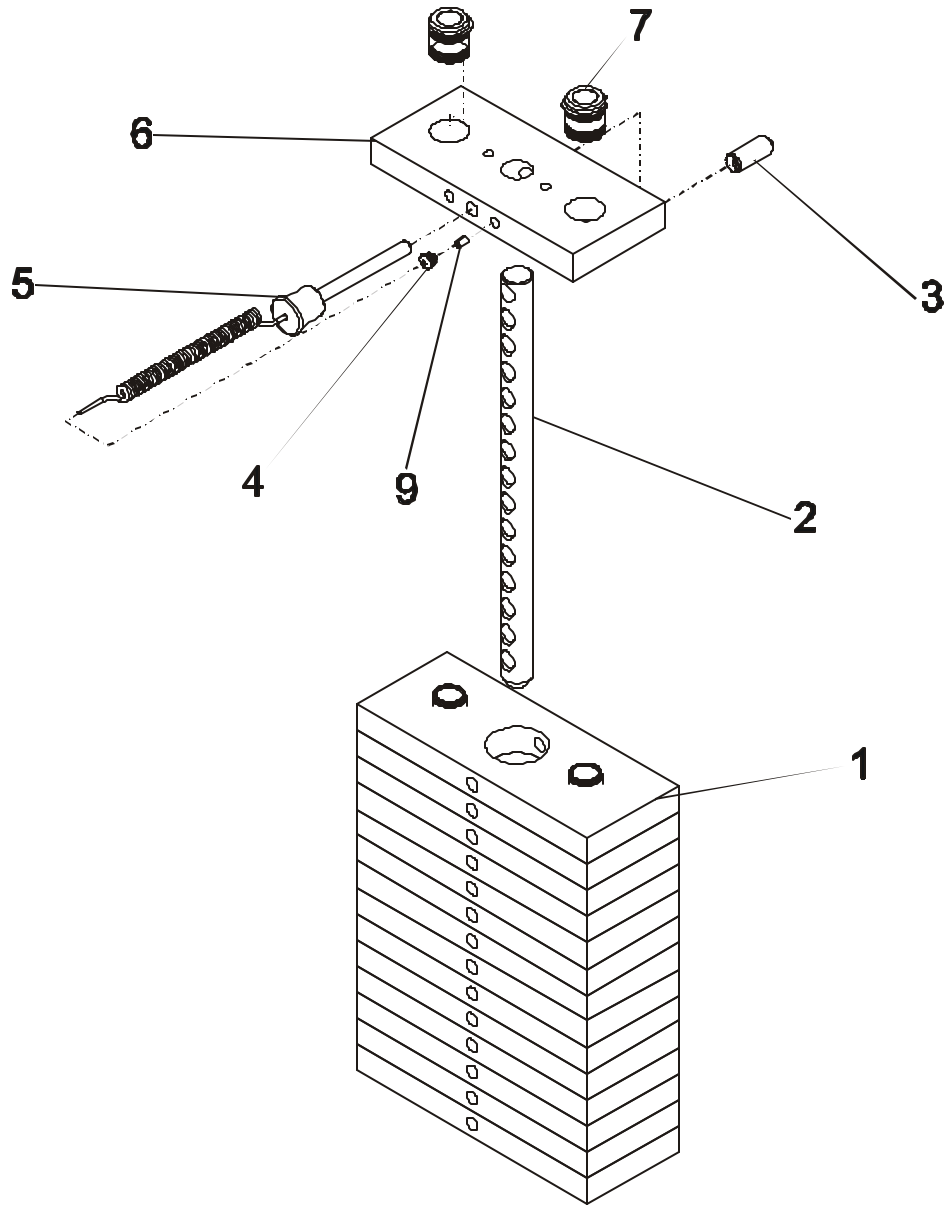


ITEM NO.	QTY.	PART NO.	DESCRIPTION
1	1	7514101	WLDMT, MTCP, SEAT BACK
2	1	7436401	ASSY, MTS, 97 SEAT
3	1	7564301	SEATRACK, ROLLER SERRATED
4	1	7564401	SEATRACK, FLAT
5	1	7422002	LABEL, SEAT ADJUST
6	2	7477301	CAP, END, 1-1/2 X 2, 11GA SGRY
7	1	7422001	LABEL, SEAT INST
8	1	7442601	SPRING, PRO2 ROLLER SEAT
9	1	3236211	SCREW, M10 X1.5 70MM
10	1	3238311	M10x1.5x70mm
11	1	3236801	NUT, M10 HEX NYLOCK SS
12	1	7570601	STOP, ROLLER SEAT

# RAMSEY MTSCP CHEST PRESS

## WEIGHT STACK ASSEMBLY 150 LBS

---



ITEM NO.	QTY.	PART NO.	DESCRIPTION
1	14	7353701	ASSY, 10 LB PLATE
2	1	7464801	BAYONET, MTS, 15 HOLE
3	1	3236001	BUSHING, SPRING PIN
4	1	7356501	PLUG, LANYARD ATTACHMENT
5	1	7353001	ASSY, SELECTOR PIN
6	1	7434401	HEAD PLATE, MTS
7	2	7338001	BUSHING, HEADPLATE
9	1	7523601	CRIMP, CABLE