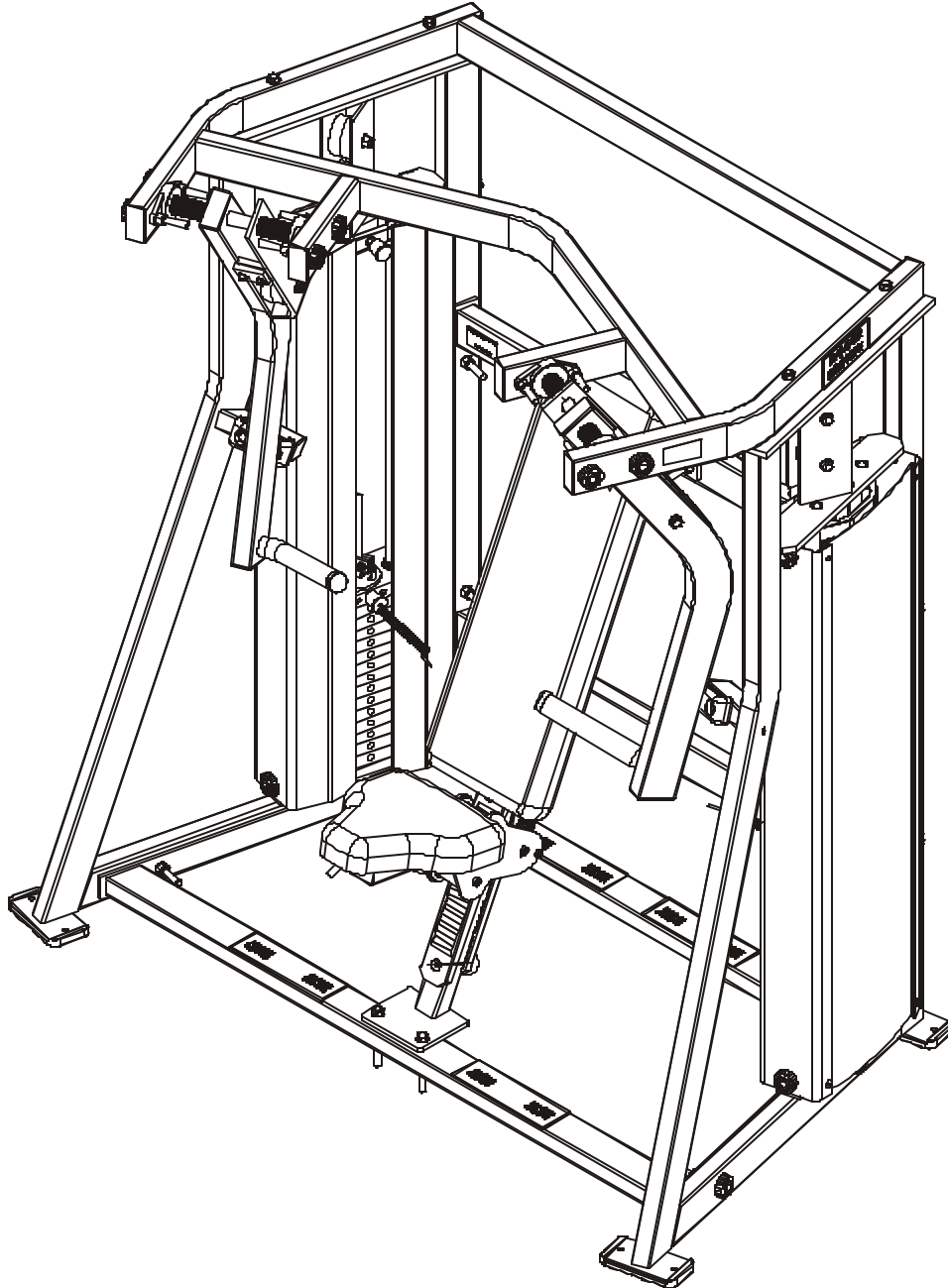


LifeFitness

RAMSEY MTSDP - MOTION TECHNOLOGY SELECTORIZED DECLINE PRESS



Customer Support Services ***PARTS MANUAL***

RAMSEY MTSDP DECLINE PRESS

Notes:

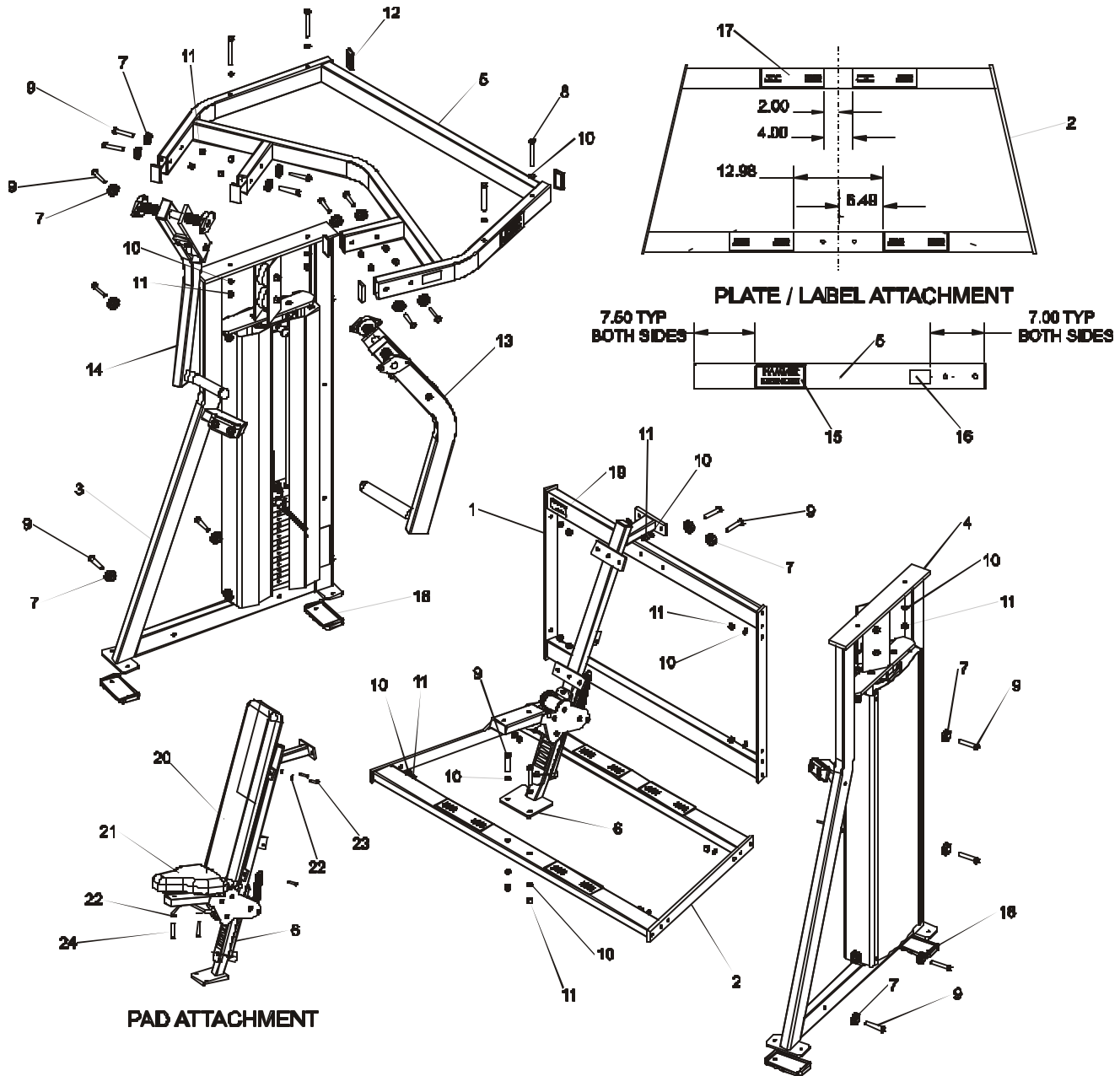
RAMSEY MTSDP DECLINE PRESS

Contents

	PAGE
COMPONENT ASSEMBLY	4
LEFT SIDE ASSEMBLY	5
LEFT ARM ASSEMBLY	6
RIGHT ARM ASSEMBLY.....	7
RIGHT SIDE ASSEMBLY.....	8
SEAT FRAME ASSEMBLY	9
WEIGHT STACK ASSEMBLY 150 LBS.....	10

RAMSEY MTSDP DECLINE PRESS

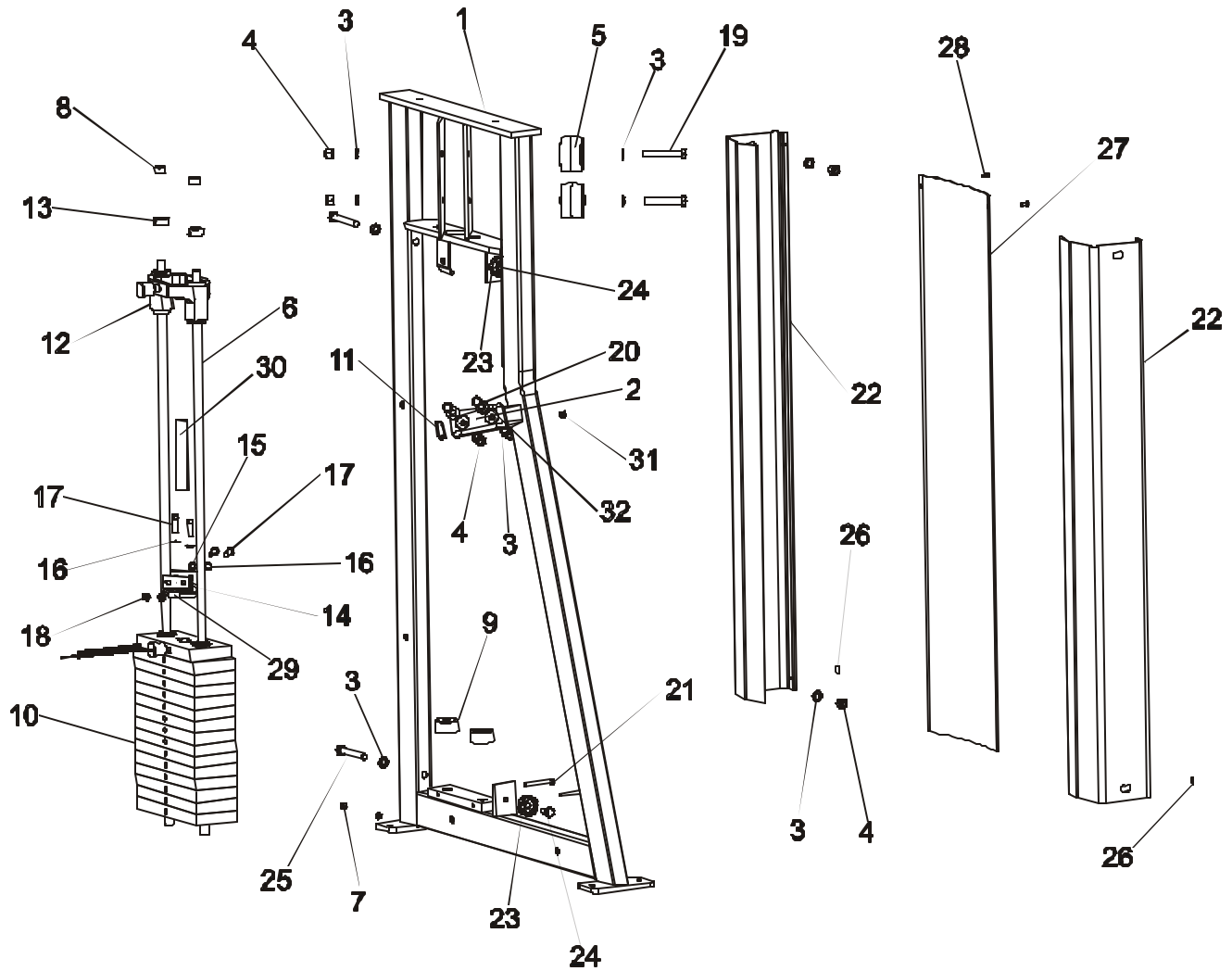
COMPONENT ASSEMBLY



ITEM NO.	QTY.	PART NO.	DESCRIPTION	ITEM NO.	QTY.	PART NO.	DESCRIPTION
1	1	7552001	WLDMT. MTDP, BACK FRAME	13	1	7555301	ASSY, MTDP, LEFT ARM
2	1	7554501	WLDMT. MTDP, BASE FRAME	14	1	7555501	ASSY, MTDP, RIGHT ARM
3	1	7555601	ASSY, MTDP, RIGHT SIDE	15	2	M051-00289-A000	HAMMER STRENGTH NAME PLATE
4	1	7555201	ASSY, MTDP, LEFT SIDE	16	2	7422003	LABEL, MOVING PARTS
5	1	7552801	WLDMT. MTDP, TOP FRAME	17	4	0017-00042-046	2.75 X 9.25 FRAME GUARD
6	1	7555701	ASSY, MTDP, SEAT FRAME	18	4	7388201	Footpad, PS Rubber
7	18	7434001	WASHER, MTS, HAMMER HEAD	19	1	M051-00299-A000	HAMMER PATENT DECAL
8	4	3239317	1/2-13 X 4.25 UNS HEX FHB C5 ZN	20	1	7354001	PAD, BACK 32-1/2 X 11-1/2
9	20	3239311	1/2-13 X 2.75 UNS HEX FHB C5 ZN	21	1	7354901	PAD, SADDLE
10	22	3239505	WSH. .500 IN-D ST ZN	22	6	3236601	WASHER, 3/8 SAE SS
11	24	3102801	NUT, NYLOCK	23	4	3236204	SCREW, M10 X1.5 35MM
12	6	7477401	CAP. END. 1-1/2 X 3, 11GA SGRY	24	2	3236210	SCREW, M10 X1.5 65MM

RAMSEY MTSDP DECLINE PRESS

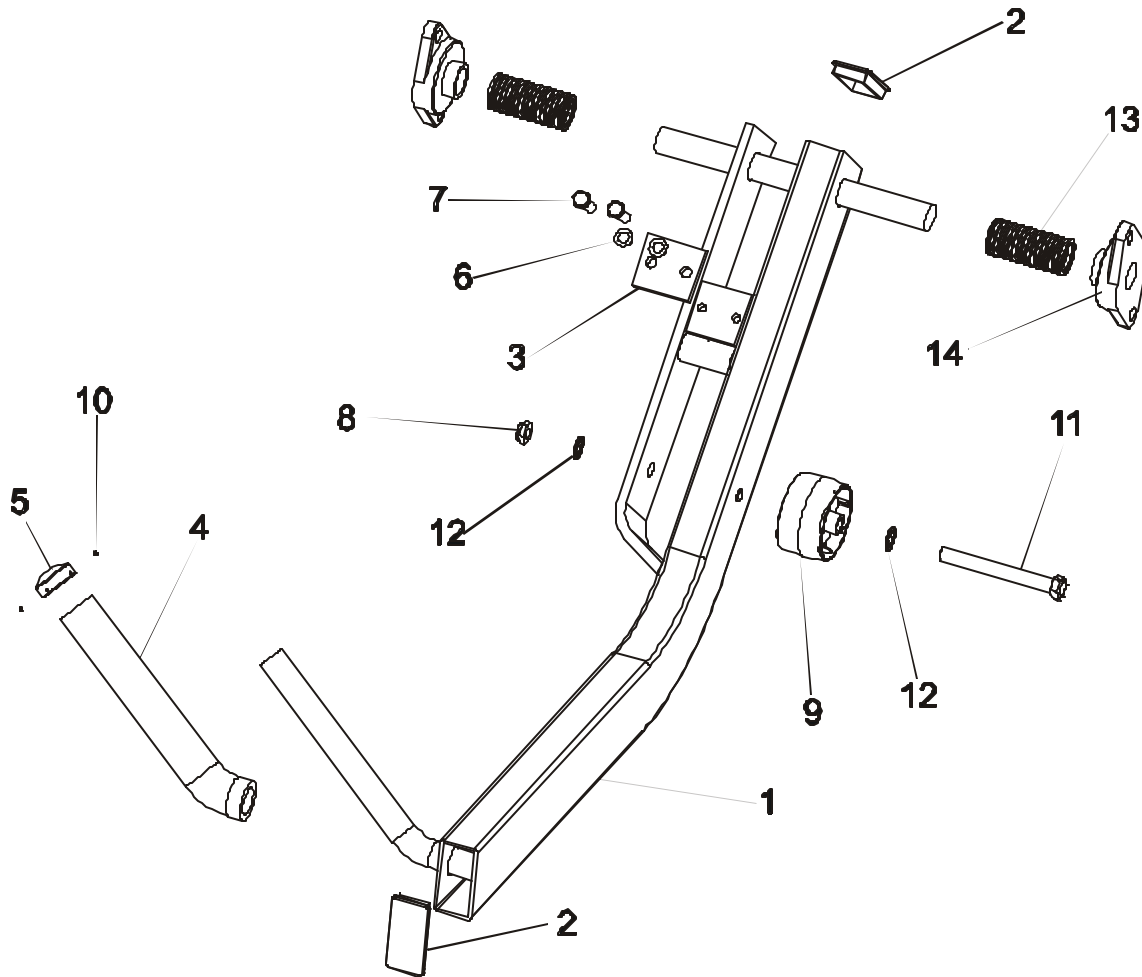
LEFT SIDE ASSEMBLY



ITEM NO.	QTY.	PART NO.	DESCRIPTION	ITEM NO.	QTY.	PART NO.	DESCRIPTION
1	1	7555101	WLDMT. MTDP. LEFT FRAME	17	4	3223302	3/8-16 X 6 HEX HEAD BOLT
2	1	7352301	BUMPER, 2-1/8 X 4-5/8	18	2	3102807	NUT, NYLOCK 3/8-16 LOW HT
3	10	3239505	WSH, .500 I.N-D ST ZN	19	2	3239313	1/2-13 X 3.25 UNS HFX FHB G5 ZN
4	6	3102301	NUT, NYLOCK	20	2	3239314	1/2-13 X 3.50 UNS HFX FHB G5 ZN
5	2	7591801	PULLEY, MTS, 3" BELT	21	2	3223809	1/4-20 UNS HEX FHB G5 ZN
6	2	7328801	GUIDE ROD, .75 OD SCLID 48.38	22	2	7465702	SHROLD, MTS, SIDE 47.75" SGRY
7	2	3102306	NUT, NYLOCK 1/4-20 ZN	23	2	7434001	WASHER, MTS, HAMMER HEAD
8	2	3242701	CAP, END, .75 X .50, RD. BLACK	24	2	3239303	1/2-13 X .75 JNS HEX FHB G5 ZN
9	2	7352101	CUSHION, WEIGH-TI STACK	25	2	3239315	1/2-13 X 3.75 UNS HEX FHB G5 ZN
10	1	7461701	ASSY, MTS, 150 LB STACK	26	2	7564701	LABEL, VTS, .625 DIA HOLE COVER
11	1	7477301	CAP, END, 1-1/2 X 2, 11GA SGRY	27	1	7435602	PANEL, MTS, PLASTIC 47.75"
12	1	7459301	ASSY, MTS. INCREMENT WEIGHT	28	2	3017-00101-1587	SHIELD RIVE
13	2	3103301	SHAFT COLLAR, 3/4 I.D. ZINC	29	1	7435701	SHAFT, 3/8" DIA SS, BELT WRAP
14	1	7435295	PLATE, MTS. BELT CLAMP	30	1	7435701	BELT, SPOOLED, W15 16, T.09
15	1	7434895	WLDMT, MTS. BELT ATTACH	31	1	3237401	PLUG, 7/16" HOLE
16	2	3239503	WSH, .375 I.N-D ST ZN	32	2	3102507	WASHER, TYPE A PLAIN

RAMSEY MTSDP DECLINE PRESS

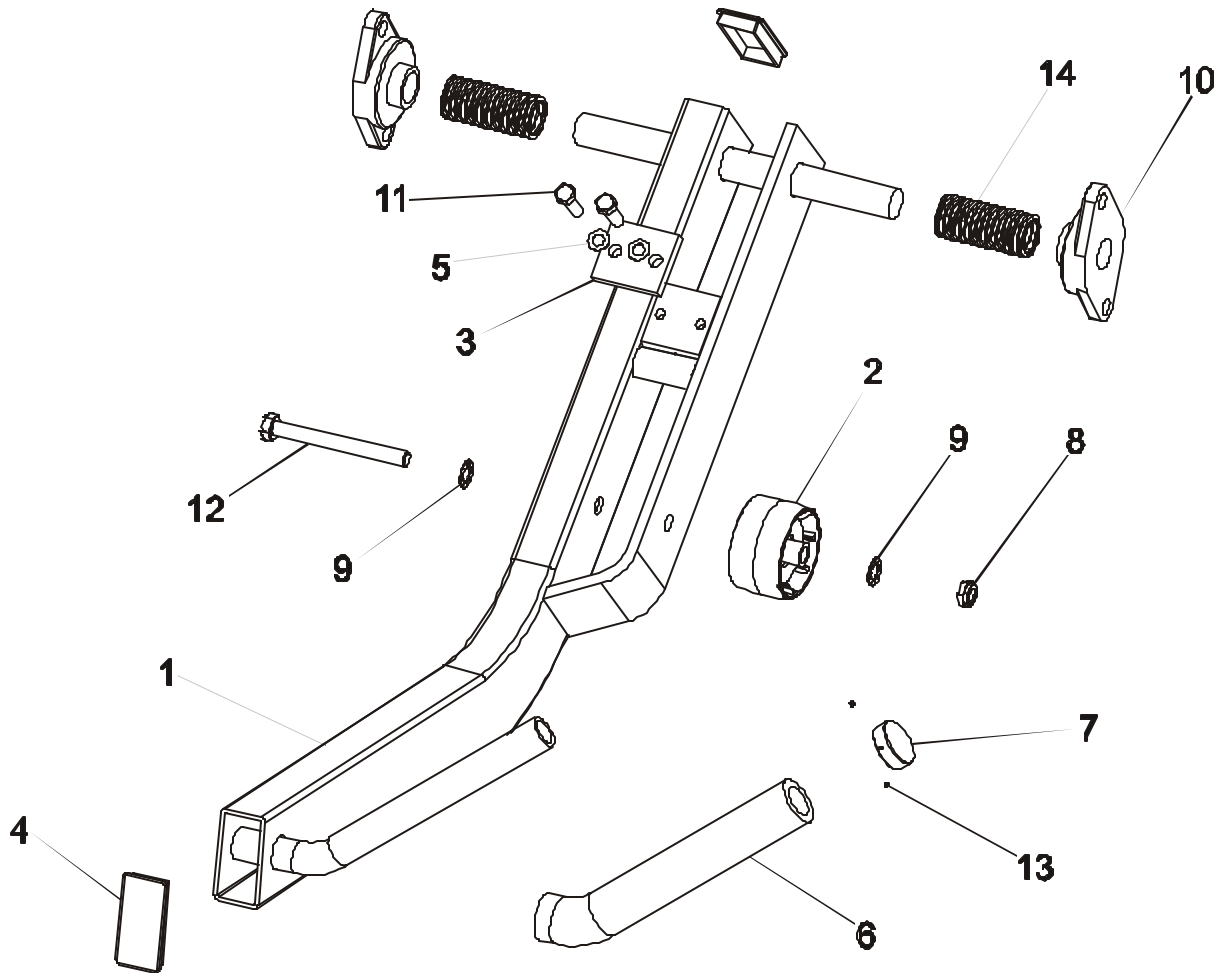
LEFT ARM ASSEMBLY



ITEM NO.	QTY.	PART NO.	DESCRIPTION
1	1	7553301	WLDMT, MTDP, L WORK ARM
2	2	7477401	CAP. END, 1-1/2 X 3, 11GA SGRY
3	1	7465095	PLATE, MTS, BELT ATTACH
4	1	3235802	MTDP GRIP, SHADOW GRAY, 9.65"
5	1	7306902	RING, GRIP 1.50 OD
6	2	3239503	WSH, .375 IN-D ST ZN
7	2	3223302	3/8-16 X 16 HEX HEAD BOLT
8	1	3102804	NUT, NYLOCK
9	1	7594601	PULLEY, MTS, 3" BELT
10	2	3237201	M3 X .5 HXS NO CUP ST BO
11	1	3239318	1/2-13 X 4.50 UNS HEX FHB G5 ZN
12	2	3239505	WSH, .500 IN-D ST ZN
13	2	6912806	SLEEVE, ACCRDN 1.0 ID X 3
14	2	3239901	BEARING, 2 HOLE FLANGE, 1" ID

RAMSEY MTSDP DECLINE PRESS

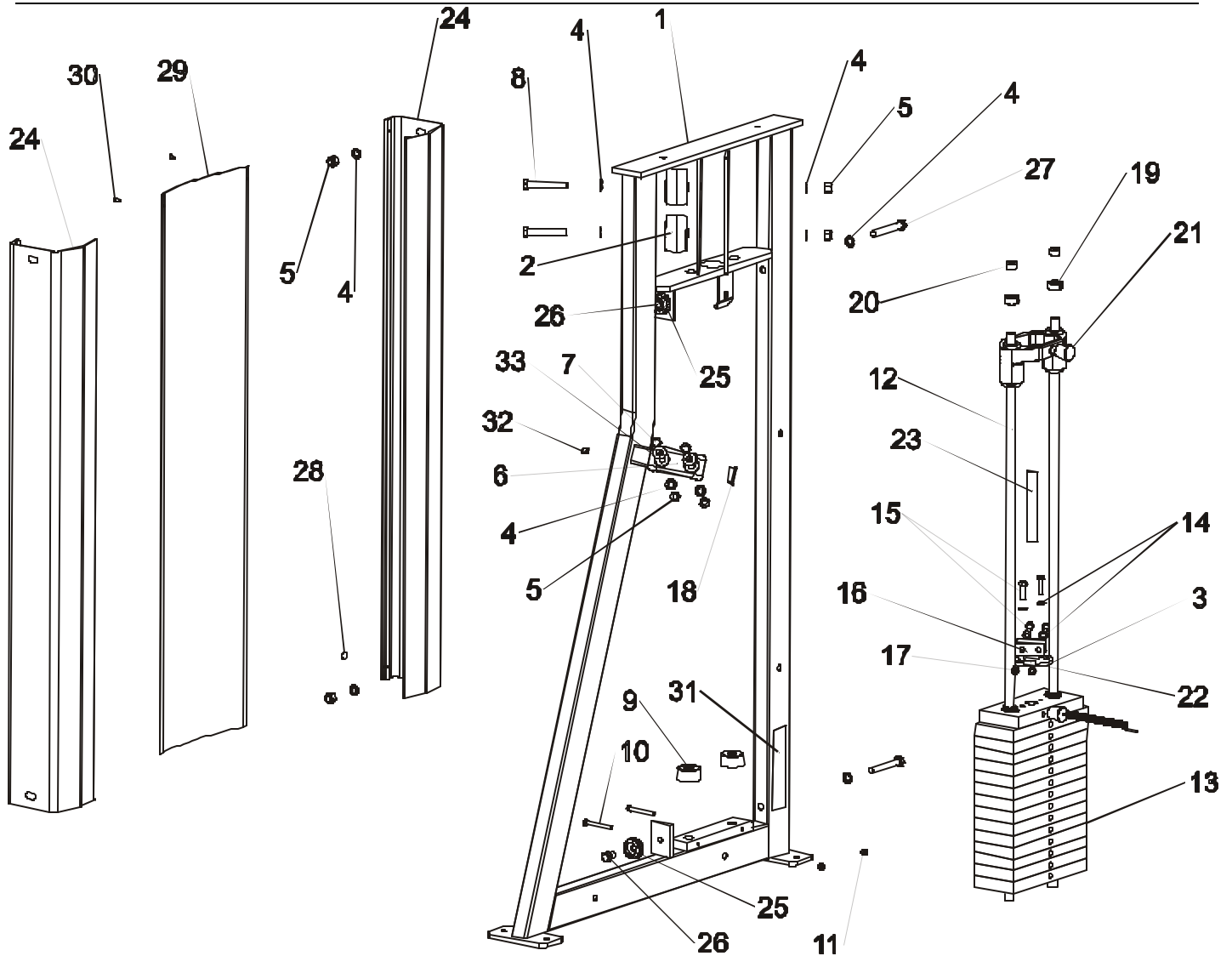
RIGHT ARM ASSEMBLY



ITEM NO.	QTY.	PART NO.	DESCRIPTION
1	1	7554901	WLDMT, MTDP, R MOVEMNT ARM
2	1	7594601	PULLEY, MTS, 3" BELT
3	1	7465095	PLATE, MTS, BELT ATTACH
4	2	7477401	CAP. END, 1-1/2 X 3, 11GA SGRY
5	2	3239503	WSH, .375 IN-D ST ZN
6	1	3235802	MTDP GRIP, SHADOW GRAY, 9.65"
7	1	7306902	RING, GRIP 1.50 OD
8	1	3102804	NUT, NYLOCK
9	2	3239505	WSH, .500 IN-D ST ZN
10	2	3239901	BEARING, 2 HOLE FLANGE, 1" ID
11	2	3223302	3/8-16 X 16 HEX HEAD BOLT
12	1	3239318	1/2-13 X 4.50 UNS HEX FHB G5 ZN
13	2	3237201	M3 X .5 HXS NO CUP ST BO
14	2	6912806	SLEEVE, ACCRDN 1.0 ID X 3

RAMSEY MTSDP DECLINE PRESS

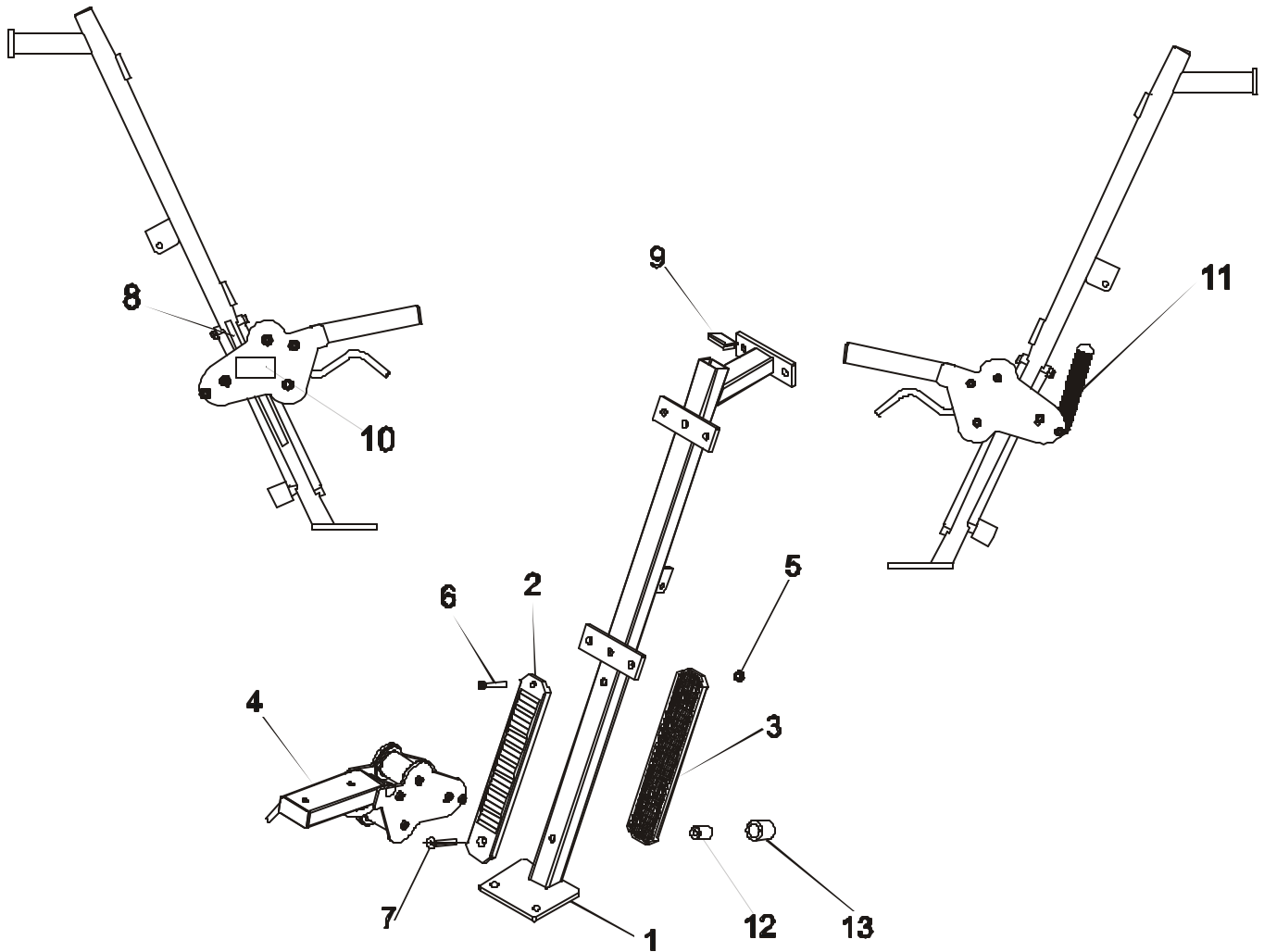
RIGHT SIDE ASSEMBLY



ITEM NO	QTY	PART NO.	DESCRIPTION	ITEM NO	QTY	PART NO.	DESCRIPTION
1	1	7553701	WLDMT, MTDP, RIGHT FRAME	8	1	17477301	CAP_END, 1-1/2 X 2, 11GA SGRY
2	2	7584601	PULLEY, MTS, 3" BELT	9	2	3103301	SHAFT COLLAR, 3/4 I.D. ZINC
3	1	7435595	WLDMT, MTS, BELT ATTACH LH	20	2	3242701	CAP_END, .75 X .50, RD, BLACK
4	10	3239505	WSH, .500 IN-D ST ZN	21	1	17459901	ASSY, MTS, INCREMENT WEIGHT
5	6	3102801	NUT, NYLOCK	22	1	17435101	SHAFT, 3/8" DIA SS, BELT WRAP
6	1	7352001	BUMPER, 2-1/8 X 4-5/8	23	1	17435701	BELT, SPOOLED, W15/16, T.09
7	2	3239314	1/2-13 X 3.50 UNS HEX FHB G5 ZN	24	2	7465102	SHROUD, MTS, SIDE 47.75" SGRY
8	2	3239313	1/2-13 X 3.25 UNS HEX FHB G5 ZN	25	2	7434001	WASHER, MTS, HAMMER HEAD
9	2	7352101	CUSHION, WEIGHT STACK	26	2	3239303	1/2-13 X .75 UNS HEX FHB G5 ZN
10	2	3223809	1/4-20 UNS HEX FHB G5 ZN	27	2	3239315	1/2-13 X 3.75 UNS HEX FHB G5 ZN
11	2	3102806	NUT, NYLOCK 1/4-20 ZN	28	2	7564101	LABEL, MTS, .625 DIA HOLE COVER
12	2	7328601	GUIDE ROD, .75 OD SOLID 48.38	29	1	17435602	PANEL, MTS, PLASTIC 47.75"
13	1	7464701	ASSY, MTS, 50 LB STACK	30	2	0017-00101-1587	SHIELD RIVET
14	4	3239503	WSH, .375 IN-D ST ZN	31	1	17422004	LABEL, 2" ASTM WARN
15	4	3223302	3/8-16 X 13 HEX HEAD BOLT	32	1	3237401	PLUG, 7/16" HOLE
16	1	7435295	PLATE, MTS, BELT CLAMP	33	2	3102507	WASHER, TYPE A PLAIN
17	2	3102807	NUT, NYLOCK 3/8-16 LOW HT				

RAMSEY MTSDP DECLINE PRESS

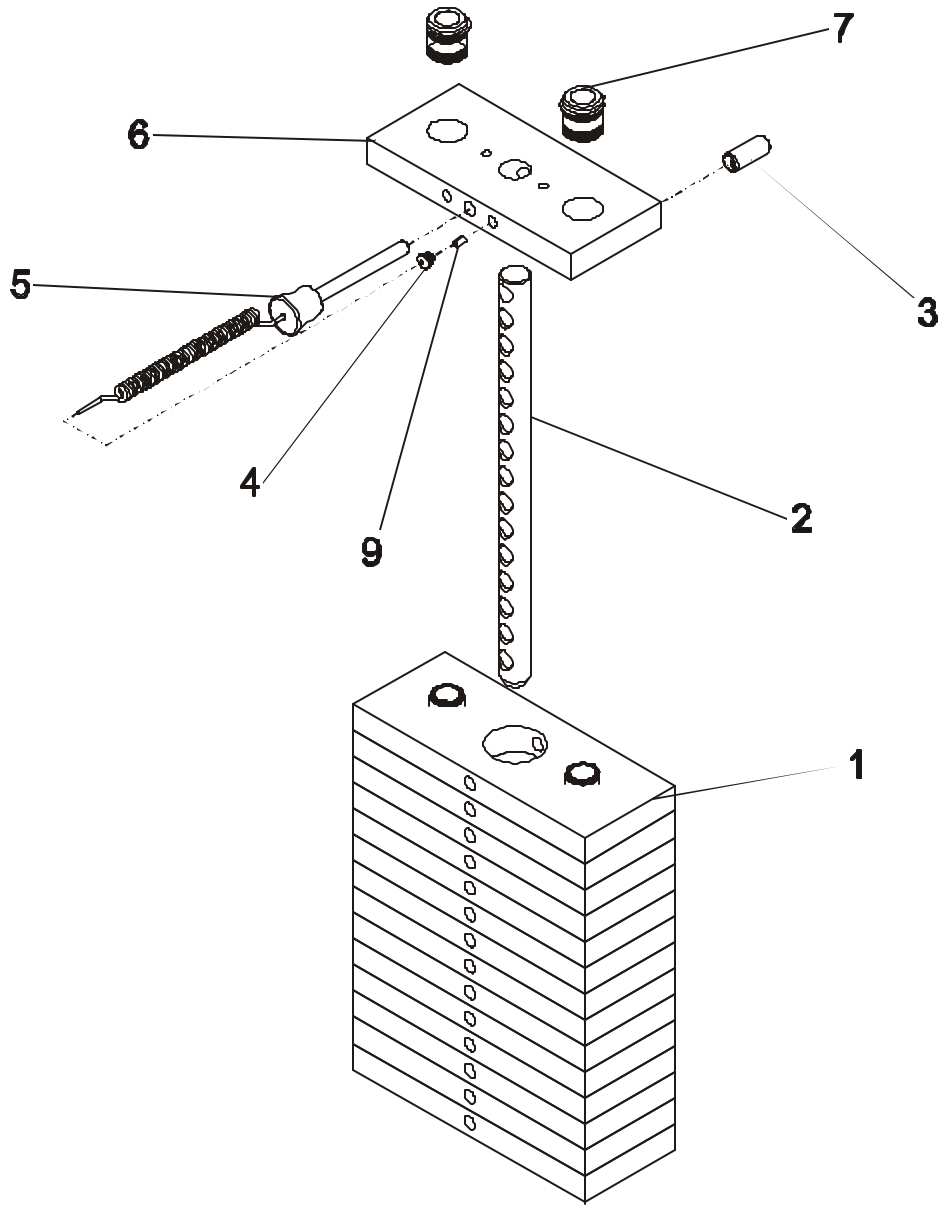
SEAT FRAME ASSEMBLY



ITEM NO.	QTY.	PART NO.	DESCRIPTION
1	1	7552401	WLDMT, MTD, SEAT FRAME
2	1	7564301	SEATRACK, ROLLER SERRATED
3	1	7564401	SEATRACK, FLAT
4	1	7436401	ASSY, MTS, 97 SEAT
5	1	3236801	NUT, M10 HEX NYLOCK SS
6	1	3236211	SCREW, M10 X1.5 70MM
7	1	3238312	M10x1.5x75mm
8	1	7422002	LABEL, SEAT ADJUST
9	1	7477301	CAP, END, 1-1/2 X 2, 11GA SGRY
10	1	7422001	LABEL, SEAT INST
11	1	7442601	SPRING, PRO2 ROLLER SEAT
12	1	7570601	STOP, ROLLER SEAT
13	1	3235802	GRIP, SHADOW GRAY, 1.5"

RAMSEY MTSDP DECLINE PRESS

WEIGHT STACK ASSEMBLY 150 LBS



ITEM NO.	QTY.	PART NO.	DESCRIPTION
1	14	7353701	ASSY, 10 LB PLATE
2	1	7464801	BAYONET, MTS, 15 HOLE
3	1	3236001	BUSHING, SPRING PIN
4	1	7356501	PLUG, LANYARD ATTACHMENT
5	1	7353001	ASSY, SELECTOR PIN
6	1	7434401	HEAD PLATE, MTS
7	2	7338001	BUSHING, HEADPLATE
9	1	7523601	CRIMP, CABLE