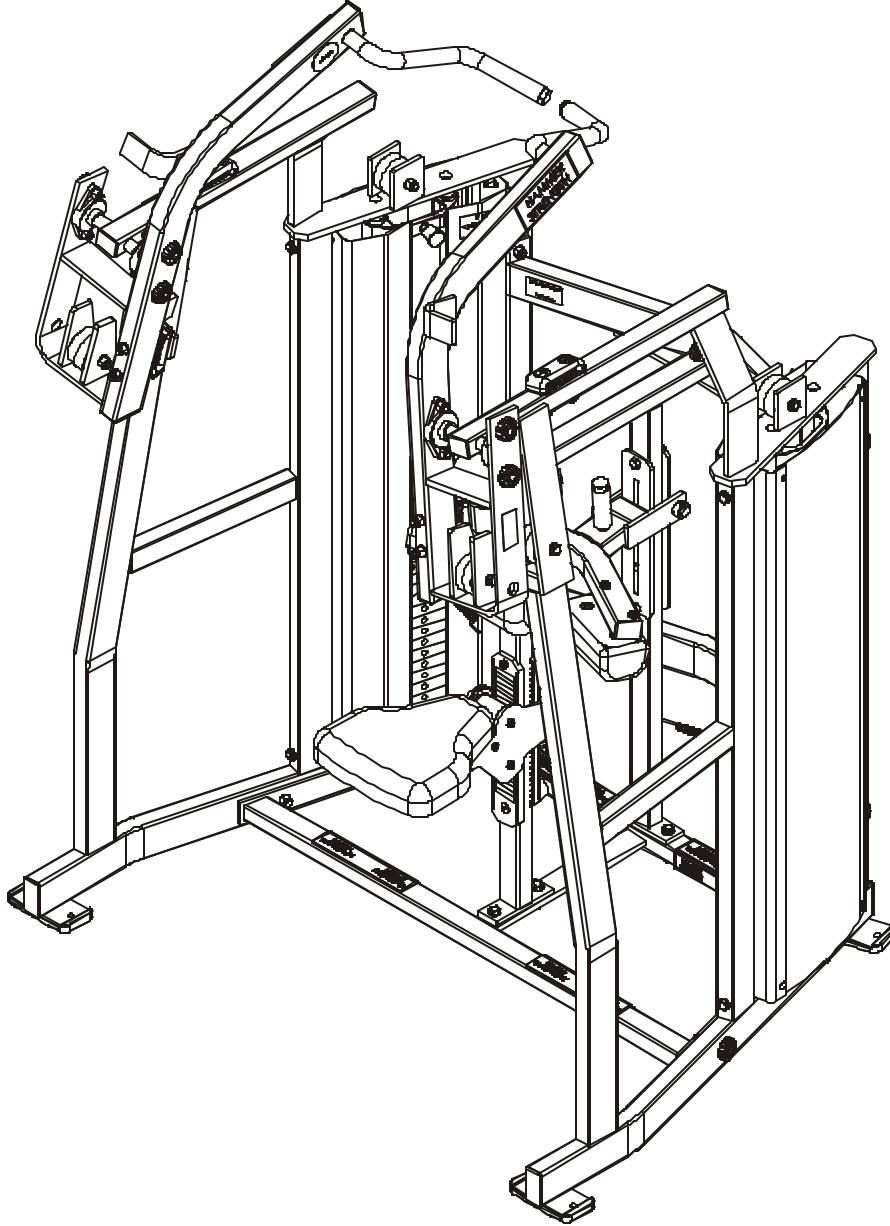


Life Fitness

RAMSEY MTSFP - MOTION TECHNOLOGY SELECTORIZED FRONT PULLDOWN



Customer Support Services PARTS MANUAL

RAMSEY MTSFP FRONT PULLDOWN

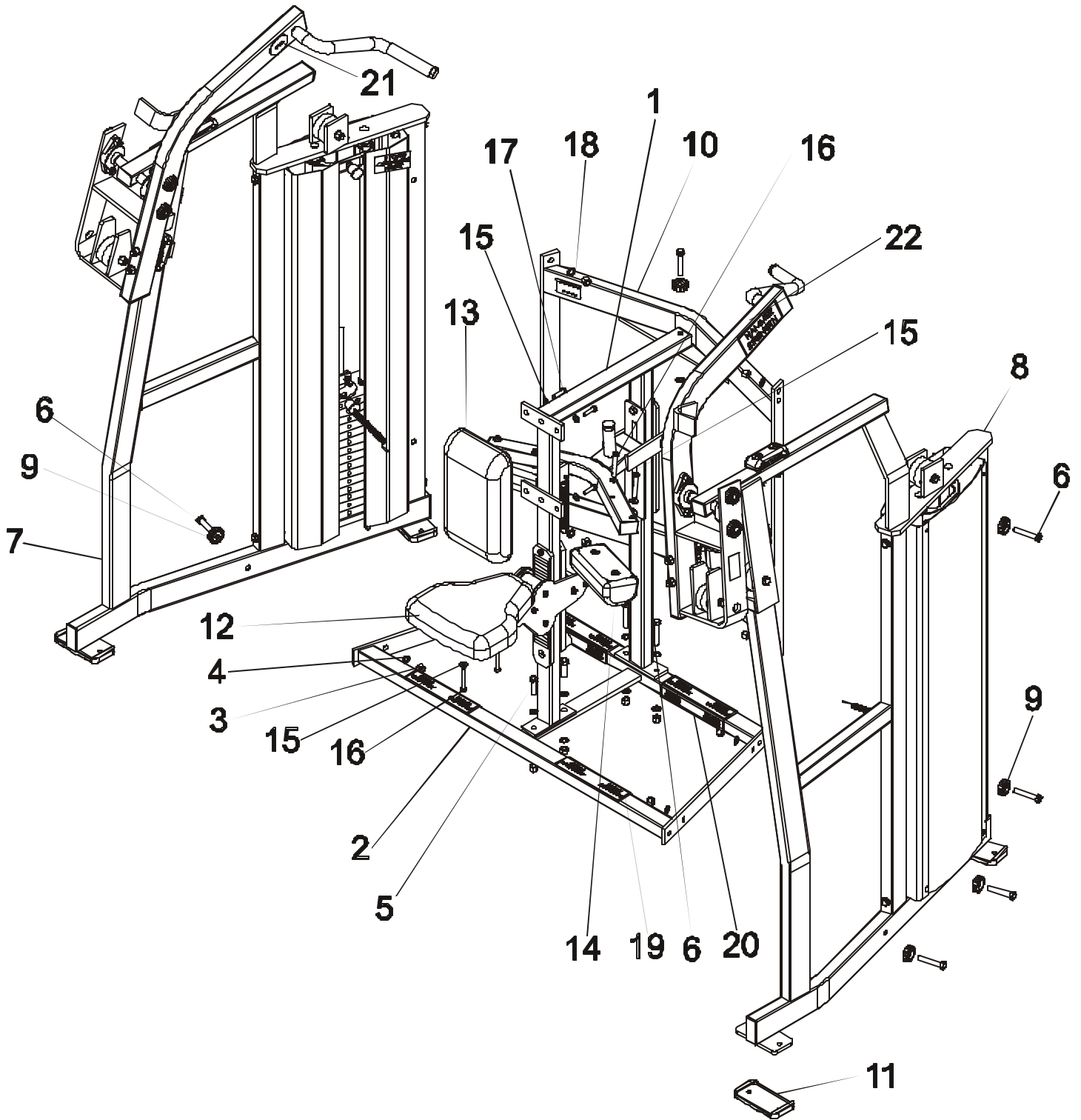
Notes:

RAMSEY MTSFP FRONT PULLDOWN

Contents

	PAGE
COMPONENT ASSEMBLY	4
COMPONENT ASSEMBLY CALLOUTS	5
RIGHT SIDE ASSEMBLY.....	6
RIGHT SIDE ASSEMBLY CALLOUTS.....	7
LEFT SIDE ASSEMBLY.....	8
LEFT SIDE ASSEMBLY CALLOUTS.....	9
SEAT & THIGH ASSEMBLY	10
WEIGHT STACK ASSEMBLY 150 LBS.....	11

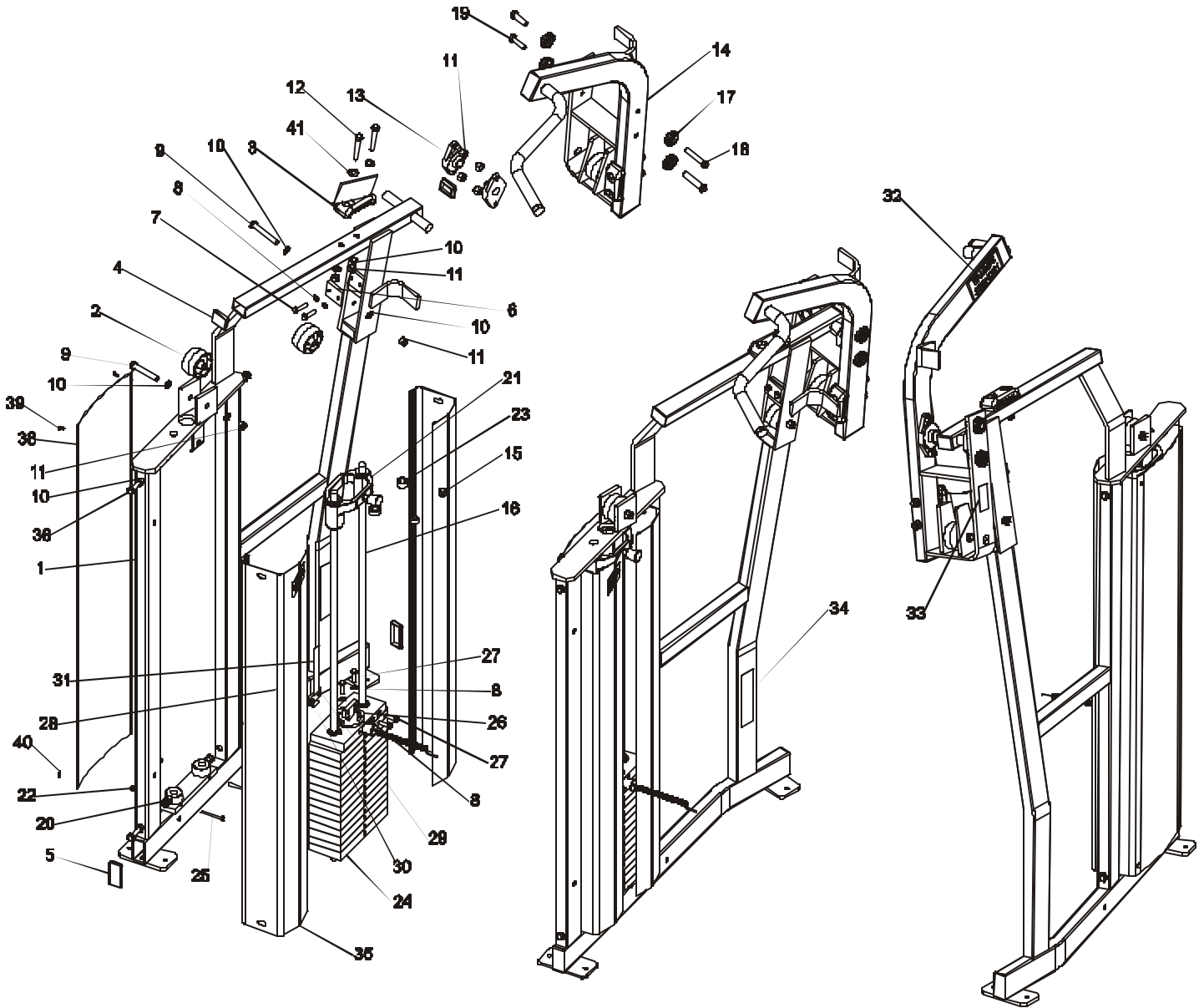
RAMSEY MTSFP FRONT PULLDOWN COMPONENT ASSEMBLY



**RAMSEY MTSFP FRONT PULLDOWN
COMPONENT ASSEMBLY CALLOUTS**

ITEM NO	QTY.	PART NO.	DESCRIPTION
1	1	7471101	ASSY, MTFP, SEAT AND THIGH
2	1	7462801	WLDMT, MTFP, BOTTOM FRAME
3	13	3102801	NUT, NYLOCK
4	17	3239505	WSH, .500 IN-D ST ZN
5	2	3239307	1/2-13 X 1.75 UNS HEX FHB G5 ZN
6	11	3239311	1/2-13 X 2.75 UNS HEX FHB G5 ZN
7	1	7464901	ASSY, MTFP, LEFT SIDE
8	1	7464601	ASSY, MTFP, RIGHT SIDE
9	9	7434001	WASHER, MTS, HAMMER HEAD
10	1	7463301	WLDMT, MTFP, FRONT FRAME
11	4	7388201	Footpad, PS Rubber
12	1	7351901	PAD, SADDLE
13	1	7501001	PAD, 15 X 7-3/4
14	2	7501301	PAD, 8 X 4
15	10	3236601	WASHER, 3/8 SAE SS
16	6	3236210	SCREW, M10 X1.5 65MM
17	4	3236204	SCREW, M10 X1.5 35MM
18	1	M051-00299-A000	HAMMER PATENT DECAL
19	4	0017-00042-1045	1.875 X 9.25 FRAME GUARD
20	4	0017-00042-1044	1.375 X 9.25 FRAME GUARD
21	1	M051-00333-A000	HAND PLACEMENT DECAL (LEFT)
22	1	M051-00334-A000	HAND PLACEMENT DECAL (RIGHT)

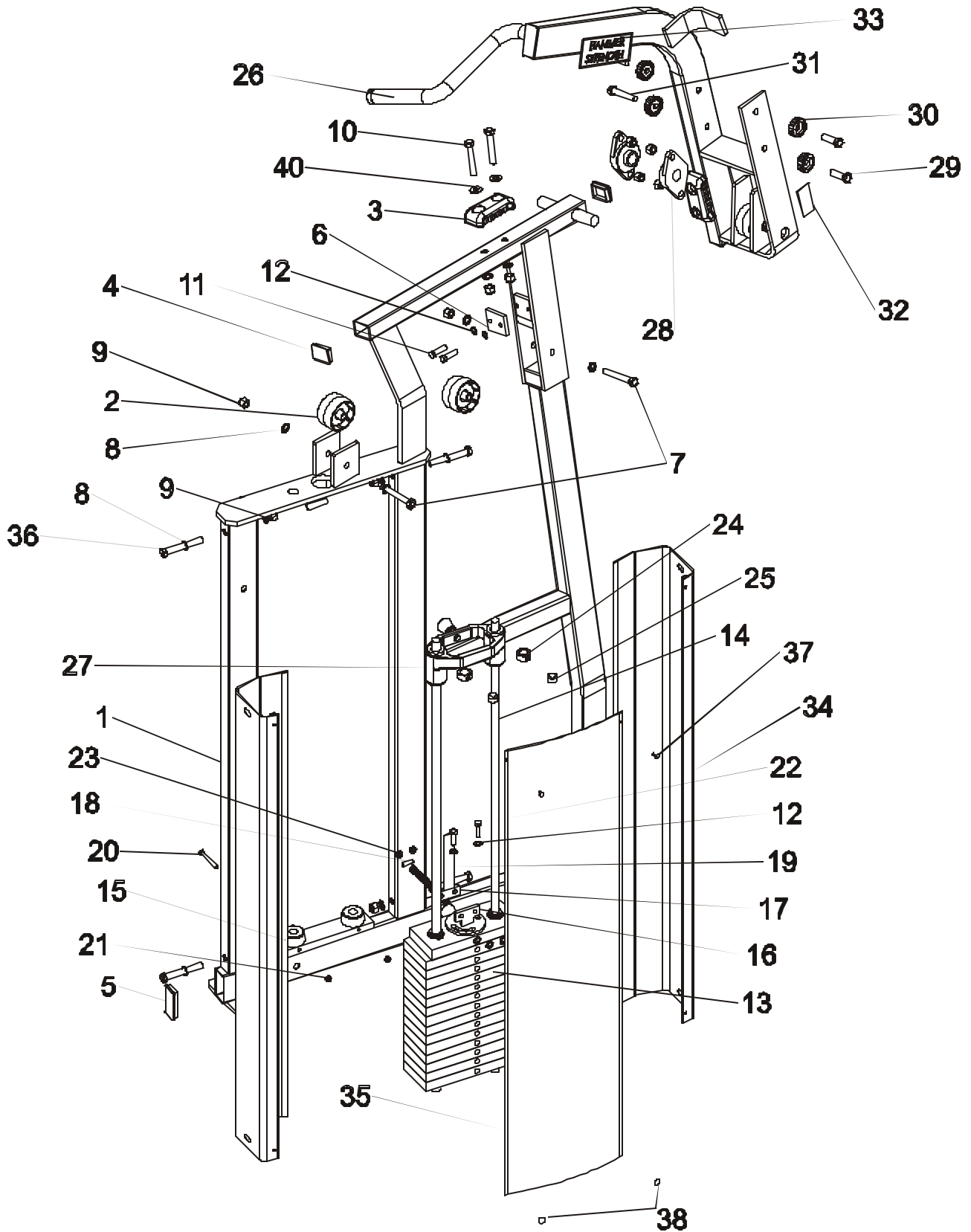
RAMSEY MTSFP FRONT PULLDOWN RIGHT SIDE ASSEMBLY



**RAMSEY MTSFP FRONT PULLDOWN
RIGHT SIDE ASSEMBLY CALLOUTS**

ITEM NO.	QTY.	PART NO.	DESCRIPTION
1	1	7461001	WLDMT, MTFP, RIGHT FRAME
2	2	7594601	PULLEY, MTS, 3" BELT
3	1	7352001	BUMPER, 2-1/8 X 4-5/8
4	2	7477301	CAP, END, 1-1/2 X 2, 11GA SGRY
5	2	7477401	CAP. END, 1-1/2 X 3, 11GA SGRY
6	1	7465095	PLATE, MTS, BELT ATTACH
7	2	3223303	3/8-16 X 16 HEX HEAD BOLT
8	6	3239503	WSH, .375 IN-D ST ZN
9	2	3239314	1/2-13 X 3.50 UNS HEX FHB G5 ZN
10	14	3239505	WSH, .500 IN-D ST ZN
11	12	3102801	NUT, NYLOCK
12	2	3239312	1/2-13 X 3.00 UNS HEX FHB G5 ZN
13	2	3239901	BEARING, 2 HOLE FLANGE, 1" ID
14	1	7471501	ASSY, MTFP, R MOVE ARM
15	2	3242701	CAP, END, .75 X .50. RD, BLACK
16	2	7328601	GUIDE ROD, .75 OD SOLID 48.38
17	4	7434001	WASHER, MTS, HAMMER HEAD
18	2	3239311	1/2-13 X 2.75 UNS HEX FHB G5 ZN
19	2	3239307	1/2-13 X 1.75 UNS HEX FHB G5 ZN
20	2	7352101	CUSHION, WEIGHT STACK
21	1	7459901	ASSY, MTS, INCREMENT WEIGHT
22	2	3102806	NUT, NYLOCK 1/4-20 ZN
23	2	3103301	SHAFT COLLAR, 3/4 I.D. ZINC
24	1	7464701	ASSY, MTS, 150 LB STACK
25	2	3223809	1/4-20 UNS HEX FHB G5 ZN
26	1	7434895	WLDMT, MTS, BELT ATTACH
27	4	3223302	3/8-16 X 16 HEX HEAD BOLT
28	2	3102807	NUT, NYLOCK 3/8-16 LOW HT
29	1	7435295	PLATE, MTS, BELT CLAMP
30	1	7435101	SHAFT, 3/8" DIA SS, BELT WRAP
31	1	7435701	BELT, SPOOLED, W15/16, T.09
32	1	M051-00289-A000	HAMMER STRENGTH NAME PLATE
33	1	7422003	LABEL, MOVING PARTS
34	1	7422004	LABEL, 2" ASTM WARN
35	2	7465102	SHROUD, MTS, SIDE 47.75" SGRY
36	4	3239315	1/2-13 X 3.75 UNS HEX FHB G5 ZN
37	1	M051-00297-A000	INCREMENT WT. DECAL (RIGHT)
38	1	7435602	PANEL, MTS, PLASTIC 47.75"
39	2	0017-00101-1587	SHIELD RIVET
40	2	7564101	LABEL, MTS, .625 DIA HOLE COVER
41	2	3102507	WASHER, TYPE A PLAIN

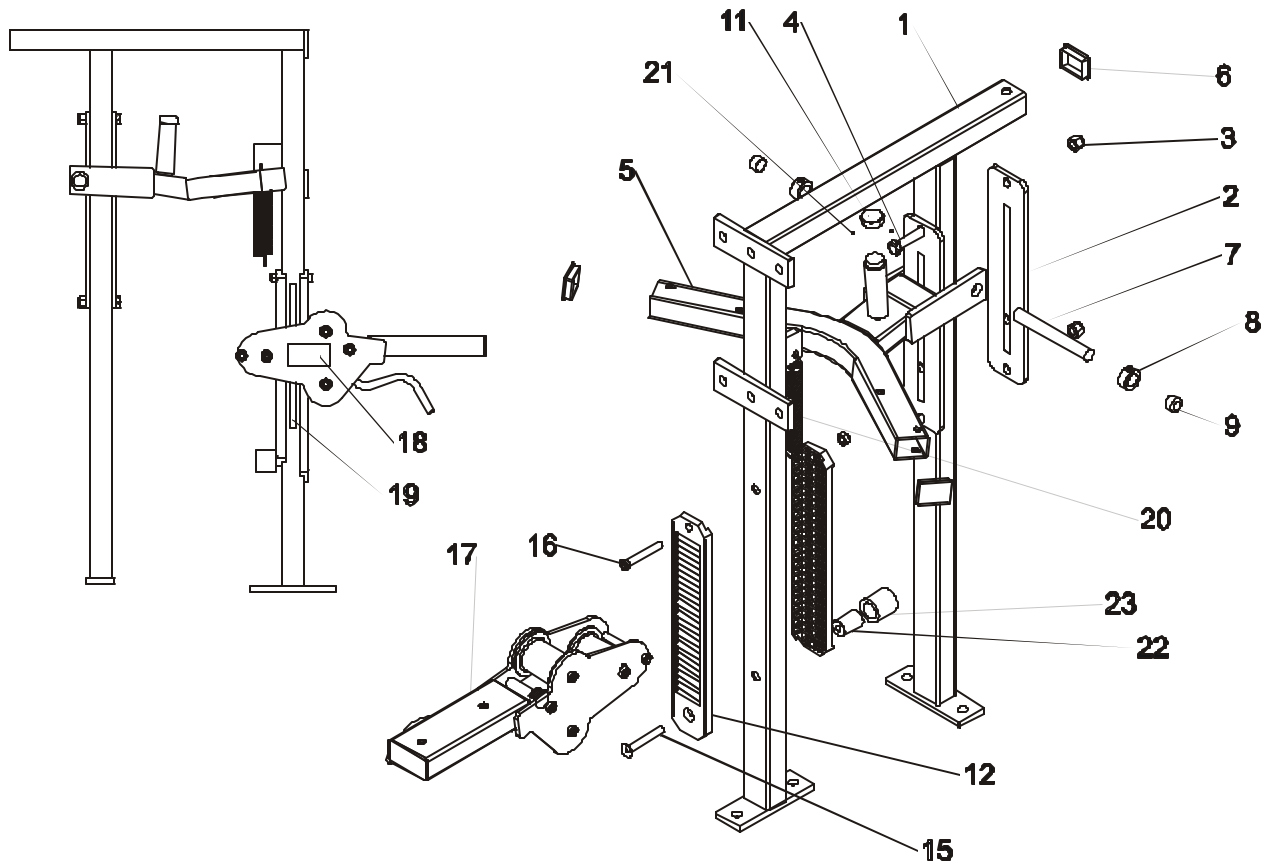
RAMSEY MTSFP FRONT PULLDOWN LEFT SIDE ASSEMBLY



RAMSEY MTSFP FRONT PULLDOWN LEFT SIDE ASSEMBLY CALLOUTS

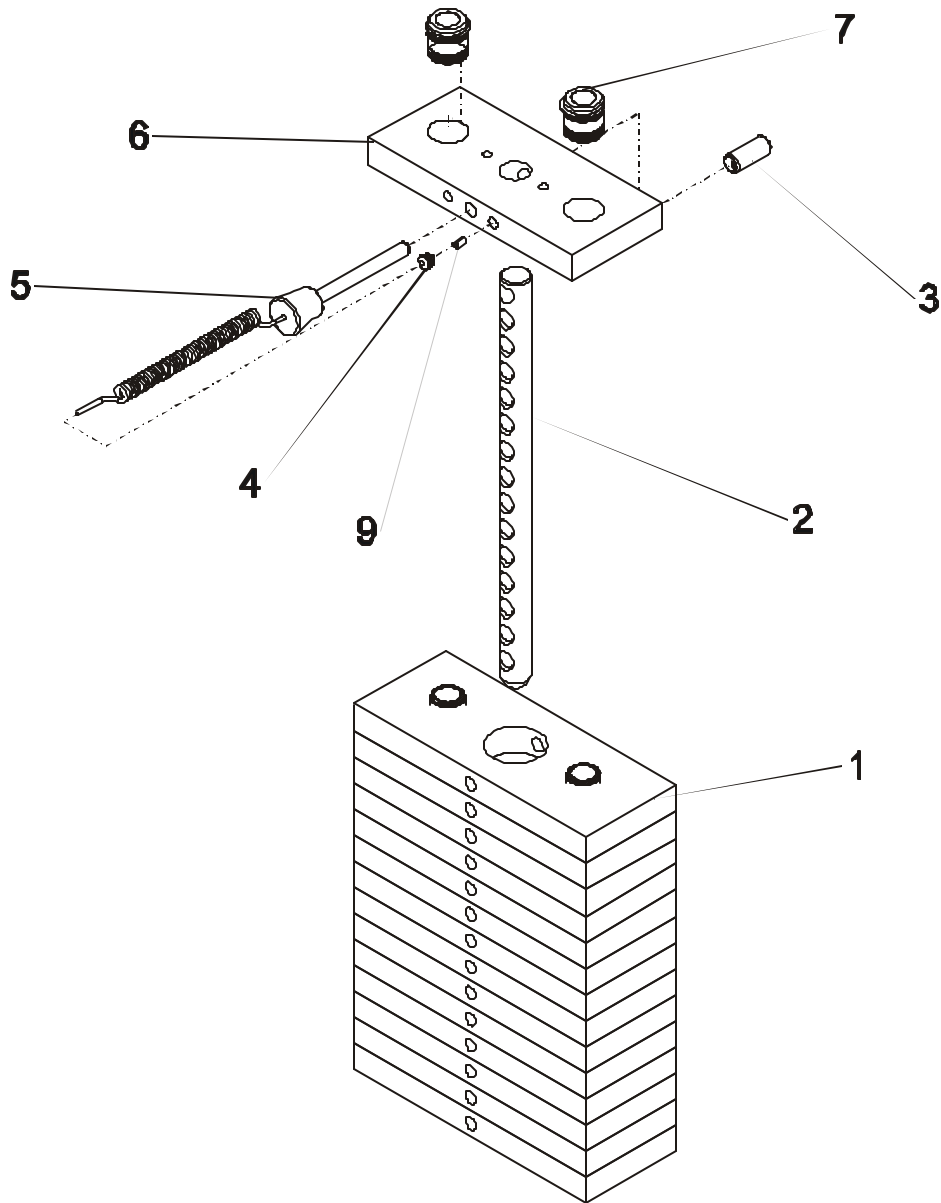
ITEM NO.	QTY.	PART NO.	DESCRIPTION
1	1	7462701	WLDMT, MTFP, LEFT FRAME
2	2	7594601	PULLEY, MTS, 3" BELT
3	1	7352001	BUMPER, 2-1/8 X 4-5/8
4	2	7477301	CAP, END, 1-1/2 X 2, 11GA SGRY
5	2	7477401	CAP, END, 1-1/2 X 3, 11GA SGRY
6	1	7465095	PLATE, MTS, BELT ATTACH
7	2	3239314	1/2-13 X 3.50 UNS HEX FHB G5 ZN
8	14	3239505	WSH, .500 IN-D ST ZN
9	12	3102801	NUT, NYLOCK
10	2	3239312	1/2-13 X 3.00 UNS HEX FHB G5 ZN
11	2	3223303	3/8-16 X 16 HEX HEAD BOLT
12	6	3239503	WSH, .375 IN-D ST ZN
13	1	7464701	ASSY, MTS, 150 LB STACK
14	2	7328601	GUIDE ROD, .75 OD SOLID 48.38
15	2	7352101	CUSHION, WEIGHT STACK
16	1	7436595	WLDMT, MTS, BELT ATTACH LH
17	1	7435295	PLATE, MTS, BELT CLAMP
18	1	7435101	SHAFT, 3/8" DIA SS, BELT WRAP
19	1	7435701	BELT, SPOOLED, W15/16, T.09
20	2	3223809	1/4-20 UNS HEX FHB G5 ZN
21	2	3102806	NUT, NYLOCK 1/4-20 ZN
22	4	3223302	3/8-16 X 16 HEX HEAD BOLT
23	2	3102807	NUT, NYLOCK 3/8-16 LOW HT
24	2	3103301	SHAFT COLLAR, 3/4 I.D. ZINC
25	2	3242701	CAP, END, .75 X .50. RD, BLACK
26	1	7471401	ASSY, MTFP, L MOVE ARM
27	1	7459901	ASSY, MTS, INCREMENT WEIGHT
28	2	3239901	BEARING, 2 HOLE FLANGE, 1" ID
29	2	3239307	1/2-13 X 1.75 UNS HEX FHB G5 ZN
30	4	7434001	WASHER, MTS, HAMMER HEAD
31	2	3239311	1/2-13 X 2.75 UNS HEX FHB G5 ZN
32	1	7422003	LABEL, MOVING PARTS
33	1	M051-00289-A000	HAMMER STRENGTH NAME PLATE
34	2	7465102	SHROUD, MTS, SIDE 47.75" SGRY
35	1	7435602	PANEL, MTS, PLASTIC 47.75"
36	4	3239315	1/2-13 X 3.75 UNS HEX FHB G5 ZN
37	2	0017-00101-1587	SHIELD RIVET
38	2	7564101	LABEL, MTS, .625 DIA HOLE COVER
39	1	M051-00298-A000	INCREMENT WT. DECAL (LEFT)
40	2	3102507	WASHER, TYPE A PLAIN

RAMSEY MTSFP FRONT PULLDOWN SEAT & THIGH ASSEMBLY



ITEM NO.	QTY.	PART NO.	DESCRIPTION
1	1	7459701	WLDMT, MTFP, SEAT FRAME
2	2	7465301	SEATTRACK, MTS, HAMMER
3	2	3102801	NUT, NYLOCK
4	2	3239311	1/2-13 X 2.75 UNS HEX FHB G5 ZN
5	1	7463701	WLDMT, MTS, THIGH HOLD DOWN
6	3	7477301	CAP, END, 1-1/2 X 2, 11GA SGRY
7	1	7465201	SHAFT, MTS, .75" DIA X 5.75
8	2	3103301	SHAFT COLLAR, 3/4 I.D. ZINC
9	2	3242701	CAP, END, .75 X .50. RD, BLACK
10	1	3235801	GRIP, SHADOW GRAY, 3.5"
11	1	7306901	CAP, GRIP 1.25 OD
12	1	7564301	SEATTRACK, ROLLER SERRATED
13	1	7564401	SEATTRACK, FLAT
14	1	3236801	NUT, M10 HEX NYLOCK SS
15	1	3238312	M10x1.5x75mm
16	1	3236211	SCREW, M10 X1.5 70MM
17	1	7464301	ASSY, MTS, 83 SEAT
18	1	7422001	LABEL, SEAT INST
19	1	7422002	LABEL, SEAT ADJUST
20	1	7442601	SPRING, PRO2 ROLLER SEAT
21	2	3237201	M3 X .5 HXS NO CUP ST BO
22	1	7570601	STOP, ROLLER SEAT
23	1	3235802	GRIP, SHADOW GRAY, 1.5"

RAMSEY MTSFP FRONT PULLDOWN WEIGHT STACK ASSEMBLY 150 LBS



ITEM NO.	QTY.	PART NO.	DESCRIPTION
1	14	7353701	ASSY, 10 LB PLATE
2	1	7464801	BAYONET, MTS, 15 HOLE
3	1	3236001	BUSHING, SPRING PIN
4	1	7356501	PLUG, LANYARD ATTACHMENT
5	1	7353001	ASSY, SELECTOR PIN
6	1	7434401	HEAD PLATE, MTS
7	2	7338001	BUSHING, HEADPLATE
9	1	7523601	CRIMP, CABLE