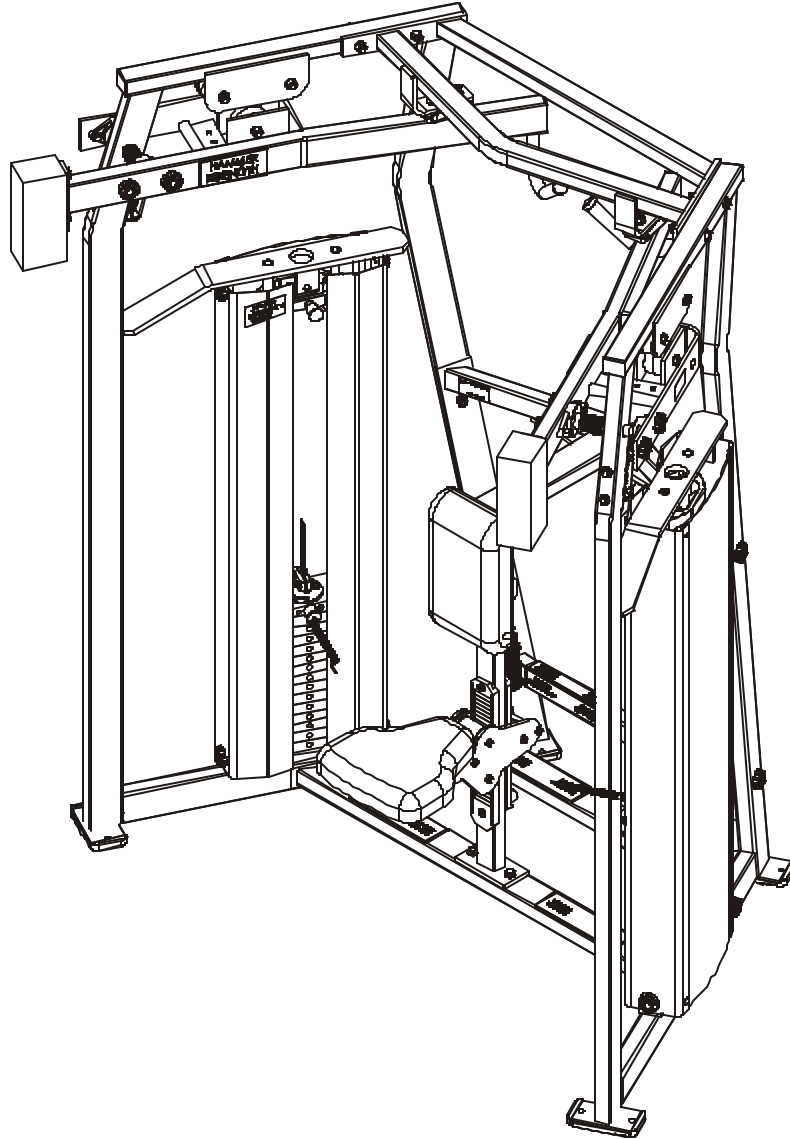


Life Fitness

**RAMSEY MTSHR - MOTION TECHNOLOGY SELECTORIZED
HIGH ROW**



**Customer Support Services
PARTS MANUAL**

RAMSEY MTSHR HIGH ROW

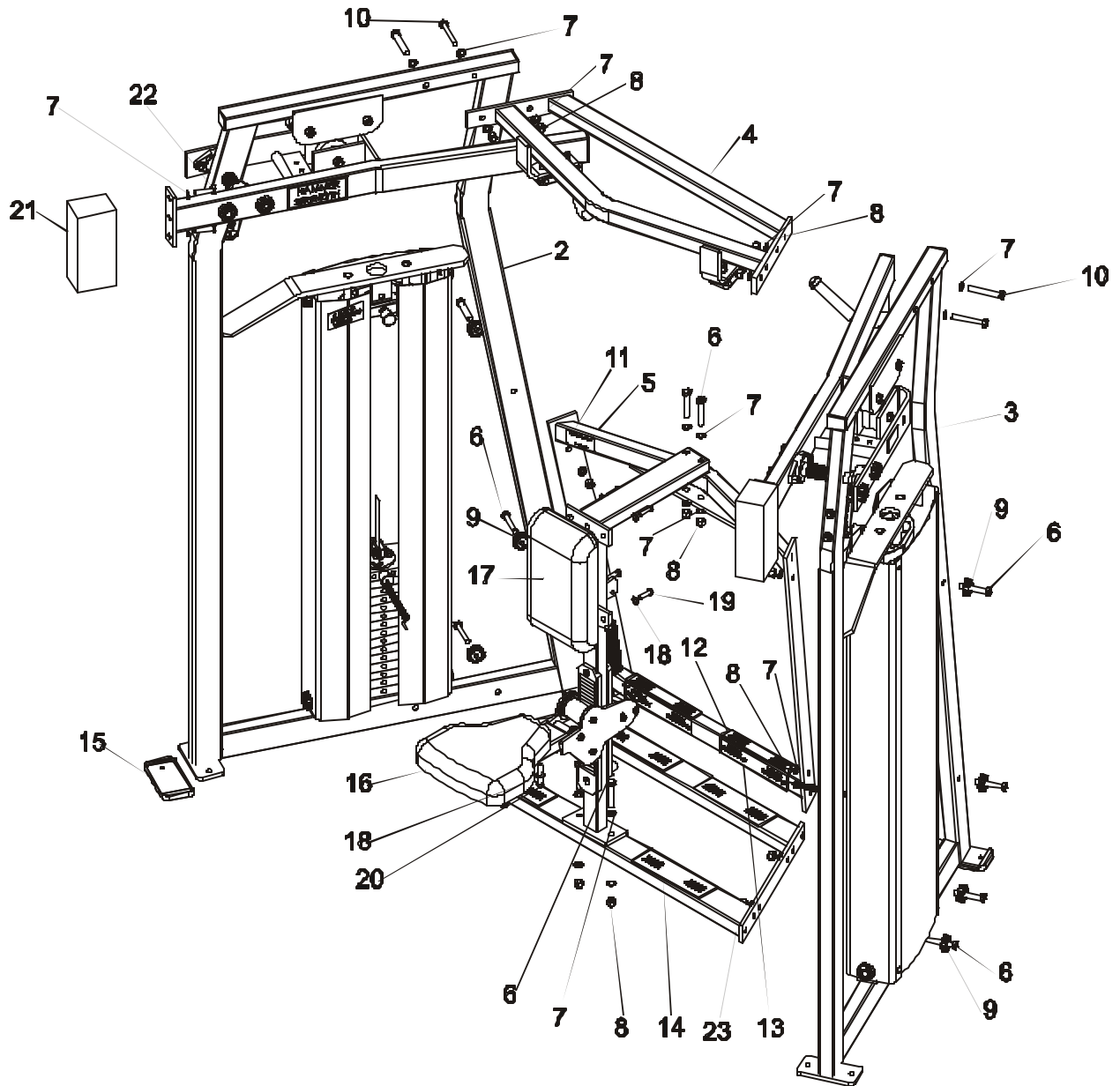
Notes:

RAMSEY MTSHR HIGH ROW

Contents

	PAGE
COMPONENT ASSEMBLY	4
LEFT SIDE ASSEMBLY	5
LEFT SIDE ASSEMBLY CALLOUTS	6
RIGHT SIDE ASSEMBLY	7
RIGHT SIDE ASSEMBLY CALLOUTS	8
TOP ASSEMBLY	9
SEAT FRAME ASSEMBLY	10

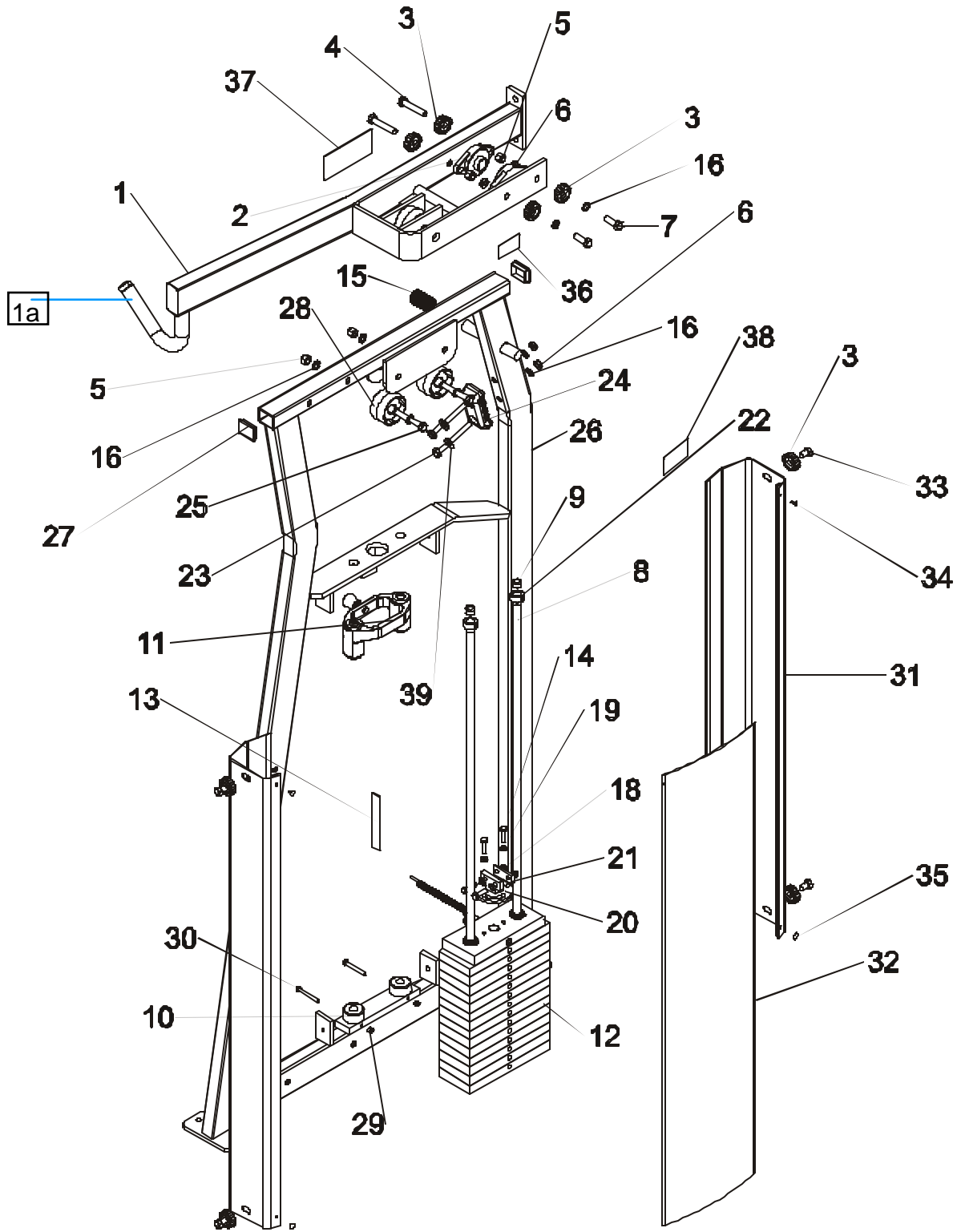
RAMSEY MTSHR HIGH ROW COMPONENT ASSEMBLY



ITEM NO.	QTY.	PART NO.	DESCRIPTION	ITEM NO.	QTY.	PART NO.	DESCRIPTION
1	1	7477701	ASSY, MTHR, CENTER	13	2	0017-00042-1045	1.875 X 9.25 FRAME GUARD
2	1	7477801	ASSY, MTHR, LEFT SIDE	14	4	0017-00042-1046	2.75 X 9.25 FRAME GUARD
3	1	7478201	ASSY, MTHR, RIGHT SIDE	15	4	7388201	Footpad, PS Rubber
4	1	7478401	ASSY, MTHR, TOP	16	1	7351901	PAD, SADDLE
5	1	7471601	WLDMT, MTHR, FRONT FRAME	17	1	7501001	PAD, 15 X 7-3/4
6	12	3239311	1/2-13 X 2.75 UNS HEX FHB G5 ZN	18	6	3236601	WASHER, 3/8 SAE SS
7	28	3239505	WSH, .500 IN-D ST ZN	19	4	3236204	SCREW, M10 X1.5 35MM
8	16	3102801	NUT, NYLOCK	20	2	3236209	SCREW, M10 X1.5 60MM
9	8	7434001	WASHER, MTS. HAMMER HEAD	21	2	7477901	COUNTERWEIGHT, MTS, DIPPED
10	4	3239313	1/2-13 X 3.25 UNS HEX FHB G5 ZN	22	4	3239307	1/2-13 X 1.75 UNS HEX FHB G5 ZN
11	1	M051-00299-A000	HAMMER PATENT DECAL	23	1	7473901	WLDMT, MTHR, BOTTOM FRAME
12	2	0017-00042-1044	1.375 X 9.25 FRAME GUARD				

RAMSEY MTSHR HIGH ROW

LEFT SIDE ASSEMBLY

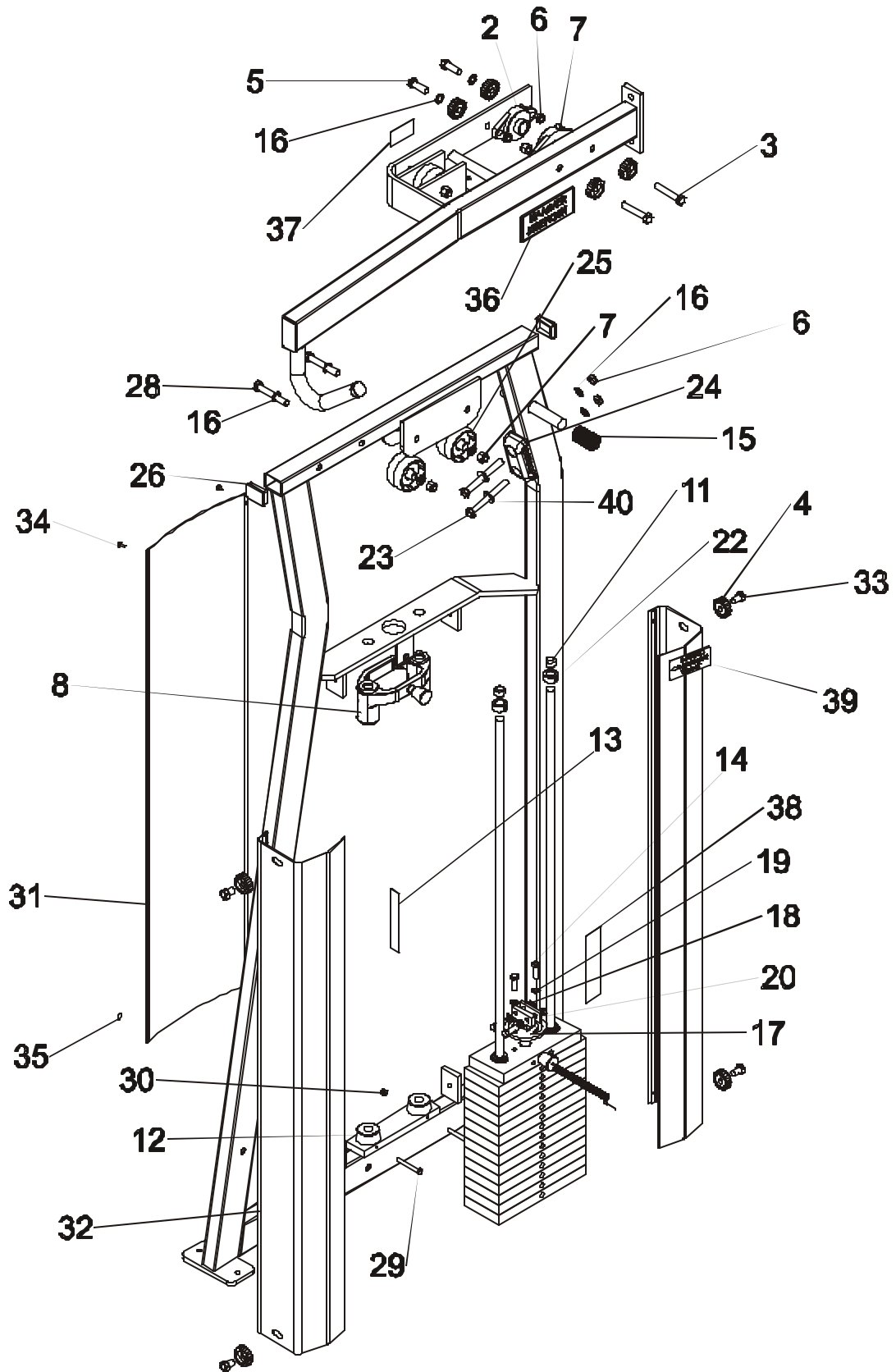


RAMSEY MTSR HIGH ROW
LEFT SIDE ASSEMBLY CALLOUTS

ITEM NO.	QTY	PART NO.	DESCRIPTION
1	1	7478101	MTHR, LEFT ARM -1a grip-3235801
2	2	3239901	BEARING, 2 HOLE FLANGE, 1" ID
3	8	7434001	WASHER, MTS, HAMMER HEAD
4	2	3239311	1/2-13 X 2.75 UNS HEX FHB G5 ZN
5	4	3102801	NUT, NYLOCK
6	4	3102804	NUT, NYLOCK
7	2	3239306	1/2-13 X 1.50 UNS HEX FHB G5 ZN
8	2	7328609	GUIDE ROD, .75 OD SOLID 50.88
9	2	3242701	CAP, END, .75 X .50. RD, BLACK
10	2	7352101	CUSHION, WEIGHT STACK
11	1	7459901	ASSY, MTS, INCREMENT WEIGHT
12	1	7464701	ASSY, MTS, 150 LB STACK
13	1	7435701	BELT, SPOOLED, W15/16, T.09
14	4	3223302	3/8-16 X 16 HEX HEAD BOLT
15	1	6912804	SLEEVE, ACCRDN 1.0 ID X 2
16	8	3239505	WSH, .500 IN-D ST ZN
17	1	7435101	SHAFT, 3/8" DIA SS, BELT WRAP
18	2	3102807	NUT, NYLOCK 3/8-16 LOW HT
19	4	3239503	WSH, .375 IN-D ST ZN
20	1	7434895	WLDMT, MTS, BELT ATTACH
21	1	7435295	PLATE, MTS, BELT CLAMP
22	2	3103301	SHAFT COLLAR, 3/4 I.D. ZINC
23	2	3239317	1/2-13 X 4.25 UNS HEX FHB G5 ZN
24	1	7352001	BUMPER, 2-1/8 X 4-5/8
25	2	3239313	1/2-13 X 3.25 UNS HEX FHB G5 ZN
26	1	7472101	WLDMT, MTHR, L SIDE FRAME
27	2	7477301	CAP, END, 1-1/2 X 2, 11GA SGRY
28	2	7594601	PULLEY, MTS, 3" BELT
29	2	3102806	NUT, NYLOCK 1/4-20 ZN
30	2	3223809	1/4-20 UNS HEX FHB G5 ZN
31	2	7465103	SHROUD, MTS, SIDE 50.23" SGRY
32	1	7435603	PANEL, MTS, PLASTIC 50.23"
33	4	3239303	1/2-13 X .75 UNS HEX FHB G5 ZN
34	2	0017-00101-1587	SHIELD RIVET
35	2	7564101	LABEL, MTS, .625 DIA HOLE COVER
36	1	7422003	LABEL, MOVING PARTS
37	1	M051-00289-A000	HAMMER STRENGTH NAME PLATE
38	1	M051-00297-A000	INCREMENT WT. DECAL (RIGHT)
39	2	3102507	WASHER, TYPE A PLAIN

RAMSEY MTSHR HIGH ROW

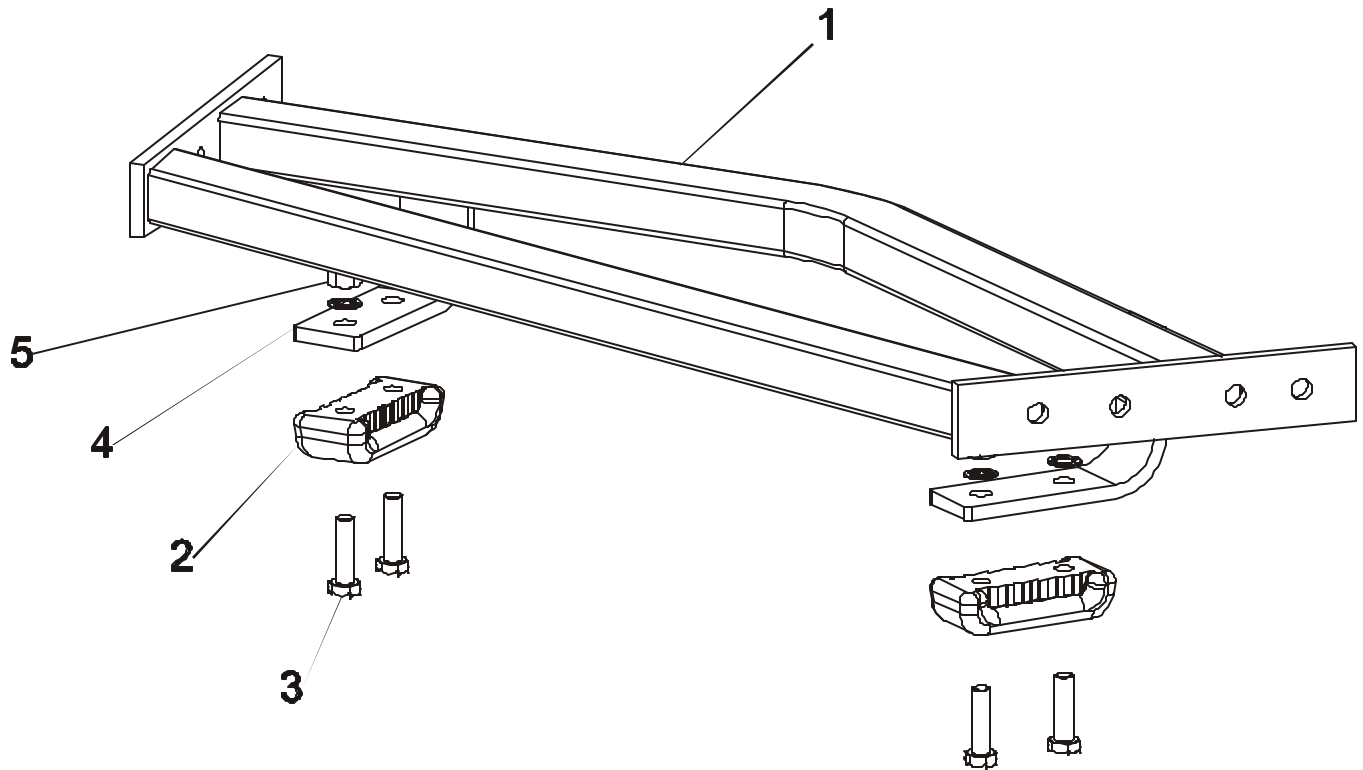
RIGHT SIDE ASSEMBLY



RAMSEY MTSR HIGH ROW
RIGHT SIDE ASSEMBLY CALLOUTS

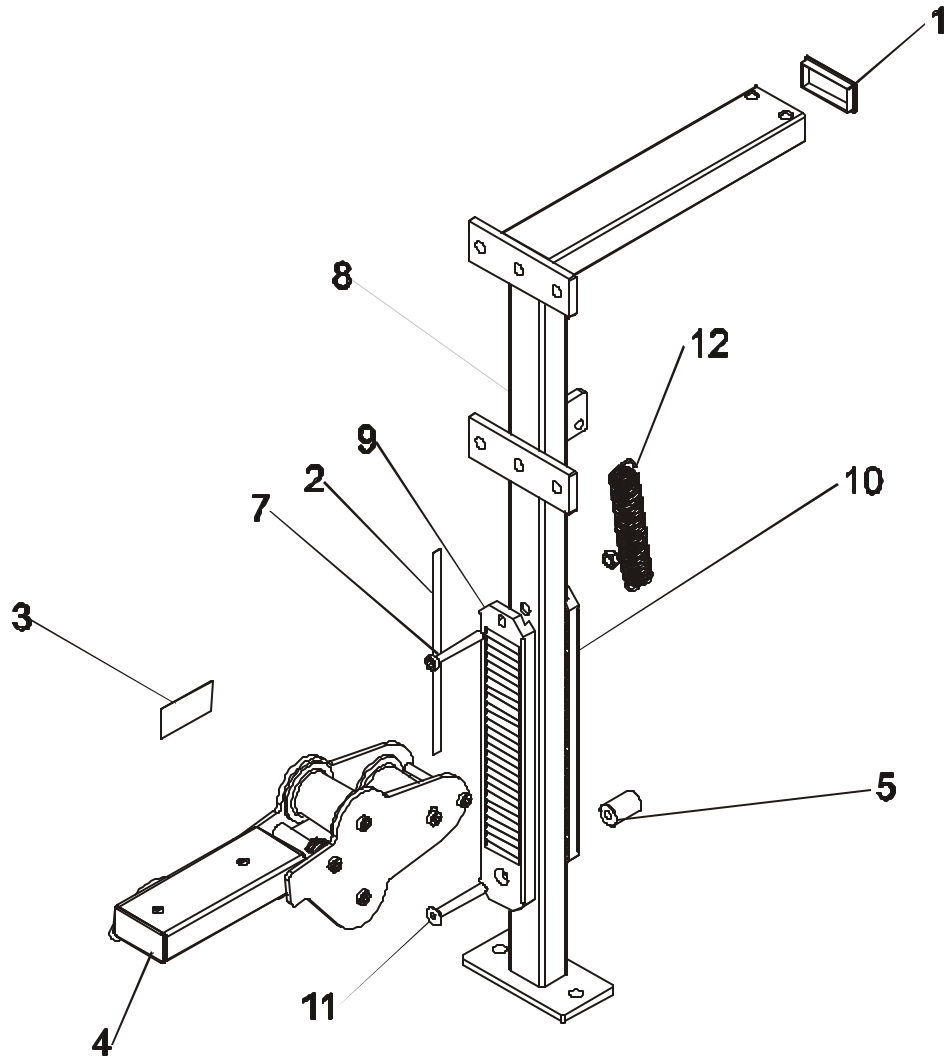
ITEM NO.	QTY.	PART NO.	DESCRIPTION
1	1	7478301	ASSY, MTHR, RIGHT ARM
2	2	3239901	BEARING, 2 HOLE FLANGE, 1" ID
3	2	3239311	1/2-13 X 2.75 UNS HEX FHB G5 ZN
4	8	7434001	WASHER, MTS, HAMMER HEAD
5	2	3239306	1/2-13 X 1.50 UNS HEX FHB G5 ZN
6	4	3102804	NUT, NYLOCK
7	4	3102801	NUT, NYLOCK
8	1	7459901	ASSY, MTS, INCREMENT WEIGHT
9	1	7464701	ASSY, MTS, 150 LB STACK
10	2	7328609	GUIDE ROD, .75 OD SOLID 50.88
11	2	3242701	CAP, END, .75 X .50. RD, BLACK
12	2	7352101	CUSHION, WEIGHT STACK
13	1	7435701	BELT, SPOOLED, W15/16, T.09
14	4	3223302	3/8-16 X 16 HEX HEAD BOLT
15	1	6912804	SLEEVE, ACCRDN 1.0 ID X 2
16	8	3239505	WSH, .500 IN-D ST ZN
17	1	7436595	WLDMT, MTS, BELT ATTACH LH
18	2	3102807	NUT, NYLOCK 3/8-16 LOW HT
19	4	3239503	WSH, .375 IN-D ST ZN
20	1	7435295	PLATE, MTS, BELT CLAMP
21	1	7435101	SHAFT, 3/8" DIA SS, BELT WRAP
22	2	3103301	SHAFT COLLAR, 3/4 I.D. ZINC
23	2	3239317	1/2-13 X 4.25 UNS HEX FHB G5 ZN
24	1	7352001	BUMPER, 2-1/8 X 4-5/8
25	2	7594601	PULLEY, MTS, 3" BELT
26	2	7477301	CAP, END, 1-1/2 X 2, 11GA SGRY
27	1	7472901	WLDMT, MTHR, R SIDE FRAME
28	2	3239313	1/2-13 X 3.25 UNS HEX FHB G5 ZN
29	2	3223809	1/4-20 UNS HEX FHB G5 ZN
30	2	3102806	NUT, NYLOCK 1/4-20 ZN
31	1	7435603	PANEL, MTS, PLASTIC 50.23"
32	2	7465103	SHROUD, MTS, SIDE 50.23" SGRY
33	4	3239303	1/2-13 X .75 UNS HEX FHB G5 ZN
34	2	0017-00101-1587	SHIELD RIVET
35	2	7564101	LABEL, MTS, .625 DIA HOLE COVER
36	1	M051-00289-A000	HAMMER STRENGTH NAME PLATE
37	1	7422003	LABEL, MOVING PARTS
38	1	7422004	LABEL, 2" ASTM WARN
39	1	M051-00298-A000	INCREMENT WT. DECAL (LEFT)
40	2	3102507	WASHER, TYPE A PLAIN

RAMSEY MTSHR HIGH ROW TOP ASSEMBLY



ITEM NO.	QTY.	PART NO.	DESCRIPTION
1	1	7476801	WLDMT, MTHR, TOP FRAME
2	2	7352001	BUMPER, 2-1/8 X 4-5/8
3	4	3239307	1/2-13 X 1.75 UNS HEX FHB G5 ZN
4	4	3239505	WSH, .500 IN-D ST ZN
5	4	3102801	NUT, NYLOCK

RAMSEY MTSHR HIGH ROW SEAT FRAME ASSEMBLY



ITEM NO.	QTY.	PART NO.	DESCRIPTION
1	1	7477401	CAP. END, 1-1/2 X 3, 11GA SGRY
2	1	7422002	LABEL, SEAT ADJUST
3	1	7422001	LABEL, SEAT INST
4	1	7464301	ASSY, MTS, 83 SEAT
5	1	7570601	STOP, ROLLER SEAT
6	1	3236801	NUT, M10 HEX NYLOCK SS
7	1	3236211	SCREW, M10 X1.5 70MM
8	1	7476501	WLDMT, MTHR, SEAT FRAME
9	1	7564301	SEATRACK, ROLLER SERRATED
10	1	7564401	SEATRACK, FLAT
11	1	3238312	M10x1.5x75mm
12	1	7442601	SPRING, PRO2 ROLLER SEAT