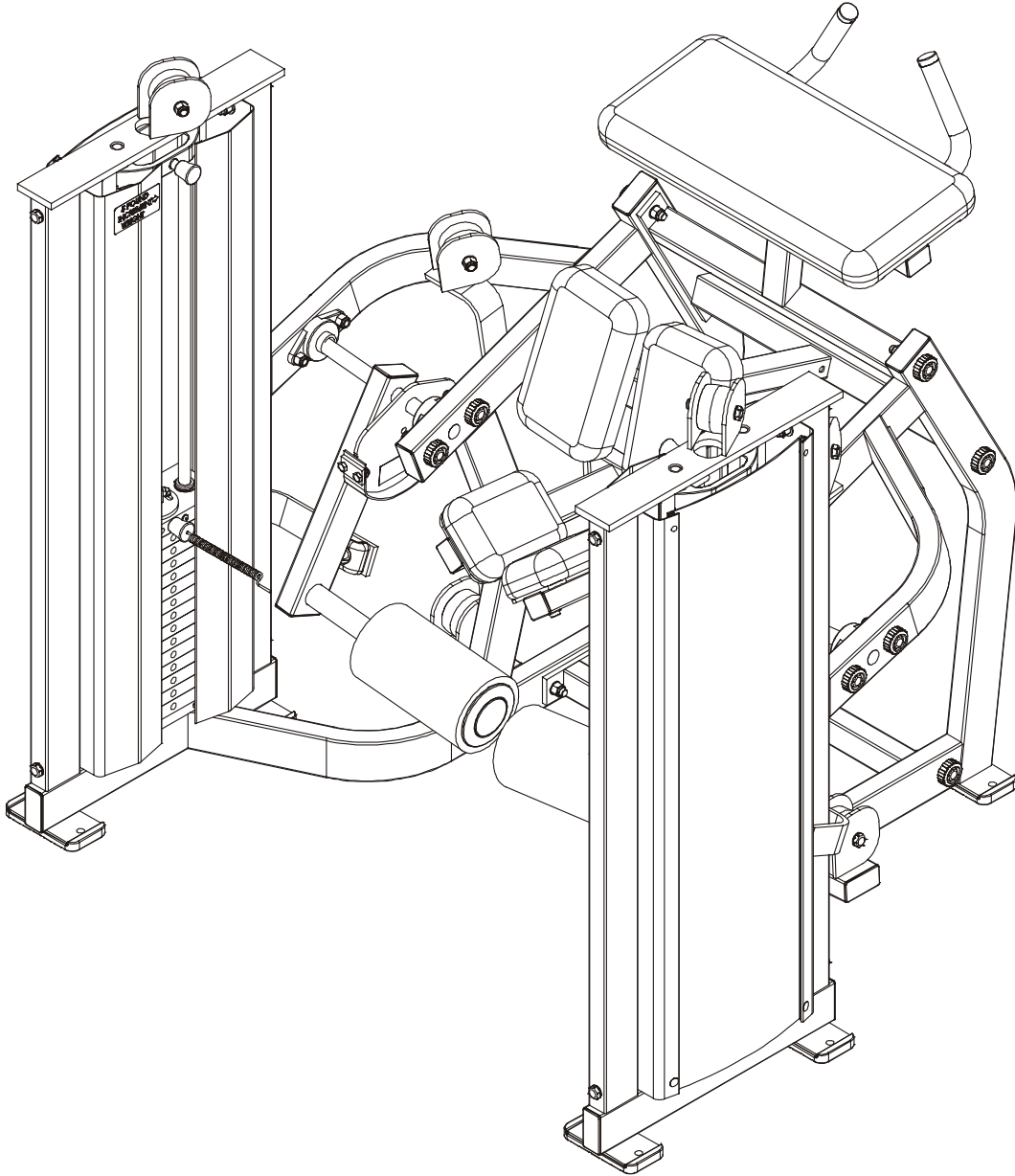


# *LifeFitness*

## RAMSEY MTSKC - MOTION TECHNOLOGY SELECTORIZED KNEELING LEG CURL



## Customer Support Services ***PARTS MANUAL***

# RAMSEY MTSKC KNEELING LEG CURL

Notes:

---

# RAMSEY MTSKC KNEELING LEG CURL

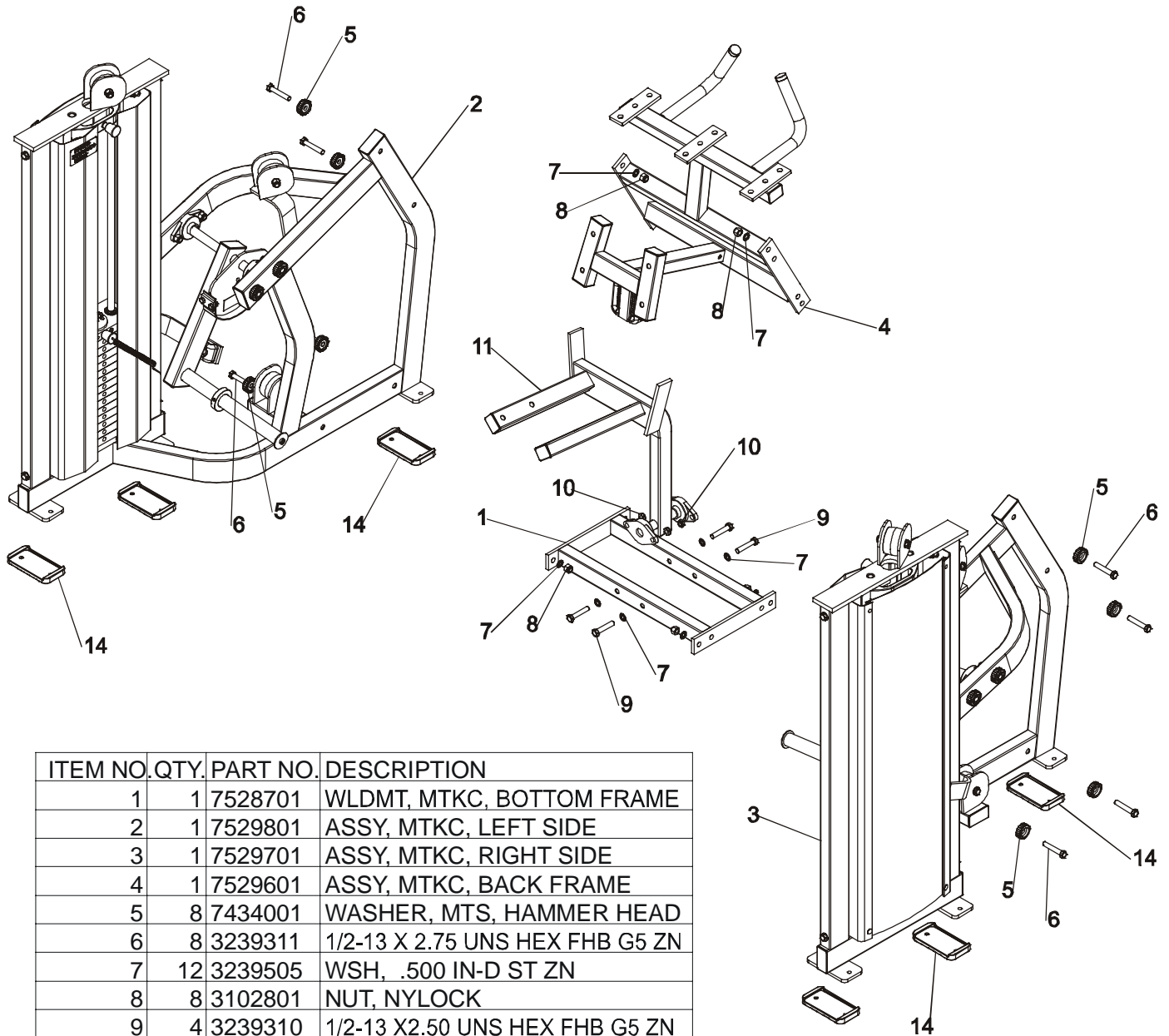
## Contents

---

|                                   | PAGE |
|-----------------------------------|------|
| COMPONENT ASSEMBLY .....          | 4    |
| LEFT SIDE ASSEMBLY .....          | 5    |
| LEFT SIDE ASSEMBLY CALLOUTS ..... | 6    |
| KNEE FRAME ASSEMBLY .....         | 7    |
| BACK FRAME ASSEMBLY .....         | 8    |
| FULL SHROUD XL KIT ASSEMBLY ..... | 9    |
| WEIGHT STACK ASSEMBLY .....       | 10   |
| PADS .....                        | 11   |

# RAMSEY MTSKC KNEELING LEG CURL

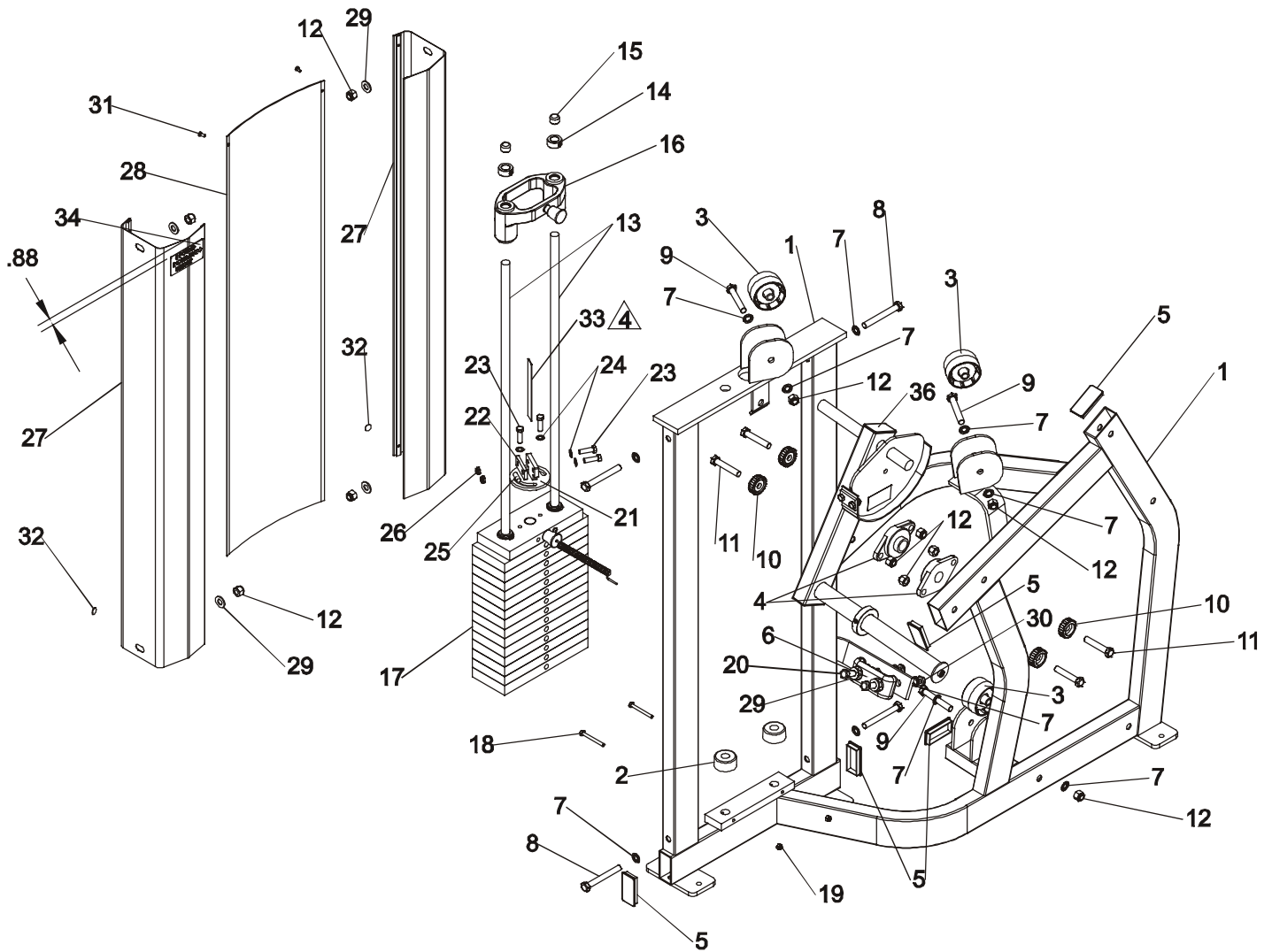
## COMPONENT ASSEMBLY



| ITEM NO. | QTY. | PART NO. | DESCRIPTION                     |
|----------|------|----------|---------------------------------|
| 1        | 1    | 7528701  | WLDMT, MTKC, BOTTOM FRAME       |
| 2        | 1    | 7529801  | ASSY, MTKC, LEFT SIDE           |
| 3        | 1    | 7529701  | ASSY, MTKC, RIGHT SIDE          |
| 4        | 1    | 7529601  | ASSY, MTKC, BACK FRAME          |
| 5        | 8    | 7434001  | WASHER, MTS, HAMMER HEAD        |
| 6        | 8    | 3239311  | 1/2-13 X 2.75 UNS HEX FHB G5 ZN |
| 7        | 12   | 3239505  | WSH, .500 IN-D ST ZN            |
| 8        | 8    | 3102801  | NUT, NYLOCK                     |
| 9        | 4    | 3239310  | 1/2-13 X 2.50 UNS HEX FHB G5 ZN |
| 10       | 4    | 3102804  | NUT, NYLOCK                     |
| 11       | 1    | 7540101  | ASSY, MTKC, KNEE FRAME          |
| 12       | 1    | 7399001  | PAD, ELBOW 24 X 11              |
| 13       | 2    | 7399300  | PAD. 7 X 11-1/4                 |
| 14       | 6    | 7388201  | Footpad, PS Rubber              |
| 15       | 2    | 7424701  | ASSY, ROLLER PAD - SHORT        |
| 16       | 2    | 7308701  | CAP, BEARING HOUSING            |
| 17       | 2    | 7563001  | PAD, 8 X 6                      |
| 18       | 12   | 3236601  | WASHER, 3/8 SAE SS              |
| 19       | 4    | 3236204  | SCREW, M10 X1.5 35MM            |
| 20       | 8    | 3236210  | SCREW, M10 X1.5 65MM            |

# RAMSEY MTSKC KNEELING LEG CURL

## LEFT SIDE ASSEMBLY



**RAMSEY MTSKC KNEELING LEG CURL**  
**LEFT SIDE ASSEMBLY CALLOUTS**

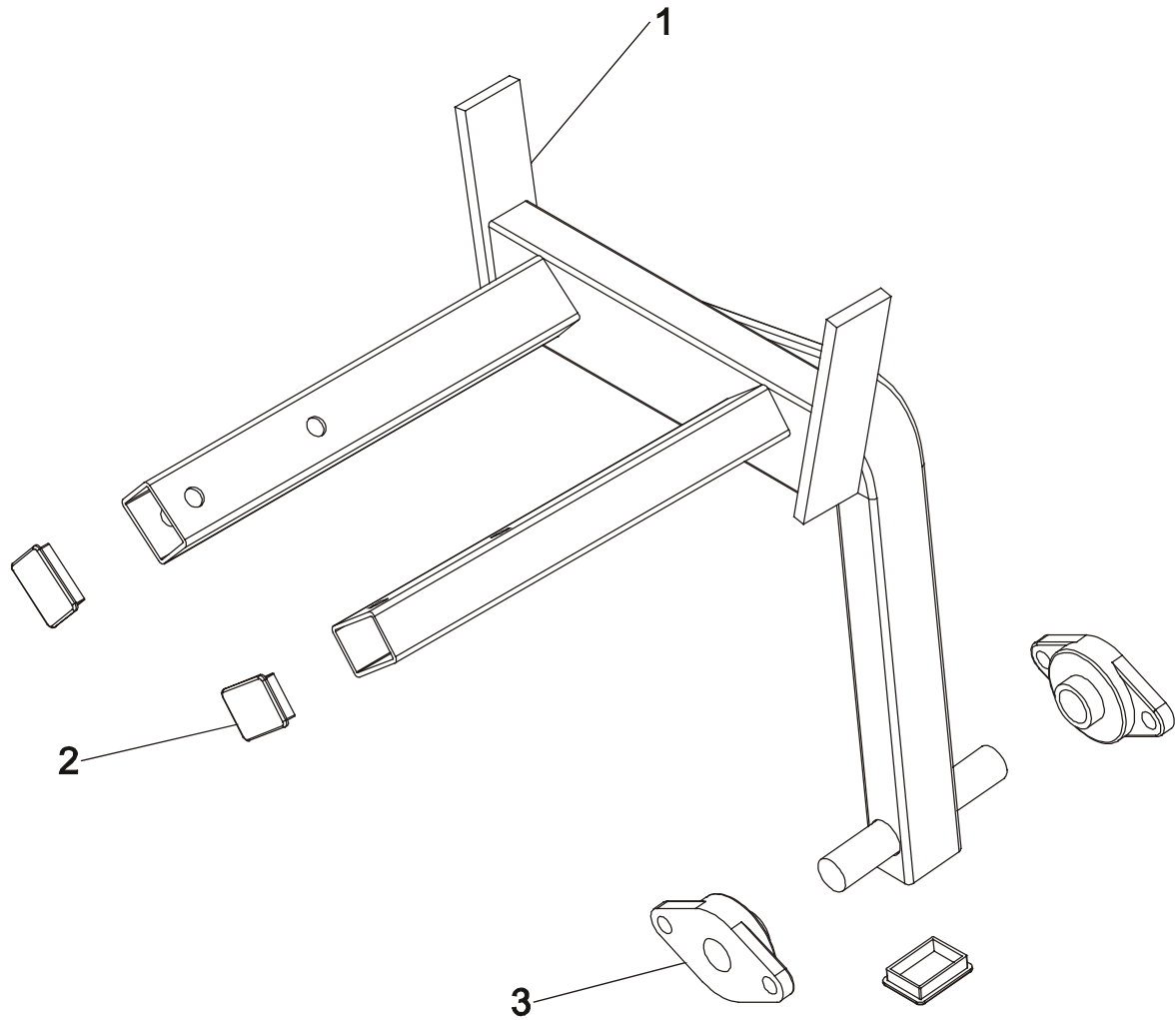
---

| ITEM NO. | QTY. | PART NO.        | DESCRIPTION                     |
|----------|------|-----------------|---------------------------------|
| 1        | 1    | 7528901         | WLDMT, MTKC, LEFT FRAME         |
| 2        | 2    | 7352101         | CUSHION, WEIGHT STACK           |
| 3        | 3    | 7594601         | PULLEY, MTS, 3" BELT            |
| 4        | 2    | 3239901         | BEARING, 2 HOLE FLANGE, 1" ID   |
| 5        | 5    | 7477401         | CAP. END, 1-1/2 X 3, 11GA SGRY  |
| 6        | 1    | 7352001         | BUMPER, 2-1/8 X 4-5/8           |
| 7        | 12   | 3239505         | WSH, .500 IN-D ST ZN            |
| 8        | 4    | 3239316         | 1/2-13 X 4.00 UNS HEX FHB G5 ZN |
| 9        | 3    | 3239313         | 1/2-13 X 3.25 UNS HEX FHB G5 ZN |
| 10       | 4    | 7434001         | WASHER, MTS, HAMMER HEAD        |
| 11       | 4    | 3239311         | 1/2-13 X 2.75 UNS HEX FHB G5 ZN |
| 12       | 11   | 3102801         | NUT, NYLOCK                     |
| 13       | 2    | 7328616         | GUIDE ROD, .75 OD SOLID 45.25   |
| 14       | 2    | 3103301         | SHAFT COLLAR, 3/4 I.D. ZINC     |
| 15       | 2    | 3242701         | CAP, END, .75 X .50. RD, BLACK  |
| 16       | 1    | 7459901         | ASSY, MTS, INCREMENT WEIGHT     |
| 17       | 1    | 7464701         | ASSY, MTS, 150 LB STACK         |
| 18       | 2    | 3223809         | 1/4-20 UNS HEX FHB G5 ZN        |
| 19       | 2    | 3102806         | NUT, NYLOCK 1/4-20 ZN           |
| 20       | 2    | 3239307         | 1/2-13 X 1.75 UNS HEX FHB G5 ZN |
| 21       | 1    | 7434895         | WLDMT, MTS, BELT ATTACH         |
| 22       | 1    | 7435295         | PLATE, MTS, BELT CLAMP          |
| 23       | 4    | 3223302         | 3/8-16 X 16 HEX HEAD BOLT       |
| 24       | 4    | 3239503         | WSH, .375 IN-D ST ZN            |
| 25       | 1    | 7435101         | SHAFT, 3/8" DIA SS, BELT WRAP   |
| 26       | 2    | 3102807         | NUT, NYLOCK 3/8-16 LOW HT       |
| 27       | 2    | 7465104         | SHROUD, MTS, SIDE 44.63" SGRY   |
| 28       | 1    | 7435605         | PANEL, MTS, PLASTIC 44.63"      |
| 29       | 6    | 3102507         | WASHER, TYPE A PLAIN            |
| 30       | 2    | 3102804         | NUT, NYLOCK                     |
| 31       | 2    | 0017-00101-1587 | SHIELD RIVET                    |
| 32       | 2    | 7564101         | LABEL, MTS, .625 DIA HOLE COVER |
| 33       | 1    | 7435701         | BELT, SPOOLED, W15/16, T.09     |
| 34       | 1    | M051-00297-A000 | INCREMENT WT. DECAL (RIGHT)     |
| 35       | 1    | M051-00289-A000 | HAMMER STRENGTH NAME PLATE      |
| 36       | 1    | 7529901         | ASSY, MTKC, LEFT ARM            |
| 37       | 1    | 7422003         | LABEL, MOVING PARTS             |

# RAMSEY MTSKC KNEELING LEG CURL

## *KNEE FRAME ASSEMBLY*

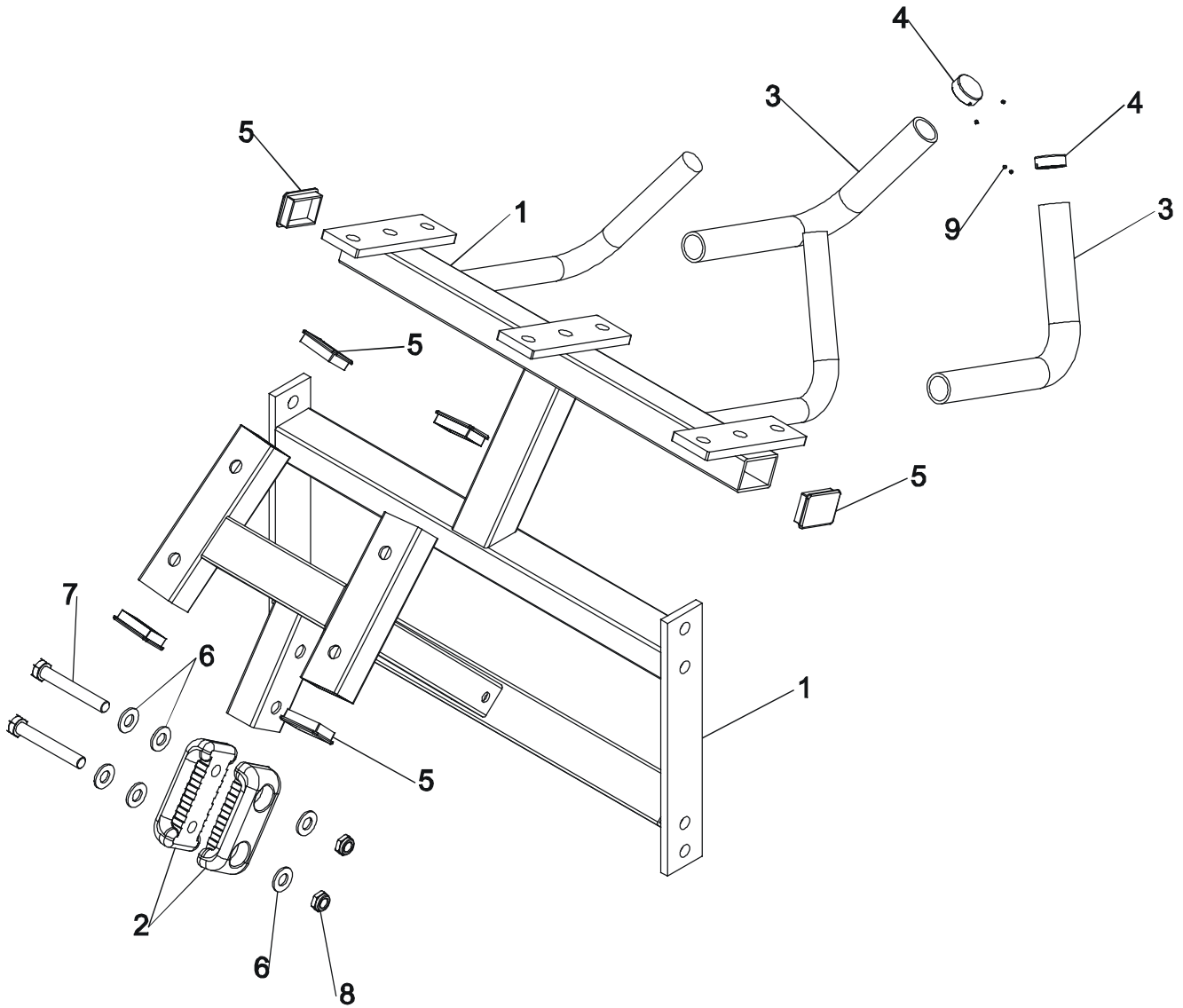
---



| ITEM NO. | QTY. | PART NO. | DESCRIPTION                    |
|----------|------|----------|--------------------------------|
| 1        | 1    | 7529101  | WLDMT, MTKC, KNEE FRAME        |
| 2        | 3    | 7477301  | CAP, END, 1-1/2 X 2, 11GA SGRY |
| 3        | 2    | 3239901  | BEARING, 2 HOLE FLANGE, 1" ID  |

# RAMSEY MTSKC KNEELING LEG CURL

## BACK FRAME ASSEMBLY



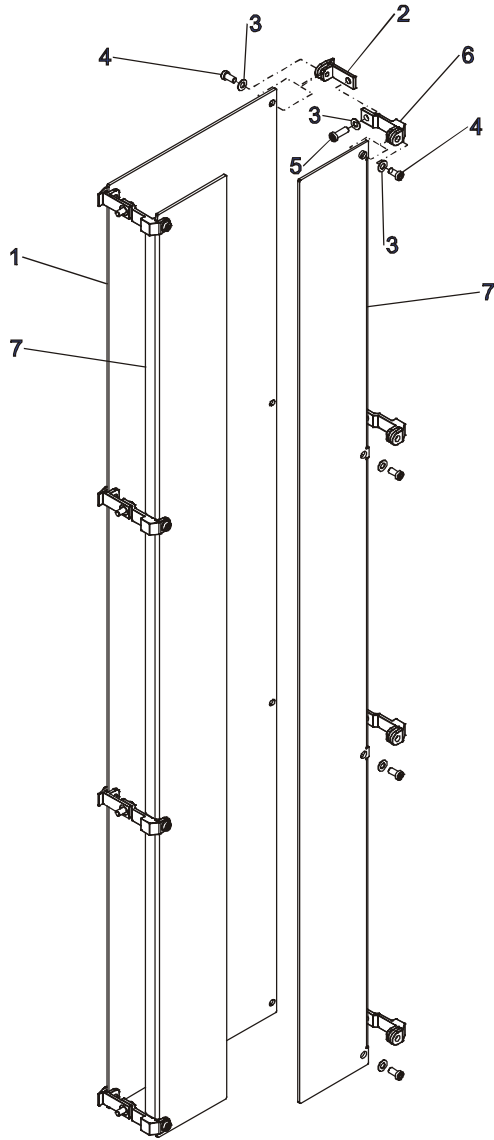
| ITEM NO. | QTY. | PART NO. | DESCRIPTION                     |
|----------|------|----------|---------------------------------|
| 1        | 1    | 7529001  | WLDMT, MTKC, BACK FRAME         |
| 2        | 2    | 7352001  | BUMPER, 2-1/8 X 4-5/8           |
| 3        | 2    | 3235801  | MTKC GRIP, SHADOW GRAY, 13.88"  |
| 4        | 2    | 7306901  | CAP, GRIP 1.25 OD               |
| 5        | 6    | 7477301  | CAP, END, 1-1/2 X 2, 11GA SGRY  |
| 6        | 6    | 3102507  | WASHER, TYPE A PLAIN            |
| 7        | 2    | 3239314  | 1/2-13 X 3.50 UNS HEX FHB G5 ZN |
| 8        | 2    | 3102804  | NUT, NYLOCK                     |
| 9        | 4    | 3237201  | M3 X .5 HXS NO CUP ST BO        |



# RAMSEY MTSKC KNEELING LEG CURL

## FULL SHROUD XL KIT ASSEMBLY

---

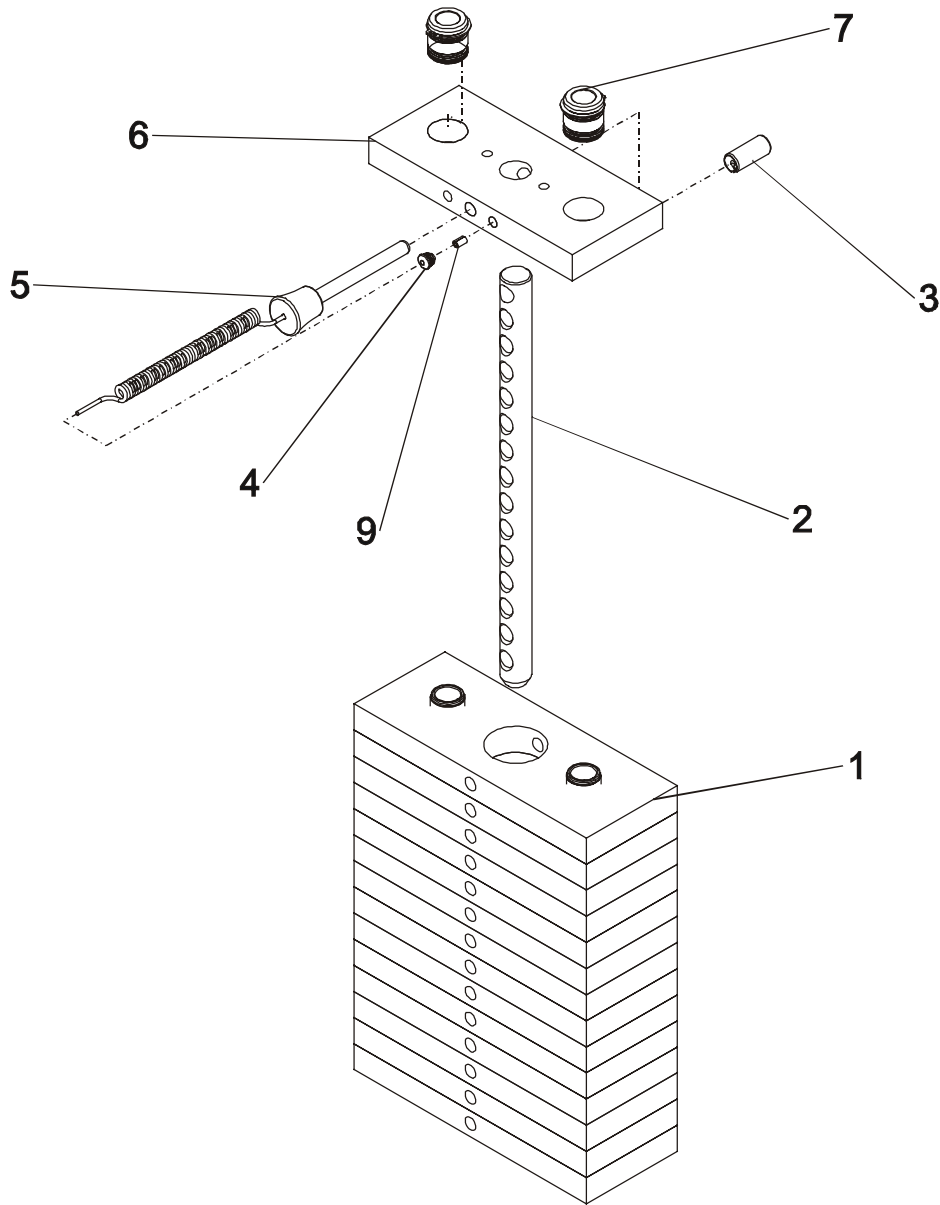


| ITEM NO. | QTY. | PART NO. | DESCRIPTION          |
|----------|------|----------|----------------------|
| 1        | 1    | 7469701  | SHIELD, PSPD REAR    |
| 2        | 8    | 7376701  | BRACKET, PS REAR     |
| 3        | 24   | 3236601  | WASHER, 3/8 SAE SS   |
| 4        | 16   | 3236201  | SCREW, M10 X1.5 20MM |
| 5        | 8    | 3236203  | SCREW, M10 X1.5 30MM |
| 6        | 8    | 7376601  | BRACKET, PS FRONT    |
| 7        | 2    | 7469801  | SHIELD, PSPD FRONT   |

# RAMSEY MTSKC KNEELING LEG CURL

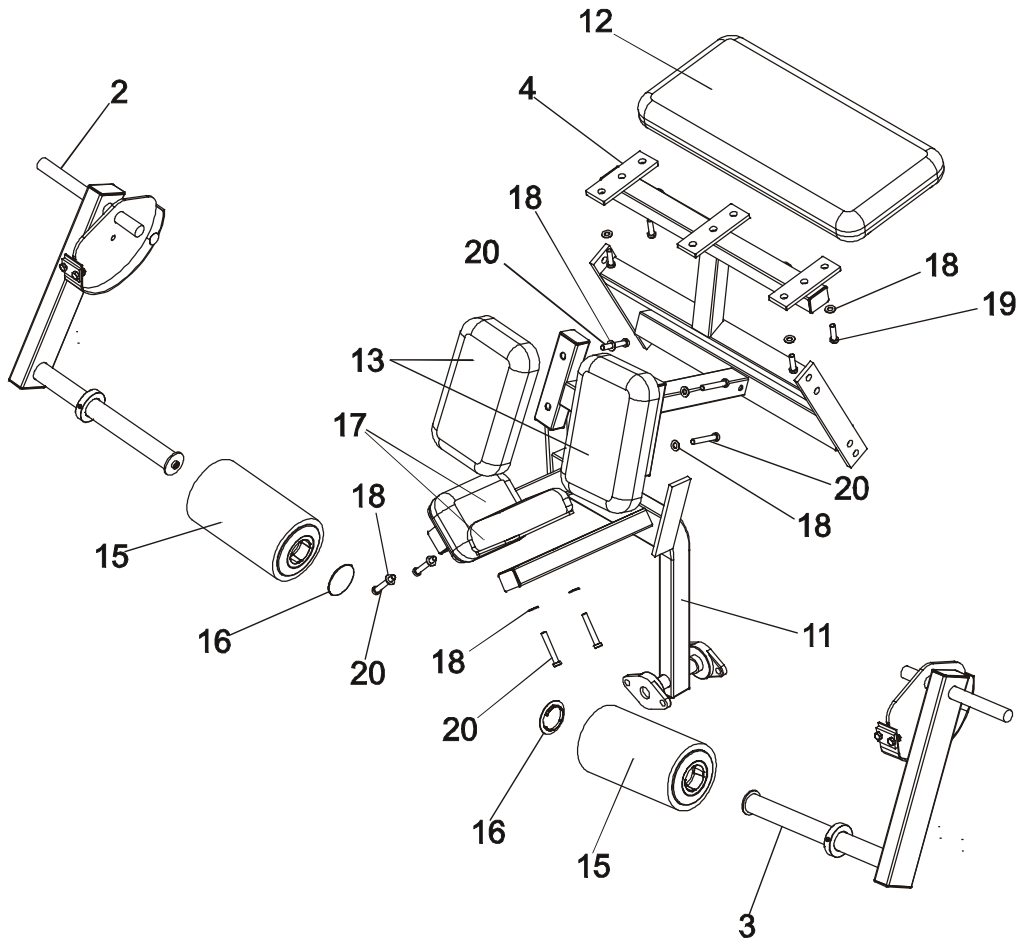
## WEIGHT STACK ASSEMBLY 150 lbs

---



| ITEM NO. | QTY. | PART NO. | DESCRIPTION              |
|----------|------|----------|--------------------------|
| 1        | 14   | 7353701  | ASSY, 10 LB PLATE        |
| 2        | 1    | 7464801  | BAYONET, MTS, 15 HOLE    |
| 3        | 1    | 3236001  | BUSHING, SPRING PIN      |
| 4        | 1    | 7356501  | PLUG, LANYARD ATTACHMENT |
| 5        | 1    | 7353001  | ASSY, SELECTOR PIN       |
| 6        | 1    | 7434401  | HEAD PLATE, MTS          |
| 7        | 2    | 7338001  | BUSHING, HEADPLATE       |
| 9        | 1    | 7523601  | CRIMP, CABLE             |

# RAMSEY MTSKC KNEELING LEG CURL PADS



| ITEM NO. | QTY. | PART NO. | DESCRIPTION              |
|----------|------|----------|--------------------------|
| 2        | 1    | 7529801  | ASSY, MTKC, LEFT SIDE    |
| 3        | 1    | 7529701  | ASSY, MTKC, RIGHT SIDE   |
| 4        | 1    | 7529601  | ASSY, MTKC, BACK FRAME   |
| 11       | 1    | 7540101  | ASSY, MTKC, KNEE FRAME   |
| 12       | 1    | 7399001  | PAD, ELBOW 24 X 11       |
| 13       | 2    | 7399300  | PAD. 7 X 11-1/4          |
| 15       | 2    | 7424701  | ASSY, ROLLER PAD - SHORT |
| 16       | 2    | 7308701  | CAP, BEARING HOUSING     |
| 17       | 2    | 7563001  | PAD, 8 X 6               |
| 18       | 12   | 3236601  | WASHER, 3/8 SAE SS       |
| 19       | 4    | 3236204  | SCREW, M10 X1.5 35MM     |
| 20       | 8    | 3236210  | SCREW, M10 X1.5 65MM     |