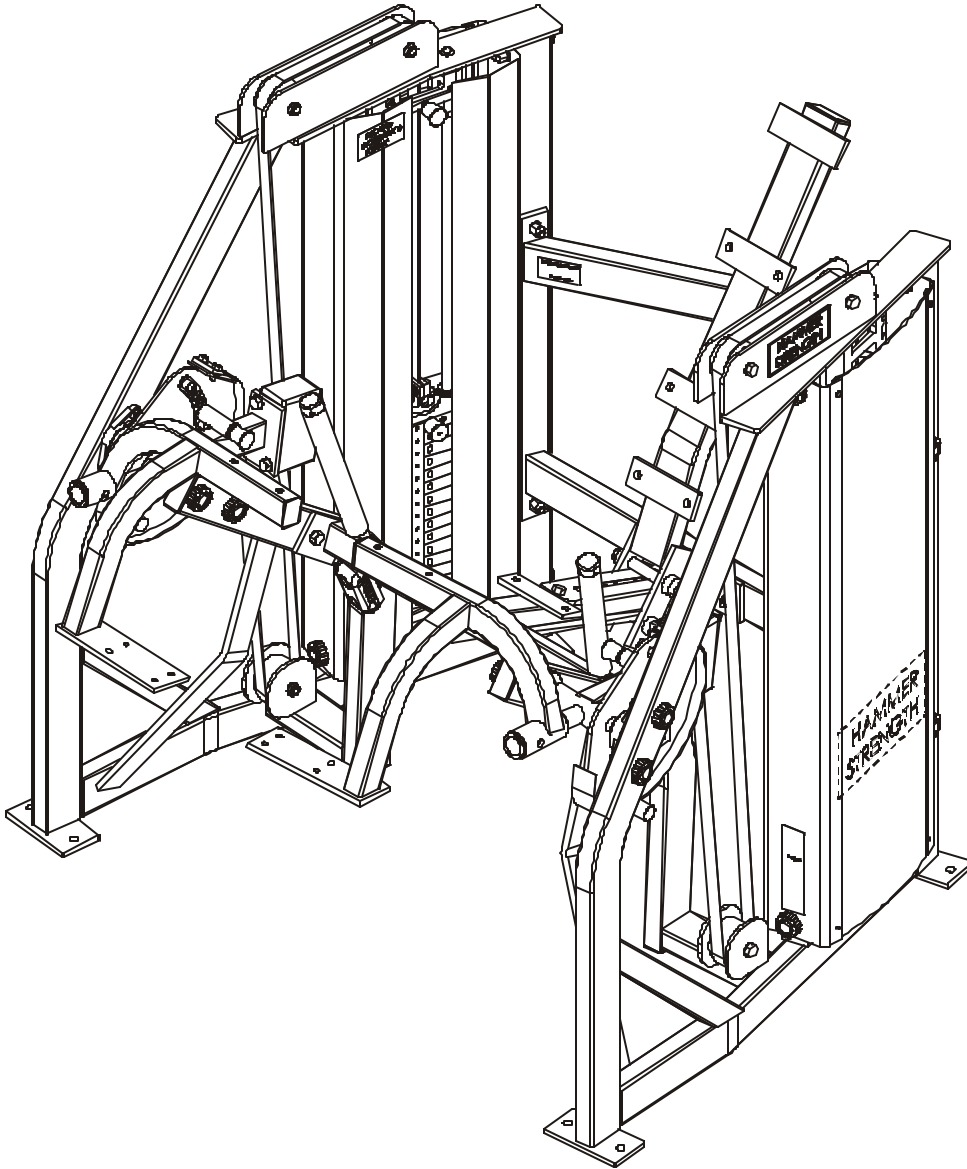


LifeFitness

RAMSEY MTSLC - MOTION TECHNOLOGY SELECTORIZED LEG CURL



Customer Support Services ***PARTS MANUAL***

RAMSEY MTSLC LEG CURL

Notes:

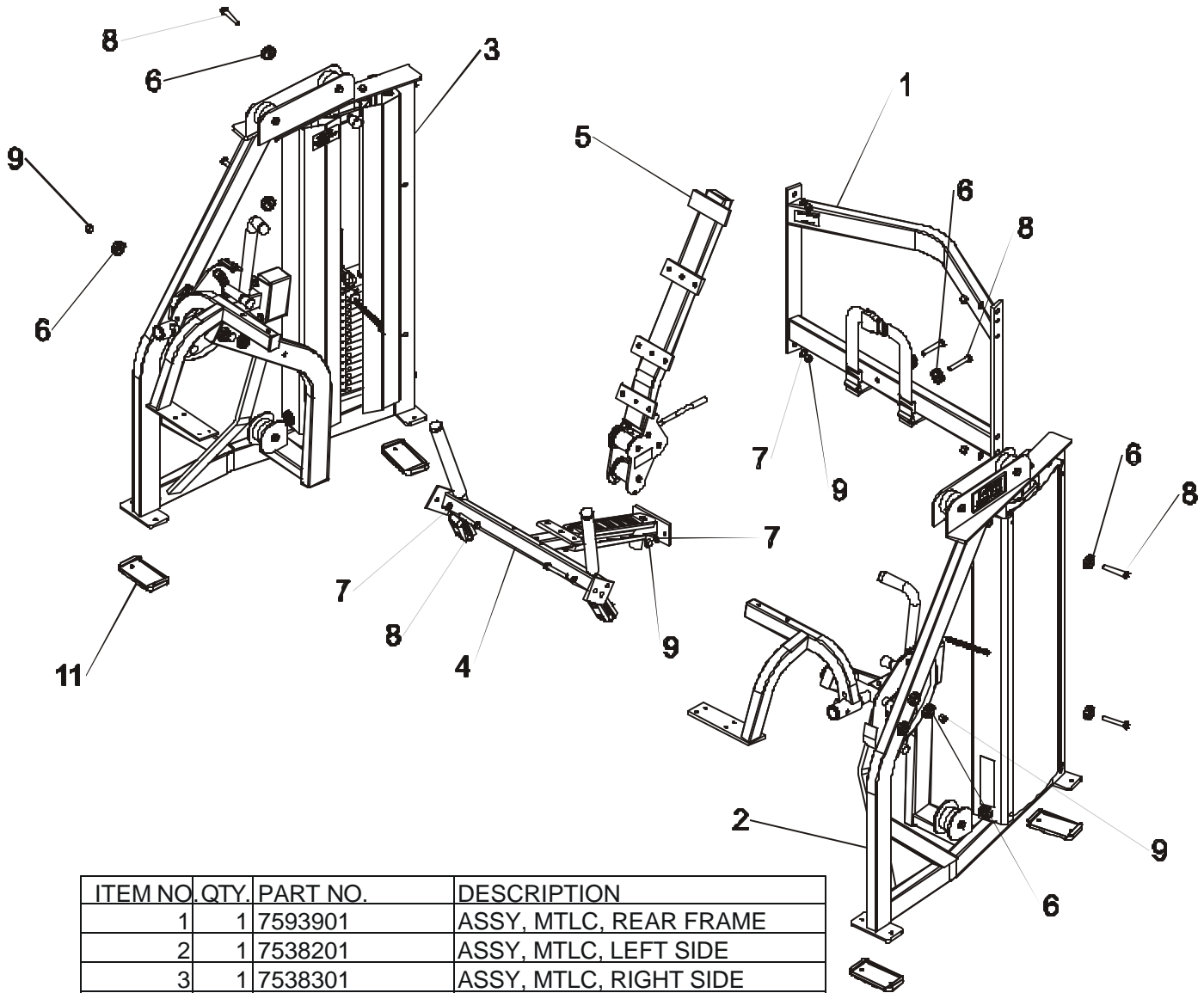
RAMSEY MTS LC LEG CURL

Contents

	PAGE
COMPONENT ASSEMBLY	4
RIGHT SIDE ASSEMBLY.....	5
RIGHT SIDE ASSEMBLY CALLOUTS.....	6
LEFT SIDE ASSEMBLY.....	7
LEFT SIDE ASSEMBLY CALLOUTS.....	8
SEAT FRAME ASSEMBLY.....	9
SEAT BACK ASSEMBLY.....	10
REAR FRAME ASSEMBLY.....	11
WEIGHT STACK ASSEMBLY.....	12

RAMSEY MTSLC LEG CURL

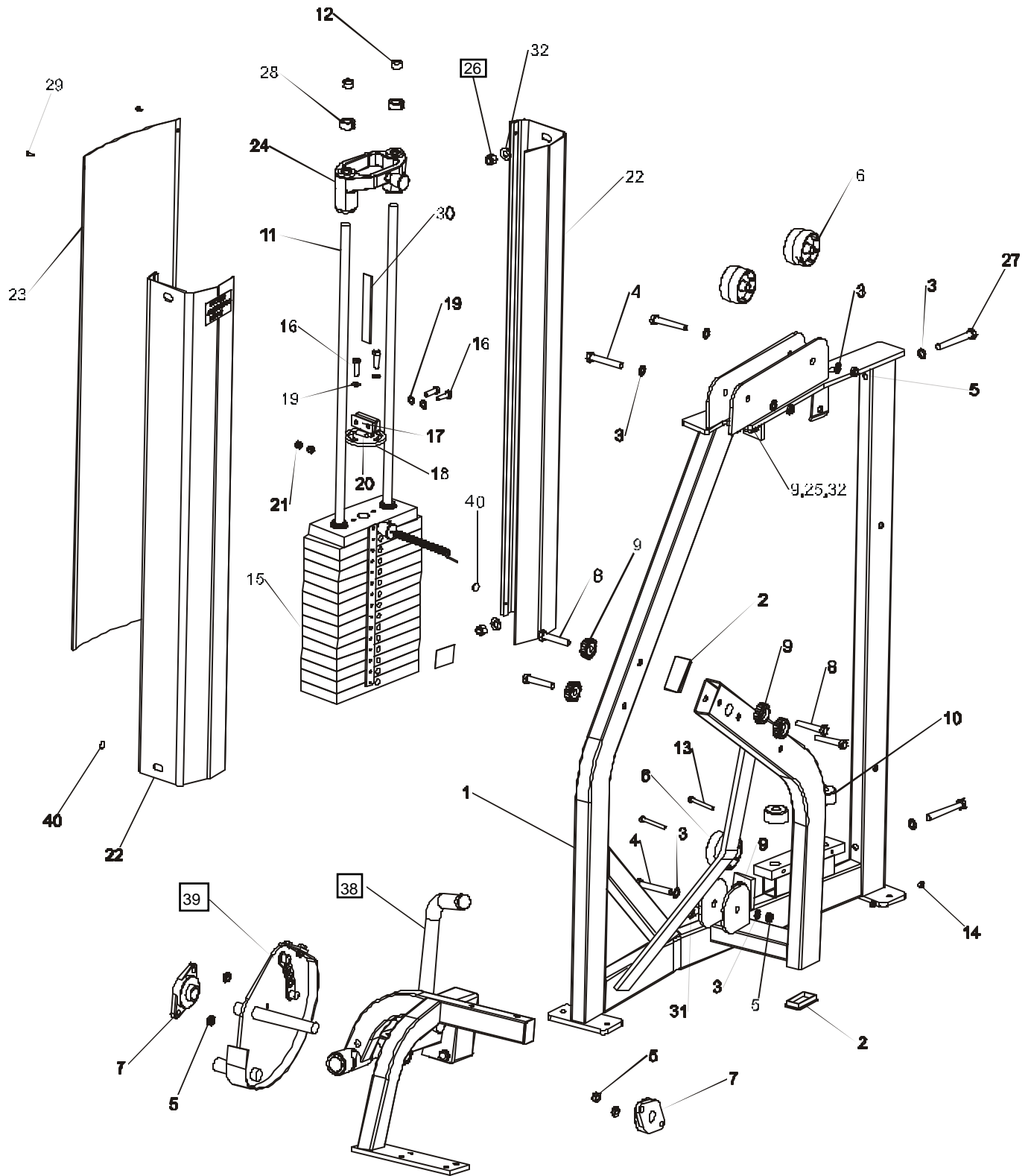
COMPONENT ASSEMBLY



ITEM NO.	QTY.	PART NO.	DESCRIPTION
1	1	7593901	ASSY, MTLC, REAR FRAME
2	1	7538201	ASSY, MTLC, LEFT SIDE
3	1	7538301	ASSY, MTLC, RIGHT SIDE
4	1	7538401	ASSY, MTLC, SEAT FRAME
5	1	7522701	ASSY, MTLE, SEAT BACK
6	8	7434001	WASHER, MTS, HAMMER HEAD
7	8	3239505	WSH. .500 IN-D ST ZN
8	8	3239312	1/2-13 X 3.00 UNS HEX FHB G5 ZN
9	8	3102801	NUT, NYLOCK
10	1	M051-00299-A000	HAMMER PATENT DECAL
11	4	7388201	Footpad, PS Rubber
12	4	7499601	PAD, 9 X 6-1/2
13	1	7398801	PAD, BACK 25 X 11-1/4
14	1	7399300	PAD, 7 X 11-1/4
15	12	3236204	SCREW, M10 X1.5 35MM
16	6	3236212	SCREW, M10 X1.5 75MM
17	18	3236601	WASHER, 3/8 SAE SS
18	1	7459101	PAD, SEAT 18-1/2 X 19-7/8

RAMSEY MTSLC LEG CURL

RIGHT SIDE ASSEMBLY



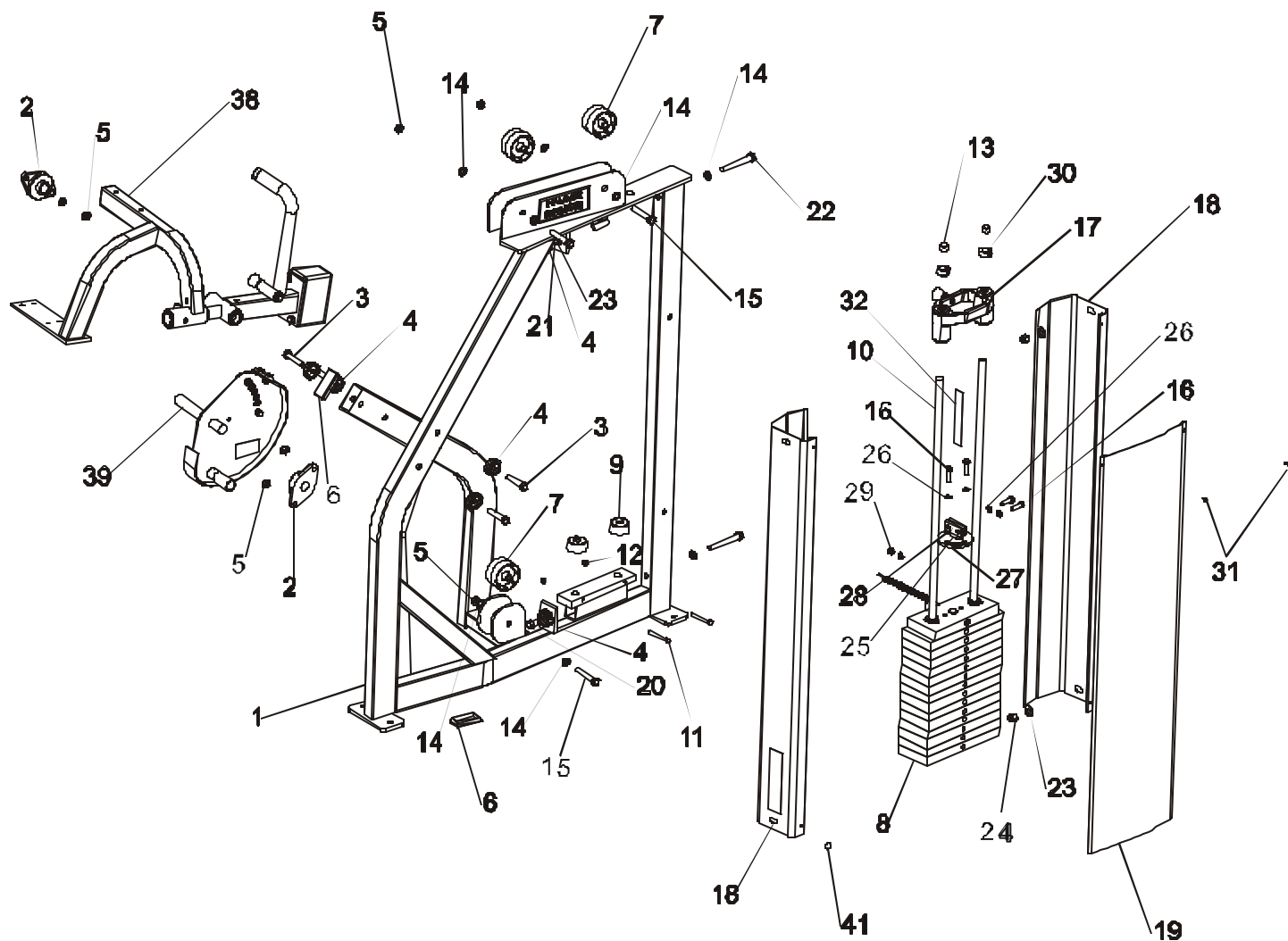
RAMSEY MTS LC LEG CURL

RIGHT SIDE ASSEMBLY CALLOUTS

ITEM NO.	QTY.	PART NO.	DESCRIPTION
1	1	7536301	WLDMT, MTLC, RIGHT SIDE
2	2	7477401	CAP. END, 1-1/2 X 3, 11GA SGRY
3	8	3239505	WSH, .500 IN-D ST ZN
4	3	3239312	1/2-13 X 3.00 UNS HEX FHB G5 ZN
5	7	3102804	NUT, NYLOCK
6	3	7594601	PULLEY, MTS, 3" BELT
7	2	3239901	BEARING, 2 HOLE FLANGE, 1" ID
8	4	3239310	1/2-13 X2.50 UNS HEX FHB G5 ZN
9	6	7434001	WASHER, MTS, HAMMER HEAD
10	2	7352101	CUSHION, WEIGHT STACK
11	2	7328613	GUIDE ROD, .75 OD SOLID 43.25
12	2	3242701	CAP, END, .75 X .50. RD, BLACK
13	2	3223809	1/4-20 UNS HEX FHB G5 ZN
14	2	3102806	NUT, NYLOCK 1/4-20 ZN
15	1	7464701	ASSY, MTS, 150 LB STACK
16	4	3223302	3/8-16 X 16 HEX HEAD BOLT
17	1	7435295	PLATE, MTS, BELT CLAMP
18	1	7436595	WLDMT, MTS, BELT ATTACH LH
19	4	3239503	WSH, .375 IN-D ST ZN
20	1	7435101	SHAFT, 3/8" DIA SS, BELT WRAP
21	2	3102807	NUT, NYLOCK 3/8-16 LOW HT
22	2	7465104	SHROUD, MTS, SIDE 44.63" SGRY
23	1	7435605	PANEL, MTS, PLASTIC 44.63"
24	1	7459901	ASSY, MTS, INCREMENT WEIGHT
25	1	3239305	1/2-13 X 1.25 UNS HEX FHB G5 ZN
26	2	3102801	NUT, NYLOCK
27	2	3239316	1/2-13 X 4.00 UNS HEX FHB G5 ZN
28	2	3103301	SHAFT COLLAR, 3/4 I.D. ZINC
29	2	0017-00101-1587	SHIELD RIVET
30	1	7435701	BELT, SPOOLED, W15/16, T.09
31	1	3239303	1/2-13 X .75 UNS HEX FHB G5 ZN
32	3	3102507	WASHER, TYPE A PLAIN
33	1	7422003	LABEL, MOVING PARTS
34	1	M051-00297-A000	INCREMENT WT. DECAL (RIGHT)
35	1	M051-00289-A000	HAMMER STRENGTH NAME PLATE
36	1	M051-00294-A000	WEIGHT STACK NUMBER STRIP
37	1	7488701	LABEL, AXIS OF ROTATION
38	1	7538701	ASSY, MTLC, ARM RIGHT
39	1	7538801	ASSY, MTLC, CAM RIGHT
40	2	7564101	LABEL, MTS, .625 DIA HOLE COVER

RAMSEY MTSLC LEG CURL

LEFT SIDE ASSEMBLY

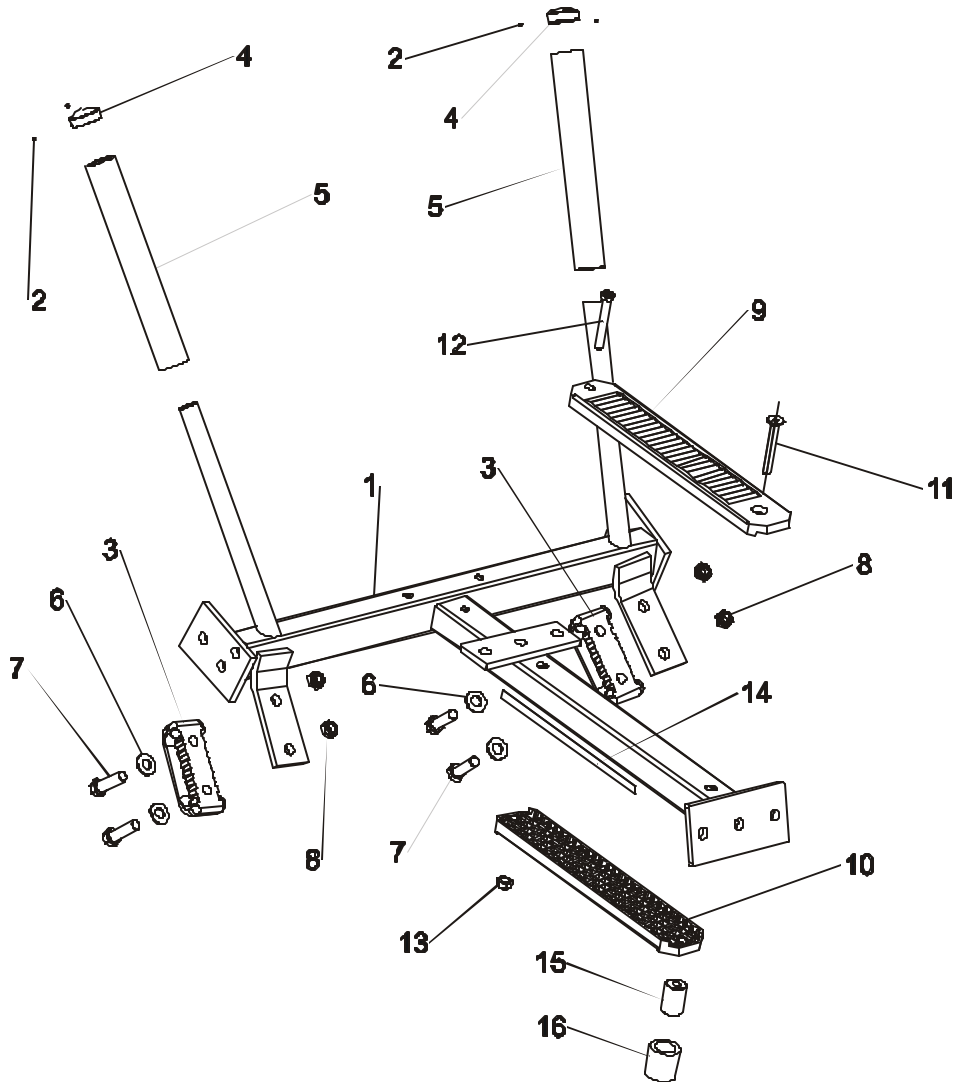


RAMSEY MTS LC LEG CURL

LEFT SIDE ASSEMBLY CALLOUTS

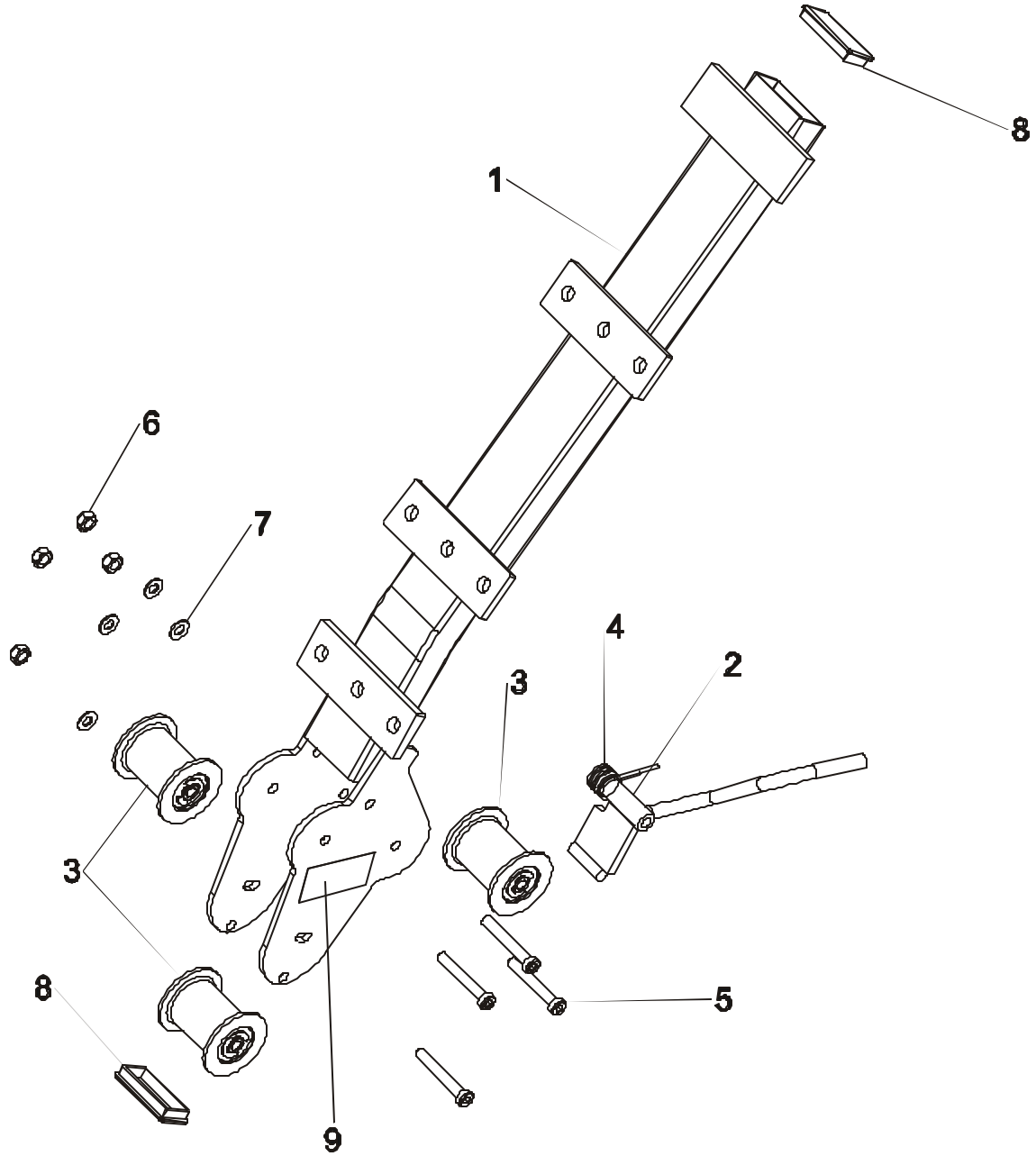
ITEM NO.	QTY.	PART NO.	DESCRIPTION
1	1	7535101	WLDMT, MTLC, LEFT SIDE
2	2	3239901	BEARING, 2 HOLE FLANGE, 1" ID
3	4	3239310	1/2-13 X2.50 UNS HEX FHB G5 ZN
4	6	7434001	WASHER, MTS, HAMMER HEAD
5	7	3102804	NUT, NYLOCK
6	2	7477401	CAP. END, 1-1/2 X 3, 11GA SGRY
7	3	7594601	PULLEY, MTS, 3" BELT
8	1	7464701	ASSY, MTS, 150 LB STACK
9	2	7352101	CUSHION, WEIGHT STACK
10	2	7328613	GUIDE ROD, .75 OD SOLID 43.25
11	2	3223809	1/4-20 UNS HEX FHB G5 ZN
12	2	3102806	NUT, NYLOCK 1/4-20 ZN
13	2	3242701	CAP, END, .75 X .50. RD, BLACK
14	8	3239505	WSH, .500 IN-D ST ZN
15	3	3239312	1/2-13 X 3.00 UNS HEX FHB G5 ZN
16	4	3223302	3/8-16 X 16 HEX HEAD BOLT
17	1	7459901	ASSY, MTS, INCREMENT WEIGHT
18	2	7465104	SHROUD, MTS, SIDE 44.63" SGRY
19	1	7435605	PANEL, MTS, PLASTIC 44.63"
20	1	3239303	1/2-13 X .75 UNS HEX FHB G5 ZN
21	1	3239305	1/2-13 X 1.25 UNS HEX FHB G5 ZN
22	2	3239316	1/2-13 X 4.00 UNS HEX FHB G5 ZN
23	3	3102507	WASHER, TYPE A PLAIN
24	2	3102801	NUT, NYLOCK
25	1	7435101	SHAFT, 3/8" DIA SS, BELT WRAP
26	4	3239503	WSH, .375 IN-D ST ZN
27	1	7434895	WLDMT, MTS, BELT ATTACH
28	1	7435295	PLATE, MTS, BELT CLAMP
29	2	3102807	NUT, NYLOCK 3/8-16 LOW HT
30	2	3103301	SHAFT COLLAR, 3/4 I.D. ZINC
31	2	0017-00101-1587	SHIELD RIVET
32	1	7435701	BELT, SPOOLED, W15/16, T.09
33	1	7422003	LABEL, MOVING PARTS
34	1	7422004	LABEL, 2" ASTM WARN
35	1	M051-00294-A000	WEIGHT STACK NUMBER STRIP
36	1	M051-00298-A000	INCREMENT WT. DECAL (LEFT)
37	1	M051-00289-A000	HAMMER STRENGTH NAME PLATE
38	1	7538501	ASSY, MTLC, ARM LEFT
39	1	7538601	ASSY, MTLC, CAM LEFT
40	1	7488701	LABEL, AXIS OF ROTATION
41	2	7564101	LABEL, MTS, .625 DIA HOLE COVER

RAMSEY MTS LC LEG CURL SEAT FRAME ASSEMBLY



ITEM NO.	QTY.	PART NO.	DESCRIPTION
1	1	7537701	WLDMT, MTLC, SEAT FRAME
2	4	3237201	M3 X .5 HXS NO CUP ST BO
3	2	7352001	BUMPER, 2-1/8 X 4-5/8
4	2	7306902	RING, GRIP 1.50 OD
5	2	3235802	MTLC GRIP, SHADOW GRAY, 15"
6	4	3102507	WASHER, TYPE A PLAIN
7	4	3239307	1/2-13 X 1.75 UNS HEX FHB G5 ZN
8	4	3102804	NUT, NYLOCK
9	1	7564301	SEATRACK, ROLLER SERRATED
10	1	7564401	SEATRACK, FLAT
11	1	3238312	M10x1.5x75mm
12	1	3236211	SCREW, M10 X1.5 70MM
13	1	3236801	NUT, M10 HEX NYLOCK SS
14	1	7422002	LABEL, SEAT ADJUST
15	1	7570601	STOP, ROLLER SEAT
16	1	3235802	GRIP, SHADOW GRAY, 1.5"

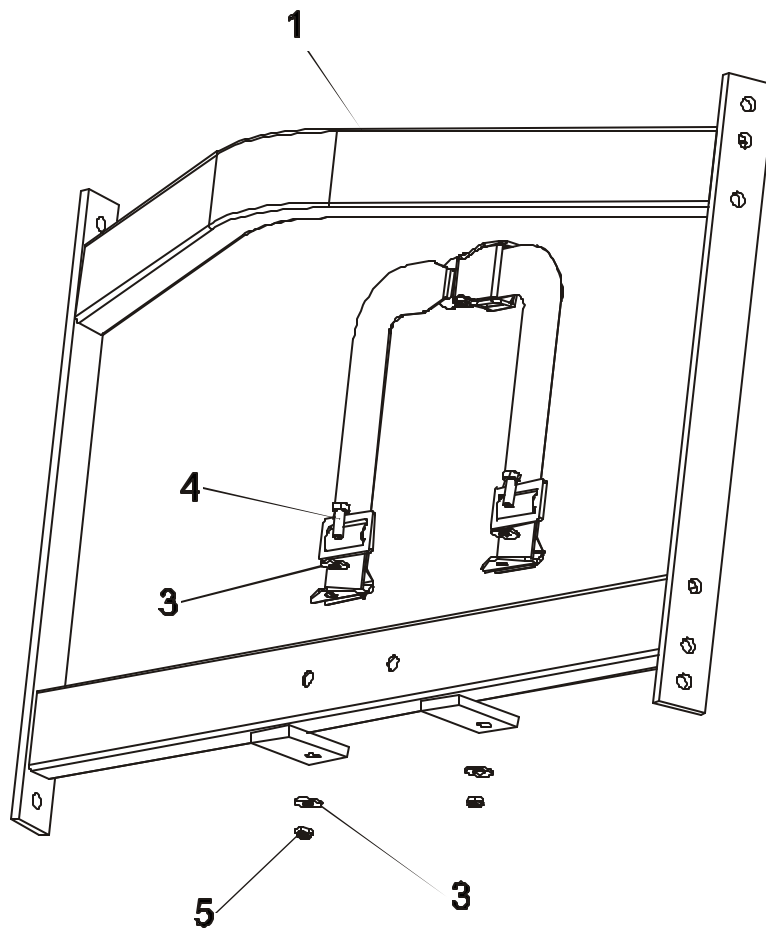
RAMSEY MTSLC LEG CURL SEAT BACK ASSEMBLY



ITEM NO.	QTY.	PART NO.	DESCRIPTION
1	1	7520701	WLDMT, MTS, SEAT BACK
2	1	7387595	WELDMNT, PS-ROLLER SEAT HANDLE
3	3	7564201	ASSY, SEAT ROLLER
4	1	7442701	SPRNG. PRO2 HANDLE TORSION
5	4	3236211	SCREW, M10 X1.5 70MM
6	4	3236801	NUT, M10 HEX NYLOCK SS
7	4	3236601	WASHER, 3/8 SAE SS
8	2	7477401	CAP. END, 1-1/2 X 3, 11GA SGRY
9	1	7422001	LABEL, SEAT INST

RAMSEY MTSLC LEG CURL

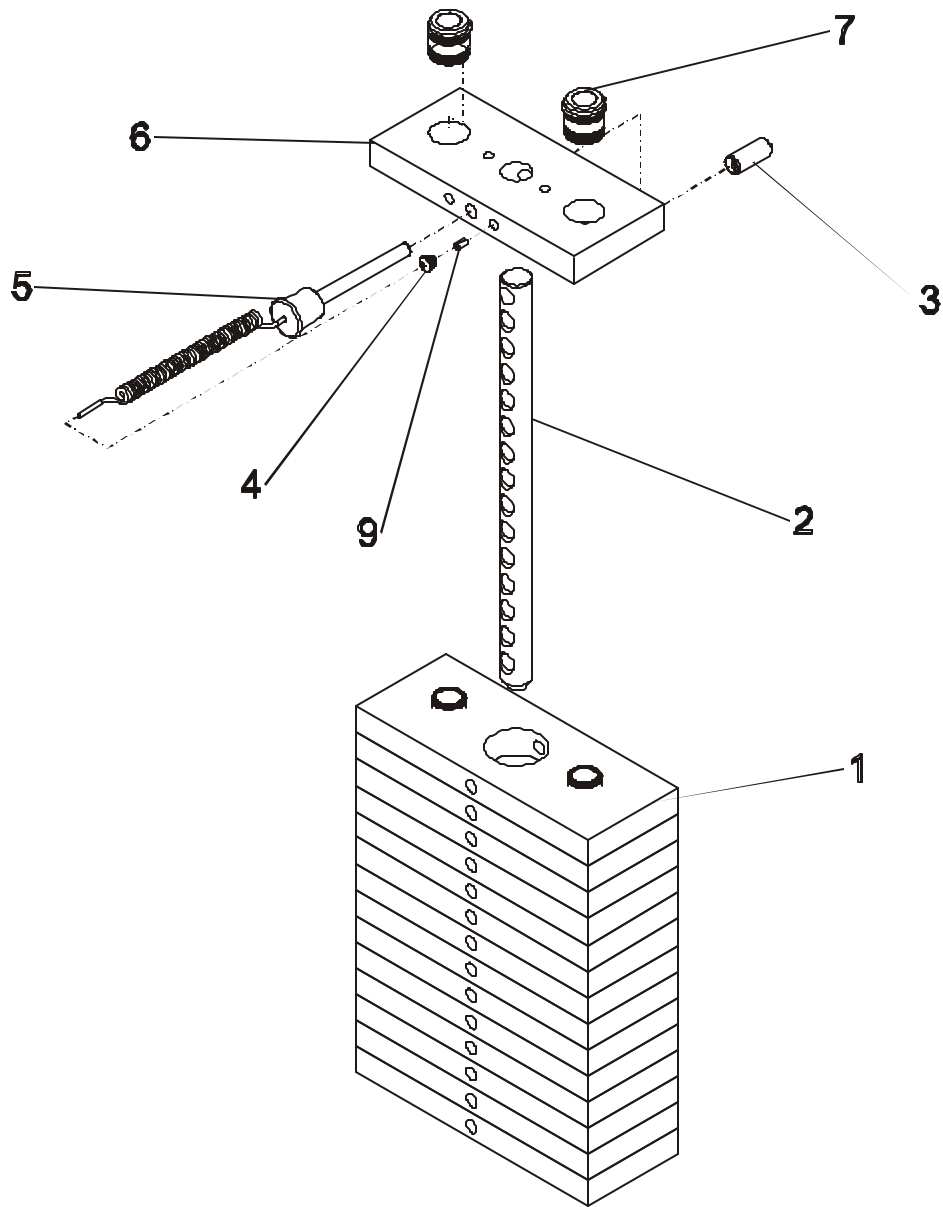
REAR FRAME ASSEMBLY



ITEM NO.	QTY.	PART NO.	DESCRIPTION
1	1	7537201	WLDMT, MTLC, BACK FRAME
2	1	7593701	SEAT BELT, MTS
3	4	3102501	WASHER, TYPE A PLAIN
4	2	3223301	3/8-16 X 16 HEX HEAD BOLT
5	2	3102807	NUT, NYLOCK 3/8-16 LOW HT

RAMSEY MTSLC LEG CURL

WEIGHT STACK ASSEMBLY 150 LBS



ITEM NO	QTY.	PART NO	DESCRIPTION
1	14	7353701	ASSY, 10 LB PLATE
2	1	7464801	BAYONET, MTS, 15 HOLE
3	1	3236001	BUSHING, SPRING PIN
4	1	7356501	PLUG, LANYARD ATTACHMENT
5	1	7353001	ASSY, SELECTOR PIN
6	1	7434401	HEAD PLATE, MTS
7	2	7338001	BUSHING, HEADPLATE
9	1	7523601	CRIMP, CABLE