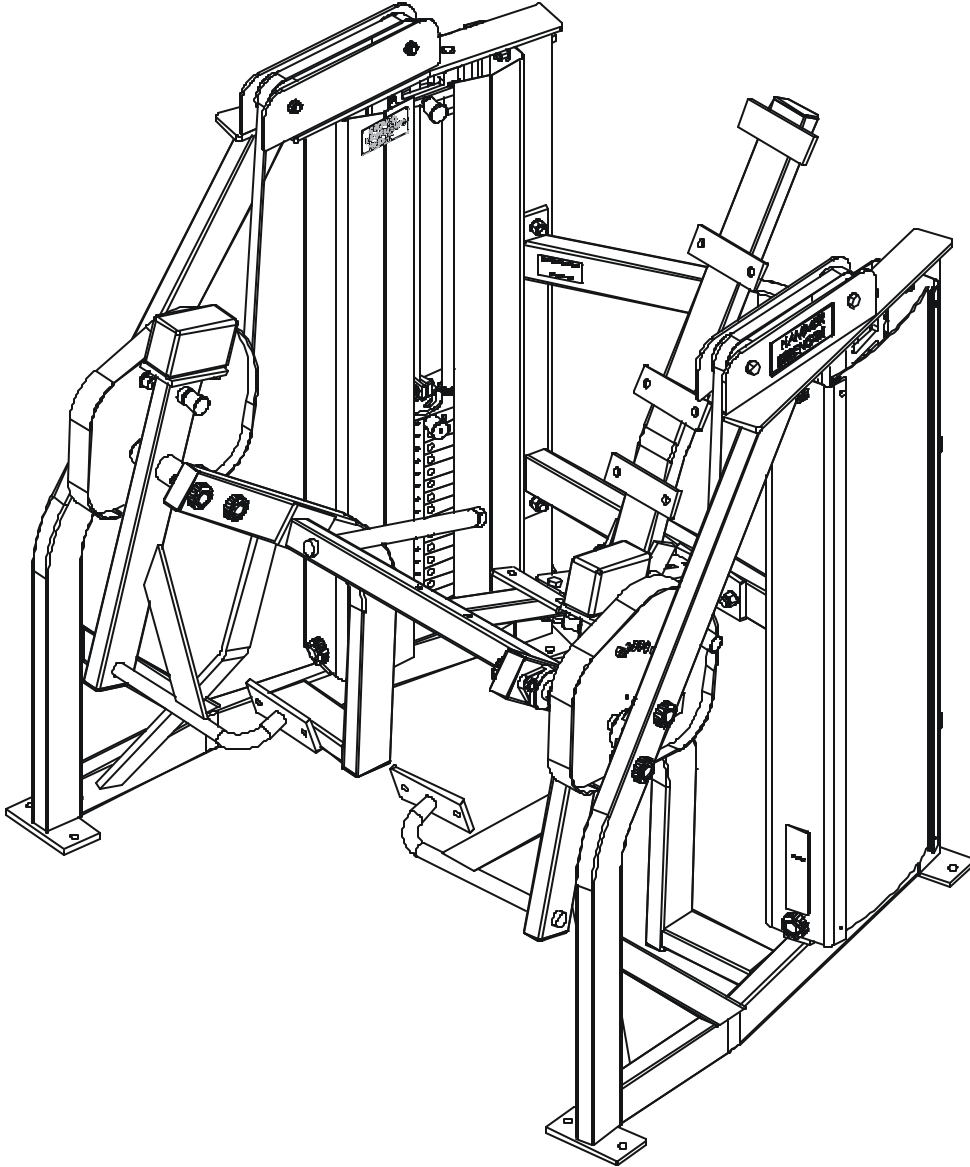


LifeFitness

RAMSEY MTSLE - MOTION TECHNOLOGY SELECTORIZED LEG EXTENSION



Customer Support Services ***PARTS MANUAL***

RAMSEY MTSLE LEG EXTENSION

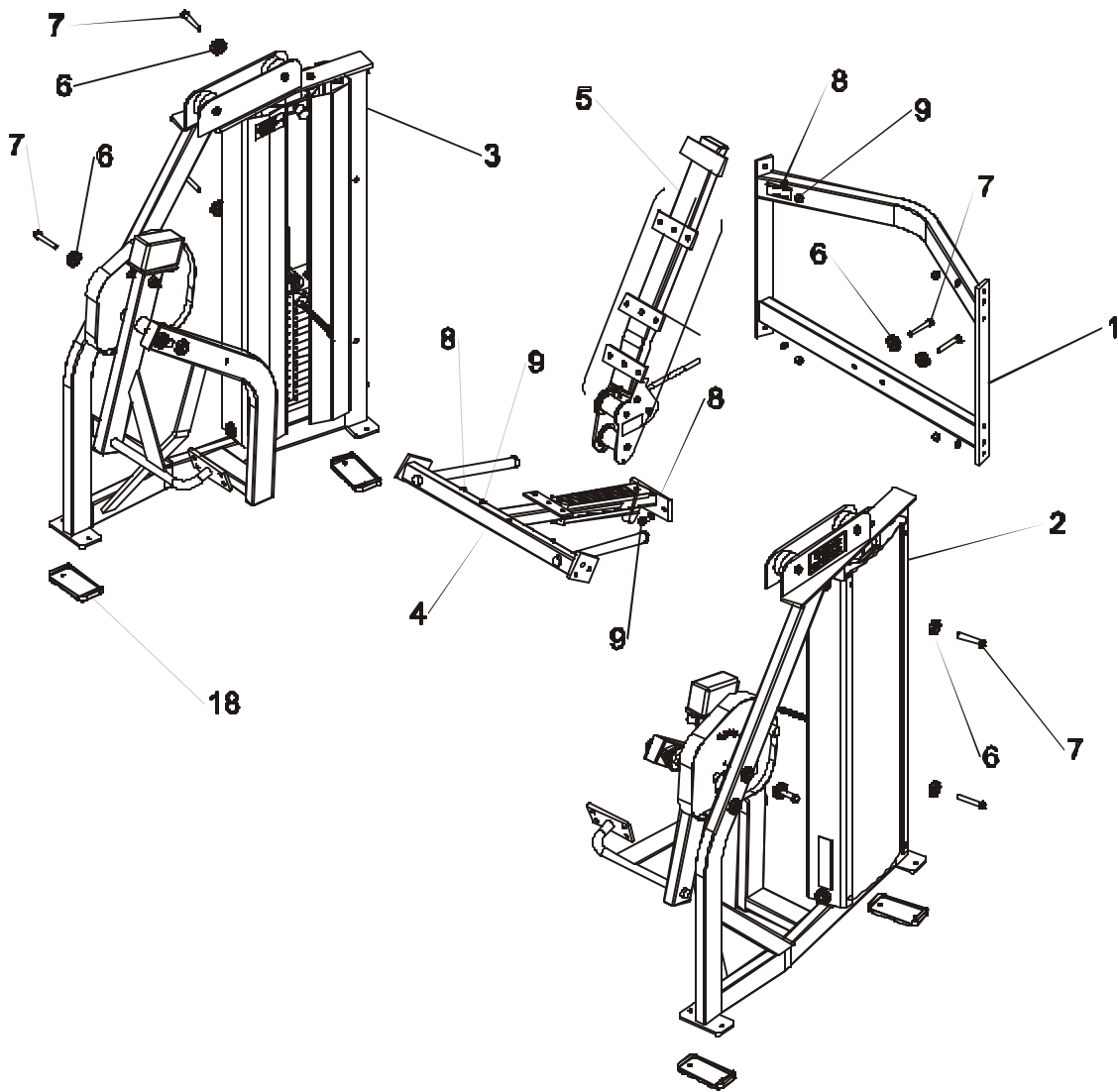
Notes:

RAMSEY MTSLE LEG EXTENSION

Contents

	PAGE
COMPONENT ASSEMBLY	4
RIGHT SIDE ASSEMBLY.....	5
RIGHT SIDE ASSEMBLY CALLOUTS.....	6
LEFT SIDE ASSEMBLY.....	7
LEFT SIDE ASSEMBLY CALLOUTS.....	8
SEAT FRAME ASSEMBLY.....	9
SEAT BACK ASSEMBLY.....	10
WEIGHT STACK ASSEMBLY.....	11

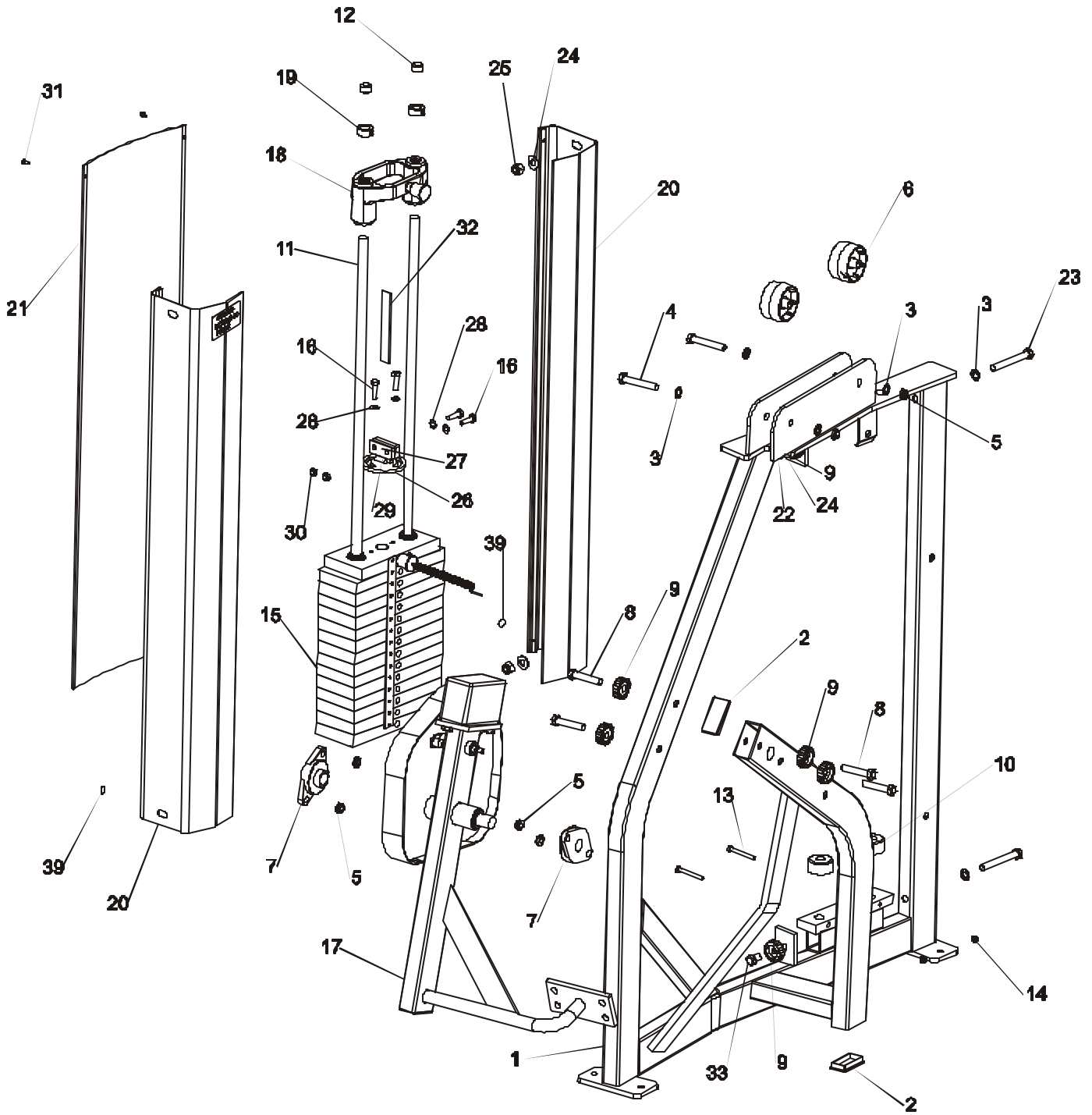
RAMSEY MTSLE LEG EXTENSION COMPONENT ASSEMBLY



ITEM NO.	QTY.	PART NO.	DESCRIPTION
1	1	7519901	WLDMT, MTLE, BACK FRAME
2	1	7521901	ASSY, MTLE, LEFT SIDE
3	1	7522501	ASSY, MTLE, RIGHT SIDE
4	1	7522601	ASSY, MTLE, SEAT FRAME
5	1	7522701	ASSY, MTLE, SEAT BACK
6	8	7434001	WASHER, MTS, HAMMER HEAD
7	8	3239312	1/2-13 X 3.00 UNS HEX FHB G5 ZN
8	8	3239505	WSH. .500 IN-D ST ZN
9	8	3102801	NUT, NYLOCK
10	1	7398801	PAD, BACK 25 X 11-1/4
11	1	7399201	PAD, SEAT 21 X 20-1/16
12	1	7399300	PAD, 7 X 11-1/4
13	2	7499601	PAD, 9 X 6-1/2
14	14	3236601	WASHER, 3/8 SAE SS
15	2	3236212	SCREW, M10 X1.5 75MM
16	12	3236204	SCREW, M10 X1.5 35MM
17	1	M051-00299-A000	HAMMER PATENT DECAL
18	4	7388201	Footpad, PS Rubber

RAMSEY MTSLE LEG EXTENSION

RIGHT SIDE ASSEMBLY



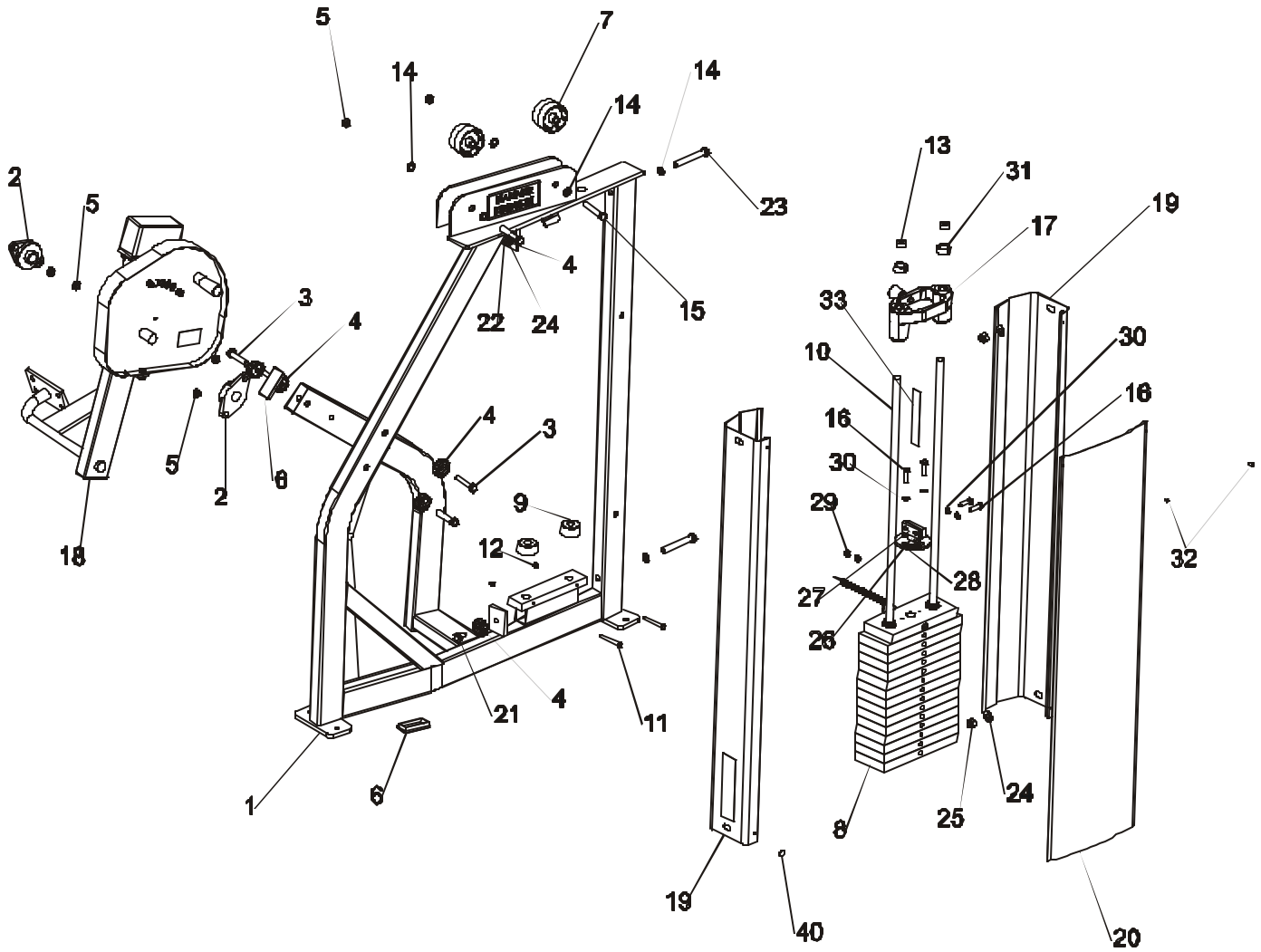
RAMSEY MTSLE LEG EXTENSION

RIGHT SIDE ASSEMBLY CALLOUTS

ITEM NO.	QTY.	PART NO.	DESCRIPTION
1	1	7519801	WLDMT, MTLE, RIGHT SIDE
2	2	7477401	CAP. END, 1-1/2 X 3, 11GA SGRY
3	6	3239505	WSH, .500 IN-D ST ZN
4	2	3239312	1/2-13 X 3.00 UNS HEX FHB G5 ZN
5	6	3102804	NUT, NYLOCK
6	2	7594601	PULLEY, MTS, 3" BELT
7	2	3239901	BEARING, 2 HOLE FLANGE, 1" ID
8	4	3239310	1/2-13 X2.50 UNS HEX FHB G5 ZN
9	6	7434001	WASHER, MTS, HAMMER HEAD
10	2	7352101	CUSHION, WEIGHT STACK
11	2	7328613	GUIDE ROD, .75 OD SOLID 43.25
12	2	3242701	CAP, END, .75 X .50. RD, BLACK
13	2	3223809	1/4-20 UNS HEX FHB G5 ZN
14	2	3102806	NUT, NYLOCK 1/4-20 ZN
15	1	7464701	ASSY, MTS, 150 LB STACK
16	4	3223302	3/8-16 X 16 HEX HEAD BOLT
17	1	7522301	ASSY, MTLE, ARM RIGHT
18	1	7459901	ASSY, MTS, INCREMENT WEIGHT
19	2	3103301	SHAFT COLLAR, 3/4 I.D. ZINC
20	2	7465104	SHROUD, MTS, SIDE 44.63" SGRY
21	1	7435605	PANEL, MTS, PLASTIC 44.63"
22	1	3239305	1/2-13 X 1.25 UNS HEX FHB G5 ZN
23	2	3239316	1/2-13 X 4.00 UNS HEX FHB G5 ZN
24	3	3102507	WASHER, TYPE A PLAIN
25	2	3102801	NUT, NYLOCK
26	1	7436595	WLDMT, MTS, BELT ATTACH LH
27	1	7435295	PLATE, MTS, BELT CLAMP
28	4	3239503	WSH, .375 IN-D ST ZN
29	1	7435101	SHAFT, 3/8" DIA SS, BELT WRAP
30	2	3102807	NUT, NYLOCK 3/8-16 LOW HT
31	2	0017-00101-1587	SHIELD RIVET
32	1	7435701	BELT, SPOOLED, W15/16, T.09
33	1	3239303	1/2-13 X .75 UNS HEX FHB G5 ZN
34	1	7422003	LABEL, MOVING PARTS
35	1	M051-00294-A000	WEIGHT STACK NUMBER STRIP
36	1	M051-00297-A000	INCREMENT WT. DECAL (RIGHT)
37	1	M051-00289-A000	HAMMER STRENGTH NAME PLATE
38	1	7488701	LABEL, AXIS OF ROTATION
39	2	7564101	LABEL, MTS, .625 DIA HOLE COVER

RAMSEY MTSLE LEG EXTENSION

LEFT SIDE ASSEMBLY

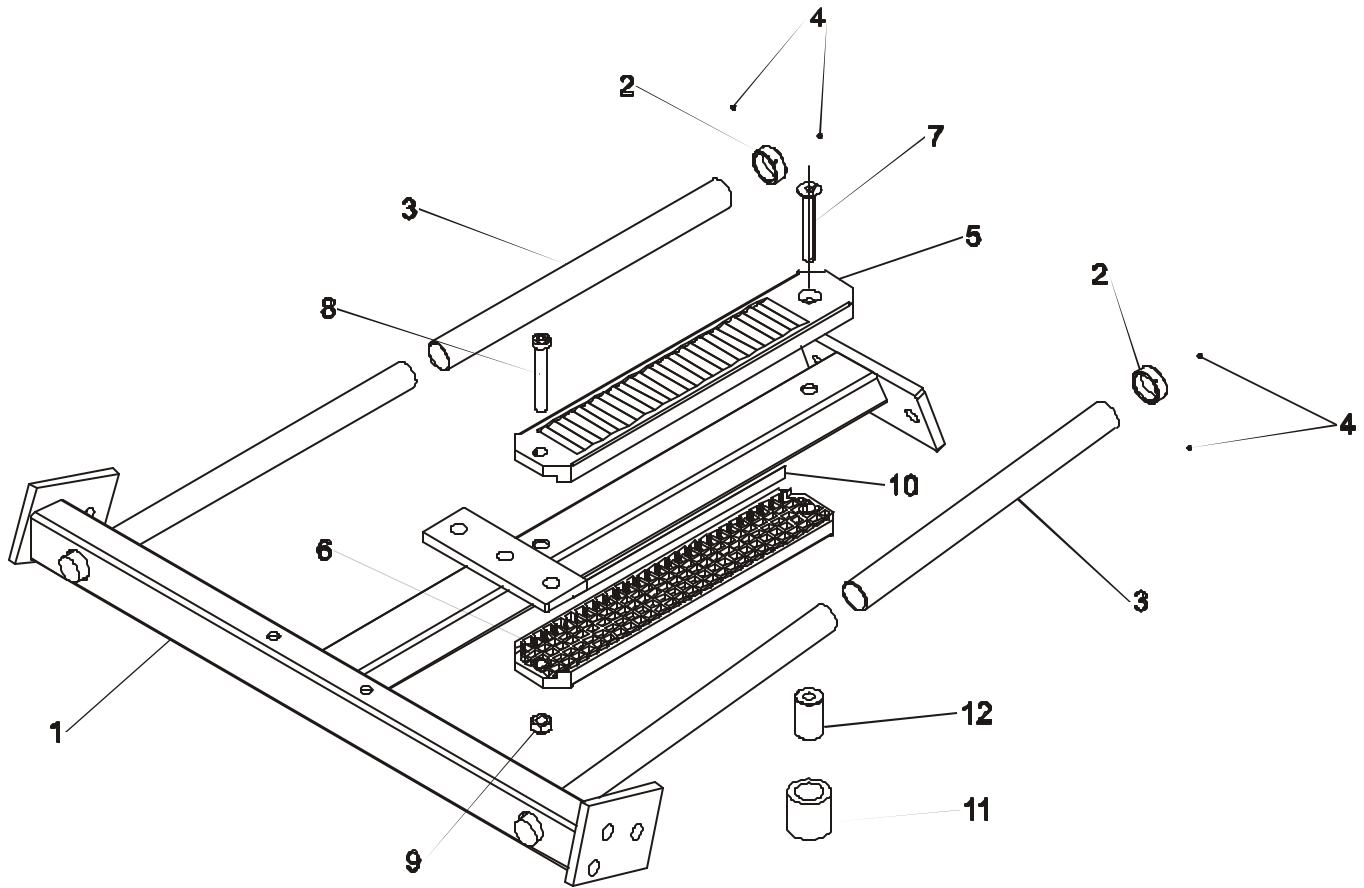


RAMSEY MTSLE LEG EXTENSION

LEFT SIDE ASSEMBLY CALLOUTS

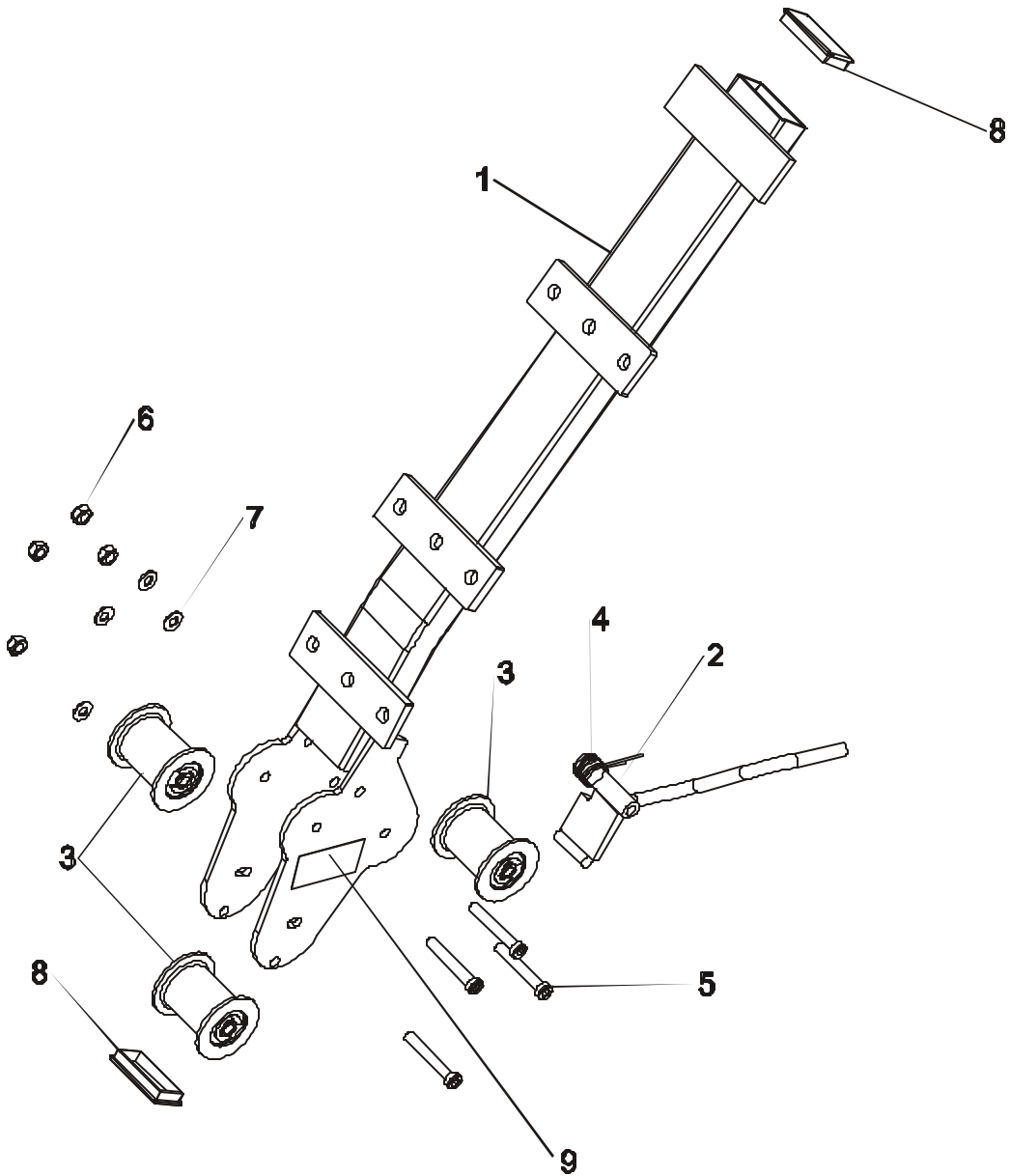
ITEM NO.	QTY.	PART NO.	DESCRIPTION
1	1	7517901	WLDMT, MTLE, LEFT SIDE
2	2	3239901	BEARING, 2 HOLE FLANGE, 1" ID
3	4	3239310	1/2-13 X2.50 UNS HEX FHB G5 ZN
4	6	7434001	WASHER, MTS, HAMMER HEAD
5	6	3102804	NUT, NYLOCK
6	2	7477401	CAP. END, 1-1/2 X 3, 11GA SGRY
7	2	7594601	PULLEY, MTS, 3" BELT
8	1	7464701	ASSY, MTS, 150 LB STACK
9	2	7352101	CUSHION, WEIGHT STACK
10	2	7328613	GUIDE ROD, .75 OD SOLID 43.25
11	2	3223809	1/4-20 UNS HEX FHB G5 ZN
12	2	3102806	NUT, NYLOCK 1/4-20 ZN
13	2	3242701	CAP, END, .75 X .50. RD, BLACK
14	6	3239505	WSH, .500 IN-D ST ZN
15	2	3239312	1/2-13 X 3.00 UNS HEX FHB G5 ZN
16	4	3223302	3/8-16 X 16 HEX HEAD BOLT
17	1	7459901	ASSY, MTS, INCREMENT WEIGHT
18	1	7522001	ASSY, MTLE, ARM LEFT
19	2	7465104	SHROUD, MTS, SIDE 44.63" SGRY
20	1	7435605	PANEL, MTS, PLASTIC 44.63"
21	1	3239303	1/2-13 X .75 UNS HEX FHB G5 ZN
22	1	3239305	1/2-13 X 1.25 UNS HEX FHB G5 ZN
23	2	3239316	1/2-13 X 4.00 UNS HEX FHB G5 ZN
24	3	3102507	WASHER, TYPE A PLAIN
25	2	3102801	NUT, NYLOCK
26	1	7435101	SHAFT, 3/8" DIA SS, BELT WRAP
27	1	7435295	PLATE, MTS, BELT CLAMP
28	1	7434895	WLDMT, MTS, BELT ATTACH
29	2	3102807	NUT, NYLOCK 3/8-16 LOW HT
30	4	3239503	WSH, .375 IN-D ST ZN
31	2	3103301	SHAFT COLLAR, 3/4 I.D. ZINC
32	2	0017-00101-1587	SHIELD RIVET
33	1	7435701	BELT, SPOOLED, W15/16, T.09
34	1	7422003	LABEL, MOVING PARTS
35	1	M051-00294-A000	WEIGHT STACK NUMBER STRIP
36	1	M051-00298-A000	INCREMENT WT. DECAL (LEFT)
37	1	7422004	LABEL, 2" ASTM WARN
38	1	M051-00289-A000	HAMMER STRENGTH NAME PLATE
39	1	7488701	LABEL, AXIS OF ROTATION
40	2	7564101	LABEL, MTS, .625 DIA HOLE COVER

RAMSEY MTSLE LEG EXTENSION SEAT FRAME ASSEMBLY



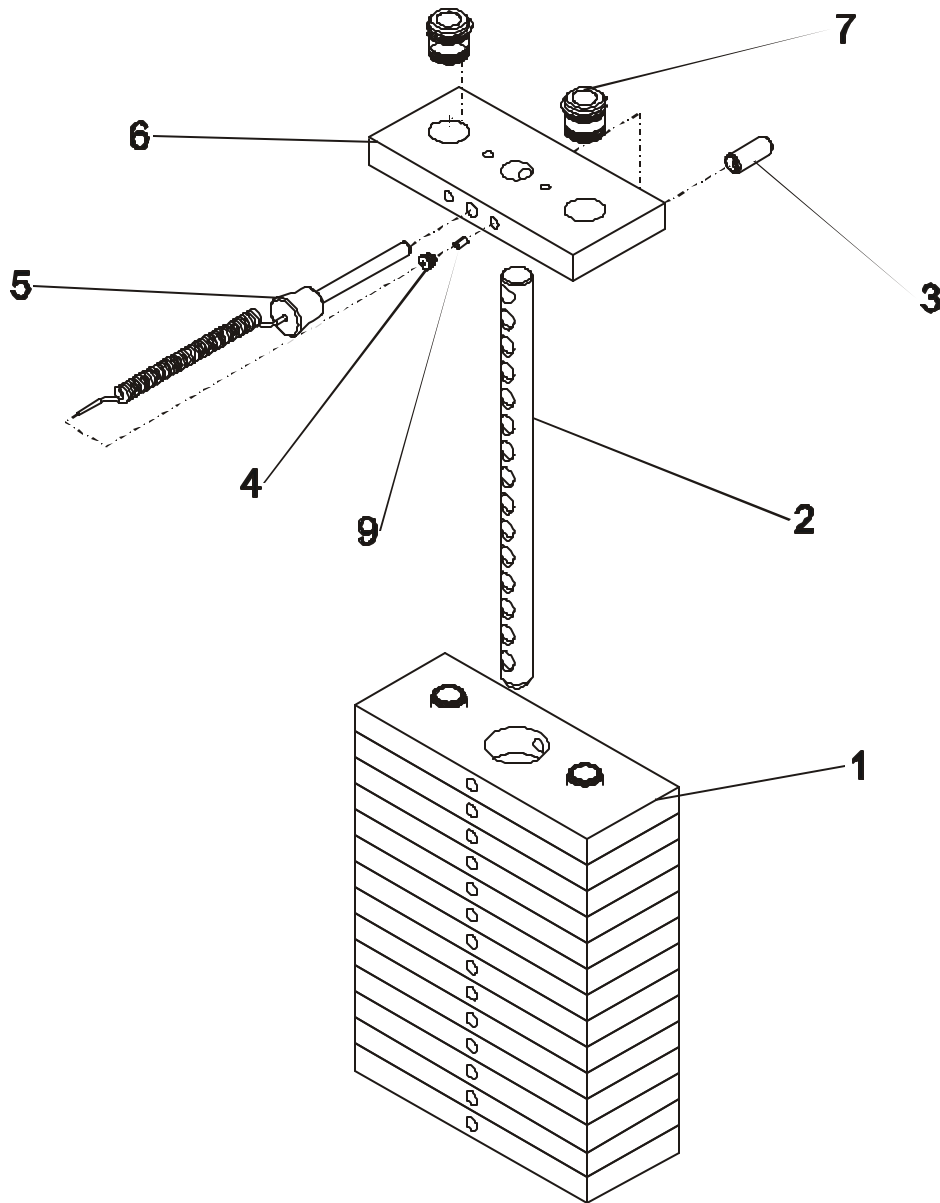
ITEM NO.	QTY.	PART NO.	DESCRIPTION
1	1	7520301	WLDMT, MTLE, SEAT FRAME
2	2	7306901	CAP, GRIP 1.25 OD
3	2	3235801	GRIP, SHADOW GRAY, 13"
4	4	3237201	M3 X .5 HXS NO CUP ST BO
5	1	7564301	SEATRACK, ROLLER SERRATED
6	1	7564401	SEATRACK, FLAT
7	1	3238312	M10x1.5x75mm
8	1	3236211	SCREW, M10 X1.5 70MM
9	1	3236801	NUT, M10 HEX NYLOCK SS
10	1	7422002	LABEL, SEAT ADJUST
11	1	3235802	GRIP, SHADOW GRAY, 1.5"
12	1	7570601	STOP, ROLLER SEAT

RAMSEY MTSLE LEG EXTENSION SEAT BACK ASSEMBLY



ITEM NO.	QTY.	PART NO.	DESCRIPTION
1	1	7520701	WLDMT, MTS, SEAT BACK
2	1	7387595	WELDMNT, PS-ROLLER SEAT HANDLE
3	3	7564201	ASSY, SEAT ROLLER
4	1	7442701	SPRNG, PRO2 HANDLE TORSION
5	4	3236211	SCREW, M10 X1.5 70MM
6	4	3236801	NUT, M10 HEX NYLOCK SS
7	4	3236601	WASHER, 3/8 SAE SS
8	2	7477401	CAP. END, 1-1/2 X 3, 11GA SGRY
9	1	7422001	LABEL, SEAT INST

RAMSEY MTSLE LEG EXTENSION WEIGHT STACK ASSEMBLY 150 LBS



ITEM NO.	QTY.	PART NO.	DESCRIPTION
1	14	7353701	ASSY, 10 LB PLATE
2	1	7464801	BAYONET, MTS, 15 HOLE
3	1	3236001	BUSHING, SPRING PIN
4	1	7356501	PLUG, LANYARD ATTACHMENT
5	1	7353001	ASSY, SELECTOR PIN
6	1	7434401	HEAD PLATE, MTS
7	2	7338001	BUSHING, HEADPLATE
9	1	7523601	CRIMP, CABLE