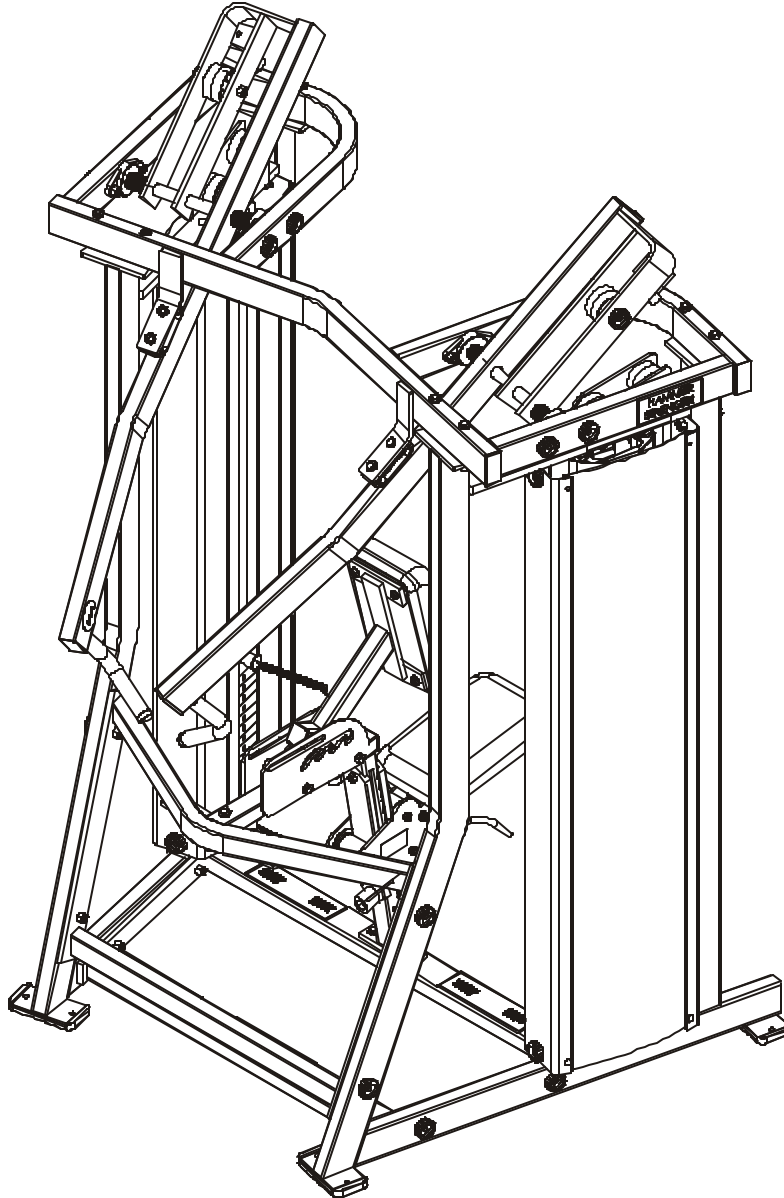


# *LifeFitness*

## RAMSEY MTSRW - MOTION TECHNOLOGY SELECTORIZED ROW PRESS



## Customer Support Services ***PARTS MANUAL***

# RAMSEY MTSRW ROW PRESS

Notes:

---

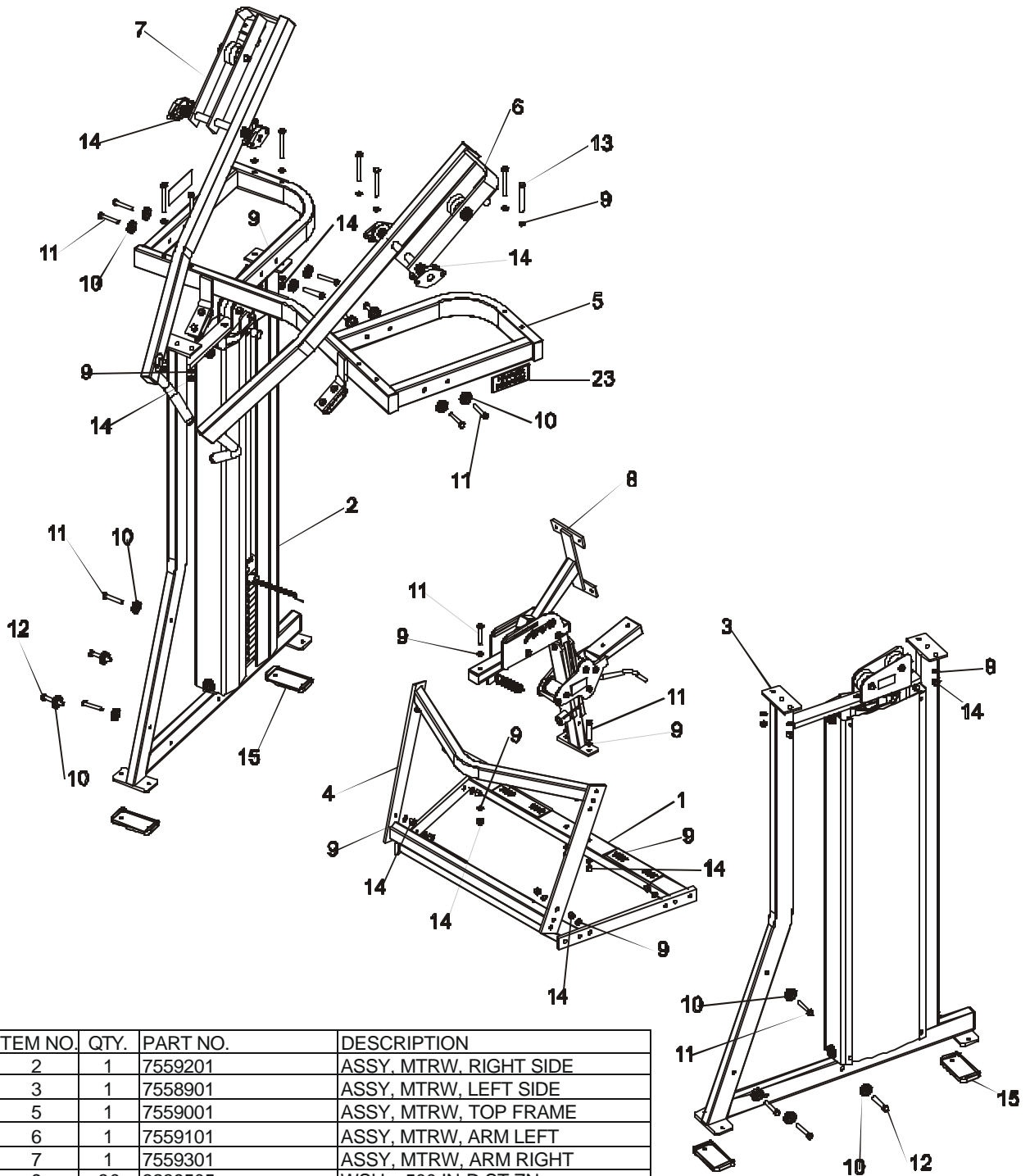
# RAMSEY MTSRW ROW PRESS

## Contents

---

	<b>PAGE</b>
COMPONENT ASSEMBLY .....	4
LEFT SIDE ASSEMBLY .....	5
LEFT SIDE ASSEMBLY CALLOUTS .....	6
RIGHT SIDE ASSEMBLY .....	7
RIGHT SIDE ASSEMBLY CALLOUTS .....	8
LEFT ARM ASSEMBLY .....	9
RIGHT ARM ASSEMBLY .....	10
SEAT ASSEMBLY .....	11
TOP FRAME ASSEMBLY .....	12
WEIGHT STACK ASSEMBLY .....	13
PADS .....	14
DECALS .....	15

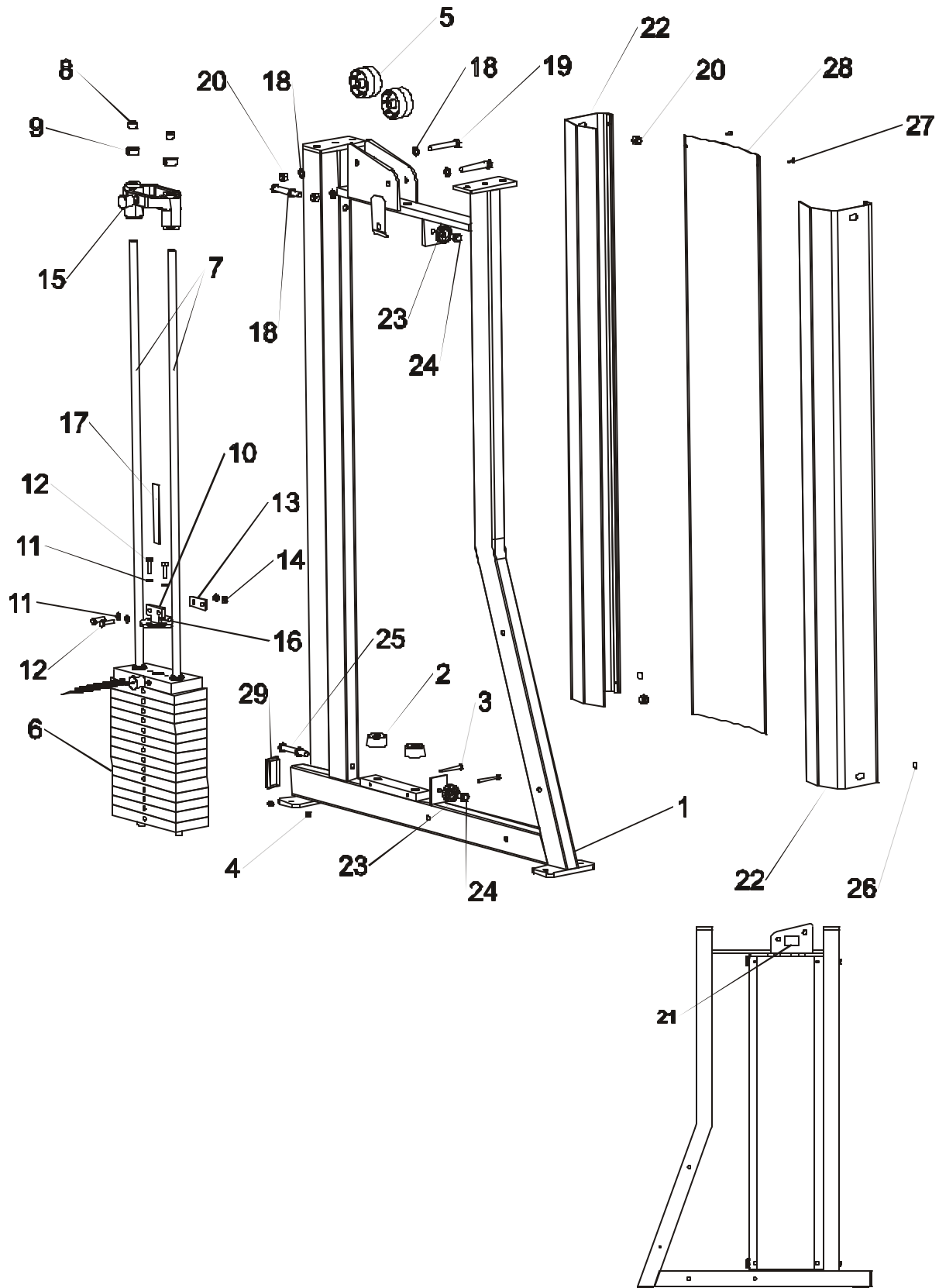
# RAMSEY MTSRW ROW PRESS COMPONENT ASSEMBLY



ITEM NO.	QTY.	PART NO.	DESCRIPTION
2	1	7559201	ASSY, MTRW, RIGHT SIDE
3	1	7558901	ASSY, MTRW, LEFT SIDE
5	1	7559001	ASSY, MTRW, TOP FRAME
6	1	7559101	ASSY, MTRW, ARM LEFT
7	1	7559301	ASSY, MTRW, ARM RIGHT
9	30	3239505	WSH, .500 IN-D ST ZN
10	16	7434001	WASHER, MTS. HAMMER HEAD
11	15	3239311	1/2-13 X 2.75 UNS HEX FHB G5 ZN
12	4	3239312	1/2-13 X 3.00 UNS HEX FHB G5 ZN
13	8	3239317	1/2-13 X 4.25 UNS HEX FHB G5 ZN
14	27	3102801	NUT, NYLOCK
15	4	7388201	Footpad, PS Rubber
23	2	M051-00289-A000	HAMMER STRENGTH NAME PLATE

# RAMSEY MTSRW ROW PRESS

## LEFT SIDE ASSEMBLY



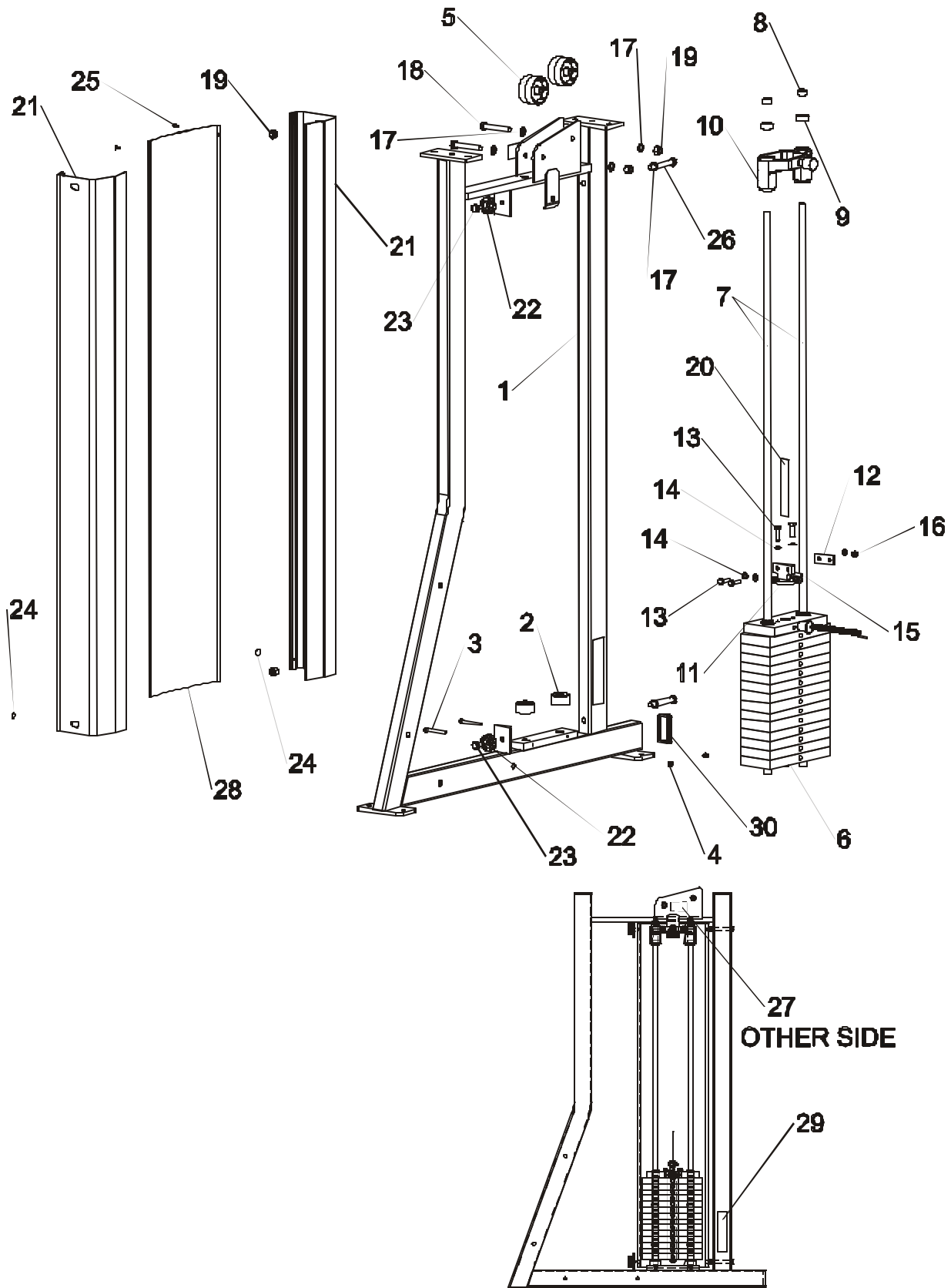
**RAMSEY MTSRW ROW PRESS**  
**LEFT SIDE ASSEMBLY CALLOUTS**

---

ITEM NO.	QTY.	PART NO.	DESCRIPTION
1	1	7557601	WLDMT, MTRW L SIDE FRAME
2	2	7352101	CUSHION, WEIGHT STACK
3	2	3223809	1/4-20 UNS HEX FHB G5 ZN
4	2	3102806	NUT, NYLOCK 1/4-20 ZN
5	2	7594601	PULLEY, MTS, 3" BELT
6	1	7464701	ASSY, MTS, 150 LB STACK
7	2	7328606	GUIDE ROD, .75 OD SOLID 59.63
8	2	3242701	CAP, END, .75 X .50. RD, BLACK
9	2	3103301	SHAFT COLLAR, 3/4 I.D. ZINC
10	1	7434895	WLDMT, MTS, BELT ATTACH
11	4	3239503	WSH, .375 IN-D ST ZN
12	4	3223302	3/8-16 X 16 HEX HEAD BOLT
13	1	7435295	PLATE, MTS, BELT CLAMP
14	2	3102807	NUT, NYLOCK 3/8-16 LOW HT
15	1	7459901	ASSY, MTS, INCREMENT WEIGHT
16	1	7435101	SHAFT, 3/8" DIA SS, BELT WRAP
17	1	7435701	BELT, SPOOLED, W15/16, T.09
18	6	3239505	WSH, .500 IN-D ST ZN
19	2	3239313	1/2-13 X 3.25 UNS HEX FHB G5 ZN
20	4	3102801	NUT, NYLOCK
21	1	7422003	LABEL, MOVING PARTS
22	2	7465105	SHROUD, MTS, SIDE 55.00" SGRY
23	2	7434001	WASHER, MTS, HAMMER HEAD
24	2	3239303	1/2-13 X .75 UNS HEX FHB G5 ZN
25	2	3239315	1/2-13 X 3.75 UNS HEX FHB G5 ZN
26	2	7564101	LABEL, MTS, .625 DIA HOLE COVER
27	2	0017-00101-1587	SHIELD RIVET
28	1	7435606	PANEL, MTS, PLASTIC 59.00"
29	1	7477401	CAP. END, 1-1/2 X 3, 11GA SGRY

# RAMSEY MTSRW ROW PRESS

## RIGHT SIDE ASSEMBLY



**RAMSEY MTSRW ROW PRESS**  
**RIGHT SIDE ASSEMBLY CALLOUTS**

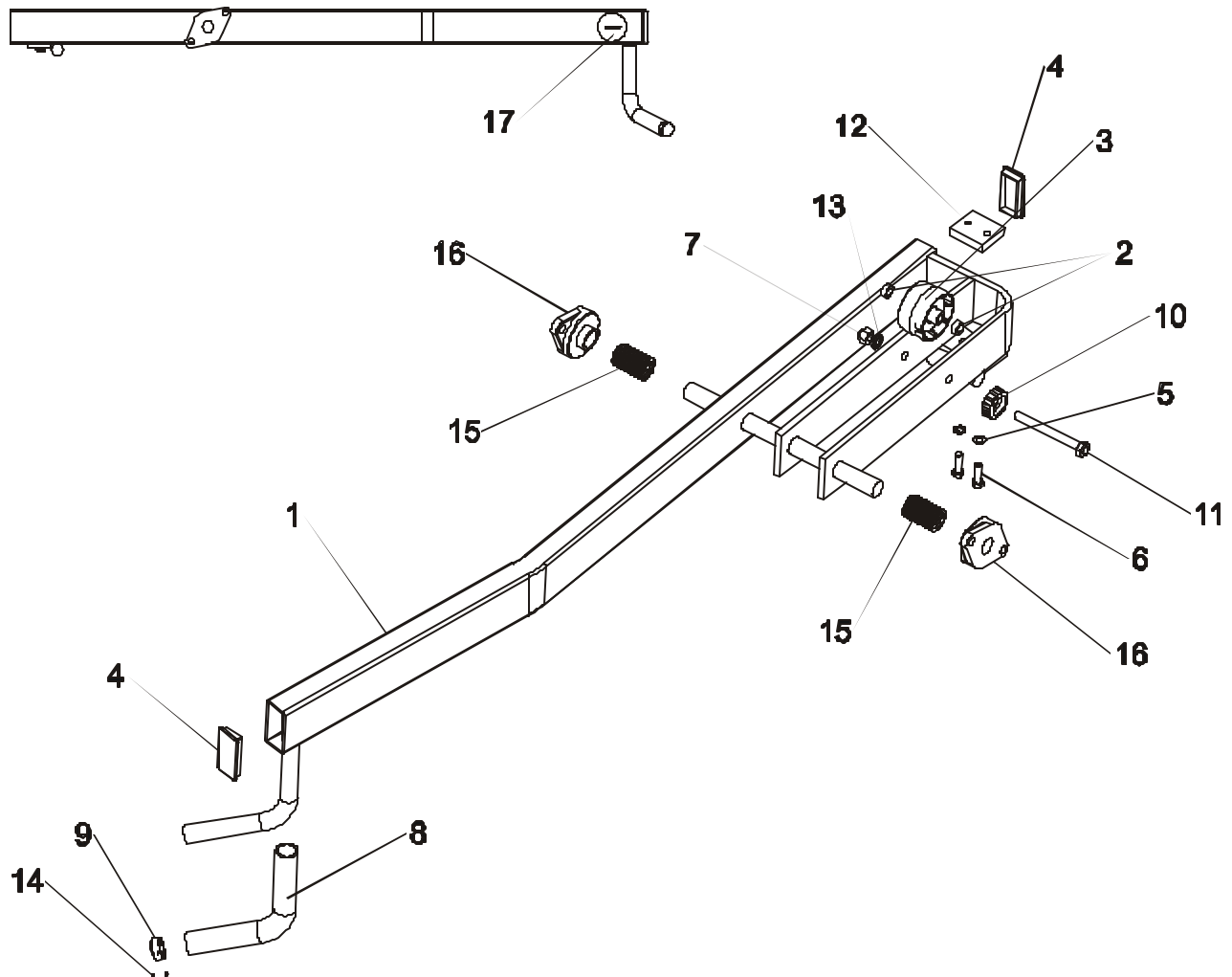
---

ITEM NO.	QTY.	PART NO.	DESCRIPTION
1	1	7557501	WLDMT, MTRW R SIDE FRAME
2	2	7352101	CUSHION, WEIGHT STACK
3	2	3223809	1/4-20 UNS HEX FHB G5 ZN
4	2	3102806	NUT, NYLOCK 1/4-20 ZN
5	2	7594601	PULLEY, MTS, 3" BELT
6	1	7464701	ASSY, MTS, 150 LB STACK
7	2	7328606	GUIDE ROD, .75 OD SOLID 59.63
8	2	3242701	CAP, END, .75 X .50. RD, BLACK
9	2	3103301	SHAFT COLLAR, 3/4 I.D. ZINC
10	1	7459901	ASSY, MTS, INCREMENT WEIGHT
11	1	7436595	WLDMT, MTS, BELT ATTACH LH
12	1	7435295	PLATE, MTS, BELT CLAMP
13	4	3223302	3/8-16 X 16 HEX HEAD BOLT
14	4	3239503	WSH, .375 IN-D ST ZN
15	1	7435101	SHAFT, 3/8" DIA SS, BELT WRAP
16	2	3102807	NUT, NYLOCK 3/8-16 LOW HT
17	6	3239505	WSH, .500 IN-D ST ZN
18	2	3239313	1/2-13 X 3.25 UNS HEX FHB G5 ZN
19	4	3102801	NUT, NYLOCK
20	1	7435701	BELT, SPOOLED, W15/16, T.09
21	2	7465105	SHROUD, MTS, SIDE 55.00" SGRY
22	2	7434001	WASHER, MTS, HAMMER HEAD
23	2	3239303	1/2-13 X .75 UNS HEX FHB G5 ZN
24	2	7564101	LABEL, MTS, .625 DIA HOLE COVER
25	2	0017-00101-1587	SHIELD RIVET
26	2	3239315	1/2-13 X 3.75 UNS HEX FHB G5 ZN
27	1	7422003	LABEL, MOVING PARTS
28	1	7435606	PANEL, MTS, PLASTIC 59.00"
29	1	7422004	LABEL, 2" ASTM WARN
30	1	7477401	CAP. END, 1-1/2 X 3, 11GA SGRY



# RAMSEY MTSRW ROW PRESS

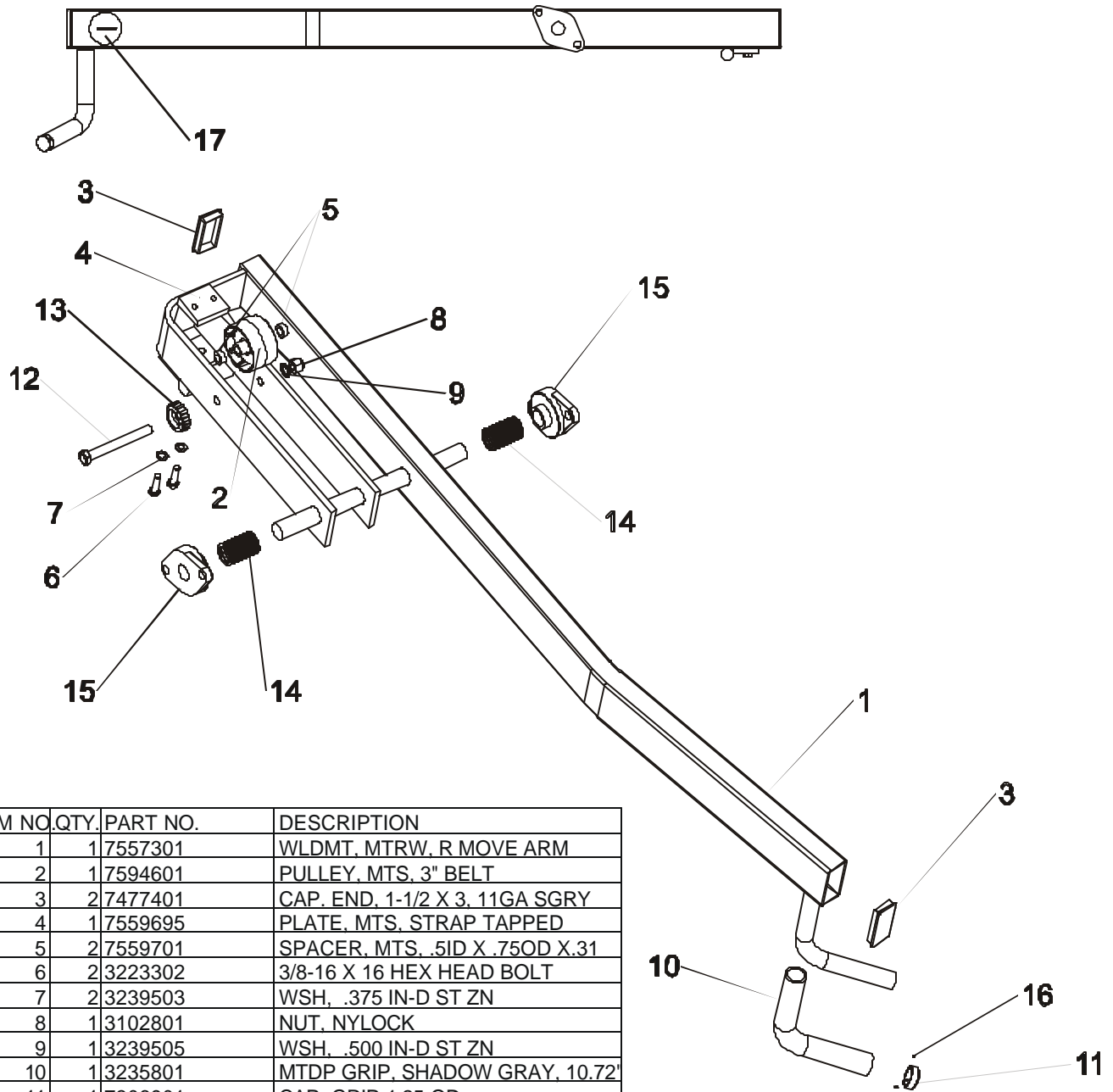
## LEFT ARM ASSEMBLY



ITEM NO.	QTY.	PART NO.	DESCRIPTION
1	1	7555801	WLDMT, MTRW, L MOVE ARM
2	2	7559701	SPACER, MTS, .51D X .75OD X.31
3	1	7594601	PULLEY, MTS, 3" BELT
4	2	7477401	CAP. END, 1-1/2 X 3, 11GA SGRY
5	2	3239503	WSH, .375 IN-D ST ZN
6	2	3223302	3/8-16 X 16 HEX HEAD BOLT
7	1	3102801	NUT, NYLOCK
8	1	3235801	MTDP GRIP, SHADOW GRAY, 10.72"
9	1	7306901	CAP, GRIP 1.25 OD
10	1	7434001	WASHER, MTS, HAMMER HEAD
11	1	3239318	1/2-13 X 4.50 UNS HEX FHB G5 ZN
12	1	7559695	PLATE, MTS, STRAP TAPPED
13	1	3239505	WSH, .500 IN-D ST ZN
14	2	3237201	M3 X .5 HXS NO CUP ST BO
15	2	6912804	SLEEVE, ACCRDN 1.0 ID X 2
16	2	3239901	BEARING, 2 HOLE FLANGE, 1" ID
17	1	M051-00333-A000	HAND PLACEMENT DECAL (LEFT)

# RAMSEY MTSRW ROW PRESS

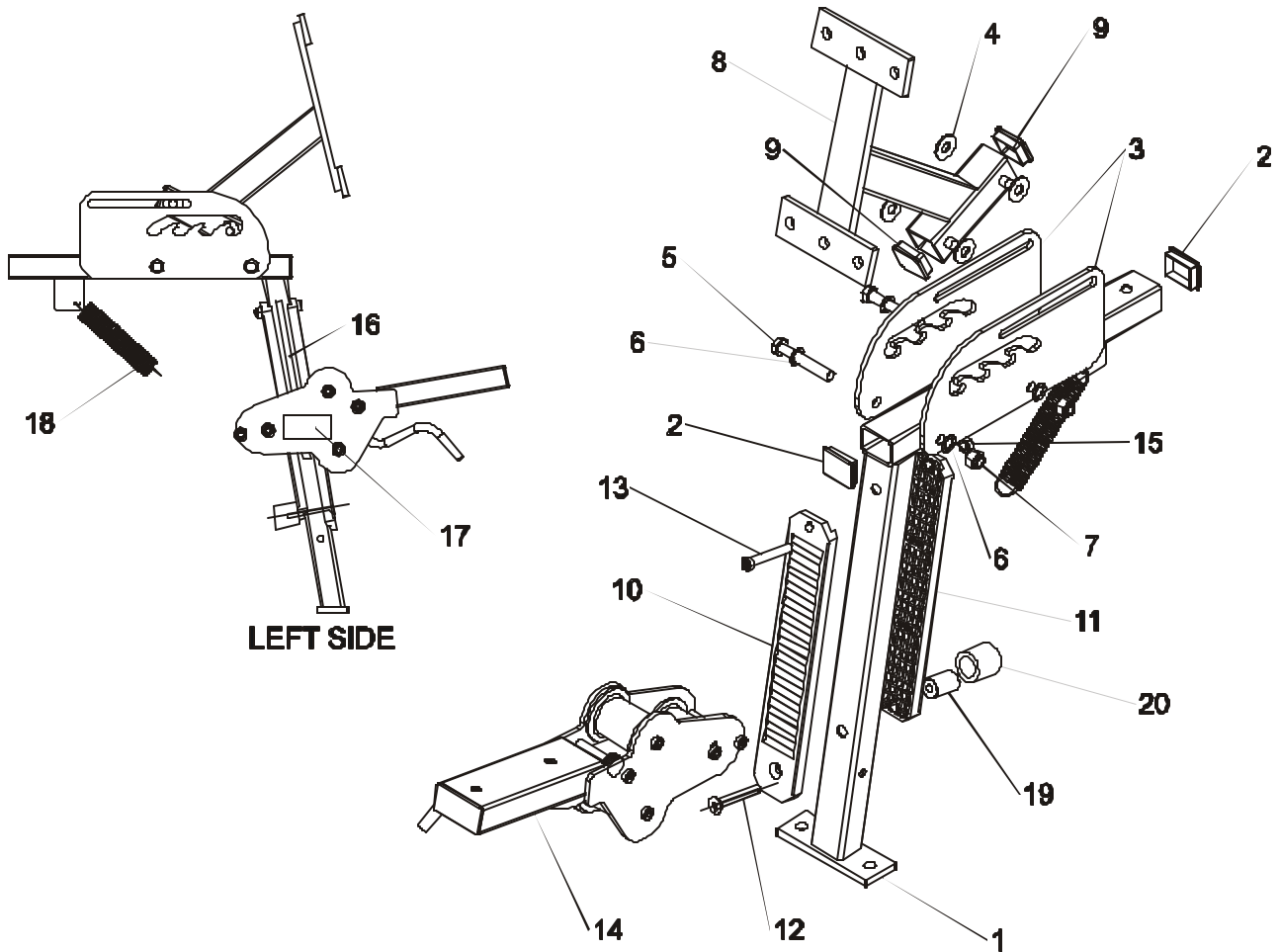
## RIGHT ARM ASSEMBLY



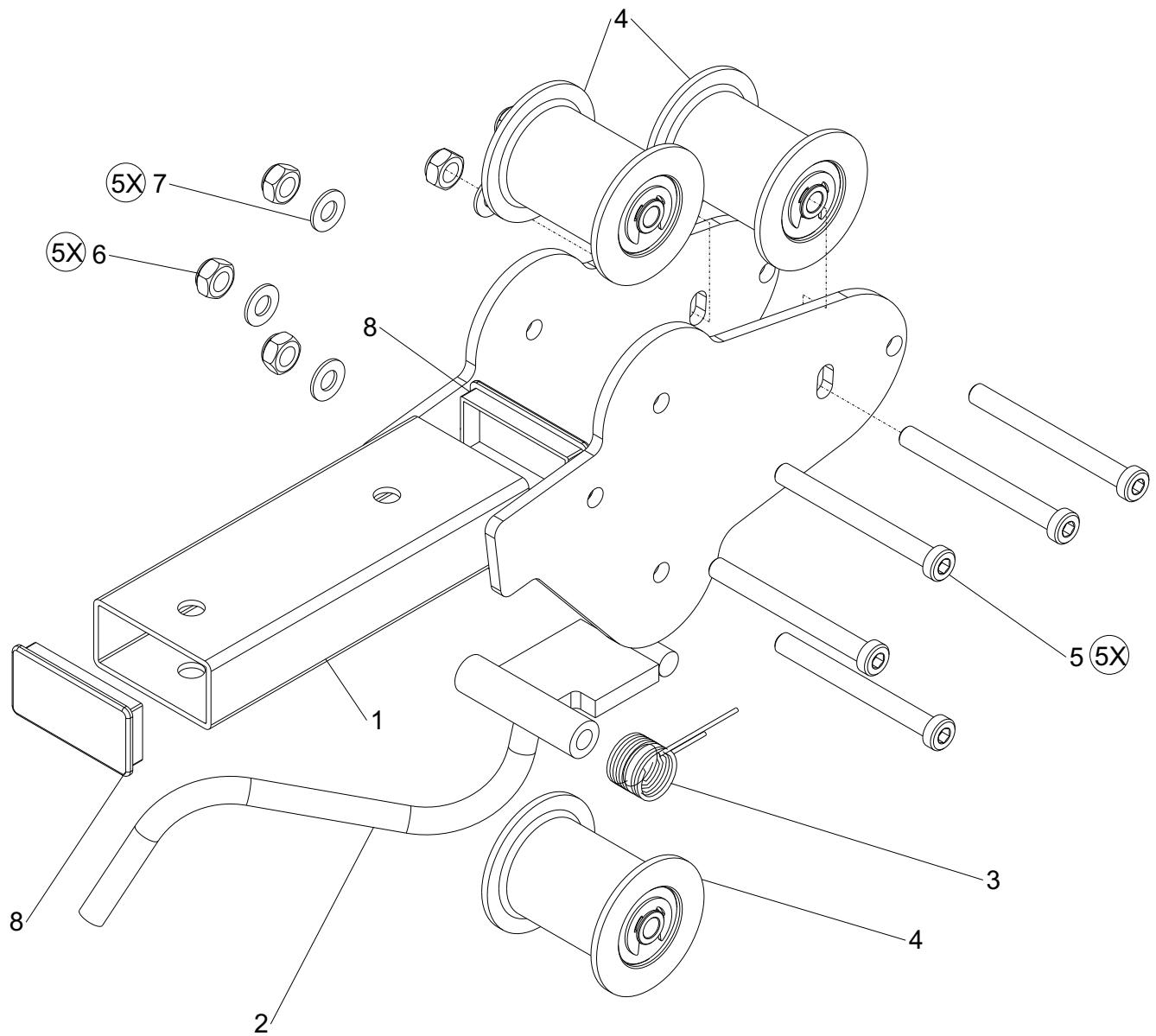
ITEM NO.	QTY.	PART NO.	DESCRIPTION
1	1	7557301	WLDMT. MTRW. R MOVE ARM
2	1	7594601	PULLEY, MTS. 3" BELT
3	2	7477401	CAP. END. 1-1/2 X 3. 11GA SGRY
4	1	7559695	PLATE, MTS. STRAP TAPPED
5	2	7559701	SPACER, MTS. .5ID X .75OD X.31
6	2	3223302	3/8-16 X 16 HEX HEAD BOLT
7	2	3239503	WSH, .375 IN-D ST ZN
8	1	3102801	NUT, NYLOCK
9	1	3239505	WSH, .500 IN-D ST ZN
10	1	3235801	MTDP GRIP, SHADOW GRAY, 10.72'
11	1	7306901	CAP. GRIP 1.25 OD
12	1	3239318	1/2-13 X 4.50 UNS HEX FHB G5 ZN
13	1	7434001	WASHER, MTS, HAMMER HEAD
14	2	6912804	SLEEVE, ACCRDN 1.0 ID X 2
15	2	3239901	BEARING, 2 HOLE FLANGE, 1" ID
16	2	3237201	M3 X .5 HXS NO CUP ST BO
17	1	M051-00334-A000	HAND PLACEMENT DECAL (RIGHT)

# RAMSEY MTSRW ROW PRESS

## SEAT ASSEMBLY



ITEM NO.	QTY.	PART NO.	DESCRIPTION
1	1	7558201	WLDMT, MTRW, SEAT FRAME
2	2	7477301	CAP, END, 1-1/2 X 2, 11GA SGRY
3	2	7453901	PLATE, MTS, CHEST PAD STOP
4	4	0017-00104-0390	WHT TEFLON FLAT WASHER
5	2	3239313	1/2-13 X 3.25 UNS HEX FHB G5 ZN
6	4	3239505	WSH, .500 IN-D ST ZN
7	2	3102801	NUT, NYLOCK
8	1	7452501	WLDMT, MTS, CHEST PAD
9	2	7477501	CAP, END, 1-3/4 SQ, 11GA SGRY
10	1	7564301	SEATRACK, ROLLER SERRATED
11	1	7564401	SEATRACK, FLAT
12	1	3238312	M10x1.5x75mm
13	1	3236211	SCREW, M10 X1.5 70MM
14	1	7464301	ASSY, MTS, 83 SEAT
15	1	3236801	NUT, M10 HEX NYLOCK SS
16	1	7422002	LABEL, SEAT ADJUST
17	1	7422001	LABEL, SEAT INST
18	1	7442601	SPRING, PRO2 ROLLER SEAT
19	1	7570601	STOP, ROLLER SEAT
20	1	3235802	GRIP, SHADOW GRAY, 1.5"

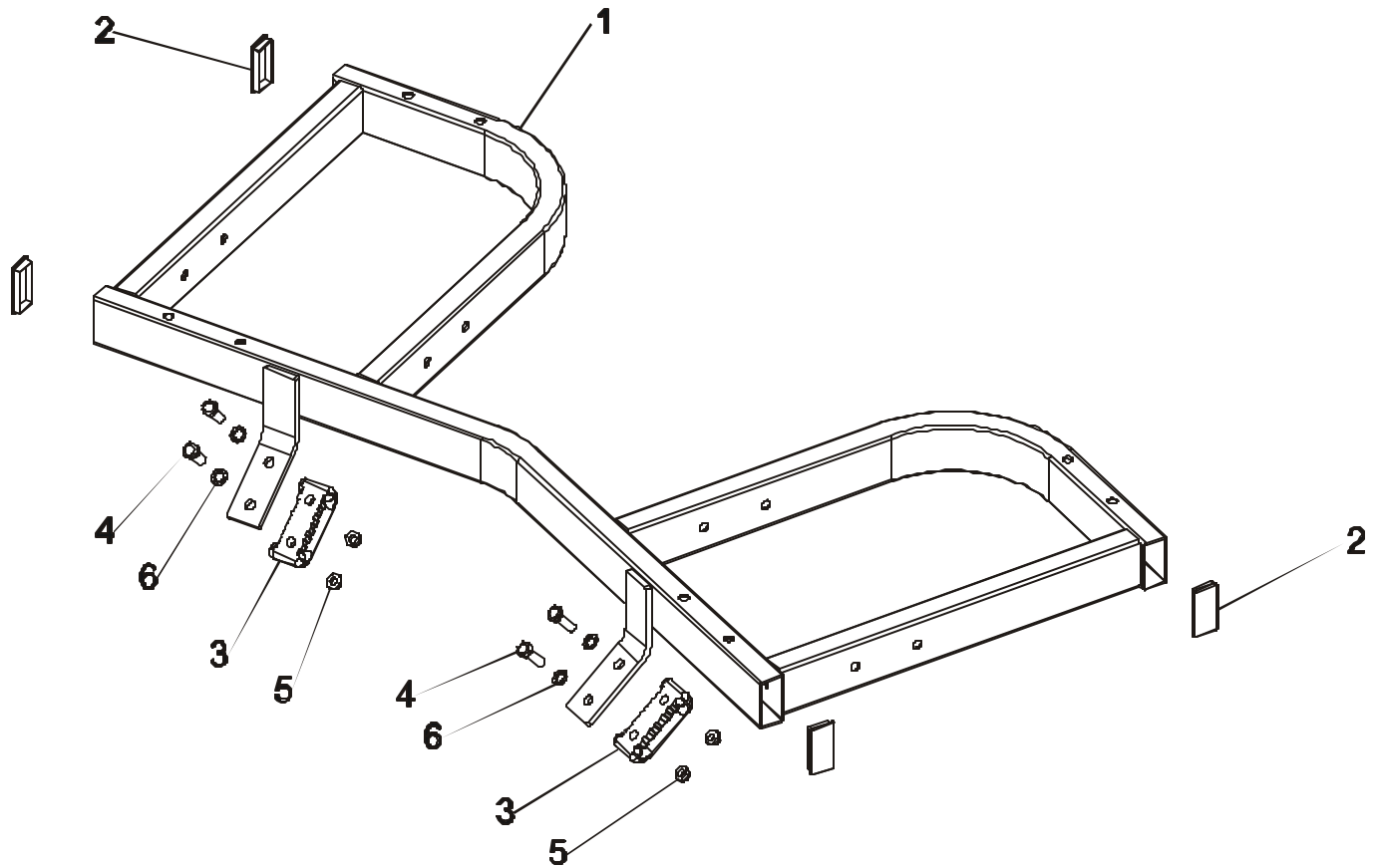


ITEM NO.	QTY.	PART NO.	DESCRIPTION
1	1	7464401	WLDMT, MTS, 83 SEAT
2	1	7387595	WELDMNT, PS-ROLLER SEAT HANDLE
3	1	7442701	SPRNG, PRO2 HANDLE TORSION
4	3	7564201	ASSY, SEAT ROLLER
5	5	3236217	SCREW, M10 X1.5 100MM
6	5	3236801	NUT, M10 HEX NYLOCK SS
7	5	3236601	WASHER, 3/8 SAE SS
8	2	7477401	CAP. END, 1-1/2 X 3, 11GA SGRY

# RAMSEY MTSRW ROW PRESS

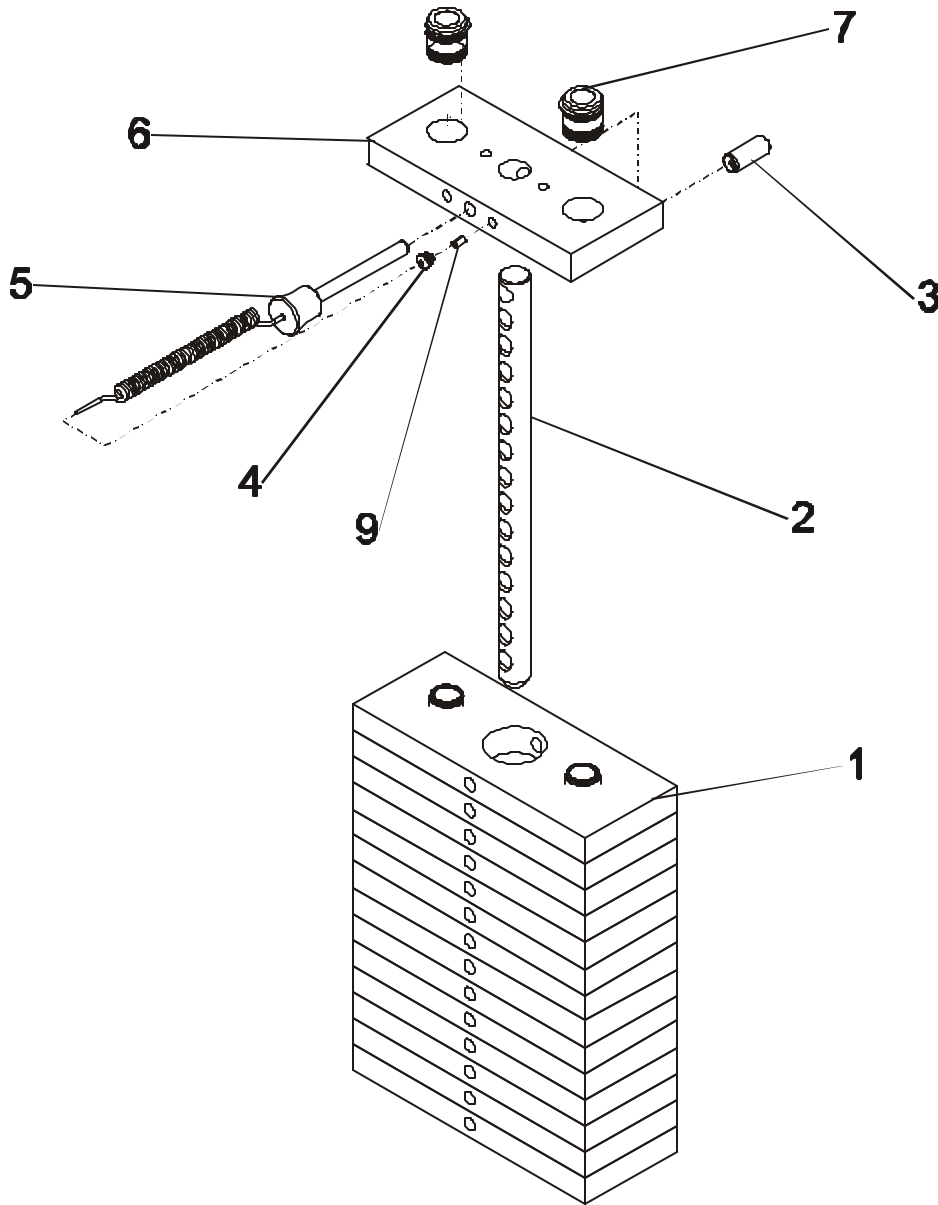
## TOP FRAME ASSEMBLY

---



ITEM NO.	QTY.	PART NO.	DESCRIPTION
1	1	7556801	WLDMT, MTRW, TOP FRAME
2	4	7477401	CAP. END, 1-1/2 X 3, 11GA SGRY
3	2	7352001	BUMPER, 2-1/8 X 4-5/8
4	4	3239306	1/2-13 X 1.50 UNS HEX FHB G5 ZN
5	4	3102804	NUT, NYLOCK
6	4	3239505	WSH, .500 IN-D ST ZN

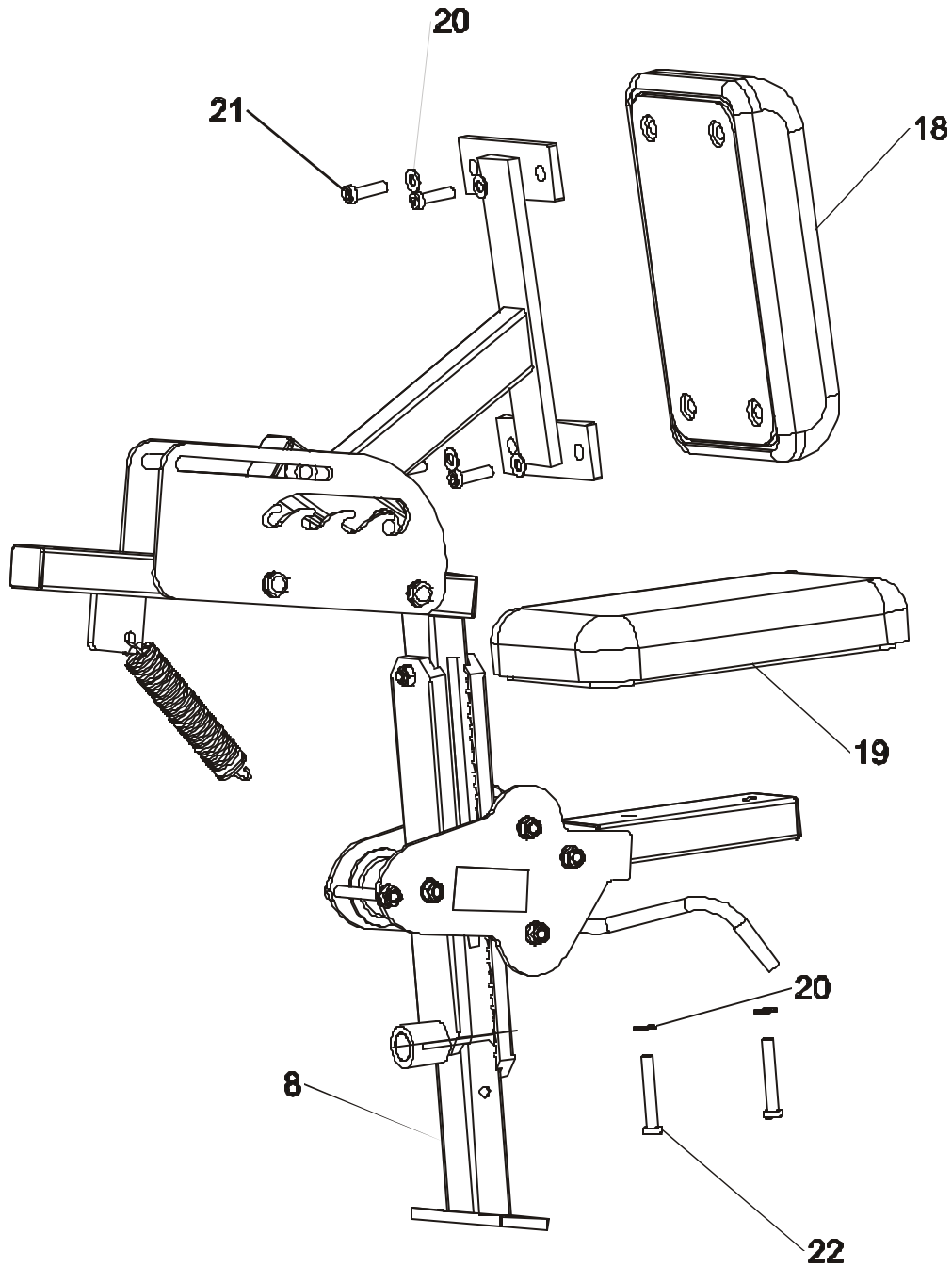
# RAMSEY MTSRW ROW PRESS WEIGHT STACK ASSEMBLY



ITEM NO.	QTY.	PART NO.	DESCRIPTION
1	14	7353701	ASSY, 10 LB PLATE
2	1	7464801	BAYONET, MTS, 15 HOLE
3	1	3236001	BUSHING, SPRING PIN
4	1	7356501	PLUG, LANYARD ATTACHMENT
5	1	7353001	ASSY, SELECTOR PIN
6	1	7434401	HEAD PLATE, MTS
7	2	7338001	BUSHING, HEADPLATE
9	1	7523601	CRIMP, CABLE

# RAMSEY MTSRW ROW PRESS

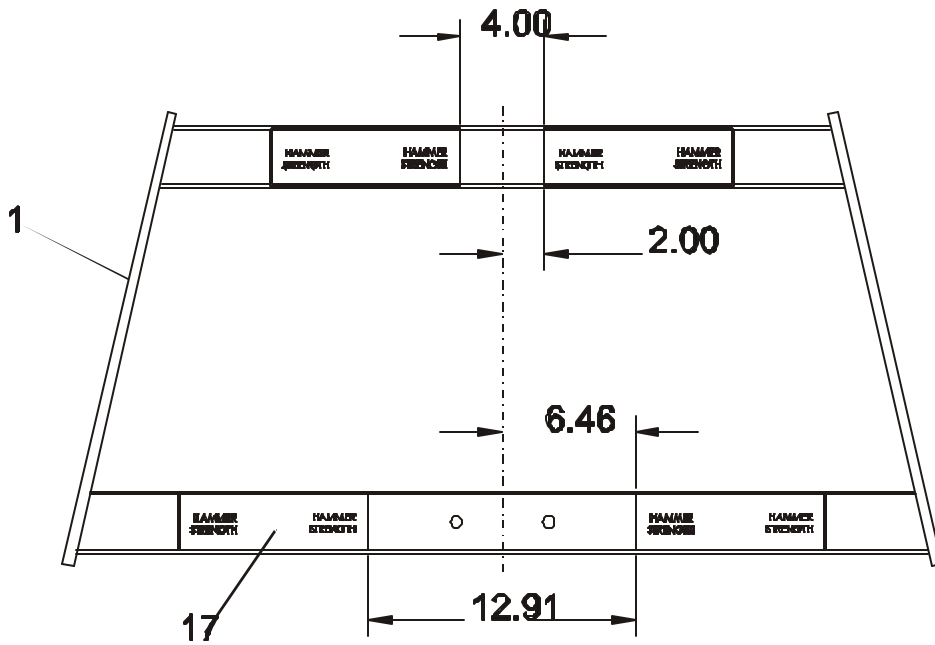
## PADS



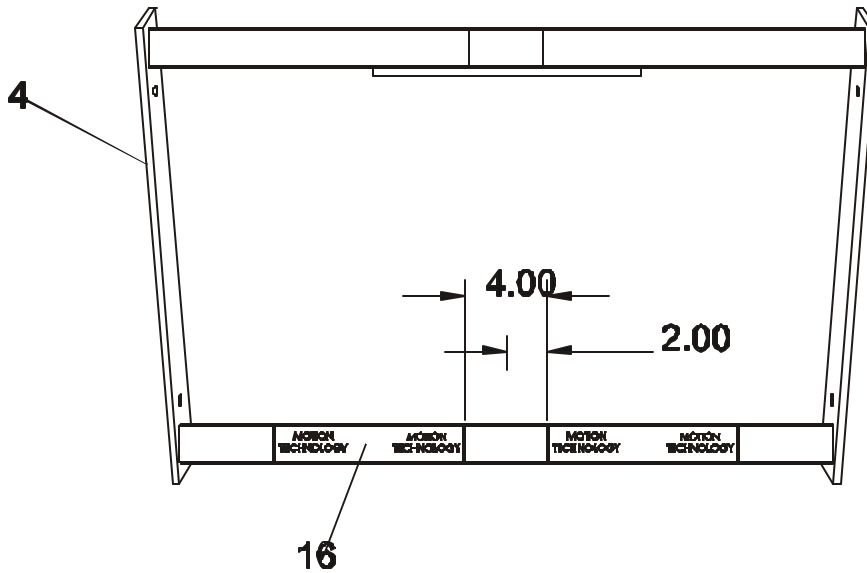
ITEM NO.	QTY.	PART NO.	DESCRIPTION
8	1	7559401	ASSY, MTRW, SEAT
18	1	7501001	PAD, 15 X 7-3/4
19	1	7398901	PAD, SEAT 13-1/4 X 8-1/4
20	6	3236601	WASHER, 3/8 SAE SS
21	4	3236204	SCREW, M10 X1.5 35MM
22	2	3236210	SCREW, M10 X1.5 65MM

# RAMSEY MTSRW ROW PRESS

## DECALS



### DECAL PLACEMENT



ITEM NO.	QTY.	PART NO.	DESCRIPTION
1	1	7556401	WLDMT, MTRW, BOTTOM FRAME
4	1	7558501	WLDMT, MTRW FRONT FRAME
16	2	0017-00042-1045	1.875 X 9.25 FRAME GUARD
17	4	0017-00042-1046	2.75 X 9.25 FRAME GUARD