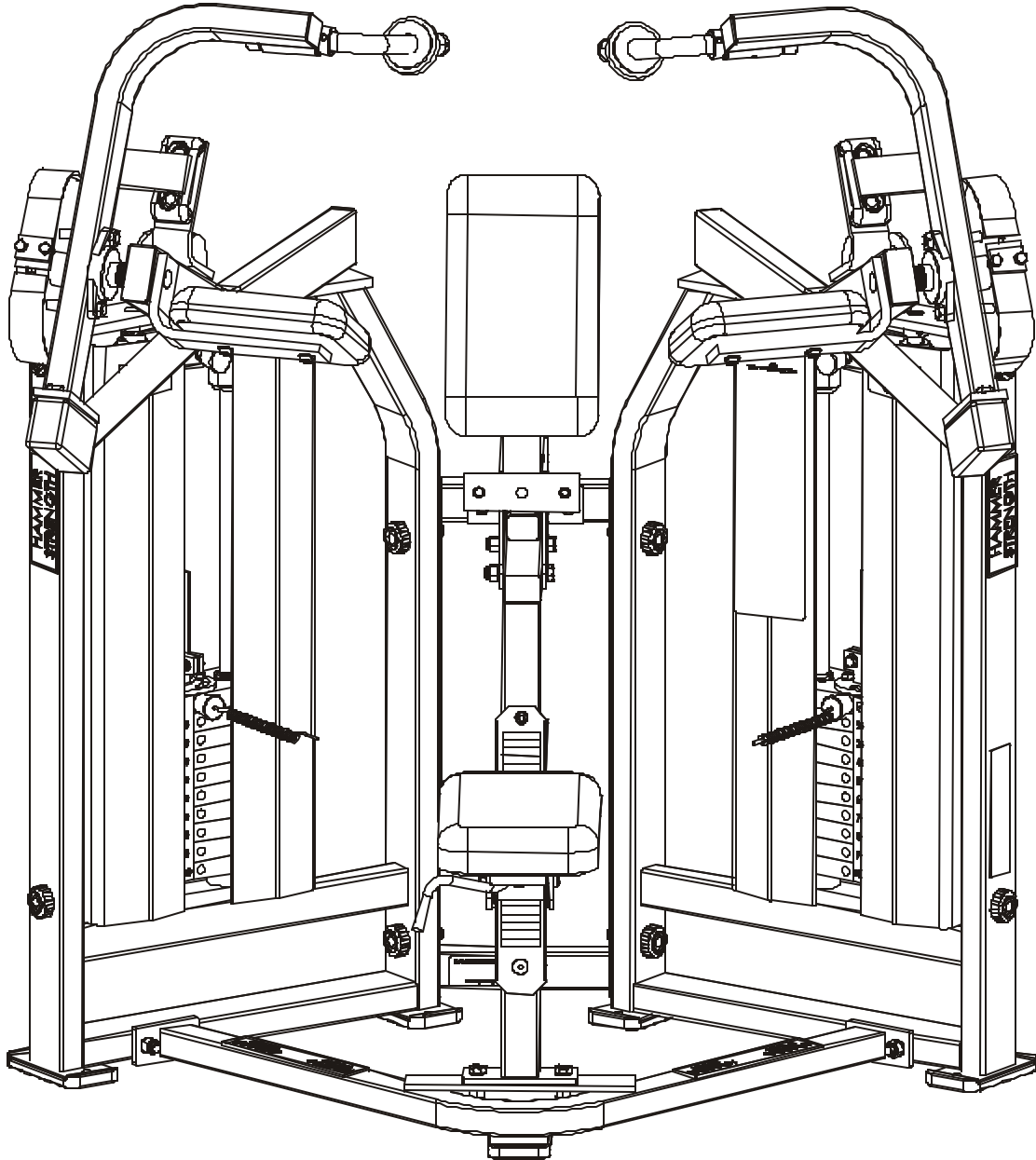


LifeFitness

RAMSEY MTSTE - MOTION TECHNOLOGY SELECTORIZED TRICEP EXTENSION



Customer Support Services ***PARTS MANUAL***

RAMSEY MTSTE TRICEP EXTENSION

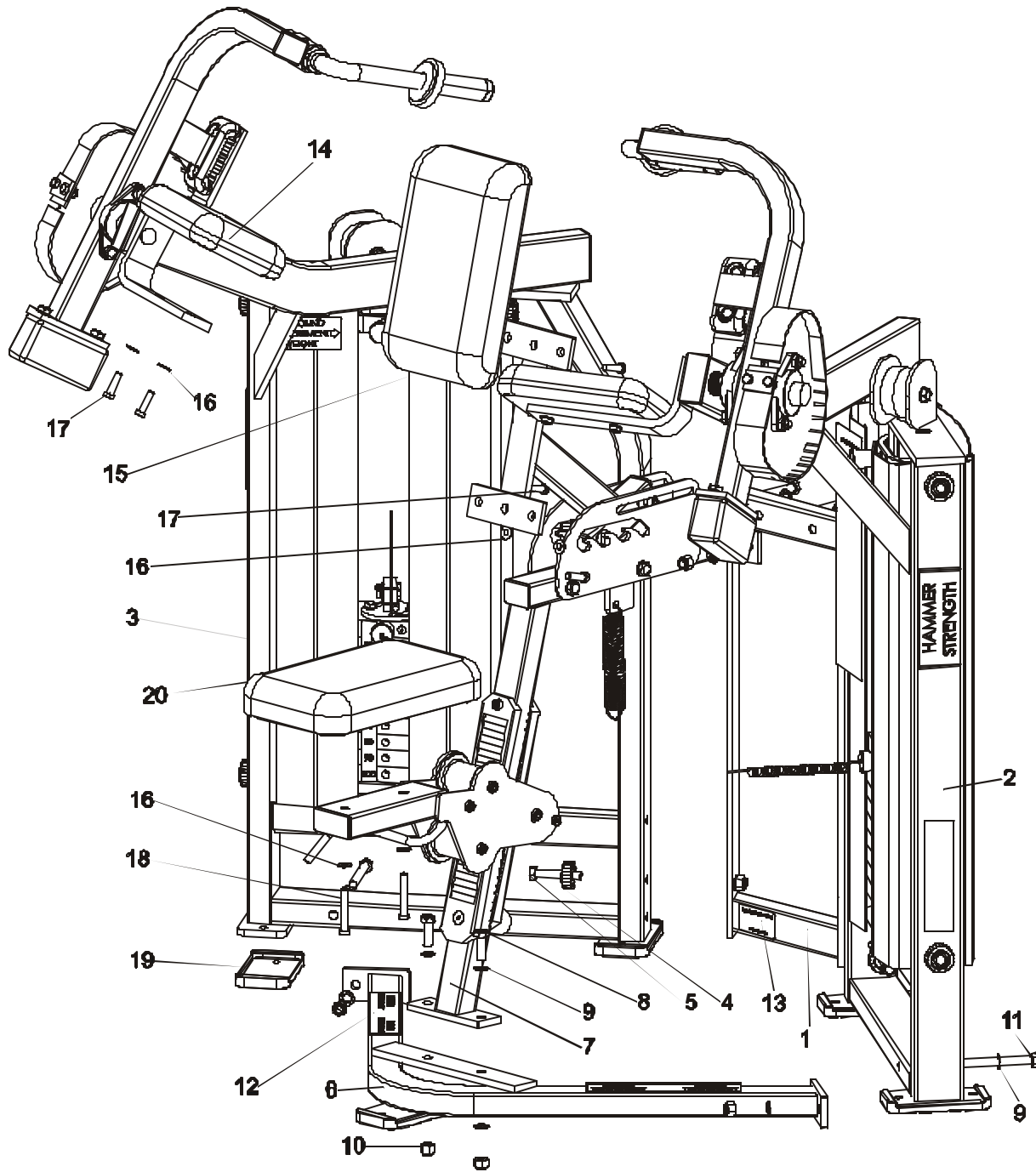
Notes:

RAMSEY MTSTE TRICEP EXTENSION

Contents

	PAGE
COMPONENT ASSEMBLY	4
RIGHT SIDE ASSEMBLY.....	5
RIGHT SIDE ASSEMBLY CALLOUTS.....	6
LEFT SIDE FRAME ASSEMBLY.....	7
LEFT SIDE FRAME ASSEMBLY CALLOUTS.....	8
SEAT FRAME ASSEMBLY.....	9

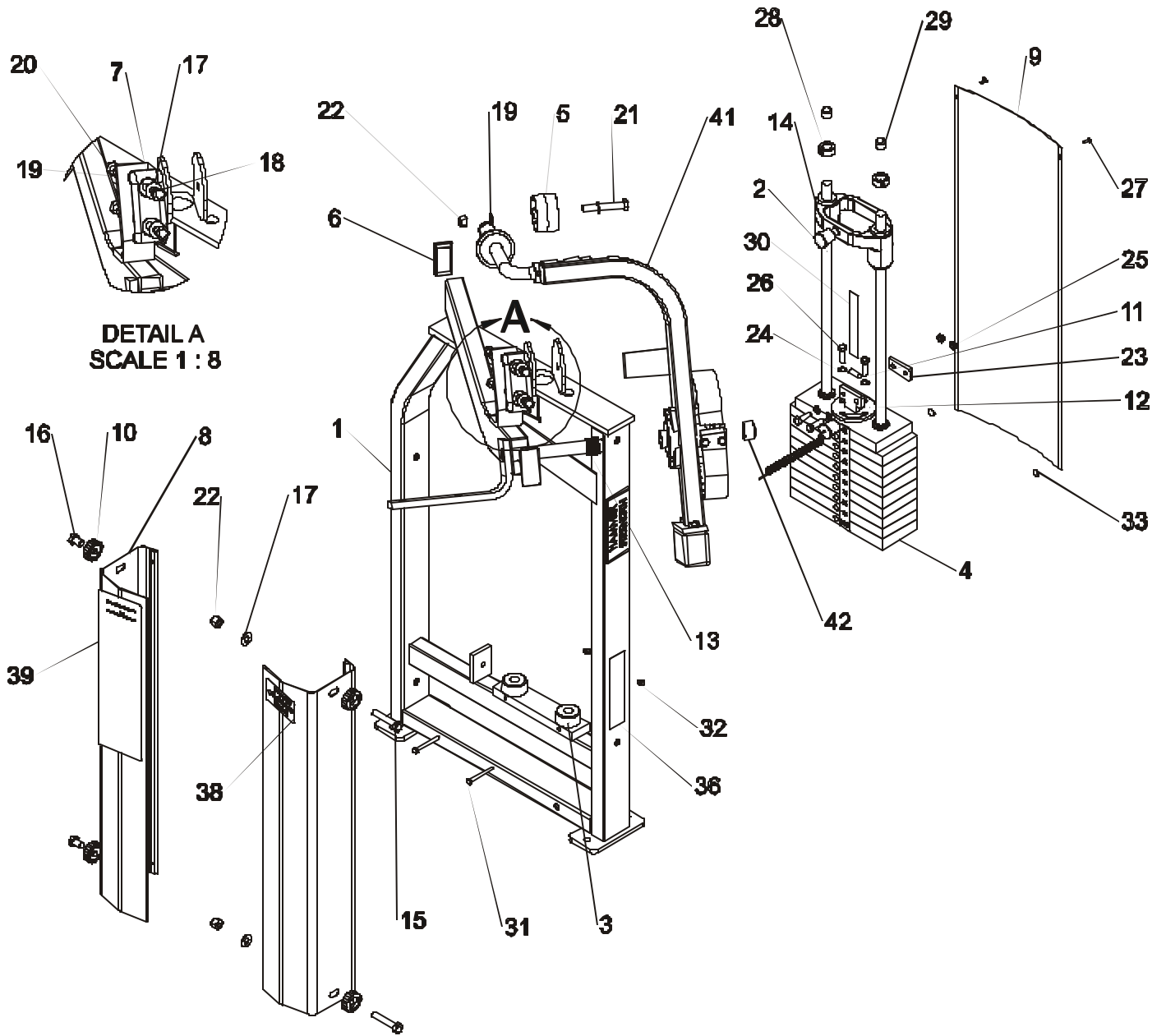
RAMSEY MTSTE TRICEP EXTENSION COMPONENT ASSEMBLY



ITEM NO.	QTY.	PART NO.	DESCRIPTION	ITEM NO.	QTY.	PART NO.	DESCRIPTION
1	1	7436701	WLDMT, MTTE, BACK FRAME	11	2	3239317	1/2-13 X 4.25 UNS HEX FHB G5 ZN
2	1	7454001	ASSY, MTTE, R SIDE FRAME	12	2	0017-00042-1045	1.875 X 9.25 FRAME GUARD
3	1	7454101	ASSY, MTTE, L SIDE FRAME	13	1	M051-00299-A000	HAMMER PATENT DECAL
4	4	7434001	WASHER, MTS, HAMMER HEAD	14	2	7500701	PAD, 9-1/2 X 6-1/2
5	6	3239311	1/2-13 X 2.75 UNS HEX FHB G5 ZN	15	1	7501001	PAD, 15 X 7-3/4
6	1	7452101	WLDMT, MTTE, BASE FRAME	16	10	3236601	WASHER, 3/8 SAE SS
7	1	7453801	ASSY, MTTE SEAT FRAME	17	8	3236204	SCREW, M10 X1.5 35MM
8	2	3239306	1/2-13 X 1.50 UNS HEX FHB G5 ZN	18	2	3236210	SCREW, M10 X1.5 65MM
9	16	3239505	WSH, .500 IN-D ST ZN	19	5	7388201	Footpad, PS Rubber
10	10	3102801	NUT, NYLOCK	20	1	7398901	PAD, SEAT 13-1/4 X 8-1/4

RAMSEY MTSTE TRICEP EXTENSION

RIGHT SIDE ASSEMBLY



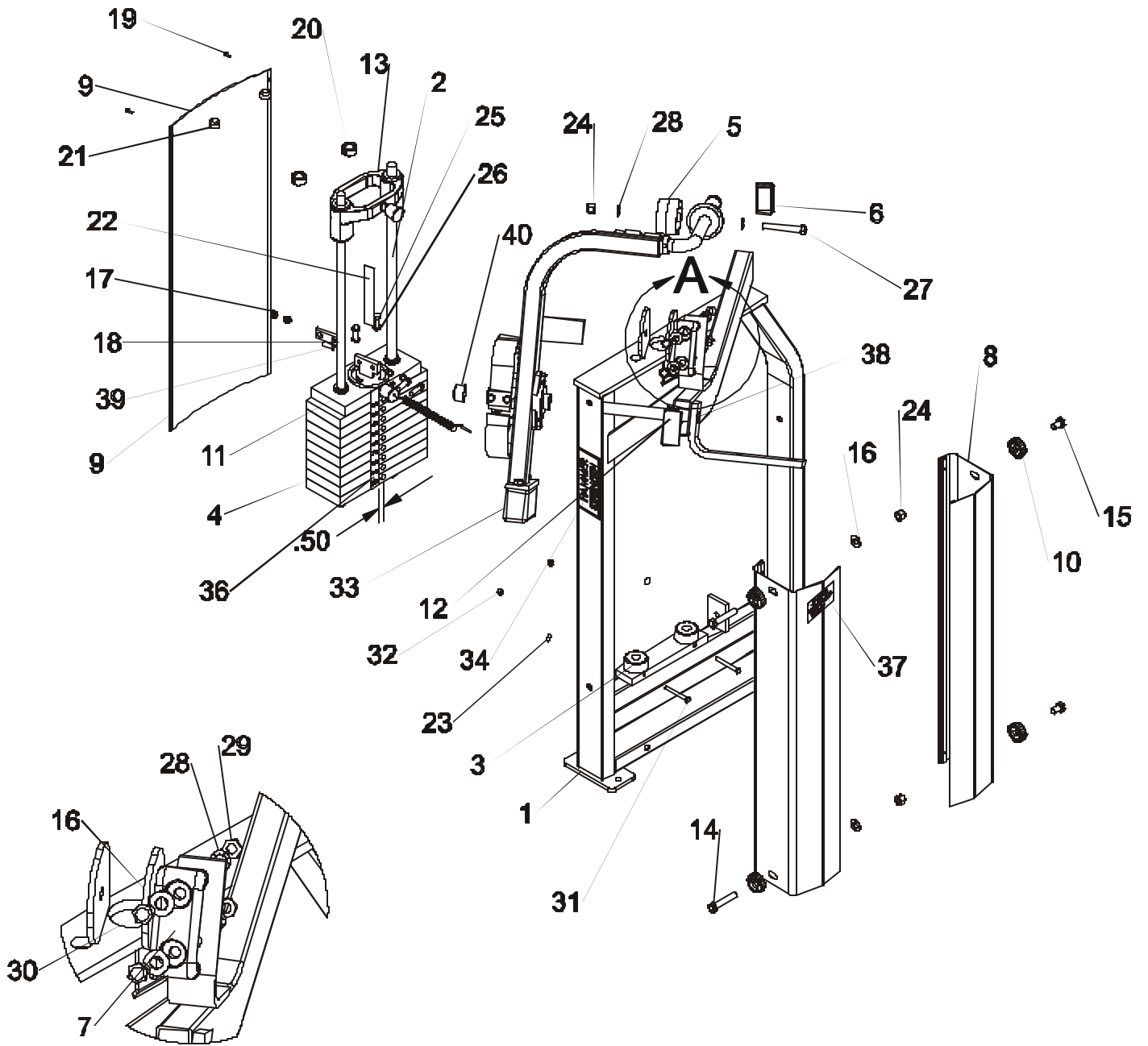
RAMSEY MTSTE TRICEP EXTENSION

RIGHT SIDE ASSEMBLY CALLOUTS

ITEM NO	QTY.	PART NO.	DESCRIPTION
1	1	7437101	WLDMT, MTTE,R SIDE FRAME
2	2	7328608	GUIDE ROD, .75 OD SOLID
3	2	7352101	CUSHION, WEIGHT STACK
4	1	7430001	ASSY, MTS, 100 LB STACK
5	1	7594601	PULLEY, MTS, 3" BELT
6	2	7477401	CAP. END, 1-1/2 X 3, 11GA SGRY
7	1	7352001	BUMPER, 2-1/8 X 4-5/8
8	2	7465101	SHROUD, MTS, SIDE 31.25" SGRY
9	1	7435601	PANEL, MTS, PLASTIC 31.25"
10	4	7434001	WASHER, MTS, HAMMER HEAD
11	1	7435101	SHAFT, 3/8" DIA SS, BELT WRAP
12	1	7434895	WLDMT, MTS, BELT ATTACH
13	1	6912807	SLEEVE, ACCRDN 1.0 ID X 1
14	1	7459901	ASSY, MTS, INCREMENT WEIGHT
15	2	3239310	1/2-13 X2.50 UNS HEX FHB G5 ZN
16	2	3239303	1/2-13 X .75 UNS HEX FHB G5 ZN
17	4	3102507	WASHER, TYPE A PLAIN
18	2	3239306	1/2-13 X 1.50 UNS HEX FHB G5 ZN
19	4	3239505	WSH, .500 IN-D ST ZN
20	2	3102804	NUT, NYLOCK
21	1	3239313	1/2-13 X 3.25 UNS HEX FHB G5 ZN
22	3	3102801	NUT, NYLOCK
23	1	7435295	PLATE, MTS, BELT CLAMP
24	4	3239503	WSH, .375 IN-D ST ZN
25	2	3102807	NUT, NYLOCK 3/8-16 LOW HT
26	4	3223302	3/8-16 X 16 HEX HEAD BOLT
27	2	0017-00101-1587	SHIELD RIVET
28	2	3103301	SHAFT COLLAR, 3/4 I.D. ZINC
29	2	3242701	CAP, END, .75 X .50. RD, BLACK
30	1	7435701	BELT, SPOOLED, W15/16, T.09
31	2	3223809	1/4-20 UNS HEX FHB G5 ZN
32	2	3102806	NUT, NYLOCK 1/4-20 ZN
33	2	7564101	LABEL, MTS, .625 DIA HOLE COVER
34	1	M051-00289-A000	HAMMER STRENGTH NAME PLATE
35	1	7422003	LABEL, MOVING PARTS
36	1	7422004	LABEL, 2" ASTM WARN
37	1	M051-00443-A000	WEIGHT STACK NUMBER STRIP
38	1	M051-00298-A000	INCREMENT WT. DECAL (LEFT)
39	1	M051-00451-A000	MTTE INSTRUCTIONAL DECAL
40	1	7488701	LABEL, AXIS OF ROTATION
41	1	7454301	ASSY, MTTE, R MOVEMENT ARM
42	1	3244901	CAP, END, 1.187" X .750" RD, BLACK VINYL

RAMSEY MTSTE TRICEP EXTENSION

LEFT SIDE FRAME ASSEMBLY



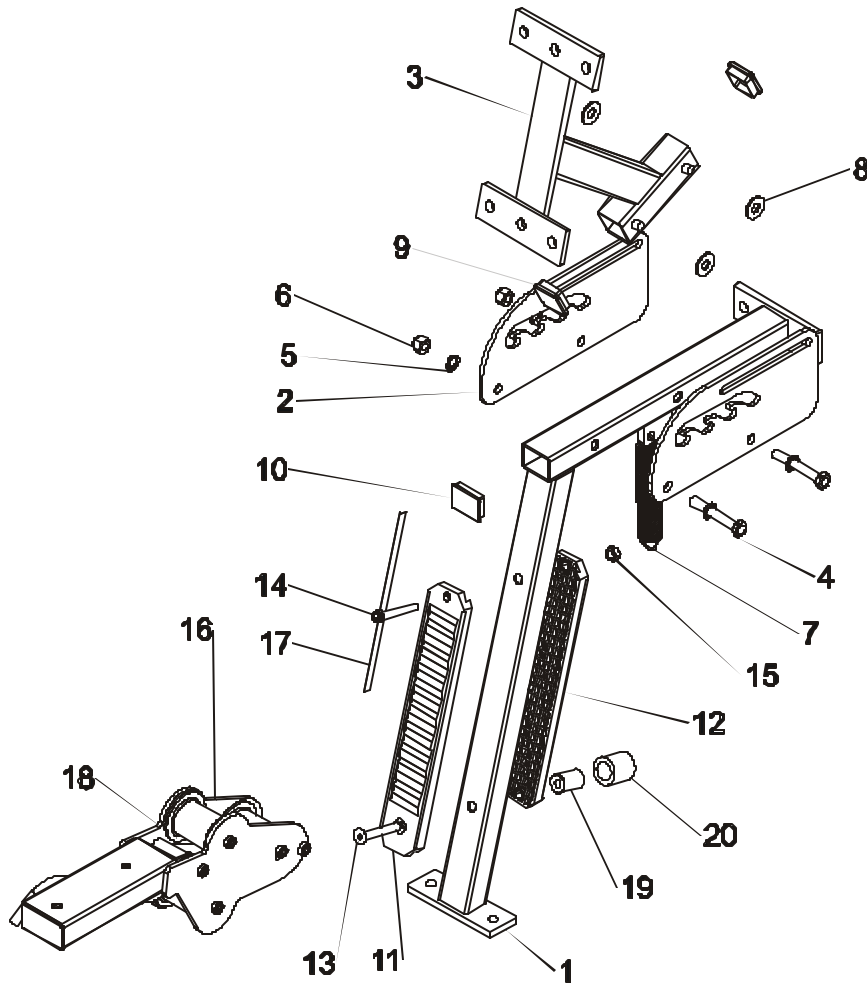
DETAIL A

RAMSEY MTSTE TRICEP EXTENSION

LEFT SIDE FRAME ASSEMBLY CALLOUTS

ITEM NO	QTY	PART NO.	DESCRIPTION
1	1	7437901	WLDMT, MTTE, L SIDE FRAME
2	2	7328608	GUIDE ROD, .75 OD SOLID
3	2	7352101	CUSHION, WEIGHT STACK
4	1	7430001	ASSY, MTS, 100 LB STACK
5	1	7594601	PULLEY, MTS, 3" BELT
6	2	7477401	CAP. END, 1-1/2 X 3, 11GA SGRY
7	1	7352001	BUMPER, 2-1/8 X 4-5/8
8	2	7465101	SHROUD, MTS, SIDE 31.25" SGRY
9	1	7435601	PANEL, MTS, PLASTIC 31.25"
10	4	7434001	WASHER, MTS, HAMMER HEAD
11	1	7436595	WLDMT, MTS, BELT ATTACH LH
12	1	6912807	SLEEVE, ACCRDN 1.0 ID X 1
13	1	7459901	ASSY, MTS, INCREMENT WEIGHT
14	2	3239310	1/2-13 X2.50 UNS HEX FHB G5 ZN
15	2	3239303	1/2-13 X .75 UNS HEX FHB G5 ZN
16	4	3102507	WASHER, TYPE A PLAIN
17	2	3102807	NUT, NYLOCK 3/8-16 LOW HT
18	1	7435295	PLATE, MTS, BELT CLAMP
19	2	0017-00101-1587	SHIELD RIVET
20	2	3103301	SHAFT COLLAR, 3/4 I.D. ZINC
21	2	3242701	CAP, END, .75 X .50. RD, BLACK
22	1	7435701	BELT, SPOOLED, W15/16, T.09
23	2	7564101	LABEL, MTS, .625 DIA HOLE COVER
24	3	3102801	NUT, NYLOCK
25	4	3223302	3/8-16 X 16 HEX HEAD BOLT
26	4	3239503	WSH, .375 IN-D ST ZN
27	1	3239313	1/2-13 X 3.25 UNS HEX FHB G5 ZN
28	4	3239505	WSH, .500 IN-D ST ZN
29	2	3102804	NUT, NYLOCK
30	2	3239306	1/2-13 X 1.50 UNS HEX FHB G5 ZN
31	2	3223809	1/4-20 UNS HEX FHB G5 ZN
32	2	3102806	NUT, NYLOCK 1/4-20 ZN
33	1	7454201	ASSY, MTTE, L MOVEMENT ARM
34	1	M051-00289-A000	HAMMER STRENGTH NAME PLATE
35	1	7422003	LABEL, MOVING PARTS
36	1	M051-00443-A000	WEIGHT STACK NUMBER STRIP
37	1	M051-00297-A000	INCREMENT WT. DECAL (RIGHT)
38	1	7488701	LABEL, AXIS OF ROTATION
39	1	7435101	SHAFT, 3/8" DIA SS, BELT WRAP
40	1	3244901	CAP, END, 1.187" X .750" RD, BLACK VINYL

RAMSEY MTSTE TRICEP EXTENSION SEAT FRAME ASSEMBLY



ITEM NO	QTY.	PART NO.	DESCRIPTION
1	1	7453001	WLDMT, MTTE, SEAT FRAME
2	2	7453901	PLATE, MTS, CHEST PAD STOP
3	1	7452501	WLDMT, MTS, CHEST PAD
4	2	3239313	1/2-13 X 3.25 UNS HEX FHB G5 ZN
5	4	3239505	WSH, .500 IN-D ST ZN
6	2	3102801	NUT, NYLOCK
7	1	7442601	SPRING, PRO2 ROLLER SEAT
8	4	0017-00104-0390	WASHER, FLAT, WHT NYLON
9	2	7477501	CAP, END, 1-3/4 SQ, 11GA SGRY
10	1	7477301	CAP, END, 1-1/2 X 2, 11GA SGRY
11	1	7564301	SEATRACK, ROLLER SERRATED
12	1	7564401	SEATRACK, FLAT
13	1	3238312	M10x1.5x75mm
14	1	3236211	SCREW, M10 X1.5 70MM
15	1	3236801	NUT, M10 HEX NYLOCK SS
16	1	7436401	ASSY, MTS, 97 SEAT
17	1	7422002	LABEL, SEAT ADJUST
18	1	7422001	LABEL, SEAT INST
19	1	7570601	STOP, ROLLER SEAT
20	1	3235802	GRIP, SHADOW GRAY, 1.5"