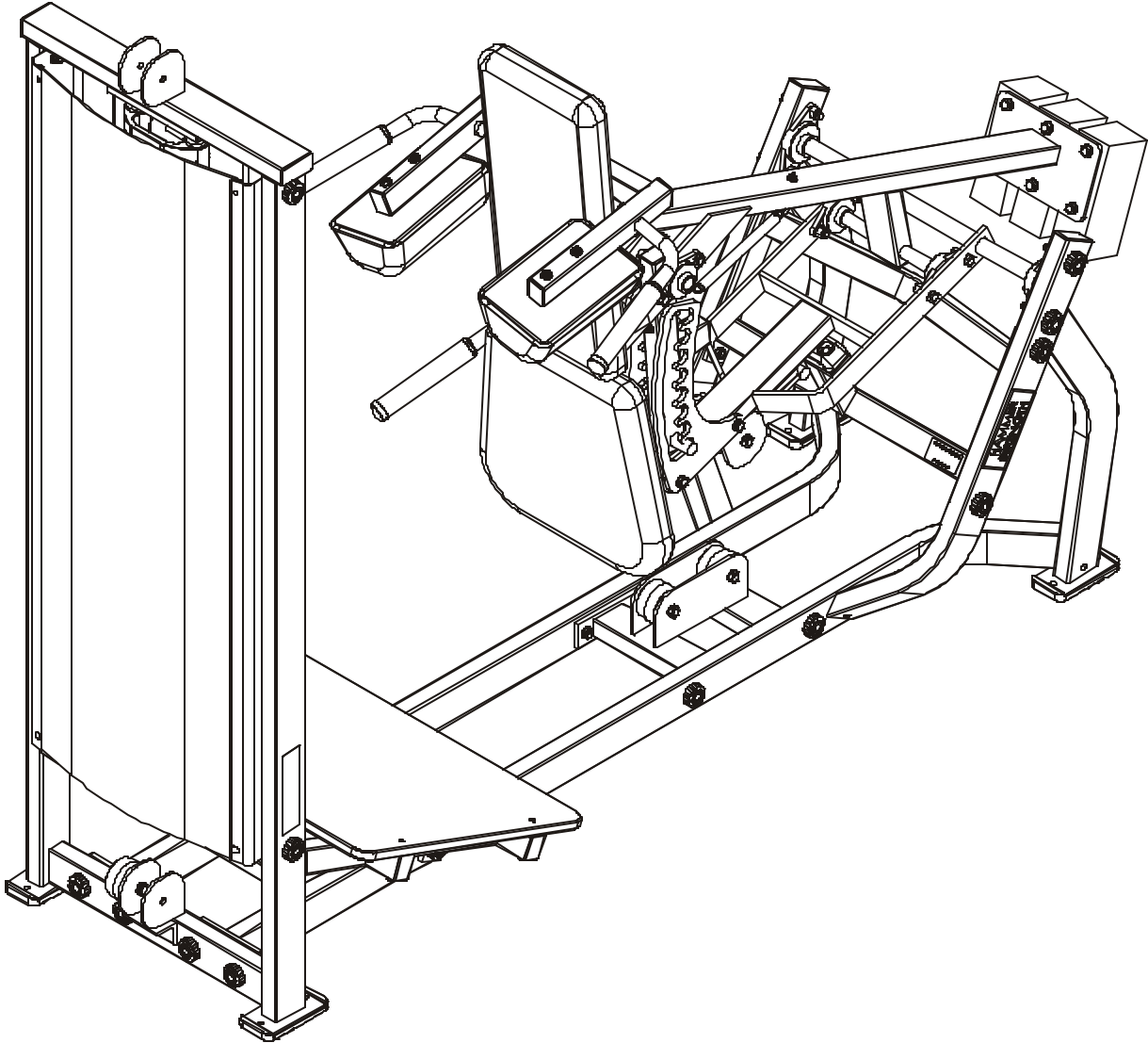


# *LifeFitness*

## RAMSEY MTSVS - MOTION TECHNOLOGY SELECTORIZED VERTICAL SQUAT



## Customer Support Services ***PARTS MANUAL***

# RAMSEY MTSVS VERTICAL SQUAT

Notes:

---

# RAMSEY MTSVS VERTICAL SQUAT

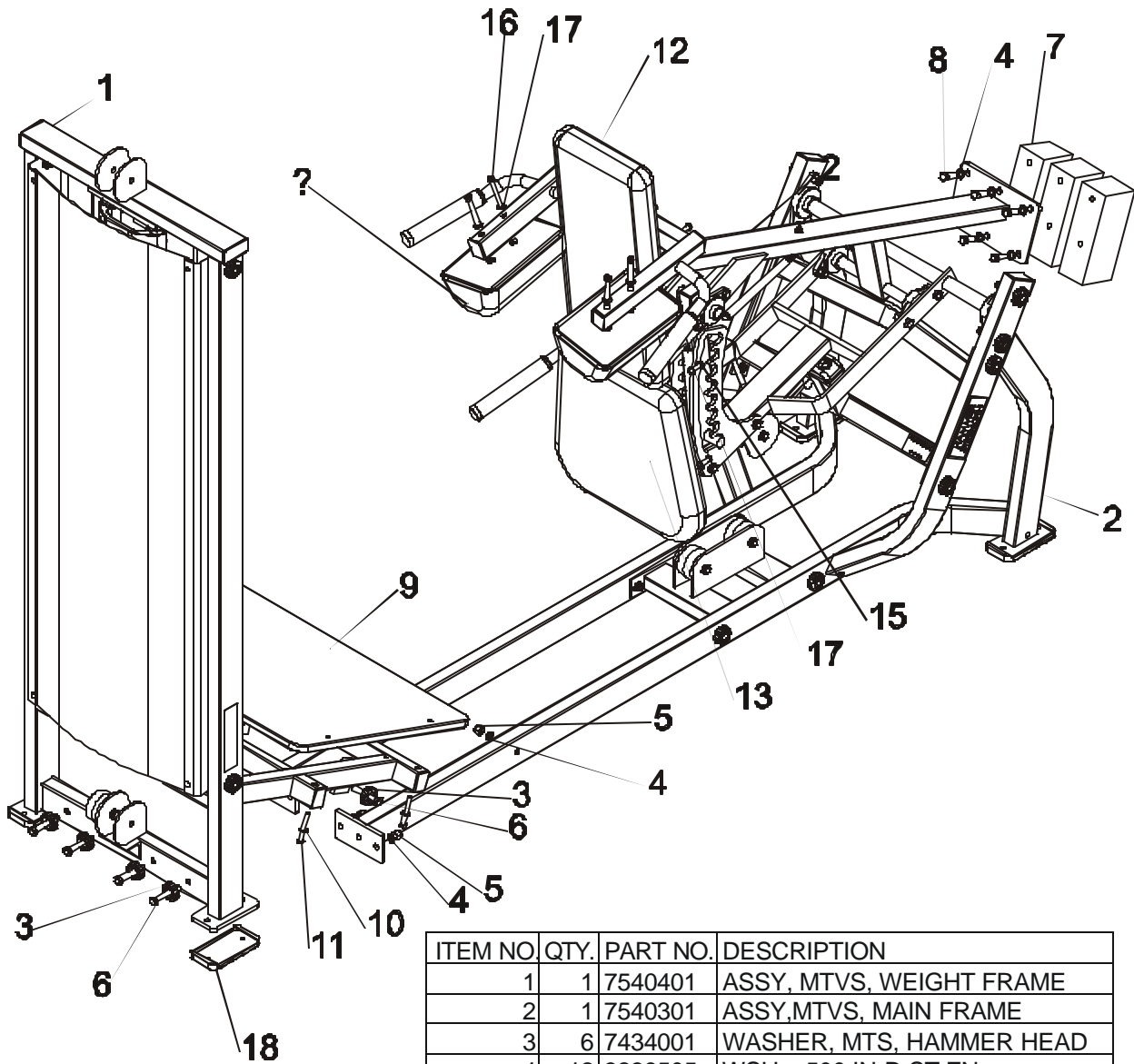
## Contents

---

	<b>PAGE</b>
<b>COMPONENT ASSEMBLY .....</b>	<b>4</b>
<b>MAIN FRAME ASSEMBLY .....</b>	<b>5</b>
<b>WEIGHT FRAME ASSEMBLY .....</b>	<b>6</b>
<b>WEIGHT STACK ASSEMBLY.....</b>	<b>7</b>

# RAMSEY MTSVS VERTICAL SQUAT

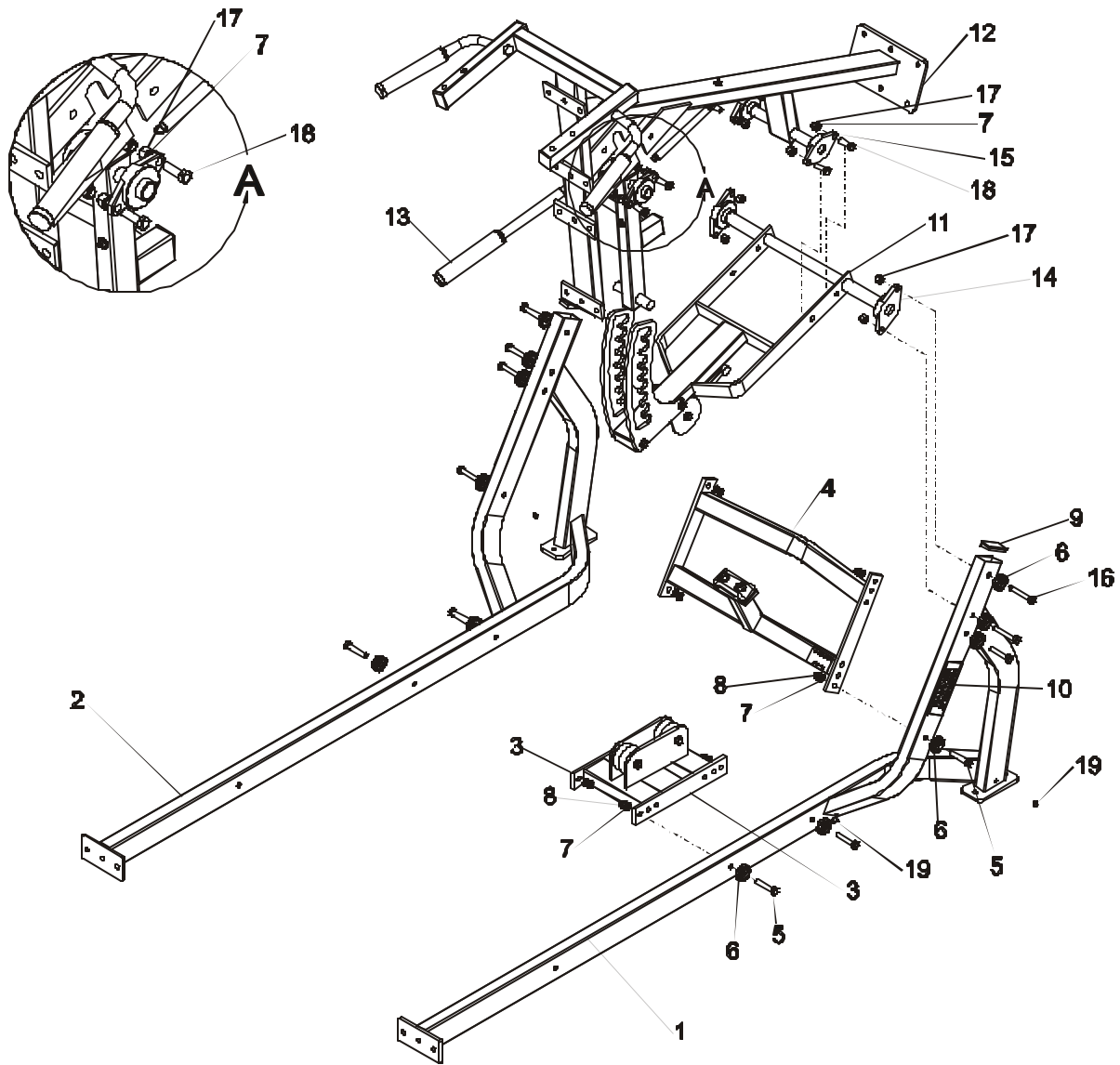
## COMPONENT ASSEMBLY



ITEM NO	QTY.	PART NO.	DESCRIPTION
1	1	7540401	ASSY, MTSVS, WEIGHT FRAME
2	1	7540301	ASSY,MTVS, MAIN FRAME
3	6	7434001	WASHER, MTS, HAMMER HEAD
4	12	3239505	WSH, .500 IN-D ST ZN
5	6	3102801	NUT, NYLOCK
6	6	3239312	1/2-13 X 3.00 UNS HEX FHB G5 ZN
7	3	7477901	COUNTERWEIGHT, MTS, DIPPED
8	6	3239305	1/2-13 X 1.25 UNS HEX FHB G5 ZN
9	1	7571401	FOOT PLATE, MTSVS, 31 X 23-7/8
10	4	3102514	WASHER, TYPE A PLAIN
11	4	3223308	3/8-16 X 44 HEX HEAD BOLT
12	1	7398801	PAD, BACK 25 X 11-1/4
13	1	7562801	PAD, SEAT 17 X 17-3/4
14	2	7562901	PAD, SHOULDER 7-1/2 X 11
15	8	3236204	SCREW, M10 X1.5 35MM
16	4	3236212	SCREW, M10 X1.5 75MM
17	12	3236601	WASHER, 3/8 SAE SS
18	4	7388201	Footpad, PS Rubber

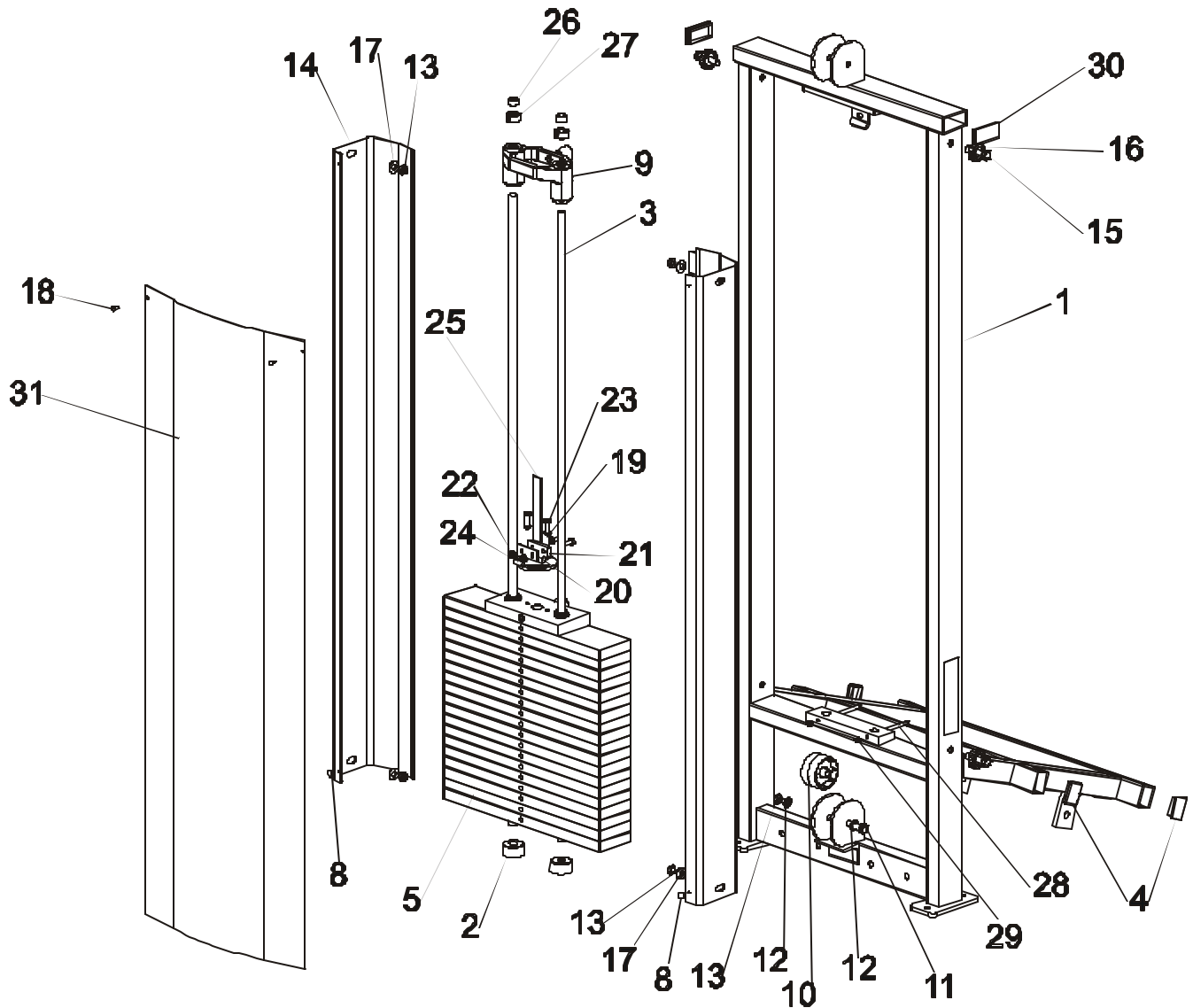
# RAMSEY MTSVS VERTICAL SQUAT

## MAIN FRAME ASSEMBLY



ITEM NO.	QTY.	PART NO.	DESCRIPTION
1	1	7534401	WLDMT, MTSV, LEFT FRAME
2	1	7534501	WLDMT, MTSV, RIGHT FRAME
3	1	7540801	ASSY,MTVS, LOWER PULLEY
4	1	7540901	ASSY,MTVS,BACK FRAME
5	8	3239310	1/2-13 X2.50 UNS HEX FHB G5 ZN
6	12	7434001	WASHER, MTS, HAMMER HEAD
7	16	3239505	WSH, .500 IN-D ST ZN
8	8	3102804	NUT, NYLOCK
9	2	7477401	CAP. END, 1-1/2 X 3, 11GA SGRY
10	2	M051-00289-A000	HAMMER STRENGTH NAME PLATE
11	1	7540701	ASSY,MTVS, M-ARM
12	1	7540501	ASSY,MTVS, CARRIAGE
13	1	7540601	ASSY,MTVS, ADJ. HANDLE
14	2	3244501	BEARING, 2 HOLE FLANGE, 1.25" ID
15	2	3239901	BEARING, 2 HOLE FLANGE, 1" ID
16	4	3239312	1/2-13 X 3.00 UNS HEX FHB G5 ZN
17	12	3102801	NUT, NYLOCK
18	8	3239306	1/2-13 X 1.50 UNS HEX FHB G5 ZN
19	4	3237401	PLUG, 7/16" HOLE

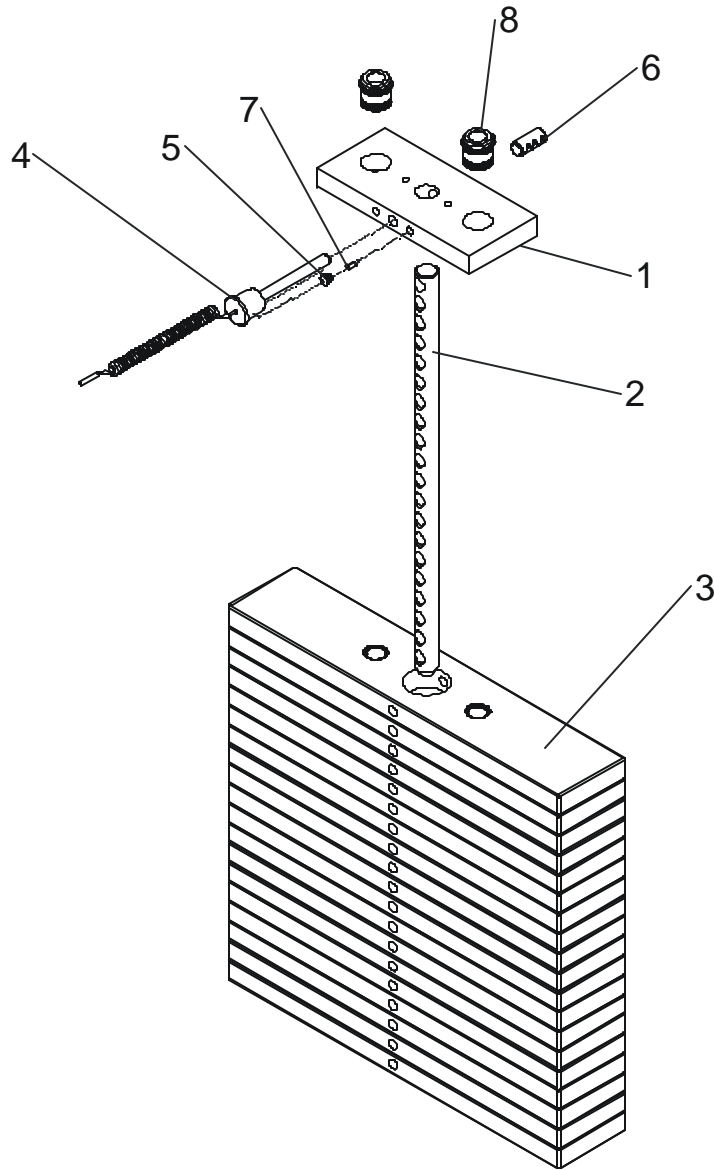
# RAMSEY MTSVS VERTICAL SQUAT WEIGHT FRAME ASSEMBLY



ITEM NO.	QTY.	PART NO.	DESCRIPTION	ITEM NO.	QTY.	PART NO.	DESCRIPTION
1	1	7613601	WLDMT. MTSVS. WT. FRAME	17	4	3102507	WASHER, TYPE A PLAIN
2	2	7352101	CUSHION, WEIGHT STACK	18	2	0017-00101-1587	SHIELD RIVET
3	2	7328615	GUIDE ROD, .75 OD SOLID 59.13	19	4	3239503	WSH. .375 IN-D ST ZN
4	4	7477301	CAP, END, 1-1/2 X 2, 11GA SGRY	20	1	7435295	PLATE, MTS. BELT CLAMP
5	1	7480801	ASSY, MTS, 390 LB STACK	21	1	7434895	WLDMT. MTS. BELT ATTACH
6	1	7422004	LABEL, 2" ASTM WARN	22	2	3102807	NUT, NYLOCK 3/8-16 LOW HT
7	1	M051-00297-A000	INCREMENT WT. DECAL (RIGHT)	23	4	3223302	3/8-16 X 16 HEX HEAD BOLT
8	2	7564101	LABEL, MTS. .625 DIA F-C E COVER	24	1	7435101	SHAFT, 3/8" DIA SS. BELT WRAP
9	1	7459901	ASSY, MTS, INCREMENT WEIGHT	25	1	7435701	BELT, SPOOLED, W15/16, T.09
10	2	7594601	PULLEY, MTS, 3" BELT	26	2	3242701	CAP. END, .75 X .50, RD. BLACK
11	2	3239312	1/2-13 X 3.00 UNS HEX FHB G5 ZN	27	2	3103301	SHAFT COLLAR, 3/4 I.D. ZINC
12	4	3239505	WSH, .500 IN-D ST ZN	28	2	3223809	1/4-20 UNS HEX FHB G5 ZN
13	6	3102804	NUT, NYLOCK	29	2	3102806	NUT, NYLOCK 1/4-20 ZN
14	2	7465105	SHROUD, MTS. SIDE 55.00" SGRY	30	2	7477401	CAP. END, 1-1/2 X 3, 11GA SGRY
15	4	3239309	1/2-13 X 2.25 UNS HEX FHB G5 ZN	31	1	7613701	PANEL, MTS, PLASTIC 20.25"
16	4	7434001	WASHER, MTS. HAMMER HEAD				

# RAMSEY MTSVS VERTICAL SQUAT WEIGHT STACK ASSEMBLY 390 lbs

---



ITEM NO.	QTY.	PART NO.	DESCRIPTION
1	1	7434401	HEAD PLATE, MTS
2	1	7480701	BAYONET, MTS, 20 HOLE
3	19	7328401	WEIGHT PLATE, 20 LB
4	1	7353001	ASSY, SELECTOR PIN
5	1	7356501	PLUG, LANYARD ATTACHMENT
6	1	3236001	BUSHING, SPRING PIN
7	1	7523601	CRIMP, CABLE
8	2	7338001	BUSHING, HEADPLATE