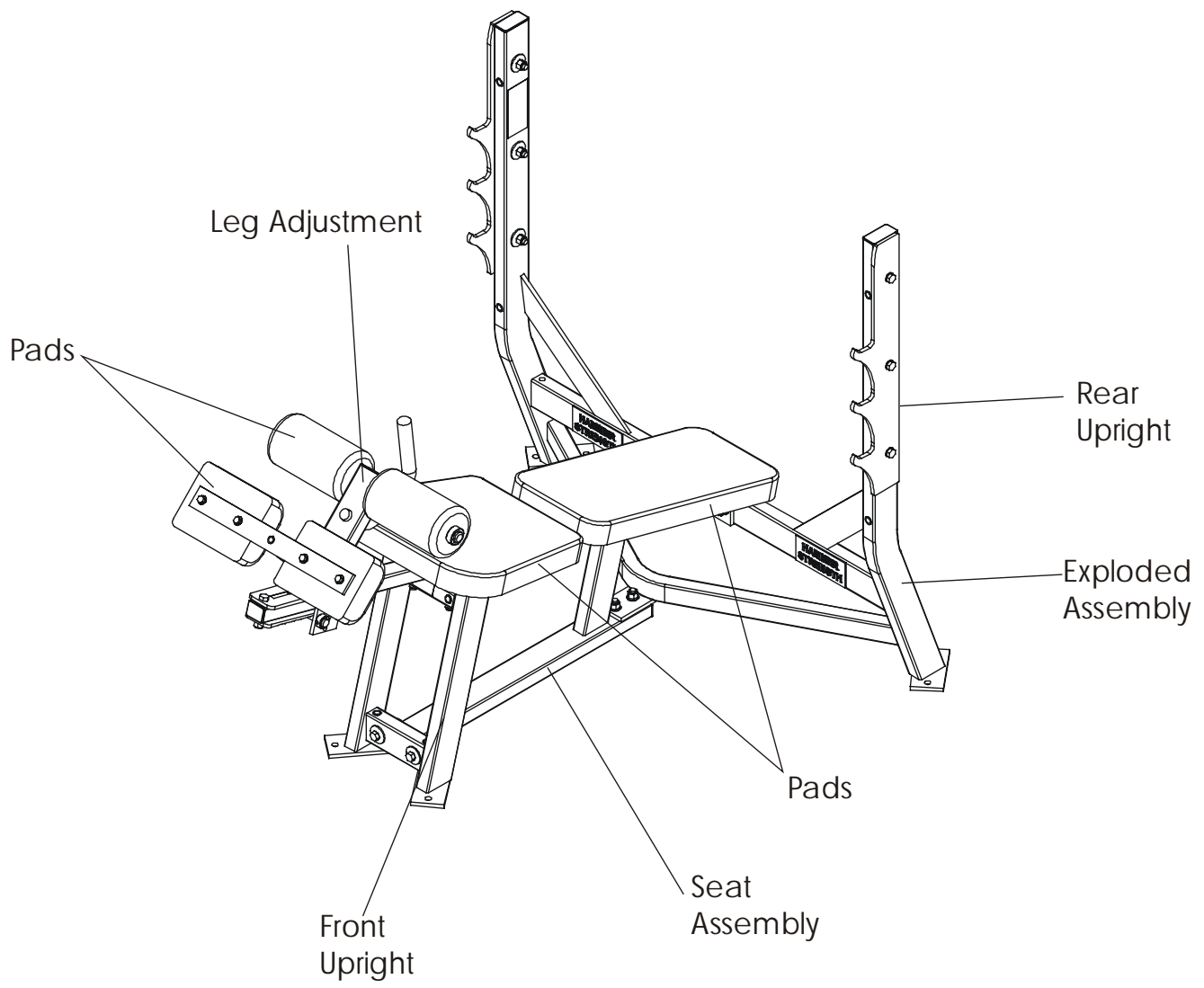


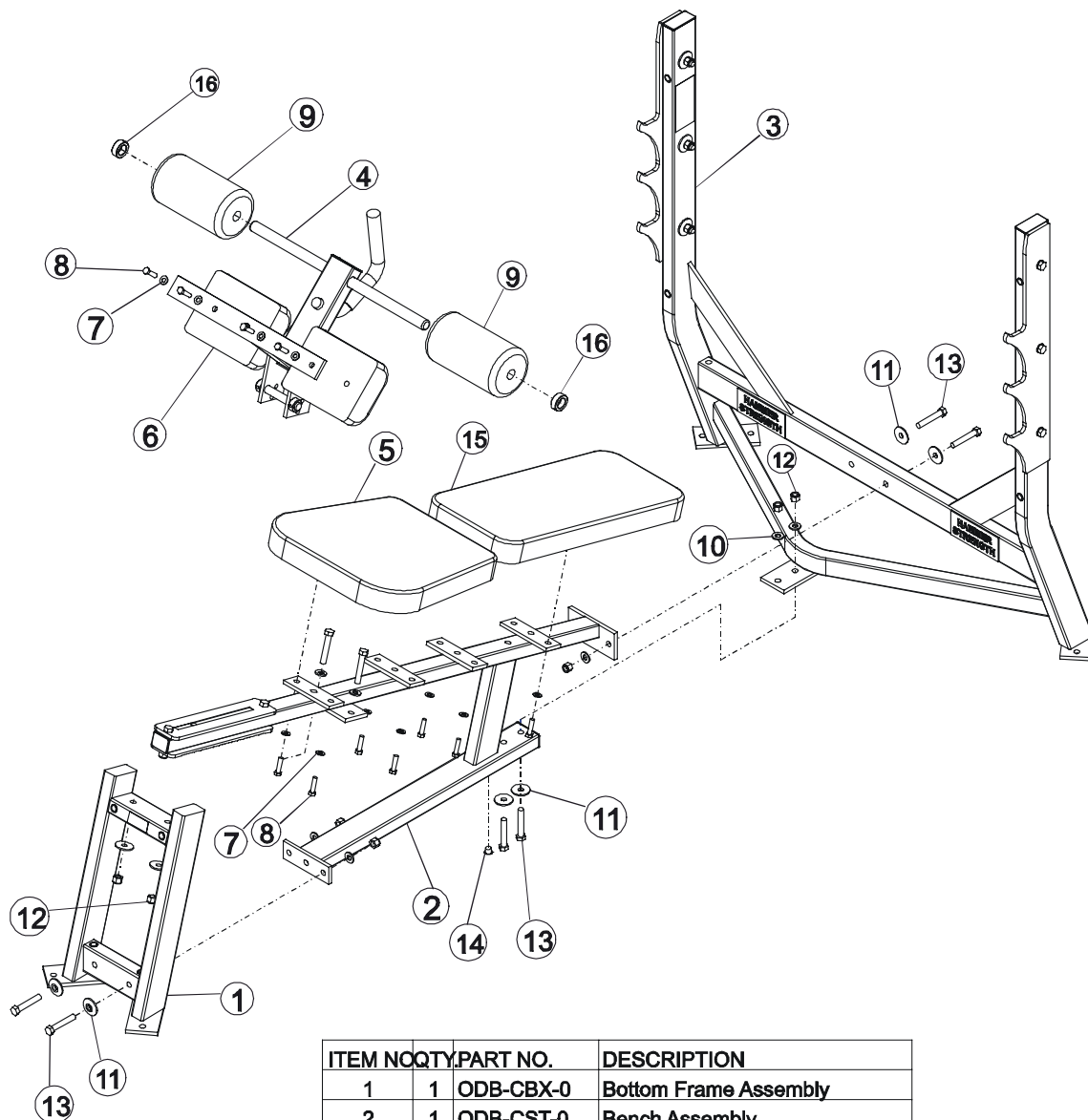
HAMMER STRENGTH EQUIPMENT

ODB - Olympic Decline Bench Assembly



HAMMER STRENGTH EQUIPMENT

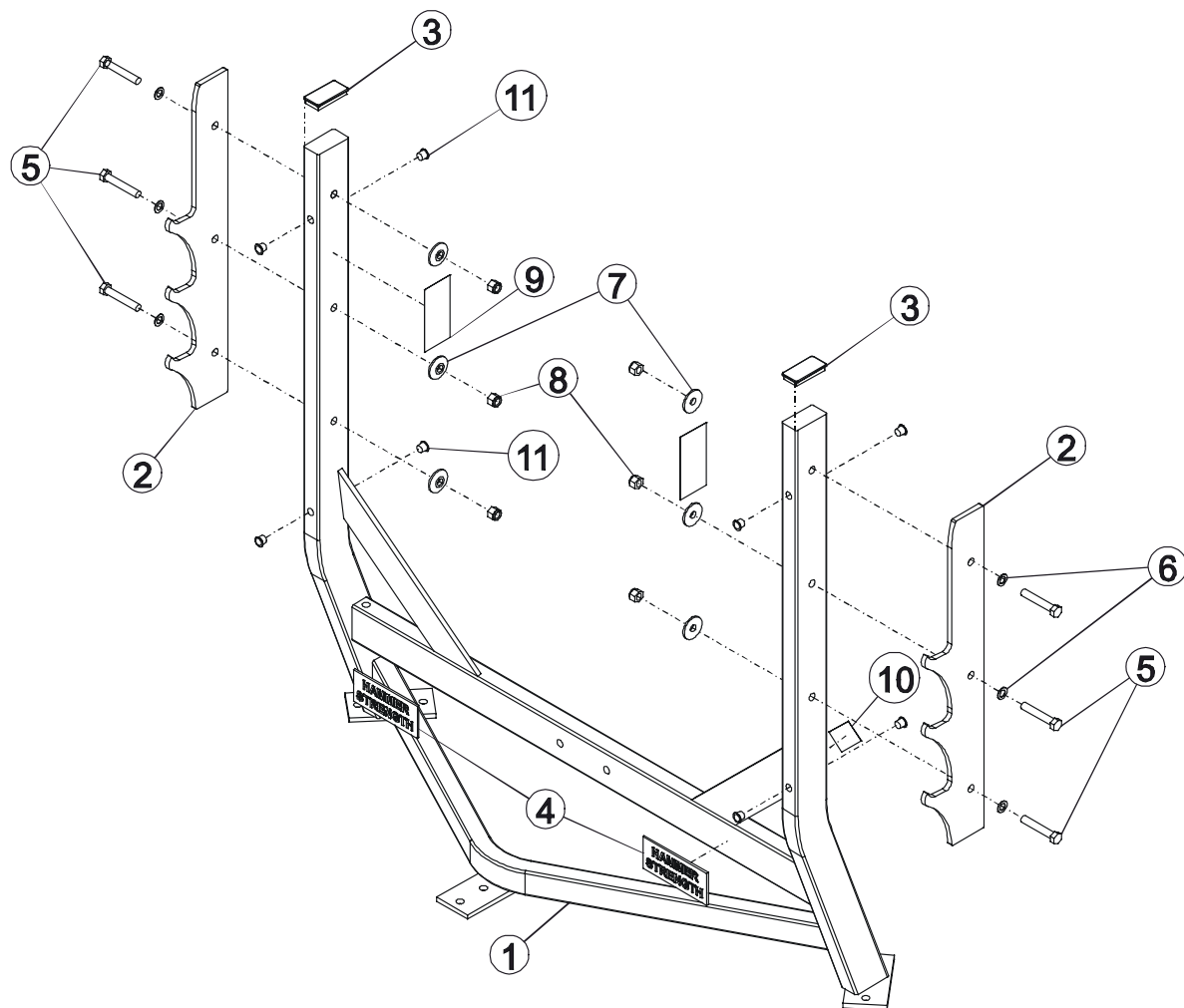
ODB - Exploded Assembly



ITEM NO	QTY.	PART NO.	DESCRIPTION
1	1	ODB-CBX-0	Bottom Frame Assembly
2	1	ODB-CST-0	Bench Assembly
3	1	ODB-CWB-0	Workbox Assembly
4	1	ODB-CAJST-0	Adjustable Restraint Assembly
5	1	U16-11	Standard 16" Pad
6	2	U8-4.5	Standard 8" Pad
7	12	WASH.375SAE	3/8" SAE Flat Washer
8	12	HHB.375X1.5	3/8 X 1 1/2 Bolt
9	2	URP-1	Roller Pad
10	8	WASH.5SAE	1/2" SAE Flat Washer
11	8	H-BACK-WASH	Backing Washer
12	8	NUT.5LOCK	1/2" Thick Lock Nut
13	8	HHB.5X3	1/2 X 3 Bolt
14	1	H-HPLUG	9/16" Hole Plug
15	1	U24-10	Standard 24" Pad
16	2	H-LCOLLAR1	3/4" Lock Collar

HAMMER STRENGTH EQUIPMENT

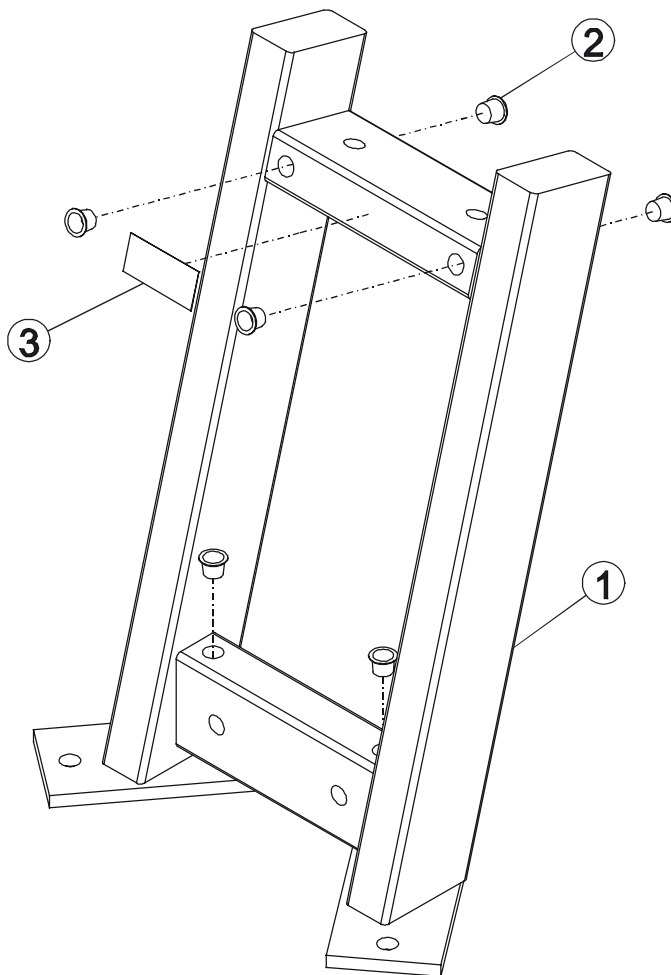
ODB – Rear Upright



ITEM NO	QTY.	PART NO.	DESCRIPTION
1	1	ODB-WB-0	Rear Upright
2	2	HGR-3-0	3 Hook Gunrack-Top
3	2	H-PEND3	1 1/2 X 3 End Cap
4	2	H-NAMEPLATE	Name Plate
5	6	HHB.5X3	1/2 X 3 Bolt
6	6	WASH.5STAR	1/2" Internal Lock Washer
7	6	H-BACK-WASH	Backing Washer
8	6	NUT.5LOCK	1/2" Thick Lock Nut
9	2	WARNING LARGE-V	Large Warning Vert.
10	1	PATENT	Patent Decal
11	8	H-HPLUG(REG)	9/16" Hole Plug

HAMMER STRENGTH EQUIPMENT

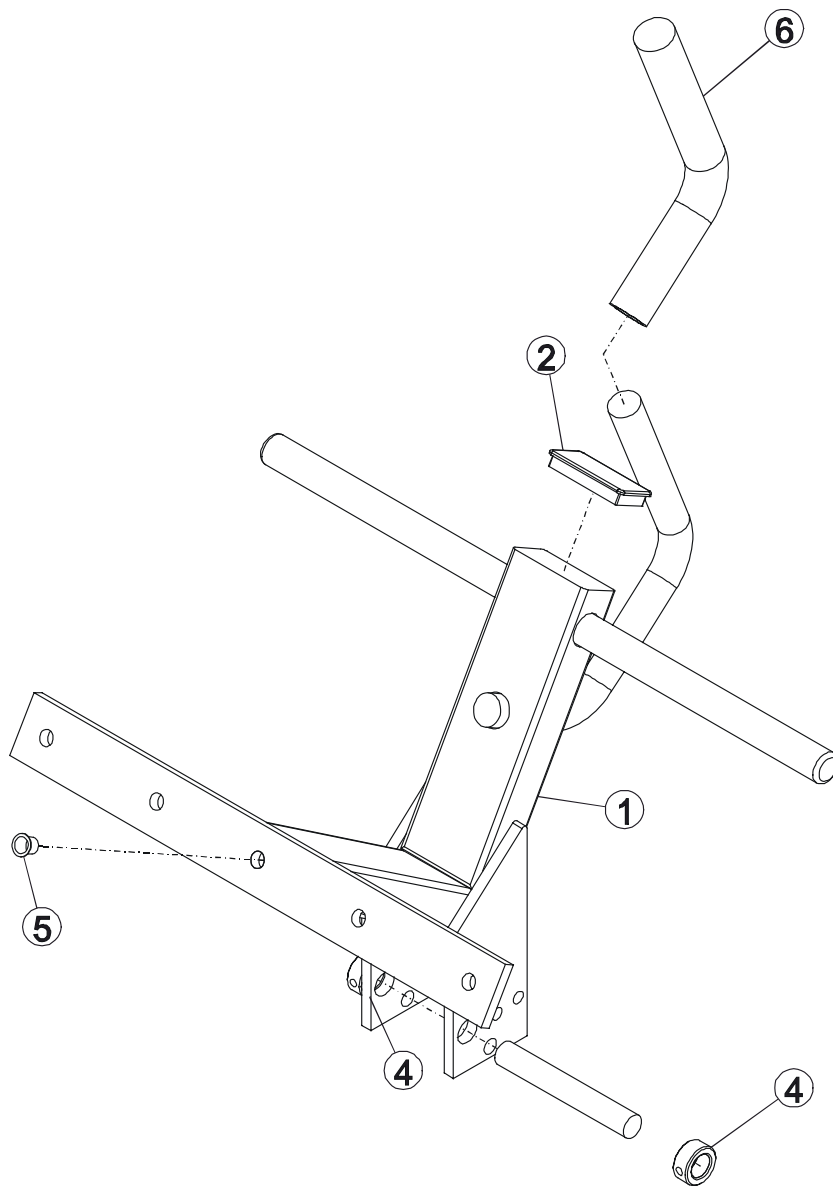
ODB – Front Upright



ITEM NO	QTY	PART NO.	DESCRIPTION
1	1	ODB-BX-0	Front Upright
2	6	H-HPLUG(REG)	9/16" Hole Plug
3	1	SERIAL NUMBER	Serial Number

HAMMER STRENGTH EQUIPMENT

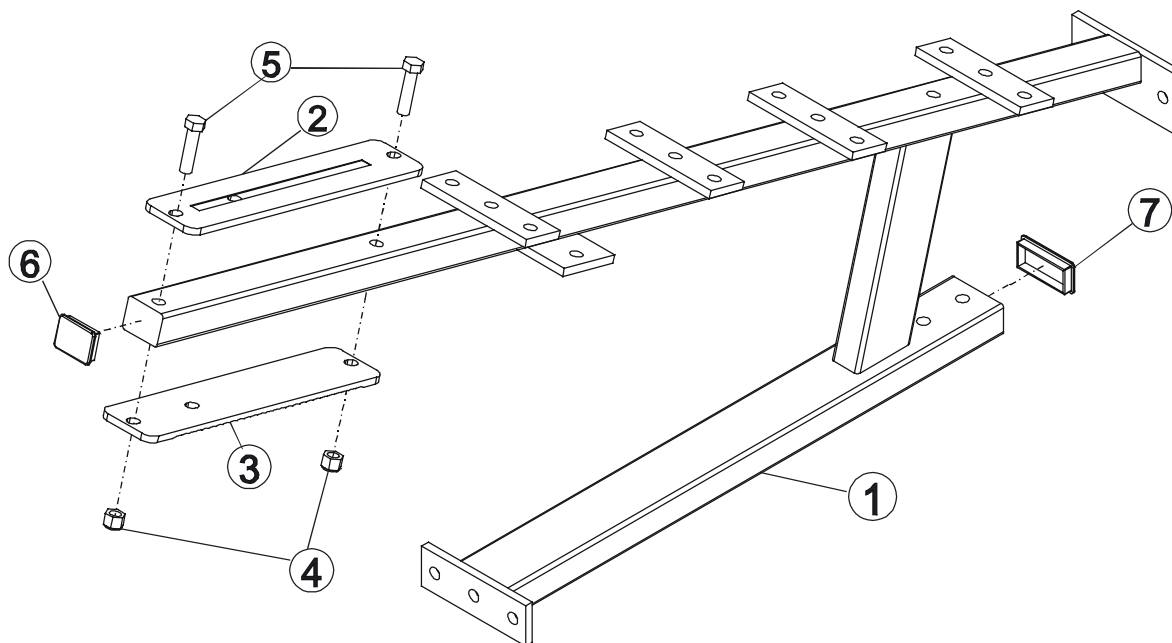
ODB – Leg Adjustment



ITEM NO	QTY	PART NO.	DESCRIPTION
1	1	ODB-AJST-0	Leg Adjustment
2	1	H-PEND3	1 1/2 X 3 End Cap
3	1	STshft	Seat Shaft
4	2	H-LCOLLAR75	3/4" Lock Collar
5	1	H-HPLUG(SMALL)	9/16" Hole Plug
6	1	H-GRIP(ODB-A00)	HandGrip

HAMMER STRENGTH EQUIPMENT

ODB – Seat Frame



ITEM NO	QTY.	PART NO.	DESCRIPTION
1	1	ODB-ST-0	Seat Frame
2	1	H-SEATRCKS	Seatrack Front
3	1	H-SEATRCKS-RIB	Seatrack Back
4	2	NUT.5LOCK	1/2" Thick Lock Nut
5	2	HHB.5X2	1/2 X 2 Bolt
6	1	H-PEND2	1 1/2 X 2 Endcap
7	1	H-PEND3	1 1/2 X 3 End Cap